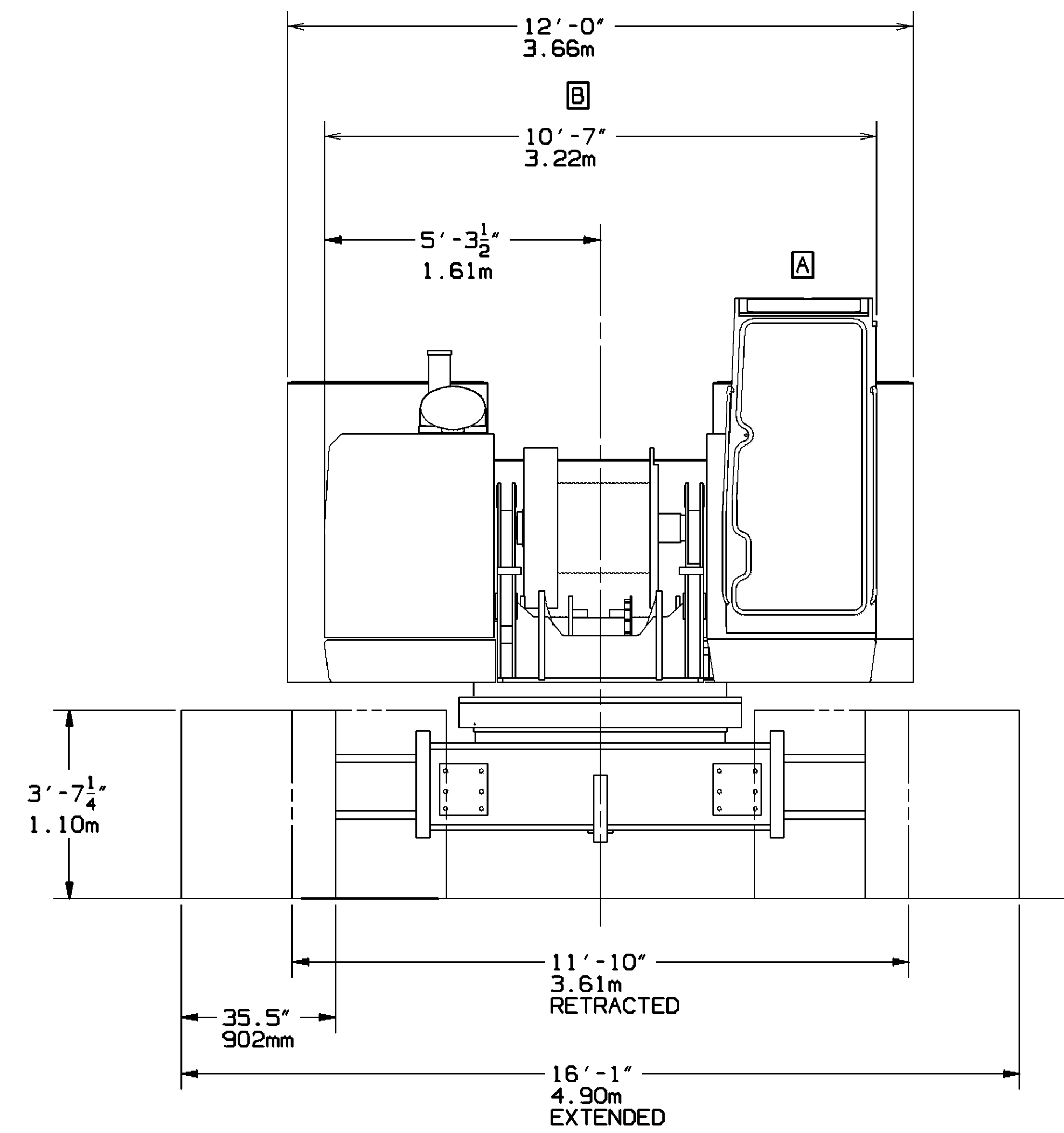
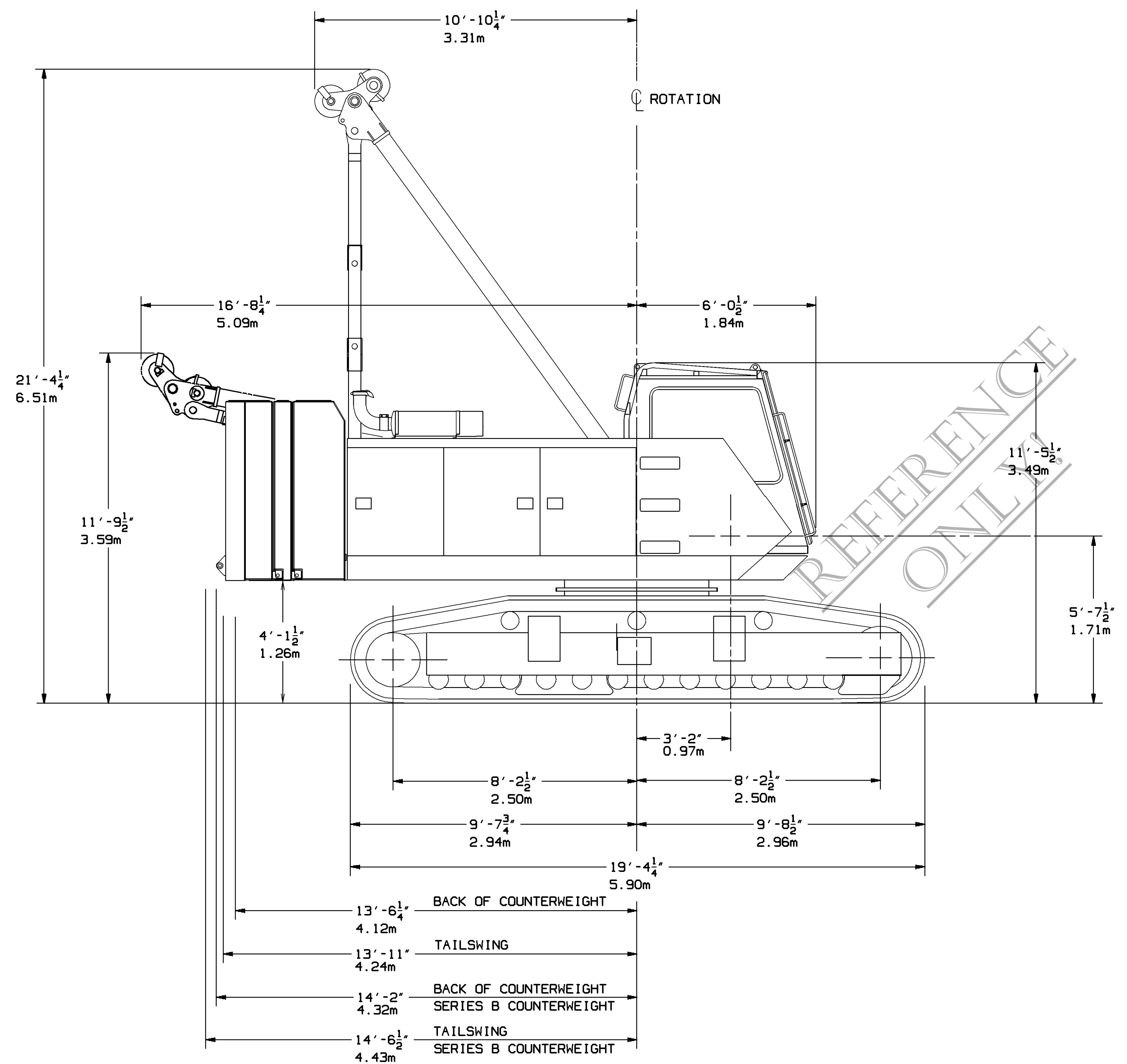


BILL OF MATERIAL					ASSEMBLIES USED ON
ITEM NO.	SECTION	DESCRIPTION	LENGTH IN.	MATERIAL	

REVISIONS
 Q3-01-00 BB
 A REPOSITION CAB
 B ADDED
 10'-7" 3.22m



REFERENCE ONLY

SCALE 1/2" = 1'	DR. NVS	DATE 01-04-00	Mantowoc Cranes, Inc. Mantowoc, Wisconsin	CRANE	
CK. MF	APP. MB	PATTERN NO.			MODEL 111
195296					195296

DO NOT SCALE THIS DRAWING