

DWG. NO.	(21)	(22)	(23)	(24)	(25)	(26)	(27)
	168735	168736	168737	276737 DWG.#75002	276738 DWG.#75002	276736 DWG.#75002	168017
BOOM LENGTH	10FT. INSERT	20FT. INSERT	30FT. INSERT	PENDANT 10 FT.	PENDANT 20 FT.	PENDANT 30 FT.	WIRE ROPE TIMBER GUARD ASSY OPTIONAL
50 FT.	10 FT. OF INSERT			10 FT. OF PENDANT SETS			1
60 FT.	20 FT. OF INSERT			20 FT. OF PENDANT SETS			1 OR 2
70 FT.	30 FT. OF INSERT			30 FT. OF PENDANT SETS			2
80 FT.	40 FT. OF INSERT			40 FT. OF PENDANT SETS			3
90 FT.	50 FT. OF INSERT			50 FT. OF PENDANT SETS			3 OR 4
100 FT.	60 FT. OF INSERT			60 FT. OF PENDANT SETS			4
110 FT.	70 FT. OF INSERT			70 FT. OF PENDANT SETS			5
120 FT.	80 FT. OF INSERT			80 FT. OF PENDANT SETS			5 OR 6
130 FT.	90 FT. OF INSERT			90 FT. OF PENDANT SETS			6
140 FT.	100 FT. OF INSERT			100 FT. OF PENDANT SETS			7
150 FT.	110 FT. OF INSERT			110 FT. OF PENDANT SETS			7 OR 8
160 FT.	120 FT. OF INSERT			120 FT. OF PENDANT SETS			8
170 FT.	130 FT. OF INSERT			130 FT. OF PENDANT SETS			9
180 FT.	140 FT. OF INSERT			140 FT. OF PENDANT SETS			9 OR 10
190 FT.	150 FT. OF INSERT			150 FT. OF PENDANT SETS			10

### BOOM HANDLING INSTRUCTIONS

TRAVEL SPEED NOT TO EXCEED 1/2 MPH WITH BOOM ANGLE AT 10° OR LESS

ATTACHMENT ARRANGEMENT	GANTRY POSITION	MAX. LENGTH OF BOOM HANDLED	BOOM MAKE UP	BOOM CONDITIONS OR LIMITATIONS	SWING ALLOWED	
					CRAWLERS RETRACTED	CRAWLERS EXTENDED
EQUALIZER PINNED TO LUGS ON BOOM BUTT	UP	61 FT.	BUTT & INSERTS ONLY	CAN CANTILEVER 40 FT. OF INSERTS.	NO*	YES
	DOWN	61 FT.	BUTT & INSERTS ONLY	CAN CANTILEVER 40 FT. OF INSERTS.	NO*	YES
PENDANTS ATTACHED TO BOOM TOP	DOWN	60 FT WITHOUT JIB	BUTT, INSERTS & TOP	LOAD BLOCK, HOOK AND WEIGHT BALL MAY BE SUSPENDED BELOW BOOM POINTS	NO*	YES

\* MACHINE MUST BE FACING FRONT OR REAR (SWING NOT ALLOWED)

#### BILL OF MATERIAL - 40 FT. BASIC BOOM

ITEM	QTY.	SECT.	DESCRIPTION	LENGTH (IN)	MATL.	WGT. (LBS.)	FNTW (LBS.)
1	4		HASHER PIN		12555	2.8	5
2	2		EQUALIZER ASSEMBLY		74079	20.4	4
3	1		PENDANT (DWG. 73025)		WM12004	422.0	3
4	2		BASIC PENDANT (21 FT 8" DIA. 75002)		276936	42.8	1
5	2		BASIC PENDANT (21 FT 8" DIA. 75002)		277314	236.7	1
6	4		SNAP PIN		563623	1.2	4
7	1		BOOM TOP ASSY		WM11960	2155.0	1
8	1		BOOM BUTT ASSY		WM11939	1724.0	1
9	1		BOOM STOP ASSY		WM12307	1024.0	1
10	1		GANTRY ASSEMBLY		WM11184	2404.0	1
TOTAL WT. OF THIS B/M						8032.9	

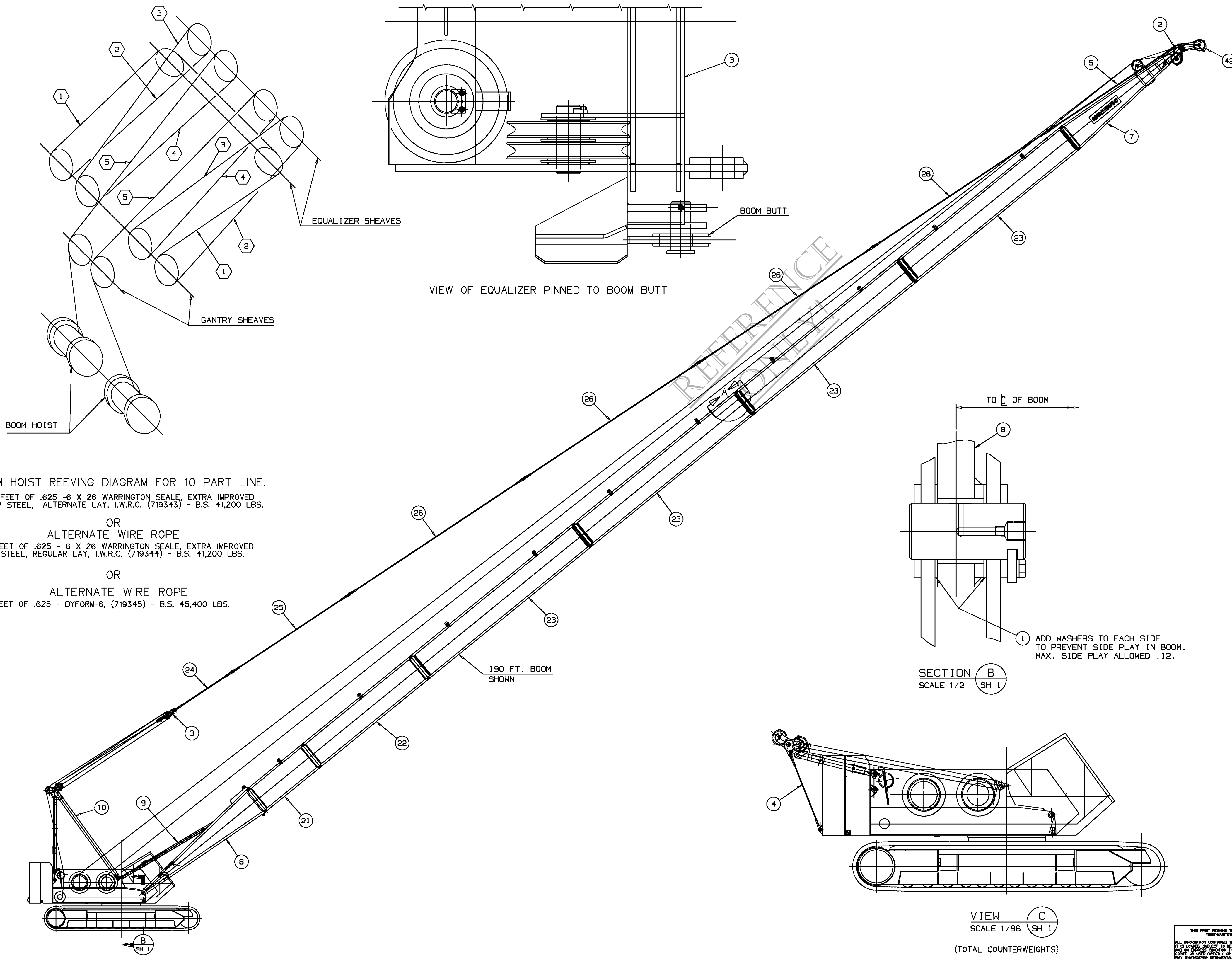
#### BILL OF MATERIAL - ADDITIONS FOR LONGER BOOM LENGTHS

ITEM	QTY.	SECT.	DESCRIPTION	LENGTH (IN)	MATL.	WGT. (LBS.)	FNTW (LBS.)
21	AR		10 FT INSERT		WM12007	629.0	8
22	AR		20 FT INSERT		WM12008	1123.0	8
23	AR		30 FT INSERT		WM12009	1534.0	8
24	AR		10 FT PENDANT		276737	86.0	8
25	AR		20 FT PENDANT		276738	120.0	8
26	AR		30 FT PENDANT		276736	141.0	8
WT'S ARE FOR QTY. OF 1							

#### BILL OF MATERIAL - OPTIONAL PARTS

ITEM	QTY.	SECT.	DESCRIPTION	LENGTH (IN)	MATL.	WGT. (LBS.)	FNTW (LBS.)
40	AR		WIRE ROPE ROLLER GUIDE ASSY		164766	31.6	
42	1		UPPER BOOM POINT ASSEMBLY		WM11956	239.2	2
43	1		LWR. BOOM PT. SFT. ASSY. (PILE DRVG)		WM11108	632.7	2



BOOM HOIST REEVING DIAGRAM FOR 10 PART LINE.  
 430 FEET OF .625 - 6 X 26 WARRINGTON SEALE, EXTRA IMPROVED PLOW STEEL, ALTERNATE LAY, I.W.R.C. (719343) - B.S. 41,200 LBS.  
 OR  
 ALTERNATE WIRE ROPE  
 430 FEET OF .625 - 6 X 26 WARRINGTON SEALE, EXTRA IMPROVED PLOW STEEL, REGULAR LAY, I.W.R.C. (719344) - B.S. 41,200 LBS.  
 OR  
 ALTERNATE WIRE ROPE  
 430 FEET OF .625 - DYFORM-6, (719345) - B.S. 45,400 LBS.

- ① ON DWG. 75002
  - ② .875 WIRE ROPE.
  - ③ REQ'D FOR BOOM HANDLING. (SEE VIEW "A")  
THIS PENDANT IS ALSO USED FOR CTWT. HANDLING & RAISING THE GANTRY WITH 40 & 50 FT. BASIC BOOM. (SEE VIEW "C")
  - ④ USED TO REPLACE PENDANT PIN COTTER PIN FOR PENDANT 276938.
  - ⑤ QUANTITY AS REQUIRED.
  - ⑥ WEIGHT FOR 2 SHV WIRE ROPE GUIDE ASSY.
- INSERT NOTES:**
- MAXIMUM NUMBER OF 10 FT. INSERTS = 2.
  - MAXIMUM NUMBER OF 20 FT. INSERTS = 1.
  - COMBINATION OF 10 FT. AND 20 FT. INSERTS CANNOT EXCEED 2-10 FT. + 1-20 FT.
  - THE SHORTER INSERTS MUST BE CLOSEST TO THE BUTT. (10 FT. INSERTS FIRST, THEN THE 20 FT. INSERTS)
  - 70 FT. BOOM REQUIRES A 10 FT. & 20 FT. INSERT FOR DUTY CYCLE OPERATION.
- PENDANT NOTES:**
- PENDANT SETS DO NOT INCLUDE BASIC PENDANTS 277314.
  - PENDANTS FURNISHED IN SETS OF TWO.
  - MATCH LENGTHS OF PENDANT SETS TO LENGTHS OF INSERTS FURNISHED.
- GENERAL NOTES:**
- MINIMUM BOOM LENGTH REQUIRED FOR JIB = 70 FT.
  - WHEN AUX. DRUM WM11206 OR WM11175 IS USED, REFER TO RIGGING ASSY. WM11172 FOR ADDITIONAL PARTS.
  - MAXIMUM NUMBER OF SUPPORT ASSEMBLIES 168643 = 12

**RIGGING AND HANDLING NOTE**  
 WITH THE GANTRY DOWN AND THE BOOM BUTT ONLY ATTACHED TO THE MACHINE, THE BRAKE GUARD(S) WILL BE DAMAGED IF THE BUTT SECTION CENTER LINE IS NOT HORIZONTAL OR ABOVE.

SECTION B  
 SCALE 1/2  
 SH 1

VIEW C  
 SCALE 1/96  
 SH 1  
 (TOTAL COUNTERWEIGHTS)

THIS DRAWING IS THE PROPERTY OF WEST WARRINGTON, INC. ALL INFORMATION CONTAINED HEREIN IS CONFIDENTIAL AND IS LOANED SUBJECT TO RETURN UPON DEMAND. IT IS TO BE KEPT IN STRICTLY CONFIDENTIAL CONDITION AND IS NOT TO BE COPIED OR USED DIRECTLY OR INDIRECTLY IN ANY MANNER WITHOUT THE WRITTEN CONSENT OF WEST WARRINGTON, INC.	SCALE 1/84	DATE 1/84	BY J.P.C.	APP. J.P.C.	REV. 1	WARRINGTON, WISCONSIN	BOOM RIGGING ASSEMBLY	SEE ABOVE
	MODEL W-111	1.25 SWAGED PENDANTS	WM11959	2-11-97				
	REF. WM10557/168744							