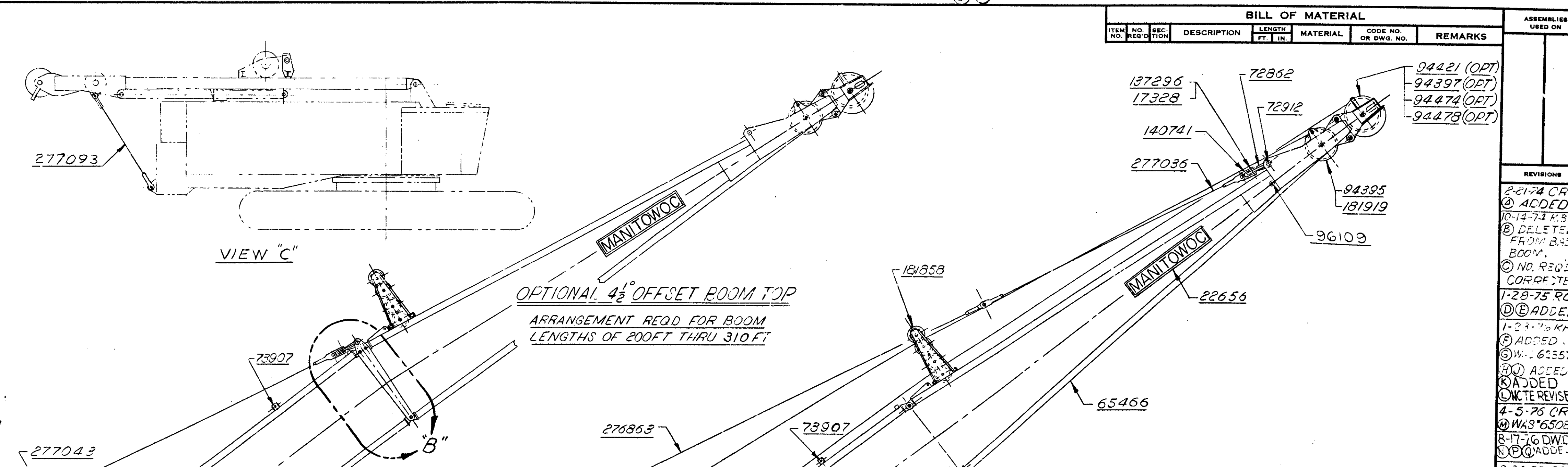


RECOMMENDED FOR VARIOUS BOOM LENGTHS

BOOM LENGTH	10 FT INSERT	20 FT INSERT	40 FT INSERT	10 FT PENDANT	20 FT PENDANT	40 FT PENDANT
90	1	0	0	0	0	0
100	1	0	0	0	0	0
110	1	0	0	0	0	0
120	1	0	0	0	0	0
130	1	0	0	0	0	0
140	1	0	0	0	0	0
150	1	0	0	0	0	0
160	1	0	0	0	0	0
170	1	0	0	0	0	0
180	1	0	0	0	0	0
190	1	0	0	0	0	0
200	1	0	0	0	0	0
210	1	0	0	0	0	0
220	1	0	0	0	0	0
230	1	0	0	0	0	0
240	1	0	0	0	0	0
250	1	0	0	0	0	0
260	1	0	0	0	0	0
270	1	0	0	0	0	0
280	1	0	0	0	0	0
290	1	0	0	0	0	0
300	1	0	0	0	0	0
310	1	0	0	0	0	0

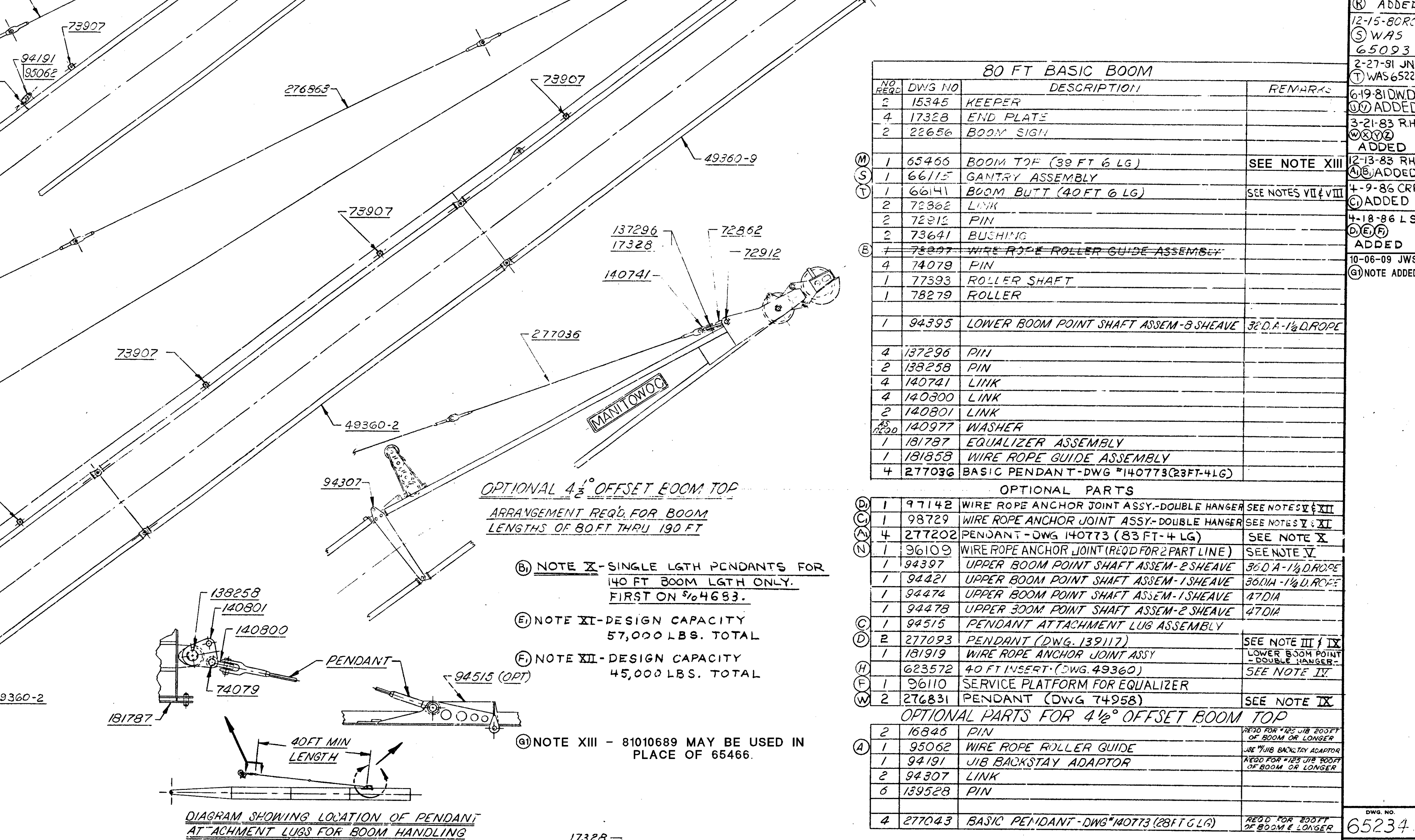
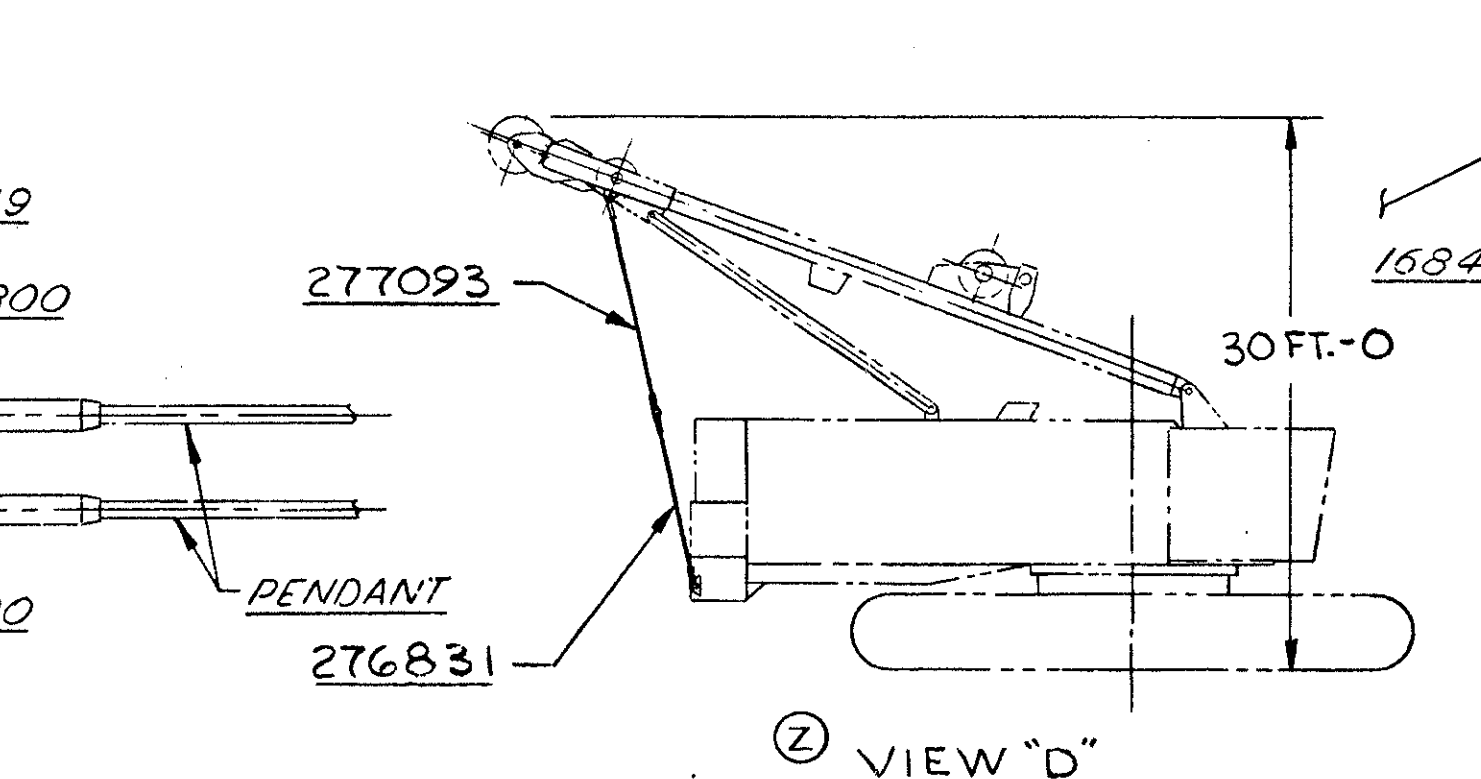
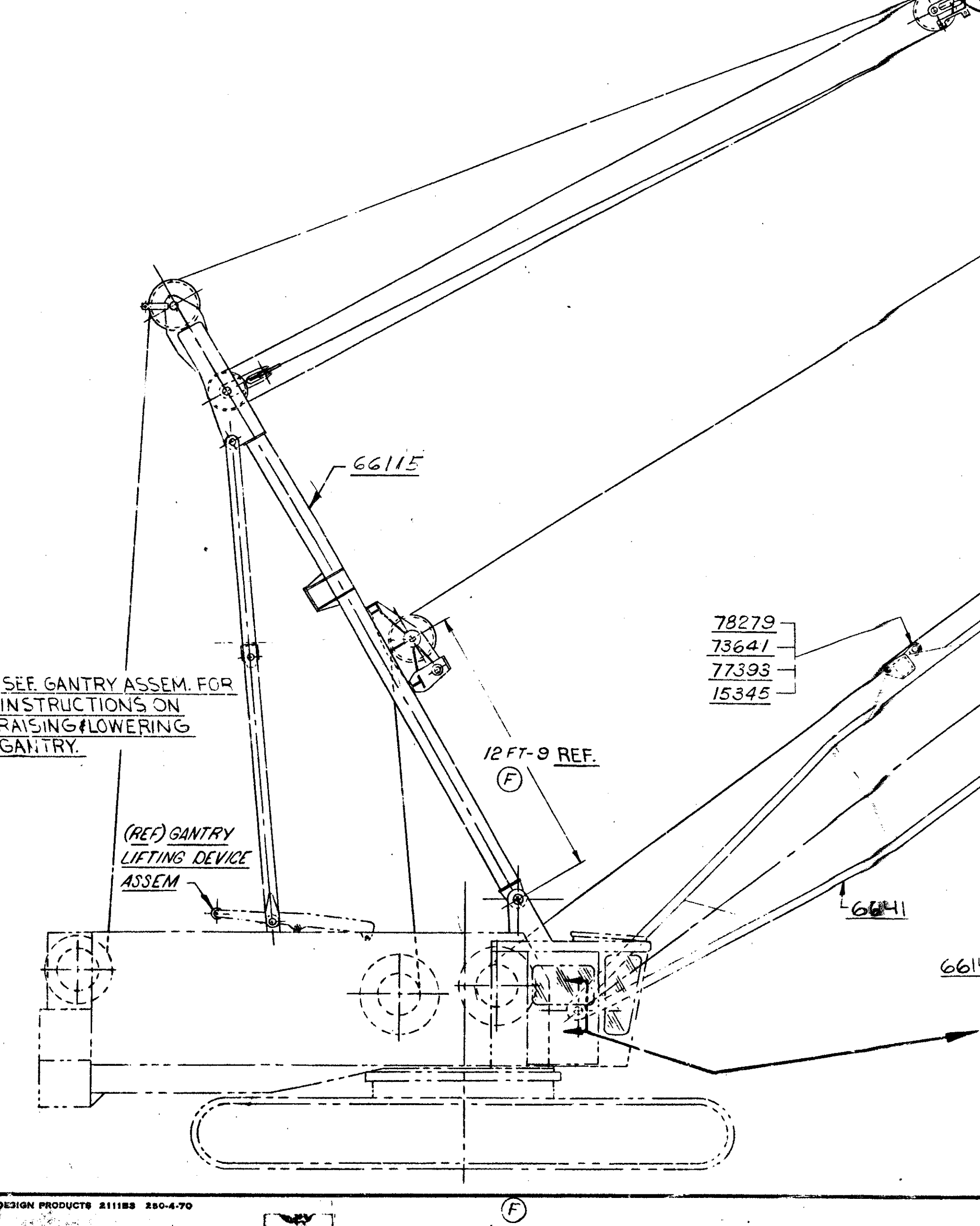
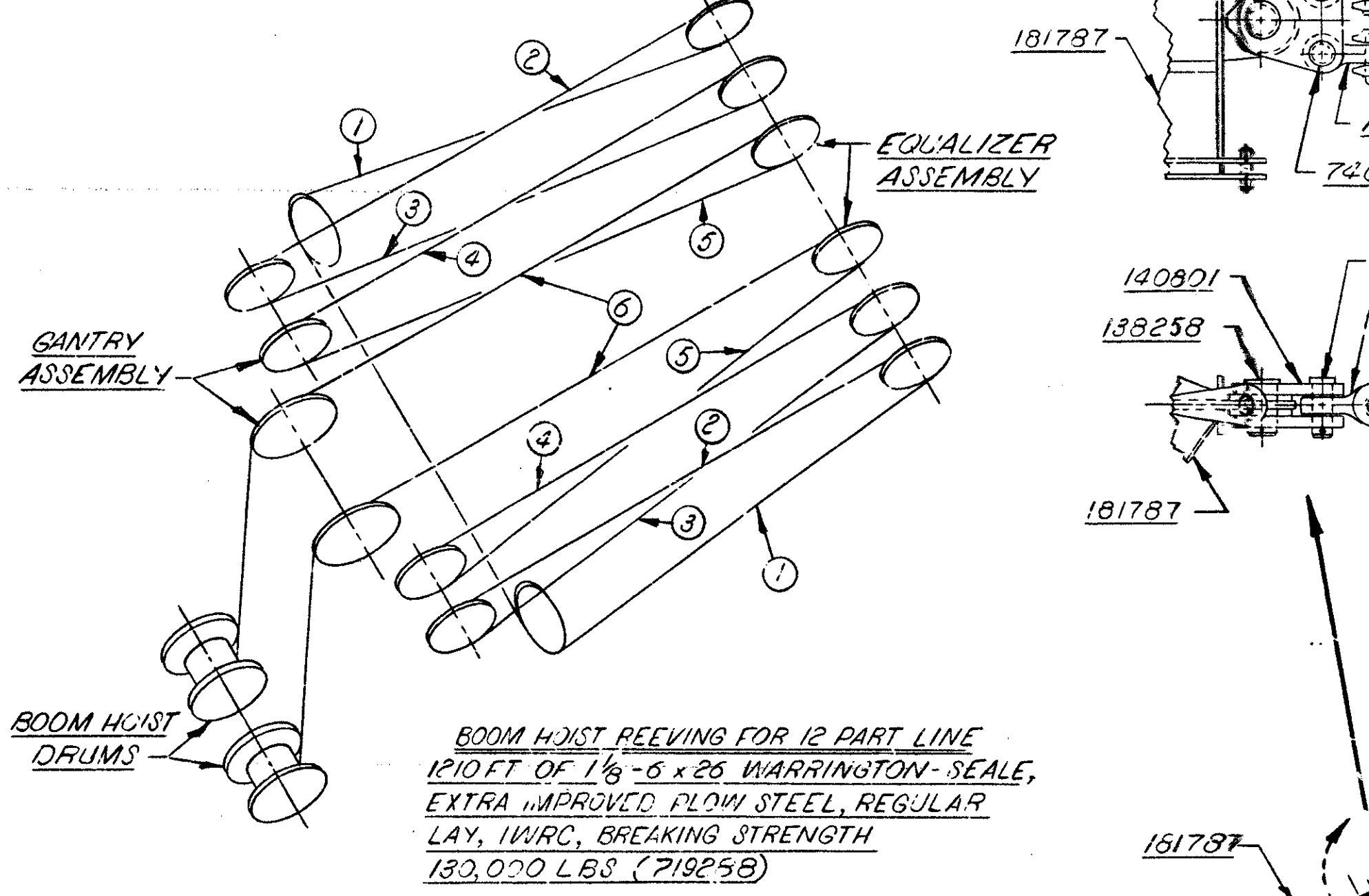
RECOMMENDED INSERT LOCATIONS

BOOM LENGTH	WITH 1/2" OFFSET	WITH JIB ATTACH LUGS	BACKSTAY LUGS
120	NO	NO	NO
130	NO	NO	NO
140	NO	NO	NO
150	NO	NO	NO
160	NO	NO	NO
170	NO	NO	NO
180	NO	NO	NO
190	NO	NO	NO
200	NO	NO	NO
210	NO	NO	NO
220	NO	NO	NO
230	NO	NO	NO
240	NO	NO	NO
250	NO	NO	NO
260	NO	NO	NO
270	NO	NO	NO
280	NO	NO	NO
290	NO	NO	NO
300	NO	NO	NO
310	NO	NO	NO



FOR 200 FT OF BOOM & LONGER WITH 4 1/2" OFFSET, DELETE 4-40 FT PENDANTS *276663

181266-2 - PLAIN
 181366-9 - EQUALIZER ATTACH. LUGS FOR LIFT CRANE
 49360-2 - JIB BACKSTAY LUGS & PENDANT LINK BUMPER
 49682-9 - 27A WITH EQUALIZER ATTACH. LUGS FOR LIFT CRANE
 623571 - EQUALIZER ATTACH. LUGS FOR LIFT CRANE
 623572 - SHEAR LUGS
 623573 - EQUALIZER ATTACH. LUGS FOR TOWER, JIB BACKSTAY LUGS & PENDANT LINK BUMPER.



NOTE I IF 40 FT *27A BOOM INSERT *49682-9 IS USED IN A LIFT CRANE IT MUST BE LOCATED ADJACENT TO THE BUTT SECTION. INSERT *49682-9 MAY NOT BE USED IN A 310 FT BOOM. (SEE NOTE VI)

NOTE II TO PROVIDE EQUALIZER ATTACH LUGS, ONE OF THE FOLLOWING MUST BE LOCATED ADJACENT TO THE BOOM BUTT - 181366-9, 623571 OR 49682-9.

NOTE III FOR TRAVELING OR BOOM HANDLING WITH GANTRY DOWN, PENDANTS 277093 TO BE IN PLACE PER VIEW 'D'.

NOTE IV 40 FT INSERT 623572 (DWG 49360) TO BE USED INSTEAD OF INSERT 49360-2 WHEN PENDANT ATTACHMENT LUGS 94515 ARE USED.

NOTE V WIRE ROPE ANCHOR JOINT ASSEMBLY MUST BE REMOVED WHEN USING MULTIPLE PARTS OF LINE.

NOTE VI 40 FT INSERT 49682-9 CAN BE REPLACED BY (1) 20 FT INSERTS, (1) 181662-2 AND (1) 181662-3 (SEE NOTE I).

NOTE VII BUTT #65227 REQUIRES MODIFICATIONS PER DWG 420332 IF USED ON 4600 SERIES 5.

NOTE VIII FOR 80 FT OF BOOM WITH 4 1/2" OFFSET ON 4600 SERIES 4 BUTT #65227 MUST BE MODIFIED PER DWG 420332. IF BUTT #65227 IS NOT MODIFIED PER DWG 420332, CAPACITY CHARTS FOR 4600 SERIES 4 MUST BE REDUCED.

NOTE IX FOR TRAVELING OR BOOM HANDLING WITH GANTRY IN INTERMEDIATE POSITION, SEE VIEW 'D'.

NOTE X - SINGLE LGTH PENDANTS FOR 140 FT BOOM LGTH ONLY. FIRST ON #64663.

NOTE XI - DESIGN CAPACITY 57,000 LBS. TOTAL

NOTE XII - DESIGN CAPACITY 45,000 LBS. TOTAL

NOTE XIII - 8101689 MAY BE USED IN PLACE OF 65466.

BILL OF MATERIAL

NO	QTY	DESCRIPTION	MATERIAL	REMARKS
1	1	BOOM TWP (39 FT 6 LG)		SEE NOTE XIII
1	1	GANTRY ASSEMBLY		SEE NOTE V
1	1	BOOM BUTT (40 FT 6 LG)		SEE NOTES VII & VIII
2	2	LINK		
2	2	PIN		
2	2	BUSHING		
1	1	WIRE ROPE ROLLER GUIDE ASSEMBLY		
4	4	PIN		
1	1	ROLLER SHAFT		
1	1	ROLLER		
1	1	LOWER BOOM POINT SHAFT ASSEM-3 SHEAVE		3/8" DIA - 1/4" D ROPE
4	4	PIN		
2	2	PIN		
4	4	LINK		
4	4	LINK		
2	2	LINK		
1	1	WASHER		
1	1	EQUALIZER ASSEMBLY		
1	1	WIRE ROPE GUIDE ASSEMBLY		
4	4	BASIC PENDANT-DWG #140773(23FT-4LG)		

80 FT BASIC BOOM

NO	QTY	DESCRIPTION	REMARKS
1	1	KEEPER	
1	1	END PLATE	
2	2	BODY SIGN	
1	1	BOOM TWP (39 FT 6 LG)	SEE NOTE XIII
1	1	GANTRY ASSEMBLY	SEE NOTE V
1	1	BOOM BUTT (40 FT 6 LG)	SEE NOTES VII & VIII
2	2	LINK	
2	2	PIN	
2	2	BUSHING	
1	1	WIRE ROPE ROLLER GUIDE ASSEMBLY	
4	4	PIN	
1	1	ROLLER SHAFT	
1	1	ROLLER	
1	1	LOWER BOOM POINT SHAFT ASSEM-3 SHEAVE	3/8" DIA - 1/4" D ROPE
4	4	PIN	
2	2	PIN	
4	4	LINK	
4	4	LINK	
2	2	LINK	
1	1	WASHER	
1	1	EQUALIZER ASSEMBLY	
1	1	WIRE ROPE GUIDE ASSEMBLY	
4	4	BASIC PENDANT-DWG #140773(23FT-4LG)	

OPTIONAL PARTS

NO	QTY	DESCRIPTION	REMARKS
1	1	WIRE ROPE ANCHOR JOINT ASSY-DOUBLE HANGER	SEE NOTE VI
1	1	WIRE ROPE ANCHOR JOINT ASSY-DOUBLE HANGER	SEE NOTE VII
4	4	PENDANT-DWG 140773 (83 FT-4 LG)	SEE NOTE X
1	1	WIRE ROPE ANCHOR JOINT (REQ FOR 2 PART LINE)	SEE NOTE V
1	1	UPPER BOOM POINT SHAFT ASSEM-2 SHEAVE	3/8" DIA - 1/4" D ROPE
1	1	UPPER BOOM POINT SHAFT ASSEM-1 SHEAVE	3/8" DIA - 1/4" D ROPE
1	1	UPPER BOOM POINT SHAFT ASSEM-1 SHEAVE	470IA
1	1	UPPER BOOM POINT SHAFT ASSEM-2 SHEAVE	470IA
1	1	PENDANT ATTACHMENT LUG ASSEMBLY	
2	2	PENDANT (DWG 139117)	SEE NOTE III & IX
1	1	WIRE ROPE ANCHOR JOINT ASSY	LOWER BOOM POINT - DOUBLE HANGER
1	1	40 FT INSERT (DWG 49360)	SEE NOTE IV
1	1	SERVICE PLATFORM FOR EQUALIZER	
2	2	PENDANT (DWG 74958)	SEE NOTE IX

BOOM HANDLING INSTRUCTIONS SEE NOTE III

ATTACHMENT ARRANGEMENT	GANTRY POSITION	MAX LG OF BOOM HANDLED	BOOM MAKE UP	BOOM CONDITIONS OR LIMITATIONS
EQUALIZER PINNED TO EQUALIZER LUGS	DOWN	100 FT	BUTT 40 FT INSERT & 40 FT INSERT	
PENDANTS PINNED TO ATTACHMENT LUGS (94515) ON INSERTS	DOWN	120 FT	BUTT 40 FT INSERTS	POINT OF ATTACHMENT IS ON 2ND 40 FT INSERT (47 FT FROM BM BUTT)
PENDANTS PINNED TO BOOM TOP	UP	180 FT	BUTT 40 FT INSERTS & 40 FT INSERTS	ONE 40 FT INSERT IS THE MAXIMUM LENGTH TO BE CANTILEVERED FOR ANY LENGTH OF BOOM
	DOWN	110 FT	BUTT 40 FT INSERTS	
	INTER-MEDIATE	160 FT	BUTT 40 FT INSERTS & 40 FT INSERTS	NOT TESTED PER B30.5 CODE