

DWG. NO.	162084-2	162085-2	163634-2	163635-2	277192	277193	162143	147126 (B)	162376
BOOM LENGTH	25 FT. INSERT	50 FT. INSERT	75 FT. INSERT	100 FT. INSERT	PENDANT 25 FT.	PENDANT 50 FT.	WIRE ROPE ROLLER GUIDE ASSEM.	WIRE ROPE ROLLER GUIDE ASSEM.	WIRE ROPE ROLLER GUIDE ASSEM.
125 FT.	25 FT. OF INSERT	0 FT. OF INSERT	0 FT. OF INSERT	0 FT. OF INSERT	25 FT. OF PENDANT SETS	50 FT. OF PENDANT SETS	1	0	0
150 FT.	25 FT. OF INSERT	25 FT. OF INSERT	0 FT. OF INSERT	0 FT. OF INSERT	25 FT. OF PENDANT SETS	50 FT. OF PENDANT SETS	1	1	1
175 FT.	75 FT. OF INSERT	0 FT. OF INSERT	0 FT. OF INSERT	0 FT. OF INSERT	75 FT. OF PENDANT SETS	50 FT. OF PENDANT SETS	3	0	1
200 FT.	75 FT. OF INSERT	25 FT. OF INSERT	0 FT. OF INSERT	0 FT. OF INSERT	100 FT. OF PENDANT SETS	50 FT. OF PENDANT SETS	3	1	1
225 FT.	75 FT. OF INSERT	50 FT. OF INSERT	0 FT. OF INSERT	0 FT. OF INSERT	125 FT. OF PENDANT SETS	50 FT. OF PENDANT SETS	3	2	1
250 FT.	75 FT. OF INSERT	75 FT. OF INSERT	0 FT. OF INSERT	0 FT. OF INSERT	150 FT. OF PENDANT SETS	50 FT. OF PENDANT SETS	3	3	1
275 FT.	75 FT. OF INSERT	100 FT. OF INSERT	0 FT. OF INSERT	0 FT. OF INSERT	175 FT. OF PENDANT SETS	50 FT. OF PENDANT SETS	3	4	1
300 FT.	75 FT. OF INSERT	125 FT. OF INSERT	0 FT. OF INSERT	0 FT. OF INSERT	200 FT. OF PENDANT SETS	50 FT. OF PENDANT SETS	3	5	1
325 FT.	75 FT. OF INSERT	150 FT. OF INSERT	0 FT. OF INSERT	0 FT. OF INSERT	225 FT. OF PENDANT SETS	50 FT. OF PENDANT SETS	3	6	1
350 FT.	75 FT. OF INSERT	175 FT. OF INSERT	0 FT. OF INSERT	0 FT. OF INSERT	250 FT. OF PENDANT SETS	50 FT. OF PENDANT SETS	3	7	1
375 FT.	75 FT. OF INSERT	200 FT. OF INSERT	0 FT. OF INSERT	0 FT. OF INSERT	275 FT. OF PENDANT SETS	50 FT. OF PENDANT SETS	3	8	1

- INSERT NOTES:**
- 1 - MAXIMUM NUMBER OF 25 FT. 162084 INSERTS = 1.
 - 2 - 25 FT. 162084 INSERT TO BE LOCATED ADJACENT TO 25 FT. BUTT #162087, EXCEPT ON 175 FT. BOOM WITH JIB, 50 FT. 162085-9 TO BE ADJACENT TO BUTT.
 - 3 - MAXIMUM NO. OF 25 FT. 163634 INSERTS = 2.
 - 4 - 25 FT. INSERT 163634 TO BE LOCATED ADJACENT TO TRANSITION INSERT 162086.
 - 5 - SEE JIB ASSEMBLY FOR LOCATION OF INSERT WITH JIB BACKSTAY LUG.

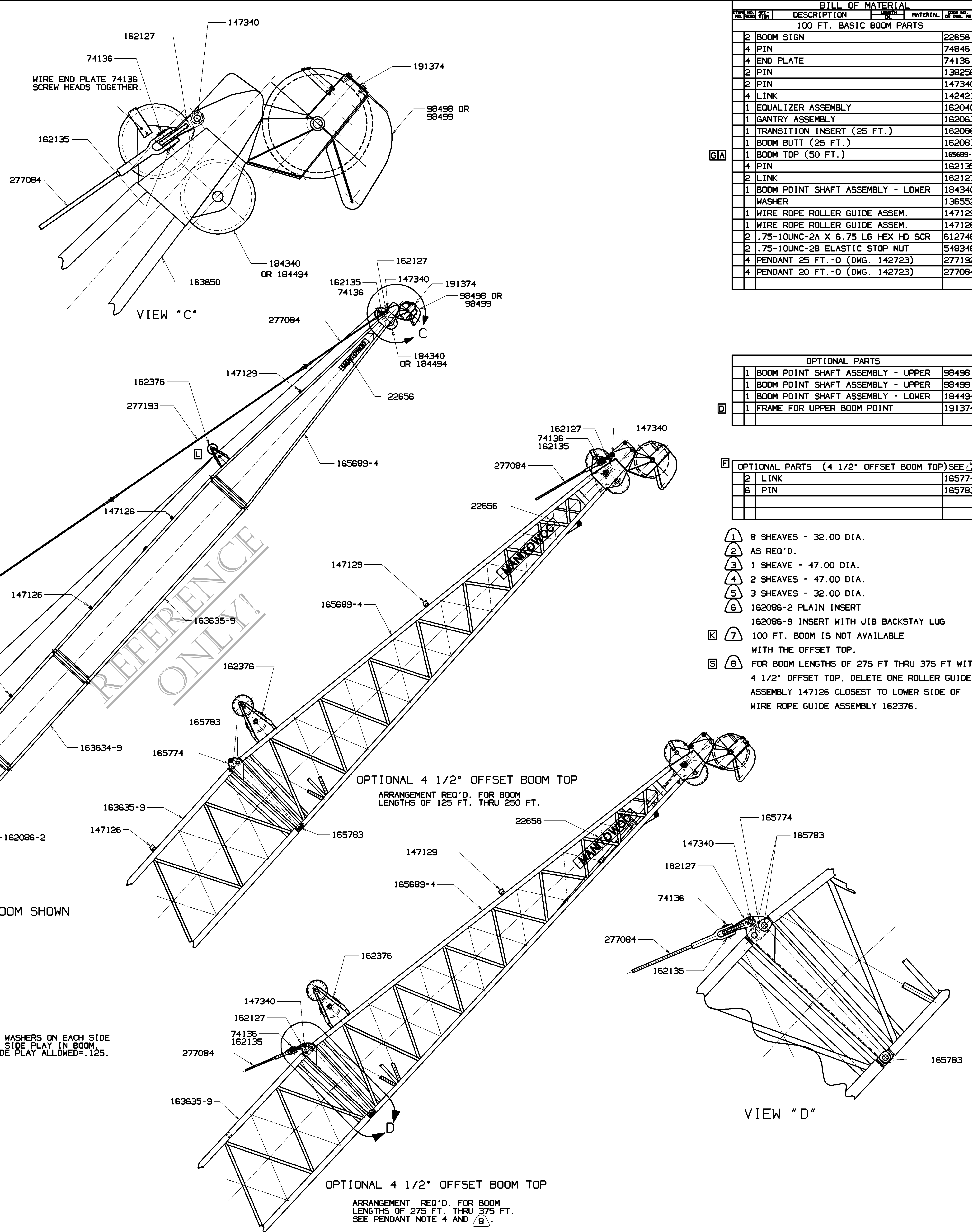
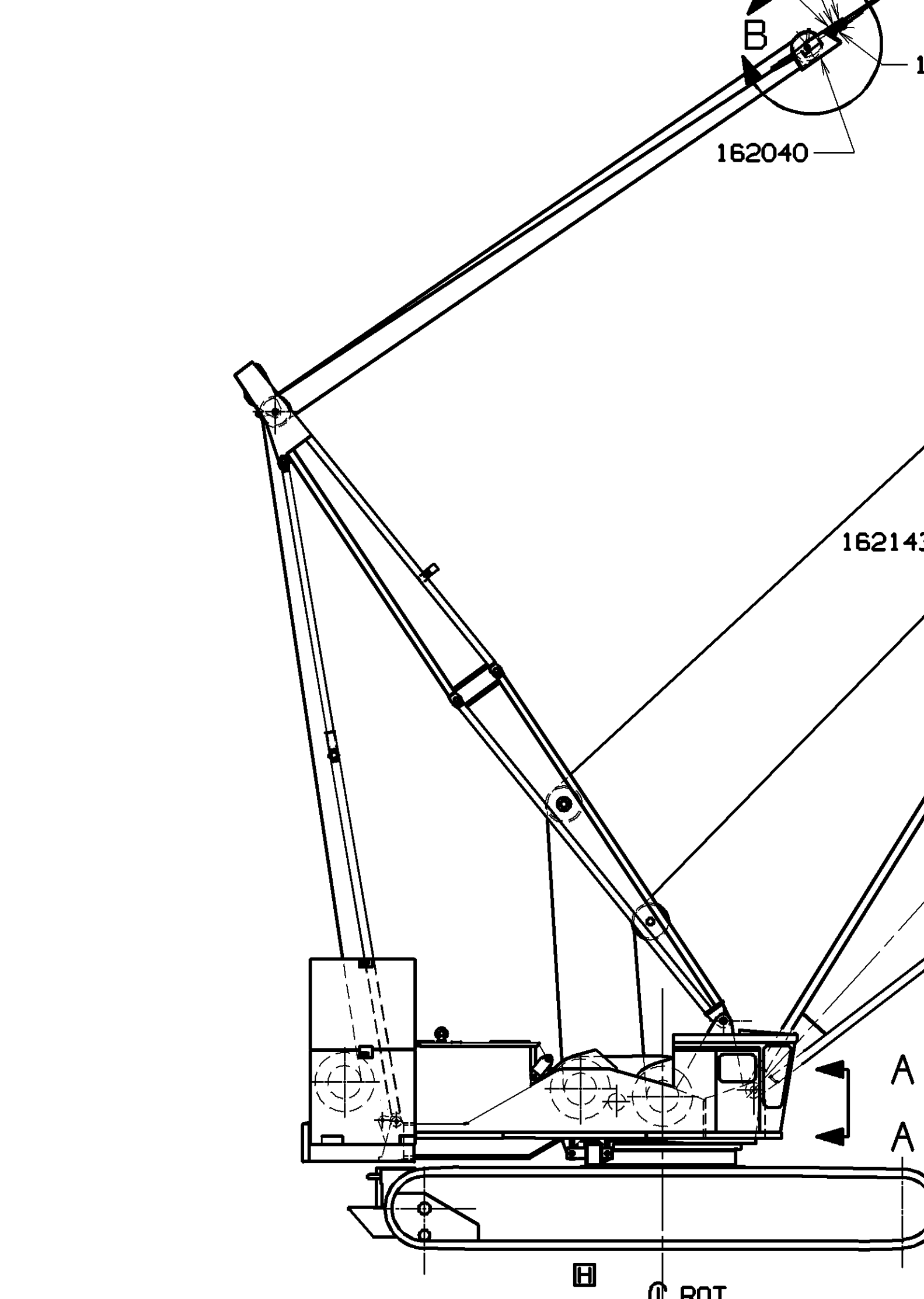
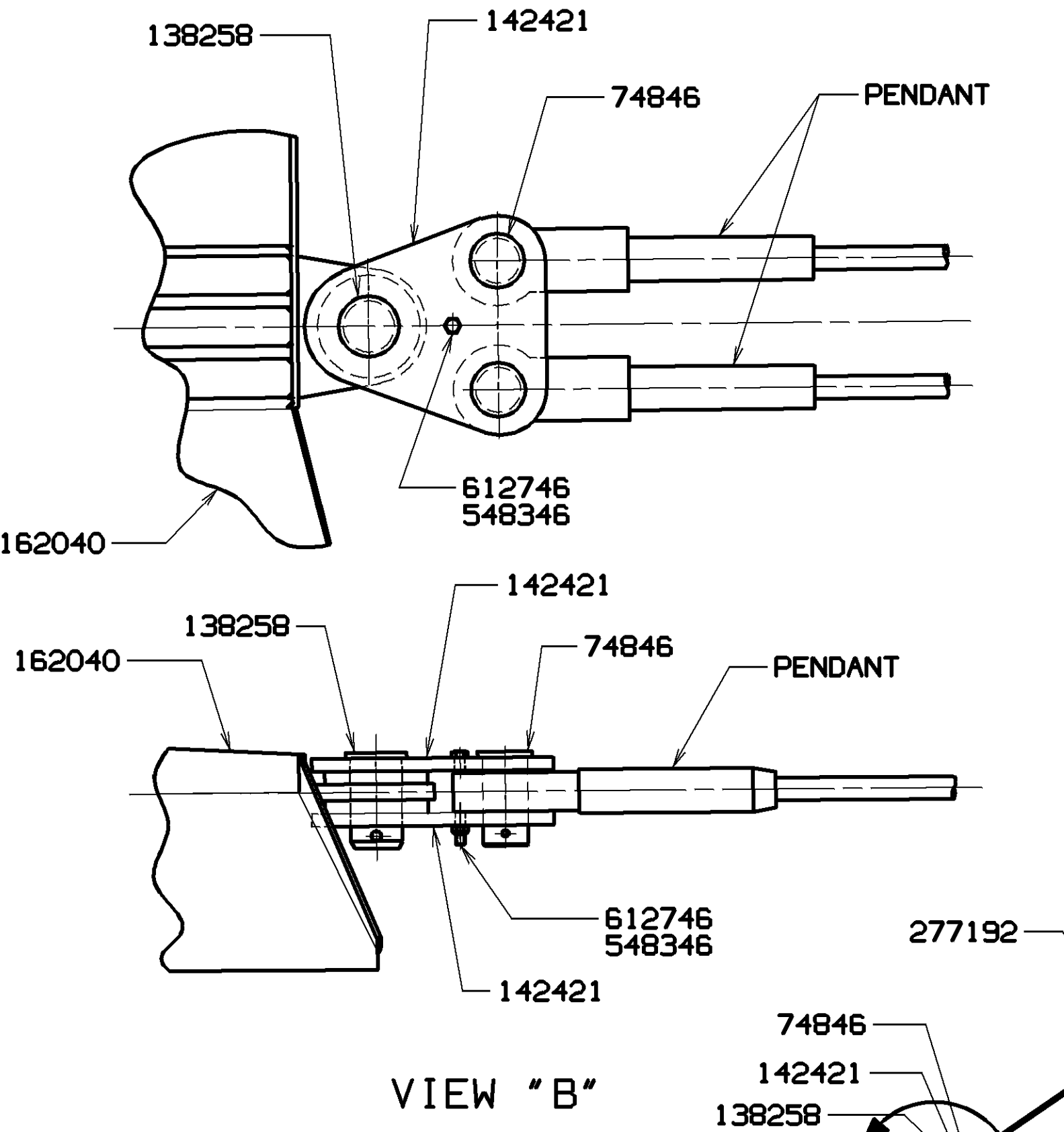
- PENDANT NOTES:**
- 1 - PENDANT SETS DO NOT INCLUDE BASIC PENDANTS #277084 & #277192.
 - 2 - PENDANTS FURNISHED IN SETS OF FOUR.
 - 3 - MAXIMUM NO. OF 25 FT. PENDANTS = 8. (EXCLUDES BASIC PENDANTS)
 - 4 - FOR BOOM LENGTHS OF 275 THRU 375 FT. WHEN PENDANTS ARE ATTACHED TO THE OFFSET LINK REF. 165774, REMOVE ONE SET OF 50 FT. PENDANTS REF. 277193.
 - 5 - ALL 25 FT. PENDANTS INCLUDING 25 FT. BASIC MUST BE LOCATED ADJACENT TO EQUALIZER FOR ALL BOOM LENGTHS.

162084-2 PLAIN INSERT
162084-9 WITH JIB BACKSTAY LUG

162085-2 PLAIN INSERT
162085-9 WITH JIB BACKSTAY LUG

163634-2 PLAIN INSERT
163634-9 WITH JIB BACKSTAY LUG

163635-2 PLAIN INSERT
163635-9 WITH JIB BACKSTAY LUG



REFERENCE ONLY!

OPTIONAL 4 1/2° OFFSET BOOM TOP
ARRANGEMENT REQ'D. FOR BOOM LENGTHS OF 125 FT. THRU 250 FT.

OPTIONAL 4 1/2° OFFSET BOOM TOP
ARRANGEMENT REQ'D. FOR BOOM LENGTHS OF 275 FT. THRU 375 FT. SEE PENDANT NOTE 4 AND (B).

136552-ADD WASHERS ON EACH SIDE TO PREVENT SIDE PLAY IN BOOM. MAXIMUM SIDE PLAY ALLOWED=.125.

(REF.) BOOM HINGE PIN

VIEW "A"--"A"

250 FT. BOOM SHOWN

QTY.	DESCRIPTION	MATERIAL	QTY.	ASSEMBLIES USED ON
BILL OF MATERIAL				
100 FT. BASIC BOOM PARTS				
2	BOOM SIGN		22656	
4	PIN		74846	
4	END PLATE		74136	
2	PIN		138258	
2	PIN		147340	
4	LINK		142421	
1	EQUALIZER ASSEMBLY		162040	4-15-84 CFP
1	GANTRY ASSEMBLY		162063	WAS 66128-4
1	TRANSITION INSERT (25 FT.)		162086	191223-2 & 191223-9
1	BOOM BUTT (25 FT.)		162087	WAS 191224-2 & 191224-9
1	BOOM TOP (50 FT.)		165689-4	WAS 191224-9
4	PIN		162135	WAS 163650-4
2	LINK		162127	WAS 163650-4
1	BOOM POINT SHAFT ASSEMBLY - LOWER		184340	WAS 163650-4
1	WASHER		136552	WAS 163650-4
1	WIRE ROPE ROLLER GUIDE ASSEM.		147129	WAS 163650-4
1	WIRE ROPE ROLLER GUIDE ASSEM.		147126	WAS 163650-4
2	.75-10UNC-2A X 6.75 LG HEX HD SCR		612746	WAS 163650-4
2	.75-10UNC-2B ELASTIC STOP NUT		548346	WAS 163650-4
4	PENDANT 25 FT.-0 (DWG. 142723)		277192	WAS 163650-4
4	PENDANT 20 FT.-0 (DWG. 142723)		277084	WAS 163650-4

OPTIONAL PARTS			
1	BOOM POINT SHAFT ASSEMBLY - UPPER		98498
1	BOOM POINT SHAFT ASSEMBLY - UPPER		98499
1	BOOM POINT SHAFT ASSEMBLY - LOWER		184494
1	FRAME FOR UPPER BOOM POINT		191374

OPTIONAL PARTS (4 1/2° OFFSET BOOM TOP) SEE (7)			
2	LINK		165774
6	PIN		165783

- 1 8 SHEAVES - 32.00 DIA.
- 2 AS REQ'D.
- 3 1 SHEAVE - 47.00 DIA.
- 4 2 SHEAVES - 47.00 DIA.
- 5 3 SHEAVES - 32.00 DIA.
- 6 162086-2 PLAIN INSERT
162086-9 INSERT WITH JIB BACKSTAY LUG
- 7 100 FT. BOOM IS NOT AVAILABLE WITH THE OFFSET TOP.
- 8 FOR BOOM LENGTHS OF 275 FT THRU 375 FT WITH 4 1/2° OFFSET TOP, DELETE ONE ROLLER GUIDE ASSEMBLY 147126 CLOSEST TO LOWER SIDE OF WIRE ROPE GUIDE ASSEMBLY 162376.

VIEW "D"

MANITOWOC	Manitowoc Cranes, Inc.	BOOM RIGGING ASSEMBLY
DWD	Manitowoc, Wisconsin	#66-#64A
LS	MOD. 6000 S2	COMBINATION BOOM
PWR		