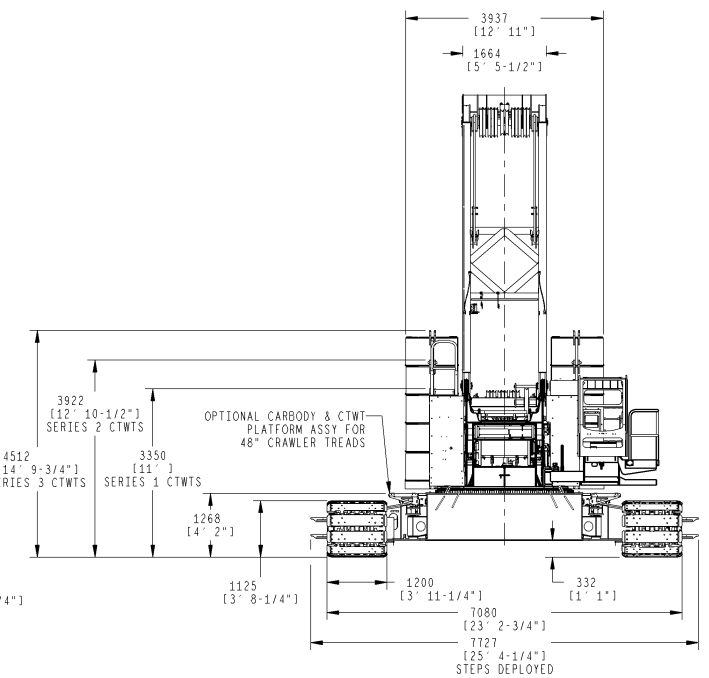
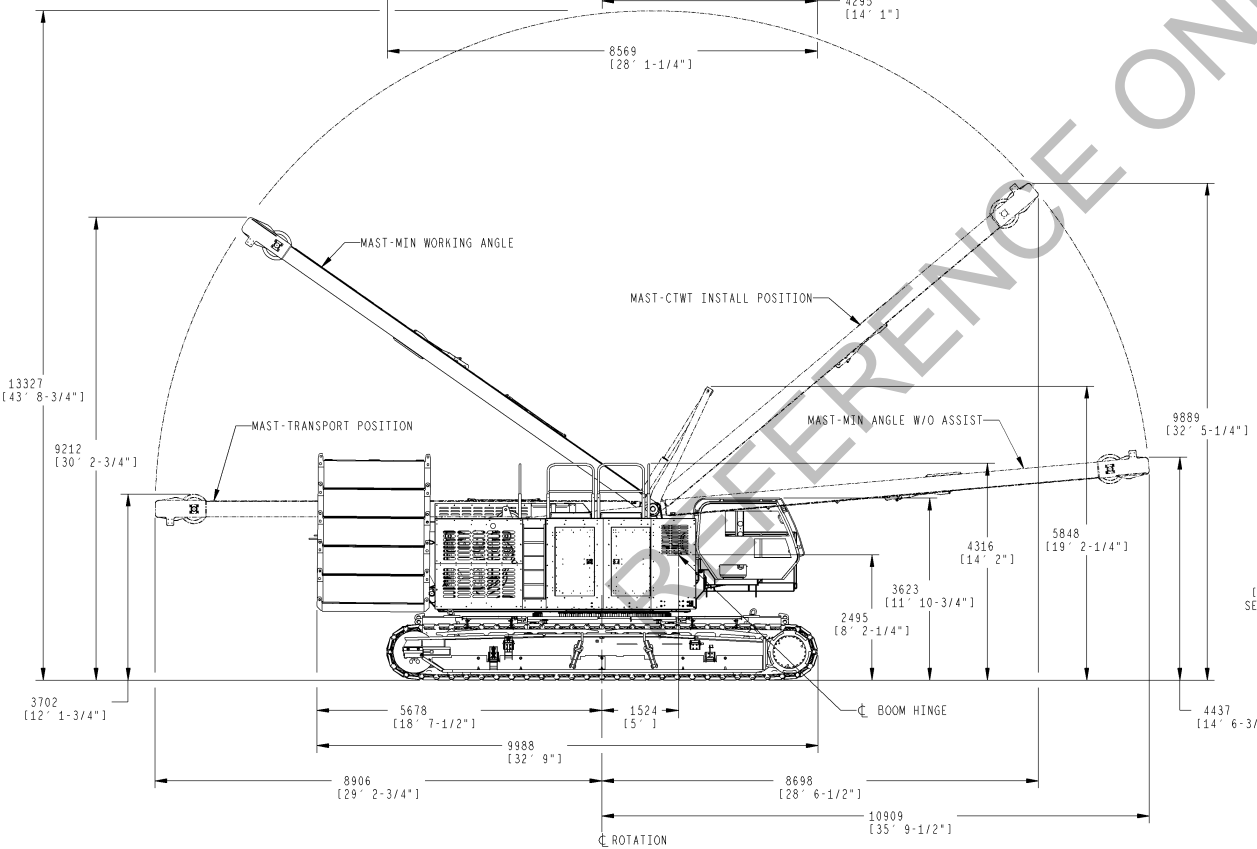


CRANE WITH 60" CRAWLER TREADS

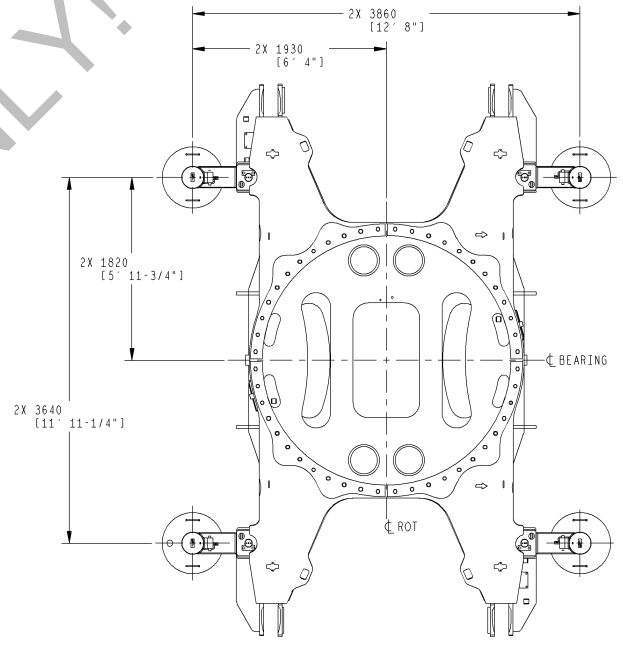
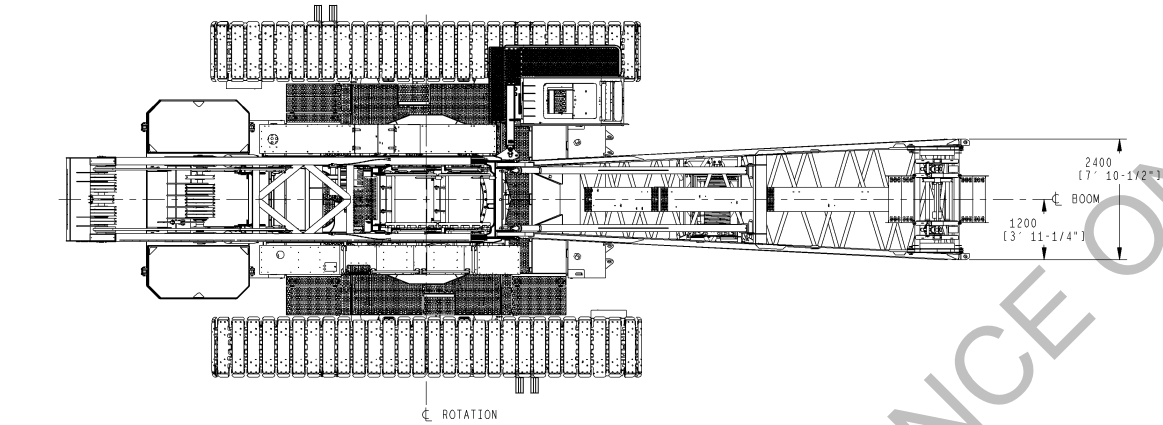


CRANE WITH 48" CRAWLER TREADS

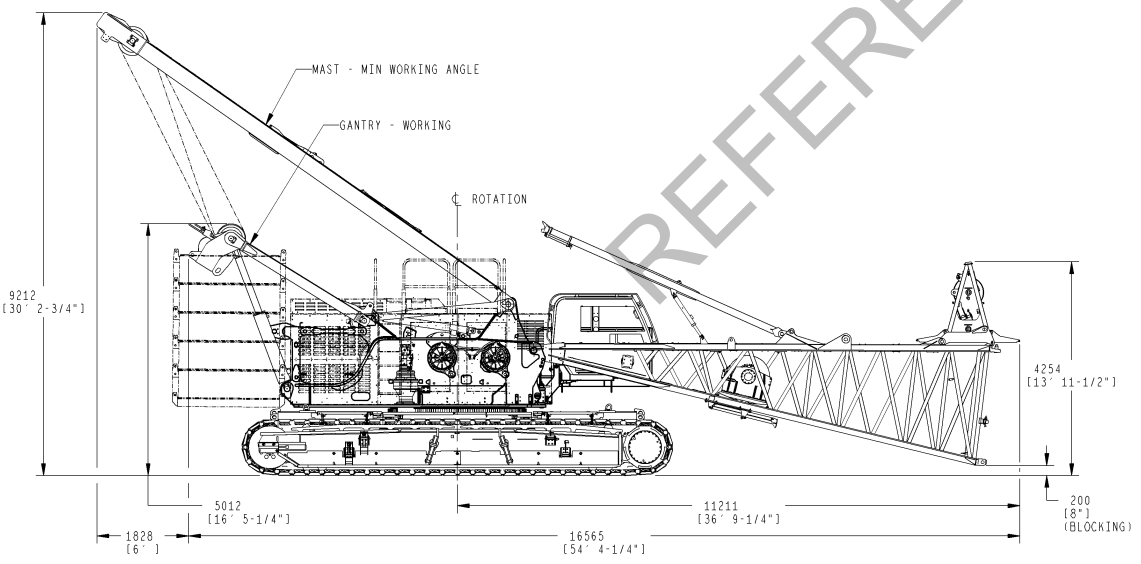
Mantowoc

THIS DRAWING IS THE PROPERTY OF MANTOWOC. IT IS TO BE USED ONLY FOR THE PROJECT AND SITE SPECIFICALLY IDENTIFIED HEREIN. IT IS NOT TO BE REPRODUCED, COPIED, OR TRANSMITTED IN ANY FORM OR BY ANY MEANS, ELECTRONIC OR MECHANICAL, INCLUDING PHOTOCOPYING, RECORDING, OR BY ANY INFORMATION STORAGE AND RETRIEVAL SYSTEM, WITHOUT THE WRITTEN PERMISSION OF MANTOWOC.

ASSEMBLIES USED ON		TOLERANCE TABLE			TOLERANCES FOR WELDED CONSTRUCTION		TITLE OR PRIMARY LANGUAGE	
DECIMAL PLACES		METRIC TOLERANCES UNLESS OTHERWISE SPECIFIED			SURFACE TEXTURE		DIAGRAM	
1st PLACE 0.1		SEE TOLERANCE TABLE			SEE TOLERANCE TABLE		OUTLINE DIMENSIONS	
2nd PLACE 0.01		TOLERANCES OF FORM AND POSITION			GENERAL TOLERANCES		TITLE OR SECONDARY LANGUAGE	
3rd PLACE 0.001		MATERIAL			DO NOT SCALE		DESIGNER	
4th PLACE 0.0001		SEE COMPONENTS			SCALE		VENDELGRECHT	
5th PLACE 0.00001		CAGE CODE			UNITS		MASS (KG)	
ANGLES		3RD ANGLE			MM		N/A	
DRAWING NO.		SHEET		GROUP		REVISION		
00MAP1001-0		1/2		HAD		80140568 A		



CARBODY JACKS



REFERENCE ONLY!

TITLE IN PRIMARY LANGUAGE						DRAWING NO.	
DIAGRAM						80140568	
OUTLINE DIMENSIONS						REVISION	
TITLE IN SECONDARY LANGUAGE							
UNITS	SCALE	PAPER	SHEET	GROUP	DATE	DESIGNED BY	APPROVED BY
MM	1:0.02	A1	2/2	HAD			