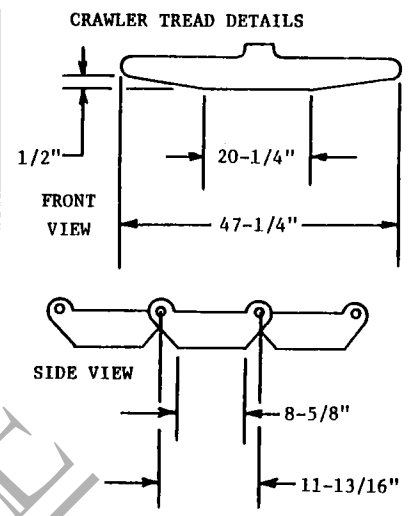


NO. 39 BOOM		
BOOM LENGTH	WBB	WBT
70	6500	8700
80	7360	9300
90	8200	9900
100	9200	10640
110	9940	11300
120	10500	11800
130	11000	12200
140	11500	12800
150	12300	13400
160	12800	13950
170	13140	14300
180	13700	14750
190	14500	15400
200	15000	15940
210	15300	16300
220	15800	16900
230	16700	17400
240	17200	17900
250	17450	18340
260	18000	18900

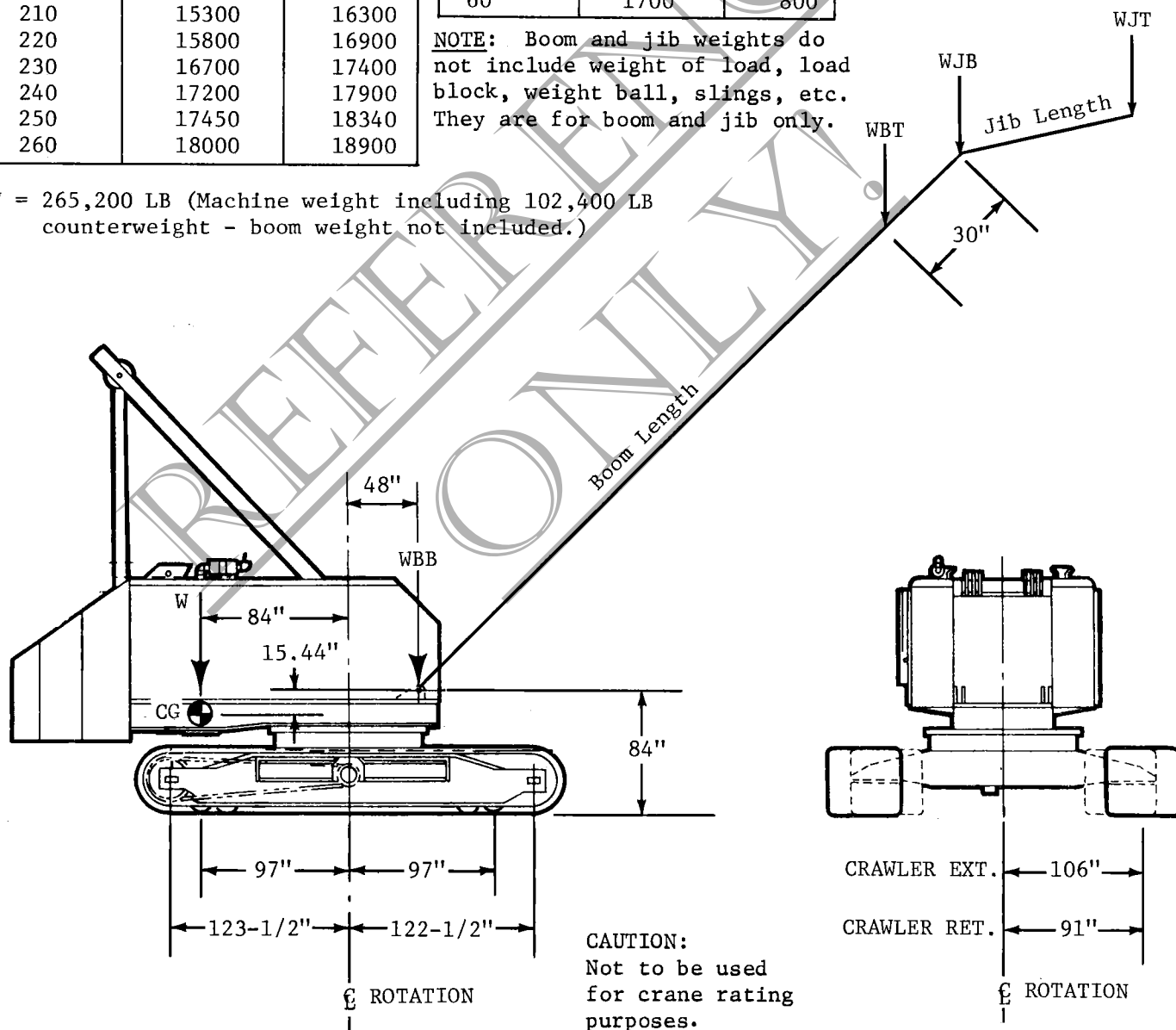
123 JIB WITH 39 BOOM		
JIB LENGTH	WJB	WJT
30	2000	400
40	2100	700
50	2300	1000
60	2500	1300

124 JIB WITH 39 BOOM		
JIB LENGTH	WJB	WJT
30	1600	200
40	1600	400
50	1700	600
60	1700	800



**NOTE:** Boom and jib weights do not include weight of load, load block, weight ball, slings, etc. They are for boom and jib only.

W = 265,200 LB (Machine weight including 102,400 LB counterweight - boom weight not included.)



10.601

<b>MANITOWOC ENGINEERING COMPANY</b>			C.G. CHART	DATE
			Model 3950W	4-19-83
DR. CFS	CK. MW	MODEL	102400# CTWT No. 39 Boom	CHART NO. T.S. 281
REVISED DATE				