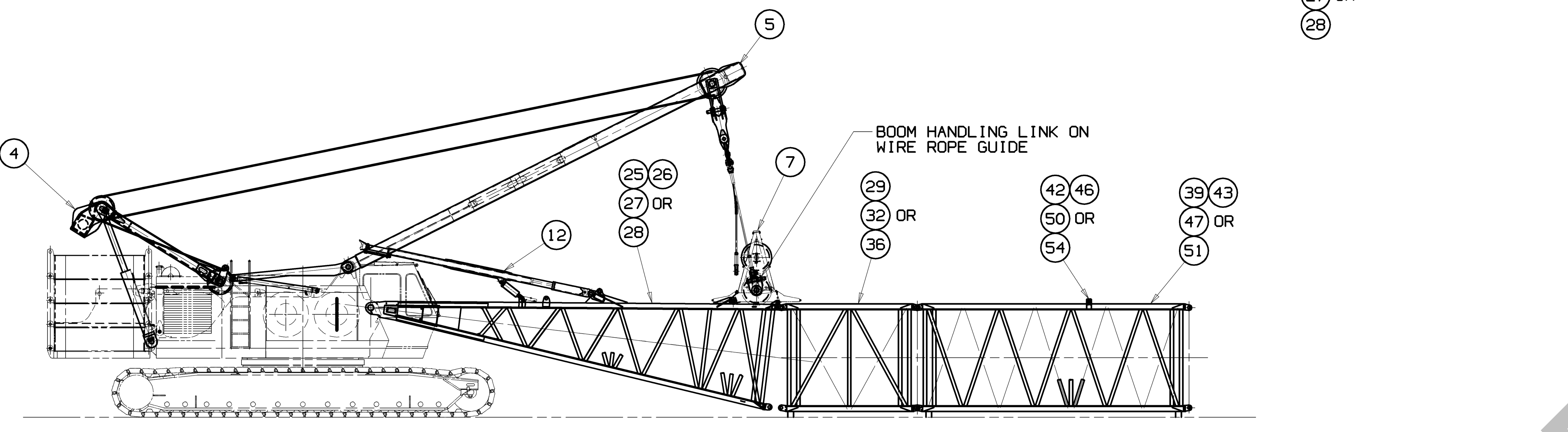
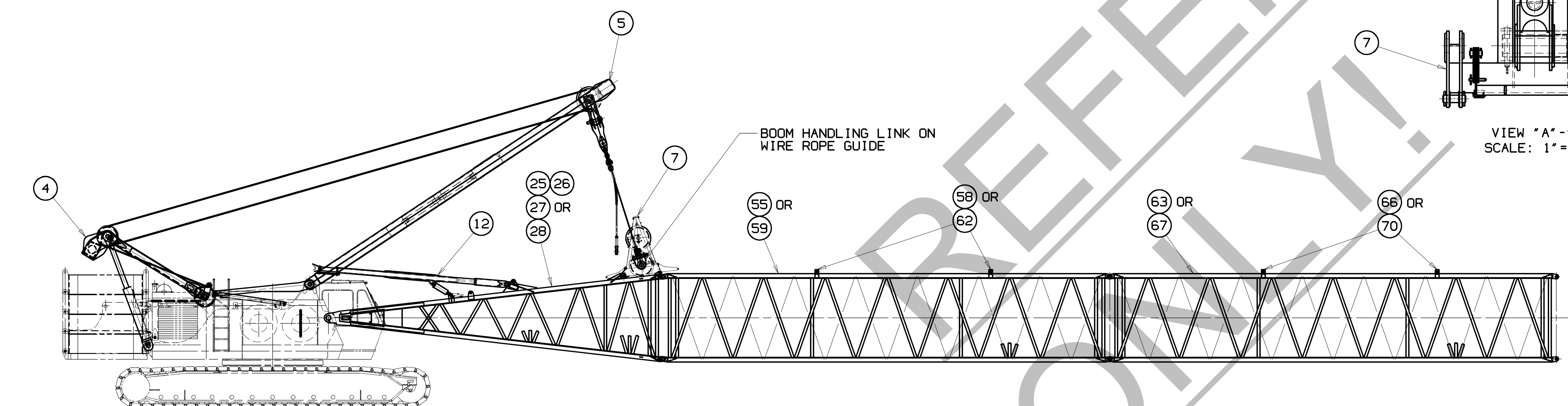


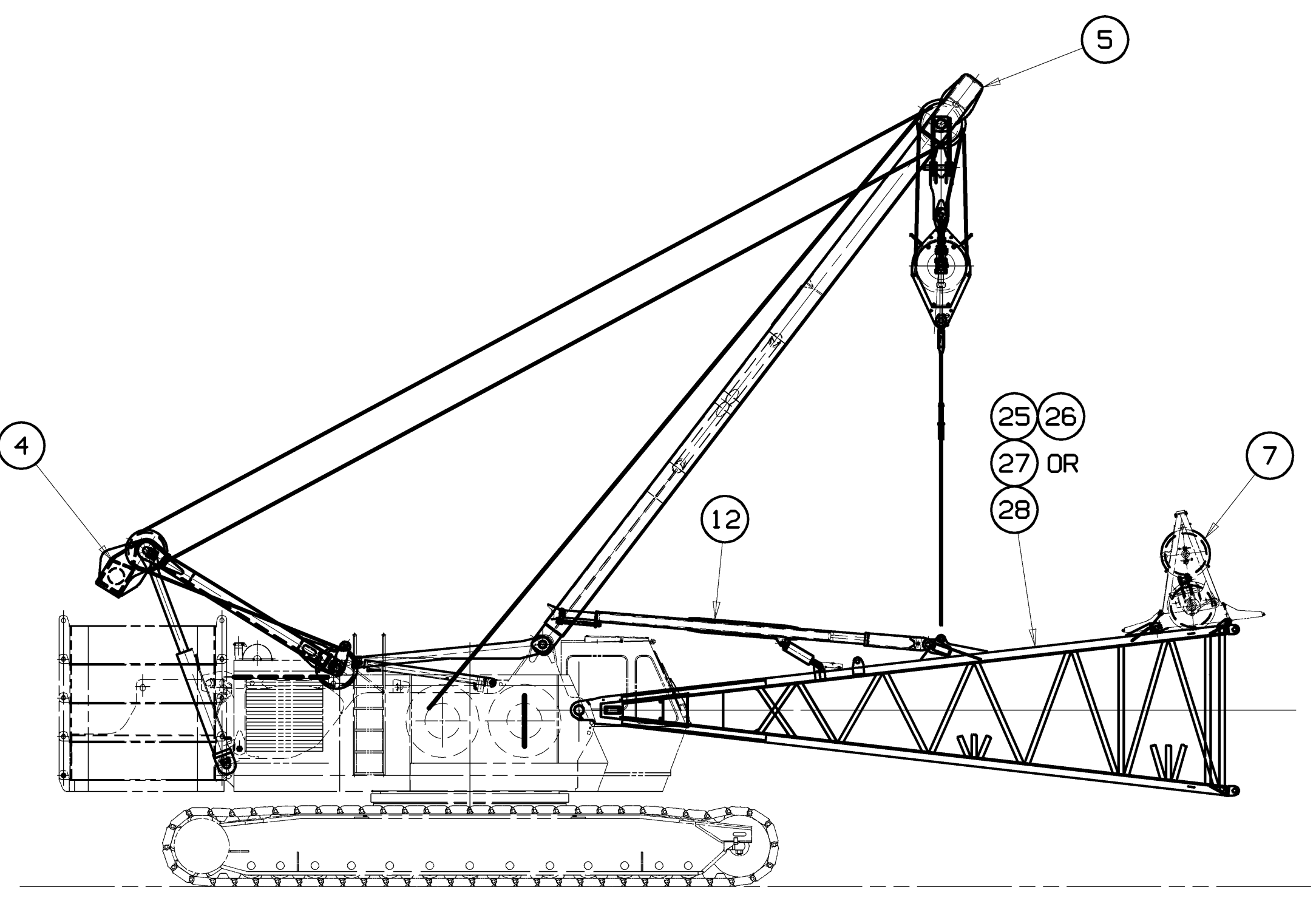
MAST RESTING ON BOOM BUTT WIRE ROPE GUIDE



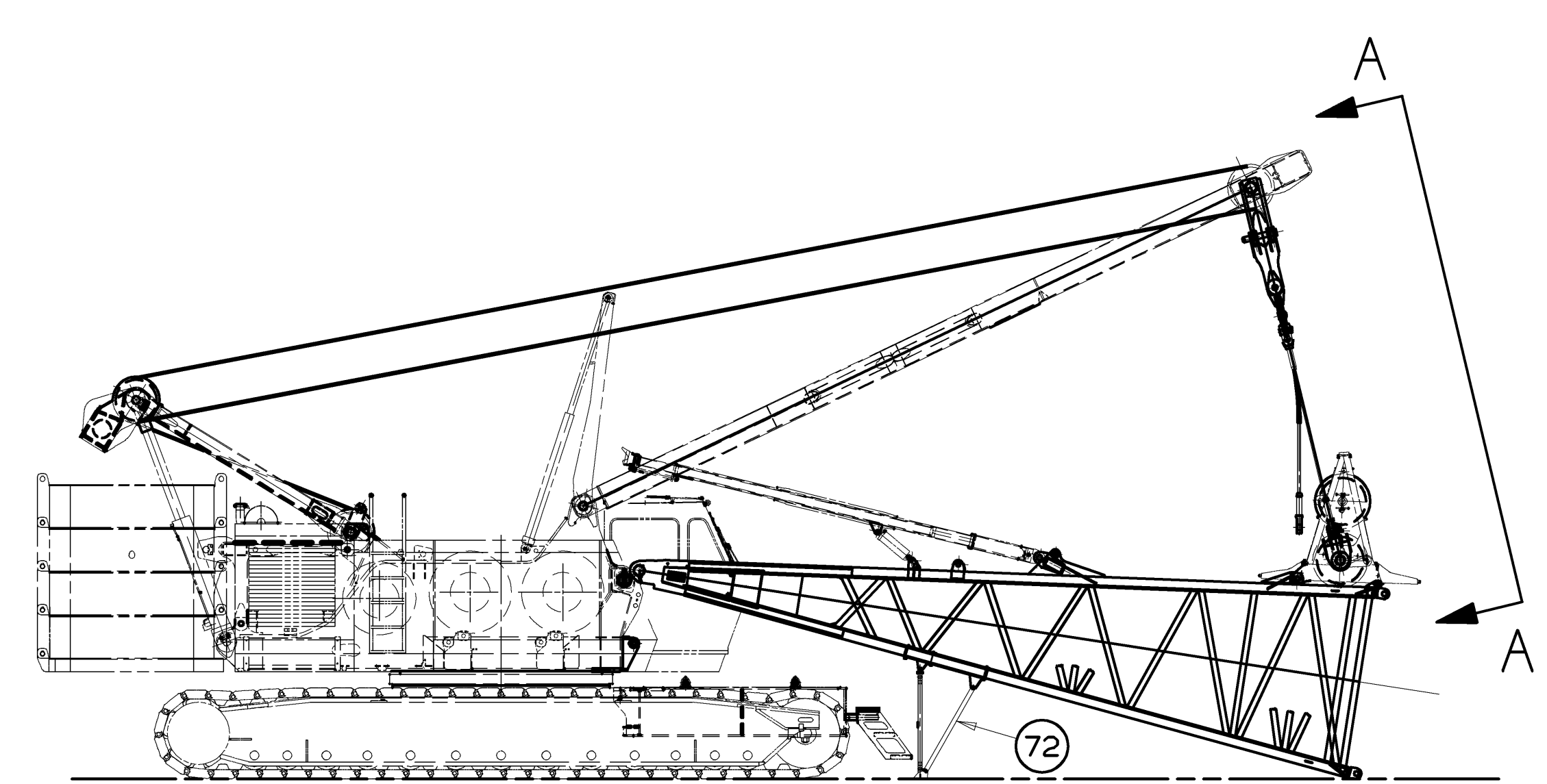
BOOM ASSEMBLY WITH MAST



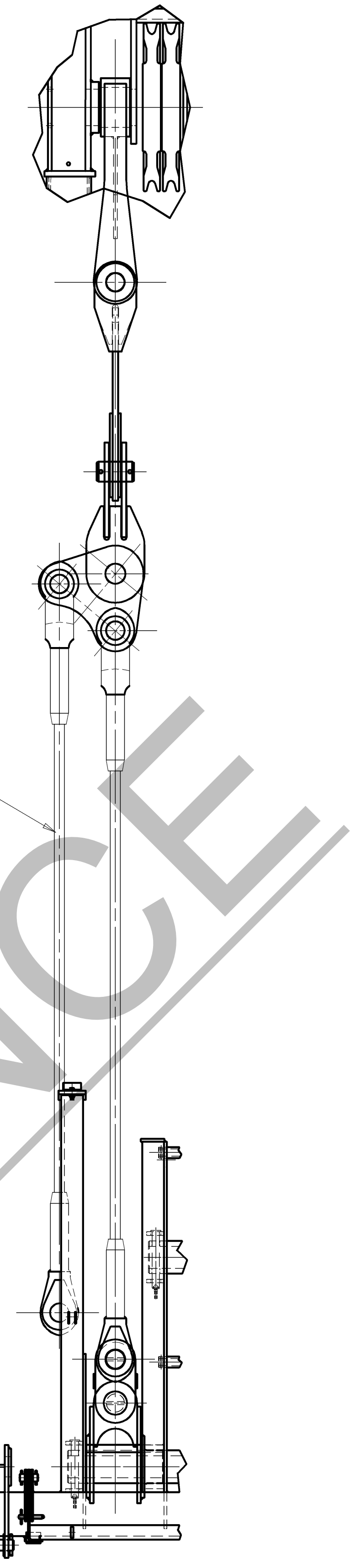
BOOM HANDLING WITH MAST



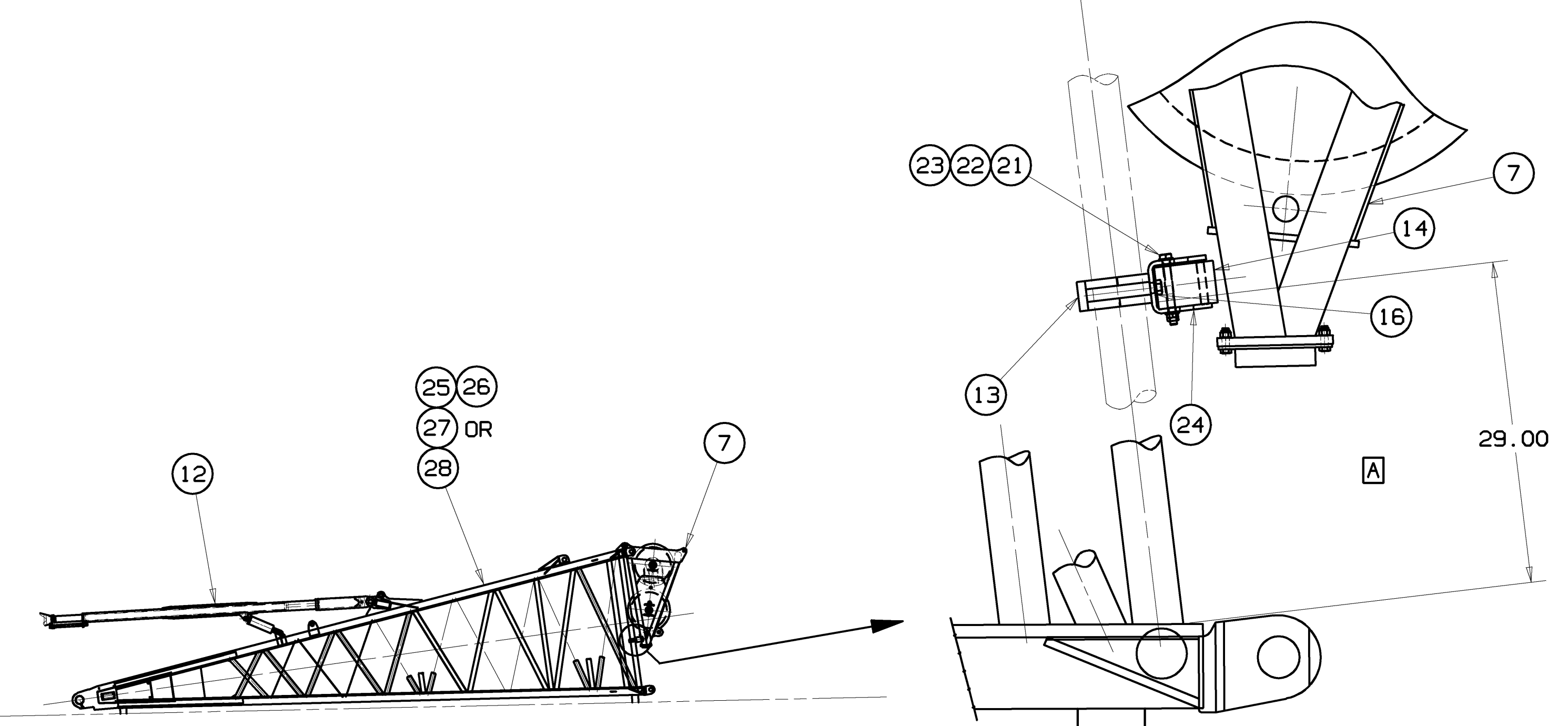
ATTACHING BOOM BUTT TO ROTATING BED USING AUXILIARY BLOCK IN MAST.



ATTACHING BOOM BUTT TO ROTATING BED USING OPTIONAL BUTT ATTACHING ASSEMBLY.



VIEW "A"-A"
SCALE: 1"=1FT.



BOOM BUTT SHIPPING ARRANGEMENT

BOOM ASSEMBLY PROCEDURE

(MAST CAN BE USED TO ASSEMBLE ALL RIGGING COMPONENTS.)

1. ASSEMBLE BOOM COMPLETE, WITHOUT BUTT.
2. ATTACH ROPE GUIDES, PENDANTS, LINKS AND PINS AS REQ'D.
3. USING THE MAST WITH AUXILIARY BLOCK OR THE OPTIONAL BOOM BUTT SUPPORT, INSTALL THE BOOM BUTT WITH ROPE GUIDE AND BOOM STOPS TO ROTATING BED. (BOOM STOPS MUST BE IN SHIPPING (LOWER) POSITION.)
4. BOOM DOWN AND ATTACH INSIDE MAST PENDANT TO BOOM HANDLING LINK ON ROPE GUIDE ITEM 7. (SEE VIEW "A"-A")
5. BOOM UP TO CLEAR GROUND WITH BUTT.
6. POSITION MACHINE TO ALIGN UPPER PIN CONNECTOR HOLES ON BOOM BUTT WITH UPPER PIN CONNECTOR HOLES ON FIRST BOOM INSERT AND INSERT PINS.
7. SLOWLY BOOM UP TO ALIGN LOWER PIN CONNECTOR HOLES ON BOOM BUTT WITH LOWER PIN CONNECTOR HOLES IN FIRST BOOM INSERT AND INSERT PINS.

WARNING:

DO NOT BOOM UP PAST LOWER CONNECTOR HOLES. IF BOOMING UP CONTINUES AFTER CONNECTORS BOTTOM OUT OR AFTER PINS ARE INSERTED, DAMAGE TO ROPE GUIDE AND BOOM BUTT WILL OCCUR.

8. BOOM DOWN TO DISCONNECT MAST PENDANT FROM ROPE GUIDE LINKS.
9. ATTACH MAST PENDANT TO BOOM PENDANTS.
10. BOOM UP TO REMOVE SOME SLACK FROM PENDANTS.
11. CONNECT AIR SUPPLY TO BOOM STOPS AND RAISE BOOM STOPS INTO POSITION. ROTATE CYLINDER BRACKET INTO POSITION AND PIN.
12. BOOM UP TO DESIRED BOOM ANGLE.

TO DISASSEMBLE BOOM

1. BOOM DOWN AND SUPPORT BOOM ON BLOCKING.
2. DISCONNECT BOOM STOP AIR LINES ETC.
3. DISCONNECT MAST PENDANT FROM BOOM PENDANTS
4. CONNECT INSIDE MAST PENDANTS TO HANDLING LINK ON ROPE GUIDE ITEM 7 (SEE VIEW "A"-A")
5. BOOM UP TO REMOVE SLACK FROM MAST PENDANT.

WARNING:

DO NOT BOOM UP TO PUT TENSION INTO MAST PENDANT. (REMOVE SLACK ONLY) TENSION IN MAST PENDANT WILL DAMAGE ROPE GUIDE AND BOOM BUTT.

6. REMOVE LOWER AND THEN UPPER BOOM BUTT CONNECTOR TO BOOM INSERT CONNECTOR PINS.

WARNING:

BOOM MUST BE PROPERLY BLOCKED TO PREVENT SHIFTING DURING PIN REMOVAL.

7. SLOWLY BOOM UP TO SUPPORT BOOM BUTT WITH MAST PENDANT AND BACK AWAY FROM BOOM.
8. REMOVE BOOM BUTT FROM ROTATING BED WITH MAST.
9. DISASSEMBLE BOOM WITH MAST.

BOOM HANDLING WITH MAST
WITH MAST PENDANTS PINNED TO ROPE GUIDE LINKS: MAXIMUM BOOM THAT CAN BE CANTILEVERED IS AS FOLLOWS:

LENGTH	10 FT. (3.05 M) INSERT	20 FT. (6.10 M) INSERT	40 FT. (12.2 M) INSERT
40 FT. (12.2 M)	2	1	0
50 FT. (15.2 M)	1	2	0
60 FT. (18.3 M)	2	0	1
60 FT. (18.3 M)	0	1	1
80 FT. (24.4 M)	0	0	2

SUPERSEDES 177156 SHT 2 OF 2-19-96

<p>THIS PRINT REMAINS THE PROPERTY OF MANITOWOC CRANES, INC. ALL INFORMATION CONTAINED THEREIN IS CONFIDENTIAL. IT IS LOANED, SUBJECT TO RETURN UPON DEMAND, AND ON EXPRESS CONDITION THAT IT IS NOT TO BE COPIED OR USED DIRECTLY OR INDIRECTLY IN ANY MANNER DETRIMENTAL TO OUR INTERESTS.</p>		<p>TOLERANCE UNLESS OTHERWISE SPECIFIED: DECIMAL PLACES FABRICATION MACHINING (1) PLACE 0.0 ±.12 ±.18 ±.03 (2) PLACE 0.00 ±.06 ±.12 ±.015 (3) PLACE 0.000 ±.006 ±.005 ANGLES 11.25° 40.90°</p>		<p>18-1 FT DR: JJJ CK: TSC APP: TSC</p>		<p>Manitowoc Cranes, Inc. BOOM RIGGING ASSEMBLY Manitowoc, Wisconsin #22EL BOOM MODEL 888 WITH STOWABLE PENDANTS</p>		<p>DATE 2-25-97 PATTERN NO. 177156</p>	
--	--	--	--	---	--	--	--	--	--