

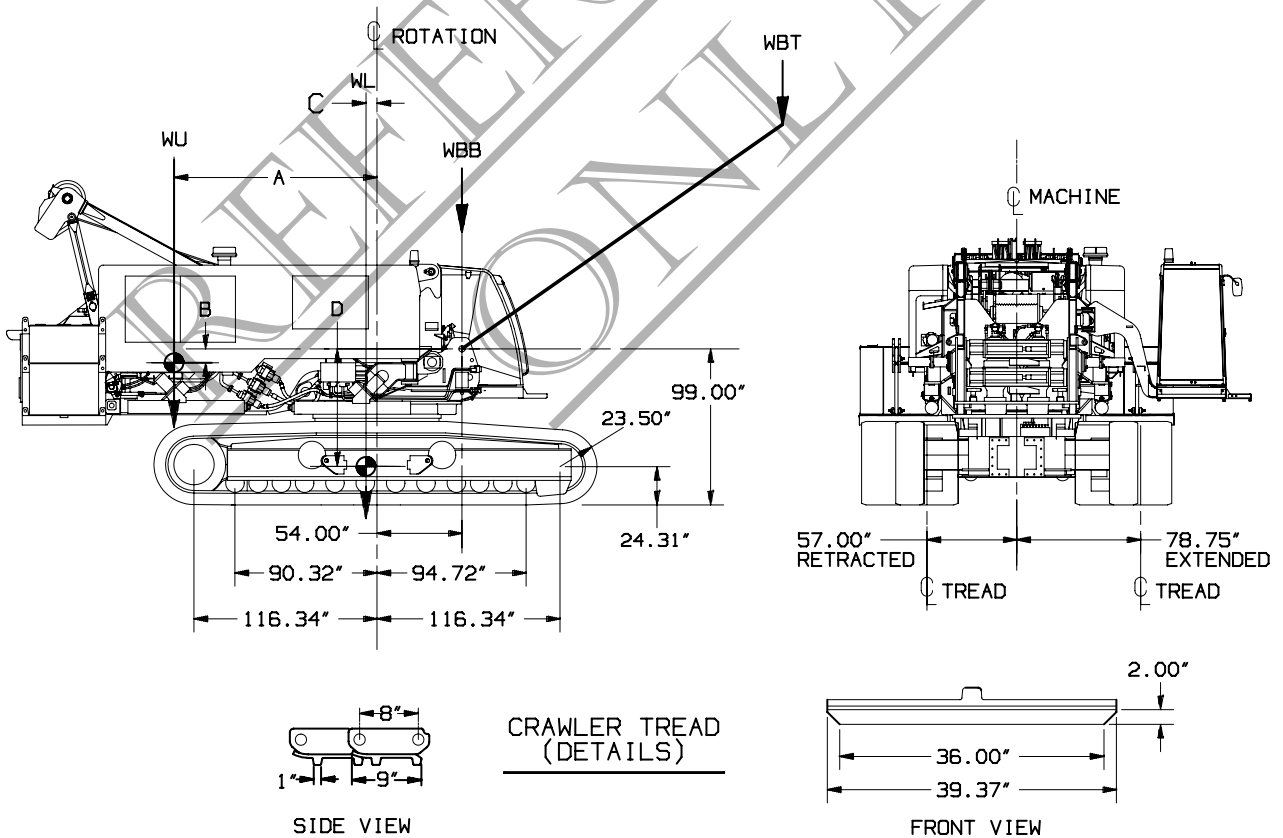
ROTATING UPPERWORKS WEIGHT AND CENTER OF GRAVITY (WU)			
EQUIPPED AS	WEIGHT (lbs)	DIM "A" (in.)	DIM "B" (in.)
1015 (53,000 lb. CTWT) WITH DRILL ATTACHMENT AT 36 ft. RADIUS	185,262	33.5	39.3
LOWERWORKS WEIGHT AND CENTER OF GRAVITY (WL)			
EQUIPPED AS	WEIGHT (lbs)	DIM "C" (in.)	DIM "D" (in.)
1015	99,043	4.2	-73.1
1015 WITH OPTIONAL CARBODY JACKS	100,643	4.1	-73.2

#83 BOOM WEIGHT WITH DRILL ATTACHMENT		
LENGTH (ft.)	WBB (lbs)	WBT (lbs)
105	18,589	18,556

NOTE: 1
BOOM WEIGHT INCLUDES WEIGHT OF BOOM, DRILL ATTACHMENT, PENDANTS ETC.; BUT DO NOT INCLUDE WEIGHT OF LOAD, LOAD BLOCK, ETC.; ALL ITEMS SUSPENDED FROM BOOM MUST BE CONSIDERED PART OF THE LOAD.

NOTE: 2
BOOM WEIGHTS INCLUDE WEIGHT OF 25 ft. MAST ASSEMBLY

CAUTION: NOT TO BE USED FOR CRANE RATING PURPOSES.



DATE 1-28-10	SCALE DR. JLD	MANITOWOC CRANES, INC. MANITOWOC, WISCONSIN	C G CHART
DWG. NO. T.S. 354	CK. JLD APP.		MODEL 1015
			BOOM NO.83 WITH DRILL ATTACHMENT