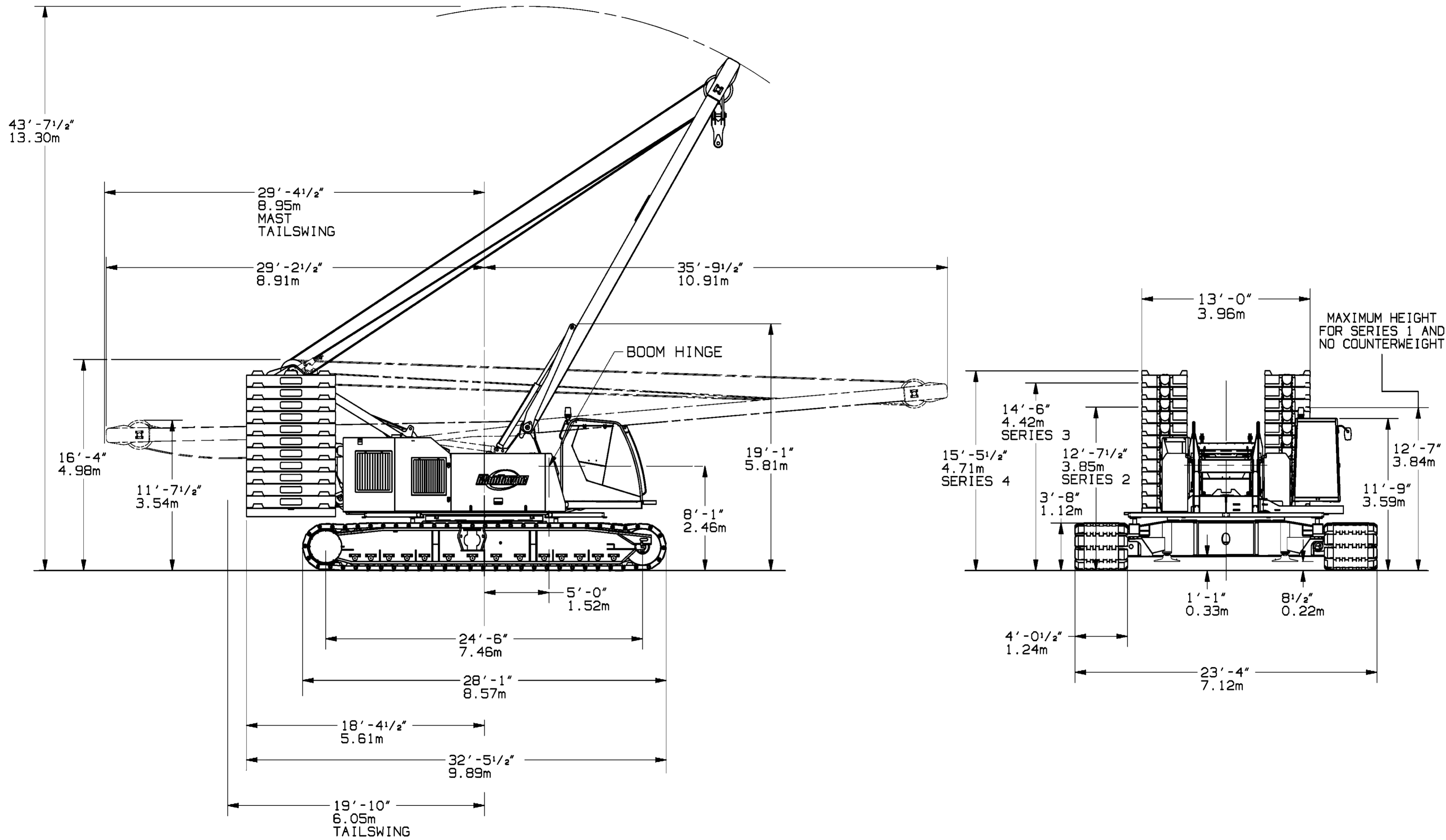


BILL OF MATERIAL				
ITEM NO.	SEC.	DESCRIPTION	LENGTH	MATERIAL
NO.	TION		IN.	OR DRG. NO.

ASSEMBLIES USED ON

REVISIONS



DWG. NO. A09789

DATE 01-14-04

PATTERN NO.

DWG. NO. A09789

TOLERANCE UNLESS OTHERWISE SPECIFIED				
DECIMAL PLACES	FABRICATION	MACHINING		
	≤ 10 FEET	> 10 FEET		
(1) PLACE	0.0	±.12	±.18 ±.03	
(2) PLACE	0.00	±.06	±.12 ±.015	
(3) PLACE	0.000	±.006	±.012 ±.005	
ANGLES	±1°30'		±0°30'	

SCALE 3/16"=1'	<b>Manitowoc Cranes, Inc.</b>	DIAGRAM
DR. CDC	Manitowoc, Wisconsin	OUTLINE DIMENSIONS
CK. NVS	MODEL 15000	
APP JRS	SERIES 1,2,3,4	

THIS PRINT REMAINS THE PROPERTY OF MANITOWOC CRANES, INC. ALL INFORMATION CONTAINED THEREON IS CONFIDENTIAL. IT IS LOANED, SUBJECT TO RETURN UPON DEMAND, AND ON EXPRESS CONDITION THAT IT IS NOT TO BE COPIED OR USED DIRECTLY OR INDIRECTLY IN ANY WAY WHATSOEVER DETRIMENTAL TO OUR INTERESTS.

DO NOT SCALE THIS DRAWING