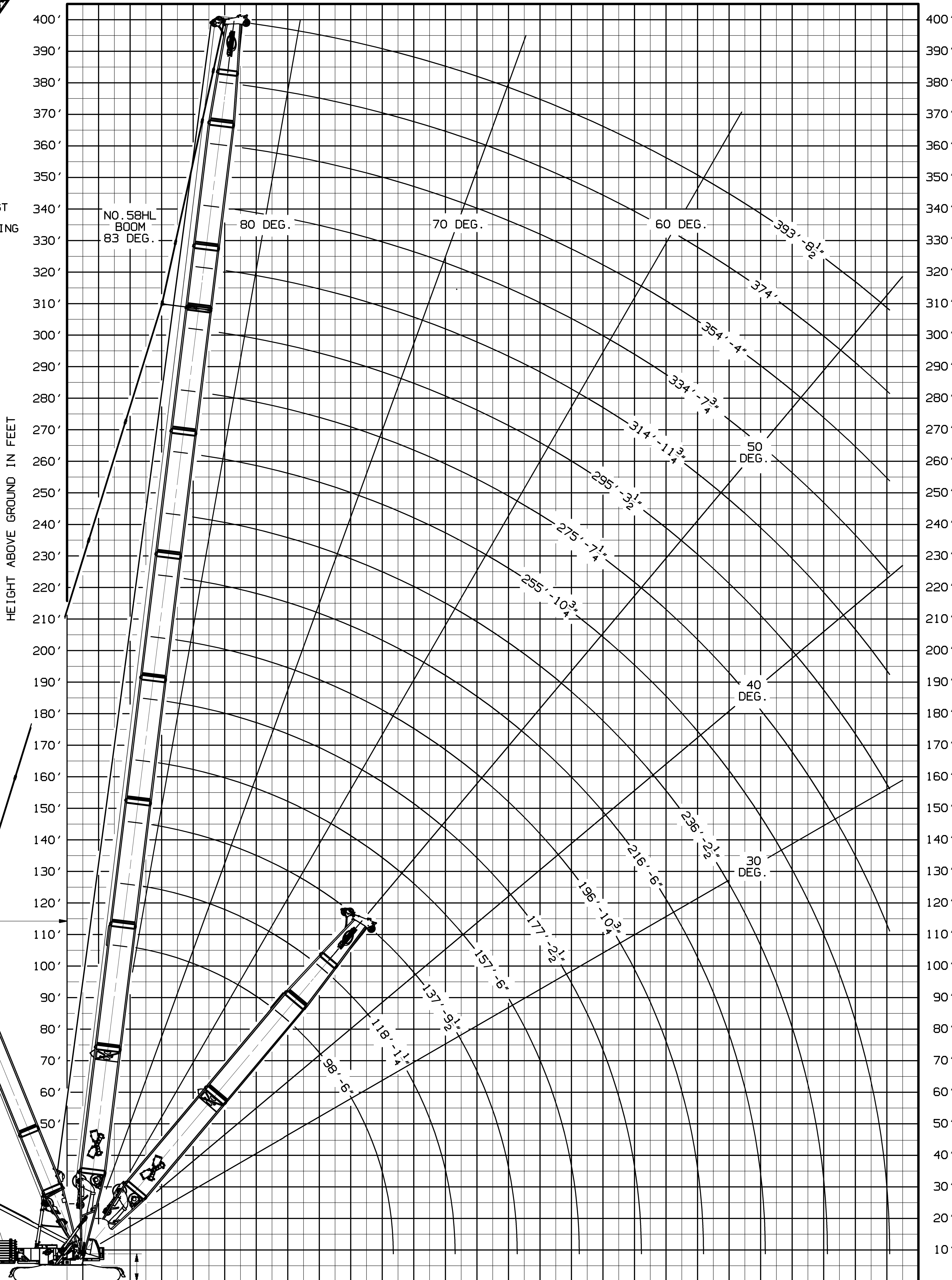


DISTANCE FROM \odot ROTATION IN FEET

10' 20' 30' 40' 50' 60' 70' 80' 90' 100' 110' 120' 130' 140' 150' 160' 170' 180' 190' 200' 210' 220' 230' 240' 250' 260' 270'



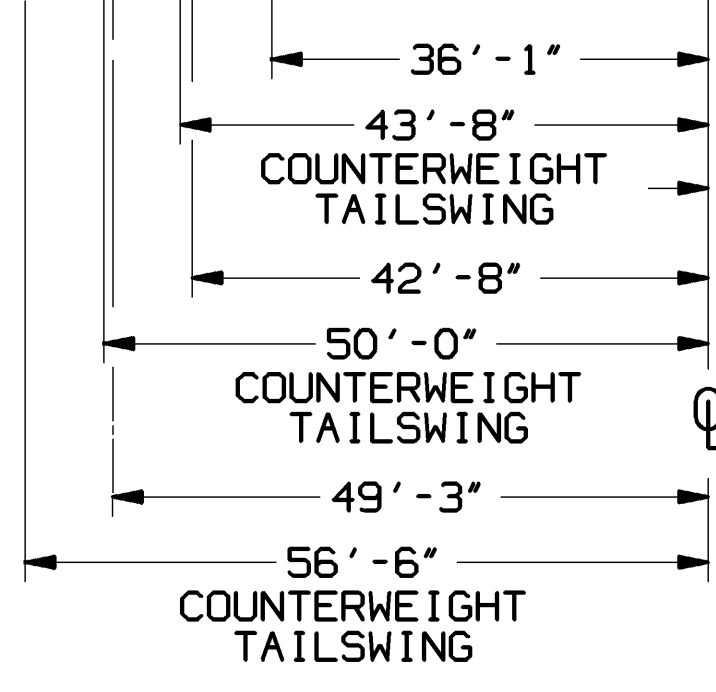
EXTENDED UPPER BOOM POINT
W/98.4' MAST WITHOUT WHEELED/HANGING CARRIER

UPPER BOOM POINT

36'-8 1/2"
MAST TAIL SWING

HEIGHT ABOVE GROUND IN FEET

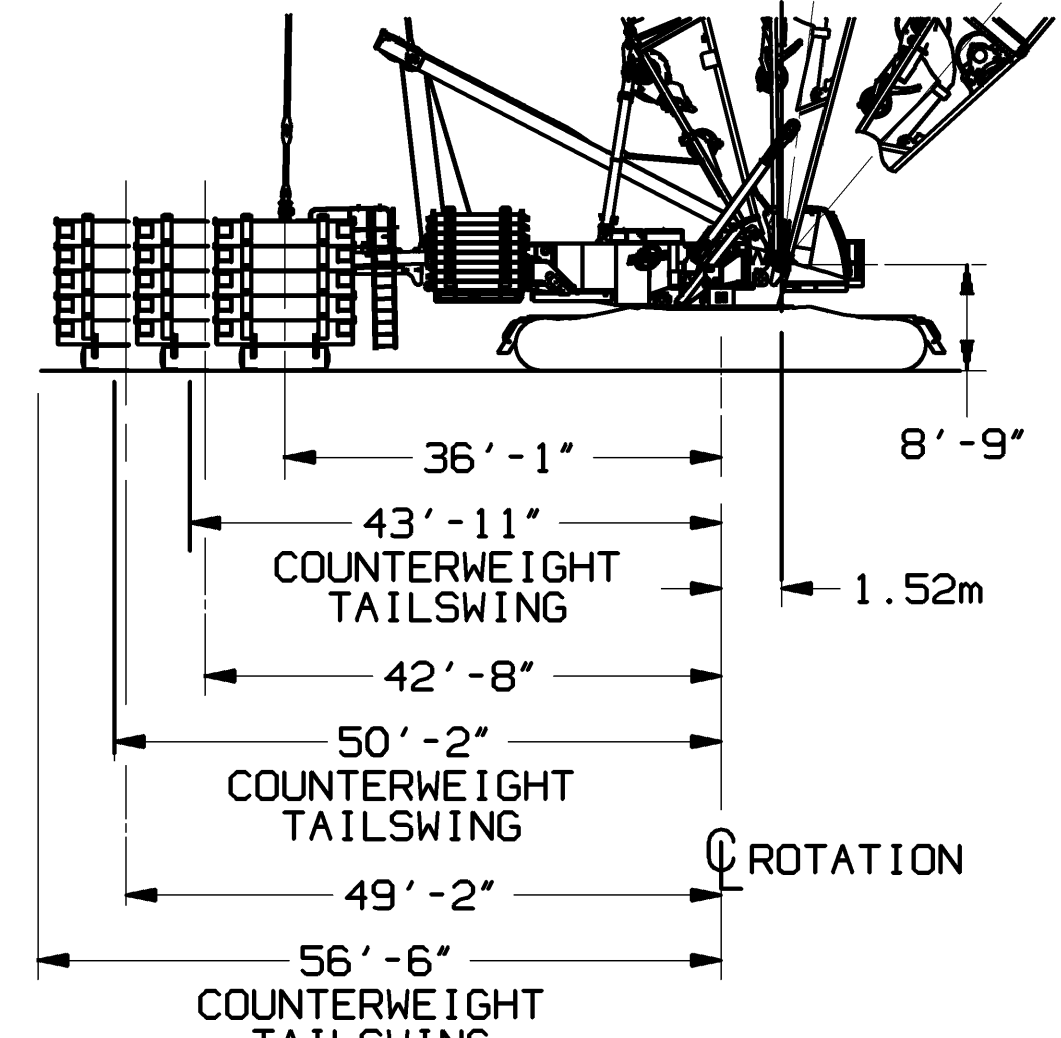
HEIGHT ABOVE GROUND IN FEET



DISTANCE FROM \odot ROTATION IN FEET
SEE SHEET 3 FOR DETAILS

BOOM LENGTHS SHOWN ARE FOR CRANE EQUIPPED WITH SERIES 3 COUNTERWEIGHTS.

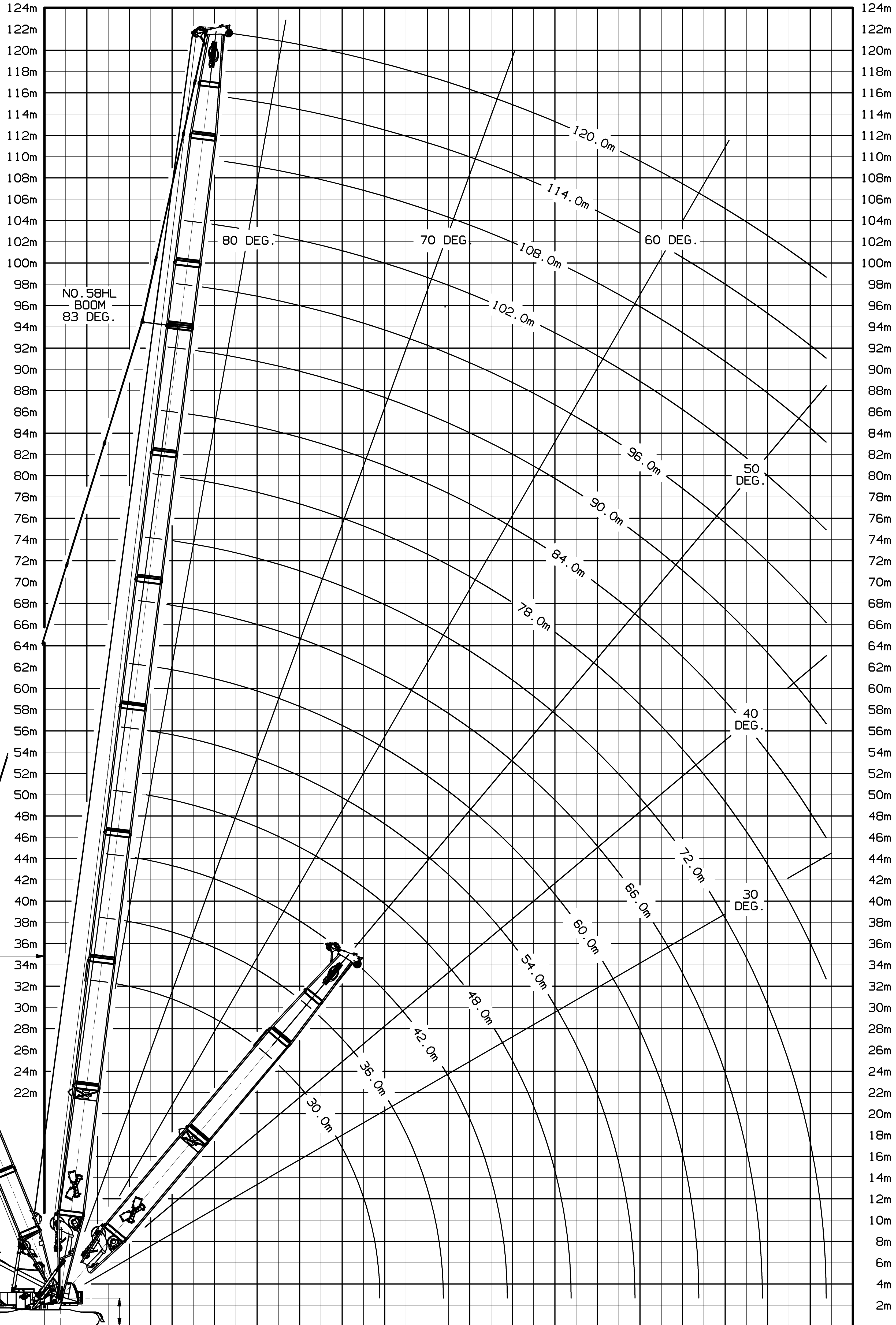
SEE APPROPRIATE CAPACITY CHARTS FOR CONFIGURATIONS.



DATE 11-15-06	SCALE 5/8" = 1'	RANGE DIAGRAM #58HL BOOM	REVISION DATE 11-7-07 NVS
DRAWING NO. A17127	DR: CDC CK: NVS APP: TWB	MODEL 16000 30 M/98.4 FT MAST WITH OR W/OUT WHEELED/HANGING CTWT	

DISTANCE FROM \odot ROTATION IN METERS

2m 4m 6m 8m 10m 12m 14m 16m 18m 20m 22m 24m 26m 28m 30m 32m 34m 36m 38m 40m 42m 44m 46m 48m 50m 52m 54m 56m 58m 60m 62m 64m 66m 68m 70m 72m 74m 76m



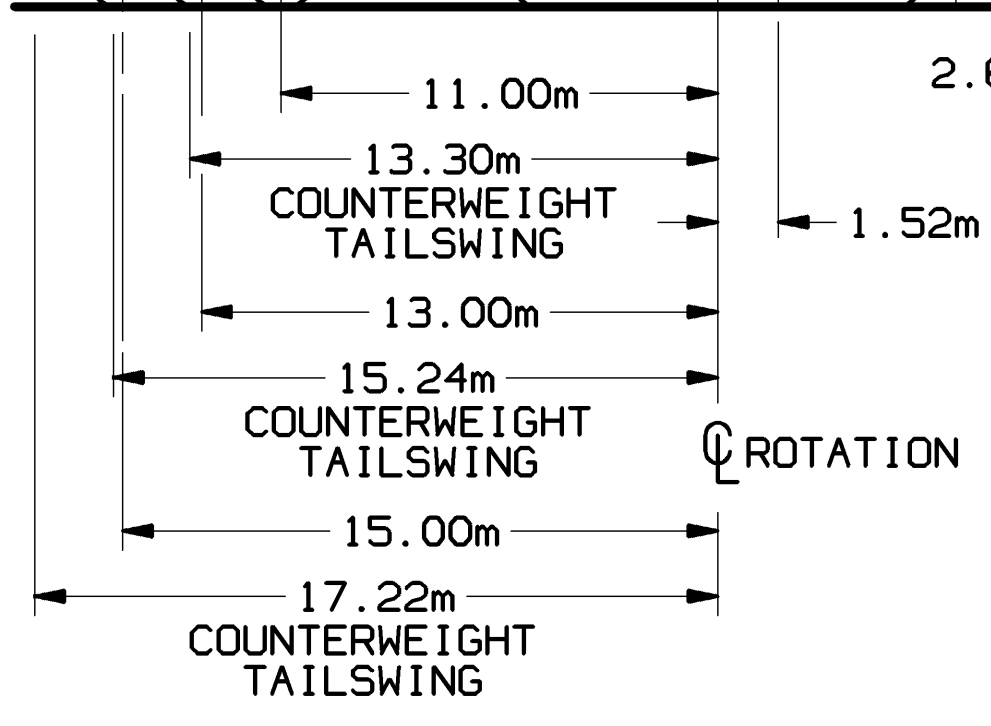
EXTENDED UPPER BOOM POINT W/30 METER MAST WITHOUT WHEELED/HANGING CARRIER

UPPER BOOM POINT

HEIGHT ABOVE GROUND (IN METERS)

HEIGHT ABOVE GROUND (IN METERS)

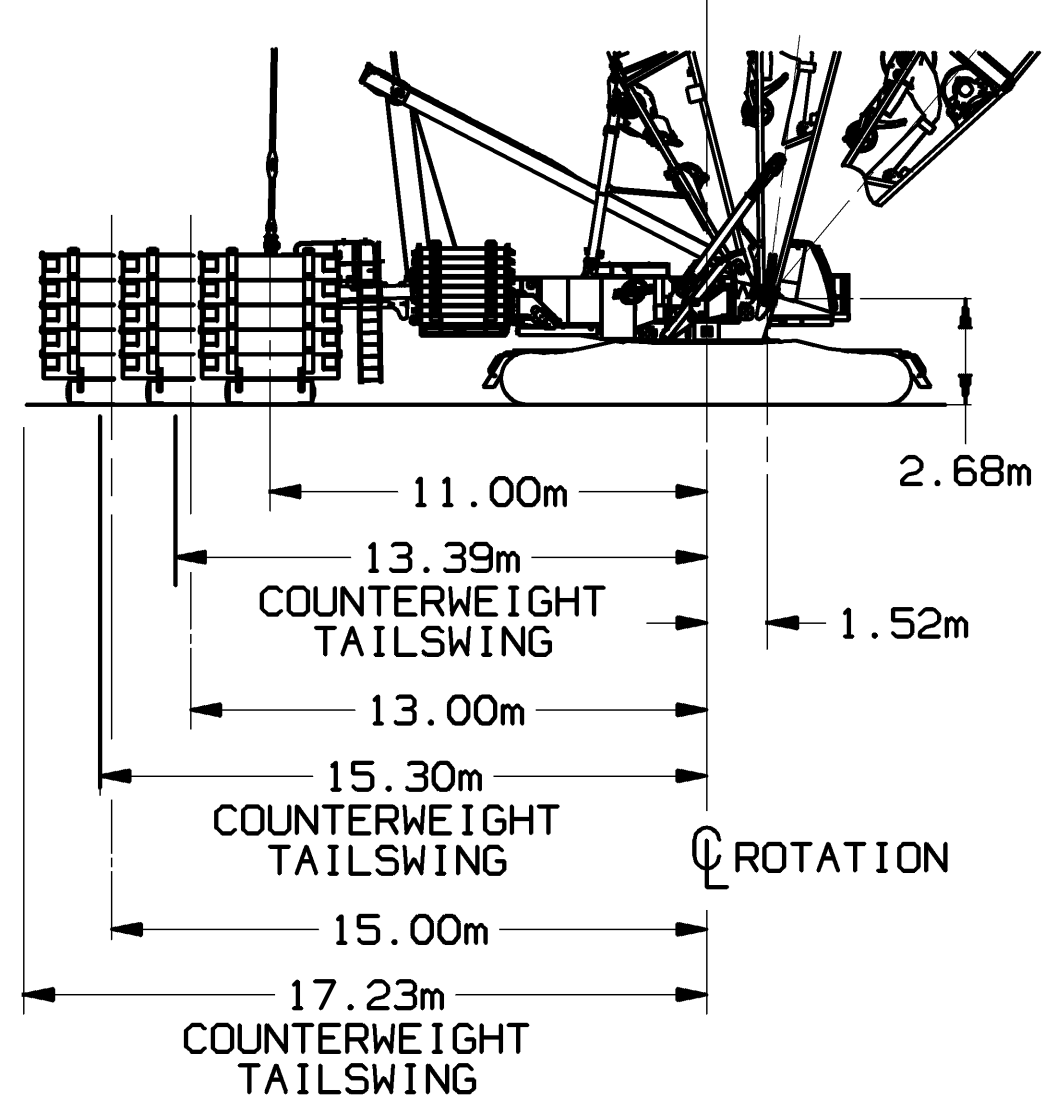
11.19m MAST TAIL SWING



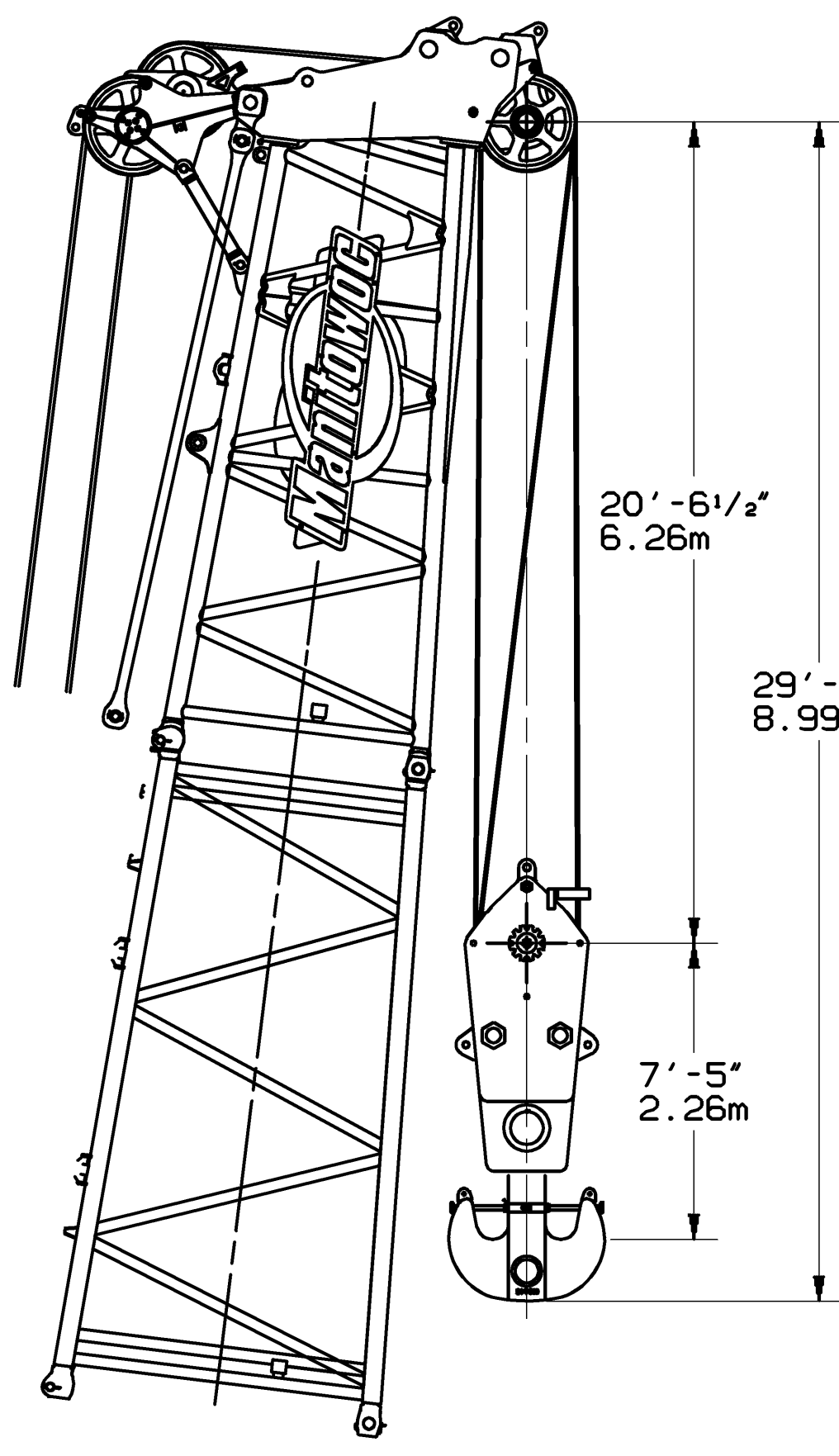
DISTANCE FROM \odot ROTATION IN METERS
SEE SHEET 3 FOR DETAILS

BOOM LENGTHS SHOWN ARE FOR CRANE EQUIPPED WITH SERIES 3 COUNTERWEIGHTS.

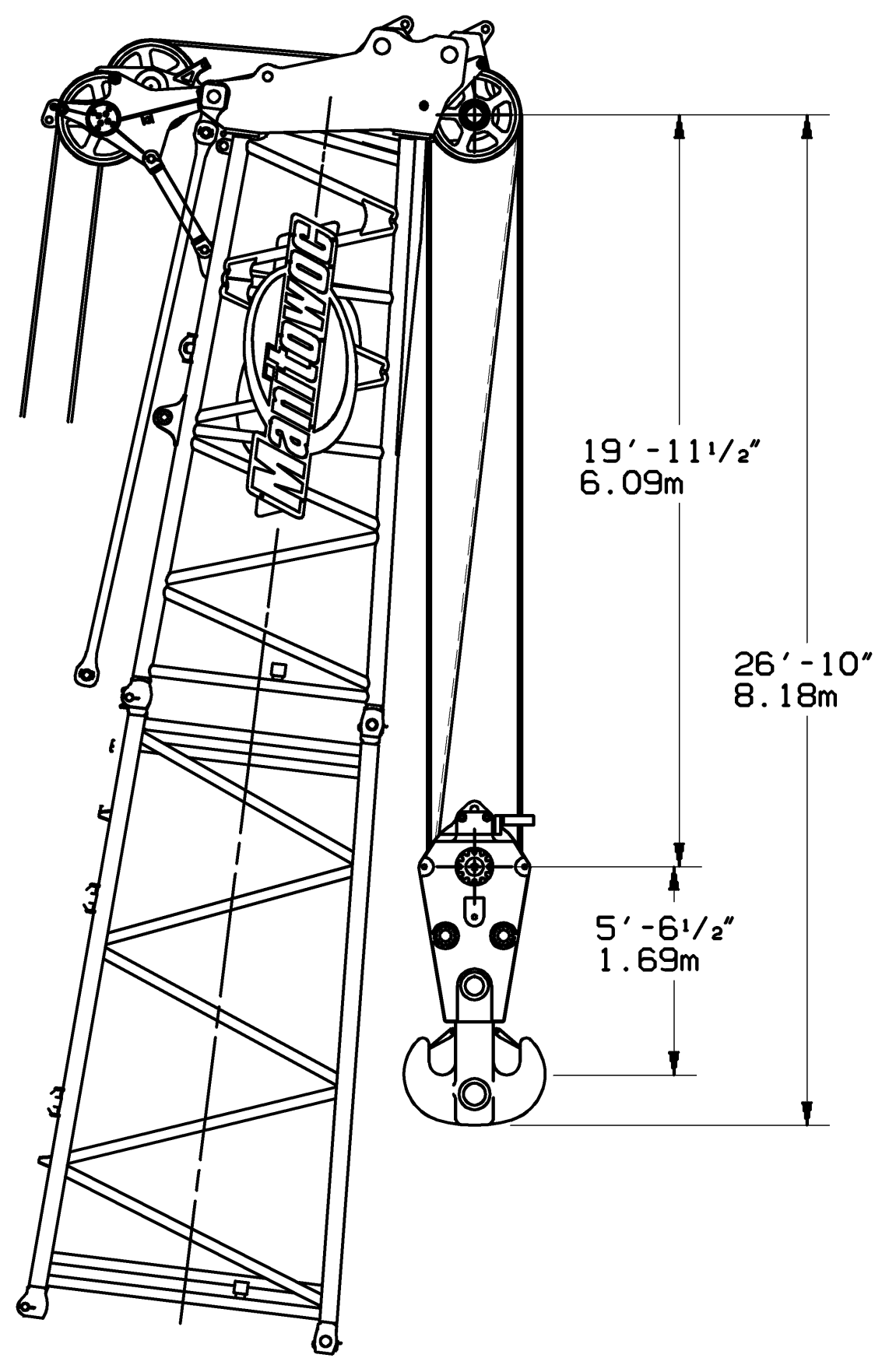
SEE APPROPRIATE CAPACITY CHARTS FOR CONFIGURATIONS.



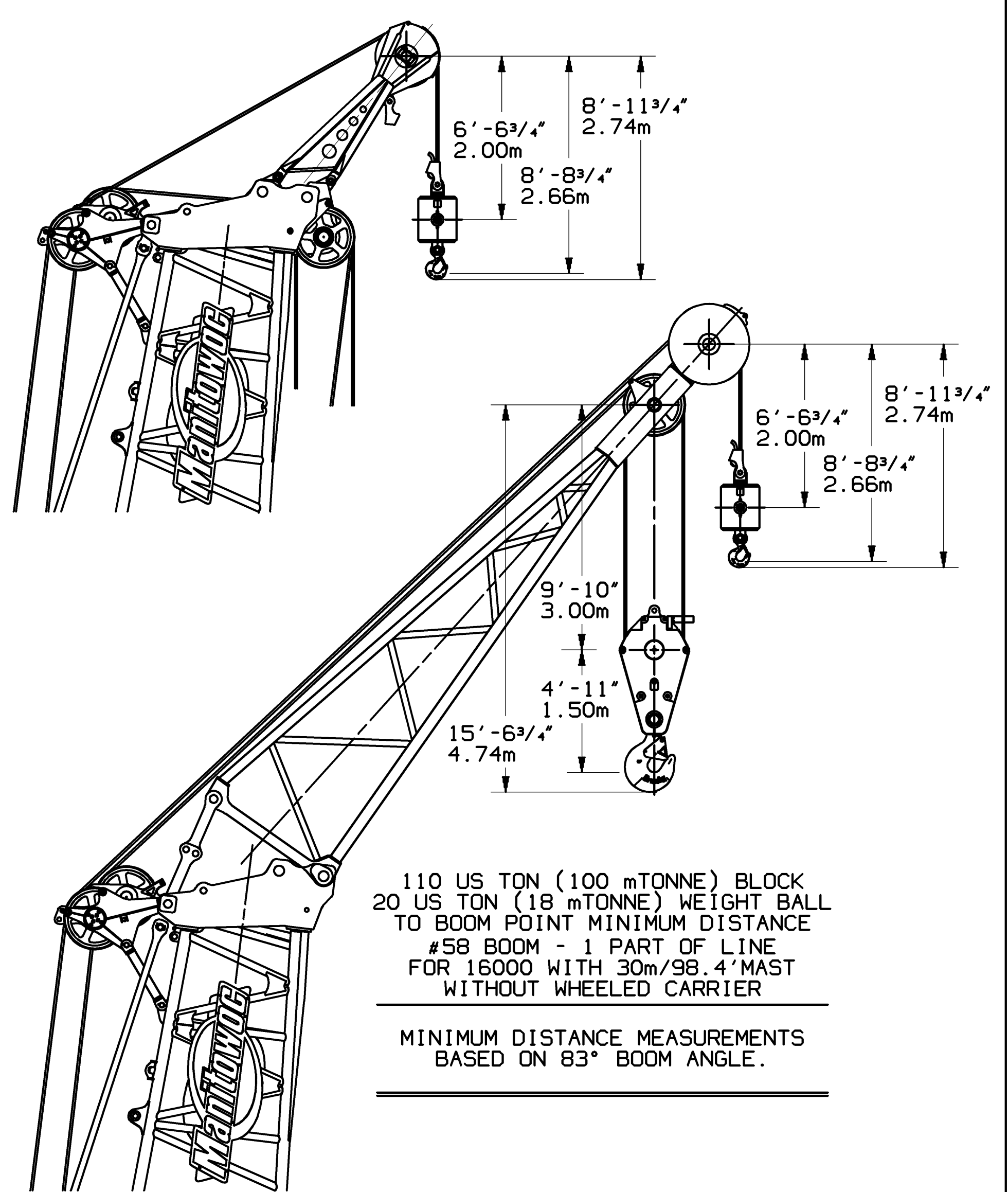
DATE 11-15-06	SCALE 5/8" = 1'	RANGE DIAGRAM #58 HL BOOM	REVISION DATE 11-7-07 NVS
DRAWING NO. A17127	DR: CDC CK: NVS APP: TWB	MODEL 16000 30 M/98.4 FT MAST WITH OR W/OUT WHEELED/HANGING CTWT	



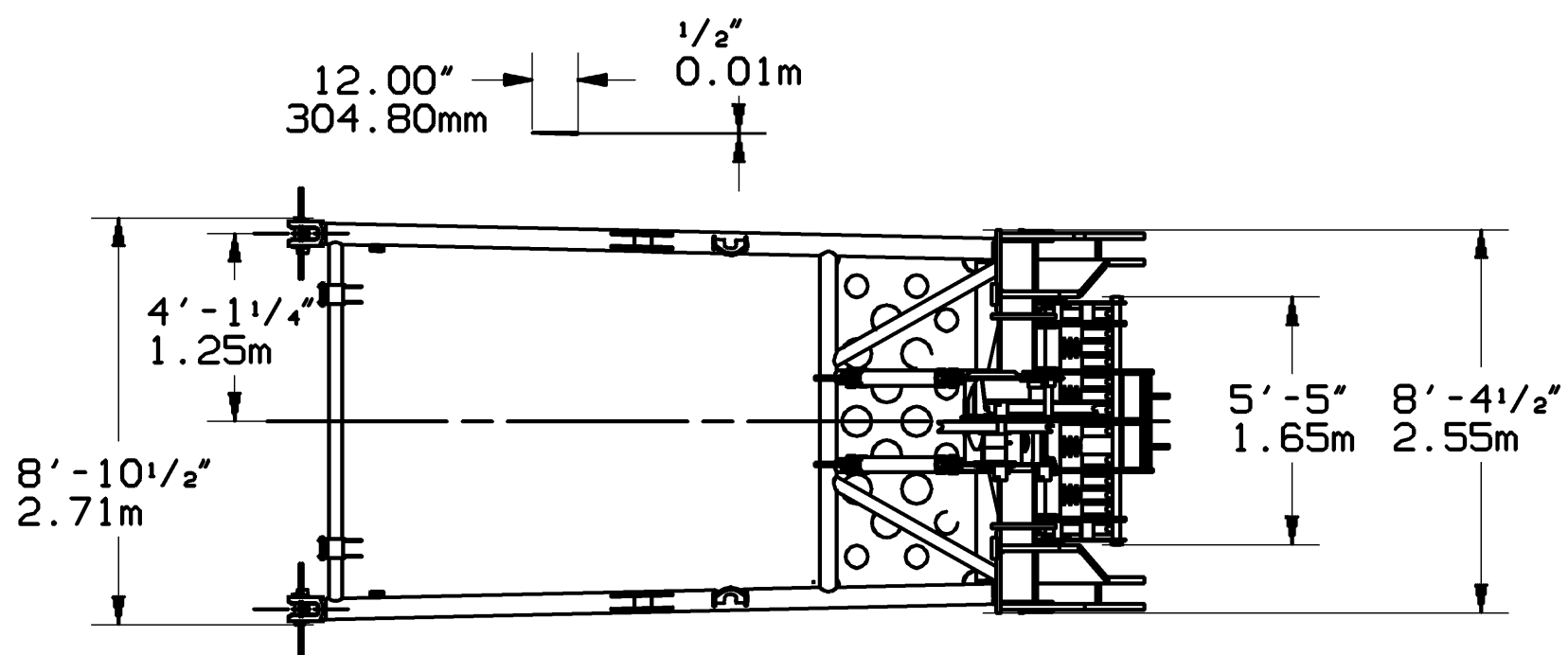
450 US TON (408 mTONNE) BLOCK TO BOOM POINT MINIMUM DISTANCE
#58 BOOM - 1 DRUM 26 PARTS OF LINE
MINIMUM DISTANCE MEASUREMENTS BASED ON 83° BOOM ANGLE.



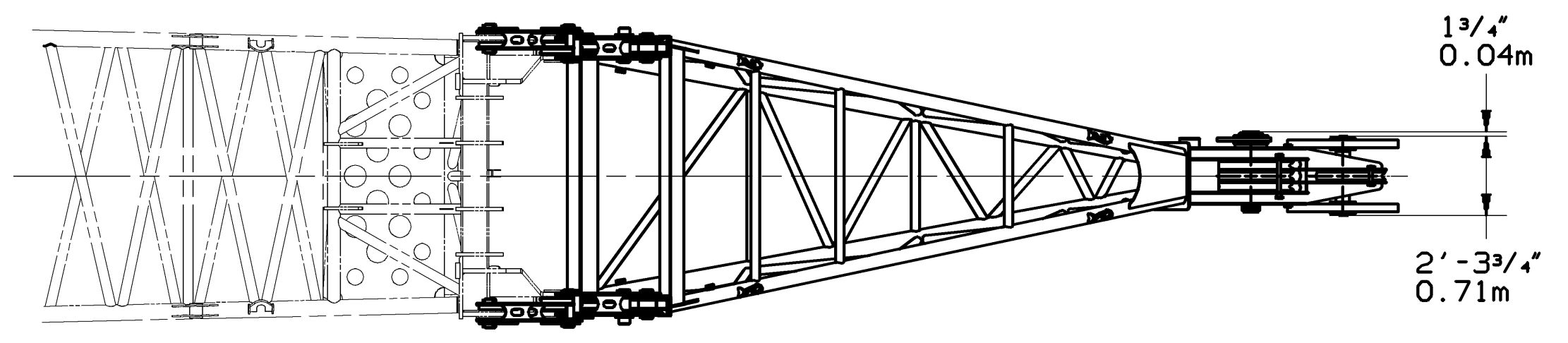
350 US TON (317 mTONNE) BLOCK TO BOOM POINT MINIMUM DISTANCE
#58 BOOM - 1 DRUM 18 PARTS OF LINE
MINIMUM DISTANCE MEASUREMENTS BASED ON 83° BOOM ANGLE.



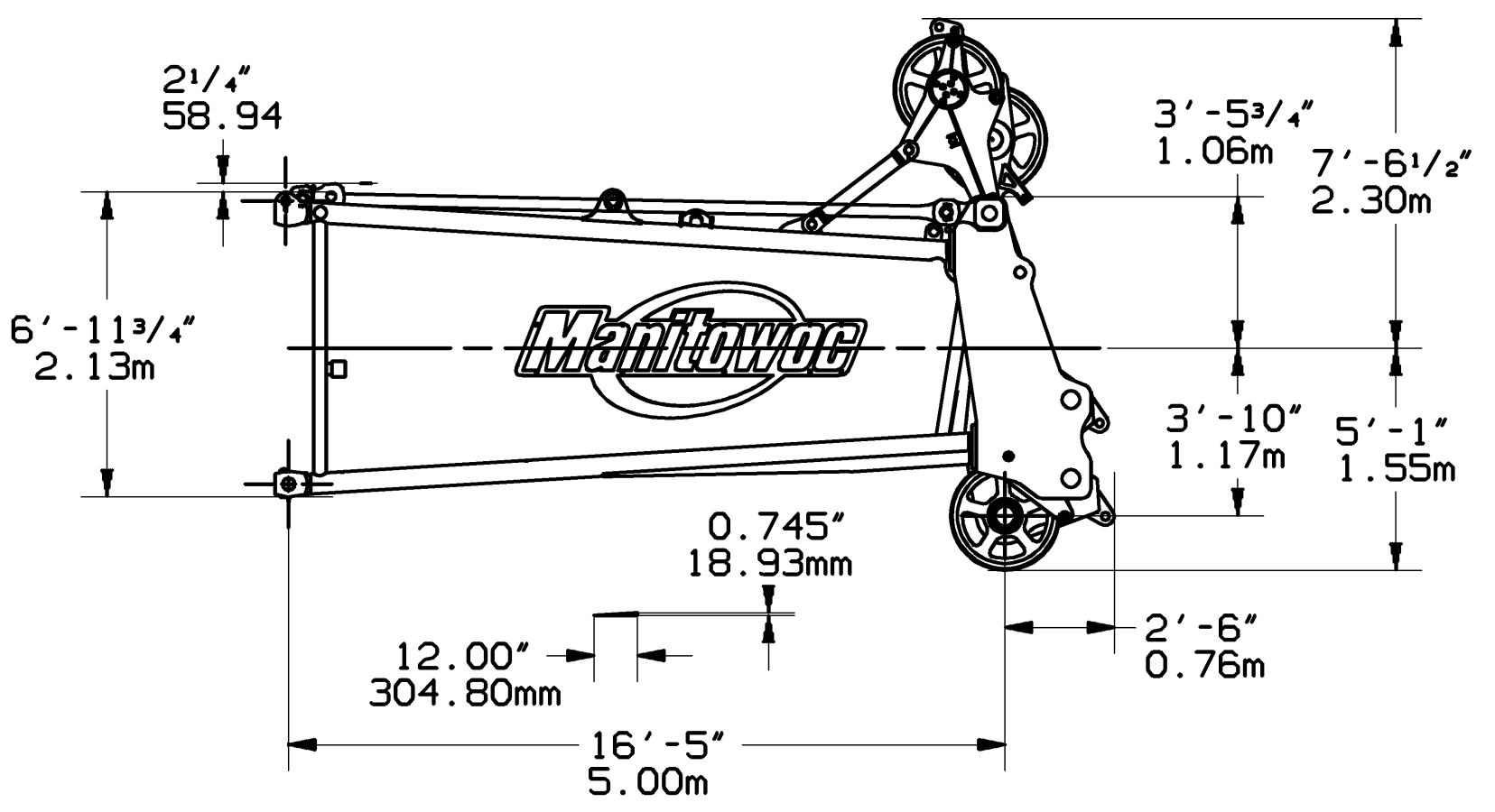
110 US TON (100 mTONNE) BLOCK TO BOOM POINT MINIMUM DISTANCE
20 US TON (18 mTONNE) WEIGHT BALL TO BOOM POINT MINIMUM DISTANCE
#58 BOOM - 1 PART OF LINE FOR 16000 WITH 30m/98.4' MAST WITHOUT WHEELED CARRIER
MINIMUM DISTANCE MEASUREMENTS BASED ON 83° BOOM ANGLE.



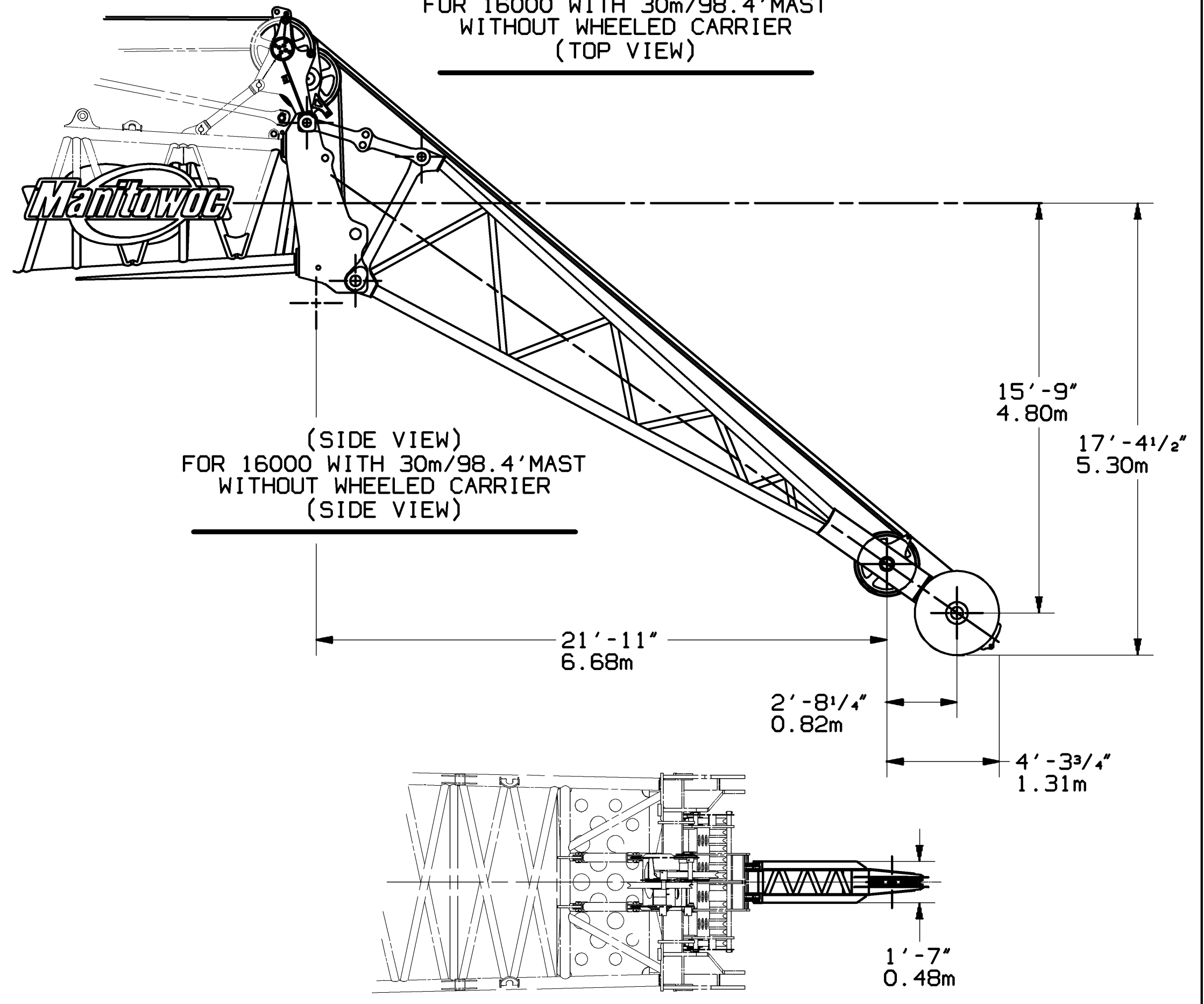
#58 BOOM TOP (TOP VIEW)



EXTENDED UPPER BOOM POINT FOR 16000 WITH 30m/98.4' MAST WITHOUT WHEELED CARRIER (TOP VIEW)

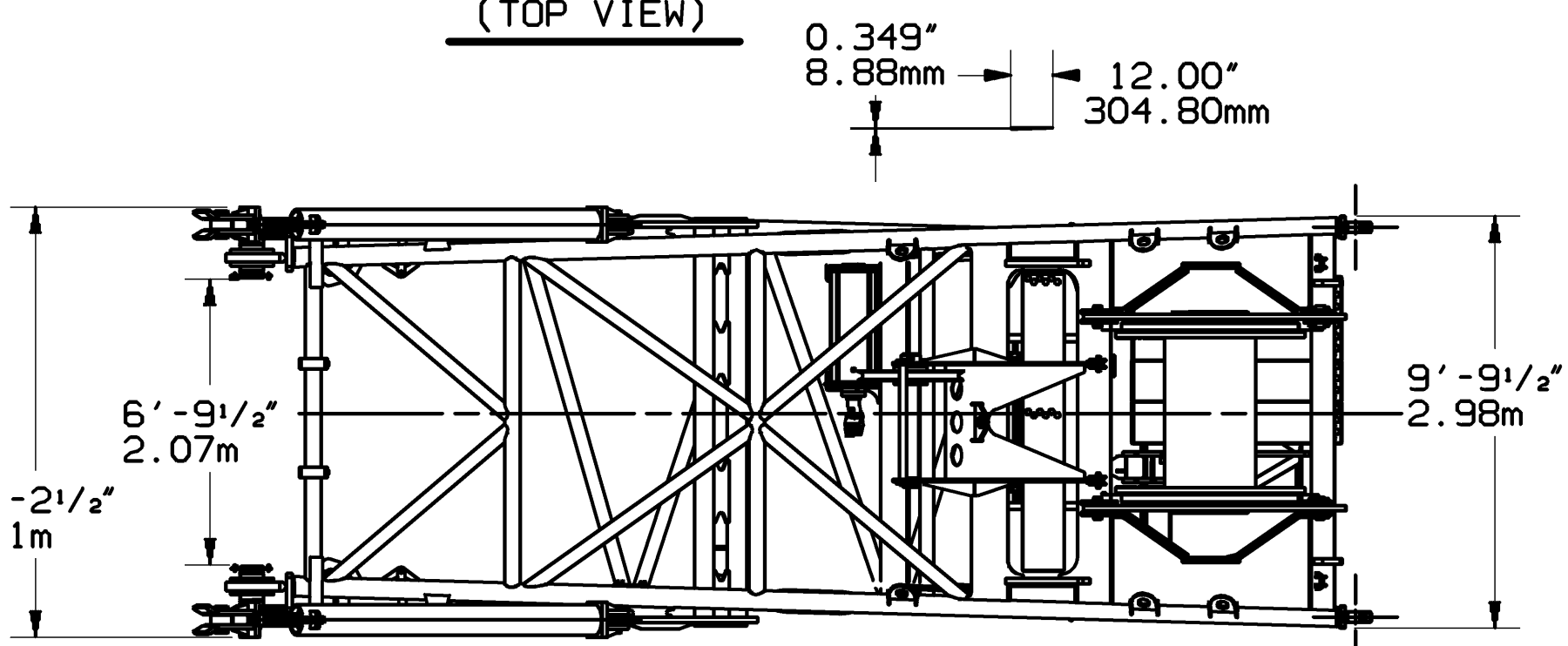


#58 BOOM TOP (TOP VIEW)

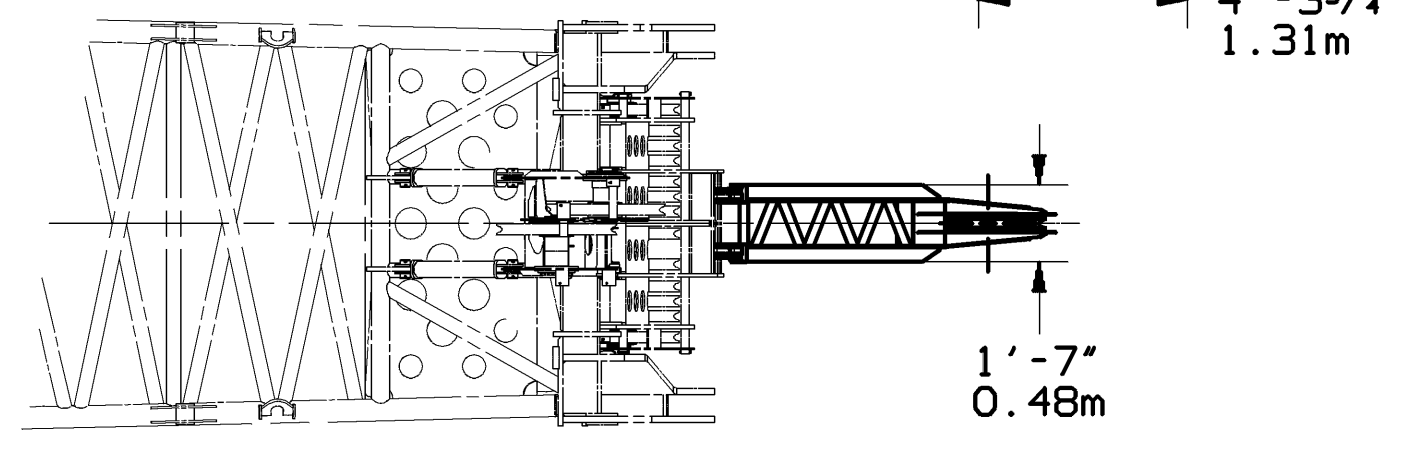


(SIDE VIEW) FOR 16000 WITH 30m/98.4' MAST WITHOUT WHEELED CARRIER (SIDE VIEW)

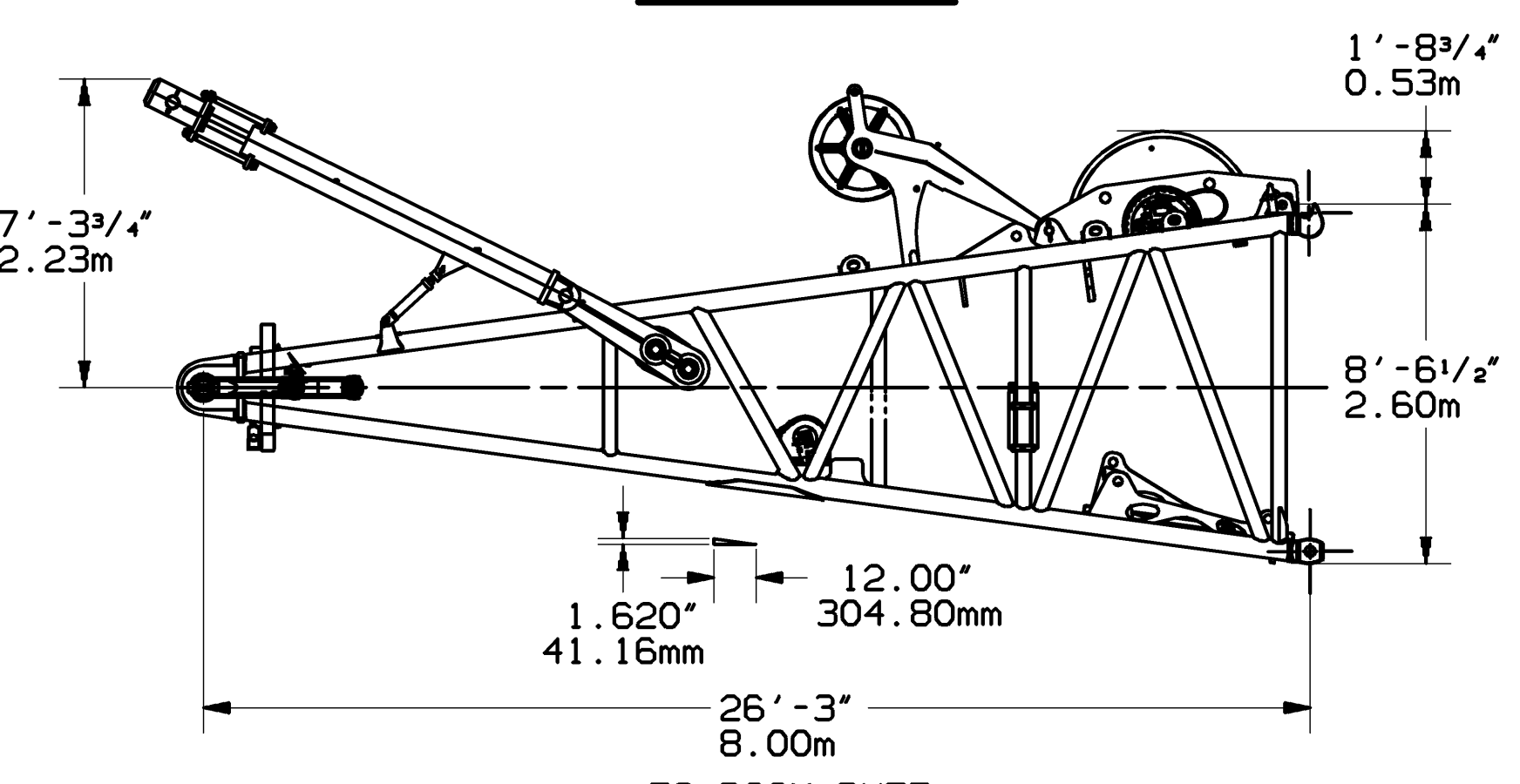
UPPER BOOM POINT (TOP VIEW)



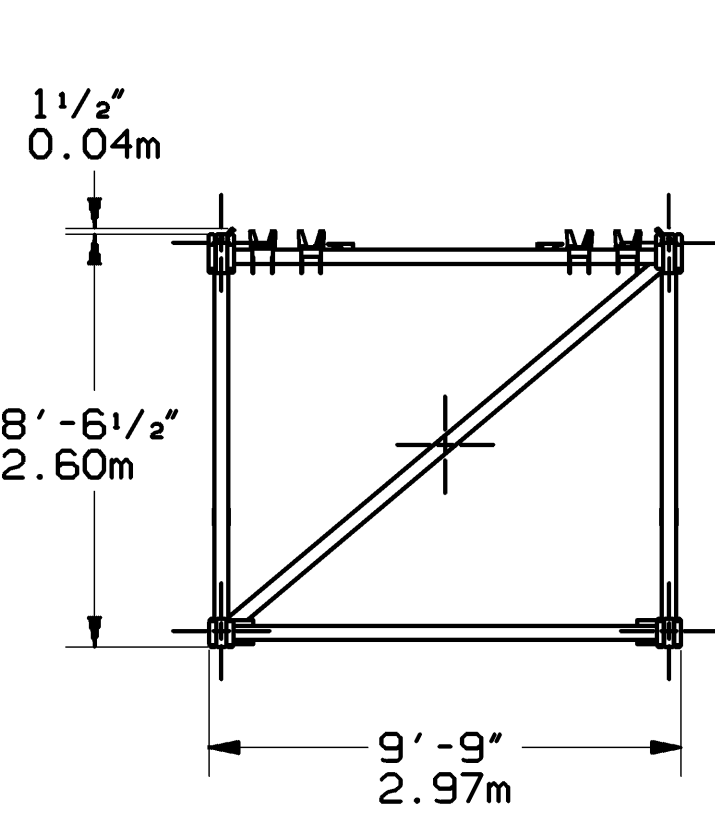
#58 BOOM BUTT (TOP VIEW)



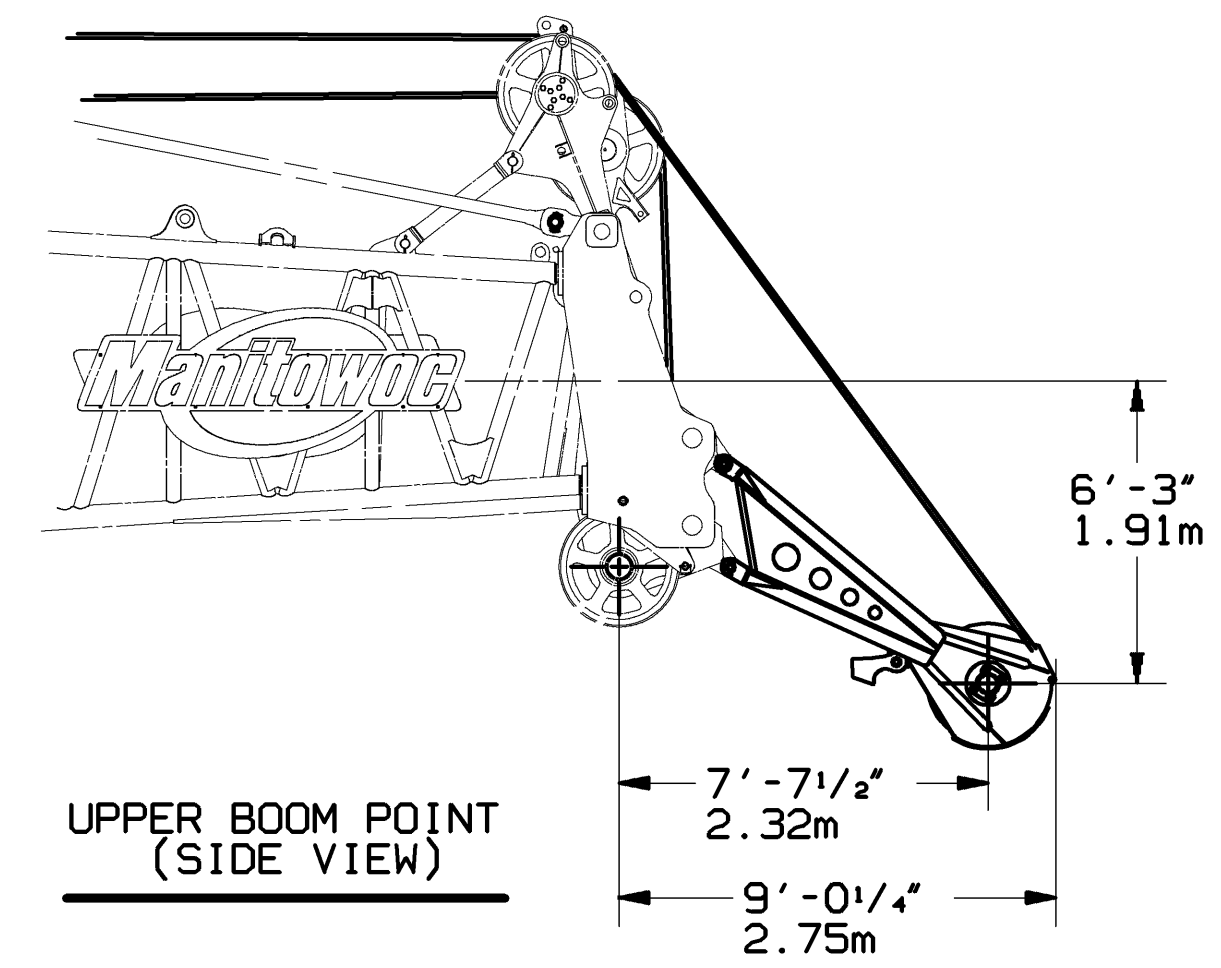
UPPER BOOM POINT (SIDE VIEW)



#58 BOOM BUTT (SIDE VIEW)



#58 BOOM INSERT (END VIEW)



DATE 11-15-06	SCALE 5/8" = 1'	RANGE DIAGRAM #58HL BOOM	REVISION DATE 11-07-07 NVS
DRAWING NO. A17127	DR: CDC CK: NVS APP: TWB	MODEL 16000 30 M/98.4 FT MAST WITH OR W/OUT WHEELED/HANGING CTWT	