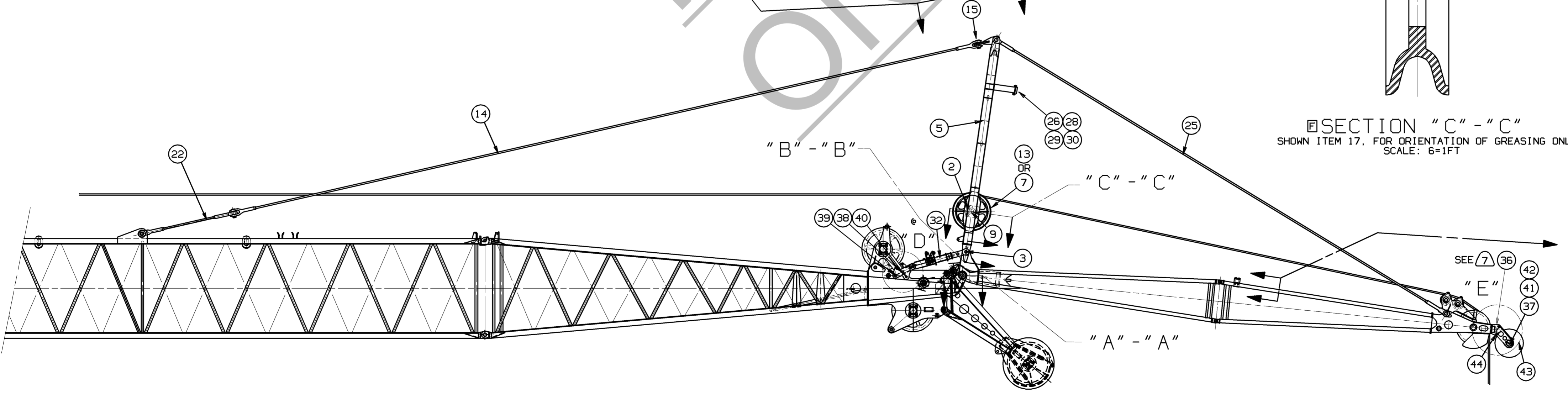
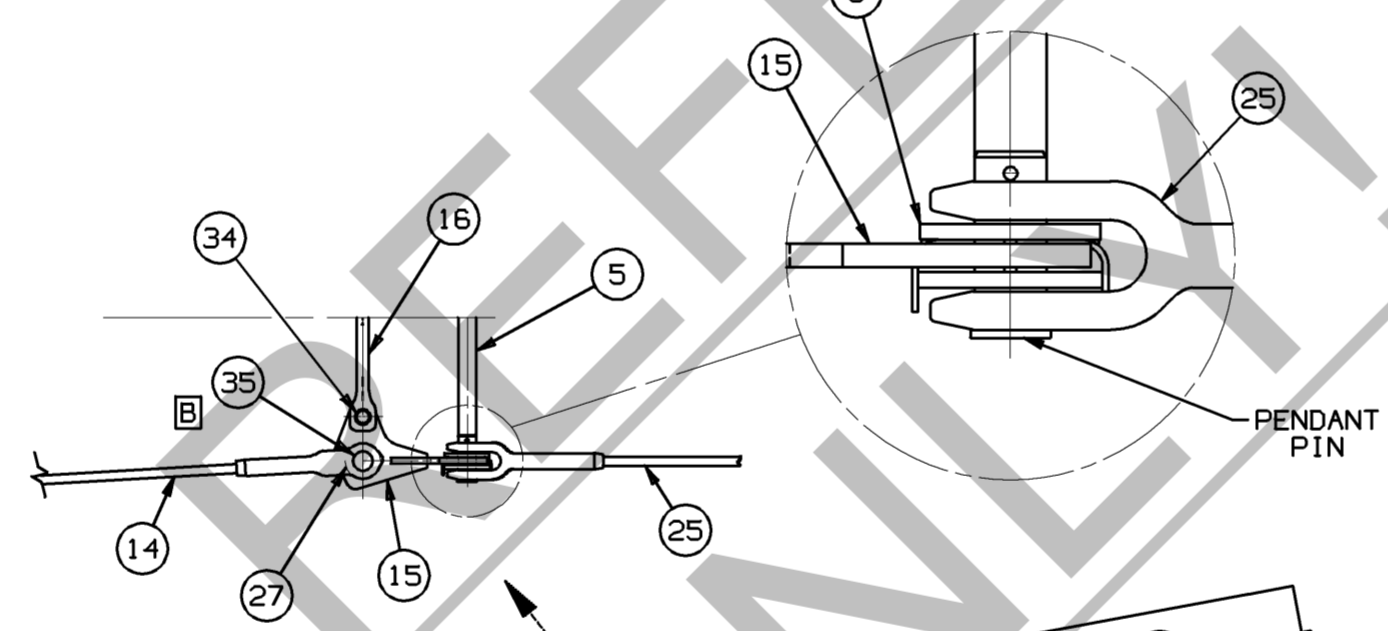
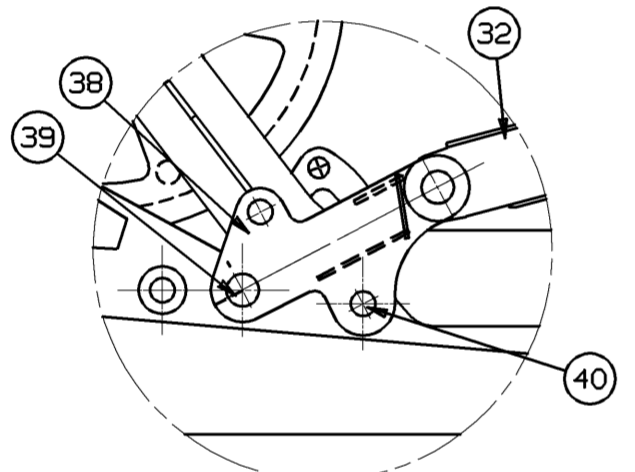
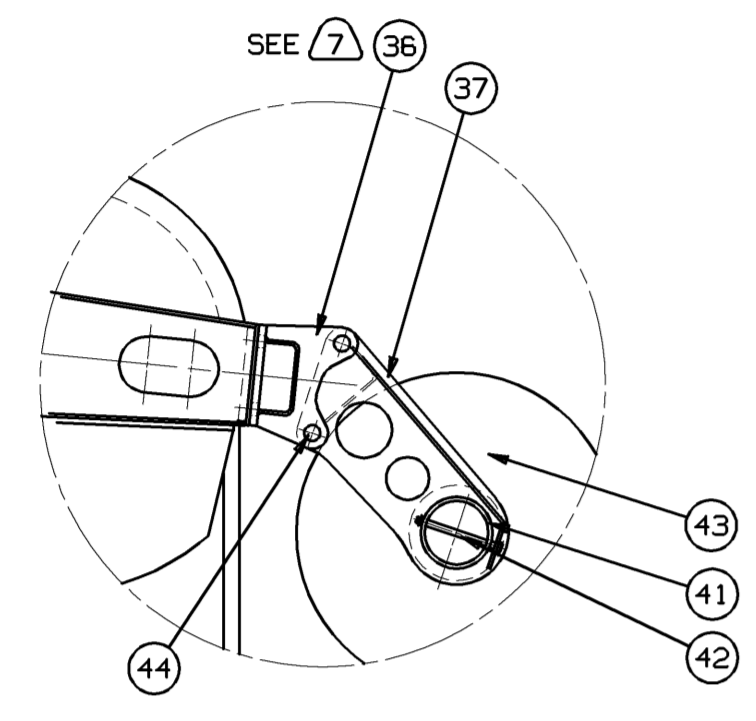
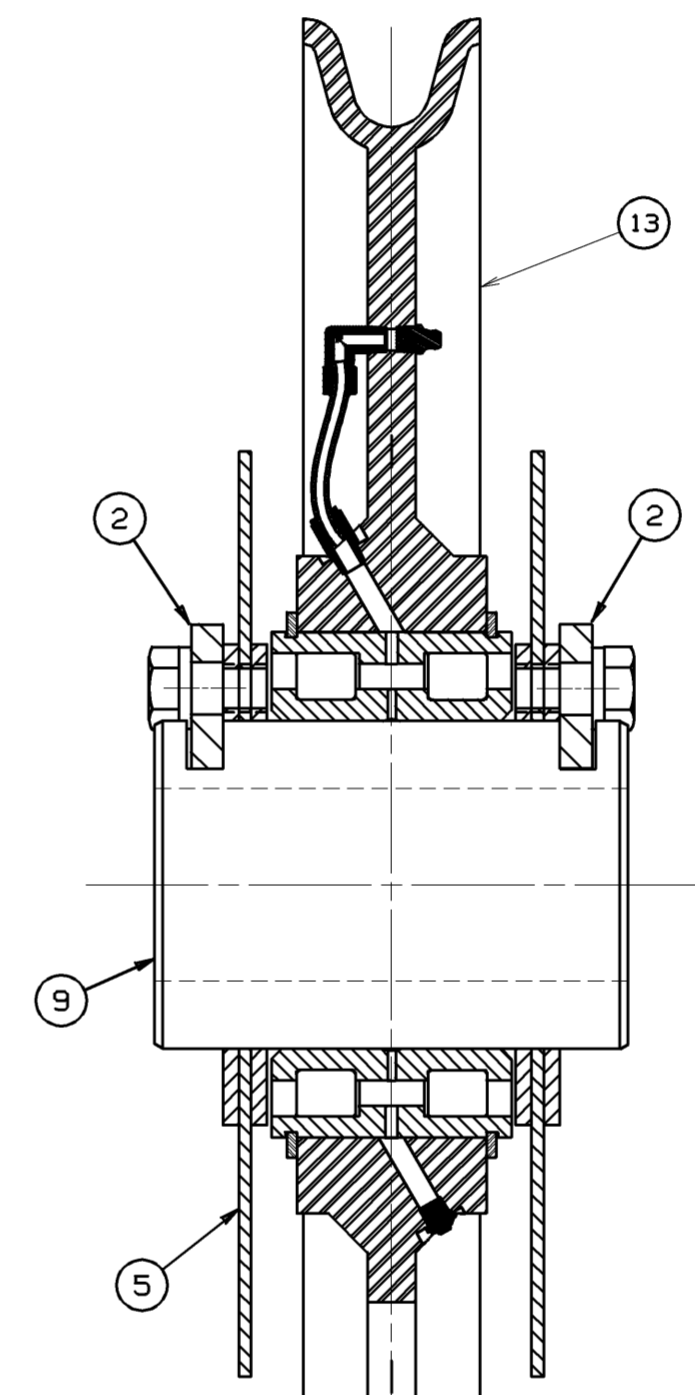
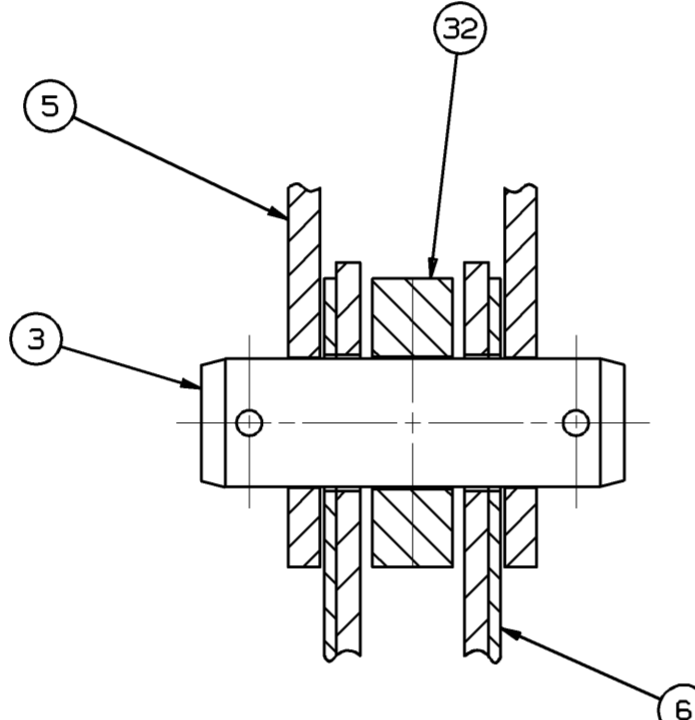
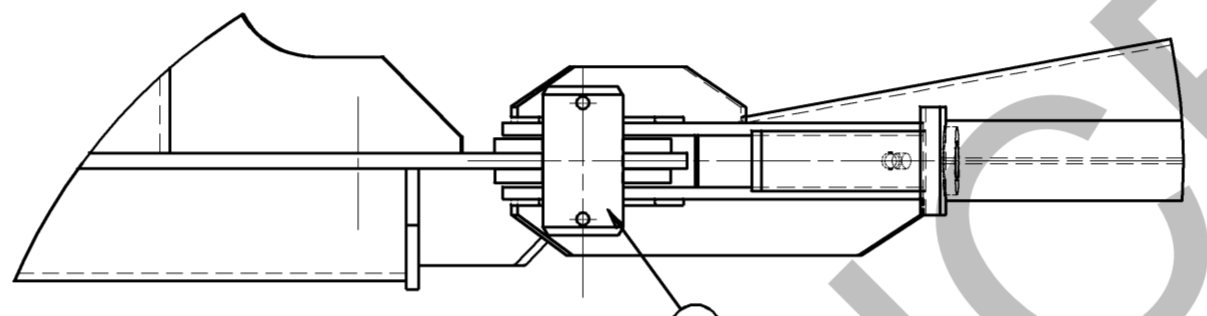
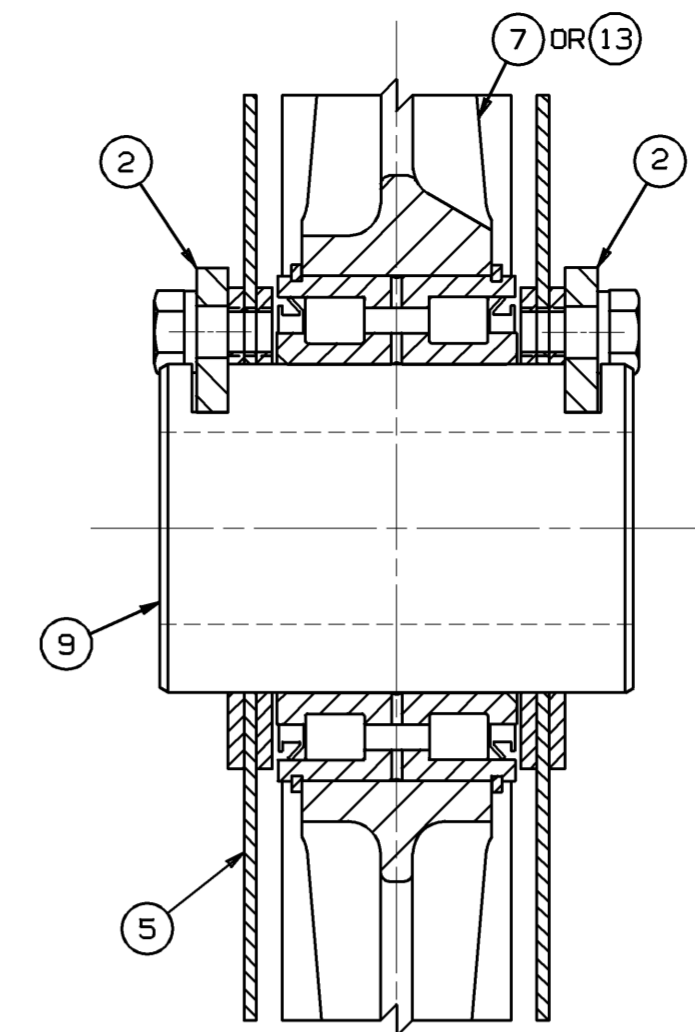
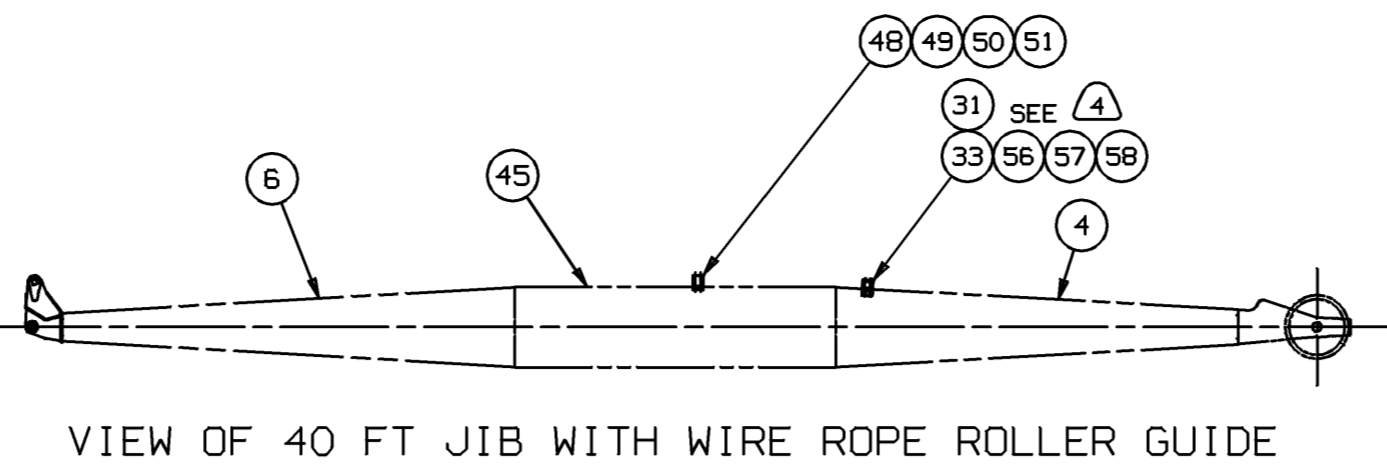


REQUIRED FOR VARIOUS JIB LENGTHS (S)

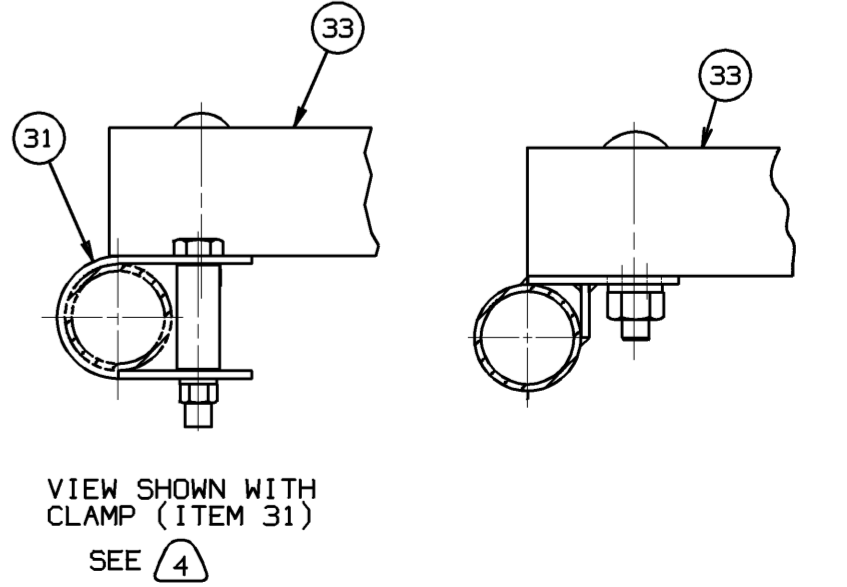
DESCRIPTION

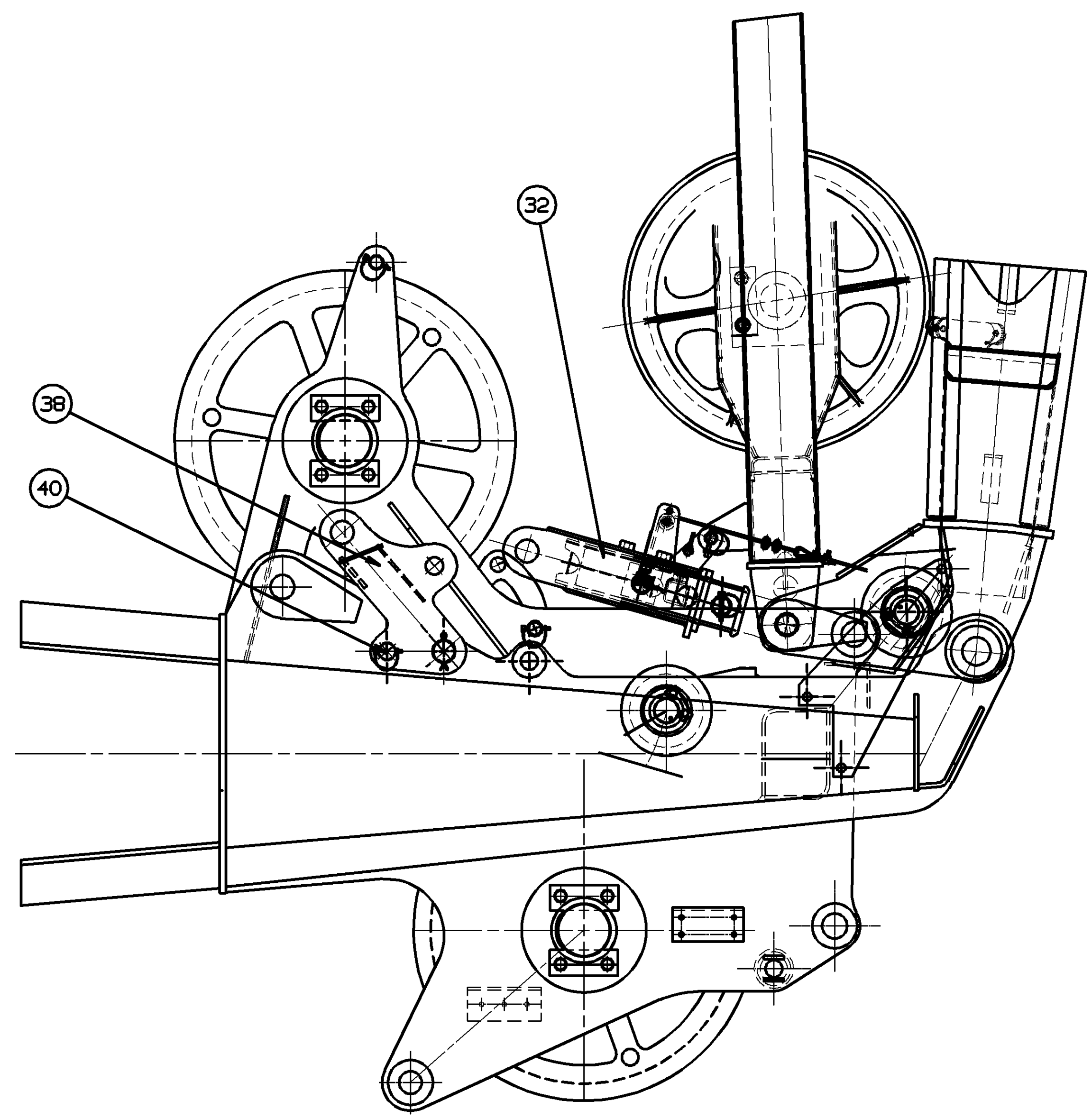
JIB LENGTH		INSERT 10 FT-00 (3.05 M) ITEM 45	INSERT 20 FT-00 (6.10 M) ITEM 52	PENDANT 9 FT-6.00 (2.89 M) ITEM 46	PENDANT 19 FT-00 (5.79 M) ITEM 53	PIN JIB JOINT ITEM 47 OR 54	TIMBER ITEM 48	BOLT ITEM 49	LOCK NUT ITEM 50	WASHER ITEM 51
40	12.19	1	0	2	0	4	1	4	4	8
50	15.24	OR 2	0	4	0	8	2	8	8	16
60	18.29	OR 3	0	6	0	12	3	12	12	24
70	21.33	OR 2	0	4	4	8	4	16	16	32
80	24.38	OR 3	1	6	2	16	5	20	20	40



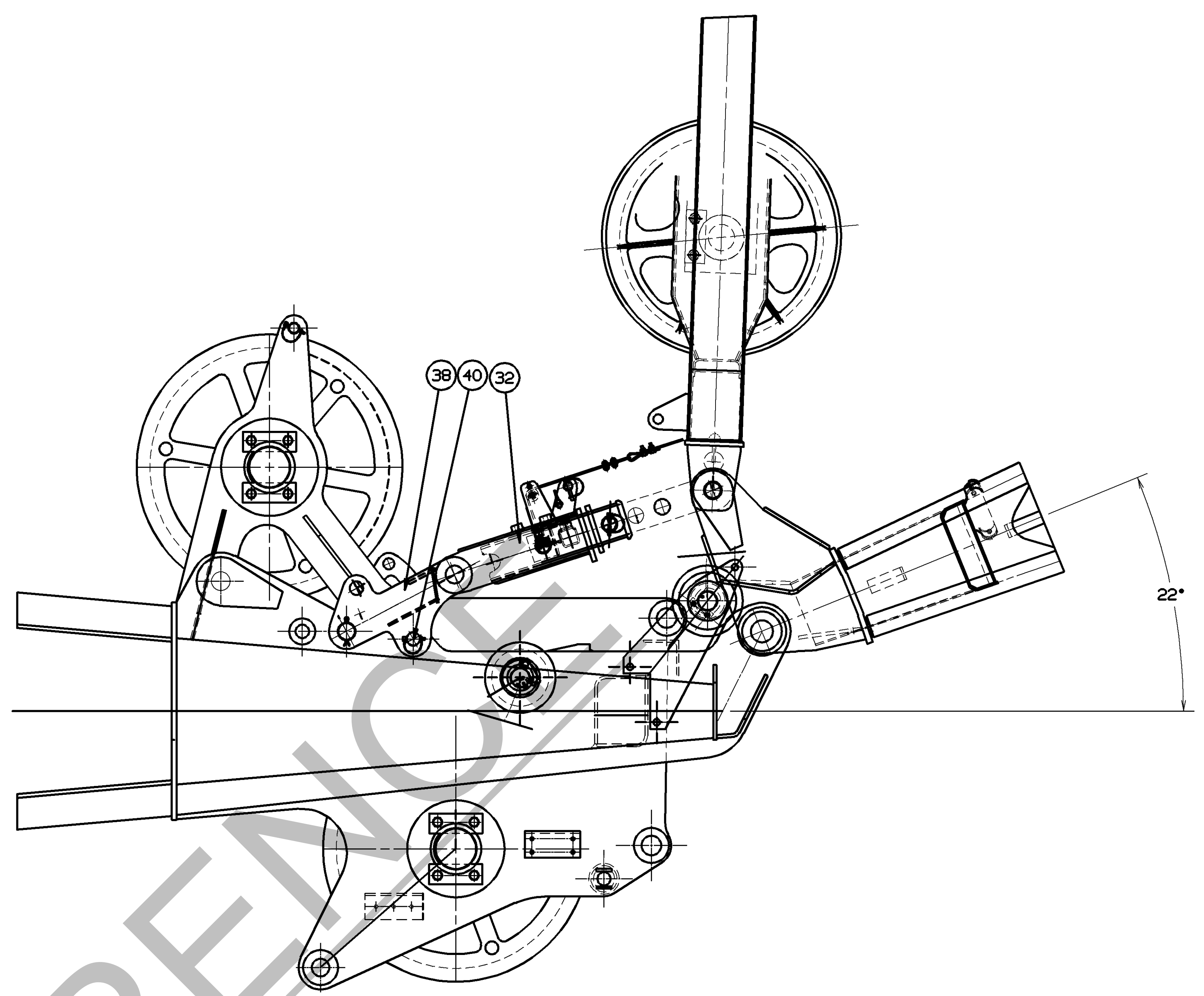
ITEM NO.	QTY	DESCRIPTION	MATERIAL	QTY	ASSEMBLY
0920-1080 #134 JIB ASSEMBLY					
1					
2	2	KEEPER		169810	
3	2	PIN		170851	
4	1	JIB TOP 15 FT-0 (4.57 M)		32948	
5	1	STRUT 12 FT-6 (3.81 M)		177131	
6	1	JIB BUTT 15 FT-0 (4.57 M)		177054	
7	1	SHEAVE ASSEMBLY		176799	
8	2	PIN		75052	
9	1	PIN		177219	
10	4	PIN		76225	
11	1	UNIVERSAL WIRE ROPE ANCHOR JOINT		90317	
12	1	JIB POINT SHAFT		90318	
13	1	SHEAVE WIRE ROPE ASSY		8100742	
14	2	PENDANT 44 FT-7 (13.6 M)		277432	
15	2	LINK		177295	
16	1	LINK		177296	
17					
18					
19					
20					
21					
22	2	PENDANT 5 FT 6.00 (1.68 M)		277515	
23					
24	2	PIN		177397	
25	2	PENDANT 30 FT-9.00 (9.37 M)		277430	
26	2	RUBBER BUMPER		285220	
27	4	SPACER		196278	
28	4	SCR HEX .375-16UNC-2A X 1.25 GR5		612456	
29	4	NUT HEX .375-16 UNC-2B		546054	
30	4	LOCKWASHER .375		710304	
31	2	CLAMP		177473	
32	1	JIB STOP ASSEMBLY		179332	
33	1	TIMBER 27.00 LG X 3.50 W		81017678	
34	2	PIN		177301	
35	2	PIN		177303	
36	1	BRACKET JIB EXTENSION ROLLER		196474	
37	1	ROLLER FRAME		194613	
38	2	LINK BACKSTOP		A00714	
39	2	PIN		196467	
40	2	PIN		196468	
41	1	ROLLER SHAFT		194614	
42	2	SHAFT END PIN		194615	
43	1	ROLLER		602178	
44	2	PIN		195330	
56	4	HHCS 5/8-11UNC X 5.00 GR 5		612685	
57	4	HEX LOCK NUT 5/8-11UNC Gr5.2		7660201601	
58	8	WASHER FLAT .625		709747	

- (D) MINIMUM DOOM LENGTH REQ'D FOR JIB = 120 FT.
- (AB) (2) ON DWG. A02422
- (AC) (3) ON DWG. A02308
- (4) REQ'D FOR JIB TOPS NOT EQUIPPED WITH TIMBER MOUNTING BRACKETS.
- (5) INSERTS AND CORRESPONDING PENDANTS MUST BE INSTALLED IN ORDER OF ASCENDING LENGTH STARTING AT JIB BUTT.
- (6) ON DWG. 169732
- (A) (7) REPLACES ITEM 42 ON DWG. 32948 (15 FT-0 JIB TOP).
- (AA) (8) ATTACH TIMBERS SO THEY ARE FREE TO SLIDE UNDER THERMAL EXPANSION/CONTRACTION OF PLASTIC

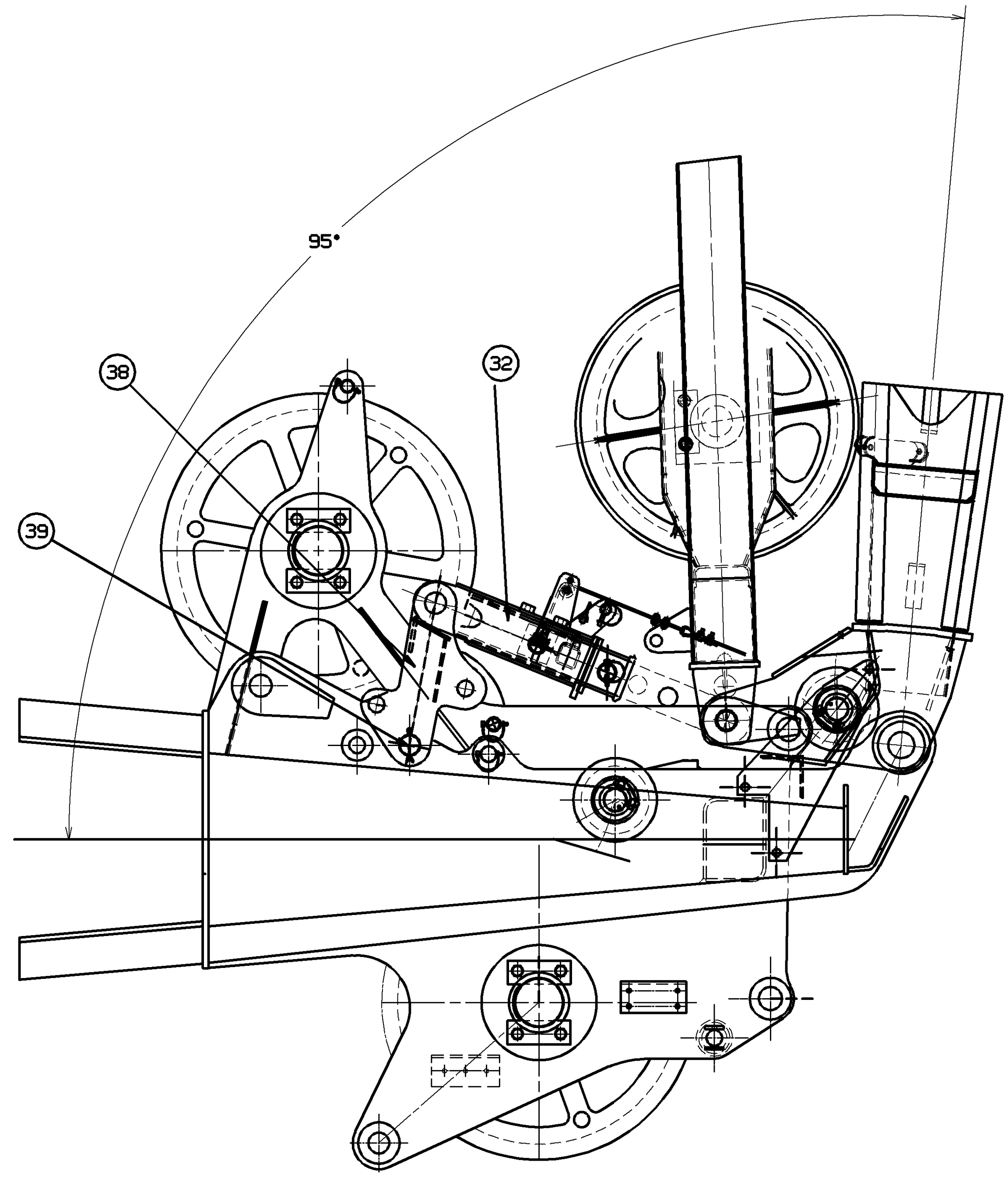




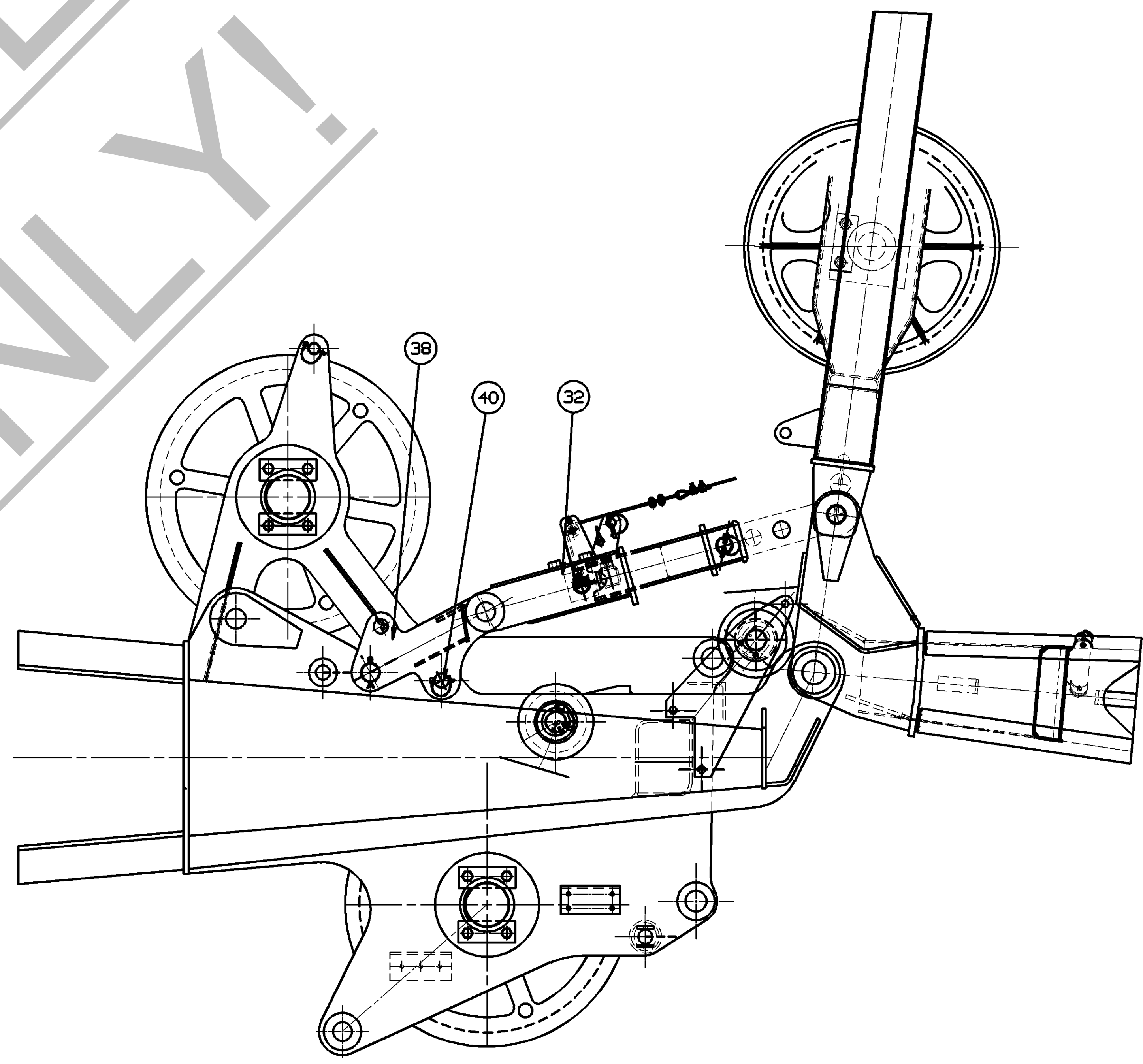
JIB EXTENSION AND BACKSTOP IN STORAGE POSITION



JIB EXTENSION AT INTERMEDIATE POSITION (RAISING)



JIB EXTENSION AT 95 DEG. FOLD BACK (RAISING)



JIB EXTENSION (OPERATION)

REFERENCE ONLY!

THIS DRAWING IS THE PROPERTY OF WHITING CRANES, INC.		TOLERANCE UNLESS OTHERWISE SPECIFIED		SCALE 1.5"=1 FT		Mantowoc Cranes, Inc.	
ALL INFORMATION CONTAINED HEREIN IS CONFIDENTIAL. IT IS LOANED, SUBJECT TO RETURN UPON DEMAND, AND IN EXPRESS CONDITION THAT IT IS NOT TO BE COPIED OR USED DIRECTLY OR INDIRECTLY IN ANY MAY IN ANY MANNER DETRIMENTAL TO OUR INTERESTS.		DECIMAL PLACES	FABRICATION	MACHINING	DR. ER	Mantowoc, Wisconsin	JIB EXTENSION
(1) PLACE	± 0.01	± 0.10	± 0.015		CK. TSC	MOD. 999	ASSEMBLY
(2) PLACE	0.00	± 0.000	± 0.015		APP. TSC		
(3) PLACE	0.000	± 0.000	± 0.005				
ANGLES		± 1.0°	± 0.50°				