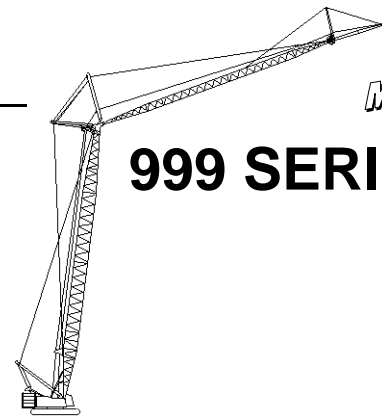




Liftcrane Fixed Jib Capacities



999 SERIES 2

**Fixed Jib No. 138 At
3 Degree Offset Angle On
Luffing Jib No. 135 On
Boom No. 82 or 22EL
184,600 Lb. Crane Counterweight
44,000 Lb. Carbody Counterweight
360 Degree Rating**

**Designed And Tested
With The Intent To
Be In The Scope of
ANSI B30.5**

LIFTING CAPACITIES: Lifting capacities for various boom lengths, boom angles, luffing jib lengths, luffing jib angles, fixed jib lengths, and fixed jib operating radii are for freely suspended loads and do not exceed 75% of a static tipping load. Capacities based on structural competence are denoted by an asterisk (*).

190 Ft. boom length without intermediate fall in luffing jib requires only the middle two sheaves in the lower boom point; all other sheaves must be removed from lower boom point.

Lower boom point assembly must be completely removed from:

- 190 Ft. and 200 Ft. boom lengths with intermediate fall in luffing jib and
- 200 Ft. boom length without intermediate fall in luffing jib.

When equipped with boom catwalks, refer to the appropriate raising table for any additional restrictions.

Weight of all load blocks, hooks, weight ball, slings, hoist lines, etc., beneath boom, luffing jib point and fixed jib point sheaves, is considered part of fixed jib load. Boom, luffing jib and fixed jib are not to be lowered beyond radii where combined weights are greater than rated capacity. Where no capacity is shown, operation is not intended or approved.

OPERATING CONDITIONS: Machine to operate on a firm uniformly supporting surface with gantry up and bearing turntable level within a tolerance of 1/2 in. in 10 Ft. and properly supported. During operation, boom must be maintained at one of the selected angles shown in chart. Refer to fixed jib assembly **No. 179361**, luffing jib assembly **No. 196199** or **No. A09286** (Boom No. 22EL) or **No. 196200** or **No. A09287** (Boom No. 82), Wire Rope Specification chart **No. 8247-B** and Luffing Jib Raising Procedure chart **No. 8248-B**. Crane operator judgment must be used to allow for dynamic load effects of swinging, hoisting or lowering, travel, wind conditions, as well as adverse operating conditions and physical machine depreciation. Refer to operators manual for operating guidelines.

MACHINE TRAVEL: Machine to travel on a firm, level and uniformly supporting surface with boom and luffing jib within angle range shown in capacity chart. Refer to Maximum Allowable Travel Specification chart **No. 8249-B**.

OPERATING RADIUS: Operating radius is horizontal distance from axis of rotation to center of vertical hoist line. Boom angle is angle between horizontal and centerline of boom butt and

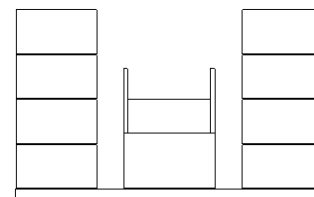
inserts. Luffing jib angle is angle between horizontal and centerline of luffing jib butt and inserts, and is an indication of operating radius. In all cases, operating radius shall govern capacity.

FIXED JIB POINT ELEVATION: Fixed jib point elevation is vertical distance from ground level to centerline of fixed jib point shaft.

MACHINE EQUIPMENT: Machine equipped with 28 Ft. 2 in. crawlers, 48 in. treads, 10 Ft. 3 in. retractable gantry, 30 Ft. live mast, 20 part boom hoist reeving, boom support straps or four 1-3/8 in. boom pendants, 8 part luffing jib hoist reeving, two 1-1/2 in. luffing jib pendants and backstays, 184,600 Lb. crane counterweight and two 22,000 Lb. carbody counterweights.

Maximum capacity on 26 mm wire rope is 27,500 Lbs. per line (20,000 Lbs. on 26 mm or 1 in. wire rope when auxiliary drum is used).

Consult chart **No. 8236-A** for luffing jib capacities. Consult chart **No. 8585-A** for intermediate fall capacities with fixed jib attached.



184,600 Lb. Crane Counterweight
8 Side Boxes - 1 Center Box

Intermediate Fall Deduct

Deduct 1,000 Lbs. from capacities when luffing jib is equipped with intermediate fall.

Boom Catwalks Deduct

Deduct 300 Lbs. from capacities when boom catwalks are attached.

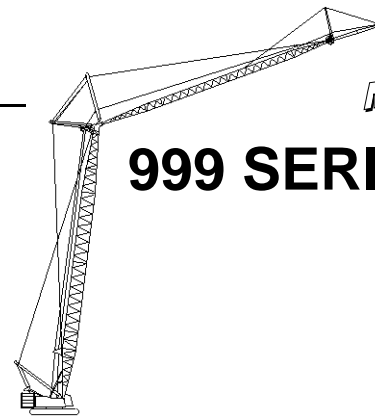


Liftcrane Fixed Jib Capacities

999 SERIES 2

Fixed Jib No. 138 At
 3 Degree Offset Angle On
 Luffing Jib No. 135 On
 Boom No. 82 or 22EL
 184,600 Lb. Crane Counterweight
 44,000 Lb. Carbody Counterweight
 360 Degree Rating

Designed And Tested
 With The Intent To
 Be In The Scope of
 ANSI B30.5



160 Ft. Boom, 140 Ft. Luffing Jib, 30 Ft. Fixed Jib

| Fixed Jib Oper. Rad. Feet | 88 Degree Boom Angle | | | 83 Degree Boom Angle | | | 70 Degree Boom Angle | | | Fixed Jib Oper. Rad. Feet |
|---------------------------|-----------------------|----------------------------|---------------------------|-----------------------|----------------------------|---------------------------|-----------------------|----------------------------|---------------------------|---------------------------|
| | Luffing Jib Ang. Deg. | Fixed Jib Point Elev. Feet | Fixed Jib Capacity Pounds | Luffing Jib Ang. Deg. | Fixed Jib Point Elev. Feet | Fixed Jib Capacity Pounds | Luffing Jib Ang. Deg. | Fixed Jib Point Elev. Feet | Fixed Jib Capacity Pounds | |
| 60 | 74.8 | 332.4 | 27,500 * | | | | | | | 60 |
| 65 | 73.1 | 330.9 | 27,200 * | | | | | | | 65 |
| 70 | 71.3 | 329.3 | 26,900 * | | | | | | | 70 |
| 75 | 69.5 | 327.4 | 26,600 * | | | | | | | 75 |
| 80 | 67.7 | 325.4 | 26,400 * | | | | | | | 80 |
| 85 | 65.9 | 323.2 | 26,100 * | 70.9 | 327.6 | 27,000 * | | | | 85 |
| 90 | 64.0 | 320.8 | 25,800 * | 69.1 | 325.7 | 26,800 * | | | | 90 |
| 95 | 62.1 | 318.2 | 24,800 * | 67.3 | 323.7 | 26,600 * | | | | 95 |
| 100 | 60.2 | 315.4 | 23,900 * | 65.5 | 321.4 | 26,400 * | | | | 100 |
| 105 | 58.2 | 312.4 | 23,100 * | 63.6 | 319.0 | 26,000 * | | | | 105 |
| 110 | 56.2 | 309.1 | 22,300 * | 61.7 | 316.3 | 25,000 * | | | | 110 |
| 115 | 54.2 | 305.5 | 21,600 * | 59.8 | 313.5 | 24,100 * | | | | 115 |
| 120 | 52.1 | 301.7 | 20,900 * | 57.8 | 310.4 | 23,300 * | | | | 120 |
| 125 | 49.9 | 297.6 | 20,300 * | 55.8 | 307.0 | 22,500 * | | | | 125 |
| 130 | 47.6 | 293.1 | 19,700 * | 53.7 | 303.4 | 21,800 * | | | | 130 |
| 135 | 45.3 | 288.3 | 19,200 * | 51.6 | 299.5 | 21,100 * | | | | 135 |
| 140 | 42.9 | 283.0 | 18,700 * | 49.4 | 295.3 | 20,500 * | | | | 140 |
| 145 | 40.3 | 277.2 | 18,200 * | 47.1 | 290.8 | 19,900 * | | | | 145 |
| 150 | 37.6 | 270.9 | 17,800 * | 44.8 | 285.8 | 19,400 * | | | | 150 |
| 155 | 34.8 | 264.0 | 17,400 * | 42.3 | 280.5 | 18,800 * | 57.8 | 301.5 | 19,600 | 155 |
| 160 | 31.6 | 256.2 | 17,000 * | 39.7 | 274.6 | 18,400 * | 55.8 | 298.1 | 18,700 | 160 |
| 165 | 28.2 | 247.3 | 16,700 * | 37.0 | 268.2 | 17,900 * | 53.8 | 294.5 | 17,900 | 165 |
| 170 | 24.4 | 236.9 | 16,400 * | 34.1 | 261.0 | 17,500 * | 51.6 | 290.7 | 17,100 | 170 |
| 175 | 19.8 | 224.2 | 15,900 * | 30.9 | 253.0 | 17,100 * | 49.4 | 286.5 | 16,400 | 175 |
| 180 | 13.8 | 207.1 | 15,300 * | 27.4 | 243.8 | 16,800 * | 47.2 | 281.9 | 15,700 | 180 |
| 185 | | | | 23.4 | 233.1 | 16,500 * | 44.8 | 277.0 | 15,000 | 185 |
| 190 | | | | 18.6 | 219.7 | 16,200 * | 42.4 | 271.6 | 14,400 | 190 |
| 195 | | | | 12.1 | 200.7 | 15,900 * | 39.8 | 265.8 | 13,800 | 195 |
| 200 | | | | | | | 37.1 | 259.4 | 13,300 | 200 |
| 205 | | | | | | | 34.2 | 252.2 | 12,800 | 205 |
| 210 | | | | | | | 31.0 | 244.2 | 12,300 | 210 |
| 220 | | | | | | | 23.5 | 224.4 | 11,300 | 220 |
| 230 | | | | | | | 12.3 | 192.3 | 10,400 | 230 |

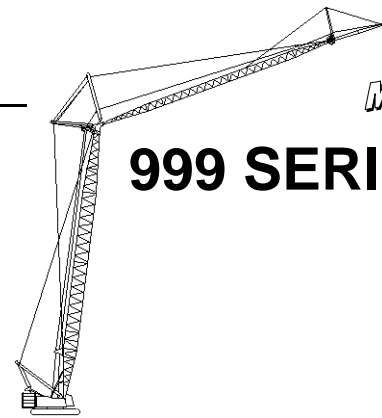


Liftcrane Fixed Jib Capacities

999 SERIES 2

Fixed Jib No. 138 At
3 Degree Offset Angle On
Luffing Jib No. 135 On
Boom No. 82 or 22EL
184,600 Lb. Crane Counterweight
44,000 Lb. Carbody Counterweight
360 Degree Rating

Designed And Tested
With The Intent To
Be In The Scope of
ANSI B30.5



160 Ft. Boom, 150 Ft. Luffing Jib, 30 Ft. Fixed Jib

| Fixed Jib Oper. Rad. Feet | 88 Degree Boom Angle | | | 83 Degree Boom Angle | | | 70 Degree Boom Angle | | | Fixed Jib Oper. Rad. Feet |
|---------------------------|-----------------------|----------------------------|---------------------------|-----------------------|----------------------------|---------------------------|-----------------------|----------------------------|---------------------------|---------------------------|
| | Luffing Jib Ang. Deg. | Fixed Jib Point Elev. Feet | Fixed Jib Capacity Pounds | Luffing Jib Ang. Deg. | Fixed Jib Point Elev. Feet | Fixed Jib Capacity Pounds | Luffing Jib Ang. Deg. | Fixed Jib Point Elev. Feet | Fixed Jib Capacity Pounds | |
| 60 | 75.7 | 342.8 | 27,000 * | | | | | | | 60 |
| 65 | 74.0 | 341.4 | 26,700 * | | | | | | | 65 |
| 70 | 72.4 | 339.8 | 26,400 * | | | | | | | 70 |
| 75 | 70.7 | 338.1 | 26,100 * | | | | | | | 75 |
| 80 | 69.0 | 336.2 | 25,900 * | | | | | | | 80 |
| 85 | 67.3 | 334.2 | 25,700 * | | | | | | | 85 |
| 90 | 65.6 | 331.9 | 25,300 * | 70.3 | 336.4 | 26,200 * | | | | 90 |
| 95 | 63.8 | 329.5 | 24,400 * | 68.6 | 334.5 | 26,000 * | | | | 95 |
| 100 | 62.0 | 326.9 | 23,500 * | 66.9 | 332.4 | 25,900 * | | | | 100 |
| 105 | 60.2 | 324.1 | 22,700 * | 65.2 | 330.1 | 25,400 * | | | | 105 |
| 110 | 58.3 | 321.0 | 22,000 * | 63.4 | 327.7 | 24,500 * | | | | 110 |
| 115 | 56.4 | 317.8 | 21,300 * | 61.6 | 325.0 | 23,700 * | | | | 115 |
| 120 | 54.5 | 314.3 | 20,600 * | 59.8 | 322.1 | 22,900 * | | | | 120 |
| 125 | 52.5 | 310.5 | 20,000 * | 57.9 | 319.0 | 22,100 * | | | | 125 |
| 130 | 50.5 | 306.4 | 19,500 * | 56.0 | 315.7 | 21,400 * | | | | 130 |
| 135 | 48.4 | 302.1 | 18,900 * | 54.1 | 312.2 | 20,800 * | | | | 135 |
| 140 | 46.2 | 297.4 | 18,500 * | 52.1 | 308.3 | 20,200 * | | | | 140 |
| 145 | 44.0 | 292.3 | 18,000 * | 50.0 | 304.2 | 19,600 * | | | | 145 |
| 150 | 41.6 | 286.8 | 17,600 * | 47.9 | 299.8 | 19,100 * | | | | 150 |
| 155 | 39.1 | 280.8 | 17,200 * | 45.7 | 295.0 | 18,600 * | | | | 155 |
| 160 | 36.5 | 274.2 | 16,800 * | 43.5 | 289.8 | 18,100 * | 58.0 | 310.2 | 18,600 | 160 |
| 165 | 33.7 | 267.0 | 16,500 * | 41.1 | 284.2 | 17,700 * | 56.1 | 306.8 | 17,700 | 165 |
| 170 | 30.7 | 258.9 | 16,100 * | 38.6 | 278.1 | 17,300 * | 54.1 | 303.3 | 17,000 | 170 |
| 175 | 27.4 | 249.7 | 15,700 * | 35.9 | 271.4 | 16,900 * | 52.1 | 299.5 | 16,200 | 175 |
| 180 | 23.7 | 239.0 | 15,100 * | 33.1 | 264.0 | 16,600 * | 50.1 | 295.4 | 15,600 | 180 |
| 185 | 19.2 | 225.9 | 14,500 * | 30.0 | 255.7 | 16,200 * | 48.0 | 290.9 | 14,900 | 185 |
| 190 | 13.4 | 208.2 | 14,000 * | 26.6 | 246.2 | 15,900 * | 45.8 | 286.2 | 14,300 | 190 |
| 195 | | | | 22.8 | 235.0 | 15,700 * | 43.5 | 281.0 | 13,700 | 195 |
| 200 | | | | 18.1 | 221.2 | 15,400 * | 41.1 | 275.4 | 13,200 | 200 |
| 205 | | | | 11.7 | 201.7 | 15,200 * | 38.6 | 269.3 | 12,600 | 205 |
| 210 | | | | | | | 36.0 | 262.6 | 12,100 | 210 |
| 220 | | | | | | | 30.1 | 246.9 | 11,200 | 220 |
| 230 | | | | | | | 22.8 | 226.4 | 10,300 | 230 |
| 240 | | | | | | | 11.9 | 193.3 | 9,500 | 240 |

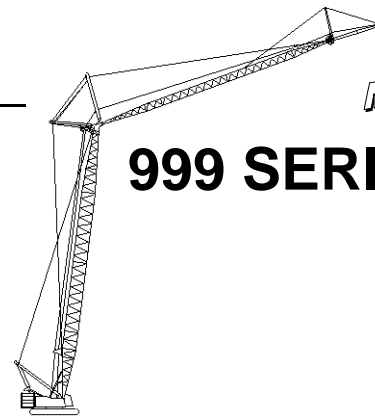


Liftcrane Fixed Jib Capacities

999 SERIES 2

Fixed Jib No. 138 At
 3 Degree Offset Angle On
 Luffing Jib No. 135 On
 Boom No. 82 or 22EL
 184,600 Lb. Crane Counterweight
 44,000 Lb. Carbody Counterweight
 360 Degree Rating

Designed And Tested
 With The Intent To
 Be In The Scope of
 ANSI B30.5



160 Ft. Boom, 160 Ft. Luffing Jib, 30 Ft. Fixed Jib

| Fixed Jib Oper. Rad. Feet | 88 Degree Boom Angle | | | 83 Degree Boom Angle | | | 70 Degree Boom Angle | | | Fixed Jib Oper. Rad. Feet |
|---------------------------|-----------------------|----------------------------|---------------------------|-----------------------|----------------------------|---------------------------|-----------------------|----------------------------|---------------------------|---------------------------|
| | Luffing Jib Ang. Deg. | Fixed Jib Point Elev. Feet | Fixed Jib Capacity Pounds | Luffing Jib Ang. Deg. | Fixed Jib Point Elev. Feet | Fixed Jib Capacity Pounds | Luffing Jib Ang. Deg. | Fixed Jib Point Elev. Feet | Fixed Jib Capacity Pounds | |
| 65 | 74.9 | 351.8 | 26,000 * | | | | | | | 65 |
| 70 | 73.3 | 350.3 | 25,800 * | | | | | | | 70 |
| 75 | 71.7 | 348.7 | 25,600 * | | | | | | | 75 |
| 80 | 70.1 | 346.9 | 25,300 * | | | | | | | 80 |
| 85 | 68.5 | 345.0 | 25,100 * | | | | | | | 85 |
| 90 | 66.9 | 342.9 | 24,700 * | | | | | | | 90 |
| 95 | 65.3 | 340.6 | 23,800 * | 69.8 | 345.2 | 24,600 * | | | | 95 |
| 100 | 63.6 | 338.2 | 23,000 * | 68.2 | 343.3 | 24,400 * | | | | 100 |
| 105 | 61.9 | 335.6 | 22,300 * | 66.6 | 341.1 | 24,200 * | | | | 105 |
| 110 | 60.2 | 332.7 | 21,600 * | 64.9 | 338.8 | 24,000 * | | | | 110 |
| 115 | 58.4 | 329.7 | 20,900 * | 63.2 | 336.3 | 23,200 * | | | | 115 |
| 120 | 56.6 | 326.5 | 20,300 * | 61.5 | 333.7 | 22,400 * | | | | 120 |
| 125 | 54.8 | 323.0 | 19,700 * | 59.8 | 330.8 | 21,700 * | | | | 125 |
| 130 | 52.9 | 319.3 | 19,200 * | 58.0 | 327.7 | 21,100 * | | | | 130 |
| 135 | 51.0 | 315.3 | 18,700 * | 56.2 | 324.4 | 20,500 * | | | | 135 |
| 140 | 49.0 | 311.0 | 18,200 * | 54.4 | 320.9 | 19,900 * | | | | 140 |
| 145 | 47.0 | 306.4 | 17,800 * | 52.5 | 317.1 | 19,300 * | | | | 145 |
| 150 | 44.9 | 301.5 | 17,400 * | 50.6 | 313.1 | 18,800 * | | | | 150 |
| 155 | 42.7 | 296.2 | 17,000 * | 48.6 | 308.7 | 18,400 * | | | | 155 |
| 160 | 40.4 | 290.5 | 16,600 * | 46.6 | 304.1 | 17,900 * | | | | 160 |
| 165 | 38.0 | 284.3 | 16,300 * | 44.4 | 299.1 | 17,500 * | | | | 165 |
| 170 | 35.5 | 277.4 | 15,900 * | 42.2 | 293.7 | 17,100 * | 56.3 | 315.5 | 16,600 | 170 |
| 175 | 32.8 | 269.9 | 15,300 * | 39.9 | 287.9 | 16,700 * | 54.4 | 312.0 | 15,800 | 175 |
| 180 | 29.9 | 261.5 | 14,800 * | 37.5 | 281.5 | 16,400 * | 52.6 | 308.3 | 15,200 | 180 |
| 185 | 26.7 | 252.0 | 14,200 * | 34.9 | 274.6 | 16,100 * | 50.6 | 304.2 | 14,500 | 185 |
| 190 | 23.0 | 241.0 | 13,700 * | 32.2 | 266.9 | 15,800 * | 48.7 | 299.9 | 13,900 | 190 |
| 195 | 18.7 | 227.5 | 13,200 * | 29.2 | 258.3 | 15,500 * | 46.6 | 295.2 | 13,300 | 195 |
| 200 | 13.0 | 209.3 | 12,800 * | 25.9 | 248.5 | 15,200 * | 44.5 | 290.3 | 12,800 | 200 |
| 205 | | | | 22.1 | 237.0 | 15,000 * | 42.3 | 284.9 | 12,300 | 205 |
| 210 | | | | 17.6 | 222.8 | 14,800 * | 40.0 | 279.0 | 11,800 | 210 |
| 220 | | | | | | | 35.0 | 265.8 | 10,900 | 220 |
| 230 | | | | | | | 29.3 | 249.5 | 10,000 | 230 |
| 240 | | | | | | | 22.2 | 228.3 | 9,200 | 240 |
| 250 | | | | | | | 11.6 | 194.3 | 8,500 | 250 |

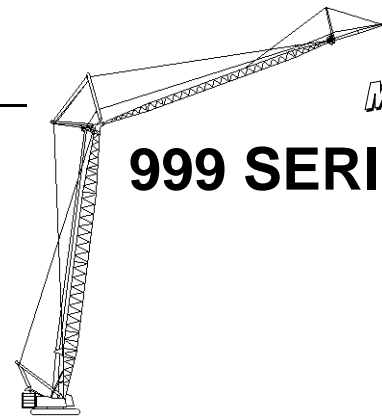


Liftcrane Fixed Jib Capacities

999 SERIES 2

Fixed Jib No. 138 At
3 Degree Offset Angle On
Luffing Jib No. 135 On
Boom No. 82 or 22EL
184,600 Lb. Crane Counterweight
44,000 Lb. Carbody Counterweight
360 Degree Rating

Designed And Tested
With The Intent To
Be In The Scope of
ANSI B30.5



160 Ft. Boom, 170 Ft. Luffing Jib, 30 Ft. Fixed Jib

| Fixed Jib Oper. Rad. Feet | 88 Degree Boom Angle | | | 83 Degree Boom Angle | | | 70 Degree Boom Angle | | | Fixed Jib Oper. Rad. Feet |
|---------------------------|-----------------------|----------------------------|---------------------------|-----------------------|----------------------------|---------------------------|-----------------------|----------------------------|---------------------------|---------------------------|
| | Luffing Jib Ang. Deg. | Fixed Jib Point Elev. Feet | Fixed Jib Capacity Pounds | Luffing Jib Ang. Deg. | Fixed Jib Point Elev. Feet | Fixed Jib Capacity Pounds | Luffing Jib Ang. Deg. | Fixed Jib Point Elev. Feet | Fixed Jib Capacity Pounds | |
| 65 | 75.7 | 362.2 | 23,700 * | | | | | | | 65 |
| 70 | 74.2 | 360.8 | 23,700 * | | | | | | | 70 |
| 75 | 72.7 | 359.2 | 23,200 * | | | | | | | 75 |
| 80 | 71.2 | 357.6 | 22,800 * | | | | | | | 80 |
| 85 | 69.7 | 355.7 | 22,600 * | | | | | | | 85 |
| 90 | 68.1 | 353.8 | 22,300 * | | | | | | | 90 |
| 95 | 66.6 | 351.6 | 22,000 * | 70.8 | 355.9 | 21,900 * | | | | 95 |
| 100 | 65.0 | 349.3 | 21,800 * | 69.3 | 354.0 | 21,700 * | | | | 100 |
| 105 | 63.4 | 346.9 | 21,500 * | 67.8 | 352.0 | 21,500 * | | | | 105 |
| 110 | 61.8 | 344.2 | 21,100 * | 66.2 | 349.8 | 21,300 * | | | | 110 |
| 115 | 60.2 | 341.4 | 20,400 * | 64.7 | 347.5 | 21,100 * | | | | 115 |
| 120 | 58.5 | 338.4 | 19,900 * | 63.1 | 345.0 | 20,900 * | | | | 120 |
| 125 | 56.8 | 335.1 | 19,300 * | 61.4 | 342.3 | 20,700 * | | | | 125 |
| 130 | 55.1 | 331.7 | 18,800 * | 59.8 | 339.4 | 20,500 * | | | | 130 |
| 135 | 53.3 | 328.0 | 18,300 * | 58.1 | 336.4 | 20,000 * | | | | 135 |
| 140 | 51.5 | 324.1 | 17,900 * | 56.4 | 333.1 | 19,500 * | | | | 140 |
| 145 | 49.6 | 319.9 | 17,500 * | 54.7 | 329.6 | 18,900 * | | | | 145 |
| 150 | 47.7 | 315.5 | 17,100 * | 52.9 | 325.9 | 18,500 * | | | | 150 |
| 155 | 45.8 | 310.7 | 16,700 * | 51.1 | 321.9 | 18,000 * | | | | 155 |
| 160 | 43.7 | 305.5 | 16,300 * | 49.2 | 317.7 | 17,600 * | | | | 160 |
| 165 | 41.6 | 300.0 | 15,900 * | 47.3 | 313.1 | 17,200 * | | | | 165 |
| 170 | 39.4 | 294.1 | 15,400 * | 45.3 | 308.3 | 16,800 * | | | | 170 |
| 175 | 37.0 | 287.6 | 14,900 * | 43.2 | 303.1 | 16,500 * | 56.5 | 324.2 | 15,600 | 175 |
| 180 | 34.6 | 280.5 | 14,300 * | 41.1 | 297.5 | 16,100 * | 54.7 | 320.7 | 14,900 | 180 |
| 185 | 31.9 | 272.8 | 13,800 * | 38.9 | 291.4 | 15,800 * | 53.0 | 317.0 | 14,200 | 185 |
| 190 | 29.1 | 264.1 | 13,400 * | 36.5 | 284.8 | 15,500 * | 51.1 | 313.1 | 13,600 | 190 |
| 195 | 26.0 | 254.3 | 12,900 * | 34.0 | 277.6 | 15,300 * | 49.3 | 308.8 | 13,100 | 195 |
| 200 | 22.4 | 243.0 | 12,500 * | 31.3 | 269.7 | 15,000 * | 47.3 | 304.3 | 12,500 | 200 |
| 205 | 18.2 | 229.1 | 12,100 * | 28.4 | 260.8 | 14,800 * | 45.4 | 299.4 | 12,000 | 205 |
| 210 | 12.7 | 210.4 | 11,800 * | 25.2 | 250.7 | 14,500 * | 43.3 | 294.2 | 11,500 | 210 |
| 220 | | | | 17.1 | 224.2 | 14,200 * | 38.9 | 282.6 | 10,600 | 220 |
| 230 | | | | | | | 34.1 | 268.8 | 9,700 | 230 |
| 240 | | | | | | | 28.5 | 252.0 | 9,000 | 240 |
| 250 | | | | | | | 21.6 | 230.2 | 8,300 | 250 |
| 260 | | | | | | | 11.3 | 195.2 | 7,600 | 260 |

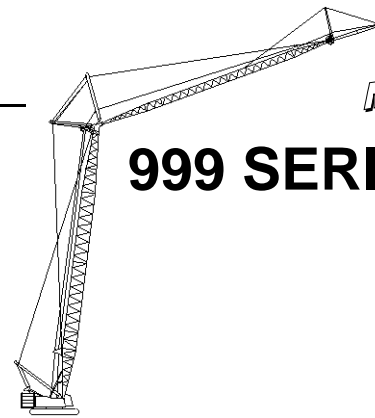


Liftcrane Fixed Jib Capacities

999 SERIES 2

Fixed Jib No. 138 At
3 Degree Offset Angle On
Luffing Jib No. 135 On
Boom No. 82 or 22EL
184,600 Lb. Crane Counterweight
44,000 Lb. Carbody Counterweight
360 Degree Rating

Designed And Tested
With The Intent To
Be In The Scope of
ANSI B30.5



160 Ft. Boom, 140 Ft. Luffing Jib, 40 Ft. Fixed Jib

| Fixed Jib Oper. Rad. Feet | 88 Degree Boom Angle | | | 83 Degree Boom Angle | | | 70 Degree Boom Angle | | | Fixed Jib Oper. Rad. Feet |
|---------------------------|-----------------------|----------------------------|---------------------------|-----------------------|----------------------------|---------------------------|-----------------------|----------------------------|---------------------------|---------------------------|
| | Luffing Jib Ang. Deg. | Fixed Jib Point Elev. Feet | Fixed Jib Capacity Pounds | Luffing Jib Ang. Deg. | Fixed Jib Point Elev. Feet | Fixed Jib Capacity Pounds | Luffing Jib Ang. Deg. | Fixed Jib Point Elev. Feet | Fixed Jib Capacity Pounds | |
| 65 | 74.4 | 341.3 | 22,700 * | | | | | | | 65 |
| 70 | 72.8 | 339.8 | 22,400 * | | | | | | | 70 |
| 75 | 71.1 | 338.1 | 22,200 * | | | | | | | 75 |
| 80 | 69.4 | 336.2 | 21,900 * | | | | | | | 80 |
| 85 | 67.7 | 334.1 | 21,700 * | | | | | | | 85 |
| 90 | 66.0 | 331.9 | 21,400 * | 70.7 | 336.4 | 22,300 * | | | | 90 |
| 95 | 64.2 | 329.5 | 21,000 * | 69.0 | 334.4 | 22,000 * | | | | 95 |
| 100 | 62.4 | 326.8 | 20,200 * | 67.3 | 332.3 | 21,800 * | | | | 100 |
| 105 | 60.6 | 324.0 | 19,500 * | 65.6 | 330.1 | 21,600 * | | | | 105 |
| 110 | 58.7 | 321.0 | 18,800 * | 63.8 | 327.6 | 21,100 * | | | | 110 |
| 115 | 56.9 | 317.7 | 18,200 * | 62.0 | 324.9 | 20,400 * | | | | 115 |
| 120 | 54.9 | 314.2 | 17,600 * | 60.2 | 322.1 | 19,600 * | | | | 120 |
| 125 | 52.9 | 310.4 | 17,100 * | 58.3 | 319.0 | 18,900 * | | | | 125 |
| 130 | 50.9 | 306.4 | 16,600 * | 56.4 | 315.7 | 18,300 * | | | | 130 |
| 135 | 48.8 | 302.0 | 16,100 * | 54.5 | 312.1 | 17,700 * | | | | 135 |
| 140 | 46.6 | 297.3 | 15,600 * | 52.5 | 308.3 | 17,200 * | | | | 140 |
| 145 | 44.4 | 292.2 | 15,200 * | 50.4 | 304.1 | 16,700 * | | | | 145 |
| 150 | 42.0 | 286.7 | 14,800 * | 48.3 | 299.7 | 16,200 * | | | | 150 |
| 155 | 39.5 | 280.7 | 14,500 * | 46.1 | 294.9 | 15,700 * | | | | 155 |
| 160 | 36.9 | 274.2 | 14,100 * | 43.9 | 289.8 | 15,300 * | | | | 160 |
| 165 | 34.1 | 266.9 | 13,800 * | 41.5 | 284.2 | 14,900 * | 56.5 | 306.8 | 18,000 | 165 |
| 170 | 31.1 | 258.8 | 13,500 * | 39.0 | 278.0 | 14,600 * | 54.5 | 303.2 | 17,200 | 170 |
| 175 | 27.8 | 249.6 | 13,300 * | 36.3 | 271.3 | 14,200 * | 52.5 | 299.4 | 16,500 | 175 |
| 180 | 24.0 | 238.8 | 13,000 * | 33.5 | 263.9 | 13,900 * | 50.5 | 295.3 | 15,800 | 180 |
| 185 | 19.6 | 225.7 | 12,800 * | 30.4 | 255.6 | 13,600 * | 48.4 | 290.9 | 15,100 | 185 |
| 190 | 13.7 | 208.0 | 12,600 * | 27.0 | 246.1 | 13,400 * | 46.2 | 286.1 | 14,500 | 190 |
| 195 | | | | 23.1 | 234.9 | 13,100 * | 43.9 | 280.9 | 14,000 | 195 |
| 200 | | | | 18.5 | 221.1 | 12,900 * | 41.5 | 275.3 | 13,400 | 200 |
| 205 | | | | 12.1 | 201.5 | 12,700 * | 39.0 | 269.2 | 12,900 | 205 |
| 210 | | | | | | | 36.4 | 262.5 | 12,400 | 210 |
| 220 | | | | | | | 30.5 | 246.8 | 11,500 | 220 |
| 230 | | | | | | | 23.2 | 226.2 | 10,600 | 230 |
| 240 | | | | | | | 12.2 | 193.1 | 9,800 | 240 |

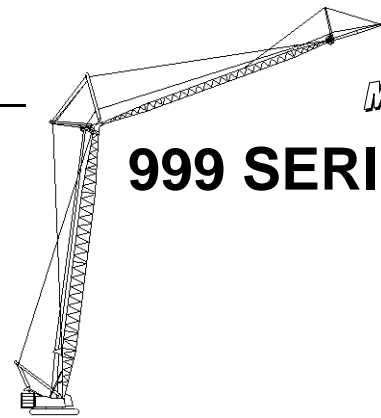


Liftcrane Fixed Jib Capacities

999 SERIES 2

Fixed Jib No. 138 At
3 Degree Offset Angle On
Luffing Jib No. 135 On
Boom No. 82 or 22EL
184,600 Lb. Crane Counterweight
44,000 Lb. Carbody Counterweight
360 Degree Rating

Designed And Tested
With The Intent To
Be In The Scope of
ANSI B30.5



160 Ft. Boom, 150 Ft. Luffing Jib, 40 Ft. Fixed Jib

| Fixed Jib Oper. Rad. Feet | 88 Degree Boom Angle | | | 83 Degree Boom Angle | | | 70 Degree Boom Angle | | | Fixed Jib Oper. Rad. Feet |
|---------------------------|-----------------------|----------------------------|---------------------------|-----------------------|----------------------------|---------------------------|-----------------------|----------------------------|---------------------------|---------------------------|
| | Luffing Jib Ang. Deg. | Fixed Jib Point Elev. Feet | Fixed Jib Capacity Pounds | Luffing Jib Ang. Deg. | Fixed Jib Point Elev. Feet | Fixed Jib Capacity Pounds | Luffing Jib Ang. Deg. | Fixed Jib Point Elev. Feet | Fixed Jib Capacity Pounds | |
| 65 | 75.3 | 351.8 | 22,300 * | | | | | | | 65 |
| 70 | 73.7 | 350.3 | 22,100 * | | | | | | | 70 |
| 75 | 72.1 | 348.7 | 21,800 * | | | | | | | 75 |
| 80 | 70.5 | 346.9 | 21,600 * | | | | | | | 80 |
| 85 | 68.9 | 344.9 | 21,400 * | | | | | | | 85 |
| 90 | 67.3 | 342.8 | 21,100 * | | | | | | | 90 |
| 95 | 65.7 | 340.6 | 20,600 * | 70.2 | 345.2 | 21,700 * | | | | 95 |
| 100 | 64.0 | 338.1 | 19,800 * | 68.6 | 343.2 | 21,500 * | | | | 100 |
| 105 | 62.3 | 335.5 | 19,200 * | 66.9 | 341.1 | 21,300 * | | | | 105 |
| 110 | 60.6 | 332.7 | 18,500 * | 65.3 | 338.8 | 20,700 * | | | | 110 |
| 115 | 58.8 | 329.6 | 17,900 * | 63.6 | 336.3 | 20,000 * | | | | 115 |
| 120 | 57.0 | 326.4 | 17,300 * | 61.9 | 333.6 | 19,300 * | | | | 120 |
| 125 | 55.2 | 322.9 | 16,800 * | 60.2 | 330.7 | 18,600 * | | | | 125 |
| 130 | 53.3 | 319.2 | 16,300 * | 58.4 | 327.7 | 18,000 * | | | | 130 |
| 135 | 51.4 | 315.2 | 15,800 * | 56.6 | 324.4 | 17,400 * | | | | 135 |
| 140 | 49.4 | 311.0 | 15,400 * | 54.8 | 320.8 | 16,900 * | | | | 140 |
| 145 | 47.4 | 306.4 | 15,000 * | 52.9 | 317.1 | 16,400 * | | | | 145 |
| 150 | 45.3 | 301.5 | 14,600 * | 51.0 | 313.0 | 16,000 * | | | | 150 |
| 155 | 43.1 | 296.1 | 14,300 * | 49.0 | 308.7 | 15,500 * | | | | 155 |
| 160 | 40.8 | 290.4 | 13,900 * | 46.9 | 304.0 | 15,100 * | | | | 160 |
| 165 | 38.4 | 284.2 | 13,600 * | 44.8 | 299.0 | 14,700 * | | | | 165 |
| 170 | 35.9 | 277.4 | 13,300 * | 42.6 | 293.6 | 14,400 * | 56.7 | 315.5 | 17,100 | 170 |
| 175 | 33.2 | 269.8 | 13,100 * | 40.3 | 287.8 | 14,000 * | 54.8 | 312.0 | 16,300 | 175 |
| 180 | 30.2 | 261.4 | 12,800 * | 37.9 | 281.4 | 13,700 * | 52.9 | 308.2 | 15,600 | 180 |
| 185 | 27.0 | 251.9 | 12,600 * | 35.3 | 274.5 | 13,400 * | 51.0 | 304.2 | 15,000 | 185 |
| 190 | 23.4 | 240.9 | 12,400 * | 32.6 | 266.8 | 13,200 * | 49.0 | 299.8 | 14,400 | 190 |
| 195 | 19.0 | 227.3 | 12,200 * | 29.6 | 258.2 | 12,900 * | 47.0 | 295.2 | 13,800 | 195 |
| 200 | 13.4 | 209.1 | 12,000 * | 26.3 | 248.4 | 12,700 * | 44.9 | 290.2 | 13,300 | 200 |
| 205 | | | | 22.5 | 236.9 | 12,500 * | 42.7 | 284.8 | 12,800 | 205 |
| 210 | | | | 18.0 | 222.6 | 12,300 * | 40.4 | 279.0 | 12,300 | 210 |
| 220 | | | | | | | 35.4 | 265.7 | 11,300 | 220 |
| 230 | | | | | | | 29.6 | 249.4 | 10,500 | 230 |
| 240 | | | | | | | 22.6 | 228.2 | 9,700 | 240 |
| 250 | | | | | | | 11.9 | 194.0 | 8,900 | 250 |

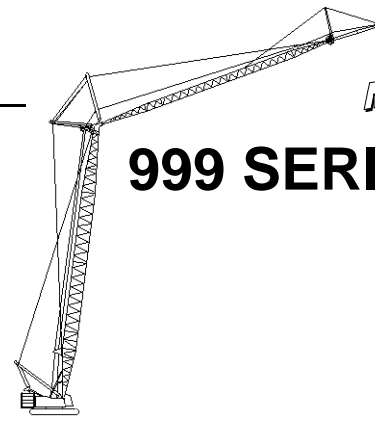


Liftcrane Fixed Jib Capacities

999 SERIES 2

Fixed Jib No. 138 At
3 Degree Offset Angle On
Luffing Jib No. 135 On
Boom No. 82 or 22EL
184,600 Lb. Crane Counterweight
44,000 Lb. Carbody Counterweight
360 Degree Rating

Designed And Tested
With The Intent To
Be In The Scope of
ANSI B30.5



160 Ft. Boom, 160 Ft. Luffing Jib, 40 Ft. Fixed Jib

| Fixed Jib Oper. Rad. Feet | 88 Degree Boom Angle | | | 83 Degree Boom Angle | | | 70 Degree Boom Angle | | | Fixed Jib Oper. Rad. Feet |
|---------------------------|-----------------------|----------------------------|---------------------------|-----------------------|----------------------------|---------------------------|-----------------------|----------------------------|---------------------------|---------------------------|
| | Luffing Jib Ang. Deg. | Fixed Jib Point Elev. Feet | Fixed Jib Capacity Pounds | Luffing Jib Ang. Deg. | Fixed Jib Point Elev. Feet | Fixed Jib Capacity Pounds | Luffing Jib Ang. Deg. | Fixed Jib Point Elev. Feet | Fixed Jib Capacity Pounds | |
| 70 | 74.5 | 360.7 | 21,600 * | | | | | | | 70 |
| 75 | 73.1 | 359.2 | 21,400 * | | | | | | | 75 |
| 80 | 71.6 | 357.5 | 21,100 * | | | | | | | 80 |
| 85 | 70.0 | 355.7 | 20,900 * | | | | | | | 85 |
| 90 | 68.5 | 353.7 | 20,700 * | | | | | | | 90 |
| 95 | 66.9 | 351.6 | 20,200 * | | | | | | | 95 |
| 100 | 65.4 | 349.3 | 19,500 * | 69.7 | 354.0 | 21,000 * | | | | 100 |
| 105 | 63.8 | 346.8 | 18,800 * | 68.2 | 352.0 | 20,800 * | | | | 105 |
| 110 | 62.2 | 344.2 | 18,200 * | 66.6 | 349.8 | 20,300 * | | | | 110 |
| 115 | 60.5 | 341.3 | 17,600 * | 65.0 | 347.4 | 19,600 * | | | | 115 |
| 120 | 58.9 | 338.3 | 17,100 * | 63.4 | 344.9 | 18,900 * | | | | 120 |
| 125 | 57.2 | 335.1 | 16,500 * | 61.8 | 342.3 | 18,300 * | | | | 125 |
| 130 | 55.4 | 331.6 | 16,100 * | 60.2 | 339.4 | 17,700 * | | | | 130 |
| 135 | 53.7 | 328.0 | 15,600 * | 58.5 | 336.3 | 17,200 * | | | | 135 |
| 140 | 51.9 | 324.0 | 15,200 * | 56.8 | 333.0 | 16,700 * | | | | 140 |
| 145 | 50.0 | 319.9 | 14,800 * | 55.1 | 329.6 | 16,200 * | | | | 145 |
| 150 | 48.1 | 315.4 | 14,500 * | 53.3 | 325.8 | 15,700 * | | | | 150 |
| 155 | 46.1 | 310.6 | 14,100 * | 51.5 | 321.9 | 15,300 * | | | | 155 |
| 160 | 44.1 | 305.5 | 13,800 * | 49.6 | 317.6 | 14,900 * | | | | 160 |
| 165 | 41.9 | 299.9 | 13,500 * | 47.7 | 313.1 | 14,500 * | | | | 165 |
| 170 | 39.7 | 294.0 | 13,200 * | 45.7 | 308.2 | 14,200 * | | | | 170 |
| 175 | 37.4 | 287.5 | 12,900 * | 43.6 | 303.0 | 13,900 * | 56.8 | 324.2 | 15,900 | 175 |
| 180 | 34.9 | 280.5 | 12,700 * | 41.5 | 297.4 | 13,600 * | 55.1 | 320.7 | 15,300 | 180 |
| 185 | 32.3 | 272.7 | 12,400 * | 39.2 | 291.3 | 13,300 * | 53.3 | 317.0 | 14,600 | 185 |
| 190 | 29.4 | 264.0 | 12,200 * | 36.9 | 284.7 | 13,000 * | 51.5 | 313.0 | 14,000 | 190 |
| 195 | 26.3 | 254.2 | 12,000 * | 34.4 | 277.5 | 12,800 * | 49.6 | 308.8 | 13,400 | 195 |
| 200 | 22.8 | 242.8 | 11,800 * | 31.7 | 269.6 | 12,500 * | 47.7 | 304.2 | 12,900 | 200 |
| 205 | 18.5 | 228.9 | 11,700 * | 28.8 | 260.7 | 12,300 * | 45.7 | 299.4 | 12,400 | 205 |
| 210 | 13.0 | 210.1 | 11,300 * | 25.6 | 250.6 | 12,100 * | 43.7 | 294.2 | 11,900 | 210 |
| 220 | | | | 17.5 | 224.1 | 11,700 * | 39.3 | 282.5 | 11,000 | 220 |
| 230 | | | | | | | 34.4 | 268.7 | 10,100 | 230 |
| 240 | | | | | | | 28.8 | 251.9 | 9,400 | 240 |
| 250 | | | | | | | 22.0 | 230.0 | 8,600 | 250 |
| 260 | | | | | | | 11.6 | 195.0 | 7,900 | 260 |

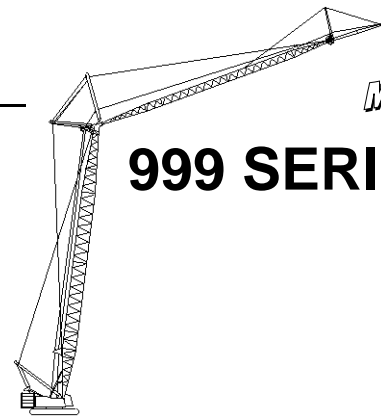


Liftcrane Fixed Jib Capacities

999 SERIES 2

Fixed Jib No. 138 At
3 Degree Offset Angle On
Luffing Jib No. 135 On
Boom No. 82 or 22EL
184,600 Lb. Crane Counterweight
44,000 Lb. Carbody Counterweight
360 Degree Rating

Designed And Tested
With The Intent To
Be In The Scope of
ANSI B30.5



160 Ft. Boom, 170 Ft. Luffing Jib, 40 Ft. Fixed Jib

| Fixed Jib Oper. Rad. Feet | 88 Degree Boom Angle | | | 83 Degree Boom Angle | | | 70 Degree Boom Angle | | | Fixed Jib Oper. Rad. Feet |
|---------------------------|-----------------------|----------------------------|---------------------------|-----------------------|----------------------------|---------------------------|-----------------------|----------------------------|---------------------------|---------------------------|
| | Luffing Jib Ang. Deg. | Fixed Jib Point Elev. Feet | Fixed Jib Capacity Pounds | Luffing Jib Ang. Deg. | Fixed Jib Point Elev. Feet | Fixed Jib Capacity Pounds | Luffing Jib Ang. Deg. | Fixed Jib Point Elev. Feet | Fixed Jib Capacity Pounds | |
| 70 | 75.3 | 371.1 | 20,800 * | | | | | | | 70 |
| 75 | 73.9 | 369.7 | 20,500 * | | | | | | | 75 |
| 80 | 72.5 | 368.1 | 20,300 * | | | | | | | 80 |
| 85 | 71.0 | 366.3 | 20,000 * | | | | | | | 85 |
| 90 | 69.6 | 364.5 | 19,700 * | | | | | | | 90 |
| 95 | 68.1 | 362.5 | 19,500 * | | | | | | | 95 |
| 100 | 66.6 | 360.3 | 19,000 * | 70.7 | 364.7 | 19,200 * | | | | 100 |
| 105 | 65.1 | 358.0 | 18,400 * | 69.3 | 362.7 | 19,000 * | | | | 105 |
| 110 | 63.6 | 355.5 | 17,800 * | 67.8 | 360.7 | 18,800 * | | | | 110 |
| 115 | 62.1 | 352.8 | 17,200 * | 66.3 | 358.5 | 18,700 * | | | | 115 |
| 120 | 60.5 | 350.0 | 16,700 * | 64.8 | 356.1 | 18,400 * | | | | 120 |
| 125 | 58.9 | 347.0 | 16,200 * | 63.3 | 353.6 | 17,900 * | | | | 125 |
| 130 | 57.3 | 343.8 | 15,700 * | 61.7 | 350.9 | 17,300 * | | | | 130 |
| 135 | 55.7 | 340.3 | 15,300 * | 60.2 | 348.0 | 16,800 * | | | | 135 |
| 140 | 54.0 | 336.7 | 14,900 * | 58.6 | 345.0 | 16,300 * | | | | 140 |
| 145 | 52.3 | 332.9 | 14,500 * | 57.0 | 341.7 | 15,800 * | | | | 145 |
| 150 | 50.5 | 328.7 | 14,200 * | 55.3 | 338.3 | 15,400 * | | | | 150 |
| 155 | 48.7 | 324.4 | 13,800 * | 53.6 | 334.6 | 15,000 * | | | | 155 |
| 160 | 46.8 | 319.7 | 13,500 * | 51.9 | 330.7 | 14,600 * | | | | 160 |
| 165 | 44.9 | 314.7 | 13,200 * | 50.1 | 326.5 | 14,300 * | | | | 165 |
| 170 | 42.9 | 309.4 | 13,000 * | 48.3 | 322.1 | 13,900 * | | | | 170 |
| 175 | 40.9 | 303.6 | 12,700 * | 46.4 | 317.3 | 13,600 * | | | | 175 |
| 180 | 38.7 | 297.5 | 12,500 * | 44.5 | 312.3 | 13,300 * | 57.0 | 332.9 | 15,000 | 180 |
| 185 | 36.4 | 290.8 | 12,200 * | 42.5 | 306.9 | 13,000 * | 55.3 | 329.4 | 14,300 | 185 |
| 190 | 34.0 | 283.5 | 12,000 * | 40.4 | 301.0 | 12,800 * | 53.7 | 325.7 | 13,700 | 190 |
| 195 | 31.5 | 275.5 | 11,800 * | 38.2 | 294.7 | 12,500 * | 51.9 | 321.8 | 13,200 | 195 |
| 200 | 28.7 | 266.5 | 11,600 * | 35.9 | 287.9 | 12,300 * | 50.2 | 317.7 | 12,600 | 200 |
| 205 | 25.6 | 256.4 | 11,400 * | 33.5 | 280.5 | 12,100 * | 48.3 | 313.2 | 12,100 | 205 |
| 210 | 22.2 | 244.7 | 11,100 * | 30.9 | 272.3 | 11,900 * | 46.5 | 308.5 | 11,600 | 210 |
| 220 | 12.7 | 211.2 | 10,400 * | 24.9 | 252.7 | 11,500 * | 42.5 | 298.0 | 10,700 | 220 |
| 230 | | | | 17.0 | 225.5 | 11,200 * | 38.3 | 285.9 | 9,900 | 230 |
| 240 | | | | | | | 33.6 | 271.7 | 9,100 | 240 |
| 250 | | | | | | | 28.1 | 254.4 | 8,400 | 250 |
| 260 | | | | | | | 21.4 | 231.9 | 7,700 | 260 |
| 270 | | | | | | | 11.3 | 195.9 | 7,100 | 270 |

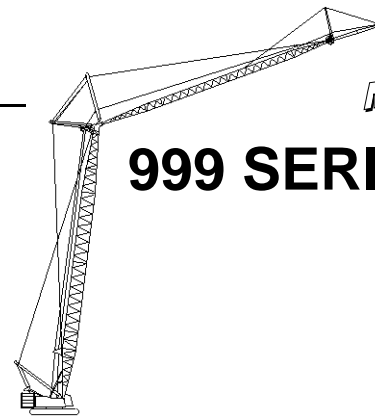


Liftcrane Fixed Jib Capacities

999 SERIES 2

Fixed Jib No. 138 At
 3 Degree Offset Angle On
 Luffing Jib No. 135 On
 Boom No. 82 or 22EL
 184,600 Lb. Crane Counterweight
 44,000 Lb. Carbody Counterweight
 360 Degree Rating

Designed And Tested
 With The Intent To
 Be In The Scope of
 ANSI B30.5



160 Ft. Boom, 140 Ft. Luffing Jib, 50 Ft. Fixed Jib

| Fixed Jib Oper. Rad. Feet | 88 Degree Boom Angle | | | 83 Degree Boom Angle | | | 70 Degree Boom Angle | | | Fixed Jib Oper. Rad. Feet |
|---------------------------|-----------------------|----------------------------|---------------------------|-----------------------|----------------------------|---------------------------|-----------------------|----------------------------|---------------------------|---------------------------|
| | Luffing Jib Ang. Deg. | Fixed Jib Point Elev. Feet | Fixed Jib Capacity Pounds | Luffing Jib Ang. Deg. | Fixed Jib Point Elev. Feet | Fixed Jib Capacity Pounds | Luffing Jib Ang. Deg. | Fixed Jib Point Elev. Feet | Fixed Jib Capacity Pounds | |
| 65 | 75.4 | 351.8 | 19,500 * | | | | | | | 65 |
| 70 | 73.8 | 350.3 | 19,200 * | | | | | | | 70 |
| 75 | 72.2 | 348.7 | 18,900 * | | | | | | | 75 |
| 80 | 70.6 | 346.9 | 18,700 * | | | | | | | 80 |
| 85 | 69.0 | 345.0 | 18,400 * | | | | | | | 85 |
| 90 | 67.4 | 342.9 | 18,200 * | | | | | | | 90 |
| 95 | 65.8 | 340.6 | 18,000 * | 70.3 | 345.2 | 18,700 * | | | | 95 |
| 100 | 64.1 | 338.1 | 17,700 * | 68.7 | 343.2 | 18,500 * | | | | 100 |
| 105 | 62.4 | 335.5 | 17,200 * | 67.0 | 341.1 | 18,300 * | | | | 105 |
| 110 | 60.7 | 332.7 | 16,600 * | 65.4 | 338.8 | 18,100 * | | | | 110 |
| 115 | 58.9 | 329.6 | 16,000 * | 63.7 | 336.3 | 17,900 * | | | | 115 |
| 120 | 57.1 | 326.4 | 15,500 * | 62.0 | 333.6 | 17,300 * | | | | 120 |
| 125 | 55.3 | 322.9 | 15,000 * | 60.3 | 330.7 | 16,700 * | | | | 125 |
| 130 | 53.4 | 319.2 | 14,500 * | 58.5 | 327.7 | 16,100 * | | | | 130 |
| 135 | 51.5 | 315.2 | 14,100 * | 56.7 | 324.4 | 15,600 * | | | | 135 |
| 140 | 49.5 | 311.0 | 13,700 * | 54.9 | 320.8 | 15,100 * | | | | 140 |
| 145 | 47.5 | 306.4 | 13,300 * | 53.0 | 317.1 | 14,600 * | | | | 145 |
| 150 | 45.4 | 301.5 | 12,900 * | 51.1 | 313.0 | 14,100 * | | | | 150 |
| 155 | 43.2 | 296.2 | 12,600 * | 49.1 | 308.7 | 13,700 * | | | | 155 |
| 160 | 40.9 | 290.4 | 12,300 * | 47.0 | 304.0 | 13,400 * | | | | 160 |
| 165 | 38.5 | 284.2 | 12,000 * | 44.9 | 299.0 | 13,000 * | | | | 165 |
| 170 | 36.0 | 277.4 | 11,700 * | 42.7 | 293.6 | 12,700 * | 56.8 | 315.5 | 15,500 * | 170 |
| 175 | 33.3 | 269.8 | 11,400 * | 40.4 | 287.8 | 12,300 * | 54.9 | 312.0 | 15,100 * | 175 |
| 180 | 30.3 | 261.5 | 11,200 * | 38.0 | 281.4 | 12,000 * | 53.0 | 308.2 | 14,600 * | 180 |
| 185 | 27.1 | 252.0 | 11,000 * | 35.4 | 274.5 | 11,800 * | 51.1 | 304.2 | 14,200 * | 185 |
| 190 | 23.5 | 240.9 | 10,800 * | 32.6 | 266.8 | 11,500 * | 49.1 | 299.8 | 13,800 * | 190 |
| 195 | 19.1 | 227.4 | 10,600 * | 29.7 | 258.2 | 11,300 * | 47.1 | 295.2 | 13,400 * | 195 |
| 200 | 13.5 | 209.1 | 10,400 * | 26.4 | 248.4 | 11,000 * | 45.0 | 290.2 | 13,100 * | 200 |
| 205 | | | | 22.6 | 236.9 | 10,800 * | 42.8 | 284.8 | 12,700 * | 205 |
| 210 | | | | 18.1 | 222.6 | 10,600 * | 40.5 | 279.0 | 12,400 * | 210 |
| 220 | | | | | | | 35.5 | 265.7 | 11,500 * | 220 |
| 230 | | | | | | | 29.7 | 249.4 | 10,700 * | 230 |
| 240 | | | | | | | 22.7 | 228.2 | 9,900 * | 240 |
| 250 | | | | | | | 12.0 | 194.1 | 9,100 * | 250 |

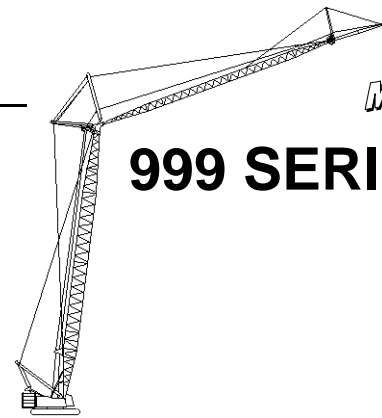


Liftcrane Fixed Jib Capacities

999 SERIES 2

Fixed Jib No. 138 At
 3 Degree Offset Angle On
 Luffing Jib No. 135 On
 Boom No. 82 or 22EL
 184,600 Lb. Crane Counterweight
 44,000 Lb. Carbody Counterweight
 360 Degree Rating

Designed And Tested
 With The Intent To
 Be In The Scope of
 ANSI B30.5



160 Ft. Boom, 150 Ft. Luffing Jib, 50 Ft. Fixed Jib

| Fixed Jib Oper. Rad. Feet | 88 Degree Boom Angle | | | 83 Degree Boom Angle | | | 70 Degree Boom Angle | | | Fixed Jib Oper. Rad. Feet |
|---------------------------|-----------------------|----------------------------|---------------------------|-----------------------|----------------------------|---------------------------|-----------------------|----------------------------|---------------------------|---------------------------|
| | Luffing Jib Ang. Deg. | Fixed Jib Point Elev. Feet | Fixed Jib Capacity Pounds | Luffing Jib Ang. Deg. | Fixed Jib Point Elev. Feet | Fixed Jib Capacity Pounds | Luffing Jib Ang. Deg. | Fixed Jib Point Elev. Feet | Fixed Jib Capacity Pounds | |
| 70 | 74.6 | 360.7 | 18,900 * | | | | | | | 70 |
| 75 | 73.1 | 359.2 | 18,600 * | | | | | | | 75 |
| 80 | 71.6 | 357.5 | 18,400 * | | | | | | | 80 |
| 85 | 70.1 | 355.7 | 18,200 * | | | | | | | 85 |
| 90 | 68.6 | 353.7 | 18,000 * | | | | | | | 90 |
| 95 | 67.0 | 351.6 | 17,800 * | | | | | | | 95 |
| 100 | 65.5 | 349.3 | 17,500 * | 69.8 | 354.0 | 18,300 * | | | | 100 |
| 105 | 63.9 | 346.8 | 16,900 * | 68.3 | 352.0 | 18,100 * | | | | 105 |
| 110 | 62.3 | 344.2 | 16,300 * | 66.7 | 349.8 | 17,900 * | | | | 110 |
| 115 | 60.6 | 341.3 | 15,700 * | 65.1 | 347.5 | 17,600 * | | | | 115 |
| 120 | 59.0 | 338.3 | 15,200 * | 63.5 | 345.0 | 17,000 * | | | | 120 |
| 125 | 57.3 | 335.1 | 14,700 * | 61.9 | 342.3 | 16,400 * | | | | 125 |
| 130 | 55.5 | 331.6 | 14,300 * | 60.3 | 339.4 | 15,800 * | | | | 130 |
| 135 | 53.8 | 328.0 | 13,900 * | 58.6 | 336.3 | 15,300 * | | | | 135 |
| 140 | 52.0 | 324.1 | 13,500 * | 56.9 | 333.1 | 14,800 * | | | | 140 |
| 145 | 50.1 | 319.9 | 13,100 * | 55.1 | 329.6 | 14,400 * | | | | 145 |
| 150 | 48.2 | 315.4 | 12,700 * | 53.4 | 325.8 | 13,900 * | | | | 150 |
| 155 | 46.2 | 310.6 | 12,400 * | 51.5 | 321.9 | 13,500 * | | | | 155 |
| 160 | 44.2 | 305.5 | 12,100 * | 49.7 | 317.6 | 13,200 * | | | | 160 |
| 165 | 42.0 | 300.0 | 11,800 * | 47.8 | 313.1 | 12,800 * | | | | 165 |
| 170 | 39.8 | 294.0 | 11,500 * | 45.8 | 308.2 | 12,500 * | | | | 170 |
| 175 | 37.5 | 287.5 | 11,300 * | 43.7 | 303.0 | 12,200 * | 56.9 | 324.2 | 14,800 * | 175 |
| 180 | 35.0 | 280.5 | 11,000 * | 41.6 | 297.4 | 11,900 * | 55.2 | 320.7 | 14,400 * | 180 |
| 185 | 32.4 | 272.7 | 10,800 * | 39.3 | 291.3 | 11,600 * | 53.4 | 317.0 | 13,900 * | 185 |
| 190 | 29.5 | 264.0 | 10,600 * | 37.0 | 284.7 | 11,300 * | 51.6 | 313.0 | 13,600 * | 190 |
| 195 | 26.4 | 254.2 | 10,400 * | 34.5 | 277.5 | 11,100 * | 49.7 | 308.8 | 13,200 * | 195 |
| 200 | 22.8 | 242.8 | 10,200 * | 31.8 | 269.6 | 10,900 * | 47.8 | 304.2 | 12,900 * | 200 |
| 205 | 18.6 | 228.9 | 10,100 * | 28.9 | 260.7 | 10,600 * | 45.8 | 299.4 | 12,500 * | 205 |
| 210 | 13.1 | 210.2 | 9,900 * | 25.7 | 250.6 | 10,500 * | 43.7 | 294.2 | 12,200 * | 210 |
| 220 | | | | 17.6 | 224.1 | 10,100 * | 39.4 | 282.5 | 11,400 * | 220 |
| 230 | | | | | | | 34.5 | 268.7 | 10,600 * | 230 |
| 240 | | | | | | | 28.9 | 252.0 | 9,800 * | 240 |
| 250 | | | | | | | 22.1 | 230.1 | 9,100 * | 250 |
| 260 | | | | | | | 11.7 | 195.0 | 8,400 * | 260 |

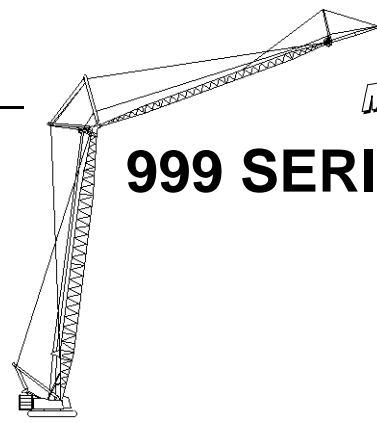


Liftcrane Fixed Jib Capacities

999 SERIES 2

Fixed Jib No. 138 At
3 Degree Offset Angle On
Luffing Jib No. 135 On
Boom No. 82 or 22EL
184,600 Lb. Crane Counterweight
44,000 Lb. Carbody Counterweight
360 Degree Rating

Designed And Tested
With The Intent To
Be In The Scope of
ANSI B30.5



160 Ft. Boom, 160 Ft. Luffing Jib, 50 Ft. Fixed Jib

| Fixed Jib Oper. Rad. Feet | 88 Degree Boom Angle | | | 83 Degree Boom Angle | | | 70 Degree Boom Angle | | | Fixed Jib Oper. Rad. Feet |
|---------------------------|-----------------------|----------------------------|---------------------------|-----------------------|----------------------------|---------------------------|-----------------------|----------------------------|---------------------------|---------------------------|
| | Luffing Jib Ang. Deg. | Fixed Jib Point Elev. Feet | Fixed Jib Capacity Pounds | Luffing Jib Ang. Deg. | Fixed Jib Point Elev. Feet | Fixed Jib Capacity Pounds | Luffing Jib Ang. Deg. | Fixed Jib Point Elev. Feet | Fixed Jib Capacity Pounds | |
| 70 | 75.4 | 371.1 | 18,500 * | | | | | | | 70 |
| 75 | 74.0 | 369.7 | 18,300 * | | | | | | | 75 |
| 80 | 72.5 | 368.1 | 18,100 * | | | | | | | 80 |
| 85 | 71.1 | 366.4 | 17,900 * | | | | | | | 85 |
| 90 | 69.7 | 364.5 | 17,700 * | | | | | | | 90 |
| 95 | 68.2 | 362.5 | 17,500 * | | | | | | | 95 |
| 100 | 66.7 | 360.3 | 17,200 * | 70.8 | 364.7 | 17,600 * | | | | 100 |
| 105 | 65.2 | 358.0 | 16,600 * | 69.3 | 362.8 | 17,300 * | | | | 105 |
| 110 | 63.7 | 355.5 | 16,000 * | 67.9 | 360.7 | 17,100 * | | | | 110 |
| 115 | 62.2 | 352.8 | 15,500 * | 66.4 | 358.5 | 16,900 * | | | | 115 |
| 120 | 60.6 | 350.0 | 15,000 * | 64.9 | 356.1 | 16,700 * | | | | 120 |
| 125 | 59.0 | 347.0 | 14,500 * | 63.4 | 353.6 | 16,100 * | | | | 125 |
| 130 | 57.4 | 343.8 | 14,100 * | 61.8 | 350.9 | 15,600 * | | | | 130 |
| 135 | 55.8 | 340.4 | 13,700 * | 60.3 | 348.1 | 15,100 * | | | | 135 |
| 140 | 54.1 | 336.7 | 13,300 * | 58.7 | 345.0 | 14,600 * | | | | 140 |
| 145 | 52.4 | 332.9 | 12,900 * | 57.0 | 341.7 | 14,200 * | | | | 145 |
| 150 | 50.6 | 328.8 | 12,600 * | 55.4 | 338.3 | 13,700 * | | | | 150 |
| 155 | 48.8 | 324.4 | 12,200 * | 53.7 | 334.6 | 13,300 * | | | | 155 |
| 160 | 46.9 | 319.7 | 11,900 * | 52.0 | 330.7 | 13,000 * | | | | 160 |
| 165 | 45.0 | 314.7 | 11,700 * | 50.2 | 326.5 | 12,600 * | | | | 165 |
| 170 | 43.0 | 309.4 | 11,400 * | 48.4 | 322.1 | 12,300 * | | | | 170 |
| 175 | 41.0 | 303.7 | 11,100 * | 46.5 | 317.3 | 12,000 * | | | | 175 |
| 180 | 38.8 | 297.5 | 10,900 * | 44.6 | 312.3 | 11,700 * | 57.1 | 332.9 | 14,100 * | 180 |
| 185 | 36.5 | 290.8 | 10,700 * | 42.6 | 306.9 | 11,500 * | 55.4 | 329.4 | 13,700 * | 185 |
| 190 | 34.1 | 283.5 | 10,500 * | 40.5 | 301.0 | 11,200 * | 53.7 | 325.7 | 13,300 * | 190 |
| 195 | 31.6 | 275.5 | 10,300 * | 38.3 | 294.8 | 11,000 * | 52.0 | 321.8 | 13,000 * | 195 |
| 200 | 28.8 | 266.6 | 10,100 * | 36.0 | 287.9 | 10,700 * | 50.2 | 317.7 | 12,700 * | 200 |
| 205 | 25.7 | 256.5 | 9,900 * | 33.6 | 280.5 | 10,500 * | 48.4 | 313.2 | 12,300 * | 205 |
| 210 | 22.3 | 244.7 | 9,800 * | 31.0 | 272.3 | 10,300 * | 46.6 | 308.5 | 12,000 | 210 |
| 220 | 12.8 | 211.2 | 9,500 * | 25.0 | 252.8 | 10,000 * | 42.6 | 298.0 | 11,000 | 220 |
| 230 | | | | 17.1 | 225.5 | 9,700 * | 38.4 | 285.9 | 10,200 | 230 |
| 240 | | | | | | | 33.6 | 271.7 | 9,400 | 240 |
| 250 | | | | | | | 28.2 | 254.4 | 8,700 | 250 |
| 260 | | | | | | | 21.5 | 231.9 | 8,100 | 260 |
| 270 | | | | | | | 11.4 | 195.9 | 7,400 | 270 |

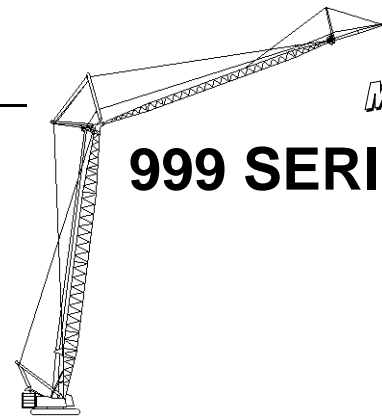


Liftcrane Fixed Jib Capacities

999 SERIES 2

Fixed Jib No. 138 At
3 Degree Offset Angle On
Luffing Jib No. 135 On
Boom No. 82 or 22EL
184,600 Lb. Crane Counterweight
44,000 Lb. Carbody Counterweight
360 Degree Rating

Designed And Tested
With The Intent To
Be In The Scope of
ANSI B30.5



160 Ft. Boom, 170 Ft. Luffing Jib, 50 Ft. Fixed Jib

| Fixed Jib Oper. Rad. Feet | 88 Degree Boom Angle | | | 83 Degree Boom Angle | | | 70 Degree Boom Angle | | | Fixed Jib Oper. Rad. Feet |
|---------------------------|-----------------------|----------------------------|---------------------------|-----------------------|----------------------------|---------------------------|-----------------------|----------------------------|---------------------------|---------------------------|
| | Luffing Jib Ang. Deg. | Fixed Jib Point Elev. Feet | Fixed Jib Capacity Pounds | Luffing Jib Ang. Deg. | Fixed Jib Point Elev. Feet | Fixed Jib Capacity Pounds | Luffing Jib Ang. Deg. | Fixed Jib Point Elev. Feet | Fixed Jib Capacity Pounds | |
| 75 | 74.7 | 380.1 | 17,400 * | | | | | | | 75 |
| 80 | 73.4 | 378.6 | 17,100 * | | | | | | | 80 |
| 85 | 72.0 | 376.9 | 16,900 * | | | | | | | 85 |
| 90 | 70.6 | 375.2 | 16,700 * | | | | | | | 90 |
| 95 | 69.2 | 373.3 | 16,400 * | | | | | | | 95 |
| 100 | 67.8 | 371.2 | 16,200 * | | | | | | | 100 |
| 105 | 66.4 | 369.0 | 16,000 * | 70.3 | 373.5 | 16,200 * | | | | 105 |
| 110 | 65.0 | 366.7 | 15,700 * | 68.9 | 371.5 | 16,000 * | | | | 110 |
| 115 | 63.5 | 364.2 | 15,200 * | 67.5 | 369.4 | 15,800 * | | | | 115 |
| 120 | 62.1 | 361.5 | 14,700 * | 66.1 | 367.2 | 15,600 * | | | | 120 |
| 125 | 60.6 | 358.7 | 14,200 * | 64.7 | 364.8 | 15,400 * | | | | 125 |
| 130 | 59.1 | 355.6 | 13,800 * | 63.2 | 362.3 | 15,200 * | | | | 130 |
| 135 | 57.5 | 352.5 | 13,400 * | 61.7 | 359.6 | 14,700 * | | | | 135 |
| 140 | 56.0 | 349.1 | 13,000 * | 60.2 | 356.7 | 14,300 * | | | | 140 |
| 145 | 54.4 | 345.5 | 12,700 * | 58.7 | 353.7 | 13,900 * | | | | 145 |
| 150 | 52.7 | 341.7 | 12,300 * | 57.2 | 350.4 | 13,500 * | | | | 150 |
| 155 | 51.1 | 337.6 | 12,000 * | 55.6 | 347.0 | 13,100 * | | | | 155 |
| 160 | 49.3 | 333.3 | 11,700 * | 54.0 | 343.4 | 12,700 * | | | | 160 |
| 165 | 47.6 | 328.8 | 11,500 * | 52.4 | 339.5 | 12,400 * | | | | 165 |
| 170 | 45.8 | 323.9 | 11,200 * | 50.7 | 335.4 | 12,100 * | | | | 170 |
| 175 | 43.9 | 318.7 | 10,900 * | 49.0 | 331.0 | 11,800 * | | | | 175 |
| 180 | 42.0 | 313.2 | 10,700 * | 47.2 | 326.4 | 11,500 * | | | | 180 |
| 185 | 40.0 | 307.2 | 10,500 * | 45.4 | 321.5 | 11,300 * | 57.2 | 341.5 | 13,000 * | 185 |
| 190 | 37.9 | 300.9 | 10,300 * | 43.5 | 316.2 | 11,000 * | 55.6 | 338.1 | 13,000 * | 190 |
| 195 | 35.7 | 294.0 | 10,100 * | 41.5 | 310.6 | 10,800 * | 54.0 | 334.5 | 12,700 * | 195 |
| 200 | 33.3 | 286.4 | 9,900 * | 39.5 | 304.6 | 10,500 * | 52.4 | 330.6 | 12,400 * | 200 |
| 205 | 30.8 | 278.2 | 9,700 * | 37.4 | 298.1 | 10,300 * | 50.7 | 326.5 | 12,100 * | 205 |
| 210 | 28.1 | 269.0 | 9,600 * | 35.2 | 291.1 | 10,100 * | 49.0 | 322.2 | 11,700 | 210 |
| 220 | 21.7 | 246.6 | 9,300 * | 30.2 | 275.0 | 9,800 * | 45.4 | 312.7 | 10,800 | 220 |
| 230 | 12.4 | 212.2 | 9,100 * | 24.4 | 254.9 | 9,500 * | 41.6 | 301.8 | 9,900 | 230 |
| 240 | | | | 16.7 | 226.9 | 9,200 * | 37.4 | 289.3 | 9,200 | 240 |
| 250 | | | | | | | 32.8 | 274.6 | 8,500 | 250 |
| 260 | | | | | | | 27.5 | 256.8 | 7,800 | 260 |
| 270 | | | | | | | 21.0 | 233.7 | 7,200 | 270 |
| 280 | | | | | | | 11.1 | 196.8 | 6,600 | 280 |

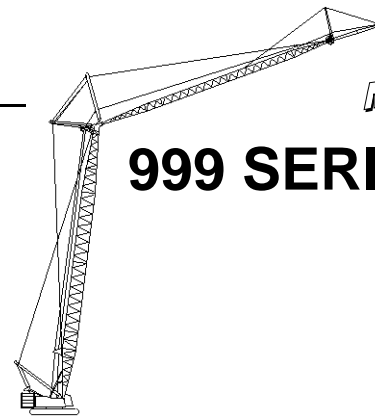


Liftcrane Fixed Jib Capacities

999 SERIES 2

Fixed Jib No. 138 At
 3 Degree Offset Angle On
 Luffing Jib No. 135 On
 Boom No. 82 or 22EL
 184,600 Lb. Crane Counterweight
 44,000 Lb. Carbody Counterweight
 360 Degree Rating

Designed And Tested
 With The Intent To
 Be In The Scope of
 ANSI B30.5



160 Ft. Boom, 140 Ft. Luffing Jib, 60 Ft. Fixed Jib

| Fixed Jib Oper. Rad. Feet | 88 Degree Boom Angle | | | 83 Degree Boom Angle | | | 70 Degree Boom Angle | | | Fixed Jib Oper. Rad. Feet |
|---------------------------|-----------------------|----------------------------|---------------------------|-----------------------|----------------------------|---------------------------|-----------------------|----------------------------|---------------------------|---------------------------|
| | Luffing Jib Ang. Deg. | Fixed Jib Point Elev. Feet | Fixed Jib Capacity Pounds | Luffing Jib Ang. Deg. | Fixed Jib Point Elev. Feet | Fixed Jib Capacity Pounds | Luffing Jib Ang. Deg. | Fixed Jib Point Elev. Feet | Fixed Jib Capacity Pounds | |
| 65 | 75.9 | 362.2 | 16,700 * | | | | | | | 65 |
| 70 | 74.4 | 360.8 | 16,400 * | | | | | | | 70 |
| 75 | 73.0 | 359.2 | 16,000 * | | | | | | | 75 |
| 80 | 71.4 | 357.6 | 15,700 * | | | | | | | 80 |
| 85 | 69.9 | 355.7 | 15,400 * | | | | | | | 85 |
| 90 | 68.4 | 353.8 | 15,000 * | | | | | | | 90 |
| 95 | 66.8 | 351.6 | 14,700 * | | | | | | | 95 |
| 100 | 65.3 | 349.3 | 14,400 * | 69.6 | 354.0 | 15,100 * | | | | 100 |
| 105 | 63.7 | 346.9 | 14,100 * | 68.1 | 352.0 | 14,800 * | | | | 105 |
| 110 | 62.1 | 344.2 | 13,800 * | 66.5 | 349.8 | 14,600 * | | | | 110 |
| 115 | 60.4 | 341.4 | 13,500 * | 64.9 | 347.5 | 14,200 * | | | | 115 |
| 120 | 58.8 | 338.4 | 13,300 * | 63.3 | 345.0 | 13,900 * | | | | 120 |
| 125 | 57.1 | 335.1 | 13,000 * | 61.7 | 342.3 | 13,600 * | | | | 125 |
| 130 | 55.3 | 331.7 | 12,800 * | 60.1 | 339.4 | 13,400 * | | | | 130 |
| 135 | 53.6 | 328.0 | 12,600 * | 58.4 | 336.4 | 13,200 * | | | | 135 |
| 140 | 51.8 | 324.1 | 12,200 * | 56.7 | 333.1 | 12,900 * | | | | 140 |
| 145 | 49.9 | 319.9 | 11,900 * | 55.0 | 329.6 | 12,700 * | | | | 145 |
| 150 | 48.0 | 315.5 | 11,600 * | 53.2 | 325.9 | 12,500 * | | | | 150 |
| 155 | 46.0 | 310.7 | 11,200 * | 51.4 | 321.9 | 12,300 * | | | | 155 |
| 160 | 44.0 | 305.5 | 10,900 * | 49.5 | 317.7 | 12,000 * | | | | 160 |
| 165 | 41.9 | 300.0 | 10,700 * | 47.6 | 313.1 | 11,600 * | | | | 165 |
| 170 | 39.6 | 294.1 | 10,400 * | 45.6 | 308.3 | 11,300 * | | | | 170 |
| 175 | 37.3 | 287.6 | 10,100 * | 43.5 | 303.1 | 11,000 * | 56.7 | 324.2 | 12,200 * | 175 |
| 180 | 34.8 | 280.5 | 9,900 * | 41.4 | 297.5 | 10,700 * | 55.0 | 320.7 | 12,100 * | 180 |
| 185 | 32.2 | 272.8 | 9,700 * | 39.1 | 291.4 | 10,500 * | 53.2 | 317.0 | 12,000 * | 185 |
| 190 | 29.4 | 264.1 | 9,500 * | 36.8 | 284.8 | 10,200 * | 51.4 | 313.1 | 11,800 * | 190 |
| 195 | 26.2 | 254.3 | 9,300 * | 34.3 | 277.6 | 10,000 * | 49.5 | 308.8 | 11,700 * | 195 |
| 200 | 22.7 | 243.0 | 9,100 * | 31.6 | 269.7 | 9,700 * | 47.6 | 304.3 | 11,600 * | 200 |
| 205 | 18.5 | 229.1 | 8,800 * | 28.7 | 260.8 | 9,500 * | 45.6 | 299.4 | 11,400 * | 205 |
| 210 | 13.0 | 210.4 | 8,600 * | 25.5 | 250.7 | 9,300 * | 43.6 | 294.2 | 11,100 * | 210 |
| 220 | | | | 17.4 | 224.2 | 9,000 * | 39.2 | 282.6 | 10,500 * | 220 |
| 230 | | | | | | | 34.3 | 268.8 | 10,000 * | 230 |
| 240 | | | | | | | 28.8 | 252.0 | 9,600 * | 240 |
| 250 | | | | | | | 21.9 | 230.2 | 9,200 * | 250 |
| 260 | | | | | | | 11.5 | 195.2 | 8,600 | 260 |

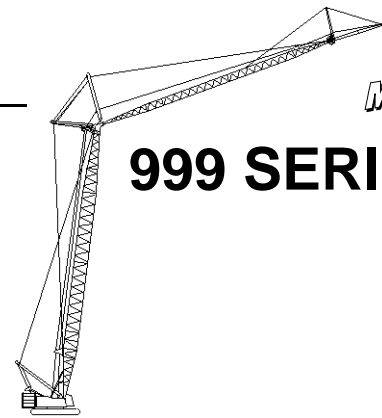


Liftcrane Fixed Jib Capacities

999 SERIES 2

Fixed Jib No. 138 At
3 Degree Offset Angle On
Luffing Jib No. 135 On
Boom No. 82 or 22EL
184,600 Lb. Crane Counterweight
44,000 Lb. Carbody Counterweight
360 Degree Rating

Designed And Tested
With The Intent To
Be In The Scope of
ANSI B30.5



160 Ft. Boom, 150 Ft. Luffing Jib, 60 Ft. Fixed Jib

| Fixed Jib Oper. Rad. Feet | 88 Degree Boom Angle | | | 83 Degree Boom Angle | | | 70 Degree Boom Angle | | | Fixed Jib Oper. Rad. Feet |
|---------------------------|-----------------------|----------------------------|---------------------------|-----------------------|----------------------------|---------------------------|-----------------------|----------------------------|---------------------------|---------------------------|
| | Luffing Jib Ang. Deg. | Fixed Jib Point Elev. Feet | Fixed Jib Capacity Pounds | Luffing Jib Ang. Deg. | Fixed Jib Point Elev. Feet | Fixed Jib Capacity Pounds | Luffing Jib Ang. Deg. | Fixed Jib Point Elev. Feet | Fixed Jib Capacity Pounds | |
| 70 | 75.2 | 371.2 | 15,800 * | | | | | | | 70 |
| 75 | 73.8 | 369.7 | 15,500 * | | | | | | | 75 |
| 80 | 72.4 | 368.1 | 15,200 * | | | | | | | 80 |
| 85 | 70.9 | 366.4 | 14,900 * | | | | | | | 85 |
| 90 | 69.5 | 364.5 | 14,600 * | | | | | | | 90 |
| 95 | 68.0 | 362.5 | 14,300 * | | | | | | | 95 |
| 100 | 66.5 | 360.3 | 14,000 * | 70.6 | 364.7 | 14,600 * | | | | 100 |
| 105 | 65.0 | 358.0 | 13,700 * | 69.2 | 362.8 | 14,300 * | | | | 105 |
| 110 | 63.5 | 355.5 | 13,500 * | 67.7 | 360.8 | 14,000 * | | | | 110 |
| 115 | 62.0 | 352.9 | 13,200 * | 66.2 | 358.6 | 13,800 * | | | | 115 |
| 120 | 60.4 | 350.0 | 13,000 * | 64.7 | 356.2 | 13,500 * | | | | 120 |
| 125 | 58.8 | 347.0 | 12,800 * | 63.2 | 353.7 | 13,300 * | | | | 125 |
| 130 | 57.2 | 343.8 | 12,500 * | 61.6 | 351.0 | 13,100 * | | | | 130 |
| 135 | 55.6 | 340.4 | 12,300 * | 60.1 | 348.1 | 12,900 * | | | | 135 |
| 140 | 53.9 | 336.8 | 12,100 * | 58.5 | 345.1 | 12,600 * | | | | 140 |
| 145 | 52.2 | 332.9 | 11,700 * | 56.9 | 341.8 | 12,500 * | | | | 145 |
| 150 | 50.4 | 328.8 | 11,400 * | 55.2 | 338.3 | 12,200 * | | | | 150 |
| 155 | 48.6 | 324.4 | 11,100 * | 53.5 | 334.7 | 12,000 * | | | | 155 |
| 160 | 46.8 | 319.8 | 10,800 * | 51.8 | 330.7 | 11,800 * | | | | 160 |
| 165 | 44.8 | 314.8 | 10,500 * | 50.0 | 326.6 | 11,500 * | | | | 165 |
| 170 | 42.9 | 309.4 | 10,200 * | 48.2 | 322.1 | 11,200 * | | | | 170 |
| 175 | 40.8 | 303.7 | 10,000 * | 46.3 | 317.4 | 10,900 * | | | | 175 |
| 180 | 38.6 | 297.5 | 9,800 * | 44.4 | 312.4 | 10,600 * | 56.9 | 332.9 | 11,700 * | 180 |
| 185 | 36.4 | 290.9 | 9,500 * | 42.4 | 306.9 | 10,300 * | 55.2 | 329.5 | 11,600 * | 185 |
| 190 | 34.0 | 283.6 | 9,300 * | 40.3 | 301.1 | 10,100 * | 53.6 | 325.8 | 11,500 * | 190 |
| 195 | 31.4 | 275.6 | 9,100 * | 38.1 | 294.8 | 9,800 * | 51.8 | 321.9 | 11,400 * | 195 |
| 200 | 28.6 | 266.6 | 9,000 * | 35.8 | 288.0 | 9,600 * | 50.1 | 317.7 | 11,200 * | 200 |
| 205 | 25.6 | 256.6 | 8,800 * | 33.4 | 280.6 | 9,400 * | 48.3 | 313.3 | 11,200 * | 205 |
| 210 | 22.1 | 244.9 | 8,600 * | 30.8 | 272.4 | 9,200 * | 46.4 | 308.6 | 10,900 * | 210 |
| 220 | 12.6 | 211.4 | 8,400 * | 24.8 | 252.9 | 8,800 * | 42.5 | 298.1 | 10,400 * | 220 |
| 230 | | | | 17.0 | 225.7 | 8,500 * | 38.2 | 286.0 | 9,900 * | 230 |
| 240 | | | | | | | 33.5 | 271.8 | 9,400 * | 240 |
| 250 | | | | | | | 28.0 | 254.5 | 9,100 * | 250 |
| 260 | | | | | | | 21.4 | 232.0 | 8,500 | 260 |
| 270 | | | | | | | 11.2 | 196.2 | 7,800 | 270 |

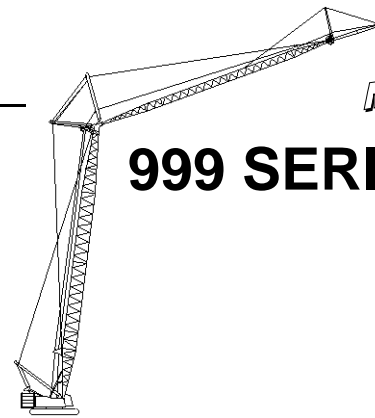


Liftcrane Fixed Jib Capacities

999 SERIES 2

Fixed Jib No. 138 At
3 Degree Offset Angle On
Luffing Jib No. 135 On
Boom No. 82 or 22EL
184,600 Lb. Crane Counterweight
44,000 Lb. Carbody Counterweight
360 Degree Rating

Designed And Tested
With The Intent To
Be In The Scope of
ANSI B30.5



160 Ft. Boom, 160 Ft. Luffing Jib, 60 Ft. Fixed Jib

| Fixed Jib Oper. Rad. Feet | 88 Degree Boom Angle | | | 83 Degree Boom Angle | | | 70 Degree Boom Angle | | | Fixed Jib Oper. Rad. Feet |
|---------------------------|-----------------------|----------------------------|---------------------------|-----------------------|----------------------------|---------------------------|-----------------------|----------------------------|---------------------------|---------------------------|
| | Luffing Jib Ang. Deg. | Fixed Jib Point Elev. Feet | Fixed Jib Capacity Pounds | Luffing Jib Ang. Deg. | Fixed Jib Point Elev. Feet | Fixed Jib Capacity Pounds | Luffing Jib Ang. Deg. | Fixed Jib Point Elev. Feet | Fixed Jib Capacity Pounds | |
| 70 | 75.9 | 381.5 | 15,200 * | | | | | | | 70 |
| 75 | 74.5 | 380.1 | 14,900 * | | | | | | | 75 |
| 80 | 73.2 | 378.6 | 14,600 * | | | | | | | 80 |
| 85 | 71.8 | 377.0 | 14,300 * | | | | | | | 85 |
| 90 | 70.4 | 375.2 | 14,100 * | | | | | | | 90 |
| 95 | 69.1 | 373.3 | 13,800 * | | | | | | | 95 |
| 100 | 67.7 | 371.3 | 13,600 * | | | | | | | 100 |
| 105 | 66.2 | 369.1 | 13,300 * | 70.1 | 373.5 | 13,800 * | | | | 105 |
| 110 | 64.8 | 366.7 | 13,000 * | 68.8 | 371.6 | 13,600 * | | | | 110 |
| 115 | 63.4 | 364.2 | 12,800 * | 67.3 | 369.5 | 13,300 * | | | | 115 |
| 120 | 61.9 | 361.5 | 12,600 * | 65.9 | 367.3 | 13,100 * | | | | 120 |
| 125 | 60.4 | 358.7 | 12,400 * | 64.5 | 364.9 | 12,900 * | | | | 125 |
| 130 | 58.9 | 355.7 | 12,200 * | 63.0 | 362.3 | 12,700 * | | | | 130 |
| 135 | 57.3 | 352.5 | 12,000 * | 61.6 | 359.6 | 12,500 * | | | | 135 |
| 140 | 55.8 | 349.1 | 11,800 * | 60.1 | 356.8 | 12,300 * | | | | 140 |
| 145 | 54.2 | 345.5 | 11,600 * | 58.5 | 353.7 | 12,100 * | | | | 145 |
| 150 | 52.6 | 341.7 | 11,300 * | 57.0 | 350.5 | 11,900 * | | | | 150 |
| 155 | 50.9 | 337.7 | 10,900 * | 55.4 | 347.1 | 11,700 * | | | | 155 |
| 160 | 49.2 | 333.4 | 10,700 * | 53.8 | 343.4 | 11,600 * | | | | 160 |
| 165 | 47.4 | 328.8 | 10,400 * | 52.2 | 339.6 | 11,300 * | | | | 165 |
| 170 | 45.6 | 324.0 | 10,100 * | 50.5 | 335.5 | 11,000 * | | | | 170 |
| 175 | 43.7 | 318.8 | 9,900 * | 48.8 | 331.1 | 10,700 * | | | | 175 |
| 180 | 41.8 | 313.2 | 9,600 * | 47.0 | 326.5 | 10,400 * | | | | 180 |
| 185 | 39.8 | 307.3 | 9,400 * | 45.2 | 321.6 | 10,200 * | 57.0 | 341.6 | 11,100 * | 185 |
| 190 | 37.7 | 300.9 | 9,200 * | 43.3 | 316.3 | 9,900 * | 55.5 | 338.2 | 11,000 * | 190 |
| 195 | 35.5 | 294.0 | 9,000 * | 41.4 | 310.7 | 9,700 * | 53.9 | 334.5 | 10,900 * | 195 |
| 200 | 33.1 | 286.5 | 8,800 * | 39.3 | 304.7 | 9,500 * | 52.2 | 330.7 | 10,900 * | 200 |
| 205 | 30.6 | 278.3 | 8,700 * | 37.2 | 298.2 | 9,300 * | 50.5 | 326.6 | 10,700 * | 205 |
| 210 | 27.9 | 269.1 | 8,500 * | 35.0 | 291.1 | 9,100 * | 48.8 | 322.2 | 10,600 * | 210 |
| 220 | 21.6 | 246.7 | 8,200 * | 30.1 | 275.0 | 8,700 * | 45.2 | 312.7 | 10,200 * | 220 |
| 230 | | | 8,000 * | 24.3 | 255.0 | 8,400 * | 41.4 | 301.9 | 9,700 * | 230 |
| 240 | | | | 16.6 | 227.1 | 8,100 * | 37.3 | 289.4 | 9,300 * | 240 |
| 250 | | | | | | | 32.7 | 274.7 | 8,800 | 250 |
| 260 | | | | | | | 27.4 | 256.9 | 8,100 | 260 |
| 270 | | | | | | | 20.8 | 233.8 | 7,500 | 270 |
| 280 | | | | | | | 11.0 | 197.1 | 6,900 | 280 |

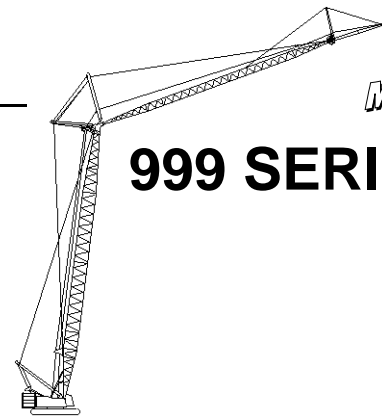


Liftcrane Fixed Jib Capacities

999 SERIES 2

Fixed Jib No. 138 At
3 Degree Offset Angle On
Luffing Jib No. 135 On
Boom No. 82 or 22EL
184,600 Lb. Crane Counterweight
44,000 Lb. Carbody Counterweight
360 Degree Rating

Designed And Tested
With The Intent To
Be In The Scope of
ANSI B30.5



160 Ft. Boom, 170 Ft. Luffing Jib, 60 Ft. Fixed Jib

| Fixed Jib Oper. Rad. Feet | 88 Degree Boom Angle | | | 83 Degree Boom Angle | | | 70 Degree Boom Angle | | | Fixed Jib Oper. Rad. Feet |
|---------------------------|-----------------------|----------------------------|---------------------------|-----------------------|----------------------------|---------------------------|-----------------------|----------------------------|---------------------------|---------------------------|
| | Luffing Jib Ang. Deg. | Fixed Jib Point Elev. Feet | Fixed Jib Capacity Pounds | Luffing Jib Ang. Deg. | Fixed Jib Point Elev. Feet | Fixed Jib Capacity Pounds | Luffing Jib Ang. Deg. | Fixed Jib Point Elev. Feet | Fixed Jib Capacity Pounds | |
| 75 | 75.2 | 390.5 | 14,200 * | | | | | | | 75 |
| 80 | 73.9 | 389.1 | 13,900 * | | | | | | | 80 |
| 85 | 72.6 | 387.5 | 13,700 * | | | | | | | 85 |
| 90 | 71.3 | 385.8 | 13,500 * | | | | | | | 90 |
| 95 | 70.0 | 384.0 | 13,300 * | | | | | | | 95 |
| 100 | 68.7 | 382.1 | 13,000 * | | | | | | | 100 |
| 105 | 67.3 | 380.0 | 12,800 * | | | | | | | 105 |
| 110 | 66.0 | 377.8 | 12,600 * | 69.7 | 382.3 | 13,000 * | | | | 110 |
| 115 | 64.6 | 375.4 | 12,400 * | 68.4 | 380.3 | 12,800 * | | | | 115 |
| 120 | 63.2 | 372.9 | 12,200 * | 67.0 | 378.2 | 12,600 * | | | | 120 |
| 125 | 61.8 | 370.2 | 12,000 * | 65.7 | 376.0 | 12,400 * | | | | 125 |
| 130 | 60.4 | 367.4 | 11,800 * | 64.3 | 373.6 | 12,200 * | | | | 130 |
| 135 | 58.9 | 364.4 | 11,600 * | 62.9 | 371.0 | 12,000 * | | | | 135 |
| 140 | 57.5 | 361.2 | 11,400 * | 61.5 | 368.3 | 11,800 * | | | | 140 |
| 145 | 56.0 | 357.8 | 11,300 * | 60.1 | 365.4 | 11,700 * | | | | 145 |
| 150 | 54.4 | 354.3 | 11,100 * | 58.6 | 362.4 | 11,500 * | | | | 150 |
| 155 | 52.9 | 350.5 | 10,800 * | 57.1 | 359.2 | 11,300 * | | | | 155 |
| 160 | 51.3 | 346.5 | 10,500 * | 55.6 | 355.8 | 11,200 * | | | | 160 |
| 165 | 49.7 | 342.3 | 10,200 * | 54.1 | 352.2 | 11,100 * | | | | 165 |
| 170 | 48.0 | 337.8 | 10,000 * | 52.5 | 348.3 | 10,800 * | | | | 170 |
| 175 | 46.3 | 333.1 | 9,700 * | 51.0 | 344.3 | 10,500 * | | | | 175 |
| 180 | 44.5 | 328.0 | 9,500 * | 49.3 | 340.0 | 10,300 * | | | | 180 |
| 185 | 42.7 | 322.7 | 9,300 * | 47.6 | 335.5 | 10,000 * | | | | 185 |
| 190 | 40.8 | 317.0 | 9,100 * | 45.9 | 330.7 | 9,800 * | 57.2 | 350.3 | 10,500 * | 190 |
| 195 | 38.9 | 310.8 | 8,900 * | 44.2 | 325.6 | 9,500 * | 55.7 | 346.9 | 10,400 * | 195 |
| 200 | 36.8 | 304.2 | 8,700 * | 42.3 | 320.2 | 9,300 * | 54.1 | 343.3 | 10,300 * | 200 |
| 205 | 34.7 | 297.1 | 8,500 * | 40.4 | 314.3 | 9,100 * | 52.6 | 339.5 | 10,300 * | 205 |
| 210 | 32.4 | 289.4 | 8,400 * | 38.4 | 308.1 | 8,900 * | 51.0 | 335.4 | 10,200 * | 210 |
| 220 | 27.3 | 271.5 | 8,100 * | 34.2 | 294.2 | 8,600 * | 47.7 | 326.7 | 10,000 * | 220 |
| 230 | 21.1 | 248.5 | 7,800 * | 29.4 | 277.6 | 8,300 * | 44.2 | 316.8 | 9,600 * | 230 |
| 240 | 12.0 | 213.5 | 7,600 * | 23.7 | 257.0 | 8,000 * | 40.5 | 305.5 | 9,200 * | 240 |
| 250 | | | | 16.2 | 228.5 | 7,700 * | 36.4 | 292.6 | 8,500 | 250 |
| 260 | | | | | | | 31.9 | 277.5 | 7,900 | 260 |
| 270 | | | | | | | 26.7 | 259.2 | 7,300 | 270 |
| 280 | | | | | | | 20.4 | 235.6 | 6,700 | 280 |
| 290 | | | | | | | 10.7 | 198.0 | 6,200 | 290 |

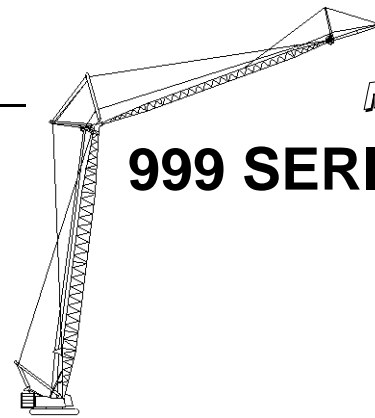


Liftcrane Fixed Jib Capacities

999 SERIES 2

Fixed Jib No. 138 At
3 Degree Offset Angle On
Luffing Jib No. 135 On
Boom No. 82 or 22EL
184,600 Lb. Crane Counterweight
44,000 Lb. Carbody Counterweight
360 Degree Rating

Designed And Tested
With The Intent To
Be In The Scope of
ANSI B30.5



170 Ft. Boom, 140 Ft. Luffing Jib, 30 Ft. Fixed Jib

| Fixed Jib Oper. Rad. Feet | 88 Degree Boom Angle | | | 83 Degree Boom Angle | | | 70 Degree Boom Angle | | | Fixed Jib Oper. Rad. Feet |
|---------------------------|-----------------------|----------------------------|---------------------------|-----------------------|----------------------------|---------------------------|-----------------------|----------------------------|---------------------------|---------------------------|
| | Luffing Jib Ang. Deg. | Fixed Jib Point Elev. Feet | Fixed Jib Capacity Pounds | Luffing Jib Ang. Deg. | Fixed Jib Point Elev. Feet | Fixed Jib Capacity Pounds | Luffing Jib Ang. Deg. | Fixed Jib Point Elev. Feet | Fixed Jib Capacity Pounds | |
| 60 | 74.9 | 342.5 | 27,400 * | | | | | | | 60 |
| 65 | 73.2 | 341.0 | 27,100 * | | | | | | | 65 |
| 70 | 71.4 | 339.4 | 26,800 * | | | | | | | 70 |
| 75 | 69.6 | 337.6 | 26,500 * | | | | | | | 75 |
| 80 | 67.8 | 335.6 | 26,300 * | | | | | | | 80 |
| 85 | 66.0 | 333.4 | 26,000 * | | | | | | | 85 |
| 90 | 64.1 | 331.0 | 25,800 * | 69.6 | 336.1 | 26,700 * | | | | 90 |
| 95 | 62.3 | 328.4 | 25,000 * | 67.7 | 334.1 | 26,500 * | | | | 95 |
| 100 | 60.3 | 325.6 | 24,100 * | 65.9 | 331.9 | 26,300 * | | | | 100 |
| 105 | 58.4 | 322.6 | 23,300 * | 64.1 | 329.5 | 26,100 * | | | | 105 |
| 110 | 56.4 | 319.3 | 22,500 * | 62.2 | 326.9 | 25,200 * | | | | 110 |
| 115 | 54.3 | 315.8 | 21,700 * | 60.2 | 324.1 | 24,300 * | | | | 115 |
| 120 | 52.2 | 312.0 | 21,100 * | 58.3 | 321.1 | 23,500 * | | | | 120 |
| 125 | 50.0 | 307.9 | 20,400 * | 56.3 | 317.8 | 22,700 * | | | | 125 |
| 130 | 47.8 | 303.4 | 19,900 * | 54.2 | 314.2 | 22,000 * | | | | 130 |
| 135 | 45.5 | 298.6 | 19,300 * | 52.1 | 310.4 | 21,300 * | | | | 135 |
| 140 | 43.1 | 293.4 | 18,800 * | 49.9 | 306.3 | 20,600 * | | | | 140 |
| 145 | 40.5 | 287.7 | 18,300 * | 47.7 | 301.8 | 20,100 * | | | | 145 |
| 150 | 37.8 | 281.4 | 17,900 * | 45.4 | 297.0 | 19,500 * | | | | 150 |
| 155 | 35.0 | 274.5 | 17,500 * | 42.9 | 291.8 | 19,000 * | | | | 155 |
| 160 | 31.9 | 266.7 | 17,100 * | 40.4 | 286.0 | 18,500 * | 57.2 | 309.9 | 17,900 | 160 |
| 165 | 28.5 | 257.9 | 16,800 * | 37.7 | 279.7 | 18,100 * | 55.2 | 306.4 | 17,100 | 165 |
| 170 | 24.7 | 247.7 | 16,300 * | 34.8 | 272.8 | 17,600 * | 53.1 | 302.7 | 16,400 | 170 |
| 175 | 20.1 | 235.2 | 15,600 * | 31.7 | 265.0 | 17,200 * | 51.0 | 298.8 | 15,700 | 175 |
| 180 | 14.3 | 218.5 | 15,100 * | 28.3 | 256.1 | 16,900 * | 48.7 | 294.5 | 15,000 | 180 |
| 185 | | | | 24.5 | 245.8 | 16,600 * | 46.5 | 289.8 | 14,400 | 185 |
| 190 | | | | 19.9 | 233.2 | 16,300 * | 44.1 | 284.8 | 13,800 | 190 |
| 195 | | | | 14.0 | 216.2 | 16,000 * | 41.6 | 279.2 | 13,200 | 195 |
| 200 | | | | | | | 39.0 | 273.2 | 12,700 | 200 |
| 205 | | | | | | | 36.2 | 266.6 | 12,200 | 205 |
| 210 | | | | | | | 33.2 | 259.2 | 11,700 | 210 |
| 220 | | | | | | | 26.3 | 241.3 | 10,800 | 220 |
| 230 | | | | | | | 17.0 | 215.4 | 9,900 | 230 |

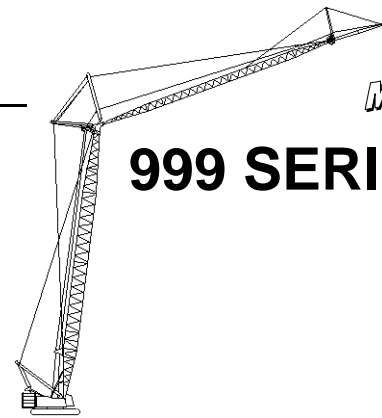


Liftcrane Fixed Jib Capacities

999 SERIES 2

Fixed Jib No. 138 At
3 Degree Offset Angle On
Luffing Jib No. 135 On
Boom No. 82 or 22EL
184,600 Lb. Crane Counterweight
44,000 Lb. Carbody Counterweight
360 Degree Rating

Designed And Tested
With The Intent To
Be In The Scope of
ANSI B30.5



170 Ft. Boom, 150 Ft. Luffing Jib, 30 Ft. Fixed Jib

| Fixed Jib Oper. Rad. Feet | 88 Degree Boom Angle | | | 83 Degree Boom Angle | | | 70 Degree Boom Angle | | | Fixed Jib Oper. Rad. Feet |
|---------------------------|-----------------------|----------------------------|---------------------------|-----------------------|----------------------------|---------------------------|-----------------------|----------------------------|---------------------------|---------------------------|
| | Luffing Jib Ang. Deg. | Fixed Jib Point Elev. Feet | Fixed Jib Capacity Pounds | Luffing Jib Ang. Deg. | Fixed Jib Point Elev. Feet | Fixed Jib Capacity Pounds | Luffing Jib Ang. Deg. | Fixed Jib Point Elev. Feet | Fixed Jib Capacity Pounds | |
| 60 | 75.8 | 352.9 | 26,800 * | | | | | | | 60 |
| 65 | 74.1 | 351.5 | 26,500 * | | | | | | | 65 |
| 70 | 72.5 | 349.9 | 26,300 * | | | | | | | 70 |
| 75 | 70.8 | 348.2 | 26,000 * | | | | | | | 75 |
| 80 | 69.1 | 346.4 | 25,800 * | | | | | | | 80 |
| 85 | 67.4 | 344.3 | 25,600 * | | | | | | | 85 |
| 90 | 65.7 | 342.1 | 25,400 * | 70.7 | 346.8 | 26,100 * | | | | 90 |
| 95 | 63.9 | 339.7 | 24,500 * | 69.0 | 344.9 | 25,900 * | | | | 95 |
| 100 | 62.1 | 337.1 | 23,700 * | 67.3 | 342.9 | 25,800 * | | | | 100 |
| 105 | 60.3 | 334.3 | 22,900 * | 65.6 | 340.6 | 25,600 * | | | | 105 |
| 110 | 58.5 | 331.2 | 22,100 * | 63.8 | 338.2 | 24,700 * | | | | 110 |
| 115 | 56.6 | 328.0 | 21,400 * | 62.0 | 335.6 | 23,800 * | | | | 115 |
| 120 | 54.6 | 324.5 | 20,800 * | 60.2 | 332.8 | 23,100 * | | | | 120 |
| 125 | 52.7 | 320.8 | 20,200 * | 58.4 | 329.7 | 22,300 * | | | | 125 |
| 130 | 50.6 | 316.7 | 19,600 * | 56.5 | 326.5 | 21,600 * | | | | 130 |
| 135 | 48.5 | 312.4 | 19,100 * | 54.6 | 323.0 | 21,000 * | | | | 135 |
| 140 | 46.4 | 307.7 | 18,600 * | 52.6 | 319.2 | 20,300 * | | | | 140 |
| 145 | 44.1 | 302.7 | 18,100 * | 50.5 | 315.2 | 19,800 * | | | | 145 |
| 150 | 41.8 | 297.2 | 17,700 * | 48.4 | 310.8 | 19,200 * | | | | 150 |
| 155 | 39.3 | 291.2 | 17,300 * | 46.3 | 306.1 | 18,700 * | | | | 155 |
| 160 | 36.7 | 284.7 | 16,900 * | 44.0 | 301.1 | 18,300 * | | | | 160 |
| 165 | 33.9 | 277.5 | 16,500 * | 41.7 | 295.6 | 17,800 * | 57.4 | 318.5 | 17,000 | 165 |
| 170 | 30.9 | 269.5 | 16,100 * | 39.2 | 289.6 | 17,400 * | 55.5 | 315.1 | 16,200 | 170 |
| 175 | 27.6 | 260.4 | 15,400 * | 36.6 | 283.0 | 17,000 * | 53.5 | 311.5 | 15,500 | 175 |
| 180 | 23.9 | 249.8 | 14,800 * | 33.8 | 275.8 | 16,700 * | 51.5 | 307.6 | 14,900 | 180 |
| 185 | 19.6 | 236.9 | 14,200 * | 30.8 | 267.7 | 16,300 * | 49.4 | 303.4 | 14,200 | 185 |
| 190 | 13.9 | 219.7 | 13,800 * | 27.5 | 258.6 | 16,000 * | 47.3 | 298.9 | 13,700 | 190 |
| 195 | | | | 23.8 | 247.9 | 15,700 * | 45.1 | 294.0 | 13,100 | 195 |
| 200 | | | | 19.3 | 234.9 | 15,500 * | 42.8 | 288.7 | 12,600 | 200 |
| 205 | | | | 13.6 | 217.3 | 15,300 * | 40.3 | 282.9 | 12,100 | 205 |
| 210 | | | | | | | 37.8 | 276.7 | 11,600 | 210 |
| 220 | | | | | | | 32.2 | 262.1 | 10,700 | 220 |
| 230 | | | | | | | 25.5 | 243.6 | 9,800 | 230 |
| 240 | | | | | | | 16.5 | 216.8 | 9,000 | 240 |

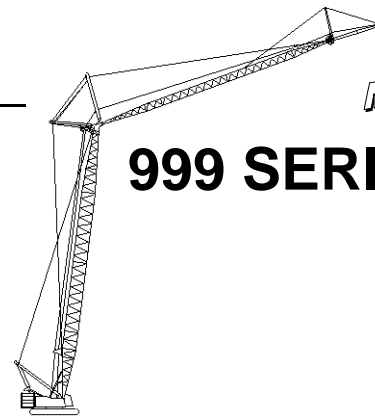


Liftcrane Fixed Jib Capacities

999 SERIES 2

Fixed Jib No. 138 At
 3 Degree Offset Angle On
 Luffing Jib No. 135 On
 Boom No. 82 or 22EL
 184,600 Lb. Crane Counterweight
 44,000 Lb. Carbody Counterweight
 360 Degree Rating

Designed And Tested
 With The Intent To
 Be In The Scope of
 ANSI B30.5



170 Ft. Boom, 160 Ft. Luffing Jib, 30 Ft. Fixed Jib

| Fixed Jib Oper. Rad. Feet | 88 Degree Boom Angle | | | 83 Degree Boom Angle | | | 70 Degree Boom Angle | | | Fixed Jib Oper. Rad. Feet |
|---------------------------|-----------------------|----------------------------|---------------------------|-----------------------|----------------------------|---------------------------|-----------------------|----------------------------|---------------------------|---------------------------|
| | Luffing Jib Ang. Deg. | Fixed Jib Point Elev. Feet | Fixed Jib Capacity Pounds | Luffing Jib Ang. Deg. | Fixed Jib Point Elev. Feet | Fixed Jib Capacity Pounds | Luffing Jib Ang. Deg. | Fixed Jib Point Elev. Feet | Fixed Jib Capacity Pounds | |
| 65 | 75.0 | 361.9 | 25,900 * | | | | | | | 65 |
| 70 | 73.4 | 360.4 | 25,700 * | | | | | | | 70 |
| 75 | 71.9 | 358.8 | 25,400 * | | | | | | | 75 |
| 80 | 70.3 | 357.1 | 25,200 * | | | | | | | 80 |
| 85 | 68.7 | 355.1 | 24,900 * | | | | | | | 85 |
| 90 | 67.0 | 353.0 | 24,700 * | | | | | | | 90 |
| 95 | 65.4 | 350.8 | 24,000 * | 70.2 | 355.6 | 24,100 * | | | | 95 |
| 100 | 63.7 | 348.4 | 23,200 * | 68.6 | 353.7 | 24,000 * | | | | 100 |
| 105 | 62.0 | 345.7 | 22,400 * | 67.0 | 351.6 | 23,800 * | | | | 105 |
| 110 | 60.3 | 342.9 | 21,700 * | 65.3 | 349.3 | 23,600 * | | | | 110 |
| 115 | 58.5 | 339.9 | 21,000 * | 63.6 | 346.9 | 23,300 * | | | | 115 |
| 120 | 56.8 | 336.7 | 20,400 * | 61.9 | 344.2 | 22,600 * | | | | 120 |
| 125 | 54.9 | 333.2 | 19,800 * | 60.2 | 341.4 | 21,900 * | | | | 125 |
| 130 | 53.1 | 329.5 | 19,300 * | 58.5 | 338.4 | 21,200 * | | | | 130 |
| 135 | 51.2 | 325.6 | 18,800 * | 56.7 | 335.2 | 20,600 * | | | | 135 |
| 140 | 49.2 | 321.3 | 18,300 * | 54.9 | 331.7 | 20,000 * | | | | 140 |
| 145 | 47.2 | 316.8 | 17,900 * | 53.0 | 328.0 | 19,500 * | | | | 145 |
| 150 | 45.1 | 311.9 | 17,500 * | 51.1 | 324.0 | 19,000 * | | | | 150 |
| 155 | 42.9 | 306.6 | 17,100 * | 49.1 | 319.8 | 18,500 * | | | | 155 |
| 160 | 40.6 | 300.9 | 16,700 * | 47.1 | 315.2 | 18,000 * | | | | 160 |
| 165 | 38.2 | 294.7 | 16,200 * | 45.0 | 310.3 | 17,600 * | | | | 165 |
| 170 | 35.7 | 287.9 | 15,600 * | 42.8 | 305.0 | 17,200 * | 57.5 | 327.2 | 15,800 | 170 |
| 175 | 33.0 | 280.5 | 15,000 * | 40.5 | 299.3 | 16,800 * | 55.7 | 323.8 | 15,100 | 175 |
| 180 | 30.1 | 272.2 | 14,500 * | 38.1 | 293.0 | 16,500 * | 53.9 | 320.3 | 14,500 | 180 |
| 185 | 26.9 | 262.8 | 13,900 * | 35.6 | 286.2 | 16,200 * | 52.0 | 316.4 | 13,900 | 185 |
| 190 | 23.3 | 251.8 | 13,400 * | 32.9 | 278.7 | 15,900 * | 50.0 | 312.3 | 13,300 | 190 |
| 195 | 19.0 | 238.6 | 13,000 * | 29.9 | 270.4 | 15,600 * | 48.0 | 307.9 | 12,700 | 195 |
| 200 | 13.5 | 220.8 | 12,600 * | 26.7 | 260.9 | 15,300 * | 45.9 | 303.1 | 12,200 | 200 |
| 205 | | | | 23.1 | 249.9 | 15,100 * | 43.8 | 298.0 | 11,700 | 205 |
| 210 | | | | 18.8 | 236.5 | 14,900 * | 41.6 | 292.5 | 11,200 | 210 |
| 220 | | | | | | | 36.8 | 280.0 | 10,300 | 220 |
| 230 | | | | | | | 31.3 | 264.9 | 9,500 | 230 |
| 240 | | | | | | | 24.8 | 245.7 | 8,700 | 240 |
| 250 | | | | | | | 16.0 | 218.2 | 8,000 | 250 |

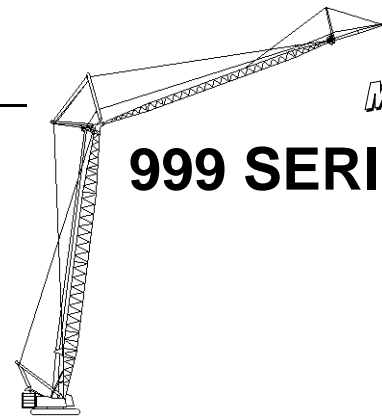


Liftcrane Fixed Jib Capacities

999 SERIES 2

Fixed Jib No. 138 At
 3 Degree Offset Angle On
 Luffing Jib No. 135 On
 Boom No. 82 or 22EL
 184,600 Lb. Crane Counterweight
 44,000 Lb. Carbody Counterweight
 360 Degree Rating

Designed And Tested
 With The Intent To
 Be In The Scope of
 ANSI B30.5



170 Ft. Boom, 170 Ft. Luffing Jib, 30 Ft. Fixed Jib

| Fixed Jib Oper. Rad. Feet | 88 Degree Boom Angle | | | 83 Degree Boom Angle | | | 70 Degree Boom Angle | | | Fixed Jib Oper. Rad. Feet |
|---------------------------|-----------------------|----------------------------|---------------------------|-----------------------|----------------------------|---------------------------|-----------------------|----------------------------|---------------------------|---------------------------|
| | Luffing Jib Ang. Deg. | Fixed Jib Point Elev. Feet | Fixed Jib Capacity Pounds | Luffing Jib Ang. Deg. | Fixed Jib Point Elev. Feet | Fixed Jib Capacity Pounds | Luffing Jib Ang. Deg. | Fixed Jib Point Elev. Feet | Fixed Jib Capacity Pounds | |
| 65 | 75.8 | 372.3 | 23,300 * | | | | | | | 65 |
| 70 | 74.3 | 370.9 | 23,300 * | | | | | | | 70 |
| 75 | 72.8 | 369.3 | 22,800 * | | | | | | | 75 |
| 80 | 71.3 | 367.7 | 22,500 * | | | | | | | 80 |
| 85 | 69.8 | 365.9 | 22,300 * | | | | | | | 85 |
| 90 | 68.2 | 363.9 | 22,000 * | | | | | | | 90 |
| 95 | 66.7 | 361.8 | 21,700 * | | | | | | | 95 |
| 100 | 65.1 | 359.5 | 21,500 * | 69.7 | 364.4 | 21,300 * | | | | 100 |
| 105 | 63.5 | 357.0 | 21,300 * | 68.2 | 362.4 | 21,100 * | | | | 105 |
| 110 | 61.9 | 354.4 | 21,000 * | 66.6 | 360.3 | 21,000 * | | | | 110 |
| 115 | 60.3 | 351.6 | 20,500 * | 65.0 | 358.0 | 20,800 * | | | | 115 |
| 120 | 58.6 | 348.6 | 20,000 * | 63.5 | 355.6 | 20,600 * | | | | 120 |
| 125 | 56.9 | 345.4 | 19,400 * | 61.8 | 352.9 | 20,400 * | | | | 125 |
| 130 | 55.2 | 341.9 | 18,900 * | 60.2 | 350.1 | 20,300 * | | | | 130 |
| 135 | 53.4 | 338.3 | 18,400 * | 58.5 | 347.1 | 20,100 * | | | | 135 |
| 140 | 51.6 | 334.4 | 18,000 * | 56.8 | 343.9 | 19,600 * | | | | 140 |
| 145 | 49.8 | 330.2 | 17,500 * | 55.1 | 340.4 | 19,100 * | | | | 145 |
| 150 | 47.9 | 325.8 | 17,100 * | 53.3 | 336.8 | 18,600 * | | | | 150 |
| 155 | 45.9 | 321.0 | 16,700 * | 51.5 | 332.8 | 18,100 * | | | | 155 |
| 160 | 43.9 | 315.9 | 16,100 * | 49.7 | 328.7 | 17,700 * | | | | 160 |
| 165 | 41.7 | 310.4 | 15,600 * | 47.8 | 324.2 | 17,300 * | | | | 165 |
| 170 | 39.5 | 304.5 | 15,100 * | 45.8 | 319.4 | 16,900 * | | | | 170 |
| 175 | 37.2 | 298.1 | 14,600 * | 43.8 | 314.3 | 16,500 * | 57.6 | 335.9 | 14,800 | 175 |
| 180 | 34.7 | 291.1 | 14,100 * | 41.6 | 308.8 | 16,200 * | 55.9 | 332.5 | 14,200 | 180 |
| 185 | 32.1 | 283.3 | 13,600 * | 39.4 | 302.8 | 15,900 * | 54.2 | 329.0 | 13,600 | 185 |
| 190 | 29.3 | 274.8 | 13,100 * | 37.1 | 296.4 | 15,600 * | 52.4 | 325.2 | 13,000 | 190 |
| 195 | 26.2 | 265.1 | 12,700 * | 34.6 | 289.4 | 15,300 * | 50.5 | 321.1 | 12,400 | 195 |
| 200 | 22.7 | 253.8 | 12,200 * | 32.0 | 281.6 | 15,100 * | 48.7 | 316.8 | 11,900 | 200 |
| 205 | 18.5 | 240.2 | 11,800 * | 29.2 | 273.0 | 14,800 * | 46.7 | 312.2 | 11,400 | 205 |
| 210 | 13.1 | 222.0 | 11,500 * | 26.0 | 263.2 | 14,600 * | 44.7 | 307.2 | 10,900 | 210 |
| 220 | | | | 18.3 | 238.1 | 14,200 * | 40.5 | 296.2 | 10,000 | 220 |
| 230 | | | | | | | 35.8 | 283.2 | 9,200 | 230 |
| 240 | | | | | | | 30.5 | 267.6 | 8,500 | 240 |
| 250 | | | | | | | 24.2 | 247.9 | 7,800 | 250 |
| 260 | | | | | | | 15.6 | 219.5 | 7,100 | 260 |

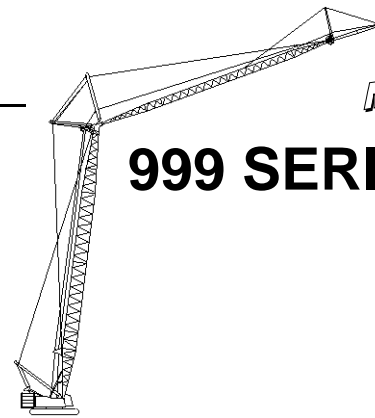


Liftcrane Fixed Jib Capacities

999 SERIES 2

Fixed Jib No. 138 At
 3 Degree Offset Angle On
 Luffing Jib No. 135 On
 Boom No. 82 or 22EL
 184,600 Lb. Crane Counterweight
 44,000 Lb. Carbody Counterweight
 360 Degree Rating

Designed And Tested
 With The Intent To
 Be In The Scope of
 ANSI B30.5



170 Ft. Boom, 140 Ft. Luffing Jib, 40 Ft. Fixed Jib

| Fixed Jib Oper. Rad. Feet | 88 Degree Boom Angle | | | 83 Degree Boom Angle | | | 70 Degree Boom Angle | | | Fixed Jib Oper. Rad. Feet |
|---------------------------|-----------------------|----------------------------|---------------------------|-----------------------|----------------------------|---------------------------|-----------------------|----------------------------|---------------------------|---------------------------|
| | Luffing Jib Ang. Deg. | Fixed Jib Point Elev. Feet | Fixed Jib Capacity Pounds | Luffing Jib Ang. Deg. | Fixed Jib Point Elev. Feet | Fixed Jib Capacity Pounds | Luffing Jib Ang. Deg. | Fixed Jib Point Elev. Feet | Fixed Jib Capacity Pounds | |
| 65 | 74.6 | 351.4 | 22,600 * | | | | | | | 65 |
| 70 | 72.9 | 349.9 | 22,400 * | | | | | | | 70 |
| 75 | 71.2 | 348.2 | 22,100 * | | | | | | | 75 |
| 80 | 69.5 | 346.3 | 21,800 * | | | | | | | 80 |
| 85 | 67.8 | 344.3 | 21,600 * | | | | | | | 85 |
| 90 | 66.1 | 342.0 | 21,400 * | | | | | | | 90 |
| 95 | 64.3 | 339.6 | 21,100 * | 69.5 | 344.9 | 22,000 * | | | | 95 |
| 100 | 62.5 | 337.0 | 20,400 * | 67.7 | 342.8 | 21,800 * | | | | 100 |
| 105 | 60.7 | 334.2 | 19,600 * | 66.0 | 340.6 | 21,600 * | | | | 105 |
| 110 | 58.9 | 331.2 | 19,000 * | 64.2 | 338.1 | 21,300 * | | | | 110 |
| 115 | 57.0 | 327.9 | 18,300 * | 62.5 | 335.5 | 20,500 * | | | | 115 |
| 120 | 55.1 | 324.4 | 17,700 * | 60.6 | 332.7 | 19,800 * | | | | 120 |
| 125 | 53.1 | 320.7 | 17,200 * | 58.8 | 329.7 | 19,100 * | | | | 125 |
| 130 | 51.0 | 316.7 | 16,700 * | 56.9 | 326.4 | 18,500 * | | | | 130 |
| 135 | 48.9 | 312.3 | 16,200 * | 55.0 | 322.9 | 17,900 * | | | | 135 |
| 140 | 46.8 | 307.6 | 15,700 * | 53.0 | 319.2 | 17,300 * | | | | 140 |
| 145 | 44.5 | 302.6 | 15,300 * | 50.9 | 315.1 | 16,800 * | | | | 145 |
| 150 | 42.2 | 297.1 | 14,900 * | 48.8 | 310.8 | 16,300 * | | | | 150 |
| 155 | 39.7 | 291.2 | 14,600 * | 46.7 | 306.1 | 15,900 * | | | | 155 |
| 160 | 37.1 | 284.6 | 14,200 * | 44.4 | 301.0 | 15,400 * | | | | 160 |
| 165 | 34.3 | 277.4 | 13,900 * | 42.1 | 295.5 | 15,000 * | 57.8 | 318.5 | 17,200 | 165 |
| 170 | 31.3 | 269.4 | 13,600 * | 39.6 | 289.5 | 14,700 * | 55.9 | 315.1 | 16,500 | 170 |
| 175 | 28.0 | 260.3 | 13,300 * | 37.0 | 283.0 | 14,300 * | 53.9 | 311.4 | 15,800 | 175 |
| 180 | 24.3 | 249.7 | 13,100 * | 34.2 | 275.7 | 14,000 * | 51.9 | 307.5 | 15,100 | 180 |
| 185 | 19.9 | 236.8 | 12,900 * | 31.2 | 267.6 | 13,700 * | 49.8 | 303.3 | 14,500 | 185 |
| 190 | 14.2 | 219.5 | 12,700 * | 27.9 | 258.5 | 13,400 * | 47.7 | 298.8 | 13,900 | 190 |
| 195 | | | | 24.1 | 247.8 | 13,200 * | 45.5 | 293.9 | 13,300 | 195 |
| 200 | | | | 19.7 | 234.7 | 13,000 * | 43.2 | 288.6 | 12,800 | 200 |
| 205 | | | | 13.9 | 217.1 | 12,800 * | 40.8 | 282.9 | 12,300 | 205 |
| 210 | | | | | | | 38.2 | 276.6 | 11,800 | 210 |
| 220 | | | | | | | 32.6 | 262.0 | 10,900 | 220 |
| 230 | | | | | | | 25.9 | 243.4 | 10,100 | 230 |
| 240 | | | | | | | 16.8 | 216.6 | 9,300 | 240 |

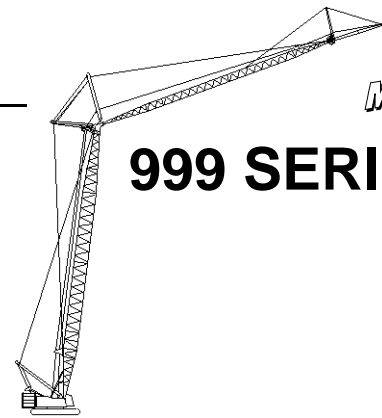


Liftcrane Fixed Jib Capacities

999 SERIES 2

Fixed Jib No. 138 At
3 Degree Offset Angle On
Luffing Jib No. 135 On
Boom No. 82 or 22EL
184,600 Lb. Crane Counterweight
44,000 Lb. Carbody Counterweight
360 Degree Rating

Designed And Tested
With The Intent To
Be In The Scope of
ANSI B30.5



170 Ft. Boom, 150 Ft. Luffing Jib, 40 Ft. Fixed Jib

| Fixed Jib Oper. Rad. Feet | 88 Degree Boom Angle | | | 83 Degree Boom Angle | | | 70 Degree Boom Angle | | | Fixed Jib Oper. Rad. Feet |
|---------------------------|-----------------------|----------------------------|---------------------------|-----------------------|----------------------------|---------------------------|-----------------------|----------------------------|---------------------------|---------------------------|
| | Luffing Jib Ang. Deg. | Fixed Jib Point Elev. Feet | Fixed Jib Capacity Pounds | Luffing Jib Ang. Deg. | Fixed Jib Point Elev. Feet | Fixed Jib Capacity Pounds | Luffing Jib Ang. Deg. | Fixed Jib Point Elev. Feet | Fixed Jib Capacity Pounds | |
| 65 | 75.4 | 361.8 | 22,200 * | | | | | | | 65 |
| 70 | 73.8 | 360.4 | 22,000 * | | | | | | | 70 |
| 75 | 72.2 | 358.8 | 21,700 * | | | | | | | 75 |
| 80 | 70.7 | 357.0 | 21,500 * | | | | | | | 80 |
| 85 | 69.0 | 355.1 | 21,300 * | | | | | | | 85 |
| 90 | 67.4 | 353.0 | 21,100 * | | | | | | | 90 |
| 95 | 65.8 | 350.7 | 20,700 * | 70.6 | 355.6 | 21,600 * | | | | 95 |
| 100 | 64.1 | 348.3 | 20,000 * | 69.0 | 353.6 | 21,400 * | | | | 100 |
| 105 | 62.4 | 345.7 | 19,300 * | 67.3 | 351.5 | 21,200 * | | | | 105 |
| 110 | 60.7 | 342.9 | 18,600 * | 65.7 | 349.3 | 20,900 * | | | | 110 |
| 115 | 58.9 | 339.9 | 18,000 * | 64.0 | 346.8 | 20,100 * | | | | 115 |
| 120 | 57.1 | 336.6 | 17,400 * | 62.3 | 344.2 | 19,400 * | | | | 120 |
| 125 | 55.3 | 333.2 | 16,900 * | 60.6 | 341.4 | 18,800 * | | | | 125 |
| 130 | 53.5 | 329.5 | 16,400 * | 58.9 | 338.3 | 18,200 * | | | | 130 |
| 135 | 51.5 | 325.5 | 15,900 * | 57.1 | 335.1 | 17,600 * | | | | 135 |
| 140 | 49.6 | 321.3 | 15,500 * | 55.2 | 331.6 | 17,100 * | | | | 140 |
| 145 | 47.5 | 316.7 | 15,100 * | 53.4 | 327.9 | 16,600 * | | | | 145 |
| 150 | 45.4 | 311.8 | 14,700 * | 51.5 | 324.0 | 16,100 * | | | | 150 |
| 155 | 43.3 | 306.5 | 14,400 * | 49.5 | 319.7 | 15,600 * | | | | 155 |
| 160 | 41.0 | 300.8 | 14,000 * | 47.4 | 315.1 | 15,200 * | | | | 160 |
| 165 | 38.6 | 294.6 | 13,700 * | 45.3 | 310.2 | 14,800 * | | | | 165 |
| 170 | 36.1 | 287.8 | 13,400 * | 43.2 | 304.9 | 14,500 * | 57.9 | 327.1 | 16,300 | 170 |
| 175 | 33.4 | 280.4 | 13,100 * | 40.9 | 299.2 | 14,100 * | 56.1 | 323.8 | 15,600 | 175 |
| 180 | 30.5 | 272.1 | 12,900 * | 38.5 | 293.0 | 13,800 * | 54.2 | 320.2 | 15,000 | 180 |
| 185 | 27.3 | 262.6 | 12,600 * | 35.9 | 286.2 | 13,500 * | 52.3 | 316.3 | 14,300 | 185 |
| 190 | 23.6 | 251.7 | 12,400 * | 33.2 | 278.7 | 13,200 * | 50.4 | 312.2 | 13,700 | 190 |
| 195 | 19.4 | 238.4 | 12,200 * | 30.3 | 270.3 | 13,000 * | 48.4 | 307.8 | 13,200 | 195 |
| 200 | 13.8 | 220.6 | 12,100 * | 27.1 | 260.8 | 12,700 * | 46.3 | 303.0 | 12,700 | 200 |
| 205 | | | | 23.5 | 249.8 | 12,500 * | 44.2 | 297.9 | 12,200 | 205 |
| 210 | | | | 19.2 | 236.3 | 12,300 * | 41.9 | 292.4 | 11,700 | 210 |
| 220 | | | | | | | 37.1 | 279.9 | 10,800 | 220 |
| 230 | | | | | | | 31.7 | 264.8 | 10,000 | 230 |
| 240 | | | | | | | 25.2 | 245.6 | 9,200 | 240 |
| 250 | | | | | | | 16.4 | 218.0 | 8,500 | 250 |

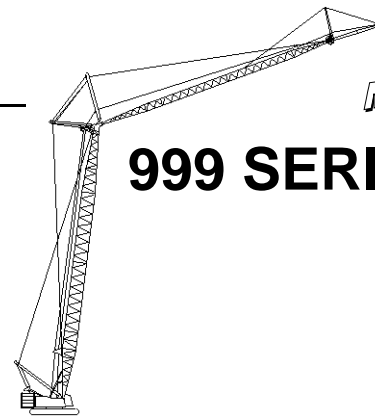


Liftcrane Fixed Jib Capacities

999 SERIES 2

Fixed Jib No. 138 At
 3 Degree Offset Angle On
 Luffing Jib No. 135 On
 Boom No. 82 or 22EL
 184,600 Lb. Crane Counterweight
 44,000 Lb. Carbody Counterweight
 360 Degree Rating

Designed And Tested
 With The Intent To
 Be In The Scope of
 ANSI B30.5



170 Ft. Boom, 160 Ft. Luffing Jib, 40 Ft. Fixed Jib

| Fixed Jib Oper. Rad. Feet | 88 Degree Boom Angle | | | 83 Degree Boom Angle | | | 70 Degree Boom Angle | | | Fixed Jib Oper. Rad. Feet |
|---------------------------|-----------------------|----------------------------|---------------------------|-----------------------|----------------------------|---------------------------|-----------------------|----------------------------|---------------------------|---------------------------|
| | Luffing Jib Ang. Deg. | Fixed Jib Point Elev. Feet | Fixed Jib Capacity Pounds | Luffing Jib Ang. Deg. | Fixed Jib Point Elev. Feet | Fixed Jib Capacity Pounds | Luffing Jib Ang. Deg. | Fixed Jib Point Elev. Feet | Fixed Jib Capacity Pounds | |
| 70 | 74.7 | 370.8 | 21,500 * | | | | | | | 70 |
| 75 | 73.2 | 369.3 | 21,300 * | | | | | | | 75 |
| 80 | 71.7 | 367.6 | 21,100 * | | | | | | | 80 |
| 85 | 70.1 | 365.8 | 20,800 * | | | | | | | 85 |
| 90 | 68.6 | 363.8 | 20,600 * | | | | | | | 90 |
| 95 | 67.1 | 361.7 | 20,300 * | | | | | | | 95 |
| 100 | 65.5 | 359.4 | 19,600 * | 70.1 | 364.4 | 20,900 * | | | | 100 |
| 105 | 63.9 | 357.0 | 18,900 * | 68.5 | 362.4 | 20,700 * | | | | 105 |
| 110 | 62.3 | 354.3 | 18,300 * | 67.0 | 360.3 | 20,400 * | | | | 110 |
| 115 | 60.7 | 351.5 | 17,700 * | 65.4 | 358.0 | 19,700 * | | | | 115 |
| 120 | 59.0 | 348.5 | 17,200 * | 63.8 | 355.5 | 19,000 * | | | | 120 |
| 125 | 57.3 | 345.3 | 16,600 * | 62.2 | 352.9 | 18,400 * | | | | 125 |
| 130 | 55.6 | 341.9 | 16,200 * | 60.6 | 350.0 | 17,800 * | | | | 130 |
| 135 | 53.8 | 338.2 | 15,700 * | 58.9 | 347.0 | 17,300 * | | | | 135 |
| 140 | 52.0 | 334.3 | 15,300 * | 57.2 | 343.8 | 16,800 * | | | | 140 |
| 145 | 50.1 | 330.2 | 14,900 * | 55.5 | 340.4 | 16,300 * | | | | 145 |
| 150 | 48.2 | 325.7 | 14,500 * | 53.7 | 336.7 | 15,800 * | | | | 150 |
| 155 | 46.3 | 320.9 | 14,200 * | 51.9 | 332.8 | 15,400 * | | | | 155 |
| 160 | 44.2 | 315.8 | 13,900 * | 50.0 | 328.6 | 15,000 * | | | | 160 |
| 165 | 42.1 | 310.3 | 13,500 * | 48.1 | 324.1 | 14,600 * | | | | 165 |
| 170 | 39.9 | 304.4 | 13,300 * | 46.2 | 319.4 | 14,300 * | | | | 170 |
| 175 | 37.6 | 298.0 | 13,000 * | 44.1 | 314.2 | 14,000 * | 58.0 | 335.8 | 15,200 | 175 |
| 180 | 35.1 | 291.0 | 12,700 * | 42.0 | 308.7 | 13,600 * | 56.3 | 332.5 | 14,600 | 180 |
| 185 | 32.5 | 283.2 | 12,500 * | 39.8 | 302.8 | 13,400 * | 54.5 | 328.9 | 13,900 | 185 |
| 190 | 29.7 | 274.7 | 12,300 * | 37.5 | 296.3 | 13,100 * | 52.7 | 325.1 | 13,400 | 190 |
| 195 | 26.5 | 264.9 | 12,100 * | 35.0 | 289.3 | 12,800 * | 50.9 | 321.1 | 12,800 | 195 |
| 200 | 23.0 | 253.7 | 11,900 * | 32.4 | 281.5 | 12,600 * | 49.0 | 316.8 | 12,300 | 200 |
| 205 | 18.9 | 240.0 | 11,500 * | 29.5 | 272.9 | 12,400 * | 47.1 | 312.1 | 11,800 | 205 |
| 210 | 13.5 | 221.7 | 11,100 * | 26.4 | 263.1 | 12,200 * | 45.1 | 307.2 | 11,300 | 210 |
| 220 | | | | 18.6 | 237.9 | 11,800 * | 40.8 | 296.1 | 10,400 | 220 |
| 230 | | | | | | | 36.1 | 283.1 | 9,600 | 230 |
| 240 | | | | | | | 30.9 | 267.5 | 8,800 | 240 |
| 250 | | | | | | | 24.5 | 247.7 | 8,100 | 250 |
| 260 | | | | | | | 15.9 | 219.3 | 7,500 | 260 |

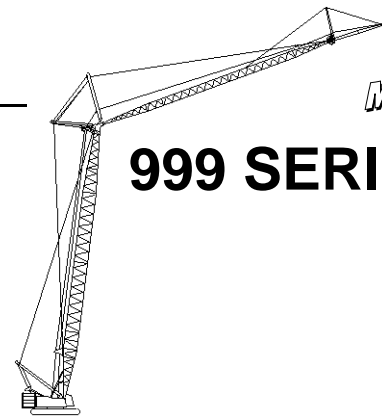


Liftcrane Fixed Jib Capacities

999 SERIES 2

Fixed Jib No. 138 At
3 Degree Offset Angle On
Luffing Jib No. 135 On
Boom No. 82 or 22EL
184,600 Lb. Crane Counterweight
44,000 Lb. Carbody Counterweight
360 Degree Rating

Designed And Tested
With The Intent To
Be In The Scope of
ANSI B30.5



170 Ft. Boom, 170 Ft. Luffing Jib, 40 Ft. Fixed Jib

| Fixed Jib Oper. Rad. Feet | 88 Degree Boom Angle | | | 83 Degree Boom Angle | | | 70 Degree Boom Angle | | | Fixed Jib Oper. Rad. Feet |
|---------------------------|-----------------------|----------------------------|---------------------------|-----------------------|----------------------------|---------------------------|-----------------------|----------------------------|---------------------------|---------------------------|
| | Luffing Jib Ang. Deg. | Fixed Jib Point Elev. Feet | Fixed Jib Capacity Pounds | Luffing Jib Ang. Deg. | Fixed Jib Point Elev. Feet | Fixed Jib Capacity Pounds | Luffing Jib Ang. Deg. | Fixed Jib Point Elev. Feet | Fixed Jib Capacity Pounds | |
| 70 | 75.4 | 381.2 | 20,500 * | | | | | | | 70 |
| 75 | 74.0 | 379.8 | 20,200 * | | | | | | | 75 |
| 80 | 72.6 | 378.2 | 20,000 * | | | | | | | 80 |
| 85 | 71.1 | 376.5 | 19,700 * | | | | | | | 85 |
| 90 | 69.7 | 374.6 | 19,500 * | | | | | | | 90 |
| 95 | 68.2 | 372.6 | 19,200 * | | | | | | | 95 |
| 100 | 66.7 | 370.4 | 19,000 * | | | | | | | 100 |
| 105 | 65.2 | 368.1 | 18,500 * | 69.6 | 373.2 | 18,700 * | | | | 105 |
| 110 | 63.7 | 365.6 | 17,900 * | 68.1 | 371.1 | 18,700 * | | | | 110 |
| 115 | 62.2 | 363.0 | 17,300 * | 66.7 | 369.0 | 18,400 * | | | | 115 |
| 120 | 60.6 | 360.2 | 16,800 * | 65.2 | 366.7 | 18,300 * | | | | 120 |
| 125 | 59.0 | 357.2 | 16,300 * | 63.6 | 364.2 | 18,000 * | | | | 125 |
| 130 | 57.4 | 354.0 | 15,800 * | 62.1 | 361.5 | 17,400 * | | | | 130 |
| 135 | 55.8 | 350.6 | 15,400 * | 60.5 | 358.7 | 16,900 * | | | | 135 |
| 140 | 54.1 | 347.0 | 15,000 * | 59.0 | 355.7 | 16,400 * | | | | 140 |
| 145 | 52.4 | 343.1 | 14,600 * | 57.4 | 352.5 | 16,000 * | | | | 145 |
| 150 | 50.6 | 339.0 | 14,300 * | 55.7 | 349.1 | 15,500 * | | | | 150 |
| 155 | 48.8 | 334.7 | 13,900 * | 54.0 | 345.4 | 15,100 * | | | | 155 |
| 160 | 47.0 | 330.0 | 13,600 * | 52.3 | 341.6 | 14,700 * | | | | 160 |
| 165 | 45.1 | 325.1 | 13,300 * | 50.6 | 337.5 | 14,400 * | | | | 165 |
| 170 | 43.1 | 319.8 | 13,000 * | 48.8 | 333.1 | 14,000 * | | | | 170 |
| 175 | 41.0 | 314.0 | 12,800 * | 46.9 | 328.4 | 13,700 * | | | | 175 |
| 180 | 38.9 | 307.9 | 12,500 * | 45.0 | 323.5 | 13,400 * | | | | 180 |
| 185 | 36.6 | 301.3 | 12,300 * | 43.0 | 318.1 | 13,100 * | 56.5 | 341.2 | 13,600 | 185 |
| 190 | 34.2 | 294.0 | 12,100 * | 40.9 | 312.4 | 12,800 * | 54.8 | 337.7 | 13,100 | 190 |
| 195 | 31.7 | 286.0 | 11,800 * | 38.8 | 306.2 | 12,600 * | 53.1 | 333.9 | 12,500 | 195 |
| 200 | 28.9 | 277.2 | 11,600 * | 36.5 | 299.6 | 12,400 * | 51.4 | 329.9 | 12,000 | 200 |
| 205 | 25.9 | 267.2 | 11,200 * | 34.1 | 292.3 | 12,100 * | 49.6 | 325.7 | 11,500 | 205 |
| 210 | 22.4 | 255.6 | 10,900 * | 31.5 | 284.3 | 11,900 * | 47.8 | 321.2 | 11,000 | 210 |
| 220 | 13.1 | 222.8 | 10,300 * | 25.7 | 265.3 | 11,600 * | 43.9 | 311.2 | 10,100 | 220 |
| 230 | | | | 18.2 | 239.5 | 11,200 * | 39.8 | 299.7 | 9,300 | 230 |
| 240 | | | | | | | 35.2 | 286.3 | 8,600 | 240 |
| 250 | | | | | | | 30.1 | 270.1 | 7,900 | 250 |
| 260 | | | | | | | 23.9 | 249.8 | 7,200 | 260 |
| 270 | | | | | | | 15.5 | 220.6 | 6,600 | 270 |

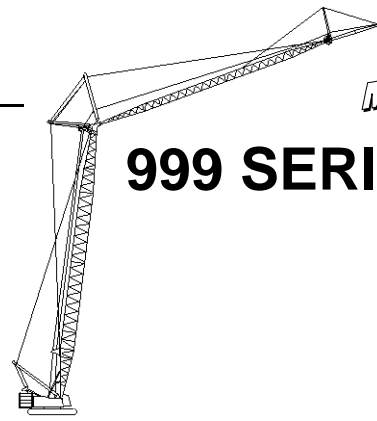


Liftcrane Fixed Jib Capacities

999 SERIES 2

Fixed Jib No. 138 At
3 Degree Offset Angle On
Luffing Jib No. 135 On
Boom No. 82 or 22EL
184,600 Lb. Crane Counterweight
44,000 Lb. Carbody Counterweight
360 Degree Rating

Designed And Tested
With The Intent To
Be In The Scope of
ANSI B30.5



170 Ft. Boom, 140 Ft. Luffing Jib, 50 Ft. Fixed Jib

| Fixed Jib Oper. Rad. Feet | 88 Degree Boom Angle | | | 83 Degree Boom Angle | | | 70 Degree Boom Angle | | | Fixed Jib Oper. Rad. Feet |
|---------------------------|-----------------------|----------------------------|---------------------------|-----------------------|----------------------------|---------------------------|-----------------------|----------------------------|---------------------------|---------------------------|
| | Luffing Jib Ang. Deg. | Fixed Jib Point Elev. Feet | Fixed Jib Capacity Pounds | Luffing Jib Ang. Deg. | Fixed Jib Point Elev. Feet | Fixed Jib Capacity Pounds | Luffing Jib Ang. Deg. | Fixed Jib Point Elev. Feet | Fixed Jib Capacity Pounds | |
| 65 | 75.5 | 361.8 | 19,400 * | | | | | | | 65 |
| 70 | 73.9 | 360.4 | 19,100 * | | | | | | | 70 |
| 75 | 72.3 | 358.8 | 18,900 * | | | | | | | 75 |
| 80 | 70.7 | 357.0 | 18,600 * | | | | | | | 80 |
| 85 | 69.1 | 355.1 | 18,400 * | | | | | | | 85 |
| 90 | 67.5 | 353.0 | 18,200 * | | | | | | | 90 |
| 95 | 65.9 | 350.7 | 17,900 * | 70.7 | 355.6 | 18,700 * | | | | 95 |
| 100 | 64.2 | 348.3 | 17,700 * | 69.1 | 353.6 | 18,500 * | | | | 100 |
| 105 | 62.5 | 345.7 | 17,300 * | 67.4 | 351.5 | 18,300 * | | | | 105 |
| 110 | 60.8 | 342.9 | 16,700 * | 65.8 | 349.3 | 18,100 * | | | | 110 |
| 115 | 59.0 | 339.9 | 16,100 * | 64.1 | 346.8 | 17,900 * | | | | 115 |
| 120 | 57.2 | 336.6 | 15,600 * | 62.4 | 344.2 | 17,500 * | | | | 120 |
| 125 | 55.4 | 333.2 | 15,100 * | 60.7 | 341.4 | 16,800 * | | | | 125 |
| 130 | 53.6 | 329.5 | 14,600 * | 58.9 | 338.4 | 16,300 * | | | | 130 |
| 135 | 51.6 | 325.5 | 14,200 * | 57.2 | 335.1 | 15,700 * | | | | 135 |
| 140 | 49.7 | 321.3 | 13,800 * | 55.3 | 331.6 | 15,200 * | | | | 140 |
| 145 | 47.6 | 316.7 | 13,400 * | 53.5 | 327.9 | 14,700 * | | | | 145 |
| 150 | 45.5 | 311.8 | 13,000 * | 51.5 | 324.0 | 14,300 * | | | | 150 |
| 155 | 43.4 | 306.5 | 12,700 * | 49.6 | 319.7 | 13,800 * | | | | 155 |
| 160 | 41.1 | 300.8 | 12,300 * | 47.5 | 315.1 | 13,500 * | | | | 160 |
| 165 | 38.7 | 294.6 | 12,000 * | 45.4 | 310.2 | 13,100 * | | | | 165 |
| 170 | 36.2 | 287.9 | 11,800 * | 43.3 | 304.9 | 12,800 * | 58.0 | 327.2 | 16,000 * | 170 |
| 175 | 33.5 | 280.4 | 11,500 * | 41.0 | 299.2 | 12,400 * | 56.2 | 323.8 | 15,500 * | 175 |
| 180 | 30.6 | 272.1 | 11,300 * | 38.6 | 293.0 | 12,100 * | 54.3 | 320.2 | 15,000 * | 180 |
| 185 | 27.4 | 262.7 | 11,000 * | 36.0 | 286.2 | 11,800 * | 52.4 | 316.3 | 14,500 * | 185 |
| 190 | 23.7 | 251.7 | 10,800 * | 33.3 | 278.7 | 11,600 * | 50.5 | 312.2 | 13,900 * | 190 |
| 195 | 19.5 | 238.4 | 10,600 * | 30.4 | 270.3 | 11,300 * | 48.5 | 307.8 | 13,400 * | 195 |
| 200 | 13.9 | 220.7 | 10,500 * | 27.2 | 260.8 | 11,100 * | 46.4 | 303.0 | 12,900 * | 200 |
| 205 | | | | 23.6 | 249.8 | 10,900 * | 44.3 | 297.9 | 12,400 * | 205 |
| 210 | | | | 19.3 | 236.4 | 10,700 * | 42.0 | 292.4 | 11,900 * | 210 |
| 220 | | | | | | | 37.2 | 279.9 | 11,000 * | 220 |
| 230 | | | | | | | 31.8 | 264.8 | 10,200 * | 230 |
| 240 | | | | | | | 25.3 | 245.6 | 9,400 * | 240 |
| 250 | | | | | | | 16.5 | 218.0 | 8,700 * | 250 |

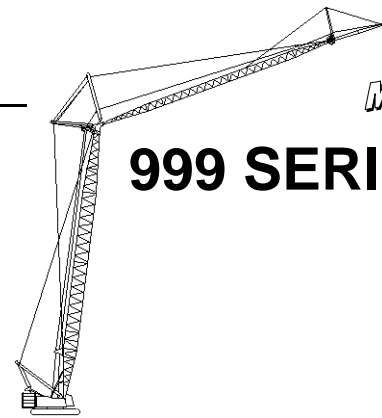


Liftcrane Fixed Jib Capacities

999 SERIES 2

Fixed Jib No. 138 At
3 Degree Offset Angle On
Luffing Jib No. 135 On
Boom No. 82 or 22EL
184,600 Lb. Crane Counterweight
44,000 Lb. Carbody Counterweight
360 Degree Rating

Designed And Tested
With The Intent To
Be In The Scope of
ANSI B30.5



170 Ft. Boom, 150 Ft. Luffing Jib, 50 Ft. Fixed Jib

| Fixed Jib Oper. Rad. Feet | 88 Degree Boom Angle | | | 83 Degree Boom Angle | | | 70 Degree Boom Angle | | | Fixed Jib Oper. Rad. Feet |
|---------------------------|-----------------------|----------------------------|---------------------------|-----------------------|----------------------------|---------------------------|-----------------------|----------------------------|---------------------------|---------------------------|
| | Luffing Jib Ang. Deg. | Fixed Jib Point Elev. Feet | Fixed Jib Capacity Pounds | Luffing Jib Ang. Deg. | Fixed Jib Point Elev. Feet | Fixed Jib Capacity Pounds | Luffing Jib Ang. Deg. | Fixed Jib Point Elev. Feet | Fixed Jib Capacity Pounds | |
| 70 | 74.7 | 370.8 | 18,800 * | | | | | | | 70 |
| 75 | 73.3 | 369.3 | 18,600 * | | | | | | | 75 |
| 80 | 71.7 | 367.6 | 18,400 * | | | | | | | 80 |
| 85 | 70.2 | 365.8 | 18,100 * | | | | | | | 85 |
| 90 | 68.7 | 363.8 | 17,900 * | | | | | | | 90 |
| 95 | 67.1 | 361.7 | 17,700 * | | | | | | | 95 |
| 100 | 65.6 | 359.4 | 17,500 * | 70.2 | 364.4 | 18,200 * | | | | 100 |
| 105 | 64.0 | 357.0 | 17,000 * | 68.6 | 362.4 | 18,000 * | | | | 105 |
| 110 | 62.4 | 354.3 | 16,400 * | 67.1 | 360.3 | 17,900 * | | | | 110 |
| 115 | 60.7 | 351.5 | 15,900 * | 65.5 | 358.0 | 17,700 * | | | | 115 |
| 120 | 59.1 | 348.5 | 15,300 * | 63.9 | 355.5 | 17,100 * | | | | 120 |
| 125 | 57.4 | 345.3 | 14,800 * | 62.3 | 352.9 | 16,500 * | | | | 125 |
| 130 | 55.7 | 341.9 | 14,400 * | 60.7 | 350.0 | 16,000 * | | | | 130 |
| 135 | 53.9 | 338.2 | 13,900 * | 59.0 | 347.0 | 15,500 * | | | | 135 |
| 140 | 52.1 | 334.3 | 13,600 * | 57.3 | 343.8 | 15,000 * | | | | 140 |
| 145 | 50.2 | 330.2 | 13,200 * | 55.6 | 340.4 | 14,500 * | | | | 145 |
| 150 | 48.3 | 325.7 | 12,800 * | 53.8 | 336.7 | 14,100 * | | | | 150 |
| 155 | 46.3 | 321.0 | 12,500 * | 52.0 | 332.8 | 13,600 * | | | | 155 |
| 160 | 44.3 | 315.8 | 12,200 * | 50.1 | 328.6 | 13,300 * | | | | 160 |
| 165 | 42.2 | 310.4 | 11,900 * | 48.2 | 324.1 | 12,900 * | | | | 165 |
| 170 | 40.0 | 304.4 | 11,600 * | 46.3 | 319.4 | 12,600 * | | | | 170 |
| 175 | 37.7 | 298.0 | 11,300 * | 44.2 | 314.2 | 12,300 * | | | | 175 |
| 180 | 35.2 | 291.0 | 11,100 * | 42.1 | 308.7 | 12,000 * | 56.4 | 332.5 | 14,700 * | 180 |
| 185 | 32.6 | 283.3 | 10,900 * | 39.9 | 302.8 | 11,700 * | 54.6 | 328.9 | 14,300 * | 185 |
| 190 | 29.7 | 274.7 | 10,600 * | 37.5 | 296.3 | 11,400 * | 52.8 | 325.1 | 13,800 * | 190 |
| 195 | 26.6 | 265.0 | 10,400 * | 35.1 | 289.3 | 11,200 * | 51.0 | 321.1 | 13,200 | 195 |
| 200 | 23.1 | 253.7 | 10,300 * | 32.5 | 281.5 | 10,900 * | 49.1 | 316.8 | 12,700 | 200 |
| 205 | 19.0 | 240.0 | 10,100 * | 29.6 | 272.9 | 10,700 * | 47.2 | 312.1 | 12,200 | 205 |
| 210 | 13.6 | 221.8 | 10,000 * | 26.5 | 263.1 | 10,500 * | 45.2 | 307.2 | 11,700 | 210 |
| 220 | | | | 18.7 | 238.0 | 10,200 * | 40.9 | 296.1 | 10,800 | 220 |
| 230 | | | | | | | 36.2 | 283.1 | 10,000 | 230 |
| 240 | | | | | | | 30.9 | 267.5 | 9,300 | 240 |
| 250 | | | | | | | 24.6 | 247.8 | 8,600 | 250 |
| 260 | | | | | | | 16.0 | 219.3 | 7,900 | 260 |

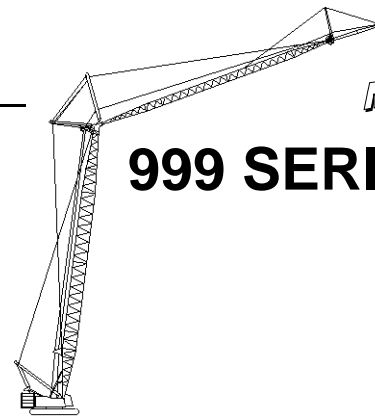


Liftcrane Fixed Jib Capacities

999 SERIES 2

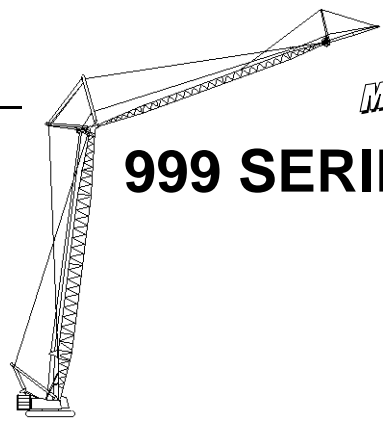
Fixed Jib No. 138 At
3 Degree Offset Angle On
Luffing Jib No. 135 On
Boom No. 82 or 22EL
184,600 Lb. Crane Counterweight
44,000 Lb. Carbody Counterweight
360 Degree Rating

Designed And Tested
With The Intent To
Be In The Scope of
ANSI B30.5



170 Ft. Boom, 160 Ft. Luffing Jib, 50 Ft. Fixed Jib

| Fixed Jib Oper. Rad. Feet | 88 Degree Boom Angle | | | 83 Degree Boom Angle | | | 70 Degree Boom Angle | | | Fixed Jib Oper. Rad. Feet |
|---------------------------|-----------------------|----------------------------|---------------------------|-----------------------|----------------------------|---------------------------|-----------------------|----------------------------|---------------------------|---------------------------|
| | Luffing Jib Ang. Deg. | Fixed Jib Point Elev. Feet | Fixed Jib Capacity Pounds | Luffing Jib Ang. Deg. | Fixed Jib Point Elev. Feet | Fixed Jib Capacity Pounds | Luffing Jib Ang. Deg. | Fixed Jib Point Elev. Feet | Fixed Jib Capacity Pounds | |
| 70 | 75.5 | 381.2 | 18,400 * | | | | | | | 70 |
| 75 | 74.1 | 379.8 | 18,200 * | | | | | | | 75 |
| 80 | 72.6 | 378.2 | 18,000 * | | | | | | | 80 |
| 85 | 71.2 | 376.5 | 17,800 * | | | | | | | 85 |
| 90 | 69.8 | 374.6 | 17,600 * | | | | | | | 90 |
| 95 | 68.3 | 372.6 | 17,400 * | | | | | | | 95 |
| 100 | 66.8 | 370.4 | 17,100 * | | | | | | | 100 |
| 105 | 65.3 | 368.1 | 16,700 * | 69.7 | 373.2 | 17,200 * | | | | 105 |
| 110 | 63.8 | 365.7 | 16,100 * | 68.2 | 371.1 | 17,000 * | | | | 110 |
| 115 | 62.3 | 363.0 | 15,600 * | 66.7 | 369.0 | 16,800 * | | | | 115 |
| 120 | 60.7 | 360.2 | 15,100 * | 65.3 | 366.7 | 16,600 * | | | | 120 |
| 125 | 59.1 | 357.2 | 14,600 * | 63.7 | 364.2 | 16,200 * | | | | 125 |
| 130 | 57.5 | 354.0 | 14,200 * | 62.2 | 361.5 | 15,700 * | | | | 130 |
| 135 | 55.9 | 350.6 | 13,700 * | 60.6 | 358.7 | 15,200 * | | | | 135 |
| 140 | 54.2 | 347.0 | 13,300 * | 59.1 | 355.7 | 14,700 * | | | | 140 |
| 145 | 52.5 | 343.1 | 13,000 * | 57.4 | 352.5 | 14,300 * | | | | 145 |
| 150 | 50.7 | 339.0 | 12,600 * | 55.8 | 349.1 | 13,800 * | | | | 150 |
| 155 | 48.9 | 334.7 | 12,300 * | 54.1 | 345.4 | 13,400 * | | | | 155 |
| 160 | 47.1 | 330.0 | 12,000 * | 52.4 | 341.6 | 13,100 * | | | | 160 |
| 165 | 45.2 | 325.1 | 11,700 * | 50.6 | 337.5 | 12,700 * | | | | 165 |
| 170 | 43.2 | 319.8 | 11,500 * | 48.8 | 333.1 | 12,400 * | | | | 170 |
| 175 | 41.1 | 314.1 | 11,200 * | 47.0 | 328.5 | 12,100 * | | | | 175 |
| 180 | 39.0 | 307.9 | 11,000 * | 45.1 | 323.5 | 11,800 * | | | | 180 |
| 185 | 36.7 | 301.3 | 10,700 * | 43.1 | 318.1 | 11,500 * | 56.6 | 341.2 | 14,000 | 185 |
| 190 | 34.3 | 294.0 | 10,500 * | 41.0 | 312.4 | 11,300 * | 54.9 | 337.7 | 13,400 | 190 |
| 195 | 31.8 | 286.1 | 10,300 * | 38.9 | 306.3 | 11,000 * | 53.2 | 333.9 | 12,800 | 195 |
| 200 | 29.0 | 277.2 | 10,100 * | 36.6 | 299.6 | 10,800 * | 51.5 | 329.9 | 12,300 | 200 |
| 205 | 26.0 | 267.2 | 10,000 * | 34.2 | 292.3 | 10,600 * | 49.7 | 325.7 | 11,800 | 205 |
| 210 | 22.5 | 255.6 | 9,800 * | 31.6 | 284.3 | 10,400 * | 47.8 | 321.2 | 11,400 | 210 |
| 220 | 13.2 | 222.9 | 9,500 * | 25.8 | 265.4 | 10,000 * | 44.0 | 311.2 | 10,500 | 220 |
| 230 | | | | 18.3 | 239.5 | 9,700 * | 39.9 | 299.7 | 9,700 | 230 |
| 240 | | | | | | | 35.3 | 286.3 | 8,900 | 240 |
| 250 | | | | | | | 30.2 | 270.2 | 8,200 | 250 |
| 260 | | | | | | | 24.0 | 249.8 | 7,600 | 260 |
| 270 | | | | | | | 15.6 | 220.6 | 7,000 | 270 |



Liftcrane Fixed Jib Capacities

999 SERIES 2

Fixed Jib No. 138 At
3 Degree Offset Angle On
Luffing Jib No. 135 On
Boom No. 82 or 22EL
184,600 Lb. Crane Counterweight
44,000 Lb. Carbody Counterweight
360 Degree Rating

Designed And Tested
With The Intent To
Be In The Scope of
ANSI B30.5

170 Ft. Boom, 170 Ft. Luffing Jib, 50 Ft. Fixed Jib

| Fixed Jib Oper. Rad. Feet | 88 Degree Boom Angle | | | 83 Degree Boom Angle | | | 70 Degree Boom Angle | | | Fixed Jib Oper. Rad. Feet |
|---------------------------|-----------------------|----------------------------|---------------------------|-----------------------|----------------------------|---------------------------|-----------------------|----------------------------|---------------------------|---------------------------|
| | Luffing Jib Ang. Deg. | Fixed Jib Point Elev. Feet | Fixed Jib Capacity Pounds | Luffing Jib Ang. Deg. | Fixed Jib Point Elev. Feet | Fixed Jib Capacity Pounds | Luffing Jib Ang. Deg. | Fixed Jib Point Elev. Feet | Fixed Jib Capacity Pounds | |
| 75 | 74.8 | 390.2 | 17,200 * | | | | | | | 75 |
| 80 | 73.5 | 388.7 | 17,000 * | | | | | | | 80 |
| 85 | 72.1 | 387.1 | 16,800 * | | | | | | | 85 |
| 90 | 70.7 | 385.3 | 16,500 * | | | | | | | 90 |
| 95 | 69.3 | 383.4 | 16,300 * | | | | | | | 95 |
| 100 | 67.9 | 381.3 | 16,100 * | | | | | | | 100 |
| 105 | 66.5 | 379.2 | 15,800 * | 70.7 | 383.8 | 16,000 * | | | | 105 |
| 110 | 65.1 | 376.8 | 15,700 * | 69.3 | 381.9 | 15,800 * | | | | 110 |
| 115 | 63.6 | 374.3 | 15,300 * | 67.9 | 379.9 | 15,700 * | | | | 115 |
| 120 | 62.2 | 371.7 | 14,800 * | 66.4 | 377.7 | 15,500 * | | | | 120 |
| 125 | 60.7 | 368.9 | 14,300 * | 65.0 | 375.3 | 15,300 * | | | | 125 |
| 130 | 59.2 | 365.9 | 13,900 * | 63.6 | 372.8 | 15,200 * | | | | 130 |
| 135 | 57.6 | 362.7 | 13,500 * | 62.1 | 370.2 | 14,900 * | | | | 135 |
| 140 | 56.1 | 359.3 | 13,100 * | 60.6 | 367.4 | 14,400 * | | | | 140 |
| 145 | 54.5 | 355.7 | 12,700 * | 59.1 | 364.4 | 14,000 * | | | | 145 |
| 150 | 52.8 | 351.9 | 12,400 * | 57.6 | 361.2 | 13,600 * | | | | 150 |
| 155 | 51.2 | 347.9 | 12,100 * | 56.0 | 357.8 | 13,200 * | | | | 155 |
| 160 | 49.5 | 343.6 | 11,800 * | 54.4 | 354.2 | 12,800 * | | | | 160 |
| 165 | 47.7 | 339.1 | 11,500 * | 52.8 | 350.4 | 12,500 * | | | | 165 |
| 170 | 45.9 | 334.2 | 11,200 * | 51.1 | 346.3 | 12,200 * | | | | 170 |
| 175 | 44.0 | 329.1 | 11,000 * | 49.4 | 342.1 | 11,900 * | | | | 175 |
| 180 | 42.1 | 323.6 | 10,800 * | 47.6 | 337.5 | 11,600 * | | | | 180 |
| 185 | 40.1 | 317.7 | 10,500 * | 45.8 | 332.7 | 11,300 * | | | | 185 |
| 190 | 38.0 | 311.3 | 10,300 * | 44.0 | 327.5 | 11,100 * | 56.7 | 349.9 | 12,900 * | 190 |
| 195 | 35.8 | 304.4 | 10,100 * | 42.0 | 322.0 | 10,800 * | 55.1 | 346.4 | 12,600 * | 195 |
| 200 | 33.5 | 297.0 | 9,900 * | 40.0 | 316.0 | 10,600 * | 53.5 | 342.7 | 12,000 | 200 |
| 205 | 31.0 | 288.8 | 9,800 * | 37.9 | 309.7 | 10,400 * | 51.9 | 338.8 | 11,500 | 205 |
| 210 | 28.3 | 279.7 | 9,600 * | 35.7 | 302.8 | 10,200 * | 50.2 | 334.6 | 11,100 | 210 |
| 220 | 22.0 | 257.5 | 9,300 * | 30.9 | 287.0 | 9,800 * | 46.7 | 325.4 | 10,200 | 220 |
| 230 | 12.9 | 223.9 | 9,100 * | 25.2 | 267.5 | 9,500 * | 42.9 | 315.1 | 9,400 | 230 |
| 240 | | | | 17.8 | 241.0 | 9,200 * | 38.9 | 303.2 | 8,600 | 240 |
| 250 | | | | | | | 34.5 | 289.3 | 8,000 | 250 |
| 260 | | | | | | | 29.4 | 272.7 | 7,300 | 260 |
| 270 | | | | | | | 23.4 | 251.8 | 6,700 | 270 |
| 280 | | | | | | | 15.2 | 221.9 | 6,200 | 280 |

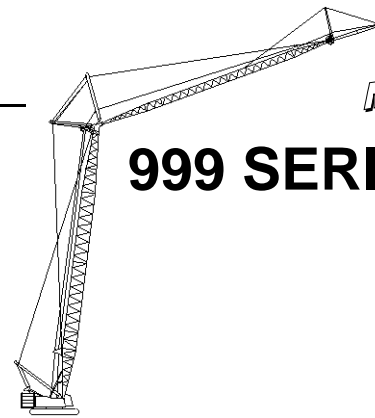


Liftcrane Fixed Jib Capacities

999 SERIES 2

Fixed Jib No. 138 At
3 Degree Offset Angle On
Luffing Jib No. 135 On
Boom No. 82 or 22EL
184,600 Lb. Crane Counterweight
44,000 Lb. Carbody Counterweight
360 Degree Rating

Designed And Tested
With The Intent To
Be In The Scope of
ANSI B30.5



170 Ft. Boom, 140 Ft. Luffing Jib, 60 Ft. Fixed Jib

| Fixed Jib Oper. Rad. Feet | 88 Degree Boom Angle | | | 83 Degree Boom Angle | | | 70 Degree Boom Angle | | | Fixed Jib Oper. Rad. Feet |
|---------------------------|-----------------------|----------------------------|---------------------------|-----------------------|----------------------------|---------------------------|-----------------------|----------------------------|---------------------------|---------------------------|
| | Luffing Jib Ang. Deg. | Fixed Jib Point Elev. Feet | Fixed Jib Capacity Pounds | Luffing Jib Ang. Deg. | Fixed Jib Point Elev. Feet | Fixed Jib Capacity Pounds | Luffing Jib Ang. Deg. | Fixed Jib Point Elev. Feet | Fixed Jib Capacity Pounds | |
| 70 | 74.5 | 370.9 | 16,300 * | | | | | | | 70 |
| 75 | 73.1 | 369.3 | 16,000 * | | | | | | | 75 |
| 80 | 71.6 | 367.7 | 15,700 * | | | | | | | 80 |
| 85 | 70.0 | 365.9 | 15,300 * | | | | | | | 85 |
| 90 | 68.5 | 363.9 | 15,000 * | | | | | | | 90 |
| 95 | 67.0 | 361.8 | 14,700 * | | | | | | | 95 |
| 100 | 65.4 | 359.5 | 14,400 * | 70.0 | 364.4 | 15,100 * | | | | 100 |
| 105 | 63.8 | 357.0 | 14,100 * | 68.4 | 362.4 | 14,800 * | | | | 105 |
| 110 | 62.2 | 354.4 | 13,800 * | 66.9 | 360.3 | 14,500 * | | | | 110 |
| 115 | 60.6 | 351.6 | 13,500 * | 65.3 | 358.0 | 14,200 * | | | | 115 |
| 120 | 58.9 | 348.6 | 13,300 * | 63.7 | 355.6 | 13,900 * | | | | 120 |
| 125 | 57.2 | 345.4 | 13,000 * | 62.1 | 352.9 | 13,700 * | | | | 125 |
| 130 | 55.5 | 341.9 | 12,800 * | 60.5 | 350.1 | 13,400 * | | | | 130 |
| 135 | 53.7 | 338.3 | 12,600 * | 58.8 | 347.1 | 13,200 * | | | | 135 |
| 140 | 51.9 | 334.4 | 12,300 * | 57.1 | 343.9 | 12,900 * | | | | 140 |
| 145 | 50.0 | 330.2 | 12,000 * | 55.4 | 340.4 | 12,700 * | | | | 145 |
| 150 | 48.1 | 325.8 | 11,600 * | 53.6 | 336.8 | 12,500 * | | | | 150 |
| 155 | 46.2 | 321.0 | 11,300 * | 51.8 | 332.8 | 12,300 * | | | | 155 |
| 160 | 44.1 | 315.9 | 11,000 * | 50.0 | 328.7 | 12,000 * | | | | 160 |
| 165 | 42.0 | 310.4 | 10,700 * | 48.0 | 324.2 | 11,700 * | | | | 165 |
| 170 | 39.8 | 304.5 | 10,500 * | 46.1 | 319.4 | 11,400 * | | | | 170 |
| 175 | 37.5 | 298.1 | 10,200 * | 44.0 | 314.3 | 11,100 * | 57.9 | 335.9 | 12,300 * | 175 |
| 180 | 35.0 | 291.1 | 10,000 * | 41.9 | 308.8 | 10,800 * | 56.2 | 332.5 | 12,100 * | 180 |
| 185 | 32.4 | 283.3 | 9,700 * | 39.7 | 302.8 | 10,500 * | 54.4 | 329.0 | 12,000 * | 185 |
| 190 | 29.6 | 274.8 | 9,500 * | 37.4 | 296.4 | 10,300 * | 52.6 | 325.2 | 11,900 * | 190 |
| 195 | 26.5 | 265.1 | 9,300 * | 34.9 | 289.4 | 10,000 * | 50.8 | 321.1 | 11,700 * | 195 |
| 200 | 22.9 | 253.8 | 9,100 * | 32.3 | 281.6 | 9,800 * | 48.9 | 316.8 | 11,600 * | 200 |
| 205 | 18.8 | 240.2 | 8,900 * | 29.4 | 273.0 | 9,600 * | 47.0 | 312.2 | 11,500 * | 205 |
| 210 | 13.4 | 222.0 | 8,600 * | 26.3 | 263.2 | 9,400 * | 45.0 | 307.2 | 11,300 * | 210 |
| 220 | | | | 18.6 | 238.1 | 9,000 * | 40.7 | 296.2 | 10,800 * | 220 |
| 230 | | | | | | | 36.1 | 283.2 | 10,200 | 230 |
| 240 | | | | | | | 30.8 | 267.6 | 9,500 | 240 |
| 250 | | | | | | | 24.5 | 247.9 | 8,800 | 250 |
| 260 | | | | | | | 15.9 | 219.5 | 8,100 | 260 |

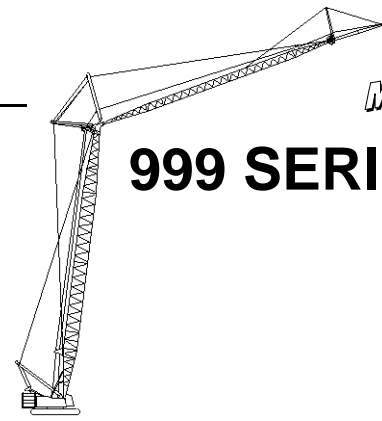


Liftcrane Fixed Jib Capacities

999 SERIES 2

Fixed Jib No. 138 At
3 Degree Offset Angle On
Luffing Jib No. 135 On
Boom No. 82 or 22EL
184,600 Lb. Crane Counterweight
44,000 Lb. Carbody Counterweight
360 Degree Rating

Designed And Tested
With The Intent To
Be In The Scope of
ANSI B30.5



170 Ft. Boom, 150 Ft. Luffing Jib, 60 Ft. Fixed Jib

| Fixed Jib Oper. Rad. Feet | 88 Degree Boom Angle | | | 83 Degree Boom Angle | | | 70 Degree Boom Angle | | | Fixed Jib Oper. Rad. Feet |
|---------------------------|-----------------------|----------------------------|---------------------------|-----------------------|----------------------------|---------------------------|-----------------------|----------------------------|---------------------------|---------------------------|
| | Luffing Jib Ang. Deg. | Fixed Jib Point Elev. Feet | Fixed Jib Capacity Pounds | Luffing Jib Ang. Deg. | Fixed Jib Point Elev. Feet | Fixed Jib Capacity Pounds | Luffing Jib Ang. Deg. | Fixed Jib Point Elev. Feet | Fixed Jib Capacity Pounds | |
| 70 | 75.3 | 381.3 | 15,700 * | | | | | | | 70 |
| 75 | 73.9 | 379.8 | 15,400 * | | | | | | | 75 |
| 80 | 72.5 | 378.2 | 15,200 * | | | | | | | 80 |
| 85 | 71.0 | 376.5 | 14,900 * | | | | | | | 85 |
| 90 | 69.6 | 374.7 | 14,600 * | | | | | | | 90 |
| 95 | 68.1 | 372.6 | 14,300 * | | | | | | | 95 |
| 100 | 66.6 | 370.5 | 14,000 * | 71.0 | 375.1 | 14,600 * | | | | 100 |
| 105 | 65.1 | 368.2 | 13,700 * | 69.5 | 373.2 | 14,300 * | | | | 105 |
| 110 | 63.6 | 365.7 | 13,400 * | 68.0 | 371.2 | 14,000 * | | | | 110 |
| 115 | 62.1 | 363.1 | 13,200 * | 66.6 | 369.0 | 13,800 * | | | | 115 |
| 120 | 60.5 | 360.2 | 13,000 * | 65.1 | 366.7 | 13,500 * | | | | 120 |
| 125 | 58.9 | 357.2 | 12,700 * | 63.6 | 364.2 | 13,300 * | | | | 125 |
| 130 | 57.3 | 354.0 | 12,500 * | 62.0 | 361.6 | 13,100 * | | | | 130 |
| 135 | 55.7 | 350.6 | 12,300 * | 60.5 | 358.7 | 12,800 * | | | | 135 |
| 140 | 54.0 | 347.0 | 12,100 * | 58.9 | 355.7 | 12,600 * | | | | 140 |
| 145 | 52.3 | 343.2 | 11,800 * | 57.3 | 352.5 | 12,400 * | | | | 145 |
| 150 | 50.5 | 339.1 | 11,500 * | 55.6 | 349.1 | 12,200 * | | | | 150 |
| 155 | 48.7 | 334.7 | 11,200 * | 53.9 | 345.5 | 12,000 * | | | | 155 |
| 160 | 46.9 | 330.1 | 10,900 * | 52.2 | 341.6 | 11,900 * | | | | 160 |
| 165 | 45.0 | 325.1 | 10,600 * | 50.5 | 337.5 | 11,600 * | | | | 165 |
| 170 | 43.0 | 319.8 | 10,300 * | 48.7 | 333.2 | 11,200 * | | | | 170 |
| 175 | 40.9 | 314.1 | 10,100 * | 46.8 | 328.5 | 10,900 * | | | | 175 |
| 180 | 38.8 | 308.0 | 9,800 * | 44.9 | 323.5 | 10,700 * | 58.0 | 344.6 | 11,700 * | 180 |
| 185 | 36.5 | 301.3 | 9,600 * | 42.9 | 318.2 | 10,400 * | 56.4 | 341.2 | 11,600 * | 185 |
| 190 | 34.1 | 294.1 | 9,400 * | 40.8 | 312.5 | 10,100 * | 54.7 | 337.7 | 11,500 * | 190 |
| 195 | 31.6 | 286.1 | 9,200 * | 38.7 | 306.3 | 9,900 * | 53.0 | 334.0 | 11,400 * | 195 |
| 200 | 28.8 | 277.3 | 9,000 * | 36.4 | 299.7 | 9,700 * | 51.3 | 330.0 | 11,300 * | 200 |
| 205 | 25.8 | 267.3 | 8,800 * | 34.0 | 292.4 | 9,400 * | 49.5 | 325.7 | 11,200 * | 205 |
| 210 | 22.4 | 255.7 | 8,700 * | 31.5 | 284.4 | 9,200 * | 47.7 | 321.2 | 11,100 * | 210 |
| 220 | 13.1 | 223.1 | 8,400 * | 25.6 | 265.5 | 8,900 * | 43.8 | 311.2 | 10,600 * | 220 |
| 230 | | | | 18.1 | 239.6 | 8,600 * | 39.7 | 299.8 | 10,100 | 230 |
| 240 | | | | | | | 35.1 | 286.3 | 9,300 | 240 |
| 250 | | | | | | | 30.0 | 270.3 | 8,600 | 250 |
| 260 | | | | | | | 23.8 | 249.9 | 8,000 | 260 |
| 270 | | | | | | | 15.5 | 220.8 | 7,400 | 270 |

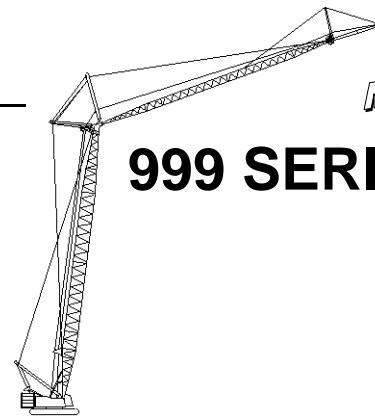


Liftcrane Fixed Jib Capacities

999 SERIES 2

Fixed Jib No. 138 At
3 Degree Offset Angle On
Luffing Jib No. 135 On
Boom No. 82 or 22EL
184,600 Lb. Crane Counterweight
44,000 Lb. Carbody Counterweight
360 Degree Rating

Designed And Tested
With The Intent To
Be In The Scope of
ANSI B30.5



170 Ft. Boom, 160 Ft. Luffing Jib, 60 Ft. Fixed Jib

| Fixed Jib Oper. Rad. Feet | 88 Degree Boom Angle | | | 83 Degree Boom Angle | | | 70 Degree Boom Angle | | | Fixed Jib Oper. Rad. Feet |
|---------------------------|-----------------------|----------------------------|---------------------------|-----------------------|----------------------------|---------------------------|-----------------------|----------------------------|---------------------------|---------------------------|
| | Luffing Jib Ang. Deg. | Fixed Jib Point Elev. Feet | Fixed Jib Capacity Pounds | Luffing Jib Ang. Deg. | Fixed Jib Point Elev. Feet | Fixed Jib Capacity Pounds | Luffing Jib Ang. Deg. | Fixed Jib Point Elev. Feet | Fixed Jib Capacity Pounds | |
| 70 | 76.0 | 391.6 | 15,100 * | | | | | | | 70 |
| 75 | 74.6 | 390.2 | 14,800 * | | | | | | | 75 |
| 80 | 73.3 | 388.7 | 14,600 * | | | | | | | 80 |
| 85 | 71.9 | 387.1 | 14,300 * | | | | | | | 85 |
| 90 | 70.5 | 385.3 | 14,000 * | | | | | | | 90 |
| 95 | 69.2 | 383.4 | 13,800 * | | | | | | | 95 |
| 100 | 67.8 | 381.4 | 13,500 * | | | | | | | 100 |
| 105 | 66.3 | 379.2 | 13,300 * | 70.5 | 383.9 | 13,700 * | | | | 105 |
| 110 | 64.9 | 376.9 | 13,000 * | 69.1 | 382.0 | 13,500 * | | | | 110 |
| 115 | 63.5 | 374.4 | 12,800 * | 67.7 | 379.9 | 13,300 * | | | | 115 |
| 120 | 62.0 | 371.7 | 12,600 * | 66.3 | 377.7 | 13,100 * | | | | 120 |
| 125 | 60.5 | 368.9 | 12,400 * | 64.8 | 375.4 | 12,800 * | | | | 125 |
| 130 | 59.0 | 365.9 | 12,200 * | 63.4 | 372.9 | 12,600 * | | | | 130 |
| 135 | 57.5 | 362.7 | 12,000 * | 61.9 | 370.2 | 12,500 * | | | | 135 |
| 140 | 55.9 | 359.4 | 11,800 * | 60.4 | 367.4 | 12,200 * | | | | 140 |
| 145 | 54.3 | 355.8 | 11,600 * | 58.9 | 364.4 | 12,000 * | | | | 145 |
| 150 | 52.7 | 352.0 | 11,300 * | 57.4 | 361.2 | 11,900 * | | | | 150 |
| 155 | 51.0 | 348.0 | 11,000 * | 55.8 | 357.8 | 11,700 * | | | | 155 |
| 160 | 49.3 | 343.7 | 10,700 * | 54.2 | 354.2 | 11,500 * | | | | 160 |
| 165 | 47.5 | 339.1 | 10,400 * | 52.6 | 350.4 | 11,400 * | | | | 165 |
| 170 | 45.7 | 334.3 | 10,200 * | 50.9 | 346.4 | 11,100 * | | | | 170 |
| 175 | 43.9 | 329.1 | 9,900 * | 49.2 | 342.1 | 10,800 * | | | | 175 |
| 180 | 42.0 | 323.6 | 9,700 * | 47.5 | 337.6 | 10,500 * | | | | 180 |
| 185 | 39.9 | 317.7 | 9,500 * | 45.7 | 332.7 | 10,300 * | | | | 185 |
| 190 | 37.8 | 311.4 | 9,300 * | 43.8 | 327.5 | 10,000 * | 56.5 | 349.9 | 11,000 * | 190 |
| 195 | 35.6 | 304.5 | 9,100 * | 41.9 | 322.0 | 9,800 * | 55.0 | 346.4 | 10,900 * | 195 |
| 200 | 33.3 | 297.1 | 8,900 * | 39.9 | 316.1 | 9,500 * | 53.3 | 342.7 | 10,800 * | 200 |
| 205 | 30.8 | 288.9 | 8,700 * | 37.8 | 309.7 | 9,300 * | 51.7 | 338.8 | 10,700 * | 205 |
| 210 | 28.1 | 279.8 | 8,600 * | 35.5 | 302.8 | 9,100 * | 50.0 | 334.6 | 10,700 * | 210 |
| 220 | 21.8 | 257.6 | 8,300 * | 30.7 | 287.1 | 8,800 * | 46.5 | 325.5 | 10,400 * | 220 |
| 230 | 12.8 | 224.1 | 8,000 * | 25.0 | 267.6 | 8,400 * | 42.8 | 315.1 | 9,700 * | 230 |
| 240 | | | | 17.7 | 241.1 | 8,200 * | 38.7 | 303.2 | 9,000 * | 240 |
| 250 | | | | | | | 34.3 | 289.4 | 8,300 * | 250 |
| 260 | | | | | | | 29.3 | 272.8 | 7,700 * | 260 |
| 270 | | | | | | | 23.3 | 252.0 | 7,100 * | 270 |
| 280 | | | | | | | 15.1 | 222.1 | 6,500 * | 280 |

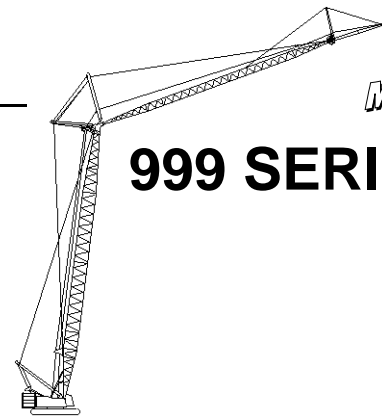


Liftcrane Fixed Jib Capacities

999 SERIES 2

Fixed Jib No. 138 At
3 Degree Offset Angle On
Luffing Jib No. 135 On
Boom No. 82 or 22EL
184,600 Lb. Crane Counterweight
44,000 Lb. Carbody Counterweight
360 Degree Rating

Designed And Tested
With The Intent To
Be In The Scope of
ANSI B30.5



170 Ft. Boom, 170 Ft. Luffing Jib, 60 Ft. Fixed Jib

| Fixed Jib Oper. Rad. Feet | 88 Degree Boom Angle | | | 83 Degree Boom Angle | | | 70 Degree Boom Angle | | | Fixed Jib Oper. Rad. Feet |
|---------------------------|-----------------------|----------------------------|---------------------------|-----------------------|----------------------------|---------------------------|-----------------------|----------------------------|---------------------------|---------------------------|
| | Luffing Jib Ang. Deg. | Fixed Jib Point Elev. Feet | Fixed Jib Capacity Pounds | Luffing Jib Ang. Deg. | Fixed Jib Point Elev. Feet | Fixed Jib Capacity Pounds | Luffing Jib Ang. Deg. | Fixed Jib Point Elev. Feet | Fixed Jib Capacity Pounds | |
| 75 | 75.3 | 400.6 | 14,100 * | | | | | | | 75 |
| 80 | 74.0 | 399.2 | 13,900 * | | | | | | | 80 |
| 85 | 72.7 | 397.6 | 13,700 * | | | | | | | 85 |
| 90 | 71.4 | 396.0 | 13,400 * | | | | | | | 90 |
| 95 | 70.1 | 394.1 | 13,200 * | | | | | | | 95 |
| 100 | 68.8 | 392.2 | 13,000 * | | | | | | | 100 |
| 105 | 67.4 | 390.1 | 12,800 * | | | | | | | 105 |
| 110 | 66.1 | 387.9 | 12,500 * | 70.0 | 392.7 | 12,900 * | | | | 110 |
| 115 | 64.7 | 385.6 | 12,300 * | 68.7 | 390.8 | 12,700 * | | | | 115 |
| 120 | 63.3 | 383.0 | 12,100 * | 67.4 | 388.7 | 12,500 * | | | | 120 |
| 125 | 61.9 | 380.4 | 11,900 * | 66.0 | 386.5 | 12,300 * | | | | 125 |
| 130 | 60.5 | 377.6 | 11,700 * | 64.6 | 384.1 | 12,100 * | | | | 130 |
| 135 | 59.0 | 374.6 | 11,600 * | 63.2 | 381.6 | 11,900 * | | | | 135 |
| 140 | 57.6 | 371.4 | 11,400 * | 61.8 | 378.9 | 11,800 * | | | | 140 |
| 145 | 56.1 | 368.1 | 11,200 * | 60.4 | 376.1 | 11,600 * | | | | 145 |
| 150 | 54.6 | 364.5 | 11,100 * | 59.0 | 373.1 | 11,500 * | | | | 150 |
| 155 | 53.0 | 360.8 | 10,800 * | 57.5 | 369.9 | 11,300 * | | | | 155 |
| 160 | 51.4 | 356.8 | 10,500 * | 56.0 | 366.5 | 11,100 * | | | | 160 |
| 165 | 49.8 | 352.6 | 10,300 * | 54.5 | 363.0 | 11,000 * | | | | 165 |
| 170 | 48.1 | 348.1 | 10,000 * | 52.9 | 359.2 | 10,900 * | | | | 170 |
| 175 | 46.4 | 343.4 | 9,800 * | 51.3 | 355.2 | 10,600 * | | | | 175 |
| 180 | 44.7 | 338.4 | 9,500 * | 49.7 | 351.0 | 10,300 * | | | | 180 |
| 185 | 42.9 | 333.1 | 9,300 * | 48.1 | 346.6 | 10,100 * | | | | 185 |
| 190 | 41.0 | 327.4 | 9,100 * | 46.4 | 341.8 | 9,800 * | | | | 190 |
| 195 | 39.0 | 321.3 | 8,900 * | 44.6 | 336.8 | 9,600 * | 56.7 | 358.6 | 10,400 * | 195 |
| 200 | 37.0 | 314.7 | 8,700 * | 42.8 | 331.4 | 9,400 * | 55.2 | 355.2 | 10,300 * | 200 |
| 205 | 34.8 | 307.6 | 8,600 * | 40.9 | 325.7 | 9,200 * | 53.7 | 351.5 | 10,200 * | 205 |
| 210 | 32.6 | 299.9 | 8,400 * | 38.9 | 319.6 | 9,000 * | 52.1 | 347.6 | 10,200 * | 210 |
| 220 | 27.5 | 282.2 | 8,100 * | 34.7 | 305.9 | 8,600 * | 48.8 | 339.2 | 10,000 * | 220 |
| 230 | 21.3 | 259.5 | 7,800 * | 30.0 | 289.8 | 8,300 * | 45.4 | 329.7 | 9,400 * | 230 |
| 240 | 12.5 | 225.2 | 7,600 * | 24.5 | 269.8 | 8,000 * | 41.8 | 318.9 | 8,700 * | 240 |
| 250 | | | | 17.3 | 242.6 | 7,800 * | 37.8 | 306.6 | 8,000 * | 250 |
| 260 | | | | | | | 33.5 | 292.4 | 7,400 * | 260 |
| 270 | | | | | | | 28.6 | 275.3 | 6,800 * | 270 |
| 280 | | | | | | | 22.7 | 253.9 | 6,300 * | 280 |
| 290 | | | | | | | 14.8 | 223.3 | 5,700 * | 290 |

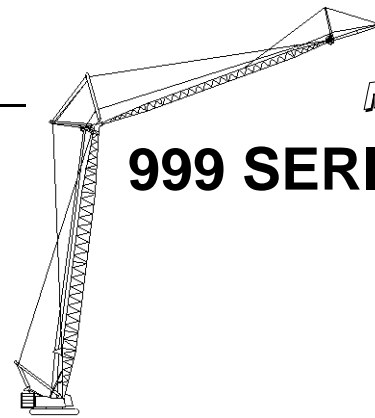


Liftcrane Fixed Jib Capacities

999 SERIES 2

Fixed Jib No. 138 At
3 Degree Offset Angle On
Luffing Jib No. 135 On
Boom No. 82 or 22EL
184,600 Lb. Crane Counterweight
44,000 Lb. Carbody Counterweight
360 Degree Rating

Designed And Tested
With The Intent To
Be In The Scope of
ANSI B30.5



180 Ft. Boom, 140 Ft. Luffing Jib, 30 Ft. Fixed Jib

| Fixed Jib Oper. Rad. Feet | 88 Degree Boom Angle | | | 83 Degree Boom Angle | | | 70 Degree Boom Angle | | | Fixed Jib Oper. Rad. Feet |
|---------------------------|-----------------------|----------------------------|---------------------------|-----------------------|----------------------------|---------------------------|-----------------------|----------------------------|---------------------------|---------------------------|
| | Luffing Jib Ang. Deg. | Fixed Jib Point Elev. Feet | Fixed Jib Capacity Pounds | Luffing Jib Ang. Deg. | Fixed Jib Point Elev. Feet | Fixed Jib Capacity Pounds | Luffing Jib Ang. Deg. | Fixed Jib Point Elev. Feet | Fixed Jib Capacity Pounds | |
| 60 | 75.1 | 352.6 | 27,200 * | | | | | | | 60 |
| 65 | 73.3 | 351.1 | 26,900 * | | | | | | | 65 |
| 70 | 71.5 | 349.5 | 26,600 * | | | | | | | 70 |
| 75 | 69.8 | 347.7 | 26,300 * | | | | | | | 75 |
| 80 | 68.0 | 345.7 | 26,100 * | | | | | | | 80 |
| 85 | 66.1 | 343.5 | 25,900 * | | | | | | | 85 |
| 90 | 64.3 | 341.2 | 25,600 * | 70.0 | 346.5 | 26,600 * | | | | 90 |
| 95 | 62.4 | 338.6 | 24,900 * | 68.2 | 344.5 | 26,400 * | | | | 95 |
| 100 | 60.5 | 335.8 | 24,000 * | 66.4 | 342.4 | 26,200 * | | | | 100 |
| 105 | 58.5 | 332.8 | 23,200 * | 64.5 | 340.0 | 26,000 * | | | | 105 |
| 110 | 56.5 | 329.5 | 22,400 * | 62.6 | 337.5 | 25,400 * | | | | 110 |
| 115 | 54.5 | 326.0 | 21,700 * | 60.7 | 334.7 | 24,500 * | | | | 115 |
| 120 | 52.4 | 322.2 | 21,000 * | 58.8 | 331.8 | 23,700 * | | | | 120 |
| 125 | 50.2 | 318.1 | 20,400 * | 56.8 | 328.5 | 22,900 * | | | | 125 |
| 130 | 48.0 | 313.7 | 19,800 * | 54.7 | 325.1 | 22,100 * | | | | 130 |
| 135 | 45.6 | 308.9 | 19,300 * | 52.6 | 321.3 | 21,500 * | | | | 135 |
| 140 | 43.2 | 303.7 | 18,800 * | 50.5 | 317.3 | 20,800 * | | | | 140 |
| 145 | 40.7 | 298.1 | 18,300 * | 48.3 | 312.9 | 20,200 * | | | | 145 |
| 150 | 38.0 | 291.8 | 17,900 * | 45.9 | 308.1 | 19,600 * | | | | 150 |
| 155 | 35.2 | 285.0 | 17,500 * | 43.5 | 303.0 | 19,100 * | | | | 155 |
| 160 | 32.1 | 277.3 | 17,100 * | 41.0 | 297.4 | 18,600 * | | | | 160 |
| 165 | 28.7 | 268.6 | 16,600 * | 38.4 | 291.2 | 18,200 * | 56.6 | 318.2 | 16,300 | 165 |
| 170 | 24.9 | 258.4 | 16,000 * | 35.5 | 284.5 | 17,800 * | 54.5 | 314.7 | 15,600 | 170 |
| 175 | 20.5 | 246.2 | 15,300 * | 32.5 | 276.9 | 17,400 * | 52.4 | 310.9 | 14,900 | 175 |
| 180 | 14.8 | 229.9 | 14,700 * | 29.2 | 268.3 | 17,000 * | 50.3 | 306.8 | 14,300 | 180 |
| 185 | 3.6 | 197.0 | 14,100 * | 25.5 | 258.4 | 16,700 * | 48.0 | 302.4 | 13,700 | 185 |
| 190 | | | | 21.1 | 246.5 | 16,300 * | 45.7 | 297.6 | 13,100 | 190 |
| 195 | | | | 15.6 | 230.9 | 16,100 * | 43.3 | 292.5 | 12,500 | 195 |
| 200 | | | | 6.4 | 203.8 | 15,900 * | 40.8 | 286.8 | 12,000 | 200 |
| 205 | | | | | | | 38.1 | 280.6 | 11,500 | 205 |
| 210 | | | | | | | 35.3 | 273.7 | 11,100 | 210 |
| 220 | | | | | | | 28.8 | 257.4 | 10,200 | 220 |
| 230 | | | | | | | 20.6 | 235.1 | 9,400 | 230 |
| 240 | | | | | | | 4.4 | 188.0 | 8,500 | 240 |

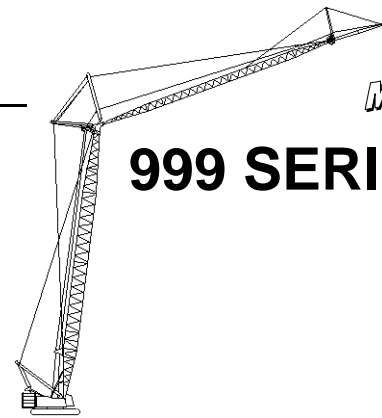


Liftcrane Fixed Jib Capacities

999 SERIES 2

Fixed Jib No. 138 At
 3 Degree Offset Angle On
 Luffing Jib No. 135 On
 Boom No. 82 or 22EL
 184,600 Lb. Crane Counterweight
 44,000 Lb. Carbody Counterweight
 360 Degree Rating

Designed And Tested
 With The Intent To
 Be In The Scope of
 ANSI B30.5



180 Ft. Boom, 150 Ft. Luffing Jib, 30 Ft. Fixed Jib

| Fixed Jib Oper. Rad. Feet | 88 Degree Boom Angle | | | 83 Degree Boom Angle | | | 70 Degree Boom Angle | | | Fixed Jib Oper. Rad. Feet |
|---------------------------|-----------------------|----------------------------|---------------------------|-----------------------|----------------------------|---------------------------|-----------------------|----------------------------|---------------------------|---------------------------|
| | Luffing Jib Ang. Deg. | Fixed Jib Point Elev. Feet | Fixed Jib Capacity Pounds | Luffing Jib Ang. Deg. | Fixed Jib Point Elev. Feet | Fixed Jib Capacity Pounds | Luffing Jib Ang. Deg. | Fixed Jib Point Elev. Feet | Fixed Jib Capacity Pounds | |
| 60 | 75.9 | 363.0 | 26,600 * | | | | | | | 60 |
| 65 | 74.3 | 361.6 | 26,300 * | | | | | | | 65 |
| 70 | 72.6 | 360.1 | 26,100 * | | | | | | | 70 |
| 75 | 70.9 | 358.4 | 25,800 * | | | | | | | 75 |
| 80 | 69.2 | 356.5 | 25,600 * | | | | | | | 80 |
| 85 | 67.5 | 354.5 | 25,400 * | | | | | | | 85 |
| 90 | 65.8 | 352.2 | 25,200 * | | | | | | | 90 |
| 95 | 64.0 | 349.8 | 24,400 * | 69.5 | 355.3 | 25,800 * | | | | 95 |
| 100 | 62.3 | 347.3 | 23,500 * | 67.7 | 353.3 | 25,600 * | | | | 100 |
| 105 | 60.4 | 344.5 | 22,800 * | 66.0 | 351.1 | 25,500 * | | | | 105 |
| 110 | 58.6 | 341.5 | 22,000 * | 64.3 | 348.7 | 24,900 * | | | | 110 |
| 115 | 56.7 | 338.2 | 21,300 * | 62.5 | 346.2 | 24,000 * | | | | 115 |
| 120 | 54.8 | 334.7 | 20,700 * | 60.7 | 343.4 | 23,200 * | | | | 120 |
| 125 | 52.8 | 331.0 | 20,100 * | 58.8 | 340.4 | 22,500 * | | | | 125 |
| 130 | 50.8 | 327.0 | 19,500 * | 57.0 | 337.2 | 21,800 * | | | | 130 |
| 135 | 48.7 | 322.7 | 19,000 * | 55.0 | 333.8 | 21,100 * | | | | 135 |
| 140 | 46.5 | 318.0 | 18,500 * | 53.1 | 330.1 | 20,500 * | | | | 140 |
| 145 | 44.3 | 313.0 | 18,100 * | 51.0 | 326.1 | 19,900 * | | | | 145 |
| 150 | 41.9 | 307.6 | 17,600 * | 49.0 | 321.8 | 19,400 * | | | | 150 |
| 155 | 39.5 | 301.7 | 17,200 * | 46.8 | 317.2 | 18,900 * | | | | 155 |
| 160 | 36.9 | 295.2 | 16,800 * | 44.6 | 312.3 | 18,400 * | | | | 160 |
| 165 | 34.1 | 288.0 | 16,300 * | 42.2 | 306.9 | 17,900 * | | | | 165 |
| 170 | 31.2 | 280.1 | 15,700 * | 39.8 | 301.0 | 17,500 * | 56.8 | 326.9 | 15,400 | 170 |
| 175 | 27.9 | 271.0 | 15,100 * | 37.2 | 294.6 | 17,100 * | 54.8 | 323.4 | 14,800 | 175 |
| 180 | 24.2 | 260.6 | 14,500 * | 34.5 | 287.6 | 16,800 * | 52.9 | 319.7 | 14,100 | 180 |
| 185 | 19.9 | 247.9 | 13,900 * | 31.6 | 279.7 | 16,400 * | 50.8 | 315.7 | 13,500 | 185 |
| 190 | 14.4 | 231.1 | 13,400 * | 28.3 | 270.8 | 16,100 * | 48.7 | 311.4 | 12,900 | 190 |
| 195 | 3.5 | 197.2 | 12,900 * | 24.7 | 260.6 | 15,800 * | 46.6 | 306.7 | 12,400 | 195 |
| 200 | | | | 20.5 | 248.3 | 15,500 * | 44.3 | 301.7 | 11,900 | 200 |
| 205 | | | | 15.2 | 232.2 | 15,300 * | 42.0 | 296.3 | 11,400 | 205 |
| 210 | | | | 6.2 | 204.3 | 15,100 * | 39.6 | 290.4 | 10,900 | 210 |
| 220 | | | | | | | 34.2 | 276.8 | 10,100 | 220 |
| 230 | | | | | | | 28.0 | 259.9 | 9,300 | 230 |
| 240 | | | | | | | 20.0 | 236.9 | 8,500 | 240 |
| 250 | | | | | | | 4.3 | 188.3 | 7,800 | 250 |

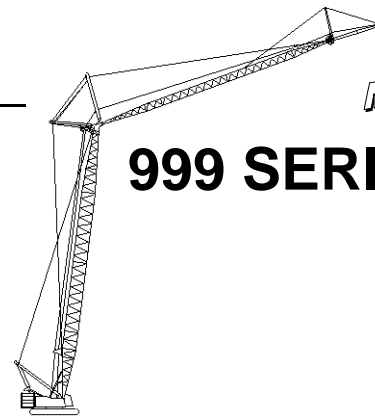


Liftcrane Fixed Jib Capacities

999 SERIES 2

Fixed Jib No. 138 At
 3 Degree Offset Angle On
 Luffing Jib No. 135 On
 Boom No. 82 or 22EL
 184,600 Lb. Crane Counterweight
 44,000 Lb. Carbody Counterweight
 360 Degree Rating

Designed And Tested
 With The Intent To
 Be In The Scope of
 ANSI B30.5



180 Ft. Boom, 160 Ft. Luffing Jib, 30 Ft. Fixed Jib

| Fixed Jib Oper. Rad. Feet | 88 Degree Boom Angle | | | 83 Degree Boom Angle | | | 70 Degree Boom Angle | | | Fixed Jib Oper. Rad. Feet |
|---------------------------|-----------------------|----------------------------|---------------------------|-----------------------|----------------------------|---------------------------|-----------------------|----------------------------|---------------------------|---------------------------|
| | Luffing Jib Ang. Deg. | Fixed Jib Point Elev. Feet | Fixed Jib Capacity Pounds | Luffing Jib Ang. Deg. | Fixed Jib Point Elev. Feet | Fixed Jib Capacity Pounds | Luffing Jib Ang. Deg. | Fixed Jib Point Elev. Feet | Fixed Jib Capacity Pounds | |
| 65 | 75.1 | 372.0 | 25,600 * | | | | | | | 65 |
| 70 | 73.5 | 370.5 | 25,200 * | | | | | | | 70 |
| 75 | 72.0 | 368.9 | 25,000 * | | | | | | | 75 |
| 80 | 70.4 | 367.2 | 24,700 * | | | | | | | 80 |
| 85 | 68.8 | 365.3 | 24,500 * | | | | | | | 85 |
| 90 | 67.1 | 363.2 | 24,200 * | | | | | | | 90 |
| 95 | 65.5 | 360.9 | 23,800 * | 70.6 | 366.0 | 23,700 * | | | | 95 |
| 100 | 63.8 | 358.5 | 23,000 * | 69.0 | 364.1 | 23,600 * | | | | 100 |
| 105 | 62.1 | 355.9 | 22,300 * | 67.4 | 362.0 | 23,500 * | | | | 105 |
| 110 | 60.4 | 353.1 | 21,600 * | 65.7 | 359.8 | 23,200 * | | | | 110 |
| 115 | 58.7 | 350.1 | 21,000 * | 64.0 | 357.4 | 23,100 * | | | | 115 |
| 120 | 56.9 | 346.9 | 20,300 * | 62.4 | 354.8 | 22,700 * | | | | 120 |
| 125 | 55.1 | 343.5 | 19,800 * | 60.6 | 352.1 | 22,000 * | | | | 125 |
| 130 | 53.2 | 339.8 | 19,200 * | 58.9 | 349.1 | 21,400 * | | | | 130 |
| 135 | 51.3 | 335.8 | 18,700 * | 57.1 | 345.9 | 20,700 * | | | | 135 |
| 140 | 49.3 | 331.6 | 18,300 * | 55.3 | 342.5 | 20,200 * | | | | 140 |
| 145 | 47.3 | 327.1 | 17,800 * | 53.4 | 338.8 | 19,600 * | | | | 145 |
| 150 | 45.2 | 322.2 | 17,400 * | 51.5 | 334.9 | 19,100 * | | | | 150 |
| 155 | 43.0 | 317.0 | 17,000 * | 49.6 | 330.7 | 18,600 * | | | | 155 |
| 160 | 40.8 | 311.3 | 16,400 * | 47.6 | 326.3 | 18,100 * | | | | 160 |
| 165 | 38.4 | 305.1 | 15,800 * | 45.5 | 321.4 | 17,700 * | | | | 165 |
| 170 | 35.9 | 298.4 | 15,200 * | 43.3 | 316.2 | 17,300 * | | | | 170 |
| 175 | 33.2 | 291.0 | 14,700 * | 41.1 | 310.6 | 16,900 * | 56.9 | 335.6 | 14,400 | 175 |
| 180 | 30.3 | 282.8 | 14,100 * | 38.7 | 304.5 | 16,600 * | 55.1 | 332.1 | 13,700 | 180 |
| 185 | 27.1 | 273.4 | 13,600 * | 36.2 | 297.9 | 16,300 * | 53.3 | 328.5 | 13,100 | 185 |
| 190 | 23.5 | 262.6 | 13,100 * | 33.5 | 290.6 | 15,900 * | 51.3 | 324.5 | 12,500 | 190 |
| 195 | 19.4 | 249.6 | 12,700 * | 30.7 | 282.4 | 15,700 * | 49.4 | 320.3 | 12,000 | 195 |
| 200 | 14.0 | 232.3 | 12,300 * | 27.5 | 273.3 | 15,400 * | 47.4 | 315.8 | 11,500 | 200 |
| 205 | 3.4 | 197.5 | 11,900 * | 24.0 | 262.7 | 15,100 * | 45.3 | 310.9 | 11,000 | 205 |
| 210 | | | | 19.9 | 250.0 | 14,900 * | 43.1 | 305.7 | 10,600 | 210 |
| 220 | | | | 6.0 | 204.8 | 14,400 * | 38.5 | 293.9 | 9,700 | 220 |
| 230 | | | | | | | 33.3 | 279.8 | 8,900 | 230 |
| 240 | | | | | | | 27.2 | 262.3 | 8,200 | 240 |
| 250 | | | | | | | 19.5 | 238.6 | 7,500 | 250 |
| 260 | | | | | | | 4.2 | 188.6 | 6,800 | 260 |

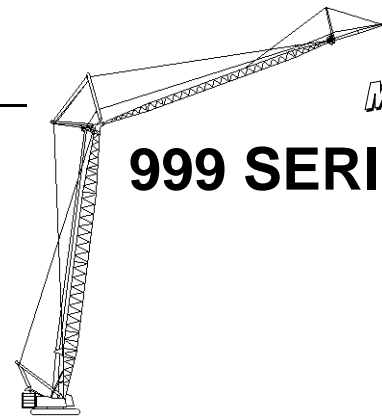


Liftcrane Fixed Jib Capacities

999 SERIES 2

Fixed Jib No. 138 At
3 Degree Offset Angle On
Luffing Jib No. 135 On
Boom No. 82 or 22EL
184,600 Lb. Crane Counterweight
44,000 Lb. Carbody Counterweight
360 Degree Rating

Designed And Tested
With The Intent To
Be In The Scope of
ANSI B30.5



180 Ft. Boom, 170 Ft. Luffing Jib, 30 Ft. Fixed Jib

| Fixed Jib Oper. Rad. Feet | 88 Degree Boom Angle | | | 83 Degree Boom Angle | | | 70 Degree Boom Angle | | | Fixed Jib Oper. Rad. Feet |
|---------------------------|-----------------------|----------------------------|---------------------------|-----------------------|----------------------------|---------------------------|-----------------------|----------------------------|---------------------------|---------------------------|
| | Luffing Jib Ang. Deg. | Fixed Jib Point Elev. Feet | Fixed Jib Capacity Pounds | Luffing Jib Ang. Deg. | Fixed Jib Point Elev. Feet | Fixed Jib Capacity Pounds | Luffing Jib Ang. Deg. | Fixed Jib Point Elev. Feet | Fixed Jib Capacity Pounds | |
| 65 | 75.9 | 382.3 | 22,900 * | | | | | | | 65 |
| 70 | 74.4 | 381.0 | 22,800 * | | | | | | | 70 |
| 75 | 72.9 | 379.4 | 22,400 * | | | | | | | 75 |
| 80 | 71.4 | 377.8 | 22,100 * | | | | | | | 80 |
| 85 | 69.9 | 376.0 | 21,900 * | | | | | | | 85 |
| 90 | 68.3 | 374.0 | 21,600 * | | | | | | | 90 |
| 95 | 66.8 | 371.9 | 21,300 * | | | | | | | 95 |
| 100 | 65.2 | 369.6 | 21,100 * | 70.1 | 374.8 | 21,100 * | | | | 100 |
| 105 | 63.6 | 367.2 | 20,900 * | 68.5 | 372.9 | 20,800 * | | | | 105 |
| 110 | 62.0 | 364.6 | 20,700 * | 67.0 | 370.8 | 20,700 * | | | | 110 |
| 115 | 60.4 | 361.8 | 20,500 * | 65.4 | 368.5 | 20,500 * | | | | 115 |
| 120 | 58.7 | 358.8 | 19,900 * | 63.8 | 366.1 | 20,300 * | | | | 120 |
| 125 | 57.0 | 355.6 | 19,300 * | 62.2 | 363.5 | 20,200 * | | | | 125 |
| 130 | 55.3 | 352.2 | 18,800 * | 60.6 | 360.7 | 20,000 * | | | | 130 |
| 135 | 53.6 | 348.5 | 18,300 * | 59.0 | 357.8 | 19,900 * | | | | 135 |
| 140 | 51.8 | 344.7 | 17,800 * | 57.3 | 354.6 | 19,700 * | | | | 140 |
| 145 | 49.9 | 340.5 | 17,300 * | 55.5 | 351.2 | 19,200 * | | | | 145 |
| 150 | 48.0 | 336.1 | 16,800 * | 53.8 | 347.6 | 18,700 * | | | | 150 |
| 155 | 46.0 | 331.3 | 16,200 * | 52.0 | 343.7 | 18,200 * | | | | 155 |
| 160 | 44.0 | 326.3 | 15,700 * | 50.1 | 339.6 | 17,800 * | | | | 160 |
| 165 | 41.9 | 320.8 | 15,200 * | 48.2 | 335.2 | 17,400 * | | | | 165 |
| 170 | 39.7 | 314.9 | 14,700 * | 46.3 | 330.5 | 17,000 * | | | | 170 |
| 175 | 37.4 | 308.5 | 14,200 * | 44.3 | 325.5 | 16,600 * | | | | 175 |
| 180 | 34.9 | 301.6 | 13,700 * | 42.2 | 320.1 | 16,300 * | 57.1 | 344.3 | 13,400 | 180 |
| 185 | 32.3 | 293.9 | 13,200 * | 40.0 | 314.3 | 16,000 * | 55.4 | 340.8 | 12,800 | 185 |
| 190 | 29.5 | 285.4 | 12,800 * | 37.7 | 307.9 | 15,700 * | 53.6 | 337.2 | 12,300 | 190 |
| 195 | 26.4 | 275.8 | 12,400 * | 35.2 | 301.1 | 15,400 * | 51.8 | 333.3 | 11,700 | 195 |
| 200 | 22.9 | 264.7 | 12,000 * | 32.7 | 293.5 | 15,100 * | 50.0 | 329.2 | 11,200 | 200 |
| 205 | 18.8 | 251.2 | 11,600 * | 29.9 | 285.1 | 14,900 * | 48.1 | 324.8 | 10,700 | 205 |
| 210 | 13.6 | 233.5 | 11,300 * | 26.8 | 275.7 | 14,600 * | 46.1 | 320.1 | 10,300 | 210 |
| 220 | | | | 19.4 | 251.7 | 14,200 * | 42.0 | 309.5 | 9,400 | 220 |
| 230 | | | | 5.8 | 205.2 | 12,800 * | 37.4 | 297.3 | 8,600 | 230 |
| 240 | | | | | | | 32.4 | 282.7 | 7,900 | 240 |
| 250 | | | | | | | 26.5 | 264.6 | 7,200 | 250 |
| 260 | | | | | | | 19.0 | 240.2 | 6,600 | 260 |
| 270 | | | | | | | 4.0 | 188.9 | 6,000 | 270 |

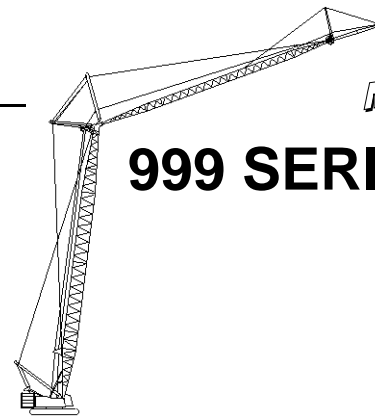


Liftcrane Fixed Jib Capacities

999 SERIES 2

Fixed Jib No. 138 At
 3 Degree Offset Angle On
 Luffing Jib No. 135 On
 Boom No. 82 or 22EL
 184,600 Lb. Crane Counterweight
 44,000 Lb. Carbody Counterweight
 360 Degree Rating

Designed And Tested
 With The Intent To
 Be In The Scope of
 ANSI B30.5



180 Ft. Boom, 140 Ft. Luffing Jib, 40 Ft. Fixed Jib

| Fixed Jib Oper. Rad. Feet | 88 Degree Boom Angle | | | 83 Degree Boom Angle | | | 70 Degree Boom Angle | | | Fixed Jib Oper. Rad. Feet |
|---------------------------|-----------------------|----------------------------|---------------------------|-----------------------|----------------------------|---------------------------|-----------------------|----------------------------|---------------------------|---------------------------|
| | Luffing Jib Ang. Deg. | Fixed Jib Point Elev. Feet | Fixed Jib Capacity Pounds | Luffing Jib Ang. Deg. | Fixed Jib Point Elev. Feet | Fixed Jib Capacity Pounds | Luffing Jib Ang. Deg. | Fixed Jib Point Elev. Feet | Fixed Jib Capacity Pounds | |
| 65 | 74.7 | 361.5 | 22,500 * | | | | | | | 65 |
| 70 | 73.0 | 360.0 | 22,200 * | | | | | | | 70 |
| 75 | 71.3 | 358.3 | 22,000 * | | | | | | | 75 |
| 80 | 69.6 | 356.4 | 21,700 * | | | | | | | 80 |
| 85 | 67.9 | 354.4 | 21,500 * | | | | | | | 85 |
| 90 | 66.2 | 352.2 | 21,200 * | | | | | | | 90 |
| 95 | 64.5 | 349.8 | 21,000 * | 69.9 | 355.3 | 21,900 * | | | | 95 |
| 100 | 62.7 | 347.2 | 20,300 * | 68.2 | 353.2 | 21,700 * | | | | 100 |
| 105 | 60.9 | 344.4 | 19,600 * | 66.4 | 351.1 | 21,500 * | | | | 105 |
| 110 | 59.0 | 341.4 | 18,900 * | 64.7 | 348.7 | 21,300 * | | | | 110 |
| 115 | 57.1 | 338.2 | 18,300 * | 62.9 | 346.1 | 20,700 * | | | | 115 |
| 120 | 55.2 | 334.7 | 17,700 * | 61.1 | 343.3 | 20,000 * | | | | 120 |
| 125 | 53.2 | 331.0 | 17,100 * | 59.2 | 340.4 | 19,300 * | | | | 125 |
| 130 | 51.2 | 326.9 | 16,600 * | 57.4 | 337.2 | 18,600 * | | | | 130 |
| 135 | 49.1 | 322.6 | 16,200 * | 55.4 | 333.7 | 18,000 * | | | | 135 |
| 140 | 46.9 | 318.0 | 15,700 * | 53.5 | 330.0 | 17,500 * | | | | 140 |
| 145 | 44.7 | 312.9 | 15,300 * | 51.4 | 326.0 | 16,900 * | | | | 145 |
| 150 | 42.3 | 307.5 | 14,900 * | 49.4 | 321.8 | 16,500 * | | | | 150 |
| 155 | 39.9 | 301.6 | 14,500 * | 47.2 | 317.2 | 16,000 * | | | | 155 |
| 160 | 37.3 | 295.1 | 14,200 * | 45.0 | 312.2 | 15,600 * | | | | 160 |
| 165 | 34.5 | 287.9 | 13,900 * | 42.6 | 306.8 | 15,200 * | | | | 165 |
| 170 | 31.6 | 280.0 | 13,600 * | 40.2 | 300.9 | 14,800 * | 57.2 | 326.8 | 15,700 | 170 |
| 175 | 28.3 | 270.9 | 13,300 * | 37.6 | 294.5 | 14,400 * | 55.2 | 323.4 | 15,000 | 175 |
| 180 | 24.6 | 260.5 | 13,100 * | 34.9 | 287.5 | 14,100 * | 53.3 | 319.6 | 14,300 | 180 |
| 185 | 20.3 | 247.8 | 12,900 * | 31.9 | 279.6 | 13,800 * | 51.2 | 315.6 | 13,700 | 185 |
| 190 | 14.7 | 230.9 | 12,700 * | 28.7 | 270.7 | 13,500 * | 49.2 | 311.3 | 13,200 | 190 |
| 195 | 3.6 | 196.3 | 12,500 * | 25.1 | 260.5 | 13,300 * | 47.0 | 306.7 | 12,600 | 195 |
| 200 | | | | 20.9 | 248.1 | 13,000 * | 44.8 | 301.7 | 12,100 | 200 |
| 205 | | | | 15.5 | 232.0 | 12,800 * | 42.4 | 296.2 | 11,600 | 205 |
| 210 | | | | 6.5 | 203.8 | 12,700 * | 40.0 | 290.3 | 11,200 | 210 |
| 220 | | | | | | | 34.6 | 276.7 | 10,300 | 220 |
| 230 | | | | | | | 28.4 | 259.8 | 9,500 | 230 |
| 240 | | | | | | | 20.4 | 236.7 | 8,700 | 240 |
| 250 | | | | | | | 4.5 | 187.6 | 8,000 | 250 |

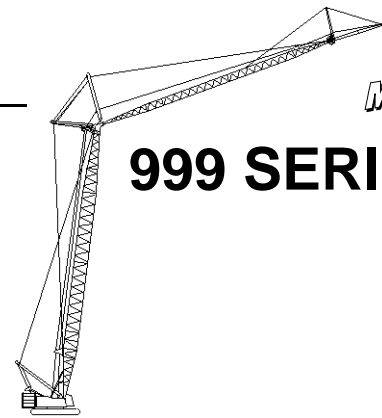


Liftcrane Fixed Jib Capacities

999 SERIES 2

Fixed Jib No. 138 At
3 Degree Offset Angle On
Luffing Jib No. 135 On
Boom No. 82 or 22EL
184,600 Lb. Crane Counterweight
44,000 Lb. Carbody Counterweight
360 Degree Rating

Designed And Tested
With The Intent To
Be In The Scope of
ANSI B30.5



180 Ft. Boom, 150 Ft. Luffing Jib, 40 Ft. Fixed Jib

| Fixed Jib Oper. Rad. Feet | 88 Degree Boom Angle | | | 83 Degree Boom Angle | | | 70 Degree Boom Angle | | | Fixed Jib Oper. Rad. Feet |
|---------------------------|-----------------------|----------------------------|---------------------------|-----------------------|----------------------------|---------------------------|-----------------------|----------------------------|---------------------------|---------------------------|
| | Luffing Jib Ang. Deg. | Fixed Jib Point Elev. Feet | Fixed Jib Capacity Pounds | Luffing Jib Ang. Deg. | Fixed Jib Point Elev. Feet | Fixed Jib Capacity Pounds | Luffing Jib Ang. Deg. | Fixed Jib Point Elev. Feet | Fixed Jib Capacity Pounds | |
| 65 | 75.5 | 371.9 | 22,100 * | | | | | | | 65 |
| 70 | 73.9 | 370.5 | 21,800 * | | | | | | | 70 |
| 75 | 72.4 | 368.9 | 21,600 * | | | | | | | 75 |
| 80 | 70.8 | 367.1 | 21,300 * | | | | | | | 80 |
| 85 | 69.2 | 365.2 | 21,100 * | | | | | | | 85 |
| 90 | 67.5 | 363.1 | 20,900 * | | | | | | | 90 |
| 95 | 65.9 | 360.9 | 20,600 * | 71.0 | 365.9 | 21,500 * | | | | 95 |
| 100 | 64.2 | 358.5 | 19,900 * | 69.4 | 364.0 | 21,300 * | | | | 100 |
| 105 | 62.5 | 355.9 | 19,200 * | 67.7 | 362.0 | 21,100 * | | | | 105 |
| 110 | 60.8 | 353.1 | 18,600 * | 66.1 | 359.8 | 21,000 * | | | | 110 |
| 115 | 59.1 | 350.1 | 18,000 * | 64.4 | 357.4 | 20,300 * | | | | 115 |
| 120 | 57.3 | 346.8 | 17,400 * | 62.7 | 354.8 | 19,600 * | | | | 120 |
| 125 | 55.5 | 343.4 | 16,900 * | 61.0 | 352.0 | 18,900 * | | | | 125 |
| 130 | 53.6 | 339.7 | 16,400 * | 59.3 | 349.0 | 18,300 * | | | | 130 |
| 135 | 51.7 | 335.8 | 15,900 * | 57.5 | 345.8 | 17,700 * | | | | 135 |
| 140 | 49.7 | 331.6 | 15,500 * | 55.7 | 342.4 | 17,200 * | | | | 140 |
| 145 | 47.7 | 327.0 | 15,100 * | 53.8 | 338.8 | 16,700 * | | | | 145 |
| 150 | 45.6 | 322.1 | 14,700 * | 51.9 | 334.9 | 16,200 * | | | | 150 |
| 155 | 43.4 | 316.9 | 14,300 * | 50.0 | 330.7 | 15,800 * | | | | 155 |
| 160 | 41.1 | 311.2 | 14,000 * | 48.0 | 326.2 | 15,300 * | | | | 160 |
| 165 | 38.8 | 305.1 | 13,700 * | 45.9 | 321.4 | 14,900 * | | | | 165 |
| 170 | 36.2 | 298.3 | 13,400 * | 43.7 | 316.2 | 14,600 * | | | | 170 |
| 175 | 33.6 | 290.9 | 13,100 * | 41.4 | 310.5 | 14,200 * | 57.3 | 335.5 | 14,800 | 175 |
| 180 | 30.7 | 282.7 | 12,900 * | 39.1 | 304.4 | 13,900 * | 55.5 | 332.1 | 14,200 | 180 |
| 185 | 27.5 | 273.3 | 12,600 * | 36.6 | 297.8 | 13,600 * | 53.6 | 328.4 | 13,600 | 185 |
| 190 | 23.9 | 262.5 | 12,400 * | 33.9 | 290.5 | 13,300 * | 51.7 | 324.5 | 13,000 | 190 |
| 195 | 19.7 | 249.4 | 12,200 * | 31.1 | 282.3 | 13,000 * | 49.8 | 320.2 | 12,500 | 195 |
| 200 | 14.3 | 232.1 | 11,800 * | 27.9 | 273.2 | 12,800 * | 47.7 | 315.7 | 12,000 | 200 |
| 205 | | | | 24.4 | 262.6 | 12,600 * | 45.7 | 310.9 | 11,500 | 205 |
| 210 | 3.5 | 196.5 | 11,400 * | 20.3 | 249.8 | 12,400 * | 43.5 | 305.6 | 11,000 | 210 |
| 220 | | | | 6.3 | 204.3 | 12,000 * | 38.8 | 293.8 | 10,200 | 220 |
| 230 | | | | | | | 33.6 | 279.7 | 9,400 | 230 |
| 240 | | | | | | | 27.6 | 262.2 | 8,600 | 240 |
| 250 | | | | | | | 19.8 | 238.4 | 8,000 | 250 |
| 260 | | | | | | | 4.3 | 187.8 | 7,200 | 260 |

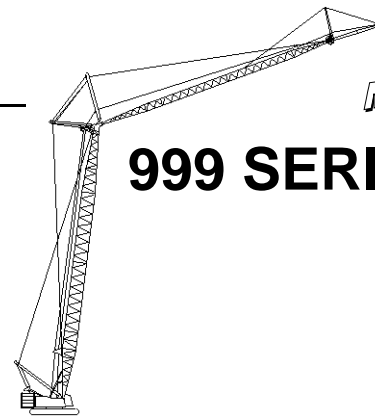


Liftcrane Fixed Jib Capacities

999 SERIES 2

Fixed Jib No. 138 At
 3 Degree Offset Angle On
 Luffing Jib No. 135 On
 Boom No. 82 or 22EL
 184,600 Lb. Crane Counterweight
 44,000 Lb. Carbody Counterweight
 360 Degree Rating

Designed And Tested
 With The Intent To
 Be In The Scope of
 ANSI B30.5



180 Ft. Boom, 160 Ft. Luffing Jib, 40 Ft. Fixed Jib

| Fixed Jib Oper. Rad. Feet | 88 Degree Boom Angle | | | 83 Degree Boom Angle | | | 70 Degree Boom Angle | | | Fixed Jib Oper. Rad. Feet |
|---------------------------|-----------------------|----------------------------|---------------------------|-----------------------|----------------------------|---------------------------|-----------------------|----------------------------|---------------------------|---------------------------|
| | Luffing Jib Ang. Deg. | Fixed Jib Point Elev. Feet | Fixed Jib Capacity Pounds | Luffing Jib Ang. Deg. | Fixed Jib Point Elev. Feet | Fixed Jib Capacity Pounds | Luffing Jib Ang. Deg. | Fixed Jib Point Elev. Feet | Fixed Jib Capacity Pounds | |
| 70 | 74.8 | 380.9 | 21,300 * | | | | | | | 70 |
| 75 | 73.3 | 379.4 | 21,100 * | | | | | | | 75 |
| 80 | 71.8 | 377.7 | 20,900 * | | | | | | | 80 |
| 85 | 70.2 | 375.9 | 20,700 * | | | | | | | 85 |
| 90 | 68.7 | 374.0 | 20,500 * | | | | | | | 90 |
| 95 | 67.2 | 371.9 | 20,200 * | | | | | | | 95 |
| 100 | 65.6 | 369.6 | 19,500 * | 70.4 | 374.7 | 20,600 * | | | | 100 |
| 105 | 64.0 | 367.1 | 18,800 * | 68.9 | 372.8 | 20,400 * | | | | 105 |
| 110 | 62.4 | 364.5 | 18,200 * | 67.4 | 370.7 | 20,300 * | | | | 110 |
| 115 | 60.8 | 361.7 | 17,600 * | 65.8 | 368.5 | 19,900 * | | | | 115 |
| 120 | 59.1 | 358.7 | 17,100 * | 64.2 | 366.0 | 19,200 * | | | | 120 |
| 125 | 57.4 | 355.5 | 16,600 * | 62.6 | 363.4 | 18,600 * | | | | 125 |
| 130 | 55.7 | 352.1 | 16,100 * | 61.0 | 360.7 | 18,000 * | | | | 130 |
| 135 | 53.9 | 348.5 | 15,700 * | 59.3 | 357.7 | 17,400 * | | | | 135 |
| 140 | 52.1 | 344.6 | 15,300 * | 57.6 | 354.5 | 16,900 * | | | | 140 |
| 145 | 50.3 | 340.5 | 14,900 * | 55.9 | 351.1 | 16,400 * | | | | 145 |
| 150 | 48.4 | 336.0 | 14,500 * | 54.2 | 347.5 | 16,000 * | | | | 150 |
| 155 | 46.4 | 331.3 | 14,200 * | 52.4 | 343.7 | 15,500 * | | | | 155 |
| 160 | 44.4 | 326.2 | 13,800 * | 50.5 | 339.6 | 15,100 * | | | | 160 |
| 165 | 42.2 | 320.7 | 13,500 * | 48.6 | 335.2 | 14,700 * | | | | 165 |
| 170 | 40.0 | 314.8 | 13,200 * | 46.7 | 330.5 | 14,400 * | | | | 170 |
| 175 | 37.7 | 308.4 | 13,000 * | 44.6 | 325.4 | 14,000 * | | | | 175 |
| 180 | 35.3 | 301.5 | 12,700 * | 42.5 | 320.0 | 13,700 * | 57.5 | 344.2 | 13,800 | 180 |
| 185 | 32.7 | 293.8 | 12,500 * | 40.3 | 314.2 | 13,400 * | 55.7 | 340.8 | 13,200 | 185 |
| 190 | 29.9 | 285.3 | 12,300 * | 38.0 | 307.9 | 13,200 * | 54.0 | 337.2 | 12,600 | 190 |
| 195 | 26.8 | 275.7 | 12,000 * | 35.6 | 301.0 | 12,900 * | 52.2 | 333.3 | 12,100 | 195 |
| 200 | 23.3 | 264.5 | 11,600 * | 33.0 | 293.4 | 12,600 * | 50.3 | 329.1 | 11,600 | 200 |
| 205 | 19.2 | 251.1 | 11,200 * | 30.2 | 285.0 | 12,400 * | 48.4 | 324.7 | 11,100 | 205 |
| 210 | 13.9 | 233.3 | 10,900 * | 27.2 | 275.5 | 12,200 * | 46.5 | 320.0 | 10,600 | 210 |
| 220 | | | | 19.8 | 251.5 | 11,800 * | 42.3 | 309.5 | 9,800 | 220 |
| 230 | | | | 6.1 | 204.7 | 11,600 * | 37.8 | 297.2 | 9,000 | 230 |
| 240 | | | | | | | 32.8 | 282.6 | 8,300 | 240 |
| 250 | | | | | | | 26.9 | 264.5 | 7,600 | 250 |
| 260 | | | | | | | 19.3 | 240.1 | 7,000 | 260 |
| 270 | | | | | | | 4.2 | 188.1 | 6,300 | 270 |

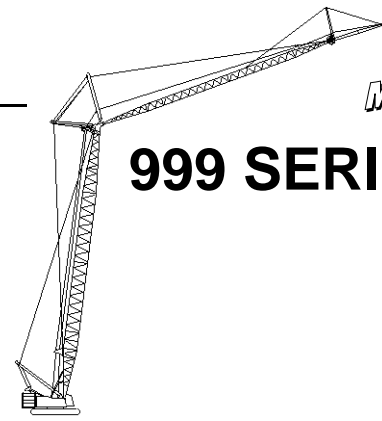


Liftcrane Fixed Jib Capacities

999 SERIES 2

Fixed Jib No. 138 At
3 Degree Offset Angle On
Luffing Jib No. 135 On
Boom No. 82 or 22EL
184,600 Lb. Crane Counterweight
44,000 Lb. Carbody Counterweight
360 Degree Rating

Designed And Tested
With The Intent To
Be In The Scope of
ANSI B30.5



180 Ft. Boom, 170 Ft. Luffing Jib, 40 Ft. Fixed Jib

| Fixed Jib Oper. Rad. Feet | 88 Degree Boom Angle | | | 83 Degree Boom Angle | | | 70 Degree Boom Angle | | | Fixed Jib Oper. Rad. Feet |
|---------------------------|-----------------------|----------------------------|---------------------------|-----------------------|----------------------------|---------------------------|-----------------------|----------------------------|---------------------------|---------------------------|
| | Luffing Jib Ang. Deg. | Fixed Jib Point Elev. Feet | Fixed Jib Capacity Pounds | Luffing Jib Ang. Deg. | Fixed Jib Point Elev. Feet | Fixed Jib Capacity Pounds | Luffing Jib Ang. Deg. | Fixed Jib Point Elev. Feet | Fixed Jib Capacity Pounds | |
| 70 | 75.5 | 391.3 | 20,200 * | | | | | | | 70 |
| 75 | 74.1 | 389.9 | 19,900 * | | | | | | | 75 |
| 80 | 72.7 | 388.3 | 19,700 * | | | | | | | 80 |
| 85 | 71.2 | 386.6 | 19,400 * | | | | | | | 85 |
| 90 | 69.8 | 384.7 | 19,200 * | | | | | | | 90 |
| 95 | 68.3 | 382.7 | 18,900 * | | | | | | | 95 |
| 100 | 66.8 | 380.6 | 18,700 * | | | | | | | 100 |
| 105 | 65.3 | 378.3 | 18,400 * | 70.0 | 383.5 | 18,500 * | | | | 105 |
| 110 | 63.8 | 375.8 | 17,800 * | 68.5 | 381.6 | 18,300 * | | | | 110 |
| 115 | 62.3 | 373.2 | 17,200 * | 67.0 | 379.4 | 18,200 * | | | | 115 |
| 120 | 60.7 | 370.4 | 16,700 * | 65.5 | 377.2 | 18,000 * | | | | 120 |
| 125 | 59.1 | 367.4 | 16,200 * | 64.0 | 374.7 | 17,900 * | | | | 125 |
| 130 | 57.5 | 364.2 | 15,800 * | 62.5 | 372.1 | 17,500 * | | | | 130 |
| 135 | 55.9 | 360.8 | 15,400 * | 60.9 | 369.3 | 17,000 * | | | | 135 |
| 140 | 54.2 | 357.2 | 15,000 * | 59.4 | 366.4 | 16,500 * | | | | 140 |
| 145 | 52.5 | 353.4 | 14,600 * | 57.7 | 363.2 | 16,100 * | | | | 145 |
| 150 | 50.8 | 349.3 | 14,200 * | 56.1 | 359.8 | 15,600 * | | | | 150 |
| 155 | 49.0 | 345.0 | 13,900 * | 54.4 | 356.3 | 15,200 * | | | | 155 |
| 160 | 47.1 | 340.4 | 13,600 * | 52.7 | 352.5 | 14,800 * | | | | 160 |
| 165 | 45.2 | 335.4 | 13,300 * | 51.0 | 348.4 | 14,500 * | | | | 165 |
| 170 | 43.2 | 330.1 | 13,000 * | 49.2 | 344.1 | 14,100 * | | | | 170 |
| 175 | 41.2 | 324.5 | 12,700 * | 47.4 | 339.5 | 13,800 * | | | | 175 |
| 180 | 39.0 | 318.3 | 12,500 * | 45.5 | 334.6 | 13,500 * | | | | 180 |
| 185 | 36.8 | 311.7 | 12,300 * | 43.5 | 329.4 | 13,200 * | 57.6 | 352.9 | 12,900 | 185 |
| 190 | 34.4 | 304.5 | 12,000 * | 41.4 | 323.8 | 12,900 * | 55.9 | 349.5 | 12,300 | 190 |
| 195 | 31.8 | 296.6 | 11,700 * | 39.3 | 317.7 | 12,700 * | 54.3 | 345.9 | 11,800 | 195 |
| 200 | 29.1 | 287.8 | 11,400 * | 37.1 | 311.2 | 12,400 * | 52.6 | 342.1 | 11,300 | 200 |
| 205 | 26.1 | 277.9 | 11,000 * | 34.7 | 304.1 | 12,200 * | 50.8 | 338.0 | 10,800 | 205 |
| 210 | 22.7 | 266.5 | 10,600 * | 32.2 | 296.2 | 12,000 * | 49.0 | 333.7 | 10,400 | 210 |
| 220 | 13.6 | 234.4 | 10,000 * | 26.5 | 277.8 | 11,600 * | 45.3 | 324.1 | 9,500 | 220 |
| 230 | | | | 19.3 | 253.2 | 11,300 * | 41.2 | 313.2 | 8,700 | 230 |
| 240 | | | | 5.9 | 205.1 | 11,000 * | 36.8 | 300.5 | 8,000 | 240 |
| 250 | | | | | | | 31.9 | 285.4 | 7,300 | 250 |
| 260 | | | | | | | 26.2 | 266.8 | 6,700 | 260 |
| 270 | | | | | | | 18.8 | 241.7 | 6,100 | 270 |
| 280 | | | | | | | 4.1 | 188.4 | 5,500 | 280 |

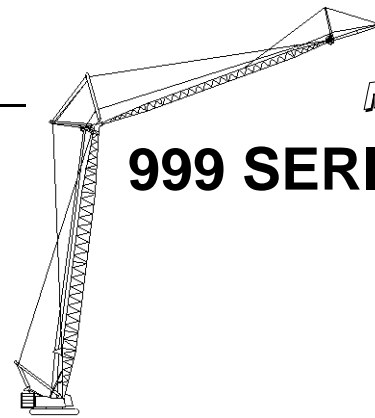


Liftcrane Fixed Jib Capacities

999 SERIES 2

Fixed Jib No. 138 At
3 Degree Offset Angle On
Luffing Jib No. 135 On
Boom No. 82 or 22EL
184,600 Lb. Crane Counterweight
44,000 Lb. Carbody Counterweight
360 Degree Rating

Designed And Tested
With The Intent To
Be In The Scope of
ANSI B30.5



180 Ft. Boom, 140 Ft. Luffing Jib, 50 Ft. Fixed Jib

| Fixed Jib Oper. Rad. Feet | 88 Degree Boom Angle | | | 83 Degree Boom Angle | | | 70 Degree Boom Angle | | | Fixed Jib Oper. Rad. Feet |
|---------------------------|-----------------------|----------------------------|---------------------------|-----------------------|----------------------------|---------------------------|-----------------------|----------------------------|---------------------------|---------------------------|
| | Luffing Jib Ang. Deg. | Fixed Jib Point Elev. Feet | Fixed Jib Capacity Pounds | Luffing Jib Ang. Deg. | Fixed Jib Point Elev. Feet | Fixed Jib Capacity Pounds | Luffing Jib Ang. Deg. | Fixed Jib Point Elev. Feet | Fixed Jib Capacity Pounds | |
| 65 | 75.6 | 371.9 | 19,300 * | | | | | | | 65 |
| 70 | 74.0 | 370.5 | 19,000 * | | | | | | | 70 |
| 75 | 72.5 | 368.9 | 18,800 * | | | | | | | 75 |
| 80 | 70.9 | 367.1 | 18,500 * | | | | | | | 80 |
| 85 | 69.3 | 365.2 | 18,300 * | | | | | | | 85 |
| 90 | 67.6 | 363.1 | 18,100 * | | | | | | | 90 |
| 95 | 66.0 | 360.9 | 17,800 * | | | | | | | 95 |
| 100 | 64.3 | 358.5 | 17,600 * | 69.5 | 364.0 | 18,500 * | | | | 100 |
| 105 | 62.6 | 355.9 | 17,300 * | 67.8 | 362.0 | 18,300 * | | | | 105 |
| 110 | 60.9 | 353.1 | 16,700 * | 66.2 | 359.8 | 18,100 * | | | | 110 |
| 115 | 59.2 | 350.1 | 16,100 * | 64.5 | 357.4 | 17,900 * | | | | 115 |
| 120 | 57.4 | 346.9 | 15,500 * | 62.8 | 354.8 | 17,600 * | | | | 120 |
| 125 | 55.5 | 343.4 | 15,000 * | 61.1 | 352.0 | 17,000 * | | | | 125 |
| 130 | 53.7 | 339.7 | 14,600 * | 59.4 | 349.0 | 16,400 * | | | | 130 |
| 135 | 51.8 | 335.8 | 14,100 * | 57.6 | 345.9 | 15,900 * | | | | 135 |
| 140 | 49.8 | 331.6 | 13,700 * | 55.8 | 342.4 | 15,300 * | | | | 140 |
| 145 | 47.8 | 327.0 | 13,300 * | 53.9 | 338.8 | 14,800 * | | | | 145 |
| 150 | 45.7 | 322.2 | 13,000 * | 52.0 | 334.9 | 14,400 * | | | | 150 |
| 155 | 43.5 | 316.9 | 12,600 * | 50.1 | 330.7 | 14,000 * | | | | 155 |
| 160 | 41.2 | 311.2 | 12,300 * | 48.0 | 326.2 | 13,600 * | | | | 160 |
| 165 | 38.9 | 305.1 | 12,000 * | 46.0 | 321.4 | 13,200 * | | | | 165 |
| 170 | 36.3 | 298.3 | 11,700 * | 43.8 | 316.2 | 12,900 * | | | | 170 |
| 175 | 33.7 | 290.9 | 11,500 * | 41.5 | 310.6 | 12,500 * | 57.4 | 335.5 | 15,000 | 175 |
| 180 | 30.8 | 282.7 | 11,200 * | 39.2 | 304.5 | 12,200 * | 55.6 | 332.1 | 14,400 | 180 |
| 185 | 27.6 | 273.4 | 11,000 * | 36.7 | 297.8 | 11,900 * | 53.7 | 328.4 | 13,800 | 185 |
| 190 | 24.0 | 262.5 | 10,800 * | 34.0 | 290.5 | 11,700 * | 51.8 | 324.5 | 13,200 | 190 |
| 195 | 19.8 | 249.5 | 10,600 * | 31.2 | 282.4 | 11,400 * | 49.9 | 320.3 | 12,700 | 195 |
| 200 | 14.4 | 232.1 | 10,500 * | 28.0 | 273.2 | 11,200 * | 47.8 | 315.7 | 12,200 | 200 |
| 205 | 3.6 | 196.6 | 10,400 * | 24.5 | 262.6 | 10,900 * | 45.8 | 310.9 | 11,700 | 205 |
| 210 | | | | 20.4 | 249.9 | 10,800 * | 43.6 | 305.6 | 11,200 | 210 |
| 220 | | | | 6.4 | 204.3 | 10,400 * | 38.9 | 293.8 | 10,400 | 220 |
| 230 | | | | | | | 33.7 | 279.7 | 9,600 | 230 |
| 240 | | | | | | | 27.7 | 262.2 | 8,800 | 240 |
| 250 | | | | | | | 19.9 | 238.4 | 8,200 | 250 |
| 260 | | | | | | | 4.5 | 188.0 | 7,500 | 260 |

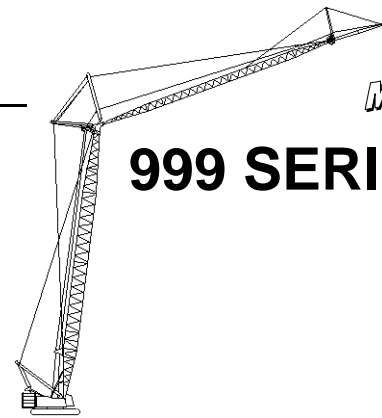


Liftcrane Fixed Jib Capacities

999 SERIES 2

Fixed Jib No. 138 At
3 Degree Offset Angle On
Luffing Jib No. 135 On
Boom No. 82 or 22EL
184,600 Lb. Crane Counterweight
44,000 Lb. Carbody Counterweight
360 Degree Rating

Designed And Tested
With The Intent To
Be In The Scope of
ANSI B30.5



180 Ft. Boom, 150 Ft. Luffing Jib, 50 Ft. Fixed Jib

| Fixed Jib Oper. Rad. Feet | 88 Degree Boom Angle | | | 83 Degree Boom Angle | | | 70 Degree Boom Angle | | | Fixed Jib Oper. Rad. Feet |
|---------------------------|-----------------------|----------------------------|---------------------------|-----------------------|----------------------------|---------------------------|-----------------------|----------------------------|---------------------------|---------------------------|
| | Luffing Jib Ang. Deg. | Fixed Jib Point Elev. Feet | Fixed Jib Capacity Pounds | Luffing Jib Ang. Deg. | Fixed Jib Point Elev. Feet | Fixed Jib Capacity Pounds | Luffing Jib Ang. Deg. | Fixed Jib Point Elev. Feet | Fixed Jib Capacity Pounds | |
| 70 | 74.8 | 380.9 | 18,700 * | | | | | | | 70 |
| 75 | 73.4 | 379.4 | 18,500 * | | | | | | | 75 |
| 80 | 71.9 | 377.7 | 18,200 * | | | | | | | 80 |
| 85 | 70.3 | 375.9 | 18,000 * | | | | | | | 85 |
| 90 | 68.8 | 374.0 | 17,800 * | | | | | | | 90 |
| 95 | 67.3 | 371.9 | 17,600 * | | | | | | | 95 |
| 100 | 65.7 | 369.6 | 17,400 * | 70.5 | 374.8 | 18,200 * | | | | 100 |
| 105 | 64.1 | 367.2 | 17,000 * | 69.0 | 372.8 | 18,000 * | | | | 105 |
| 110 | 62.5 | 364.5 | 16,400 * | 67.5 | 370.7 | 17,800 * | | | | 110 |
| 115 | 60.9 | 361.7 | 15,800 * | 65.9 | 368.5 | 17,600 * | | | | 115 |
| 120 | 59.2 | 358.7 | 15,300 * | 64.3 | 366.0 | 17,300 * | | | | 120 |
| 125 | 57.5 | 355.5 | 14,800 * | 62.7 | 363.4 | 16,700 * | | | | 125 |
| 130 | 55.8 | 352.1 | 14,300 * | 61.1 | 360.7 | 16,100 * | | | | 130 |
| 135 | 54.0 | 348.5 | 13,900 * | 59.4 | 357.7 | 15,600 * | | | | 135 |
| 140 | 52.2 | 344.6 | 13,500 * | 57.7 | 354.5 | 15,100 * | | | | 140 |
| 145 | 50.4 | 340.5 | 13,100 * | 56.0 | 351.1 | 14,600 * | | | | 145 |
| 150 | 48.5 | 336.0 | 12,800 * | 54.2 | 347.5 | 14,200 * | | | | 150 |
| 155 | 46.5 | 331.3 | 12,500 * | 52.4 | 343.7 | 13,800 * | | | | 155 |
| 160 | 44.5 | 326.2 | 12,100 * | 50.6 | 339.6 | 13,400 * | | | | 160 |
| 165 | 42.3 | 320.7 | 11,900 * | 48.7 | 335.2 | 13,000 * | | | | 165 |
| 170 | 40.1 | 314.8 | 11,600 * | 46.7 | 330.5 | 12,700 * | | | | 170 |
| 175 | 37.8 | 308.5 | 11,300 * | 44.7 | 325.4 | 12,300 * | | | | 175 |
| 180 | 35.4 | 301.5 | 11,100 * | 42.6 | 320.0 | 12,000 * | 57.6 | 344.2 | 14,200 | 180 |
| 185 | 32.8 | 293.8 | 10,800 * | 40.4 | 314.2 | 11,800 * | 55.8 | 340.8 | 13,600 | 185 |
| 190 | 29.9 | 285.3 | 10,600 * | 38.1 | 307.9 | 11,500 * | 54.1 | 337.2 | 13,100 | 190 |
| 195 | 26.9 | 275.7 | 10,400 * | 35.7 | 301.0 | 11,200 * | 52.3 | 333.3 | 12,500 | 195 |
| 200 | 23.4 | 264.5 | 10,300 * | 33.1 | 293.4 | 11,000 * | 50.4 | 329.1 | 12,000 | 200 |
| 205 | 19.3 | 251.1 | 10,100 * | 30.3 | 285.0 | 10,800 * | 48.5 | 324.7 | 11,500 | 205 |
| 210 | 14.0 | 233.3 | 9,900 * | 27.3 | 275.6 | 10,600 * | 46.5 | 320.0 | 11,100 | 210 |
| 220 | | | | 19.9 | 251.6 | 10,200 * | 42.4 | 309.5 | 10,200 | 220 |
| 230 | | | | 6.2 | 204.8 | 9,900 * | 37.9 | 297.2 | 9,400 | 230 |
| 240 | | | | | | | 32.8 | 282.6 | 8,700 | 240 |
| 250 | | | | | | | 27.0 | 264.5 | 8,100 | 250 |
| 260 | | | | | | | 19.4 | 240.1 | 7,400 | 260 |
| 270 | | | | | | | 4.3 | 188.2 | 6,800 | 270 |

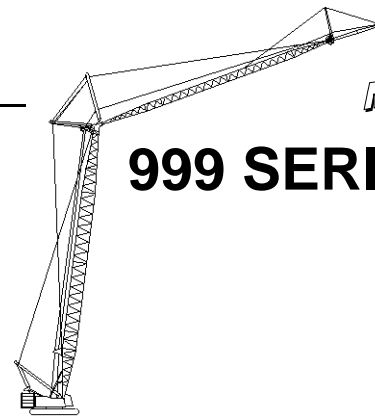


Liftcrane Fixed Jib Capacities

999 SERIES 2

Fixed Jib No. 138 At
3 Degree Offset Angle On
Luffing Jib No. 135 On
Boom No. 82 or 22EL
184,600 Lb. Crane Counterweight
44,000 Lb. Carbody Counterweight
360 Degree Rating

Designed And Tested
With The Intent To
Be In The Scope of
ANSI B30.5



180 Ft. Boom, 160 Ft. Luffing Jib, 50 Ft. Fixed Jib

| Fixed Jib Oper. Rad. Feet | 88 Degree Boom Angle | | | 83 Degree Boom Angle | | | 70 Degree Boom Angle | | | Fixed Jib Oper. Rad. Feet |
|---------------------------|-----------------------|----------------------------|---------------------------|-----------------------|----------------------------|---------------------------|-----------------------|----------------------------|---------------------------|---------------------------|
| | Luffing Jib Ang. Deg. | Fixed Jib Point Elev. Feet | Fixed Jib Capacity Pounds | Luffing Jib Ang. Deg. | Fixed Jib Point Elev. Feet | Fixed Jib Capacity Pounds | Luffing Jib Ang. Deg. | Fixed Jib Point Elev. Feet | Fixed Jib Capacity Pounds | |
| 70 | 75.6 | 391.3 | 18,300 * | | | | | | | 70 |
| 75 | 74.2 | 389.9 | 18,100 * | | | | | | | 75 |
| 80 | 72.7 | 388.3 | 17,900 * | | | | | | | 80 |
| 85 | 71.3 | 386.6 | 17,700 * | | | | | | | 85 |
| 90 | 69.9 | 384.7 | 17,400 * | | | | | | | 90 |
| 95 | 68.4 | 382.7 | 17,200 * | | | | | | | 95 |
| 100 | 66.9 | 380.6 | 16,900 * | | | | | | | 100 |
| 105 | 65.4 | 378.3 | 16,600 * | 70.0 | 383.6 | 17,000 * | | | | 105 |
| 110 | 63.9 | 375.8 | 16,100 * | 68.6 | 381.6 | 16,800 * | | | | 110 |
| 115 | 62.4 | 373.2 | 15,500 * | 67.1 | 379.4 | 16,600 * | | | | 115 |
| 120 | 60.8 | 370.4 | 15,000 * | 65.6 | 377.2 | 16,500 * | | | | 120 |
| 125 | 59.2 | 367.4 | 14,600 * | 64.1 | 374.7 | 16,200 * | | | | 125 |
| 130 | 57.6 | 364.2 | 14,100 * | 62.6 | 372.1 | 15,800 * | | | | 130 |
| 135 | 56.0 | 360.8 | 13,700 * | 61.0 | 369.3 | 15,300 * | | | | 135 |
| 140 | 54.3 | 357.2 | 13,300 * | 59.4 | 366.4 | 14,800 * | | | | 140 |
| 145 | 52.6 | 353.4 | 13,000 * | 57.8 | 363.2 | 14,400 * | | | | 145 |
| 150 | 50.8 | 349.3 | 12,600 * | 56.2 | 359.9 | 14,000 * | | | | 150 |
| 155 | 49.1 | 345.0 | 12,300 * | 54.5 | 356.3 | 13,600 * | | | | 155 |
| 160 | 47.2 | 340.4 | 12,000 * | 52.8 | 352.5 | 13,200 * | | | | 160 |
| 165 | 45.3 | 335.4 | 11,700 * | 51.1 | 348.4 | 12,800 * | | | | 165 |
| 170 | 43.3 | 330.1 | 11,400 * | 49.3 | 344.1 | 12,500 * | | | | 170 |
| 175 | 41.3 | 324.5 | 11,200 * | 47.4 | 339.5 | 12,200 * | | | | 175 |
| 180 | 39.1 | 318.4 | 10,900 * | 45.5 | 334.6 | 11,900 * | | | | 180 |
| 185 | 36.9 | 311.7 | 10,700 * | 43.6 | 329.4 | 11,600 * | 57.7 | 352.9 | 13,200 | 185 |
| 190 | 34.5 | 304.5 | 10,500 * | 41.5 | 323.8 | 11,300 * | 56.0 | 349.5 | 12,700 | 190 |
| 195 | 31.9 | 296.6 | 10,300 * | 39.4 | 317.7 | 11,100 * | 54.4 | 345.9 | 12,100 | 195 |
| 200 | 29.2 | 287.9 | 10,100 * | 37.2 | 311.2 | 10,900 * | 52.7 | 342.1 | 11,600 | 200 |
| 205 | 26.2 | 277.9 | 9,900 * | 34.8 | 304.1 | 10,600 * | 50.9 | 338.0 | 11,200 | 205 |
| 210 | 22.8 | 266.5 | 9,800 * | 32.3 | 296.3 | 10,400 * | 49.1 | 333.7 | 10,700 | 210 |
| 220 | 13.6 | 234.4 | 9,500 * | 26.6 | 277.9 | 10,100 * | 45.3 | 324.1 | 9,800 | 220 |
| 230 | | | | 19.3 | 253.2 | 9,700 * | 41.3 | 313.2 | 9,100 | 230 |
| 240 | | | | 6.0 | 205.2 | 9,500 * | 36.9 | 300.5 | 8,400 | 240 |
| 250 | | | | | | | 32.0 | 285.4 | 7,700 | 250 |
| 260 | | | | | | | 26.3 | 266.8 | 7,100 | 260 |
| 270 | | | | | | | 18.9 | 241.7 | 6,500 | 270 |
| 280 | | | | | | | 4.2 | 188.5 | 5,900 | 280 |

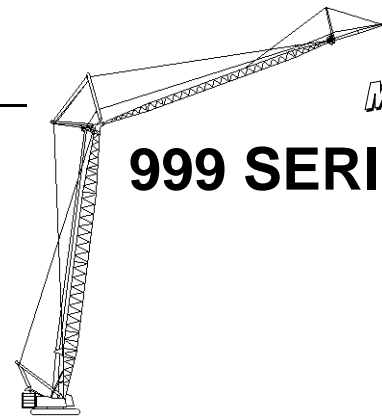


Liftcrane Fixed Jib Capacities

999 SERIES 2

Fixed Jib No. 138 At
 3 Degree Offset Angle On
 Luffing Jib No. 135 On
 Boom No. 82 or 22EL
 184,600 Lb. Crane Counterweight
 44,000 Lb. Carbody Counterweight
 360 Degree Rating

Designed And Tested
 With The Intent To
 Be In The Scope of
 ANSI B30.5



180 Ft. Boom, 170 Ft. Luffing Jib, 50 Ft. Fixed Jib

| Fixed Jib Oper. Rad. Feet | 88 Degree Boom Angle | | | 83 Degree Boom Angle | | | 70 Degree Boom Angle | | | Fixed Jib Oper. Rad. Feet |
|---------------------------|-----------------------|----------------------------|---------------------------|-----------------------|----------------------------|---------------------------|-----------------------|----------------------------|---------------------------|---------------------------|
| | Luffing Jib Ang. Deg. | Fixed Jib Point Elev. Feet | Fixed Jib Capacity Pounds | Luffing Jib Ang. Deg. | Fixed Jib Point Elev. Feet | Fixed Jib Capacity Pounds | Luffing Jib Ang. Deg. | Fixed Jib Point Elev. Feet | Fixed Jib Capacity Pounds | |
| 75 | 74.9 | 400.3 | 17,000 * | | | | | | | 75 |
| 80 | 73.6 | 398.8 | 16,800 * | | | | | | | 80 |
| 85 | 72.2 | 397.2 | 16,500 * | | | | | | | 85 |
| 90 | 70.8 | 395.4 | 16,300 * | | | | | | | 90 |
| 95 | 69.4 | 393.5 | 16,100 * | | | | | | | 95 |
| 100 | 68.0 | 391.5 | 15,900 * | | | | | | | 100 |
| 105 | 66.6 | 389.3 | 15,700 * | 71.0 | 394.2 | 15,900 * | | | | 105 |
| 110 | 65.2 | 387.0 | 15,500 * | 69.6 | 392.3 | 15,700 * | | | | 110 |
| 115 | 63.7 | 384.5 | 15,200 * | 68.2 | 390.3 | 15,500 * | | | | 115 |
| 120 | 62.3 | 381.9 | 14,700 * | 66.8 | 388.2 | 15,300 * | | | | 120 |
| 125 | 60.8 | 379.0 | 14,300 * | 65.4 | 385.9 | 15,200 * | | | | 125 |
| 130 | 59.3 | 376.1 | 13,800 * | 63.9 | 383.4 | 15,000 * | | | | 130 |
| 135 | 57.7 | 372.9 | 13,400 * | 62.5 | 380.8 | 14,900 * | | | | 135 |
| 140 | 56.2 | 369.5 | 13,100 * | 61.0 | 378.0 | 14,500 * | | | | 140 |
| 145 | 54.6 | 366.0 | 12,700 * | 59.5 | 375.0 | 14,100 * | | | | 145 |
| 150 | 53.0 | 362.2 | 12,400 * | 57.9 | 371.9 | 13,700 * | | | | 150 |
| 155 | 51.3 | 358.2 | 12,100 * | 56.4 | 368.5 | 13,300 * | | | | 155 |
| 160 | 49.6 | 353.9 | 11,800 * | 54.8 | 365.0 | 12,900 * | | | | 160 |
| 165 | 47.8 | 349.4 | 11,500 * | 53.2 | 361.3 | 12,600 * | | | | 165 |
| 170 | 46.0 | 344.6 | 11,200 * | 51.5 | 357.3 | 12,300 * | | | | 170 |
| 175 | 44.2 | 339.4 | 11,000 * | 49.8 | 353.1 | 12,000 * | | | | 175 |
| 180 | 42.3 | 334.0 | 10,700 * | 48.1 | 348.6 | 11,700 * | | | | 180 |
| 185 | 40.3 | 328.1 | 10,500 * | 46.3 | 343.8 | 11,400 * | | | | 185 |
| 190 | 38.2 | 321.8 | 10,300 * | 44.4 | 338.7 | 11,100 * | 57.8 | 361.6 | 12,400 | 190 |
| 195 | 36.0 | 314.9 | 10,100 * | 42.5 | 333.3 | 10,900 * | 56.2 | 358.2 | 11,800 | 195 |
| 200 | 33.6 | 307.5 | 9,900 * | 40.5 | 327.4 | 10,700 * | 54.6 | 354.6 | 11,300 | 200 |
| 205 | 31.2 | 299.4 | 9,800 * | 38.4 | 321.2 | 10,500 * | 53.0 | 350.9 | 10,900 | 205 |
| 210 | 28.5 | 290.3 | 9,600 * | 36.3 | 314.4 | 10,200 * | 51.3 | 346.9 | 10,400 | 210 |
| 220 | 22.2 | 268.4 | 9,300 * | 31.5 | 299.0 | 9,900 * | 47.9 | 338.1 | 9,600 | 220 |
| 230 | 13.3 | 235.5 | 8,900 * | 25.9 | 280.1 | 9,600 * | 44.2 | 328.2 | 8,800 | 230 |
| 240 | | | | 18.9 | 254.8 | 9,300 * | 40.3 | 316.8 | 8,100 | 240 |
| 250 | | | | 5.8 | 205.7 | 9,100 * | 36.0 | 303.7 | 7,400 | 250 |
| 260 | | | | | | | 31.2 | 288.2 | 6,800 | 260 |
| 270 | | | | | | | 25.6 | 269.0 | 6,300 | 270 |
| 280 | | | | | | | 18.5 | 243.3 | 5,700 | 280 |
| 290 | | | | | | | 4.1 | 188.8 | 5,100 | 290 |

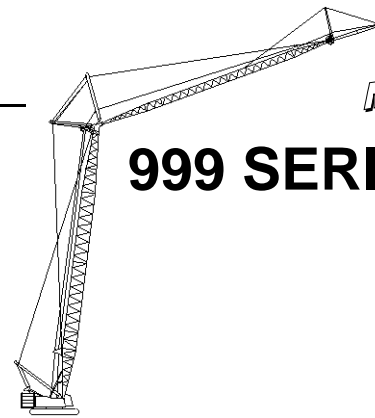


Liftcrane Fixed Jib Capacities

999 SERIES 2

Fixed Jib No. 138 At
3 Degree Offset Angle On
Luffing Jib No. 135 On
Boom No. 82 or 22EL
184,600 Lb. Crane Counterweight
44,000 Lb. Carbody Counterweight
360 Degree Rating

Designed And Tested
With The Intent To
Be In The Scope of
ANSI B30.5



180 Ft. Boom, 140 Ft. Luffing Jib, 60 Ft. Fixed Jib

| Fixed Jib Oper. Rad. Feet | 88 Degree Boom Angle | | | 83 Degree Boom Angle | | | 70 Degree Boom Angle | | | Fixed Jib Oper. Rad. Feet |
|---------------------------|-----------------------|----------------------------|---------------------------|-----------------------|----------------------------|---------------------------|-----------------------|----------------------------|---------------------------|---------------------------|
| | Luffing Jib Ang. Deg. | Fixed Jib Point Elev. Feet | Fixed Jib Capacity Pounds | Luffing Jib Ang. Deg. | Fixed Jib Point Elev. Feet | Fixed Jib Capacity Pounds | Luffing Jib Ang. Deg. | Fixed Jib Point Elev. Feet | Fixed Jib Capacity Pounds | |
| 70 | 74.6 | 381.0 | 16,200 * | | | | | | | 70 |
| 75 | 73.2 | 379.4 | 15,800 * | | | | | | | 75 |
| 80 | 71.7 | 377.8 | 15,500 * | | | | | | | 80 |
| 85 | 70.1 | 376.0 | 15,200 * | | | | | | | 85 |
| 90 | 68.6 | 374.0 | 14,900 * | | | | | | | 90 |
| 95 | 67.1 | 371.9 | 14,600 * | | | | | | | 95 |
| 100 | 65.5 | 369.6 | 14,300 * | 70.3 | 374.8 | 15,000 * | | | | 100 |
| 105 | 63.9 | 367.2 | 14,000 * | 68.8 | 372.9 | 14,700 * | | | | 105 |
| 110 | 62.3 | 364.6 | 13,700 * | 67.3 | 370.8 | 14,400 * | | | | 110 |
| 115 | 60.7 | 361.8 | 13,400 * | 65.7 | 368.5 | 14,100 * | | | | 115 |
| 120 | 59.0 | 358.8 | 13,200 * | 64.1 | 366.1 | 13,900 * | | | | 120 |
| 125 | 57.3 | 355.6 | 13,000 * | 62.5 | 363.5 | 13,600 * | | | | 125 |
| 130 | 55.6 | 352.2 | 12,700 * | 60.9 | 360.7 | 13,400 * | | | | 130 |
| 135 | 53.8 | 348.5 | 12,500 * | 59.2 | 357.8 | 13,200 * | | | | 135 |
| 140 | 52.0 | 344.7 | 12,300 * | 57.5 | 354.6 | 12,900 * | | | | 140 |
| 145 | 50.2 | 340.5 | 11,900 * | 55.8 | 351.2 | 12,700 * | | | | 145 |
| 150 | 48.3 | 336.1 | 11,600 * | 54.1 | 347.6 | 12,500 * | | | | 150 |
| 155 | 46.3 | 331.3 | 11,300 * | 52.3 | 343.7 | 12,300 * | | | | 155 |
| 160 | 44.3 | 326.3 | 11,000 * | 50.4 | 339.6 | 12,100 * | | | | 160 |
| 165 | 42.2 | 320.8 | 10,700 * | 48.5 | 335.2 | 11,800 * | | | | 165 |
| 170 | 40.0 | 314.9 | 10,400 * | 46.6 | 330.5 | 11,500 * | | | | 170 |
| 175 | 37.6 | 308.5 | 10,200 * | 44.5 | 325.5 | 11,200 * | | | | 175 |
| 180 | 35.2 | 301.6 | 10,000 * | 42.4 | 320.1 | 10,900 * | 57.4 | 344.3 | 12,100 * | 180 |
| 185 | 32.6 | 293.9 | 9,700 * | 40.2 | 314.3 | 10,600 * | 55.6 | 340.8 | 12,000 * | 185 |
| 190 | 29.8 | 285.4 | 9,500 * | 37.9 | 307.9 | 10,300 * | 53.9 | 337.2 | 11,800 * | 190 |
| 195 | 26.7 | 275.8 | 9,300 * | 35.5 | 301.1 | 10,100 * | 52.1 | 333.3 | 11,700 * | 195 |
| 200 | 23.2 | 264.7 | 9,000 * | 32.9 | 293.5 | 9,900 * | 50.2 | 329.2 | 11,600 * | 200 |
| 205 | 19.1 | 251.2 | 8,800 * | 30.1 | 285.1 | 9,600 * | 48.3 | 324.8 | 11,500 * | 205 |
| 210 | 13.9 | 233.5 | 8,600 * | 27.1 | 275.7 | 9,400 * | 46.4 | 320.1 | 11,300 * | 210 |
| 220 | | | | 19.7 | 251.7 | 9,100 * | 42.2 | 309.5 | 10,400 * | 220 |
| 230 | | | | 6.1 | 205.2 | 8,700 * | 37.7 | 297.3 | 9,600 * | 230 |
| 240 | | | | | | | 32.7 | 282.7 | 8,900 * | 240 |
| 250 | | | | | | | 26.8 | 264.6 | 8,200 * | 250 |
| 260 | | | | | | | 19.2 | 240.2 | 7,600 * | 260 |
| 270 | | | | | | | 4.3 | 188.9 | 7,000 * | 270 |

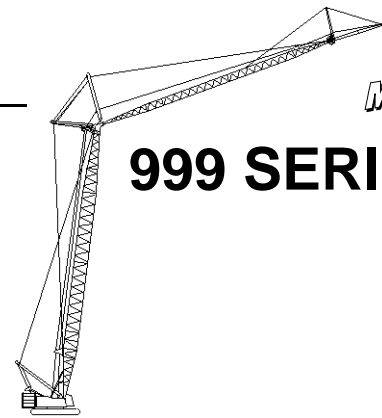


Liftcrane Fixed Jib Capacities

999 SERIES 2

Fixed Jib No. 138 At
3 Degree Offset Angle On
Luffing Jib No. 135 On
Boom No. 82 or 22EL
184,600 Lb. Crane Counterweight
44,000 Lb. Carbody Counterweight
360 Degree Rating

Designed And Tested
With The Intent To
Be In The Scope of
ANSI B30.5



180 Ft. Boom, 150 Ft. Luffing Jib, 60 Ft. Fixed Jib

| Fixed Jib Oper. Rad. Feet | 88 Degree Boom Angle | | | 83 Degree Boom Angle | | | 70 Degree Boom Angle | | | Fixed Jib Oper. Rad. Feet |
|---------------------------|-----------------------|----------------------------|---------------------------|-----------------------|----------------------------|---------------------------|-----------------------|----------------------------|---------------------------|---------------------------|
| | Luffing Jib Ang. Deg. | Fixed Jib Point Elev. Feet | Fixed Jib Capacity Pounds | Luffing Jib Ang. Deg. | Fixed Jib Point Elev. Feet | Fixed Jib Capacity Pounds | Luffing Jib Ang. Deg. | Fixed Jib Point Elev. Feet | Fixed Jib Capacity Pounds | |
| 70 | 75.4 | 391.3 | 15,600 * | | | | | | | 70 |
| 75 | 74.0 | 389.9 | 15,300 * | | | | | | | 75 |
| 80 | 72.6 | 388.3 | 15,000 * | | | | | | | 80 |
| 85 | 71.1 | 386.6 | 14,700 * | | | | | | | 85 |
| 90 | 69.7 | 384.8 | 14,500 * | | | | | | | 90 |
| 95 | 68.2 | 382.8 | 14,200 * | | | | | | | 95 |
| 100 | 66.7 | 380.6 | 13,900 * | | | | | | | 100 |
| 105 | 65.2 | 378.3 | 13,600 * | 69.9 | 383.6 | 14,200 * | | | | 105 |
| 110 | 63.7 | 375.9 | 13,400 * | 68.4 | 381.6 | 14,000 * | | | | 110 |
| 115 | 62.2 | 373.2 | 13,100 * | 66.9 | 379.5 | 13,700 * | | | | 115 |
| 120 | 60.6 | 370.4 | 12,900 * | 65.4 | 377.2 | 13,500 * | | | | 120 |
| 125 | 59.1 | 367.5 | 12,600 * | 63.9 | 374.8 | 13,300 * | | | | 125 |
| 130 | 57.4 | 364.3 | 12,500 * | 62.4 | 372.2 | 13,000 * | | | | 130 |
| 135 | 55.8 | 360.9 | 12,200 * | 60.8 | 369.4 | 12,800 * | | | | 135 |
| 140 | 54.1 | 357.3 | 12,000 * | 59.3 | 366.4 | 12,600 * | | | | 140 |
| 145 | 52.4 | 353.5 | 11,800 * | 57.7 | 363.3 | 12,400 * | | | | 145 |
| 150 | 50.7 | 349.4 | 11,500 * | 56.0 | 359.9 | 12,200 * | | | | 150 |
| 155 | 48.9 | 345.0 | 11,100 * | 54.3 | 356.3 | 12,000 * | | | | 155 |
| 160 | 47.0 | 340.4 | 10,800 * | 52.6 | 352.5 | 11,800 * | | | | 160 |
| 165 | 45.1 | 335.5 | 10,600 * | 50.9 | 348.5 | 11,700 * | | | | 165 |
| 170 | 43.1 | 330.2 | 10,300 * | 49.1 | 344.2 | 11,300 * | | | | 170 |
| 175 | 41.1 | 324.5 | 10,000 * | 47.3 | 339.6 | 11,000 * | | | | 175 |
| 180 | 38.9 | 318.4 | 9,800 * | 45.4 | 334.7 | 10,700 * | | | | 180 |
| 185 | 36.7 | 311.8 | 9,600 * | 43.4 | 329.5 | 10,500 * | 57.5 | 352.9 | 11,600 * | 185 |
| 190 | 34.3 | 304.6 | 9,400 * | 41.4 | 323.9 | 10,200 * | 55.9 | 349.6 | 11,500 * | 190 |
| 195 | 31.8 | 296.7 | 9,200 * | 39.2 | 317.8 | 10,000 * | 54.2 | 346.0 | 11,300 * | 195 |
| 200 | 29.0 | 287.9 | 9,000 * | 37.0 | 311.3 | 9,700 * | 52.5 | 342.1 | 11,300 * | 200 |
| 205 | 26.0 | 278.0 | 8,800 * | 34.6 | 304.1 | 9,500 * | 50.7 | 338.1 | 11,100 * | 205 |
| 210 | 22.6 | 266.6 | 8,700 * | 32.1 | 296.3 | 9,300 * | 48.9 | 333.7 | 11,000 * | 210 |
| 220 | 13.5 | 234.6 | 8,400 * | 26.4 | 278.0 | 8,900 * | 45.2 | 324.2 | 10,200 * | 220 |
| 230 | | | | 19.2 | 253.3 | 8,600 * | 41.1 | 313.3 | 9,500 * | 230 |
| 240 | | | | 5.9 | 205.7 | 8,400 * | 36.8 | 300.6 | 8,800 * | 240 |
| 250 | | | | | | | 31.8 | 285.5 | 8,100 * | 250 |
| 260 | | | | | | | 26.1 | 266.9 | 7,500 * | 260 |
| 270 | | | | | | | 18.8 | 241.8 | 6,900 * | 270 |
| 280 | | | | | | | 4.2 | 189.2 | 6,300 * | 280 |

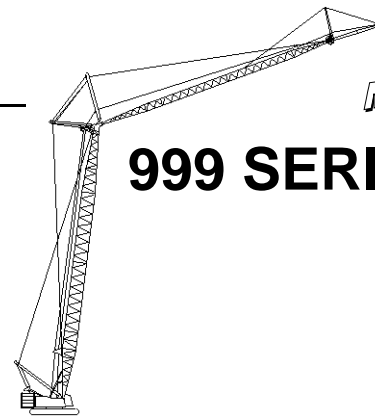


Liftcrane Fixed Jib Capacities

999 SERIES 2

Fixed Jib No. 138 At
 3 Degree Offset Angle On
 Luffing Jib No. 135 On
 Boom No. 82 or 22EL
 184,600 Lb. Crane Counterweight
 44,000 Lb. Carbody Counterweight
 360 Degree Rating

Designed And Tested
 With The Intent To
 Be In The Scope of
 ANSI B30.5



180 Ft. Boom, 160 Ft. Luffing Jib, 60 Ft. Fixed Jib

| Fixed Jib Oper. Rad. Feet | 88 Degree Boom Angle | | | 83 Degree Boom Angle | | | 70 Degree Boom Angle | | | Fixed Jib Oper. Rad. Feet |
|---------------------------|-----------------------|----------------------------|---------------------------|-----------------------|----------------------------|---------------------------|-----------------------|----------------------------|---------------------------|---------------------------|
| | Luffing Jib Ang. Deg. | Fixed Jib Point Elev. Feet | Fixed Jib Capacity Pounds | Luffing Jib Ang. Deg. | Fixed Jib Point Elev. Feet | Fixed Jib Capacity Pounds | Luffing Jib Ang. Deg. | Fixed Jib Point Elev. Feet | Fixed Jib Capacity Pounds | |
| 75 | 74.7 | 400.3 | 14,700 * | | | | | | | 75 |
| 80 | 73.4 | 398.8 | 14,400 * | | | | | | | 80 |
| 85 | 72.0 | 397.2 | 14,100 * | | | | | | | 85 |
| 90 | 70.6 | 395.5 | 13,900 * | | | | | | | 90 |
| 95 | 69.3 | 393.6 | 13,700 * | | | | | | | 95 |
| 100 | 67.9 | 391.5 | 13,400 * | | | | | | | 100 |
| 105 | 66.4 | 389.4 | 13,200 * | 70.8 | 394.3 | 13,700 * | | | | 105 |
| 110 | 65.0 | 387.0 | 12,900 * | 69.4 | 392.4 | 13,400 * | | | | 110 |
| 115 | 63.6 | 384.5 | 12,700 * | 68.0 | 390.4 | 13,200 * | | | | 115 |
| 120 | 62.1 | 381.9 | 12,500 * | 66.6 | 388.2 | 13,000 * | | | | 120 |
| 125 | 60.6 | 379.1 | 12,300 * | 65.2 | 385.9 | 12,800 * | | | | 125 |
| 130 | 59.1 | 376.1 | 12,100 * | 63.7 | 383.4 | 12,600 * | | | | 130 |
| 135 | 57.6 | 372.9 | 11,900 * | 62.3 | 380.8 | 12,400 * | | | | 135 |
| 140 | 56.0 | 369.6 | 11,700 * | 60.8 | 378.0 | 12,200 * | | | | 140 |
| 145 | 54.4 | 366.0 | 11,500 * | 59.3 | 375.1 | 12,000 * | | | | 145 |
| 150 | 52.8 | 362.2 | 11,300 * | 57.8 | 371.9 | 11,800 * | | | | 150 |
| 155 | 51.1 | 358.2 | 11,000 * | 56.2 | 368.6 | 11,700 * | | | | 155 |
| 160 | 49.4 | 354.0 | 10,700 * | 54.6 | 365.1 | 11,500 * | | | | 160 |
| 165 | 47.7 | 349.5 | 10,400 * | 53.0 | 361.3 | 11,400 * | | | | 165 |
| 170 | 45.9 | 344.6 | 10,200 * | 51.3 | 357.3 | 11,200 * | | | | 170 |
| 175 | 44.0 | 339.5 | 9,900 * | 49.6 | 353.1 | 10,900 * | | | | 175 |
| 180 | 42.1 | 334.0 | 9,700 * | 47.9 | 348.6 | 10,600 * | | | | 180 |
| 185 | 40.1 | 328.2 | 9,500 * | 46.1 | 343.8 | 10,300 * | | | | 185 |
| 190 | 38.0 | 321.8 | 9,300 * | 44.3 | 338.8 | 10,100 * | 57.6 | 361.6 | 10,900 * | 190 |
| 195 | 35.8 | 315.0 | 9,100 * | 42.3 | 333.3 | 9,800 * | 56.0 | 358.3 | 10,800 * | 195 |
| 200 | 33.5 | 307.6 | 8,900 * | 40.3 | 327.5 | 9,600 * | 54.5 | 354.7 | 10,800 * | 200 |
| 205 | 31.0 | 299.5 | 8,700 * | 38.3 | 321.2 | 9,400 * | 52.8 | 350.9 | 10,700 * | 205 |
| 210 | 28.3 | 290.4 | 8,500 * | 36.1 | 314.5 | 9,200 * | 51.2 | 346.9 | 10,600 * | 210 |
| 220 | 22.1 | 268.5 | 8,200 * | 31.3 | 299.1 | 8,800 * | 47.7 | 338.2 | 9,900 | 220 |
| 230 | 13.2 | 235.7 | 8,000 * | 25.8 | 280.2 | 8,500 * | 44.1 | 328.2 | 9,100 | 230 |
| 240 | | | | 18.7 | 254.9 | 8,200 * | 40.1 | 316.9 | 8,400 | 240 |
| 250 | | | | 5.8 | 206.1 | 8,000 * | 35.9 | 303.8 | 7,700 | 250 |
| 260 | | | | | | | 31.1 | 288.3 | 7,100 | 260 |
| 270 | | | | | | | 25.5 | 269.1 | 6,600 | 270 |
| 280 | | | | | | | 18.3 | 243.4 | 6,000 | 280 |
| 290 | | | | | | | 4.1 | 189.5 | 5,500 | 290 |

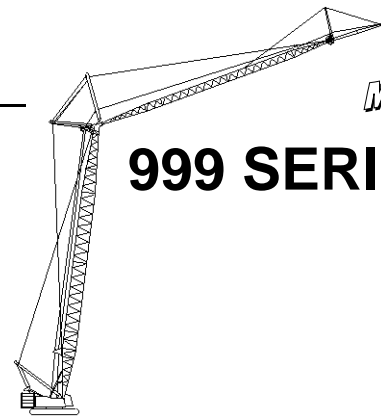


Liftcrane Fixed Jib Capacities

999 SERIES 2

Fixed Jib No. 138 At
3 Degree Offset Angle On
Luffing Jib No. 135 On
Boom No. 82 or 22EL
184,600 Lb. Crane Counterweight
44,000 Lb. Carbody Counterweight
360 Degree Rating

Designed And Tested
With The Intent To
Be In The Scope of
ANSI B30.5



180 Ft. Boom, 170 Ft. Luffing Jib, 60 Ft. Fixed Jib

| Fixed Jib Oper. Rad. Feet | 88 Degree Boom Angle | | | 83 Degree Boom Angle | | | 70 Degree Boom Angle | | | Fixed Jib Oper. Rad. Feet |
|---------------------------|-----------------------|----------------------------|---------------------------|-----------------------|----------------------------|---------------------------|-----------------------|----------------------------|---------------------------|---------------------------|
| | Luffing Jib Ang. Deg. | Fixed Jib Point Elev. Feet | Fixed Jib Capacity Pounds | Luffing Jib Ang. Deg. | Fixed Jib Point Elev. Feet | Fixed Jib Capacity Pounds | Luffing Jib Ang. Deg. | Fixed Jib Point Elev. Feet | Fixed Jib Capacity Pounds | |
| 75 | 75.4 | 410.7 | 13,900 * | | | | | | | 75 |
| 80 | 74.1 | 409.3 | 13,700 * | | | | | | | 80 |
| 85 | 72.8 | 407.7 | 13,500 * | | | | | | | 85 |
| 90 | 71.5 | 406.1 | 13,300 * | | | | | | | 90 |
| 95 | 70.2 | 404.3 | 13,100 * | | | | | | | 95 |
| 100 | 68.9 | 402.3 | 12,900 * | | | | | | | 100 |
| 105 | 67.5 | 400.3 | 12,600 * | | | | | | | 105 |
| 110 | 66.2 | 398.1 | 12,500 * | 70.4 | 403.1 | 12,800 * | | | | 110 |
| 115 | 64.8 | 395.7 | 12,300 * | 69.0 | 401.2 | 12,600 * | | | | 115 |
| 120 | 63.4 | 393.2 | 12,000 * | 67.7 | 399.1 | 12,500 * | | | | 120 |
| 125 | 62.0 | 390.6 | 11,800 * | 66.3 | 396.9 | 12,200 * | | | | 125 |
| 130 | 60.6 | 387.8 | 11,700 * | 65.0 | 394.6 | 12,100 * | | | | 130 |
| 135 | 59.1 | 384.8 | 11,500 * | 63.6 | 392.1 | 11,900 * | | | | 135 |
| 140 | 57.7 | 381.6 | 11,300 * | 62.2 | 389.5 | 11,700 * | | | | 140 |
| 145 | 56.2 | 378.3 | 11,200 * | 60.8 | 386.7 | 11,600 * | | | | 145 |
| 150 | 54.7 | 374.8 | 11,000 * | 59.3 | 383.7 | 11,400 * | | | | 150 |
| 155 | 53.1 | 371.0 | 10,800 * | 57.9 | 380.6 | 11,300 * | | | | 155 |
| 160 | 51.5 | 367.1 | 10,500 * | 56.4 | 377.3 | 11,100 * | | | | 160 |
| 165 | 49.9 | 362.9 | 10,200 * | 54.9 | 373.8 | 11,000 * | | | | 165 |
| 170 | 48.3 | 358.4 | 10,000 * | 53.3 | 370.1 | 10,800 * | | | | 170 |
| 175 | 46.6 | 353.7 | 9,700 * | 51.7 | 366.2 | 10,700 * | | | | 175 |
| 180 | 44.8 | 348.8 | 9,500 * | 50.1 | 362.0 | 10,400 * | | | | 180 |
| 185 | 43.0 | 343.4 | 9,300 * | 48.5 | 357.6 | 10,100 * | | | | 185 |
| 190 | 41.1 | 337.8 | 9,100 * | 46.8 | 352.9 | 9,900 * | | | | 190 |
| 195 | 39.2 | 331.7 | 8,900 * | 45.0 | 348.0 | 9,700 * | 57.7 | 370.3 | 10,200 * | 195 |
| 200 | 37.1 | 325.2 | 8,700 * | 43.2 | 342.7 | 9,400 * | 56.2 | 367.0 | 10,200 * | 200 |
| 205 | 35.0 | 318.1 | 8,600 * | 41.4 | 337.1 | 9,200 * | 54.7 | 363.4 | 10,200 * | 205 |
| 210 | 32.7 | 310.5 | 8,400 * | 39.4 | 331.1 | 9,000 * | 53.2 | 359.7 | 10,100 * | 210 |
| 220 | 27.7 | 292.9 | 8,100 * | 35.3 | 317.6 | 8,700 * | 50.0 | 351.6 | 9,600 | 220 |
| 230 | 21.6 | 270.4 | 7,800 * | 30.6 | 301.8 | 8,300 * | 46.6 | 342.5 | 8,800 | 230 |
| 240 | 12.9 | 236.8 | 7,600 * | 25.2 | 282.4 | 8,000 * | 43.0 | 332.2 | 8,100 | 240 |
| 250 | | | | 18.3 | 256.5 | 7,800 * | 39.2 | 320.4 | 7,500 | 250 |
| 260 | | | | 5.6 | 206.6 | 7,600 * | 35.0 | 306.9 | 6,900 | 260 |
| 270 | | | | | | | 30.4 | 291.0 | 6,300 | 270 |
| 280 | | | | | | | 24.9 | 271.3 | 5,800 | 280 |
| 290 | | | | | | | 17.9 | 244.9 | 5,300 | 290 |
| 300 | | | | | | | 4.0 | 189.8 | 4,800 | 300 |

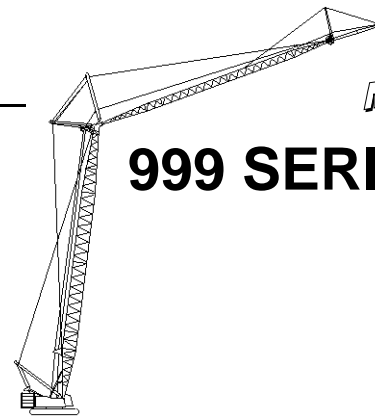


Liftcrane Fixed Jib Capacities

999 SERIES 2

Fixed Jib No. 138 At
 3 Degree Offset Angle On
 Luffing Jib No. 135 On
 Boom No. 82 or 22EL
 184,600 Lb. Crane Counterweight
 44,000 Lb. Carbody Counterweight
 360 Degree Rating

Designed And Tested
 With The Intent To
 Be In The Scope of
 ANSI B30.5



190 Ft. Boom, 140 Ft. Luffing Jib, 30 Ft. Fixed Jib

| Fixed Jib Oper. Rad. Feet | 88 Degree Boom Angle | | | 83 Degree Boom Angle | | | 70 Degree Boom Angle | | | Fixed Jib Oper. Rad. Feet |
|---------------------------|-----------------------|----------------------------|---------------------------|-----------------------|----------------------------|---------------------------|-----------------------|----------------------------|---------------------------|---------------------------|
| | Luffing Jib Ang. Deg. | Fixed Jib Point Elev. Feet | Fixed Jib Capacity Pounds | Luffing Jib Ang. Deg. | Fixed Jib Point Elev. Feet | Fixed Jib Capacity Pounds | Luffing Jib Ang. Deg. | Fixed Jib Point Elev. Feet | Fixed Jib Capacity Pounds | |
| 60 | 75.2 | 362.7 | 27,000 * | | | | | | | 60 |
| 65 | 73.4 | 361.2 | 26,700 * | | | | | | | 65 |
| 70 | 71.7 | 359.6 | 26,400 * | | | | | | | 70 |
| 75 | 69.9 | 357.8 | 26,200 * | | | | | | | 75 |
| 80 | 68.1 | 355.8 | 25,900 * | | | | | | | 80 |
| 85 | 66.3 | 353.7 | 25,700 * | | | | | | | 85 |
| 90 | 64.4 | 351.3 | 25,500 * | 70.4 | 356.9 | 26,400 * | | | | 90 |
| 95 | 62.5 | 348.8 | 24,900 * | 68.6 | 355.0 | 26,200 * | | | | 95 |
| 100 | 60.6 | 346.0 | 24,000 * | 66.8 | 352.9 | 26,000 * | | | | 100 |
| 105 | 58.7 | 343.0 | 23,200 * | 65.0 | 350.6 | 25,900 * | | | | 105 |
| 110 | 56.7 | 339.8 | 22,400 * | 63.1 | 348.1 | 25,600 * | | | | 110 |
| 115 | 54.6 | 336.3 | 21,700 * | 61.2 | 345.4 | 24,700 * | | | | 115 |
| 120 | 52.5 | 332.5 | 21,000 * | 59.2 | 342.4 | 23,900 * | | | | 120 |
| 125 | 50.4 | 328.4 | 20,400 * | 57.3 | 339.3 | 23,100 * | | | | 125 |
| 130 | 48.1 | 324.0 | 19,800 * | 55.2 | 335.9 | 22,300 * | | | | 130 |
| 135 | 45.8 | 319.3 | 19,300 * | 53.2 | 332.2 | 21,600 * | | | | 135 |
| 140 | 43.4 | 314.1 | 18,800 * | 51.0 | 328.2 | 21,000 * | | | | 140 |
| 145 | 40.9 | 308.5 | 18,300 * | 48.8 | 323.9 | 20,400 * | | | | 145 |
| 150 | 38.2 | 302.3 | 17,900 * | 46.5 | 319.3 | 19,800 * | | | | 150 |
| 155 | 35.4 | 295.5 | 17,500 * | 44.1 | 314.2 | 19,300 * | | | | 155 |
| 160 | 32.3 | 287.9 | 16,900 * | 41.6 | 308.7 | 18,800 * | | | | 160 |
| 165 | 29.0 | 279.2 | 16,200 * | 39.0 | 302.7 | 18,300 * | 57.9 | 329.8 | 15,700 | 165 |
| 170 | 25.2 | 269.2 | 15,500 * | 36.2 | 296.1 | 17,900 * | 55.9 | 326.5 | 15,000 | 170 |
| 175 | 20.8 | 257.1 | 14,900 * | 33.3 | 288.7 | 17,500 * | 53.9 | 322.9 | 14,300 | 175 |
| 180 | 15.3 | 241.2 | 14,400 * | 30.0 | 280.5 | 17,100 * | 51.8 | 319.1 | 13,700 | 180 |
| 185 | 5.3 | 212.1 | 13,900 * | 26.4 | 270.9 | 16,700 * | 49.6 | 314.9 | 13,100 | 185 |
| 190 | | | | 22.2 | 259.6 | 16,400 * | 47.3 | 310.4 | 12,600 | 190 |
| 195 | | | | 17.1 | 245.1 | 16,100 * | 45.0 | 305.5 | 12,000 | 195 |
| 200 | | | | 9.6 | 223.1 | 15,900 * | 42.5 | 300.1 | 11,500 | 200 |
| 205 | | | | | | | 39.9 | 294.3 | 11,100 | 205 |
| 210 | | | | | | | 37.2 | 287.9 | 10,600 | 210 |
| 220 | | | | | | | 31.2 | 272.9 | 9,700 | 220 |
| 230 | | | | | | | 23.7 | 253.2 | 9,000 | 230 |
| 240 | | | | | | | 12.7 | 221.7 | 8,200 | 240 |

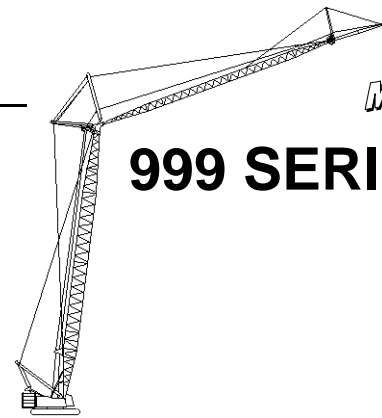


Liftcrane Fixed Jib Capacities

999 SERIES 2

Fixed Jib No. 138 At
3 Degree Offset Angle On
Luffing Jib No. 135 On
Boom No. 82 or 22EL
184,600 Lb. Crane Counterweight
44,000 Lb. Carbody Counterweight
360 Degree Rating

Designed And Tested
With The Intent To
Be In The Scope of
ANSI B30.5



190 Ft. Boom, 150 Ft. Luffing Jib, 30 Ft. Fixed Jib

| Fixed Jib Oper. Rad. Feet | 88 Degree Boom Angle | | | 83 Degree Boom Angle | | | 70 Degree Boom Angle | | | Fixed Jib Oper. Rad. Feet |
|---------------------------|-----------------------|----------------------------|---------------------------|-----------------------|----------------------------|---------------------------|-----------------------|----------------------------|---------------------------|---------------------------|
| | Luffing Jib Ang. Deg. | Fixed Jib Point Elev. Feet | Fixed Jib Capacity Pounds | Luffing Jib Ang. Deg. | Fixed Jib Point Elev. Feet | Fixed Jib Capacity Pounds | Luffing Jib Ang. Deg. | Fixed Jib Point Elev. Feet | Fixed Jib Capacity Pounds | |
| 60 | 76.0 | 373.1 | 26,400 * | | | | | | | 60 |
| 65 | 74.4 | 371.7 | 26,200 * | | | | | | | 65 |
| 70 | 72.7 | 370.2 | 25,900 * | | | | | | | 70 |
| 75 | 71.0 | 368.5 | 25,700 * | | | | | | | 75 |
| 80 | 69.4 | 366.6 | 25,400 * | | | | | | | 80 |
| 85 | 67.6 | 364.6 | 25,200 * | | | | | | | 85 |
| 90 | 65.9 | 362.4 | 25,000 * | | | | | | | 90 |
| 95 | 64.2 | 360.0 | 24,400 * | 69.9 | 365.7 | 25,600 * | | | | 95 |
| 100 | 62.4 | 357.4 | 23,500 * | 68.2 | 363.7 | 25,500 * | | | | 100 |
| 105 | 60.6 | 354.7 | 22,800 * | 66.4 | 361.6 | 25,300 * | | | | 105 |
| 110 | 58.7 | 351.7 | 22,000 * | 64.7 | 359.3 | 25,100 * | | | | 110 |
| 115 | 56.8 | 348.4 | 21,400 * | 62.9 | 356.7 | 24,200 * | | | | 115 |
| 120 | 54.9 | 345.0 | 20,700 * | 61.1 | 354.0 | 23,400 * | | | | 120 |
| 125 | 52.9 | 341.3 | 20,100 * | 59.3 | 351.1 | 22,600 * | | | | 125 |
| 130 | 50.9 | 337.3 | 19,600 * | 57.4 | 347.9 | 21,900 * | | | | 130 |
| 135 | 48.8 | 333.0 | 19,000 * | 55.5 | 344.6 | 21,300 * | | | | 135 |
| 140 | 46.7 | 328.4 | 18,500 * | 53.5 | 340.9 | 20,600 * | | | | 140 |
| 145 | 44.4 | 323.4 | 18,100 * | 51.5 | 337.0 | 20,100 * | | | | 145 |
| 150 | 42.1 | 318.0 | 17,600 * | 49.5 | 332.8 | 19,500 * | | | | 150 |
| 155 | 39.7 | 312.1 | 17,200 * | 47.3 | 328.3 | 19,000 * | | | | 155 |
| 160 | 37.1 | 305.6 | 16,500 * | 45.1 | 323.4 | 18,500 * | | | | 160 |
| 165 | 34.3 | 298.6 | 15,900 * | 42.8 | 318.1 | 18,100 * | | | | 165 |
| 170 | 31.4 | 290.6 | 15,300 * | 40.4 | 312.4 | 17,600 * | | | | 170 |
| 175 | 28.1 | 281.7 | 14,700 * | 37.9 | 306.2 | 17,200 * | 56.2 | 335.2 | 14,200 | 175 |
| 180 | 24.5 | 271.4 | 14,100 * | 35.2 | 299.3 | 16,900 * | 54.2 | 331.7 | 13,600 | 180 |
| 185 | 20.2 | 258.9 | 13,600 * | 32.3 | 291.6 | 16,500 * | 52.2 | 327.9 | 13,000 | 185 |
| 190 | 14.8 | 242.5 | 13,100 * | 29.1 | 283.0 | 16,200 * | 50.2 | 323.8 | 12,400 | 190 |
| 195 | 5.2 | 212.5 | 12,600 * | 25.6 | 273.2 | 15,900 * | 48.1 | 319.4 | 11,900 | 195 |
| 200 | | | | 21.6 | 261.4 | 15,600 * | 45.9 | 314.6 | 11,400 | 200 |
| 205 | | | | 16.6 | 246.6 | 15,400 * | 43.6 | 309.5 | 10,900 | 205 |
| 210 | | | | 9.3 | 223.9 | 15,200 * | 41.3 | 303.9 | 10,500 | 210 |
| 220 | | | | | | | 36.1 | 291.2 | 9,600 | 220 |
| 230 | | | | | | | 30.3 | 275.6 | 8,900 | 230 |
| 240 | | | | | | | 23.1 | 255.2 | 8,100 | 240 |
| 250 | | | | | | | 12.3 | 222.8 | 7,400 | 250 |

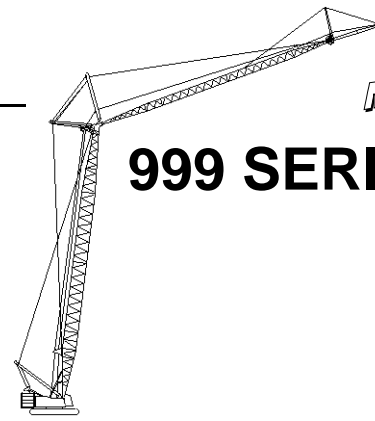


Liftcrane Fixed Jib Capacities

999 SERIES 2

Fixed Jib No. 138 At
 3 Degree Offset Angle On
 Luffing Jib No. 135 On
 Boom No. 82 or 22EL
 184,600 Lb. Crane Counterweight
 44,000 Lb. Carbody Counterweight
 360 Degree Rating

Designed And Tested
 With The Intent To
 Be In The Scope of
 ANSI B30.5



190 Ft. Boom, 160 Ft. Luffing Jib, 30 Ft. Fixed Jib

| Fixed Jib Oper. Rad. Feet | 88 Degree Boom Angle | | | 83 Degree Boom Angle | | | 70 Degree Boom Angle | | | Fixed Jib Oper. Rad. Feet |
|---------------------------|-----------------------|----------------------------|---------------------------|-----------------------|----------------------------|---------------------------|-----------------------|----------------------------|---------------------------|---------------------------|
| | Luffing Jib Ang. Deg. | Fixed Jib Point Elev. Feet | Fixed Jib Capacity Pounds | Luffing Jib Ang. Deg. | Fixed Jib Point Elev. Feet | Fixed Jib Capacity Pounds | Luffing Jib Ang. Deg. | Fixed Jib Point Elev. Feet | Fixed Jib Capacity Pounds | |
| 65 | 75.2 | 382.1 | 25,000 * | | | | | | | 65 |
| 70 | 73.6 | 380.6 | 24,700 * | | | | | | | 70 |
| 75 | 72.1 | 379.0 | 24,500 * | | | | | | | 75 |
| 80 | 70.5 | 377.3 | 24,200 * | | | | | | | 80 |
| 85 | 68.9 | 375.4 | 24,000 * | | | | | | | 85 |
| 90 | 67.3 | 373.3 | 23,700 * | | | | | | | 90 |
| 95 | 65.6 | 371.1 | 23,500 * | 71.0 | 376.3 | 23,200 * | | | | 95 |
| 100 | 63.9 | 368.7 | 23,000 * | 69.4 | 374.5 | 23,100 * | | | | 100 |
| 105 | 62.3 | 366.1 | 22,300 * | 67.7 | 372.5 | 23,200 * | | | | 105 |
| 110 | 60.5 | 363.3 | 21,600 * | 66.1 | 370.3 | 22,800 * | | | | 110 |
| 115 | 58.8 | 360.3 | 21,000 * | 64.5 | 367.9 | 22,600 * | | | | 115 |
| 120 | 57.0 | 357.1 | 20,400 * | 62.8 | 365.4 | 22,500 * | | | | 120 |
| 125 | 55.2 | 353.7 | 19,800 * | 61.1 | 362.7 | 22,200 * | | | | 125 |
| 130 | 53.3 | 350.0 | 19,300 * | 59.3 | 359.8 | 21,500 * | | | | 130 |
| 135 | 51.4 | 346.1 | 18,800 * | 57.6 | 356.6 | 20,900 * | | | | 135 |
| 140 | 49.5 | 341.9 | 18,300 * | 55.7 | 353.3 | 20,300 * | | | | 140 |
| 145 | 47.4 | 337.4 | 17,700 * | 53.9 | 349.7 | 19,700 * | | | | 145 |
| 150 | 45.4 | 332.6 | 17,100 * | 52.0 | 345.8 | 19,200 * | | | | 150 |
| 155 | 43.2 | 327.3 | 16,500 * | 50.1 | 341.7 | 18,700 * | | | | 155 |
| 160 | 40.9 | 321.7 | 16,000 * | 48.1 | 337.3 | 18,300 * | | | | 160 |
| 165 | 38.6 | 315.6 | 15,400 * | 46.0 | 332.6 | 17,800 * | | | | 165 |
| 170 | 36.1 | 308.9 | 14,800 * | 43.9 | 327.5 | 17,400 * | | | | 170 |
| 175 | 33.4 | 301.5 | 14,300 * | 41.6 | 322.0 | 17,000 * | | | | 175 |
| 180 | 30.5 | 293.4 | 13,800 * | 39.3 | 316.0 | 16,700 * | 56.4 | 343.9 | 13,200 | 180 |
| 185 | 27.4 | 284.1 | 13,300 * | 36.8 | 309.5 | 16,300 * | 54.5 | 340.4 | 12,600 | 185 |
| 190 | 23.8 | 273.4 | 12,800 * | 34.2 | 302.3 | 16,000 * | 52.7 | 336.6 | 12,000 | 190 |
| 195 | 19.7 | 260.6 | 12,400 * | 31.4 | 294.4 | 15,700 * | 50.7 | 332.6 | 11,500 | 195 |
| 200 | 14.4 | 243.7 | 12,000 * | 28.3 | 285.6 | 15,500 * | 48.8 | 328.3 | 11,000 | 200 |
| 205 | | 212.9 | 11,600 * | 24.9 | 275.4 | 15,200 * | 46.7 | 323.7 | 10,500 | 205 |
| 210 | 5.0 | | | 21.0 | 263.3 | 15,000 * | 44.6 | 318.7 | 10,100 | 210 |
| 220 | | | | 9.0 | 224.6 | 14,600 * | 40.1 | 307.5 | 9,300 | 220 |
| 230 | | | | | | | 35.1 | 294.3 | 8,500 | 230 |
| 240 | | | | | | | 29.4 | 278.2 | 7,800 | 240 |
| 250 | | | | | | | 22.4 | 257.1 | 7,100 | 250 |
| 260 | | | | | | | 12.0 | 223.8 | 6,500 | 260 |

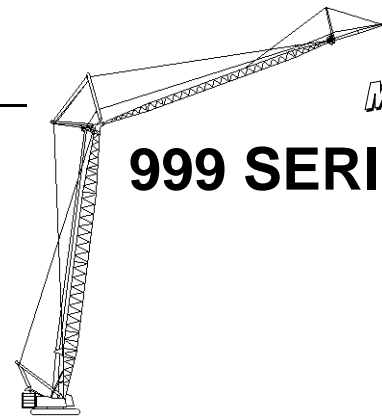


Liftcrane Fixed Jib Capacities

999 SERIES 2

Fixed Jib No. 138 At
3 Degree Offset Angle On
Luffing Jib No. 135 On
Boom No. 82 or 22EL
184,600 Lb. Crane Counterweight
44,000 Lb. Carbody Counterweight
360 Degree Rating

Designed And Tested
With The Intent To
Be In The Scope of
ANSI B30.5



190 Ft. Boom, 170 Ft. Luffing Jib, 30 Ft. Fixed Jib

| Fixed Jib Oper. Rad. Feet | 88 Degree Boom Angle | | | 83 Degree Boom Angle | | | 70 Degree Boom Angle | | | Fixed Jib Oper. Rad. Feet |
|---------------------------|-----------------------|----------------------------|---------------------------|-----------------------|----------------------------|---------------------------|-----------------------|----------------------------|---------------------------|---------------------------|
| | Luffing Jib Ang. Deg. | Fixed Jib Point Elev. Feet | Fixed Jib Capacity Pounds | Luffing Jib Ang. Deg. | Fixed Jib Point Elev. Feet | Fixed Jib Capacity Pounds | Luffing Jib Ang. Deg. | Fixed Jib Point Elev. Feet | Fixed Jib Capacity Pounds | |
| 65 | 76.0 | 392.4 | 22,400 * | | | | | | | 65 |
| 70 | 74.5 | 391.1 | 22,400 * | | | | | | | 70 |
| 75 | 73.0 | 389.6 | 22,000 * | | | | | | | 75 |
| 80 | 71.5 | 387.9 | 21,700 * | | | | | | | 80 |
| 85 | 70.0 | 386.1 | 21,500 * | | | | | | | 85 |
| 90 | 68.5 | 384.2 | 21,200 * | | | | | | | 90 |
| 95 | 66.9 | 382.1 | 21,000 * | | | | | | | 95 |
| 100 | 65.3 | 379.8 | 20,700 * | 70.4 | 385.2 | 20,600 * | | | | 100 |
| 105 | 63.8 | 377.4 | 20,500 * | 68.9 | 383.3 | 20,500 * | | | | 105 |
| 110 | 62.1 | 374.8 | 20,300 * | 67.4 | 381.2 | 20,300 * | | | | 110 |
| 115 | 60.5 | 372.0 | 20,000 * | 65.8 | 379.0 | 20,100 * | | | | 115 |
| 120 | 58.9 | 369.0 | 19,500 * | 64.2 | 376.6 | 20,000 * | | | | 120 |
| 125 | 57.2 | 365.8 | 18,900 * | 62.6 | 374.1 | 19,800 * | | | | 125 |
| 130 | 55.4 | 362.4 | 18,400 * | 61.0 | 371.3 | 19,700 * | | | | 130 |
| 135 | 53.7 | 358.8 | 17,900 * | 59.4 | 368.4 | 19,500 * | | | | 135 |
| 140 | 51.9 | 354.9 | 17,300 * | 57.7 | 365.3 | 19,400 * | | | | 140 |
| 145 | 50.0 | 350.8 | 16,800 * | 56.0 | 362.0 | 19,300 * | | | | 145 |
| 150 | 48.1 | 346.4 | 16,300 * | 54.2 | 358.4 | 18,800 * | | | | 150 |
| 155 | 46.2 | 341.7 | 15,800 * | 52.4 | 354.6 | 18,300 * | | | | 155 |
| 160 | 44.1 | 336.6 | 15,300 * | 50.6 | 350.6 | 17,900 * | | | | 160 |
| 165 | 42.0 | 331.2 | 14,800 * | 48.7 | 346.3 | 17,500 * | | | | 165 |
| 170 | 39.8 | 325.3 | 14,300 * | 46.8 | 341.6 | 17,100 * | | | | 170 |
| 175 | 37.5 | 319.0 | 13,800 * | 44.8 | 336.7 | 16,700 * | | | | 175 |
| 180 | 35.1 | 312.1 | 13,400 * | 42.7 | 331.4 | 16,400 * | | | | 180 |
| 185 | 32.5 | 304.5 | 12,900 * | 40.5 | 325.7 | 16,000 * | 56.6 | 352.6 | 12,300 | 185 |
| 190 | 29.7 | 296.0 | 12,500 * | 38.2 | 319.5 | 15,700 * | 54.8 | 349.1 | 11,700 | 190 |
| 195 | 26.6 | 286.5 | 12,000 * | 35.9 | 312.7 | 15,500 * | 53.0 | 345.4 | 11,200 | 195 |
| 200 | 23.2 | 275.5 | 11,700 * | 33.3 | 305.3 | 15,200 * | 51.2 | 341.5 | 10,700 | 200 |
| 205 | 19.2 | 262.3 | 11,300 * | 30.6 | 297.2 | 14,900 * | 49.4 | 337.2 | 10,200 | 205 |
| 210 | 14.0 | 244.9 | 11,000 * | 27.6 | 288.0 | 14,700 * | 47.4 | 332.7 | 9,800 | 210 |
| 220 | | | | 20.5 | 265.1 | 14,300 * | 43.4 | 322.7 | 9,000 | 220 |
| 230 | | | | 8.8 | 225.4 | 13,500 * | 39.0 | 311.1 | 8,200 | 230 |
| 240 | | | | | | | 34.2 | 297.4 | 7,500 | 240 |
| 250 | | | | | | | 28.7 | 280.7 | 6,900 | 250 |
| 260 | | | | | | | 21.8 | 259.1 | 6,200 | 260 |
| 270 | | | | | | | 11.7 | 224.8 | 5,700 | 270 |

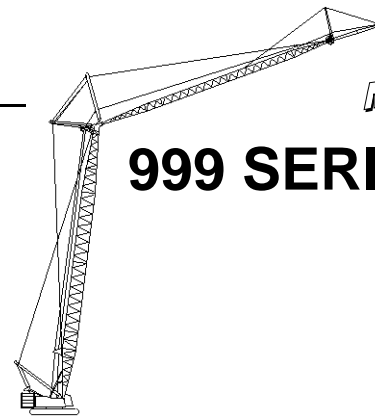


Liftcrane Fixed Jib Capacities

999 SERIES 2

Fixed Jib No. 138 At
 3 Degree Offset Angle On
 Luffing Jib No. 135 On
 Boom No. 82 or 22EL
 184,600 Lb. Crane Counterweight
 44,000 Lb. Carbody Counterweight
 360 Degree Rating

Designed And Tested
 With The Intent To
 Be In The Scope of
 ANSI B30.5



190 Ft. Boom, 140 Ft. Luffing Jib, 40 Ft. Fixed Jib

| Fixed Jib Oper. Rad. Feet | 88 Degree Boom Angle | | | 83 Degree Boom Angle | | | 70 Degree Boom Angle | | | Fixed Jib Oper. Rad. Feet |
|---------------------------|-----------------------|----------------------------|---------------------------|-----------------------|----------------------------|---------------------------|-----------------------|----------------------------|---------------------------|---------------------------|
| | Luffing Jib Ang. Deg. | Fixed Jib Point Elev. Feet | Fixed Jib Capacity Pounds | Luffing Jib Ang. Deg. | Fixed Jib Point Elev. Feet | Fixed Jib Capacity Pounds | Luffing Jib Ang. Deg. | Fixed Jib Point Elev. Feet | Fixed Jib Capacity Pounds | |
| 65 | 74.8 | 371.6 | 22,300 * | | | | | | | 65 |
| 70 | 73.1 | 370.1 | 22,100 * | | | | | | | 70 |
| 75 | 71.5 | 368.4 | 21,800 * | | | | | | | 75 |
| 80 | 69.8 | 366.6 | 21,600 * | | | | | | | 80 |
| 85 | 68.1 | 364.5 | 21,400 * | | | | | | | 85 |
| 90 | 66.3 | 362.3 | 21,100 * | | | | | | | 90 |
| 95 | 64.6 | 360.0 | 20,900 * | 70.3 | 365.6 | 21,800 * | | | | 95 |
| 100 | 62.8 | 357.4 | 20,300 * | 68.6 | 363.7 | 21,600 * | | | | 100 |
| 105 | 61.0 | 354.6 | 19,600 * | 66.9 | 361.5 | 21,400 * | | | | 105 |
| 110 | 59.1 | 351.6 | 18,900 * | 65.1 | 359.2 | 21,300 * | | | | 110 |
| 115 | 57.3 | 348.4 | 18,300 * | 63.3 | 356.7 | 20,900 * | | | | 115 |
| 120 | 55.3 | 344.9 | 17,700 * | 61.5 | 354.0 | 20,200 * | | | | 120 |
| 125 | 53.4 | 341.2 | 17,200 * | 59.7 | 351.0 | 19,500 * | | | | 125 |
| 130 | 51.3 | 337.2 | 16,700 * | 57.8 | 347.9 | 18,800 * | | | | 130 |
| 135 | 49.2 | 332.9 | 16,200 * | 55.9 | 344.5 | 18,200 * | | | | 135 |
| 140 | 47.1 | 328.3 | 15,700 * | 54.0 | 340.9 | 17,600 * | | | | 140 |
| 145 | 44.8 | 323.3 | 15,300 * | 51.9 | 337.0 | 17,100 * | | | | 145 |
| 150 | 42.5 | 317.9 | 14,900 * | 49.9 | 332.8 | 16,600 * | | | | 150 |
| 155 | 40.1 | 312.0 | 14,600 * | 47.7 | 328.2 | 16,100 * | | | | 155 |
| 160 | 37.5 | 305.6 | 14,200 * | 45.5 | 323.4 | 15,700 * | | | | 160 |
| 165 | 34.7 | 298.5 | 13,900 * | 43.2 | 318.1 | 15,300 * | | | | 165 |
| 170 | 31.8 | 290.6 | 13,600 * | 40.8 | 312.3 | 14,900 * | | | | 170 |
| 175 | 28.5 | 281.6 | 13,300 * | 38.3 | 306.1 | 14,500 * | 56.6 | 335.2 | 14,400 | 175 |
| 180 | 24.9 | 271.2 | 13,100 * | 35.6 | 299.2 | 14,200 * | 54.6 | 331.6 | 13,800 | 180 |
| 185 | 20.6 | 258.7 | 12,900 * | 32.7 | 291.5 | 13,900 * | 52.6 | 327.8 | 13,200 | 185 |
| 190 | 15.2 | 242.3 | 12,600 * | 29.5 | 282.9 | 13,600 * | 50.6 | 323.7 | 12,700 | 190 |
| 195 | 5.4 | 211.9 | 12,300 * | 26.0 | 273.1 | 13,300 * | 48.5 | 319.3 | 12,100 | 195 |
| 200 | | | | 22.0 | 261.3 | 13,100 * | 46.3 | 314.5 | 11,600 | 200 |
| 205 | | | | 17.0 | 246.4 | 12,900 * | 44.0 | 309.4 | 11,200 | 205 |
| 210 | | | | 9.6 | 223.5 | 12,700 * | 41.7 | 303.8 | 10,700 | 210 |
| 220 | | | | | | | 36.5 | 291.1 | 9,900 | 220 |
| 230 | | | | | | | 30.6 | 275.5 | 9,100 | 230 |
| 240 | | | | | | | 23.4 | 255.0 | 8,400 | 240 |
| 250 | | | | | | | 12.7 | 222.5 | 7,700 | 250 |

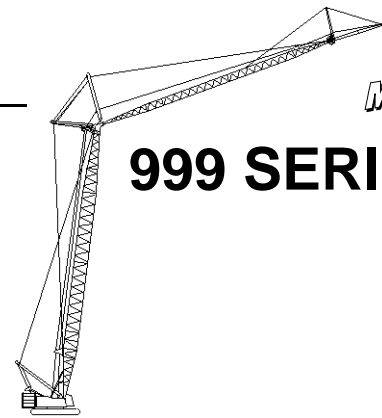


Liftcrane Fixed Jib Capacities

999 SERIES 2

Fixed Jib No. 138 At
3 Degree Offset Angle On
Luffing Jib No. 135 On
Boom No. 82 or 22EL
184,600 Lb. Crane Counterweight
44,000 Lb. Carbody Counterweight
360 Degree Rating

Designed And Tested
With The Intent To
Be In The Scope of
ANSI B30.5



190 Ft. Boom, 150 Ft. Luffing Jib, 40 Ft. Fixed Jib

| Fixed Jib Oper. Rad. Feet | 88 Degree Boom Angle | | | 83 Degree Boom Angle | | | 70 Degree Boom Angle | | | Fixed Jib Oper. Rad. Feet |
|---------------------------|-----------------------|----------------------------|---------------------------|-----------------------|----------------------------|---------------------------|-----------------------|----------------------------|---------------------------|---------------------------|
| | Luffing Jib Ang. Deg. | Fixed Jib Point Elev. Feet | Fixed Jib Capacity Pounds | Luffing Jib Ang. Deg. | Fixed Jib Point Elev. Feet | Fixed Jib Capacity Pounds | Luffing Jib Ang. Deg. | Fixed Jib Point Elev. Feet | Fixed Jib Capacity Pounds | |
| 65 | 75.6 | 382.0 | 21,900 * | | | | | | | 65 |
| 70 | 74.0 | 380.6 | 21,700 * | | | | | | | 70 |
| 75 | 72.5 | 379.0 | 21,400 * | | | | | | | 75 |
| 80 | 70.9 | 377.2 | 21,200 * | | | | | | | 80 |
| 85 | 69.3 | 375.3 | 21,000 * | | | | | | | 85 |
| 90 | 67.6 | 373.3 | 20,800 * | | | | | | | 90 |
| 95 | 66.0 | 371.0 | 20,600 * | | | | | | | 95 |
| 100 | 64.3 | 368.6 | 19,900 * | 69.8 | 374.4 | 21,200 * | | | | 100 |
| 105 | 62.6 | 366.0 | 19,200 * | 68.1 | 372.4 | 21,000 * | | | | 105 |
| 110 | 60.9 | 363.3 | 18,600 * | 66.5 | 370.2 | 20,900 * | | | | 110 |
| 115 | 59.2 | 360.3 | 18,000 * | 64.8 | 367.9 | 20,500 * | | | | 115 |
| 120 | 57.4 | 357.1 | 17,400 * | 63.2 | 365.3 | 19,800 * | | | | 120 |
| 125 | 55.6 | 353.6 | 16,900 * | 61.5 | 362.6 | 19,100 * | | | | 125 |
| 130 | 53.7 | 350.0 | 16,400 * | 59.7 | 359.7 | 18,500 * | | | | 130 |
| 135 | 51.8 | 346.1 | 15,900 * | 57.9 | 356.6 | 17,900 * | | | | 135 |
| 140 | 49.9 | 341.9 | 15,500 * | 56.1 | 353.2 | 17,300 * | | | | 140 |
| 145 | 47.8 | 337.3 | 15,100 * | 54.3 | 349.6 | 16,800 * | | | | 145 |
| 150 | 45.7 | 332.5 | 14,700 * | 52.4 | 345.8 | 16,300 * | | | | 150 |
| 155 | 43.6 | 327.3 | 14,400 * | 50.4 | 341.7 | 15,900 * | | | | 155 |
| 160 | 41.3 | 321.6 | 14,000 * | 48.4 | 337.2 | 15,500 * | | | | 160 |
| 165 | 38.9 | 315.5 | 13,700 * | 46.4 | 332.5 | 15,100 * | | | | 165 |
| 170 | 36.4 | 308.8 | 13,400 * | 44.2 | 327.4 | 14,700 * | | | | 170 |
| 175 | 33.8 | 301.5 | 13,100 * | 42.0 | 321.9 | 14,300 * | | | | 175 |
| 180 | 30.9 | 293.3 | 12,900 * | 39.7 | 315.9 | 14,000 * | 56.8 | 343.8 | 13,700 | 180 |
| 185 | 27.7 | 284.0 | 12,600 * | 37.2 | 309.4 | 13,700 * | 54.9 | 340.3 | 13,100 | 185 |
| 190 | 24.2 | 273.3 | 12,400 * | 34.6 | 302.3 | 13,400 * | 53.0 | 336.6 | 12,500 | 190 |
| 195 | 20.0 | 260.4 | 12,000 * | 31.8 | 294.3 | 13,100 * | 51.1 | 332.6 | 12,000 | 195 |
| 200 | 14.7 | 243.5 | 11,600 * | 28.7 | 285.4 | 12,900 * | 49.1 | 328.2 | 11,500 | 200 |
| 205 | | 212.2 | 11,200 * | 25.3 | 275.2 | 12,600 * | 47.1 | 323.6 | 11,000 | 205 |
| 210 | | | | 21.4 | 263.1 | 12,400 * | 45.0 | 318.6 | 10,600 | 210 |
| 220 | | | | 9.3 | 224.3 | 12,100 * | 40.5 | 307.5 | 9,700 | 220 |
| 230 | | | | | | | 35.5 | 294.2 | 9,000 | 230 |
| 240 | | | | | | | 29.8 | 278.1 | 8,200 | 240 |
| 250 | | | | | | | 22.8 | 257.0 | 7,600 | 250 |
| 260 | | | | | | | 12.3 | 223.5 | 6,900 | 260 |

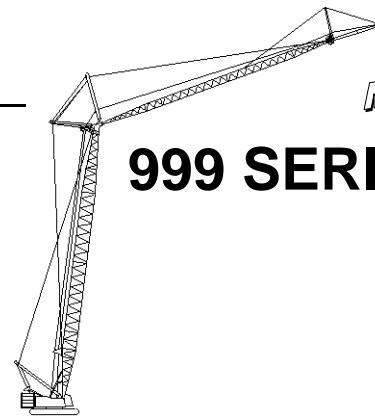


Liftcrane Fixed Jib Capacities

999 SERIES 2

Fixed Jib No. 138 At
3 Degree Offset Angle On
Luffing Jib No. 135 On
Boom No. 82 or 22EL
184,600 Lb. Crane Counterweight
44,000 Lb. Carbody Counterweight
360 Degree Rating

Designed And Tested
With The Intent To
Be In The Scope of
ANSI B30.5



190 Ft. Boom, 160 Ft. Luffing Jib, 40 Ft. Fixed Jib

| Fixed Jib Oper. Rad. Feet | 88 Degree Boom Angle | | | 83 Degree Boom Angle | | | 70 Degree Boom Angle | | | Fixed Jib Oper. Rad. Feet |
|---------------------------|-----------------------|----------------------------|---------------------------|-----------------------|----------------------------|---------------------------|-----------------------|----------------------------|---------------------------|---------------------------|
| | Luffing Jib Ang. Deg. | Fixed Jib Point Elev. Feet | Fixed Jib Capacity Pounds | Luffing Jib Ang. Deg. | Fixed Jib Point Elev. Feet | Fixed Jib Capacity Pounds | Luffing Jib Ang. Deg. | Fixed Jib Point Elev. Feet | Fixed Jib Capacity Pounds | |
| 70 | 74.9 | 391.0 | 21,200 * | | | | | | | 70 |
| 75 | 73.4 | 389.5 | 21,000 * | | | | | | | 75 |
| 80 | 71.9 | 387.9 | 20,800 * | | | | | | | 80 |
| 85 | 70.4 | 386.1 | 20,600 * | | | | | | | 85 |
| 90 | 68.8 | 384.1 | 20,400 * | | | | | | | 90 |
| 95 | 67.3 | 382.0 | 20,200 * | | | | | | | 95 |
| 100 | 65.7 | 379.7 | 19,500 * | 70.8 | 385.1 | 20,300 * | | | | 100 |
| 105 | 64.1 | 377.3 | 18,800 * | 69.3 | 383.2 | 20,100 * | | | | 105 |
| 110 | 62.5 | 374.7 | 18,200 * | 67.7 | 381.2 | 19,900 * | | | | 110 |
| 115 | 60.9 | 371.9 | 17,700 * | 66.2 | 378.9 | 19,800 * | | | | 115 |
| 120 | 59.2 | 368.9 | 17,100 * | 64.6 | 376.6 | 19,300 * | | | | 120 |
| 125 | 57.5 | 365.8 | 16,600 * | 63.0 | 374.0 | 18,700 * | | | | 125 |
| 130 | 55.8 | 362.4 | 16,100 * | 61.4 | 371.3 | 18,100 * | | | | 130 |
| 135 | 54.0 | 358.7 | 15,700 * | 59.7 | 368.4 | 17,500 * | | | | 135 |
| 140 | 52.2 | 354.9 | 15,300 * | 58.0 | 365.2 | 17,000 * | | | | 140 |
| 145 | 50.4 | 350.7 | 14,900 * | 56.3 | 361.9 | 16,500 * | | | | 145 |
| 150 | 48.5 | 346.3 | 14,500 * | 54.6 | 358.4 | 16,100 * | | | | 150 |
| 155 | 46.5 | 341.6 | 14,200 * | 52.8 | 354.6 | 15,600 * | | | | 155 |
| 160 | 44.5 | 336.6 | 13,800 * | 51.0 | 350.5 | 15,200 * | | | | 160 |
| 165 | 42.4 | 331.1 | 13,500 * | 49.1 | 346.2 | 14,800 * | | | | 165 |
| 170 | 40.2 | 325.3 | 13,300 * | 47.1 | 341.6 | 14,500 * | | | | 170 |
| 175 | 37.9 | 318.9 | 13,000 * | 45.1 | 336.6 | 14,100 * | | | | 175 |
| 180 | 35.5 | 312.0 | 12,700 * | 43.0 | 331.3 | 13,800 * | | | | 180 |
| 185 | 32.9 | 304.4 | 12,500 * | 40.9 | 325.6 | 13,500 * | 56.9 | 352.5 | 12,700 | 185 |
| 190 | 30.1 | 295.9 | 12,200 * | 38.6 | 319.4 | 13,200 * | 55.2 | 349.1 | 12,100 | 190 |
| 195 | 27.0 | 286.4 | 11,700 * | 36.2 | 312.6 | 13,000 * | 53.4 | 345.4 | 11,600 | 195 |
| 200 | 23.5 | 275.4 | 11,300 * | 33.7 | 305.2 | 12,700 * | 51.6 | 341.4 | 11,100 | 200 |
| 205 | 19.5 | 262.1 | 11,000 * | 30.9 | 297.1 | 12,500 * | 49.7 | 337.2 | 10,600 | 205 |
| 210 | 14.3 | 244.7 | 10,600 * | 28.0 | 287.9 | 12,300 * | 47.8 | 332.7 | 10,200 | 210 |
| 220 | | | | 20.8 | 264.9 | 11,900 * | 43.8 | 322.6 | 9,300 | 220 |
| 230 | | | | 9.0 | 225.0 | 11,600 * | 39.4 | 311.0 | 8,600 | 230 |
| 240 | | | | | | | 34.6 | 297.3 | 7,900 | 240 |
| 250 | | | | | | | 29.0 | 280.6 | 7,200 | 250 |
| 260 | | | | | | | 22.2 | 258.9 | 6,600 | 260 |
| 270 | | | | | | | 12.0 | 224.5 | 6,000 | 270 |

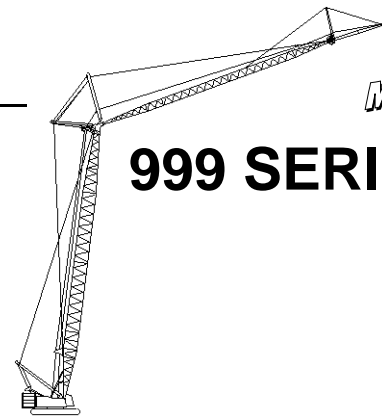


Liftcrane Fixed Jib Capacities

999 SERIES 2

Fixed Jib No. 138 At
3 Degree Offset Angle On
Luffing Jib No. 135 On
Boom No. 82 or 22EL
184,600 Lb. Crane Counterweight
44,000 Lb. Carbody Counterweight
360 Degree Rating

Designed And Tested
With The Intent To
Be In The Scope of
ANSI B30.5



190 Ft. Boom, 170 Ft. Luffing Jib, 40 Ft. Fixed Jib

| Fixed Jib Oper. Rad. Feet | 88 Degree Boom Angle | | | 83 Degree Boom Angle | | | 70 Degree Boom Angle | | | Fixed Jib Oper. Rad. Feet |
|---------------------------|-----------------------|----------------------------|---------------------------|-----------------------|----------------------------|---------------------------|-----------------------|----------------------------|---------------------------|---------------------------|
| | Luffing Jib Ang. Deg. | Fixed Jib Point Elev. Feet | Fixed Jib Capacity Pounds | Luffing Jib Ang. Deg. | Fixed Jib Point Elev. Feet | Fixed Jib Capacity Pounds | Luffing Jib Ang. Deg. | Fixed Jib Point Elev. Feet | Fixed Jib Capacity Pounds | |
| 70 | 75.6 | 401.4 | 19,800 * | | | | | | | 70 |
| 75 | 74.2 | 400.0 | 19,600 * | | | | | | | 75 |
| 80 | 72.8 | 398.4 | 19,300 * | | | | | | | 80 |
| 85 | 71.3 | 396.7 | 19,100 * | | | | | | | 85 |
| 90 | 69.9 | 394.9 | 18,900 * | | | | | | | 90 |
| 95 | 68.4 | 392.9 | 18,700 * | | | | | | | 95 |
| 100 | 66.9 | 390.7 | 18,400 * | | | | | | | 100 |
| 105 | 65.4 | 388.4 | 18,300 * | 70.3 | 393.9 | 18,200 * | | | | 105 |
| 110 | 63.9 | 386.0 | 17,800 * | 68.9 | 392.0 | 18,100 * | | | | 110 |
| 115 | 62.4 | 383.4 | 17,300 * | 67.4 | 389.9 | 17,900 * | | | | 115 |
| 120 | 60.8 | 380.6 | 16,700 * | 65.9 | 387.7 | 17,800 * | | | | 120 |
| 125 | 59.3 | 377.6 | 16,300 * | 64.4 | 385.3 | 17,600 * | | | | 125 |
| 130 | 57.7 | 374.4 | 15,800 * | 62.9 | 382.7 | 17,500 * | | | | 130 |
| 135 | 56.0 | 371.1 | 15,400 * | 61.3 | 379.9 | 17,100 * | | | | 135 |
| 140 | 54.3 | 367.5 | 15,000 * | 59.7 | 377.0 | 16,600 * | | | | 140 |
| 145 | 52.6 | 363.7 | 14,600 * | 58.1 | 373.9 | 16,200 * | | | | 145 |
| 150 | 50.9 | 359.6 | 14,200 * | 56.5 | 370.6 | 15,700 * | | | | 150 |
| 155 | 49.1 | 355.3 | 13,900 * | 54.9 | 367.1 | 15,300 * | | | | 155 |
| 160 | 47.2 | 350.7 | 13,600 * | 53.2 | 363.3 | 14,900 * | | | | 160 |
| 165 | 45.3 | 345.8 | 13,300 * | 51.4 | 359.4 | 14,500 * | | | | 165 |
| 170 | 43.4 | 340.5 | 13,000 * | 49.6 | 355.1 | 14,200 * | | | | 170 |
| 175 | 41.3 | 334.9 | 12,700 * | 47.8 | 350.6 | 13,900 * | | | | 175 |
| 180 | 39.2 | 328.8 | 12,500 * | 45.9 | 345.8 | 13,600 * | | | | 180 |
| 185 | 36.9 | 322.2 | 12,200 * | 44.0 | 340.6 | 13,300 * | | | | 185 |
| 190 | 34.6 | 315.0 | 11,800 * | 41.9 | 335.1 | 13,000 * | 57.1 | 361.2 | 11,800 | 190 |
| 195 | 32.0 | 307.2 | 11,400 * | 39.8 | 329.2 | 12,700 * | 55.4 | 357.8 | 11,300 | 195 |
| 200 | 29.3 | 298.5 | 11,100 * | 37.6 | 322.7 | 12,500 * | 53.7 | 354.1 | 10,800 | 200 |
| 205 | 26.3 | 288.7 | 10,700 * | 35.3 | 315.8 | 12,300 * | 52.0 | 350.2 | 10,300 | 205 |
| 210 | 22.9 | 277.3 | 10,400 * | 32.8 | 308.1 | 12,000 * | 50.3 | 346.1 | 9,900 | 210 |
| 220 | 14.0 | 245.9 | 9,800 * | 27.2 | 290.3 | 11,600 * | 46.6 | 336.9 | 9,100 | 220 |
| 230 | | | | 20.3 | 266.6 | 11,300 * | 42.6 | 326.5 | 8,300 | 230 |
| 240 | | | | 8.8 | 225.7 | 11,100 * | 38.4 | 314.5 | 7,600 | 240 |
| 250 | | | | | | | 33.7 | 300.3 | 7,000 | 250 |
| 260 | | | | | | | 28.3 | 283.1 | 6,400 | 260 |
| 270 | | | | | | | 21.6 | 260.8 | 5,800 | 270 |
| 280 | | | | | | | 11.6 | 225.5 | 5,200 | 280 |

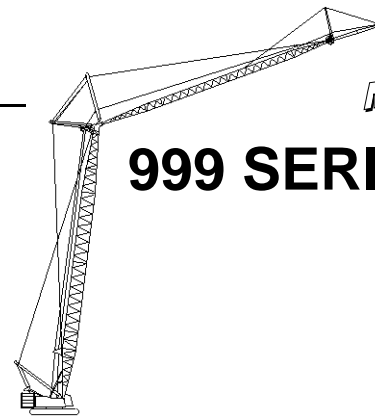


Liftcrane Fixed Jib Capacities

999 SERIES 2

Fixed Jib No. 138 At
 3 Degree Offset Angle On
 Luffing Jib No. 135 On
 Boom No. 82 or 22EL
 184,600 Lb. Crane Counterweight
 44,000 Lb. Carbody Counterweight
 360 Degree Rating

Designed And Tested
 With The Intent To
 Be In The Scope of
 ANSI B30.5



190 Ft. Boom, 140 Ft. Luffing Jib, 50 Ft. Fixed Jib

| Fixed Jib Oper. Rad. Feet | 88 Degree Boom Angle | | | 83 Degree Boom Angle | | | 70 Degree Boom Angle | | | Fixed Jib Oper. Rad. Feet |
|---------------------------|-----------------------|----------------------------|---------------------------|-----------------------|----------------------------|---------------------------|-----------------------|----------------------------|---------------------------|---------------------------|
| | Luffing Jib Ang. Deg. | Fixed Jib Point Elev. Feet | Fixed Jib Capacity Pounds | Luffing Jib Ang. Deg. | Fixed Jib Point Elev. Feet | Fixed Jib Capacity Pounds | Luffing Jib Ang. Deg. | Fixed Jib Point Elev. Feet | Fixed Jib Capacity Pounds | |
| 65 | 75.7 | 382.0 | 19,200 * | | | | | | | 65 |
| 70 | 74.1 | 380.6 | 18,900 * | | | | | | | 70 |
| 75 | 72.6 | 379.0 | 18,700 * | | | | | | | 75 |
| 80 | 71.0 | 377.3 | 18,400 * | | | | | | | 80 |
| 85 | 69.4 | 375.4 | 18,200 * | | | | | | | 85 |
| 90 | 67.7 | 373.3 | 18,000 * | | | | | | | 90 |
| 95 | 66.1 | 371.1 | 17,800 * | | | | | | | 95 |
| 100 | 64.4 | 368.6 | 17,500 * | 69.9 | 374.4 | 18,400 * | | | | 100 |
| 105 | 62.7 | 366.1 | 17,300 * | 68.2 | 372.4 | 18,200 * | | | | 105 |
| 110 | 61.0 | 363.3 | 16,700 * | 66.6 | 370.2 | 18,000 * | | | | 110 |
| 115 | 59.3 | 360.3 | 16,100 * | 64.9 | 367.9 | 17,800 * | | | | 115 |
| 120 | 57.5 | 357.1 | 15,600 * | 63.3 | 365.4 | 17,700 * | | | | 120 |
| 125 | 55.7 | 353.7 | 15,100 * | 61.5 | 362.6 | 17,200 * | | | | 125 |
| 130 | 53.8 | 350.0 | 14,600 * | 59.8 | 359.7 | 16,600 * | | | | 130 |
| 135 | 51.9 | 346.1 | 14,200 * | 58.0 | 356.6 | 16,000 * | | | | 135 |
| 140 | 49.9 | 341.9 | 13,800 * | 56.2 | 353.2 | 15,500 * | | | | 140 |
| 145 | 47.9 | 337.4 | 13,400 * | 54.4 | 349.6 | 15,000 * | | | | 145 |
| 150 | 45.8 | 332.5 | 13,000 * | 52.5 | 345.8 | 14,500 * | | | | 150 |
| 155 | 43.7 | 327.3 | 12,700 * | 50.5 | 341.7 | 14,100 * | | | | 155 |
| 160 | 41.4 | 321.6 | 12,400 * | 48.5 | 337.3 | 13,700 * | | | | 160 |
| 165 | 39.0 | 315.5 | 12,100 * | 46.5 | 332.5 | 13,300 * | | | | 165 |
| 170 | 36.5 | 308.8 | 11,800 * | 44.3 | 327.4 | 13,000 * | | | | 170 |
| 175 | 33.9 | 301.5 | 11,500 * | 42.1 | 321.9 | 12,600 * | | | | 175 |
| 180 | 31.0 | 293.3 | 11,300 * | 39.8 | 315.9 | 12,300 * | 56.9 | 343.9 | 13,800 | 180 |
| 185 | 27.8 | 284.0 | 11,000 * | 37.3 | 309.4 | 12,000 * | 55.0 | 340.3 | 13,200 | 185 |
| 190 | 24.3 | 273.3 | 10,800 * | 34.7 | 302.3 | 11,700 * | 53.1 | 336.6 | 12,700 | 190 |
| 195 | 20.1 | 260.5 | 10,600 * | 31.9 | 294.4 | 11,500 * | 51.2 | 332.6 | 12,200 | 195 |
| 200 | 14.8 | 243.6 | 10,500 * | 28.8 | 285.5 | 11,200 * | 49.2 | 328.3 | 11,700 | 200 |
| 205 | | 212.3 | 10,400 * | 25.4 | 275.3 | 11,000 * | 47.2 | 323.6 | 11,200 | 205 |
| 210 | | | | 21.5 | 263.2 | 10,800 * | 45.1 | 318.7 | 10,800 | 210 |
| 220 | | | | 9.4 | 224.3 | 10,500 * | 40.6 | 307.5 | 9,900 | 220 |
| 230 | | | | | | | 35.6 | 294.3 | 9,200 | 230 |
| 240 | | | | | | | 29.9 | 278.1 | 8,400 | 240 |
| 250 | | | | | | | 22.9 | 257.0 | 7,800 | 250 |
| 260 | | | | | | | 12.4 | 223.6 | 7,100 | 260 |

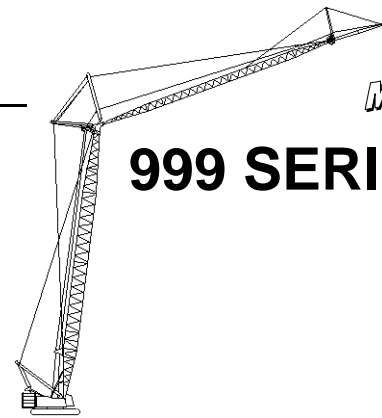


Liftcrane Fixed Jib Capacities

999 SERIES 2

Fixed Jib No. 138 At
 3 Degree Offset Angle On
 Luffing Jib No. 135 On
 Boom No. 82 or 22EL
 184,600 Lb. Crane Counterweight
 44,000 Lb. Carbody Counterweight
 360 Degree Rating

Designed And Tested
 With The Intent To
 Be In The Scope of
 ANSI B30.5



190 Ft. Boom, 150 Ft. Luffing Jib, 50 Ft. Fixed Jib

| Fixed Jib Oper. Rad. Feet | 88 Degree Boom Angle | | | 83 Degree Boom Angle | | | 70 Degree Boom Angle | | | Fixed Jib Oper. Rad. Feet |
|---------------------------|-----------------------|----------------------------|---------------------------|-----------------------|----------------------------|---------------------------|-----------------------|----------------------------|---------------------------|---------------------------|
| | Luffing Jib Ang. Deg. | Fixed Jib Point Elev. Feet | Fixed Jib Capacity Pounds | Luffing Jib Ang. Deg. | Fixed Jib Point Elev. Feet | Fixed Jib Capacity Pounds | Luffing Jib Ang. Deg. | Fixed Jib Point Elev. Feet | Fixed Jib Capacity Pounds | |
| 70 | 74.9 | 391.0 | 18,600 * | | | | | | | 70 |
| 75 | 73.5 | 389.5 | 18,400 * | | | | | | | 75 |
| 80 | 72.0 | 387.9 | 18,100 * | | | | | | | 80 |
| 85 | 70.4 | 386.1 | 17,900 * | | | | | | | 85 |
| 90 | 68.9 | 384.1 | 17,700 * | | | | | | | 90 |
| 95 | 67.4 | 382.0 | 17,500 * | | | | | | | 95 |
| 100 | 65.8 | 379.8 | 17,300 * | 70.9 | 385.1 | 18,100 * | | | | 100 |
| 105 | 64.2 | 377.3 | 17,000 * | 69.4 | 383.2 | 17,900 * | | | | 105 |
| 110 | 62.6 | 374.7 | 16,400 * | 67.8 | 381.2 | 17,700 * | | | | 110 |
| 115 | 61.0 | 371.9 | 15,800 * | 66.3 | 379.0 | 17,500 * | | | | 115 |
| 120 | 59.3 | 368.9 | 15,300 * | 64.7 | 376.6 | 17,200 * | | | | 120 |
| 125 | 57.6 | 365.8 | 14,800 * | 63.1 | 374.0 | 16,800 * | | | | 125 |
| 130 | 55.9 | 362.4 | 14,400 * | 61.5 | 371.3 | 16,300 * | | | | 130 |
| 135 | 54.1 | 358.7 | 13,900 * | 59.8 | 368.4 | 15,700 * | | | | 135 |
| 140 | 52.3 | 354.9 | 13,500 * | 58.1 | 365.2 | 15,200 * | | | | 140 |
| 145 | 50.5 | 350.8 | 13,200 * | 56.4 | 361.9 | 14,700 * | | | | 145 |
| 150 | 48.6 | 346.3 | 12,800 * | 54.7 | 358.4 | 14,300 * | | | | 150 |
| 155 | 46.6 | 341.6 | 12,500 * | 52.9 | 354.6 | 13,900 * | | | | 155 |
| 160 | 44.6 | 336.6 | 12,200 * | 51.1 | 350.5 | 13,500 * | | | | 160 |
| 165 | 42.5 | 331.1 | 11,900 * | 49.2 | 346.2 | 13,100 * | | | | 165 |
| 170 | 40.3 | 325.3 | 11,600 * | 47.2 | 341.6 | 12,800 * | | | | 170 |
| 175 | 38.0 | 318.9 | 11,300 * | 45.2 | 336.6 | 12,400 * | | | | 175 |
| 180 | 35.6 | 312.0 | 11,100 * | 43.1 | 331.3 | 12,100 * | | | | 180 |
| 185 | 33.0 | 304.4 | 10,900 * | 41.0 | 325.6 | 11,800 * | 57.0 | 352.5 | 13,100 | 185 |
| 190 | 30.2 | 295.9 | 10,600 * | 38.7 | 319.4 | 11,600 * | 55.3 | 349.1 | 12,500 | 190 |
| 195 | 27.1 | 286.4 | 10,500 * | 36.3 | 312.6 | 11,300 * | 53.5 | 345.4 | 12,000 | 195 |
| 200 | 23.6 | 275.4 | 10,300 * | 33.8 | 305.3 | 11,100 * | 51.7 | 341.4 | 11,500 | 200 |
| 205 | 19.6 | 262.1 | 10,100 * | 31.0 | 297.1 | 10,800 * | 49.8 | 337.2 | 11,100 | 205 |
| 210 | 14.4 | 244.8 | 10,000 * | 28.0 | 287.9 | 10,600 * | 47.9 | 332.7 | 10,600 | 210 |
| 220 | | | | 20.9 | 264.9 | 10,300 * | 43.9 | 322.6 | 9,800 | 220 |
| 230 | | | | 9.2 | 225.1 | 10,000 * | 39.5 | 311.0 | 9,000 | 230 |
| 240 | | | | | | | 34.6 | 297.3 | 8,300 | 240 |
| 250 | | | | | | | 29.1 | 280.6 | 7,700 | 250 |
| 260 | | | | | | | 22.3 | 258.9 | 7,100 | 260 |
| 270 | | | | | | | 12.1 | 224.6 | 6,500 | 270 |

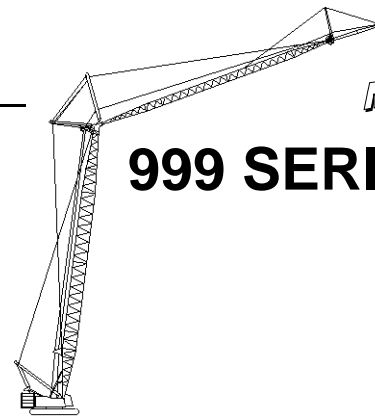


Liftcrane Fixed Jib Capacities

999 SERIES 2

Fixed Jib No. 138 At
3 Degree Offset Angle On
Luffing Jib No. 135 On
Boom No. 82 or 22EL
184,600 Lb. Crane Counterweight
44,000 Lb. Carbody Counterweight
360 Degree Rating

Designed And Tested
With The Intent To
Be In The Scope of
ANSI B30.5



190 Ft. Boom, 160 Ft. Luffing Jib, 50 Ft. Fixed Jib

| Fixed Jib Oper. Rad. Feet | 88 Degree Boom Angle | | | 83 Degree Boom Angle | | | 70 Degree Boom Angle | | | Fixed Jib Oper. Rad. Feet |
|---------------------------|-----------------------|----------------------------|---------------------------|-----------------------|----------------------------|---------------------------|-----------------------|----------------------------|---------------------------|---------------------------|
| | Luffing Jib Ang. Deg. | Fixed Jib Point Elev. Feet | Fixed Jib Capacity Pounds | Luffing Jib Ang. Deg. | Fixed Jib Point Elev. Feet | Fixed Jib Capacity Pounds | Luffing Jib Ang. Deg. | Fixed Jib Point Elev. Feet | Fixed Jib Capacity Pounds | |
| 70 | 75.7 | 401.4 | 18,200 * | | | | | | | 70 |
| 75 | 74.3 | 400.0 | 18,000 * | | | | | | | 75 |
| 80 | 72.8 | 398.4 | 17,700 * | | | | | | | 80 |
| 85 | 71.4 | 396.7 | 17,500 * | | | | | | | 85 |
| 90 | 70.0 | 394.9 | 17,200 * | | | | | | | 90 |
| 95 | 68.5 | 392.9 | 17,000 * | | | | | | | 95 |
| 100 | 67.0 | 390.7 | 16,800 * | | | | | | | 100 |
| 105 | 65.5 | 388.5 | 16,500 * | 70.4 | 393.9 | 16,800 * | | | | 105 |
| 110 | 64.0 | 386.0 | 16,100 * | 68.9 | 392.0 | 16,700 * | | | | 110 |
| 115 | 62.5 | 383.4 | 15,500 * | 67.5 | 389.9 | 16,500 * | | | | 115 |
| 120 | 60.9 | 380.6 | 15,100 * | 66.0 | 387.7 | 16,300 * | | | | 120 |
| 125 | 59.3 | 377.6 | 14,600 * | 64.5 | 385.3 | 16,100 * | | | | 125 |
| 130 | 57.7 | 374.4 | 14,100 * | 62.9 | 382.7 | 15,900 * | | | | 130 |
| 135 | 56.1 | 371.1 | 13,700 * | 61.4 | 380.0 | 15,400 * | | | | 135 |
| 140 | 54.4 | 367.5 | 13,300 * | 59.8 | 377.0 | 14,900 * | | | | 140 |
| 145 | 52.7 | 363.7 | 13,000 * | 58.2 | 373.9 | 14,500 * | | | | 145 |
| 150 | 51.0 | 359.6 | 12,600 * | 56.6 | 370.6 | 14,100 * | | | | 150 |
| 155 | 49.2 | 355.3 | 12,300 * | 54.9 | 367.1 | 13,700 * | | | | 155 |
| 160 | 47.3 | 350.7 | 12,000 * | 53.2 | 363.4 | 13,300 * | | | | 160 |
| 165 | 45.4 | 345.8 | 11,700 * | 51.5 | 359.4 | 12,900 * | | | | 165 |
| 170 | 43.5 | 340.5 | 11,500 * | 49.7 | 355.1 | 12,600 * | | | | 170 |
| 175 | 41.4 | 334.9 | 11,200 * | 47.9 | 350.6 | 12,300 * | | | | 175 |
| 180 | 39.3 | 328.8 | 11,000 * | 46.0 | 345.8 | 12,000 * | | | | 180 |
| 185 | 37.0 | 322.2 | 10,700 * | 44.1 | 340.6 | 11,700 * | | | | 185 |
| 190 | 34.7 | 315.1 | 10,500 * | 42.0 | 335.1 | 11,400 * | 57.2 | 361.2 | 12,100 | 190 |
| 195 | 32.1 | 307.2 | 10,300 * | 39.9 | 329.2 | 11,200 * | 55.5 | 357.8 | 11,600 | 195 |
| 200 | 29.4 | 298.5 | 10,100 * | 37.7 | 322.8 | 10,900 * | 53.8 | 354.1 | 11,100 | 200 |
| 205 | 26.4 | 288.7 | 10,000 * | 35.4 | 315.8 | 10,700 * | 52.1 | 350.2 | 10,700 | 205 |
| 210 | 23.0 | 277.4 | 9,800 * | 32.9 | 308.2 | 10,500 * | 50.3 | 346.1 | 10,200 | 210 |
| 220 | 14.1 | 245.9 | 9,400 * | 27.3 | 290.3 | 10,100 * | 46.7 | 336.9 | 9,400 | 220 |
| 230 | | | | 20.4 | 266.7 | 9,800 * | 42.7 | 326.5 | 8,600 | 230 |
| 240 | | | | 8.9 | 225.8 | 9,500 * | 38.5 | 314.5 | 7,900 | 240 |
| 250 | | | | | | | 33.8 | 300.3 | 7,300 | 250 |
| 260 | | | | | | | 28.4 | 283.1 | 6,700 | 260 |
| 270 | | | | | | | 21.7 | 260.8 | 6,100 | 270 |
| 280 | | | | | | | 11.7 | 225.5 | 5,600 | 280 |

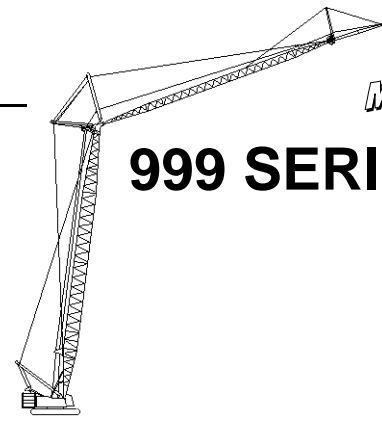


Liftcrane Fixed Jib Capacities

999 SERIES 2

Fixed Jib No. 138 At
3 Degree Offset Angle On
Luffing Jib No. 135 On
Boom No. 82 or 22EL
184,600 Lb. Crane Counterweight
44,000 Lb. Carbody Counterweight
360 Degree Rating

Designed And Tested
With The Intent To
Be In The Scope of
ANSI B30.5



190 Ft. Boom, 170 Ft. Luffing Jib, 50 Ft. Fixed Jib

| Fixed Jib Oper. Rad. Feet | 88 Degree Boom Angle | | | 83 Degree Boom Angle | | | 70 Degree Boom Angle | | | Fixed Jib Oper. Rad. Feet |
|---------------------------|-----------------------|----------------------------|---------------------------|-----------------------|----------------------------|---------------------------|-----------------------|----------------------------|---------------------------|---------------------------|
| | Luffing Jib Ang. Deg. | Fixed Jib Point Elev. Feet | Fixed Jib Capacity Pounds | Luffing Jib Ang. Deg. | Fixed Jib Point Elev. Feet | Fixed Jib Capacity Pounds | Luffing Jib Ang. Deg. | Fixed Jib Point Elev. Feet | Fixed Jib Capacity Pounds | |
| 75 | 75.0 | 410.4 | 16,800 * | | | | | | | 75 |
| 80 | 73.6 | 408.9 | 16,600 * | | | | | | | 80 |
| 85 | 72.3 | 407.3 | 16,300 * | | | | | | | 85 |
| 90 | 70.9 | 405.5 | 16,100 * | | | | | | | 90 |
| 95 | 69.5 | 403.7 | 15,900 * | | | | | | | 95 |
| 100 | 68.1 | 401.6 | 15,700 * | | | | | | | 100 |
| 105 | 66.7 | 399.5 | 15,500 * | | | | | | | 105 |
| 110 | 65.3 | 397.1 | 15,300 * | 69.9 | 402.7 | 15,500 * | | | | 110 |
| 115 | 63.8 | 394.7 | 15,100 * | 68.6 | 400.8 | 15,300 * | | | | 115 |
| 120 | 62.4 | 392.0 | 14,700 * | 67.1 | 398.6 | 15,200 * | | | | 120 |
| 125 | 60.9 | 389.2 | 14,300 * | 65.7 | 396.4 | 15,000 * | | | | 125 |
| 130 | 59.4 | 386.3 | 13,900 * | 64.3 | 393.9 | 14,900 * | | | | 130 |
| 135 | 57.8 | 383.1 | 13,500 * | 62.8 | 391.4 | 14,700 * | | | | 135 |
| 140 | 56.3 | 379.8 | 13,100 * | 61.3 | 388.6 | 14,600 * | | | | 140 |
| 145 | 54.7 | 376.2 | 12,700 * | 59.8 | 385.7 | 14,200 * | | | | 145 |
| 150 | 53.1 | 372.5 | 12,400 * | 58.3 | 382.6 | 13,800 * | | | | 150 |
| 155 | 51.4 | 368.5 | 12,100 * | 56.8 | 379.3 | 13,400 * | | | | 155 |
| 160 | 49.7 | 364.2 | 11,800 * | 55.2 | 375.8 | 13,000 * | | | | 160 |
| 165 | 48.0 | 359.7 | 11,500 * | 53.6 | 372.1 | 12,700 * | | | | 165 |
| 170 | 46.2 | 354.9 | 11,200 * | 51.9 | 368.2 | 12,300 * | | | | 170 |
| 175 | 44.3 | 349.8 | 11,000 * | 50.2 | 364.0 | 12,000 * | | | | 175 |
| 180 | 42.4 | 344.4 | 10,800 * | 48.5 | 359.6 | 11,800 * | | | | 180 |
| 185 | 40.4 | 338.5 | 10,500 * | 46.7 | 354.9 | 11,500 * | | | | 185 |
| 190 | 38.3 | 332.2 | 10,300 * | 44.9 | 349.9 | 11,200 * | | | | 190 |
| 195 | 36.1 | 325.4 | 10,100 * | 43.0 | 344.5 | 11,000 * | 57.3 | 369.9 | 11,300 | 195 |
| 200 | 33.8 | 318.0 | 9,900 * | 41.0 | 338.8 | 10,700 * | 55.7 | 366.5 | 10,800 | 200 |
| 205 | 31.3 | 310.0 | 9,800 * | 39.0 | 332.7 | 10,500 * | 54.1 | 362.9 | 10,400 | 205 |
| 210 | 28.7 | 301.0 | 9,600 * | 36.8 | 326.0 | 10,300 * | 52.5 | 359.0 | 9,900 | 210 |
| 220 | 22.5 | 279.3 | 9,200 * | 32.1 | 311.0 | 9,900 * | 49.1 | 350.6 | 9,100 | 220 |
| 230 | 13.7 | 247.1 | 8,700 * | 26.7 | 292.6 | 9,600 * | 45.5 | 341.1 | 8,400 | 230 |
| 240 | | | | 19.9 | 268.4 | 9,300 * | 41.7 | 330.3 | 7,700 | 240 |
| 250 | | | | 8.7 | 226.4 | 9,100 * | 37.5 | 317.8 | 7,000 | 250 |
| 260 | | | | | | | 33.0 | 303.2 | 6,400 | 260 |
| 270 | | | | | | | 27.7 | 285.5 | 5,900 | 270 |
| 280 | | | | | | | 21.2 | 262.6 | 5,400 | 280 |
| 290 | | | | | | | 11.5 | 226.4 | 4,900 | 290 |

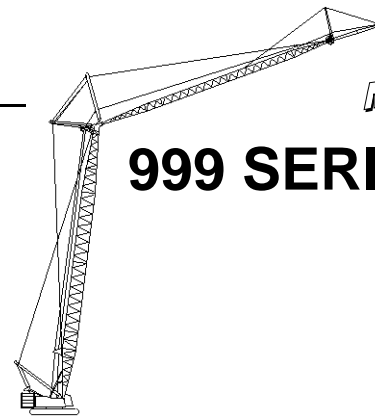


Liftcrane Fixed Jib Capacities

999 SERIES 2

Fixed Jib No. 138 At
 3 Degree Offset Angle On
 Luffing Jib No. 135 On
 Boom No. 82 or 22EL
 184,600 Lb. Crane Counterweight
 44,000 Lb. Carbody Counterweight
 360 Degree Rating

Designed And Tested
 With The Intent To
 Be In The Scope of
 ANSI B30.5



190 Ft. Boom, 140 Ft. Luffing Jib, 60 Ft. Fixed Jib

| Fixed Jib Oper. Rad. Feet | 88 Degree Boom Angle | | | 83 Degree Boom Angle | | | 70 Degree Boom Angle | | | Fixed Jib Oper. Rad. Feet |
|---------------------------|-----------------------|----------------------------|---------------------------|-----------------------|----------------------------|---------------------------|-----------------------|----------------------------|---------------------------|---------------------------|
| | Luffing Jib Ang. Deg. | Fixed Jib Point Elev. Feet | Fixed Jib Capacity Pounds | Luffing Jib Ang. Deg. | Fixed Jib Point Elev. Feet | Fixed Jib Capacity Pounds | Luffing Jib Ang. Deg. | Fixed Jib Point Elev. Feet | Fixed Jib Capacity Pounds | |
| 70 | 74.8 | 391.1 | 16,100 * | | | | | | | 70 |
| 75 | 73.3 | 389.6 | 15,800 * | | | | | | | 75 |
| 80 | 71.8 | 387.9 | 15,500 * | | | | | | | 80 |
| 85 | 70.2 | 386.1 | 15,100 * | | | | | | | 85 |
| 90 | 68.7 | 384.2 | 14,800 * | | | | | | | 90 |
| 95 | 67.2 | 382.1 | 14,500 * | | | | | | | 95 |
| 100 | 65.6 | 379.8 | 14,200 * | 70.7 | 385.2 | 14,900 * | | | | 100 |
| 105 | 64.0 | 377.4 | 13,900 * | 69.2 | 383.3 | 14,700 * | | | | 105 |
| 110 | 62.4 | 374.8 | 13,700 * | 67.6 | 381.2 | 14,400 * | | | | 110 |
| 115 | 60.8 | 372.0 | 13,400 * | 66.1 | 379.0 | 14,100 * | | | | 115 |
| 120 | 59.1 | 369.0 | 13,100 * | 64.5 | 376.6 | 13,800 * | | | | 120 |
| 125 | 57.4 | 365.8 | 12,900 * | 62.9 | 374.1 | 13,600 * | | | | 125 |
| 130 | 55.7 | 362.4 | 12,700 * | 61.3 | 371.3 | 13,400 * | | | | 130 |
| 135 | 53.9 | 358.8 | 12,500 * | 59.6 | 368.4 | 13,100 * | | | | 135 |
| 140 | 52.1 | 354.9 | 12,300 * | 57.9 | 365.3 | 12,900 * | | | | 140 |
| 145 | 50.3 | 350.8 | 11,900 * | 56.2 | 362.0 | 12,700 * | | | | 145 |
| 150 | 48.4 | 346.4 | 11,600 * | 54.5 | 358.4 | 12,500 * | | | | 150 |
| 155 | 46.4 | 341.7 | 11,300 * | 52.7 | 354.6 | 12,300 * | | | | 155 |
| 160 | 44.4 | 336.6 | 11,000 * | 50.9 | 350.6 | 12,100 * | | | | 160 |
| 165 | 42.3 | 331.2 | 10,700 * | 49.0 | 346.3 | 11,900 * | | | | 165 |
| 170 | 40.1 | 325.3 | 10,500 * | 47.0 | 341.6 | 11,600 * | | | | 170 |
| 175 | 37.8 | 319.0 | 10,200 * | 45.0 | 336.7 | 11,300 * | | | | 175 |
| 180 | 35.4 | 312.1 | 10,000 * | 43.0 | 331.4 | 11,000 * | | | | 180 |
| 185 | 32.8 | 304.5 | 9,800 * | 40.8 | 325.7 | 10,700 * | 56.8 | 352.6 | 12,000 * | 185 |
| 190 | 30.0 | 296.0 | 9,500 * | 38.5 | 319.5 | 10,400 * | 55.1 | 349.1 | 11,800 * | 190 |
| 195 | 26.9 | 286.5 | 9,300 * | 36.1 | 312.7 | 10,200 * | 53.3 | 345.4 | 11,700 * | 195 |
| 200 | 23.5 | 275.5 | 9,000 * | 33.6 | 305.3 | 9,900 * | 51.5 | 341.5 | 11,600 * | 200 |
| 205 | 19.4 | 262.3 | 8,800 * | 30.8 | 297.2 | 9,700 * | 49.6 | 337.2 | 11,200 * | 205 |
| 210 | 14.3 | 244.9 | 8,600 * | 27.9 | 288.0 | 9,500 * | 47.7 | 332.7 | 10,800 * | 210 |
| 220 | | | | 20.7 | 265.1 | 9,100 * | 43.7 | 322.7 | 10,000 * | 220 |
| 230 | | | | 9.0 | 225.4 | 8,700 * | 39.3 | 311.1 | 9,200 * | 230 |
| 240 | | | | | | | 34.5 | 297.4 | 8,500 * | 240 |
| 250 | | | | | | | 28.9 | 280.7 | 7,900 * | 250 |
| 260 | | | | | | | 22.1 | 259.0 | 7,200 * | 260 |
| 270 | | | | | | | 11.9 | 224.8 | 6,700 * | 270 |

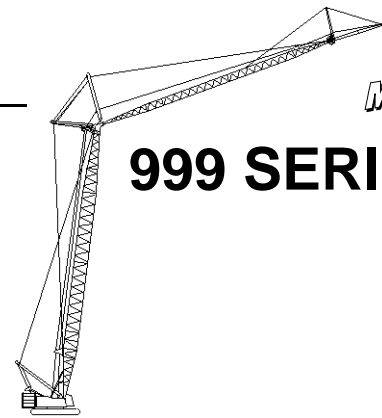


Liftcrane Fixed Jib Capacities

999 SERIES 2

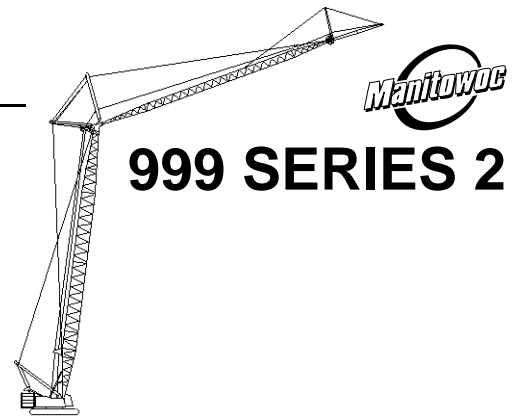
Fixed Jib No. 138 At
3 Degree Offset Angle On
Luffing Jib No. 135 On
Boom No. 82 or 22EL
184,600 Lb. Crane Counterweight
44,000 Lb. Carbody Counterweight
360 Degree Rating

Designed And Tested
With The Intent To
Be In The Scope of
ANSI B30.5



190 Ft. Boom, 150 Ft. Luffing Jib, 60 Ft. Fixed Jib

| Fixed Jib Oper. Rad. Feet | 88 Degree Boom Angle | | | 83 Degree Boom Angle | | | 70 Degree Boom Angle | | | Fixed Jib Oper. Rad. Feet |
|---------------------------|-----------------------|----------------------------|---------------------------|-----------------------|----------------------------|---------------------------|-----------------------|----------------------------|---------------------------|---------------------------|
| | Luffing Jib Ang. Deg. | Fixed Jib Point Elev. Feet | Fixed Jib Capacity Pounds | Luffing Jib Ang. Deg. | Fixed Jib Point Elev. Feet | Fixed Jib Capacity Pounds | Luffing Jib Ang. Deg. | Fixed Jib Point Elev. Feet | Fixed Jib Capacity Pounds | |
| 70 | 75.5 | 401.4 | 15,400 * | | | | | | | 70 |
| 75 | 74.1 | 400.0 | 15,200 * | | | | | | | 75 |
| 80 | 72.7 | 398.5 | 14,900 * | | | | | | | 80 |
| 85 | 71.2 | 396.8 | 14,600 * | | | | | | | 85 |
| 90 | 69.8 | 394.9 | 14,400 * | | | | | | | 90 |
| 95 | 68.3 | 392.9 | 14,100 * | | | | | | | 95 |
| 100 | 66.8 | 390.8 | 13,800 * | | | | | | | 100 |
| 105 | 65.3 | 388.5 | 13,600 * | 70.2 | 394.0 | 14,200 * | | | | 105 |
| 110 | 63.8 | 386.0 | 13,300 * | 68.8 | 392.0 | 13,900 * | | | | 110 |
| 115 | 62.3 | 383.4 | 13,000 * | 67.3 | 390.0 | 13,700 * | | | | 115 |
| 120 | 60.7 | 380.6 | 12,800 * | 65.8 | 387.7 | 13,400 * | | | | 120 |
| 125 | 59.2 | 377.7 | 12,600 * | 64.3 | 385.3 | 13,200 * | | | | 125 |
| 130 | 57.6 | 374.5 | 12,400 * | 62.8 | 382.7 | 13,000 * | | | | 130 |
| 135 | 55.9 | 371.1 | 12,200 * | 61.2 | 380.0 | 12,800 * | | | | 135 |
| 140 | 54.2 | 367.5 | 12,000 * | 59.6 | 377.1 | 12,600 * | | | | 140 |
| 145 | 52.5 | 363.7 | 11,800 * | 58.0 | 374.0 | 12,400 * | | | | 145 |
| 150 | 50.8 | 359.7 | 11,500 * | 56.4 | 370.7 | 12,200 * | | | | 150 |
| 155 | 49.0 | 355.4 | 11,200 * | 54.8 | 367.1 | 12,000 * | | | | 155 |
| 160 | 47.2 | 350.8 | 10,900 * | 53.1 | 363.4 | 11,800 * | | | | 160 |
| 165 | 45.2 | 345.8 | 10,600 * | 51.3 | 359.4 | 11,700 * | | | | 165 |
| 170 | 43.3 | 340.6 | 10,300 * | 49.5 | 355.2 | 11,400 * | | | | 170 |
| 175 | 41.2 | 334.9 | 10,100 * | 47.7 | 350.7 | 11,100 * | | | | 175 |
| 180 | 39.1 | 328.9 | 9,800 * | 45.8 | 345.9 | 10,800 * | | | | 180 |
| 185 | 36.8 | 322.3 | 9,600 * | 43.9 | 340.7 | 10,500 * | | | | 185 |
| 190 | 34.5 | 315.1 | 9,400 * | 41.9 | 335.2 | 10,300 * | 57.0 | 361.3 | 11,400 * | 190 |
| 195 | 32.0 | 307.3 | 9,200 * | 39.7 | 329.2 | 10,000 * | 55.3 | 357.8 | 11,300 * | 195 |
| 200 | 29.2 | 298.6 | 9,000 * | 37.5 | 322.8 | 9,800 * | 53.6 | 354.2 | 11,200 * | 200 |
| 205 | 26.2 | 288.8 | 8,800 * | 35.2 | 315.9 | 9,600 * | 51.9 | 350.3 | 11,100 | 205 |
| 210 | 22.9 | 277.5 | 8,700 * | 32.7 | 308.2 | 9,400 * | 50.2 | 346.1 | 10,600 | 210 |
| 220 | 13.9 | 246.1 | 8,400 * | 27.2 | 290.4 | 9,000 * | 46.5 | 337.0 | 9,800 | 220 |
| 230 | | | | 20.2 | 266.8 | 8,600 * | 42.6 | 326.6 | 9,000 | 230 |
| 240 | | | | 8.8 | 226.1 | 8,400 * | 38.3 | 314.5 | 8,400 | 240 |
| 250 | | | | | | | 33.6 | 300.4 | 7,700 | 250 |
| 260 | | | | | | | 28.2 | 283.2 | 7,100 | 260 |
| 270 | | | | | | | 21.6 | 260.9 | 6,600 | 270 |
| 280 | | | | | | | 11.6 | 225.7 | 6,000 | 280 |



Liftcrane Fixed Jib Capacities

999 SERIES 2

Fixed Jib No. 138 At
 3 Degree Offset Angle On
 Luffing Jib No. 135 On
 Boom No. 82 or 22EL
 184,600 Lb. Crane Counterweight
 44,000 Lb. Carbody Counterweight
 360 Degree Rating

Designed And Tested
 With The Intent To
 Be In The Scope of
 ANSI B30.5

190 Ft. Boom, 160 Ft. Luffing Jib, 60 Ft. Fixed Jib

| Fixed Jib Oper. Rad. Feet | 88 Degree Boom Angle | | | 83 Degree Boom Angle | | | 70 Degree Boom Angle | | | Fixed Jib Oper. Rad. Feet |
|---------------------------|-----------------------|----------------------------|---------------------------|-----------------------|----------------------------|---------------------------|-----------------------|----------------------------|---------------------------|---------------------------|
| | Luffing Jib Ang. Deg. | Fixed Jib Point Elev. Feet | Fixed Jib Capacity Pounds | Luffing Jib Ang. Deg. | Fixed Jib Point Elev. Feet | Fixed Jib Capacity Pounds | Luffing Jib Ang. Deg. | Fixed Jib Point Elev. Feet | Fixed Jib Capacity Pounds | |
| 75 | 74.8 | 410.4 | 14,500 * | | | | | | | 75 |
| 80 | 73.5 | 408.9 | 14,300 * | | | | | | | 80 |
| 85 | 72.1 | 407.3 | 14,000 * | | | | | | | 85 |
| 90 | 70.7 | 405.6 | 13,800 * | | | | | | | 90 |
| 95 | 69.3 | 403.7 | 13,600 * | | | | | | | 95 |
| 100 | 68.0 | 401.7 | 13,300 * | | | | | | | 100 |
| 105 | 66.5 | 399.5 | 13,100 * | | | | | | | 105 |
| 110 | 65.1 | 397.2 | 12,800 * | 69.8 | 402.8 | 13,400 * | | | | 110 |
| 115 | 63.7 | 394.7 | 12,600 * | 68.4 | 400.8 | 13,100 * | | | | 115 |
| 120 | 62.2 | 392.1 | 12,400 * | 67.0 | 398.7 | 13,000 * | | | | 120 |
| 125 | 60.7 | 389.3 | 12,200 * | 65.5 | 396.4 | 12,700 * | | | | 125 |
| 130 | 59.2 | 386.3 | 12,000 * | 64.1 | 394.0 | 12,500 * | | | | 130 |
| 135 | 57.7 | 383.2 | 11,900 * | 62.6 | 391.4 | 12,400 * | | | | 135 |
| 140 | 56.1 | 379.8 | 11,600 * | 61.2 | 388.7 | 12,200 * | | | | 140 |
| 145 | 54.5 | 376.3 | 11,500 * | 59.7 | 385.7 | 12,000 * | | | | 145 |
| 150 | 52.9 | 372.5 | 11,300 * | 58.1 | 382.6 | 11,800 * | | | | 150 |
| 155 | 51.2 | 368.5 | 11,000 * | 56.6 | 379.4 | 11,600 * | | | | 155 |
| 160 | 49.5 | 364.3 | 10,700 * | 55.0 | 375.9 | 11,500 * | | | | 160 |
| 165 | 47.8 | 359.8 | 10,400 * | 53.4 | 372.2 | 11,300 * | | | | 165 |
| 170 | 46.0 | 355.0 | 10,200 * | 51.7 | 368.3 | 11,200 * | | | | 170 |
| 175 | 44.1 | 349.9 | 9,900 * | 50.1 | 364.1 | 11,000 * | | | | 175 |
| 180 | 42.2 | 344.4 | 9,700 * | 48.3 | 359.7 | 10,700 * | | | | 180 |
| 185 | 40.2 | 338.6 | 9,500 * | 46.5 | 355.0 | 10,400 * | | | | 185 |
| 190 | 38.1 | 332.3 | 9,300 * | 44.7 | 350.0 | 10,100 * | | | | 190 |
| 195 | 36.0 | 325.5 | 9,100 * | 42.8 | 344.6 | 9,900 * | 57.1 | 370.0 | 10,800 * | 195 |
| 200 | 33.7 | 318.1 | 8,900 * | 40.8 | 338.9 | 9,700 * | 55.5 | 366.5 | 10,700 * | 200 |
| 205 | 31.2 | 310.0 | 8,700 * | 38.8 | 332.7 | 9,500 * | 53.9 | 362.9 | 10,600 * | 205 |
| 210 | 28.5 | 301.1 | 8,600 * | 36.6 | 326.1 | 9,300 * | 52.3 | 359.1 | 10,200 | 210 |
| 220 | 22.3 | 279.4 | 8,300 * | 31.9 | 311.1 | 8,900 * | 48.9 | 350.7 | 9,400 | 220 |
| 230 | 13.6 | 247.3 | 8,000 * | 26.5 | 292.7 | 8,500 * | 45.3 | 341.2 | 8,700 | 230 |
| 240 | | | | 19.7 | 268.5 | 8,200 * | 41.5 | 330.4 | 8,000 | 240 |
| 250 | | | | 8.6 | 226.8 | 8,000 * | 37.4 | 317.9 | 7,300 | 250 |
| 260 | | | | | | | 32.8 | 303.3 | 6,800 | 260 |
| 270 | | | | | | | 27.5 | 285.6 | 6,200 | 270 |
| 280 | | | | | | | 21.0 | 262.7 | 5,700 | 280 |
| 290 | | | | | | | 11.3 | 226.7 | 5,200 | 290 |

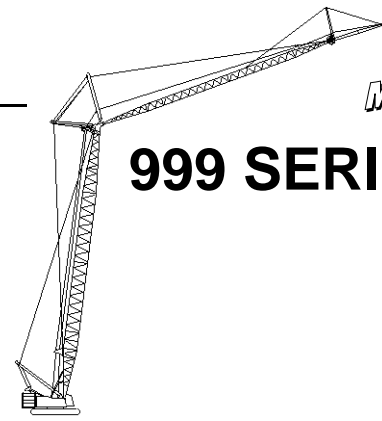


Liftcrane Fixed Jib Capacities

999 SERIES 2

Fixed Jib No. 138 At
3 Degree Offset Angle On
Luffing Jib No. 135 On
Boom No. 82 or 22EL
184,600 Lb. Crane Counterweight
44,000 Lb. Carbody Counterweight
360 Degree Rating

Designed And Tested
With The Intent To
Be In The Scope of
ANSI B30.5



190 Ft. Boom, 170 Ft. Luffing Jib, 60 Ft. Fixed Jib

| Fixed Jib Oper. Rad. Feet | 88 Degree Boom Angle | | | 83 Degree Boom Angle | | | 70 Degree Boom Angle | | | Fixed Jib Oper. Rad. Feet |
|---------------------------|-----------------------|----------------------------|---------------------------|-----------------------|----------------------------|---------------------------|-----------------------|----------------------------|---------------------------|---------------------------|
| | Luffing Jib Ang. Deg. | Fixed Jib Point Elev. Feet | Fixed Jib Capacity Pounds | Luffing Jib Ang. Deg. | Fixed Jib Point Elev. Feet | Fixed Jib Capacity Pounds | Luffing Jib Ang. Deg. | Fixed Jib Point Elev. Feet | Fixed Jib Capacity Pounds | |
| 75 | 75.5 | 420.8 | 13,800 * | | | | | | | 75 |
| 80 | 74.2 | 419.4 | 13,600 * | | | | | | | 80 |
| 85 | 72.9 | 417.9 | 13,400 * | | | | | | | 85 |
| 90 | 71.6 | 416.2 | 13,200 * | | | | | | | 90 |
| 95 | 70.3 | 414.4 | 13,000 * | | | | | | | 95 |
| 100 | 69.0 | 412.5 | 12,800 * | | | | | | | 100 |
| 105 | 67.6 | 410.4 | 12,600 * | | | | | | | 105 |
| 110 | 66.3 | 408.2 | 12,400 * | 70.7 | 413.5 | 12,700 * | | | | 110 |
| 115 | 64.9 | 405.9 | 12,200 * | 69.4 | 411.6 | 12,500 * | | | | 115 |
| 120 | 63.5 | 403.4 | 12,000 * | 68.0 | 409.6 | 12,400 * | | | | 120 |
| 125 | 62.1 | 400.8 | 11,800 * | 66.7 | 407.4 | 12,200 * | | | | 125 |
| 130 | 60.7 | 398.0 | 11,600 * | 65.3 | 405.1 | 12,000 * | | | | 130 |
| 135 | 59.2 | 395.0 | 11,400 * | 63.9 | 402.7 | 11,800 * | | | | 135 |
| 140 | 57.8 | 391.8 | 11,300 * | 62.5 | 400.1 | 11,700 * | | | | 140 |
| 145 | 56.3 | 388.5 | 11,100 * | 61.1 | 397.3 | 11,500 * | | | | 145 |
| 150 | 54.8 | 385.0 | 11,000 * | 59.7 | 394.4 | 11,400 * | | | | 150 |
| 155 | 53.2 | 381.3 | 10,800 * | 58.2 | 391.3 | 11,200 * | | | | 155 |
| 160 | 51.6 | 377.3 | 10,500 * | 56.7 | 388.0 | 11,100 * | | | | 160 |
| 165 | 50.0 | 373.2 | 10,300 * | 55.2 | 384.6 | 10,900 * | | | | 165 |
| 170 | 48.4 | 368.8 | 10,000 * | 53.7 | 380.9 | 10,800 * | | | | 170 |
| 175 | 46.7 | 364.1 | 9,800 * | 52.1 | 377.1 | 10,700 * | | | | 175 |
| 180 | 44.9 | 359.1 | 9,500 * | 50.5 | 373.0 | 10,500 * | | | | 180 |
| 185 | 43.1 | 353.8 | 9,300 * | 48.9 | 368.6 | 10,200 * | | | | 185 |
| 190 | 41.2 | 348.2 | 9,100 * | 47.2 | 364.0 | 10,000 * | | | | 190 |
| 195 | 39.3 | 342.1 | 8,900 * | 45.5 | 359.1 | 9,700 * | | | | 195 |
| 200 | 37.3 | 335.6 | 8,700 * | 43.7 | 353.9 | 9,500 * | 57.2 | 378.6 | 10,100 * | 200 |
| 205 | 35.1 | 328.6 | 8,600 * | 41.8 | 348.4 | 9,300 * | 55.7 | 375.3 | 10,100 * | 205 |
| 210 | 32.9 | 321.1 | 8,400 * | 39.9 | 342.5 | 9,100 * | 54.2 | 371.7 | 9,900 | 210 |
| 220 | 27.9 | 303.5 | 8,100 * | 35.8 | 329.3 | 8,700 * | 51.1 | 363.9 | 9,100 | 220 |
| 230 | 21.8 | 281.3 | 7,800 * | 31.2 | 313.8 | 8,400 * | 47.8 | 355.1 | 8,400 | 230 |
| 240 | 13.3 | 248.4 | 7,600 * | 25.9 | 295.0 | 8,100 * | 44.3 | 345.2 | 7,700 | 240 |
| 250 | | | | 19.3 | 270.1 | 7,800 * | 40.6 | 334.0 | 7,100 | 250 |
| 260 | | | | 8.4 | 227.4 | 7,600 * | 36.5 | 321.2 | 6,500 | 260 |
| 270 | | | | | | | 32.0 | 306.1 | 5,900 | 270 |
| 280 | | | | | | | 26.9 | 288.0 | 5,400 | 280 |
| 290 | | | | | | | 20.6 | 264.5 | 5,000 | 290 |
| 300 | | | | | | | 11.1 | 227.6 | 4,500 | 300 |

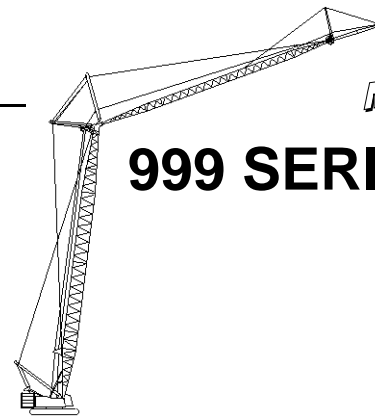


Liftcrane Fixed Jib Capacities

999 SERIES 2

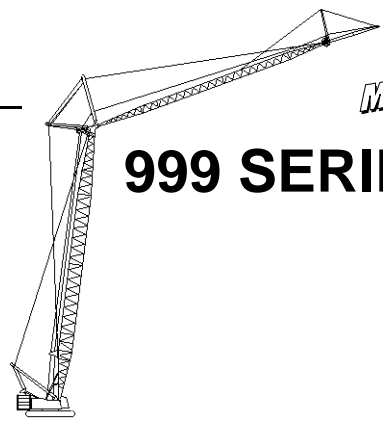
Fixed Jib No. 138 At
 3 Degree Offset Angle On
 Luffing Jib No. 135 On
 Boom No. 82 or 22EL
 184,600 Lb. Crane Counterweight
 44,000 Lb. Carbody Counterweight
 360 Degree Rating

Designed And Tested
 With The Intent To
 Be In The Scope of
 ANSI B30.5



200 Ft. Boom, 140 Ft. Luffing Jib, 30 Ft. Fixed Jib

| Fixed Jib Oper. Rad. Feet | 88 Degree Boom Angle | | | 83 Degree Boom Angle | | | 70 Degree Boom Angle | | | Fixed Jib Oper. Rad. Feet |
|---------------------------|-----------------------|----------------------------|---------------------------|-----------------------|----------------------------|---------------------------|-----------------------|----------------------------|---------------------------|---------------------------|
| | Luffing Jib Ang. Deg. | Fixed Jib Point Elev. Feet | Fixed Jib Capacity Pounds | Luffing Jib Ang. Deg. | Fixed Jib Point Elev. Feet | Fixed Jib Capacity Pounds | Luffing Jib Ang. Deg. | Fixed Jib Point Elev. Feet | Fixed Jib Capacity Pounds | |
| 60 | 75.3 | 372.8 | 26,800 * | | | | | | | 60 |
| 65 | 73.5 | 371.3 | 26,500 * | | | | | | | 65 |
| 70 | 71.8 | 369.7 | 26,300 * | | | | | | | 70 |
| 75 | 70.0 | 367.9 | 26,000 * | | | | | | | 75 |
| 80 | 68.2 | 366.0 | 25,800 * | | | | | | | 80 |
| 85 | 66.4 | 363.8 | 25,500 * | | | | | | | 85 |
| 90 | 64.5 | 361.5 | 25,300 * | 70.9 | 367.3 | 26,200 * | | | | 90 |
| 95 | 62.7 | 358.9 | 24,900 * | 69.1 | 365.4 | 26,000 * | | | | 95 |
| 100 | 60.7 | 356.2 | 24,000 * | 67.3 | 363.3 | 25,900 * | | | | 100 |
| 105 | 58.8 | 353.2 | 23,200 * | 65.4 | 361.1 | 25,700 * | | | | 105 |
| 110 | 56.8 | 350.0 | 22,400 * | 63.6 | 358.6 | 25,500 * | | | | 110 |
| 115 | 54.8 | 346.5 | 21,700 * | 61.7 | 356.0 | 24,900 * | | | | 115 |
| 120 | 52.7 | 342.8 | 21,100 * | 59.7 | 353.1 | 24,100 * | | | | 120 |
| 125 | 50.5 | 338.7 | 20,500 * | 57.7 | 350.0 | 23,300 * | | | | 125 |
| 130 | 48.3 | 334.4 | 19,900 * | 55.7 | 346.6 | 22,500 * | | | | 130 |
| 135 | 46.0 | 329.6 | 19,300 * | 53.7 | 343.0 | 21,800 * | | | | 135 |
| 140 | 43.6 | 324.5 | 18,800 * | 51.5 | 339.1 | 21,100 * | | | | 140 |
| 145 | 41.1 | 318.9 | 18,400 * | 49.3 | 334.9 | 20,500 * | | | | 145 |
| 150 | 38.4 | 312.7 | 17,900 * | 47.1 | 330.4 | 19,900 * | | | | 150 |
| 155 | 35.6 | 306.0 | 17,200 * | 44.7 | 325.4 | 19,400 * | | | | 155 |
| 160 | 32.5 | 298.4 | 16,500 * | 42.3 | 320.0 | 18,900 * | | | | 160 |
| 165 | 29.2 | 289.9 | 15,800 * | 39.7 | 314.2 | 18,400 * | | | | 165 |
| 170 | 25.5 | 280.0 | 15,200 * | 36.9 | 307.7 | 18,000 * | 57.3 | 338.2 | 14,400 | 170 |
| 175 | 21.2 | 268.0 | 14,600 * | 34.0 | 300.5 | 17,600 * | 55.3 | 334.8 | 13,800 | 175 |
| 180 | 15.7 | 252.5 | 14,100 * | 30.8 | 292.5 | 17,200 * | 53.2 | 331.1 | 13,200 | 180 |
| 185 | 6.6 | 225.8 | 13,700 * | 27.3 | 283.3 | 16,800 * | 51.1 | 327.2 | 12,600 | 185 |
| 190 | | | | 23.3 | 272.5 | 16,500 * | 48.9 | 322.9 | 12,100 | 190 |
| 195 | | | | 18.5 | 259.0 | 16,200 * | 46.6 | 318.2 | 11,500 | 195 |
| 200 | | | | 11.9 | 239.8 | 16,000 * | 44.2 | 313.2 | 11,000 | 200 |
| 205 | | | | | | | 41.7 | 307.7 | 10,600 | 205 |
| 210 | | | | | | | 39.1 | 301.7 | 10,100 | 210 |
| 220 | | | | | | | 33.3 | 287.8 | 9,300 | 220 |
| 230 | | | | | | | 26.5 | 270.0 | 8,500 | 230 |
| 240 | | | | | | | 17.3 | 244.4 | 7,800 | 240 |



Liftcrane Fixed Jib Capacities

999 SERIES 2

Fixed Jib No. 138 At
3 Degree Offset Angle On
Luffing Jib No. 135 On
Boom No. 82 or 22EL
184,600 Lb. Crane Counterweight
44,000 Lb. Carbody Counterweight
360 Degree Rating

Designed And Tested
With The Intent To
Be In The Scope of
ANSI B30.5

200 Ft. Boom, 150 Ft. Luffing Jib, 30 Ft. Fixed Jib

| Fixed Jib Oper. Rad. Feet | 88 Degree Boom Angle | | | 83 Degree Boom Angle | | | 70 Degree Boom Angle | | | Fixed Jib Oper. Rad. Feet |
|---------------------------|-----------------------|----------------------------|---------------------------|-----------------------|----------------------------|---------------------------|-----------------------|----------------------------|---------------------------|---------------------------|
| | Luffing Jib Ang. Deg. | Fixed Jib Point Elev. Feet | Fixed Jib Capacity Pounds | Luffing Jib Ang. Deg. | Fixed Jib Point Elev. Feet | Fixed Jib Capacity Pounds | Luffing Jib Ang. Deg. | Fixed Jib Point Elev. Feet | Fixed Jib Capacity Pounds | |
| 65 | 74.5 | 381.8 | 25,900 * | | | | | | | 65 |
| 70 | 72.8 | 380.3 | 25,700 * | | | | | | | 70 |
| 75 | 71.2 | 378.6 | 25,500 * | | | | | | | 75 |
| 80 | 69.5 | 376.7 | 25,300 * | | | | | | | 80 |
| 85 | 67.8 | 374.7 | 25,000 * | | | | | | | 85 |
| 90 | 66.0 | 372.5 | 24,800 * | | | | | | | 90 |
| 95 | 64.3 | 370.2 | 24,400 * | 70.3 | 376.1 | 25,400 * | | | | 95 |
| 100 | 62.5 | 367.6 | 23,500 * | 68.6 | 374.1 | 25,300 * | | | | 100 |
| 105 | 60.7 | 364.9 | 22,800 * | 66.9 | 372.0 | 25,100 * | | | | 105 |
| 110 | 58.9 | 361.9 | 22,000 * | 65.1 | 369.8 | 25,000 * | | | | 110 |
| 115 | 57.0 | 358.7 | 21,400 * | 63.4 | 367.3 | 24,400 * | | | | 115 |
| 120 | 55.1 | 355.2 | 20,700 * | 61.6 | 364.6 | 23,500 * | | | | 120 |
| 125 | 53.1 | 351.5 | 20,100 * | 59.7 | 361.8 | 22,800 * | | | | 125 |
| 130 | 51.1 | 347.6 | 19,600 * | 57.9 | 358.7 | 22,100 * | | | | 130 |
| 135 | 49.0 | 343.3 | 19,100 * | 56.0 | 355.3 | 21,400 * | | | | 135 |
| 140 | 46.8 | 338.7 | 18,600 * | 54.0 | 351.8 | 20,800 * | | | | 140 |
| 145 | 44.6 | 333.7 | 18,100 * | 52.0 | 347.9 | 20,200 * | | | | 145 |
| 150 | 42.3 | 328.4 | 17,400 * | 50.0 | 343.8 | 19,600 * | | | | 150 |
| 155 | 39.8 | 322.5 | 16,800 * | 47.9 | 339.4 | 19,100 * | | | | 155 |
| 160 | 37.3 | 316.1 | 16,100 * | 45.7 | 334.6 | 18,600 * | | | | 160 |
| 165 | 34.5 | 309.1 | 15,500 * | 43.4 | 329.4 | 18,200 * | | | | 165 |
| 170 | 31.6 | 301.2 | 14,900 * | 41.0 | 323.8 | 17,700 * | | | | 170 |
| 175 | 28.4 | 292.4 | 14,300 * | 38.5 | 317.7 | 17,300 * | 57.5 | 346.9 | 13,600 | 175 |
| 180 | 24.8 | 282.1 | 13,800 * | 35.9 | 310.9 | 17,000 * | 55.6 | 343.5 | 13,000 | 180 |
| 185 | 20.6 | 269.8 | 13,300 * | 33.0 | 303.5 | 16,600 * | 53.6 | 339.9 | 12,500 | 185 |
| 190 | 15.3 | 253.9 | 12,800 * | 29.9 | 295.2 | 16,300 * | 51.6 | 336.0 | 11,900 | 190 |
| 195 | 6.4 | 226.3 | 12,600 * | 26.5 | 285.6 | 16,000 * | 49.5 | 331.8 | 11,400 | 195 |
| 200 | | | | 22.7 | 274.4 | 15,700 * | 47.4 | 327.3 | 10,900 | 200 |
| 205 | | | | 18.0 | 260.5 | 15,400 * | 45.2 | 322.4 | 10,500 | 205 |
| 210 | | | | 11.5 | 240.8 | 15,200 * | 42.9 | 317.2 | 10,000 | 210 |
| 220 | | | | | | | 37.9 | 305.2 | 9,200 | 220 |
| 230 | | | | | | | 32.4 | 290.7 | 8,400 | 230 |
| 240 | | | | | | | 25.7 | 272.3 | 7,700 | 240 |
| 250 | | | | | | | 16.8 | 245.9 | 7,100 | 250 |

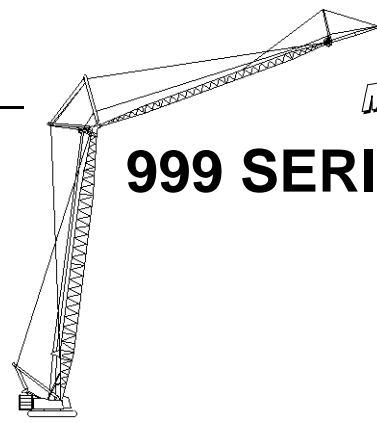


Liftcrane Fixed Jib Capacities

999 SERIES 2

Fixed Jib No. 138 At
3 Degree Offset Angle On
Luffing Jib No. 135 On
Boom No. 82 or 22EL
184,600 Lb. Crane Counterweight
44,000 Lb. Carbody Counterweight
360 Degree Rating

Designed And Tested
With The Intent To
Be In The Scope of
ANSI B30.5



200 Ft. Boom, 160 Ft. Luffing Jib, 30 Ft. Fixed Jib

| Fixed Jib Oper. Rad. Feet | 88 Degree Boom Angle | | | 83 Degree Boom Angle | | | 70 Degree Boom Angle | | | Fixed Jib Oper. Rad. Feet |
|---------------------------|-----------------------|----------------------------|---------------------------|-----------------------|----------------------------|---------------------------|-----------------------|----------------------------|---------------------------|---------------------------|
| | Luffing Jib Ang. Deg. | Fixed Jib Point Elev. Feet | Fixed Jib Capacity Pounds | Luffing Jib Ang. Deg. | Fixed Jib Point Elev. Feet | Fixed Jib Capacity Pounds | Luffing Jib Ang. Deg. | Fixed Jib Point Elev. Feet | Fixed Jib Capacity Pounds | |
| 65 | 75.3 | 392.2 | 24,400 * | | | | | | | 65 |
| 70 | 73.8 | 390.7 | 24,400 * | | | | | | | 70 |
| 75 | 72.2 | 389.2 | 23,900 * | | | | | | | 75 |
| 80 | 70.6 | 387.4 | 23,700 * | | | | | | | 80 |
| 85 | 69.0 | 385.5 | 23,500 * | | | | | | | 85 |
| 90 | 67.4 | 383.5 | 23,300 * | | | | | | | 90 |
| 95 | 65.7 | 381.3 | 23,000 * | | | | | | | 95 |
| 100 | 64.1 | 378.9 | 22,600 * | 69.8 | 384.9 | 22,600 * | | | | 100 |
| 105 | 62.4 | 376.3 | 22,100 * | 68.1 | 382.9 | 22,400 * | | | | 105 |
| 110 | 60.7 | 373.5 | 21,500 * | 66.5 | 380.8 | 22,300 * | | | | 110 |
| 115 | 58.9 | 370.5 | 20,900 * | 64.9 | 378.5 | 22,200 * | | | | 115 |
| 120 | 57.1 | 367.4 | 20,300 * | 63.2 | 376.0 | 22,100 * | | | | 120 |
| 125 | 55.3 | 364.0 | 19,700 * | 61.5 | 373.3 | 21,900 * | | | | 125 |
| 130 | 53.5 | 360.3 | 19,100 * | 59.8 | 370.4 | 21,600 * | | | | 130 |
| 135 | 51.6 | 356.4 | 18,500 * | 58.0 | 367.3 | 21,000 * | | | | 135 |
| 140 | 49.6 | 352.2 | 17,900 * | 56.2 | 364.0 | 20,400 * | | | | 140 |
| 145 | 47.6 | 347.7 | 17,300 * | 54.4 | 360.5 | 19,800 * | | | | 145 |
| 150 | 45.5 | 342.9 | 16,700 * | 52.5 | 356.7 | 19,300 * | | | | 150 |
| 155 | 43.3 | 337.7 | 16,100 * | 50.5 | 352.7 | 18,800 * | | | | 155 |
| 160 | 41.1 | 332.1 | 15,500 * | 48.6 | 348.3 | 18,400 * | | | | 160 |
| 165 | 38.7 | 326.0 | 15,000 * | 46.5 | 343.7 | 17,900 * | | | | 165 |
| 170 | 36.2 | 319.4 | 14,500 * | 44.4 | 338.7 | 17,500 * | | | | 170 |
| 175 | 33.6 | 312.1 | 13,900 * | 42.2 | 333.3 | 17,100 * | | | | 175 |
| 180 | 30.7 | 304.0 | 13,500 * | 39.9 | 327.4 | 16,800 * | 57.6 | 355.6 | 12,600 | 180 |
| 185 | 27.6 | 294.8 | 13,000 * | 37.4 | 321.0 | 16,400 * | 55.8 | 352.2 | 12,000 | 185 |
| 190 | 24.1 | 284.2 | 12,500 * | 34.9 | 314.1 | 16,100 * | 53.9 | 348.6 | 11,500 | 190 |
| 195 | 20.0 | 271.6 | 12,100 * | 32.1 | 306.4 | 15,800 * | 52.1 | 344.8 | 11,000 | 195 |
| 200 | 14.8 | 255.1 | 11,700 * | 29.1 | 297.7 | 15,500 * | 50.1 | 340.7 | 10,500 | 200 |
| 205 | | 238.8 | 11,300 * | 25.8 | 287.9 | 15,300 * | 48.1 | 336.3 | 10,100 | 205 |
| 210 | 6.2 | 226.8 | 11,000 * | 22.0 | 276.4 | 15,000 * | 46.1 | 331.6 | 9,600 | 210 |
| 220 | | | | 11.2 | 241.8 | 14,500 * | 41.7 | 321.0 | 8,800 | 220 |
| 230 | | | | | | | 36.9 | 308.5 | 8,100 | 230 |
| 240 | | | | | | | 31.5 | 293.5 | 7,400 | 240 |
| 250 | | | | | | | 25.0 | 274.5 | 6,700 | 250 |
| 260 | | | | | | | 16.3 | 247.3 | 6,100 | 260 |

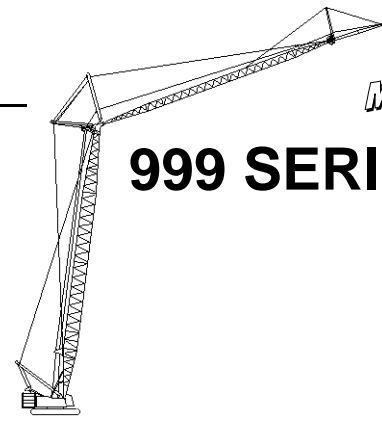


Liftcrane Fixed Jib Capacities

999 SERIES 2

Fixed Jib No. 138 At
3 Degree Offset Angle On
Luffing Jib No. 135 On
Boom No. 82 or 22EL
184,600 Lb. Crane Counterweight
44,000 Lb. Carbody Counterweight
360 Degree Rating

Designed And Tested
With The Intent To
Be In The Scope of
ANSI B30.5



200 Ft. Boom, 170 Ft. Luffing Jib, 30 Ft. Fixed Jib

| Fixed Jib Oper. Rad. Feet | 88 Degree Boom Angle | | | 83 Degree Boom Angle | | | 70 Degree Boom Angle | | | Fixed Jib Oper. Rad. Feet |
|---------------------------|-----------------------|----------------------------|---------------------------|-----------------------|----------------------------|---------------------------|-----------------------|----------------------------|---------------------------|---------------------------|
| | Luffing Jib Ang. Deg. | Fixed Jib Point Elev. Feet | Fixed Jib Capacity Pounds | Luffing Jib Ang. Deg. | Fixed Jib Point Elev. Feet | Fixed Jib Capacity Pounds | Luffing Jib Ang. Deg. | Fixed Jib Point Elev. Feet | Fixed Jib Capacity Pounds | |
| 70 | 74.6 | 401.2 | 21,700 * | | | | | | | 70 |
| 75 | 73.1 | 399.7 | 21,500 * | | | | | | | 75 |
| 80 | 71.6 | 398.0 | 21,300 * | | | | | | | 80 |
| 85 | 70.1 | 396.2 | 21,100 * | | | | | | | 85 |
| 90 | 68.6 | 394.3 | 20,800 * | | | | | | | 90 |
| 95 | 67.0 | 392.2 | 20,600 * | | | | | | | 95 |
| 100 | 65.4 | 390.0 | 20,300 * | 70.8 | 395.5 | 20,200 * | | | | 100 |
| 105 | 63.9 | 387.5 | 20,100 * | 69.3 | 393.7 | 20,100 * | | | | 105 |
| 110 | 62.3 | 384.9 | 19,900 * | 67.7 | 391.7 | 19,900 * | | | | 110 |
| 115 | 60.6 | 382.2 | 19,400 * | 66.2 | 389.5 | 19,800 * | | | | 115 |
| 120 | 59.0 | 379.2 | 18,900 * | 64.6 | 387.1 | 19,600 * | | | | 120 |
| 125 | 57.3 | 376.0 | 18,400 * | 63.0 | 384.6 | 19,500 * | | | | 125 |
| 130 | 55.6 | 372.7 | 17,900 * | 61.4 | 381.9 | 19,300 * | | | | 130 |
| 135 | 53.8 | 369.1 | 17,400 * | 59.8 | 379.1 | 19,200 * | | | | 135 |
| 140 | 52.0 | 365.2 | 16,900 * | 58.1 | 376.0 | 19,100 * | | | | 140 |
| 145 | 50.2 | 361.1 | 16,400 * | 56.4 | 372.7 | 19,000 * | | | | 145 |
| 150 | 48.3 | 356.7 | 15,900 * | 54.6 | 369.2 | 18,900 * | | | | 150 |
| 155 | 46.3 | 352.0 | 15,400 * | 52.9 | 365.5 | 18,400 * | | | | 155 |
| 160 | 44.3 | 347.0 | 14,900 * | 51.0 | 361.5 | 18,000 * | | | | 160 |
| 165 | 42.2 | 341.6 | 14,400 * | 49.2 | 357.3 | 17,500 * | | | | 165 |
| 170 | 40.0 | 335.8 | 13,900 * | 47.2 | 352.7 | 17,200 * | | | | 170 |
| 175 | 37.7 | 329.4 | 13,500 * | 45.3 | 347.9 | 16,800 * | | | | 175 |
| 180 | 35.3 | 322.6 | 13,000 * | 43.2 | 342.6 | 16,400 * | | | | 180 |
| 185 | 32.7 | 315.0 | 12,600 * | 41.1 | 337.0 | 16,100 * | 57.7 | 364.2 | 11,700 | 185 |
| 190 | 29.9 | 306.6 | 12,200 * | 38.8 | 330.9 | 15,800 * | 56.0 | 360.9 | 11,200 | 190 |
| 195 | 26.9 | 297.2 | 11,800 * | 36.4 | 324.3 | 15,500 * | 54.3 | 357.4 | 10,700 | 195 |
| 200 | 23.5 | 286.3 | 11,400 * | 33.9 | 317.1 | 15,200 * | 52.5 | 353.6 | 10,200 | 200 |
| 205 | 19.5 | 273.3 | 11,100 * | 31.3 | 309.2 | 15,000 * | 50.6 | 349.6 | 9,800 | 205 |
| 210 | 14.4 | 256.4 | 10,800 * | 28.4 | 300.3 | 14,800 * | 48.8 | 345.2 | 9,300 | 210 |
| 220 | | | | 21.5 | 278.2 | 14,200 * | 44.8 | 335.7 | 8,500 | 220 |
| 230 | | | | 10.9 | 242.7 | 13,300 * | 40.6 | 324.7 | 7,800 | 230 |
| 240 | | | | | | | 35.9 | 311.8 | 7,100 | 240 |
| 250 | | | | | | | 30.7 | 296.2 | 6,500 | 250 |
| 260 | | | | | | | 24.4 | 276.7 | 5,900 | 260 |
| 270 | | | | | | | 15.9 | 248.7 | 5,300 | 270 |

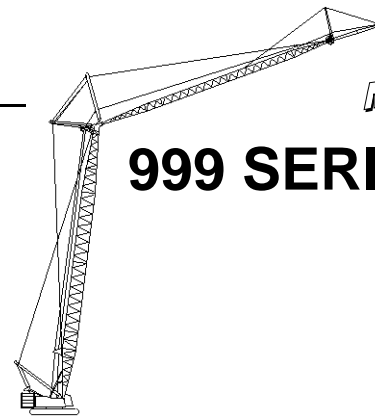


Liftcrane Fixed Jib Capacities

999 SERIES 2

Fixed Jib No. 138 At
 3 Degree Offset Angle On
 Luffing Jib No. 135 On
 Boom No. 82 or 22EL
 184,600 Lb. Crane Counterweight
 44,000 Lb. Carbody Counterweight
 360 Degree Rating

Designed And Tested
 With The Intent To
 Be In The Scope of
 ANSI B30.5



200 Ft. Boom, 140 Ft. Luffing Jib, 40 Ft. Fixed Jib

| Fixed Jib Oper. Rad. Feet | 88 Degree Boom Angle | | | 83 Degree Boom Angle | | | 70 Degree Boom Angle | | | Fixed Jib Oper. Rad. Feet |
|---------------------------|-----------------------|----------------------------|---------------------------|-----------------------|----------------------------|---------------------------|-----------------------|----------------------------|---------------------------|---------------------------|
| | Luffing Jib Ang. Deg. | Fixed Jib Point Elev. Feet | Fixed Jib Capacity Pounds | Luffing Jib Ang. Deg. | Fixed Jib Point Elev. Feet | Fixed Jib Capacity Pounds | Luffing Jib Ang. Deg. | Fixed Jib Point Elev. Feet | Fixed Jib Capacity Pounds | |
| 65 | 74.9 | 381.7 | 22,200 * | | | | | | | 65 |
| 70 | 73.2 | 380.2 | 21,900 * | | | | | | | 70 |
| 75 | 71.6 | 378.5 | 21,700 * | | | | | | | 75 |
| 80 | 69.9 | 376.7 | 21,500 * | | | | | | | 80 |
| 85 | 68.2 | 374.7 | 21,200 * | | | | | | | 85 |
| 90 | 66.5 | 372.5 | 21,000 * | | | | | | | 90 |
| 95 | 64.7 | 370.1 | 20,800 * | 70.7 | 376.0 | 21,700 * | | | | 95 |
| 100 | 62.9 | 367.6 | 20,300 * | 69.0 | 374.1 | 21,500 * | | | | 100 |
| 105 | 61.1 | 364.8 | 19,600 * | 67.3 | 372.0 | 21,300 * | | | | 105 |
| 110 | 59.3 | 361.8 | 19,000 * | 65.5 | 369.7 | 21,100 * | | | | 110 |
| 115 | 57.4 | 358.6 | 18,300 * | 63.8 | 367.2 | 21,000 * | | | | 115 |
| 120 | 55.5 | 355.2 | 17,700 * | 62.0 | 364.6 | 20,300 * | | | | 120 |
| 125 | 53.5 | 351.5 | 17,200 * | 60.1 | 361.7 | 19,600 * | | | | 125 |
| 130 | 51.5 | 347.5 | 16,700 * | 58.3 | 358.6 | 19,000 * | | | | 130 |
| 135 | 49.4 | 343.2 | 16,200 * | 56.4 | 355.3 | 18,400 * | | | | 135 |
| 140 | 47.2 | 338.6 | 15,800 * | 54.4 | 351.7 | 17,800 * | | | | 140 |
| 145 | 45.0 | 333.7 | 15,400 * | 52.4 | 347.9 | 17,200 * | | | | 145 |
| 150 | 42.7 | 328.3 | 15,000 * | 50.4 | 343.7 | 16,700 * | | | | 150 |
| 155 | 40.2 | 322.4 | 14,600 * | 48.3 | 339.3 | 16,200 * | | | | 155 |
| 160 | 37.7 | 316.0 | 14,300 * | 46.1 | 334.5 | 15,800 * | | | | 160 |
| 165 | 34.9 | 309.0 | 13,900 * | 43.8 | 329.3 | 15,400 * | | | | 165 |
| 170 | 32.0 | 301.1 | 13,600 * | 41.4 | 323.7 | 15,000 * | | | | 170 |
| 175 | 28.8 | 292.3 | 13,400 * | 38.9 | 317.6 | 14,600 * | 57.9 | 346.8 | 13,800 | 175 |
| 180 | 25.1 | 282.0 | 13,100 * | 36.3 | 310.9 | 14,300 * | 56.0 | 343.5 | 13,200 | 180 |
| 185 | 20.9 | 269.7 | 12,800 * | 33.4 | 303.4 | 14,000 * | 54.0 | 339.8 | 12,700 | 185 |
| 190 | 15.6 | 253.7 | 12,300 * | 30.3 | 295.1 | 13,700 * | 52.0 | 335.9 | 12,100 | 190 |
| 195 | 6.6 | 225.8 | 12,000 * | 26.9 | 285.5 | 13,400 * | 49.9 | 331.7 | 11,600 | 195 |
| 200 | | | | 23.0 | 274.3 | 13,200 * | 47.8 | 327.2 | 11,100 | 200 |
| 205 | | | | 18.3 | 260.4 | 12,900 * | 45.6 | 322.4 | 10,700 | 205 |
| 210 | | | | 11.9 | 240.5 | 12,700 * | 43.3 | 317.1 | 10,200 | 210 |
| 220 | | | | | | | 38.3 | 305.1 | 9,400 | 220 |
| 230 | | | | | | | 32.8 | 290.6 | 8,700 | 230 |
| 240 | | | | | | | 26.1 | 272.2 | 8,000 | 240 |
| 250 | | | | | | | 17.1 | 245.7 | 7,300 | 250 |

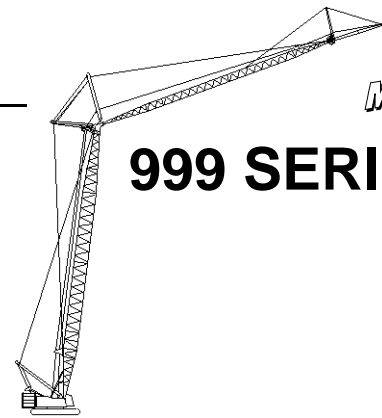


Liftcrane Fixed Jib Capacities

999 SERIES 2

Fixed Jib No. 138 At
3 Degree Offset Angle On
Luffing Jib No. 135 On
Boom No. 82 or 22EL
184,600 Lb. Crane Counterweight
44,000 Lb. Carbody Counterweight
360 Degree Rating

Designed And Tested
With The Intent To
Be In The Scope of
ANSI B30.5



200 Ft. Boom, 150 Ft. Luffing Jib, 40 Ft. Fixed Jib

| Fixed Jib Oper. Rad. Feet | 88 Degree Boom Angle | | | 83 Degree Boom Angle | | | 70 Degree Boom Angle | | | Fixed Jib Oper. Rad. Feet |
|---------------------------|-----------------------|----------------------------|---------------------------|-----------------------|----------------------------|---------------------------|-----------------------|----------------------------|---------------------------|---------------------------|
| | Luffing Jib Ang. Deg. | Fixed Jib Point Elev. Feet | Fixed Jib Capacity Pounds | Luffing Jib Ang. Deg. | Fixed Jib Point Elev. Feet | Fixed Jib Capacity Pounds | Luffing Jib Ang. Deg. | Fixed Jib Point Elev. Feet | Fixed Jib Capacity Pounds | |
| 65 | 75.7 | 392.1 | 21,800 * | | | | | | | 65 |
| 70 | 74.1 | 390.7 | 21,500 * | | | | | | | 70 |
| 75 | 72.6 | 389.1 | 21,300 * | | | | | | | 75 |
| 80 | 71.0 | 387.4 | 21,100 * | | | | | | | 80 |
| 85 | 69.4 | 385.5 | 20,900 * | | | | | | | 85 |
| 90 | 67.8 | 383.4 | 20,700 * | | | | | | | 90 |
| 95 | 66.1 | 381.2 | 20,500 * | | | | | | | 95 |
| 100 | 64.5 | 378.8 | 19,900 * | 70.1 | 384.8 | 21,100 * | | | | 100 |
| 105 | 62.8 | 376.2 | 19,200 * | 68.5 | 382.9 | 20,900 * | | | | 105 |
| 110 | 61.1 | 373.5 | 18,600 * | 66.9 | 380.7 | 20,700 * | | | | 110 |
| 115 | 59.3 | 370.5 | 18,000 * | 65.2 | 378.4 | 20,600 * | | | | 115 |
| 120 | 57.5 | 367.3 | 17,400 * | 63.6 | 375.9 | 19,900 * | | | | 120 |
| 125 | 55.7 | 363.9 | 16,900 * | 61.9 | 373.2 | 19,200 * | | | | 125 |
| 130 | 53.9 | 360.2 | 16,400 * | 60.1 | 370.4 | 18,600 * | | | | 130 |
| 135 | 51.9 | 356.3 | 16,000 * | 58.4 | 367.3 | 18,000 * | | | | 135 |
| 140 | 50.0 | 352.1 | 15,500 * | 56.6 | 364.0 | 17,500 * | | | | 140 |
| 145 | 48.0 | 347.7 | 15,100 * | 54.7 | 360.4 | 16,900 * | | | | 145 |
| 150 | 45.9 | 342.8 | 14,700 * | 52.9 | 356.7 | 16,500 * | | | | 150 |
| 155 | 43.7 | 337.6 | 14,400 * | 50.9 | 352.6 | 16,000 * | | | | 155 |
| 160 | 41.5 | 332.0 | 14,000 * | 48.9 | 348.3 | 15,600 * | | | | 160 |
| 165 | 39.1 | 325.9 | 13,700 * | 46.9 | 343.6 | 15,200 * | | | | 165 |
| 170 | 36.6 | 319.3 | 13,400 * | 44.8 | 338.6 | 14,800 * | | | | 170 |
| 175 | 34.0 | 312.0 | 13,200 * | 42.6 | 333.2 | 14,400 * | | | | 175 |
| 180 | 31.1 | 303.9 | 12,900 * | 40.2 | 327.3 | 14,100 * | 58.0 | 355.5 | 13,100 | 180 |
| 185 | 28.0 | 294.7 | 12,600 * | 37.8 | 321.0 | 13,800 * | 56.2 | 352.2 | 12,500 | 185 |
| 190 | 24.4 | 284.1 | 12,200 * | 35.2 | 314.0 | 13,500 * | 54.3 | 348.6 | 12,000 | 190 |
| 195 | 20.3 | 271.4 | 11,700 * | 32.5 | 306.3 | 13,200 * | 52.4 | 344.7 | 11,500 | 195 |
| 200 | 15.2 | 254.9 | 11,300 * | 29.5 | 297.6 | 12,900 * | 50.5 | 340.6 | 11,000 | 200 |
| 205 | | | | 26.2 | 287.8 | 12,700 * | 48.5 | 336.2 | 10,500 | 205 |
| 210 | 6.4 | 226.3 | 11,100 * | 22.4 | 276.2 | 12,500 * | 46.4 | 331.5 | 10,100 | 210 |
| 220 | | | | 11.5 | 241.5 | 12,100 * | 42.1 | 320.9 | 9,300 | 220 |
| 230 | | | | | | | 37.3 | 308.4 | 8,500 | 230 |
| 240 | | | | | | | 31.8 | 293.4 | 7,800 | 240 |
| 250 | | | | | | | 25.4 | 274.4 | 7,200 | 250 |
| 260 | | | | | | | 16.7 | 247.1 | 6,600 | 260 |

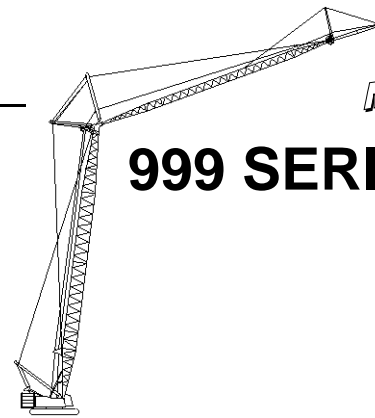


Liftcrane Fixed Jib Capacities

999 SERIES 2

Fixed Jib No. 138 At
3 Degree Offset Angle On
Luffing Jib No. 135 On
Boom No. 82 or 22EL
184,600 Lb. Crane Counterweight
44,000 Lb. Carbody Counterweight
360 Degree Rating

Designed And Tested
With The Intent To
Be In The Scope of
ANSI B30.5



200 Ft. Boom, 160 Ft. Luffing Jib, 40 Ft. Fixed Jib

| Fixed Jib Oper. Rad. Feet | 88 Degree Boom Angle | | | 83 Degree Boom Angle | | | 70 Degree Boom Angle | | | Fixed Jib Oper. Rad. Feet |
|---------------------------|-----------------------|----------------------------|---------------------------|-----------------------|----------------------------|---------------------------|-----------------------|----------------------------|---------------------------|---------------------------|
| | Luffing Jib Ang. Deg. | Fixed Jib Point Elev. Feet | Fixed Jib Capacity Pounds | Luffing Jib Ang. Deg. | Fixed Jib Point Elev. Feet | Fixed Jib Capacity Pounds | Luffing Jib Ang. Deg. | Fixed Jib Point Elev. Feet | Fixed Jib Capacity Pounds | |
| 70 | 75.0 | 401.1 | 21,000 * | | | | | | | 70 |
| 75 | 73.5 | 399.6 | 20,800 * | | | | | | | 75 |
| 80 | 72.0 | 398.0 | 20,600 * | | | | | | | 80 |
| 85 | 70.5 | 396.2 | 20,400 * | | | | | | | 85 |
| 90 | 68.9 | 394.2 | 20,200 * | | | | | | | 90 |
| 95 | 67.4 | 392.2 | 20,000 * | | | | | | | 95 |
| 100 | 65.8 | 389.9 | 19,500 * | | | | | | | 100 |
| 105 | 64.2 | 387.5 | 18,900 * | 69.7 | 393.6 | 19,700 * | | | | 105 |
| 110 | 62.6 | 384.9 | 18,200 * | 68.1 | 391.6 | 19,600 * | | | | 110 |
| 115 | 61.0 | 382.1 | 17,700 * | 66.6 | 389.4 | 19,500 * | | | | 115 |
| 120 | 59.3 | 379.1 | 17,100 * | 65.0 | 387.1 | 19,300 * | | | | 120 |
| 125 | 57.7 | 376.0 | 16,600 * | 63.4 | 384.6 | 18,800 * | | | | 125 |
| 130 | 55.9 | 372.6 | 16,100 * | 61.8 | 381.9 | 18,200 * | | | | 130 |
| 135 | 54.2 | 369.0 | 15,700 * | 60.1 | 379.0 | 17,700 * | | | | 135 |
| 140 | 52.4 | 365.1 | 15,300 * | 58.5 | 375.9 | 17,100 * | | | | 140 |
| 145 | 50.5 | 361.0 | 14,900 * | 56.8 | 372.7 | 16,600 * | | | | 145 |
| 150 | 48.6 | 356.6 | 14,500 * | 55.0 | 369.2 | 16,200 * | | | | 150 |
| 155 | 46.7 | 351.9 | 14,200 * | 53.2 | 365.4 | 15,700 * | | | | 155 |
| 160 | 44.7 | 346.9 | 13,900 * | 51.4 | 361.5 | 15,300 * | | | | 160 |
| 165 | 42.5 | 341.5 | 13,600 * | 49.5 | 357.2 | 14,900 * | | | | 165 |
| 170 | 40.4 | 335.7 | 13,300 * | 47.6 | 352.7 | 14,600 * | | | | 170 |
| 175 | 38.1 | 329.4 | 13,000 * | 45.6 | 347.8 | 14,200 * | | | | 175 |
| 180 | 35.6 | 322.5 | 12,700 * | 43.6 | 342.6 | 13,900 * | | | | 180 |
| 185 | 33.0 | 314.9 | 12,300 * | 41.4 | 336.9 | 13,600 * | | | | 185 |
| 190 | 30.3 | 306.5 | 11,900 * | 39.2 | 330.9 | 13,300 * | 56.4 | 360.9 | 11,600 | 190 |
| 195 | 27.2 | 297.1 | 11,500 * | 36.8 | 324.3 | 13,000 * | 54.6 | 357.3 | 11,100 | 195 |
| 200 | 23.8 | 286.2 | 11,100 * | 34.3 | 317.0 | 12,800 * | 52.8 | 353.5 | 10,600 | 200 |
| 205 | 19.8 | 273.1 | 10,700 * | 31.6 | 309.1 | 12,500 * | 51.0 | 349.5 | 10,100 | 205 |
| 210 | 14.8 | 256.2 | 10,400 * | 28.7 | 300.2 | 12,300 * | 49.1 | 345.2 | 9,700 | 210 |
| 220 | | | | 21.8 | 278.1 | 11,900 * | 45.2 | 335.6 | 8,900 | 220 |
| 230 | | | | 11.2 | 242.4 | 11,600 * | 40.9 | 324.6 | 8,100 | 230 |
| 240 | | | | | | | 36.3 | 311.7 | 7,500 | 240 |
| 250 | | | | | | | 31.0 | 296.1 | 6,800 | 250 |
| 260 | | | | | | | 24.7 | 276.5 | 6,200 | 260 |
| 270 | | | | | | | 16.2 | 248.5 | 5,700 | 270 |

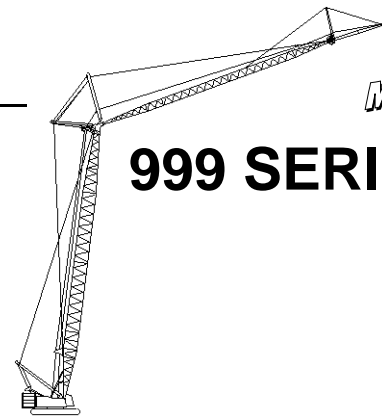


Liftcrane Fixed Jib Capacities

999 SERIES 2

Fixed Jib No. 138 At
3 Degree Offset Angle On
Luffing Jib No. 135 On
Boom No. 82 or 22EL
184,600 Lb. Crane Counterweight
44,000 Lb. Carbody Counterweight
360 Degree Rating

Designed And Tested
With The Intent To
Be In The Scope of
ANSI B30.5



200 Ft. Boom, 170 Ft. Luffing Jib, 40 Ft. Fixed Jib

| Fixed Jib Oper. Rad. Feet | 88 Degree Boom Angle | | | 83 Degree Boom Angle | | | 70 Degree Boom Angle | | | Fixed Jib Oper. Rad. Feet |
|---------------------------|-----------------------|----------------------------|---------------------------|-----------------------|----------------------------|---------------------------|-----------------------|----------------------------|---------------------------|---------------------------|
| | Luffing Jib Ang. Deg. | Fixed Jib Point Elev. Feet | Fixed Jib Capacity Pounds | Luffing Jib Ang. Deg. | Fixed Jib Point Elev. Feet | Fixed Jib Capacity Pounds | Luffing Jib Ang. Deg. | Fixed Jib Point Elev. Feet | Fixed Jib Capacity Pounds | |
| 70 | 75.7 | 411.5 | 19,400 * | | | | | | | 70 |
| 75 | 74.3 | 410.1 | 19,200 * | | | | | | | 75 |
| 80 | 72.9 | 408.5 | 19,000 * | | | | | | | 80 |
| 85 | 71.4 | 406.8 | 18,800 * | | | | | | | 85 |
| 90 | 70.0 | 405.0 | 18,500 * | | | | | | | 90 |
| 95 | 68.5 | 403.0 | 18,300 * | | | | | | | 95 |
| 100 | 67.0 | 400.9 | 18,100 * | | | | | | | 100 |
| 105 | 65.5 | 398.6 | 18,000 * | 70.7 | 404.3 | 17,900 * | | | | 105 |
| 110 | 64.0 | 396.2 | 17,800 * | 69.2 | 402.4 | 17,800 * | | | | 110 |
| 115 | 62.5 | 393.6 | 17,200 * | 67.7 | 400.3 | 17,600 * | | | | 115 |
| 120 | 61.0 | 390.8 | 16,700 * | 66.3 | 398.1 | 17,500 * | | | | 120 |
| 125 | 59.4 | 387.8 | 16,200 * | 64.8 | 395.8 | 17,300 * | | | | 125 |
| 130 | 57.8 | 384.7 | 15,800 * | 63.2 | 393.2 | 17,200 * | | | | 130 |
| 135 | 56.1 | 381.3 | 15,400 * | 61.7 | 390.6 | 17,100 * | | | | 135 |
| 140 | 54.5 | 377.7 | 15,000 * | 60.1 | 387.7 | 16,700 * | | | | 140 |
| 145 | 52.8 | 373.9 | 14,600 * | 58.5 | 384.6 | 16,300 * | | | | 145 |
| 150 | 51.0 | 369.9 | 14,200 * | 56.9 | 381.4 | 15,800 * | | | | 150 |
| 155 | 49.2 | 365.6 | 13,900 * | 55.3 | 377.9 | 15,400 * | | | | 155 |
| 160 | 47.4 | 361.0 | 13,600 * | 53.6 | 374.2 | 15,000 * | | | | 160 |
| 165 | 45.5 | 356.1 | 13,300 * | 51.8 | 370.3 | 14,600 * | | | | 165 |
| 170 | 43.5 | 350.9 | 13,000 * | 50.1 | 366.1 | 14,300 * | | | | 170 |
| 175 | 41.5 | 345.3 | 12,700 * | 48.3 | 361.7 | 13,900 * | | | | 175 |
| 180 | 39.3 | 339.2 | 12,300 * | 46.4 | 356.9 | 13,600 * | | | | 180 |
| 185 | 37.1 | 332.7 | 11,900 * | 44.5 | 351.8 | 13,300 * | | | | 185 |
| 190 | 34.7 | 325.6 | 11,600 * | 42.4 | 346.4 | 13,100 * | | | | 190 |
| 195 | 32.2 | 317.8 | 11,200 * | 40.4 | 340.6 | 12,800 * | 56.6 | 369.6 | 10,800 | 195 |
| 200 | 29.5 | 309.1 | 10,800 * | 38.2 | 334.3 | 12,500 * | 54.9 | 366.0 | 10,300 | 200 |
| 205 | 26.5 | 299.4 | 10,500 * | 35.9 | 327.5 | 12,300 * | 53.2 | 362.3 | 9,800 | 205 |
| 210 | 23.2 | 288.2 | 10,100 * | 33.4 | 320.0 | 12,100 * | 51.5 | 358.3 | 9,400 | 210 |
| 220 | 14.4 | 257.4 | 9,600 * | 28.0 | 302.6 | 11,700 * | 47.9 | 349.6 | 8,600 | 220 |
| 230 | | | | 21.2 | 279.9 | 11,400 * | 44.0 | 339.6 | 7,900 | 230 |
| 240 | | | | 10.9 | 243.3 | 11,100 * | 39.9 | 328.2 | 7,200 | 240 |
| 250 | | | | | | | 35.4 | 314.8 | 6,600 | 250 |
| 260 | | | | | | | 30.2 | 298.8 | 6,000 | 260 |
| 270 | | | | | | | 24.1 | 278.6 | 5,400 | 270 |
| 280 | | | | | | | 15.8 | 249.8 | 4,900 | 280 |

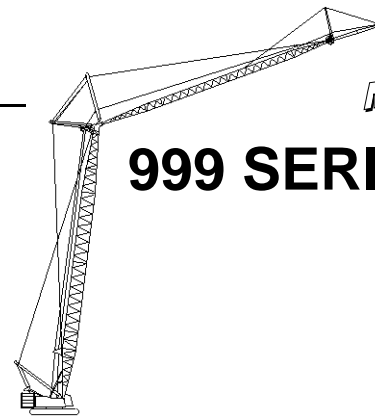


Liftcrane Fixed Jib Capacities

999 SERIES 2

Fixed Jib No. 138 At
 3 Degree Offset Angle On
 Luffing Jib No. 135 On
 Boom No. 82 or 22EL
 184,600 Lb. Crane Counterweight
 44,000 Lb. Carbody Counterweight
 360 Degree Rating

Designed And Tested
 With The Intent To
 Be In The Scope of
 ANSI B30.5



200 Ft. Boom, 140 Ft. Luffing Jib, 50 Ft. Fixed Jib

| Fixed Jib Oper. Rad. Feet | 88 Degree Boom Angle | | | 83 Degree Boom Angle | | | 70 Degree Boom Angle | | | Fixed Jib Oper. Rad. Feet |
|---------------------------|-----------------------|----------------------------|---------------------------|-----------------------|----------------------------|---------------------------|-----------------------|----------------------------|---------------------------|---------------------------|
| | Luffing Jib Ang. Deg. | Fixed Jib Point Elev. Feet | Fixed Jib Capacity Pounds | Luffing Jib Ang. Deg. | Fixed Jib Point Elev. Feet | Fixed Jib Capacity Pounds | Luffing Jib Ang. Deg. | Fixed Jib Point Elev. Feet | Fixed Jib Capacity Pounds | |
| 65 | 75.8 | 392.1 | 19,000 * | | | | | | | 65 |
| 70 | 74.2 | 390.7 | 18,800 * | | | | | | | 70 |
| 75 | 72.7 | 389.1 | 18,600 * | | | | | | | 75 |
| 80 | 71.1 | 387.4 | 18,300 * | | | | | | | 80 |
| 85 | 69.5 | 385.5 | 18,100 * | | | | | | | 85 |
| 90 | 67.9 | 383.4 | 17,900 * | | | | | | | 90 |
| 95 | 66.2 | 381.2 | 17,700 * | | | | | | | 95 |
| 100 | 64.6 | 378.8 | 17,500 * | 70.2 | 384.8 | 18,300 * | | | | 100 |
| 105 | 62.9 | 376.2 | 17,300 * | 68.6 | 382.9 | 18,100 * | | | | 105 |
| 110 | 61.1 | 373.5 | 16,700 * | 67.0 | 380.7 | 17,900 * | | | | 110 |
| 115 | 59.4 | 370.5 | 16,100 * | 65.3 | 378.4 | 17,800 * | | | | 115 |
| 120 | 57.6 | 367.3 | 15,600 * | 63.7 | 375.9 | 17,600 * | | | | 120 |
| 125 | 55.8 | 363.9 | 15,100 * | 62.0 | 373.2 | 17,300 * | | | | 125 |
| 130 | 53.9 | 360.3 | 14,600 * | 60.2 | 370.4 | 16,700 * | | | | 130 |
| 135 | 52.0 | 356.3 | 14,200 * | 58.5 | 367.3 | 16,100 * | | | | 135 |
| 140 | 50.1 | 352.2 | 13,800 * | 56.7 | 364.0 | 15,600 * | | | | 140 |
| 145 | 48.1 | 347.7 | 13,400 * | 54.8 | 360.5 | 15,100 * | | | | 145 |
| 150 | 46.0 | 342.8 | 13,000 * | 53.0 | 356.7 | 14,600 * | | | | 150 |
| 155 | 43.8 | 337.7 | 12,700 * | 51.0 | 352.6 | 14,200 * | | | | 155 |
| 160 | 41.6 | 332.0 | 12,400 * | 49.0 | 348.3 | 13,800 * | | | | 160 |
| 165 | 39.2 | 326.0 | 12,100 * | 47.0 | 343.6 | 13,400 * | | | | 165 |
| 170 | 36.7 | 319.3 | 11,800 * | 44.9 | 338.6 | 13,100 * | | | | 170 |
| 175 | 34.0 | 312.0 | 11,500 * | 42.7 | 333.2 | 12,700 * | | | | 175 |
| 180 | 31.2 | 303.9 | 11,300 * | 40.3 | 327.3 | 12,400 * | | | | 180 |
| 185 | 28.1 | 294.7 | 11,100 * | 37.9 | 321.0 | 12,100 * | 56.3 | 352.2 | 12,700 | 185 |
| 190 | 24.5 | 284.1 | 10,800 * | 35.3 | 314.0 | 11,800 * | 54.4 | 348.6 | 12,200 | 190 |
| 195 | 20.4 | 271.5 | 10,700 * | 32.6 | 306.3 | 11,600 * | 52.5 | 344.7 | 11,700 | 195 |
| 200 | 15.3 | 255.0 | 10,500 * | 29.6 | 297.7 | 11,300 * | 50.6 | 340.6 | 11,200 | 200 |
| 205 | 6.6 | 226.4 | 10,400 * | 26.3 | 287.8 | 11,100 * | 48.6 | 336.2 | 10,700 | 205 |
| 210 | | | | 22.5 | 276.3 | 10,900 * | 46.5 | 331.5 | 10,300 | 210 |
| 220 | | | | 11.6 | 241.5 | 10,500 * | 42.2 | 320.9 | 9,500 | 220 |
| 230 | | | | | | | 37.4 | 308.4 | 8,700 | 230 |
| 240 | | | | | | | 31.9 | 293.4 | 8,000 | 240 |
| 250 | | | | | | | 25.5 | 274.4 | 7,400 | 250 |
| 260 | | | | | | | 16.8 | 247.1 | 6,800 | 260 |

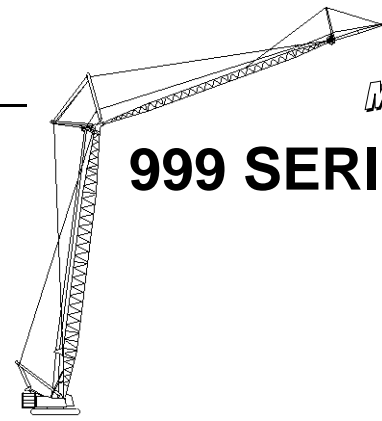


Liftcrane Fixed Jib Capacities

999 SERIES 2

Fixed Jib No. 138 At
3 Degree Offset Angle On
Luffing Jib No. 135 On
Boom No. 82 or 22EL
184,600 Lb. Crane Counterweight
44,000 Lb. Carbody Counterweight
360 Degree Rating

Designed And Tested
With The Intent To
Be In The Scope of
ANSI B30.5



200 Ft. Boom, 150 Ft. Luffing Jib, 50 Ft. Fixed Jib

| Fixed Jib Oper. Rad. Feet | 88 Degree Boom Angle | | | 83 Degree Boom Angle | | | 70 Degree Boom Angle | | | Fixed Jib Oper. Rad. Feet |
|---------------------------|-----------------------|----------------------------|---------------------------|-----------------------|----------------------------|---------------------------|-----------------------|----------------------------|---------------------------|---------------------------|
| | Luffing Jib Ang. Deg. | Fixed Jib Point Elev. Feet | Fixed Jib Capacity Pounds | Luffing Jib Ang. Deg. | Fixed Jib Point Elev. Feet | Fixed Jib Capacity Pounds | Luffing Jib Ang. Deg. | Fixed Jib Point Elev. Feet | Fixed Jib Capacity Pounds | |
| 70 | 75.1 | 401.1 | 18,500 * | | | | | | | 70 |
| 75 | 73.6 | 399.6 | 18,200 * | | | | | | | 75 |
| 80 | 72.1 | 398.0 | 18,000 * | | | | | | | 80 |
| 85 | 70.5 | 396.2 | 17,800 * | | | | | | | 85 |
| 90 | 69.0 | 394.3 | 17,600 * | | | | | | | 90 |
| 95 | 67.5 | 392.2 | 17,400 * | | | | | | | 95 |
| 100 | 65.9 | 389.9 | 17,200 * | | | | | | | 100 |
| 105 | 64.3 | 387.5 | 17,000 * | 69.7 | 393.6 | 17,800 * | | | | 105 |
| 110 | 62.7 | 384.9 | 16,400 * | 68.2 | 391.6 | 17,600 * | | | | 110 |
| 115 | 61.1 | 382.1 | 15,900 * | 66.7 | 389.4 | 17,300 * | | | | 115 |
| 120 | 59.4 | 379.2 | 15,300 * | 65.1 | 387.1 | 17,100 * | | | | 120 |
| 125 | 57.7 | 376.0 | 14,900 * | 63.5 | 384.6 | 16,800 * | | | | 125 |
| 130 | 56.0 | 372.6 | 14,400 * | 61.9 | 381.9 | 16,400 * | | | | 130 |
| 135 | 54.3 | 369.0 | 14,000 * | 60.2 | 379.0 | 15,900 * | | | | 135 |
| 140 | 52.5 | 365.2 | 13,600 * | 58.6 | 376.0 | 15,300 * | | | | 140 |
| 145 | 50.6 | 361.0 | 13,200 * | 56.8 | 372.7 | 14,900 * | | | | 145 |
| 150 | 48.7 | 356.7 | 12,800 * | 55.1 | 369.2 | 14,400 * | | | | 150 |
| 155 | 46.8 | 352.0 | 12,500 * | 53.3 | 365.4 | 14,000 * | | | | 155 |
| 160 | 44.7 | 346.9 | 12,200 * | 51.5 | 361.5 | 13,600 * | | | | 160 |
| 165 | 42.6 | 341.5 | 11,900 * | 49.6 | 357.2 | 13,200 * | | | | 165 |
| 170 | 40.5 | 335.7 | 11,600 * | 47.7 | 352.7 | 12,900 * | | | | 170 |
| 175 | 38.2 | 329.4 | 11,400 * | 45.7 | 347.8 | 12,500 * | | | | 175 |
| 180 | 35.7 | 322.5 | 11,100 * | 43.7 | 342.6 | 12,200 * | | | | 180 |
| 185 | 33.1 | 314.9 | 10,900 * | 41.5 | 336.9 | 11,900 * | | | | 185 |
| 190 | 30.4 | 306.5 | 10,700 * | 39.3 | 330.9 | 11,600 * | 56.5 | 360.9 | 12,000 | 190 |
| 195 | 27.3 | 297.1 | 10,500 * | 36.9 | 324.3 | 11,400 * | 54.7 | 357.3 | 11,500 | 195 |
| 200 | 23.9 | 286.2 | 10,300 * | 34.4 | 317.0 | 11,100 * | 52.9 | 353.5 | 11,000 | 200 |
| 205 | 19.9 | 273.1 | 10,100 * | 31.7 | 309.1 | 10,900 * | 51.1 | 349.5 | 10,600 | 205 |
| 210 | 14.9 | 256.2 | 10,000 * | 28.8 | 300.2 | 10,700 * | 49.2 | 345.2 | 10,100 | 210 |
| 220 | | | | 21.9 | 278.1 | 10,300 * | 45.3 | 335.6 | 9,300 | 220 |
| 230 | | | | 11.3 | 242.4 | 10,000 * | 41.0 | 324.6 | 8,600 | 230 |
| 240 | | | | | | | 36.4 | 311.7 | 7,900 | 240 |
| 250 | | | | | | | 31.1 | 296.2 | 7,300 | 250 |
| 260 | | | | | | | 24.8 | 276.5 | 6,700 | 260 |
| 270 | | | | | | | 16.3 | 248.5 | 6,100 | 270 |

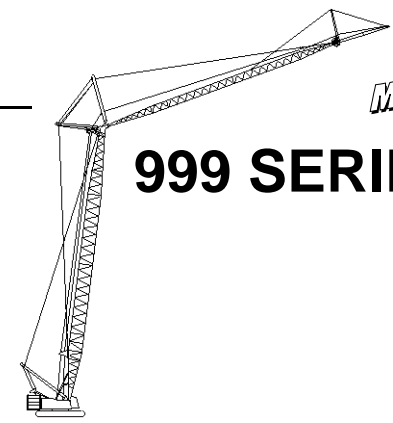


Liftcrane Fixed Jib Capacities

999 SERIES 2

Fixed Jib No. 138 At
3 Degree Offset Angle On
Luffing Jib No. 135 On
Boom No. 82 or 22EL
184,600 Lb. Crane Counterweight
44,000 Lb. Carbody Counterweight
360 Degree Rating

Designed And Tested
With The Intent To
Be In The Scope of
ANSI B30.5



200 Ft. Boom, 160 Ft. Luffing Jib, 50 Ft. Fixed Jib

| Fixed Jib Oper. Rad. Feet | 88 Degree Boom Angle | | | 83 Degree Boom Angle | | | 70 Degree Boom Angle | | | Fixed Jib Oper. Rad. Feet |
|---------------------------|-----------------------|----------------------------|---------------------------|-----------------------|----------------------------|---------------------------|-----------------------|----------------------------|---------------------------|---------------------------|
| | Luffing Jib Ang. Deg. | Fixed Jib Point Elev. Feet | Fixed Jib Capacity Pounds | Luffing Jib Ang. Deg. | Fixed Jib Point Elev. Feet | Fixed Jib Capacity Pounds | Luffing Jib Ang. Deg. | Fixed Jib Point Elev. Feet | Fixed Jib Capacity Pounds | |
| 70 | 75.8 | 411.5 | 18,000 * | | | | | | | 70 |
| 75 | 74.4 | 410.1 | 17,700 * | | | | | | | 75 |
| 80 | 72.9 | 408.5 | 17,500 * | | | | | | | 80 |
| 85 | 71.5 | 406.8 | 17,300 * | | | | | | | 85 |
| 90 | 70.1 | 405.0 | 17,000 * | | | | | | | 90 |
| 95 | 68.6 | 403.0 | 16,800 * | | | | | | | 95 |
| 100 | 67.1 | 400.9 | 16,600 * | | | | | | | 100 |
| 105 | 65.6 | 398.6 | 16,400 * | 70.8 | 404.3 | 16,600 * | | | | 105 |
| 110 | 64.1 | 396.2 | 16,100 * | 69.3 | 402.4 | 16,500 * | | | | 110 |
| 115 | 62.6 | 393.6 | 15,600 * | 67.8 | 400.4 | 16,300 * | | | | 115 |
| 120 | 61.0 | 390.8 | 15,100 * | 66.3 | 398.1 | 16,100 * | | | | 120 |
| 125 | 59.5 | 387.8 | 14,600 * | 64.8 | 395.8 | 15,900 * | | | | 125 |
| 130 | 57.9 | 384.7 | 14,200 * | 63.3 | 393.3 | 15,700 * | | | | 130 |
| 135 | 56.2 | 381.3 | 13,800 * | 61.8 | 390.6 | 15,500 * | | | | 135 |
| 140 | 54.5 | 377.7 | 13,400 * | 60.2 | 387.7 | 15,100 * | | | | 140 |
| 145 | 52.8 | 373.9 | 13,000 * | 58.6 | 384.6 | 14,600 * | | | | 145 |
| 150 | 51.1 | 369.9 | 12,700 * | 57.0 | 381.4 | 14,200 * | | | | 150 |
| 155 | 49.3 | 365.6 | 12,300 * | 55.3 | 377.9 | 13,800 * | | | | 155 |
| 160 | 47.5 | 361.0 | 12,000 * | 53.7 | 374.2 | 13,400 * | | | | 160 |
| 165 | 45.6 | 356.1 | 11,700 * | 51.9 | 370.3 | 13,000 * | | | | 165 |
| 170 | 43.6 | 350.9 | 11,500 * | 50.2 | 366.1 | 12,700 * | | | | 170 |
| 175 | 41.6 | 345.3 | 11,200 * | 48.3 | 361.7 | 12,300 * | | | | 175 |
| 180 | 39.4 | 339.2 | 11,000 * | 46.5 | 356.9 | 12,000 * | | | | 180 |
| 185 | 37.2 | 332.7 | 10,700 * | 44.5 | 351.9 | 11,800 * | | | | 185 |
| 190 | 34.8 | 325.6 | 10,500 * | 42.5 | 346.4 | 11,500 * | | | | 190 |
| 195 | 32.3 | 317.8 | 10,300 * | 40.4 | 340.6 | 11,200 * | 56.6 | 369.6 | 11,100 | 195 |
| 200 | 29.6 | 309.1 | 10,100 * | 38.3 | 334.3 | 11,000 * | 55.0 | 366.0 | 10,600 | 200 |
| 205 | 26.6 | 299.4 | 10,000 * | 36.0 | 327.5 | 10,800 * | 53.3 | 362.3 | 10,200 | 205 |
| 210 | 23.3 | 288.2 | 9,800 * | 33.5 | 320.0 | 10,600 * | 51.6 | 358.3 | 9,700 | 210 |
| 220 | 14.5 | 257.4 | 9,200 * | 28.1 | 302.6 | 10,200 * | 47.9 | 349.6 | 8,900 | 220 |
| 230 | | | | 21.3 | 279.9 | 9,800 * | 44.1 | 339.6 | 8,200 | 230 |
| 240 | | | | 11.0 | 243.3 | 9,600 * | 40.0 | 328.2 | 7,500 | 240 |
| 250 | | | | | | | 35.4 | 314.8 | 6,900 | 250 |
| 260 | | | | | | | 30.3 | 298.8 | 6,300 | 260 |
| 270 | | | | | | | 24.2 | 278.6 | 5,800 | 270 |
| 280 | | | | | | | 15.9 | 249.8 | 5,300 | 280 |

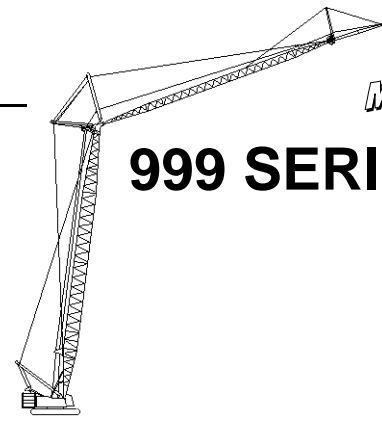


Liftcrane Fixed Jib Capacities

999 SERIES 2

Fixed Jib No. 138 At
3 Degree Offset Angle On
Luffing Jib No. 135 On
Boom No. 82 or 22EL
184,600 Lb. Crane Counterweight
44,000 Lb. Carbody Counterweight
360 Degree Rating

Designed And Tested
With The Intent To
Be In The Scope of
ANSI B30.5



200 Ft. Boom, 170 Ft. Luffing Jib, 50 Ft. Fixed Jib

| Fixed Jib Oper. Rad. Feet | 88 Degree Boom Angle | | | 83 Degree Boom Angle | | | 70 Degree Boom Angle | | | Fixed Jib Oper. Rad. Feet |
|---------------------------|-----------------------|----------------------------|---------------------------|-----------------------|----------------------------|---------------------------|-----------------------|----------------------------|---------------------------|---------------------------|
| | Luffing Jib Ang. Deg. | Fixed Jib Point Elev. Feet | Fixed Jib Capacity Pounds | Luffing Jib Ang. Deg. | Fixed Jib Point Elev. Feet | Fixed Jib Capacity Pounds | Luffing Jib Ang. Deg. | Fixed Jib Point Elev. Feet | Fixed Jib Capacity Pounds | |
| 75 | 75.1 | 420.5 | 16,500 * | | | | | | | 75 |
| 80 | 73.7 | 419.0 | 16,300 * | | | | | | | 80 |
| 85 | 72.4 | 417.4 | 16,100 * | | | | | | | 85 |
| 90 | 71.0 | 415.7 | 15,900 * | | | | | | | 90 |
| 95 | 69.6 | 413.8 | 15,700 * | | | | | | | 95 |
| 100 | 68.2 | 411.8 | 15,600 * | | | | | | | 100 |
| 105 | 66.8 | 409.6 | 15,300 * | | | | | | | 105 |
| 110 | 65.4 | 407.3 | 15,100 * | 70.3 | 413.1 | 15,300 * | | | | 110 |
| 115 | 63.9 | 404.8 | 14,900 * | 68.9 | 411.2 | 15,100 * | | | | 115 |
| 120 | 62.5 | 402.2 | 14,700 * | 67.5 | 409.1 | 15,000 * | | | | 120 |
| 125 | 61.0 | 399.4 | 14,300 * | 66.1 | 406.9 | 14,800 * | | | | 125 |
| 130 | 59.5 | 396.5 | 13,900 * | 64.6 | 404.5 | 14,700 * | | | | 130 |
| 135 | 58.0 | 393.3 | 13,500 * | 63.2 | 401.9 | 14,600 * | | | | 135 |
| 140 | 56.4 | 390.0 | 13,100 * | 61.7 | 399.2 | 14,400 * | | | | 140 |
| 145 | 54.8 | 386.5 | 12,700 * | 60.2 | 396.3 | 14,300 * | | | | 145 |
| 150 | 53.2 | 382.7 | 12,400 * | 58.7 | 393.3 | 13,900 * | | | | 150 |
| 155 | 51.5 | 378.7 | 12,100 * | 57.1 | 390.0 | 13,500 * | | | | 155 |
| 160 | 49.8 | 374.5 | 11,800 * | 55.6 | 386.6 | 13,100 * | | | | 160 |
| 165 | 48.1 | 370.0 | 11,500 * | 54.0 | 383.0 | 12,800 * | | | | 165 |
| 170 | 46.3 | 365.3 | 11,300 * | 52.3 | 379.1 | 12,400 * | | | | 170 |
| 175 | 44.4 | 360.2 | 11,000 * | 50.6 | 375.0 | 12,100 * | | | | 175 |
| 180 | 42.5 | 354.7 | 10,800 * | 48.9 | 370.6 | 11,800 * | | | | 180 |
| 185 | 40.5 | 348.9 | 10,500 * | 47.2 | 366.0 | 11,500 * | | | | 185 |
| 190 | 38.5 | 342.7 | 10,300 * | 45.3 | 361.1 | 11,300 * | | | | 190 |
| 195 | 36.3 | 335.9 | 10,100 * | 43.4 | 355.8 | 11,000 * | | | | 195 |
| 200 | 34.0 | 328.6 | 10,000 * | 41.5 | 350.2 | 10,800 * | 56.8 | 378.3 | 10,300 | 200 |
| 205 | 31.5 | 320.5 | 9,800 * | 39.5 | 344.1 | 10,600 * | 55.2 | 374.8 | 9,900 | 205 |
| 210 | 28.9 | 311.6 | 9,600 * | 37.3 | 337.6 | 10,400 * | 53.6 | 371.1 | 9,400 | 210 |
| 220 | 22.7 | 290.1 | 9,000 * | 32.7 | 322.9 | 10,000 * | 50.3 | 363.0 | 8,600 | 220 |
| 230 | 14.1 | 258.6 | 8,500 * | 27.4 | 305.0 | 9,600 * | 46.8 | 353.9 | 7,900 | 230 |
| 240 | | | | 20.8 | 281.7 | 9,300 * | 43.0 | 343.5 | 7,200 | 240 |
| 250 | | | | 10.7 | 244.2 | 9,100 * | 39.0 | 331.7 | 6,600 | 250 |
| 260 | | | | | | | 34.6 | 317.9 | 6,100 | 260 |
| 270 | | | | | | | 29.6 | 301.4 | 5,500 | 270 |
| 280 | | | | | | | 23.6 | 280.7 | 5,000 | 280 |
| 290 | | | | | | | 15.5 | 251.1 | 4,500 | 290 |

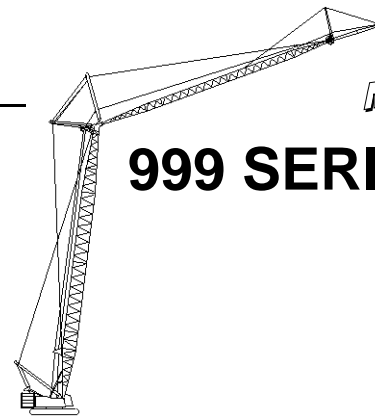


Liftcrane Fixed Jib Capacities

999 SERIES 2

Fixed Jib No. 138 At
 3 Degree Offset Angle On
 Luffing Jib No. 135 On
 Boom No. 82 or 22EL
 184,600 Lb. Crane Counterweight
 44,000 Lb. Carbody Counterweight
 360 Degree Rating

Designed And Tested
 With The Intent To
 Be In The Scope of
 ANSI B30.5



200 Ft. Boom, 140 Ft. Luffing Jib, 60 Ft. Fixed Jib

| Fixed Jib Oper. Rad. Feet | 88 Degree Boom Angle | | | 83 Degree Boom Angle | | | 70 Degree Boom Angle | | | Fixed Jib Oper. Rad. Feet |
|---------------------------|-----------------------|----------------------------|---------------------------|-----------------------|----------------------------|---------------------------|-----------------------|----------------------------|---------------------------|---------------------------|
| | Luffing Jib Ang. Deg. | Fixed Jib Point Elev. Feet | Fixed Jib Capacity Pounds | Luffing Jib Ang. Deg. | Fixed Jib Point Elev. Feet | Fixed Jib Capacity Pounds | Luffing Jib Ang. Deg. | Fixed Jib Point Elev. Feet | Fixed Jib Capacity Pounds | |
| 70 | 74.9 | 401.2 | 15,900 * | | | | | | | 70 |
| 75 | 73.4 | 399.7 | 15,600 * | | | | | | | 75 |
| 80 | 71.9 | 398.0 | 15,300 * | | | | | | | 80 |
| 85 | 70.4 | 396.2 | 15,000 * | | | | | | | 85 |
| 90 | 68.8 | 394.3 | 14,700 * | | | | | | | 90 |
| 95 | 67.3 | 392.2 | 14,400 * | | | | | | | 95 |
| 100 | 65.7 | 390.0 | 14,100 * | | | | | | | 100 |
| 105 | 64.1 | 387.5 | 13,900 * | 69.6 | 393.7 | 14,600 * | | | | 105 |
| 110 | 62.5 | 384.9 | 13,600 * | 68.0 | 391.7 | 14,300 * | | | | 110 |
| 115 | 60.9 | 382.2 | 13,300 * | 66.5 | 389.5 | 14,100 * | | | | 115 |
| 120 | 59.2 | 379.2 | 13,100 * | 64.9 | 387.1 | 13,800 * | | | | 120 |
| 125 | 57.6 | 376.0 | 12,800 * | 63.3 | 384.6 | 13,600 * | | | | 125 |
| 130 | 55.8 | 372.7 | 12,800 * | 61.7 | 381.9 | 13,300 * | | | | 130 |
| 135 | 54.1 | 369.1 | 12,400 * | 60.0 | 379.1 | 13,100 * | | | | 135 |
| 140 | 52.3 | 365.2 | 12,200 * | 58.4 | 376.0 | 12,900 * | | | | 140 |
| 145 | 50.4 | 361.1 | 12,000 * | 56.7 | 372.7 | 12,700 * | | | | 145 |
| 150 | 48.5 | 356.7 | 11,600 * | 54.9 | 369.2 | 12,500 * | | | | 150 |
| 155 | 46.6 | 352.0 | 11,300 * | 53.1 | 365.5 | 12,300 * | | | | 155 |
| 160 | 44.6 | 347.0 | 11,000 * | 51.3 | 361.5 | 12,100 * | | | | 160 |
| 165 | 42.5 | 341.6 | 10,800 * | 49.4 | 357.3 | 11,900 * | | | | 165 |
| 170 | 40.3 | 335.7 | 10,500 * | 47.5 | 352.7 | 11,700 * | | | | 170 |
| 175 | 38.0 | 329.4 | 10,200 * | 45.5 | 347.9 | 11,400 * | | | | 175 |
| 180 | 35.5 | 322.6 | 10,000 * | 43.5 | 342.6 | 11,100 * | | | | 180 |
| 185 | 33.0 | 315.0 | 9,800 * | 41.3 | 337.0 | 10,800 * | 58.0 | 364.2 | 11,900 * | 185 |
| 190 | 30.2 | 306.6 | 9,500 * | 39.1 | 330.9 | 10,500 * | 56.3 | 360.9 | 11,800 * | 190 |
| 195 | 27.1 | 297.2 | 9,300 * | 36.7 | 324.3 | 10,300 * | 54.5 | 357.4 | 11,700 | 195 |
| 200 | 23.7 | 286.3 | 9,000 * | 34.2 | 317.1 | 10,000 * | 52.7 | 353.6 | 11,200 | 200 |
| 205 | 19.7 | 273.3 | 8,800 * | 31.5 | 309.2 | 9,800 * | 50.9 | 349.6 | 10,700 | 205 |
| 210 | 14.7 | 256.4 | 8,600 * | 28.6 | 300.3 | 9,600 * | 49.0 | 345.2 | 10,300 | 210 |
| 220 | | | | 21.7 | 278.2 | 9,200 * | 45.1 | 335.7 | 9,500 | 220 |
| 230 | | | | 11.2 | 242.7 | 8,800 * | 40.8 | 324.7 | 8,800 | 230 |
| 240 | | | | | | | 36.2 | 311.8 | 8,100 | 240 |
| 250 | | | | | | | 30.9 | 296.2 | 7,500 | 250 |
| 260 | | | | | | | 24.6 | 276.7 | 6,900 | 260 |
| 270 | | | | | | | 16.2 | 248.7 | 6,300 | 270 |

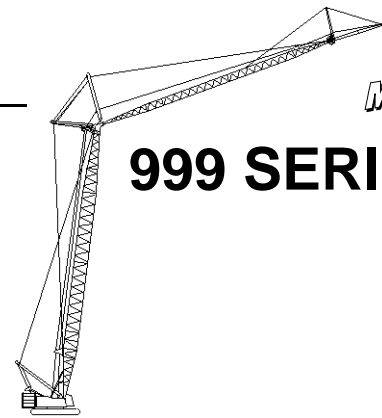


Liftcrane Fixed Jib Capacities

999 SERIES 2

Fixed Jib No. 138 At
3 Degree Offset Angle On
Luffing Jib No. 135 On
Boom No. 82 or 22EL
184,600 Lb. Crane Counterweight
44,000 Lb. Carbody Counterweight
360 Degree Rating

Designed And Tested
With The Intent To
Be In The Scope of
ANSI B30.5



200 Ft. Boom, 150 Ft. Luffing Jib, 60 Ft. Fixed Jib

| Fixed Jib Oper. Rad. Feet | 88 Degree Boom Angle | | | 83 Degree Boom Angle | | | 70 Degree Boom Angle | | | Fixed Jib Oper. Rad. Feet |
|---------------------------|-----------------------|----------------------------|---------------------------|-----------------------|----------------------------|---------------------------|-----------------------|----------------------------|---------------------------|---------------------------|
| | Luffing Jib Ang. Deg. | Fixed Jib Point Elev. Feet | Fixed Jib Capacity Pounds | Luffing Jib Ang. Deg. | Fixed Jib Point Elev. Feet | Fixed Jib Capacity Pounds | Luffing Jib Ang. Deg. | Fixed Jib Point Elev. Feet | Fixed Jib Capacity Pounds | |
| 70 | 75.6 | 411.5 | 15,300 * | | | | | | | 70 |
| 75 | 74.2 | 410.1 | 15,100 * | | | | | | | 75 |
| 80 | 72.8 | 408.6 | 14,800 * | | | | | | | 80 |
| 85 | 71.3 | 406.9 | 14,600 * | | | | | | | 85 |
| 90 | 69.9 | 405.0 | 14,300 * | | | | | | | 90 |
| 95 | 68.4 | 403.1 | 14,000 * | | | | | | | 95 |
| 100 | 66.9 | 400.9 | 13,700 * | | | | | | | 100 |
| 105 | 65.5 | 398.7 | 13,500 * | 70.6 | 404.4 | 14,100 * | | | | 105 |
| 110 | 63.9 | 396.2 | 13,200 * | 69.1 | 402.5 | 13,900 * | | | | 110 |
| 115 | 62.4 | 393.6 | 13,000 * | 67.6 | 400.4 | 13,600 * | | | | 115 |
| 120 | 60.9 | 390.8 | 12,800 * | 66.2 | 398.2 | 13,400 * | | | | 120 |
| 125 | 59.3 | 387.9 | 12,500 * | 64.7 | 395.8 | 13,200 * | | | | 125 |
| 130 | 57.7 | 384.7 | 12,300 * | 63.1 | 393.3 | 12,900 * | | | | 130 |
| 135 | 56.0 | 381.4 | 12,100 * | 61.6 | 390.6 | 12,700 * | | | | 135 |
| 140 | 54.4 | 377.8 | 12,000 * | 60.0 | 387.7 | 12,500 * | | | | 140 |
| 145 | 52.7 | 374.0 | 11,800 * | 58.4 | 384.7 | 12,300 * | | | | 145 |
| 150 | 50.9 | 370.0 | 11,500 * | 56.8 | 381.4 | 12,200 * | | | | 150 |
| 155 | 49.1 | 365.7 | 11,200 * | 55.2 | 378.0 | 12,000 * | | | | 155 |
| 160 | 47.3 | 361.1 | 10,900 * | 53.5 | 374.3 | 11,800 * | | | | 160 |
| 165 | 45.4 | 356.2 | 10,600 * | 51.8 | 370.3 | 11,600 * | | | | 165 |
| 170 | 43.4 | 351.0 | 10,300 * | 50.0 | 366.2 | 11,500 * | | | | 170 |
| 175 | 41.4 | 345.3 | 10,100 * | 48.2 | 361.7 | 11,200 * | | | | 175 |
| 180 | 39.2 | 339.3 | 9,800 * | 46.3 | 357.0 | 10,900 * | | | | 180 |
| 185 | 37.0 | 332.8 | 9,600 * | 44.4 | 351.9 | 10,600 * | | | | 185 |
| 190 | 34.6 | 325.6 | 9,400 * | 42.4 | 346.5 | 10,300 * | | | | 190 |
| 195 | 32.1 | 317.9 | 9,200 * | 40.3 | 340.7 | 10,100 * | 56.5 | 369.6 | 11,200 * | 195 |
| 200 | 29.4 | 309.2 | 9,000 * | 38.1 | 334.4 | 9,900 * | 54.8 | 366.1 | 11,000 | 200 |
| 205 | 26.5 | 299.5 | 8,800 * | 35.8 | 327.5 | 9,600 * | 53.1 | 362.4 | 10,600 | 205 |
| 210 | 23.1 | 288.3 | 8,700 * | 33.4 | 320.1 | 9,400 * | 51.4 | 358.4 | 10,100 | 210 |
| 220 | 14.3 | 257.6 | 8,400 * | 27.9 | 302.7 | 9,000 * | 47.8 | 349.7 | 9,300 | 220 |
| 230 | | | | 21.2 | 280.1 | 8,700 * | 43.9 | 339.7 | 8,600 | 230 |
| 240 | | | | 10.9 | 243.6 | 8,400 * | 39.8 | 328.3 | 7,900 | 240 |
| 250 | | | | | | | 35.3 | 314.9 | 7,300 | 250 |
| 260 | | | | | | | 30.1 | 298.9 | 6,700 | 260 |
| 270 | | | | | | | 24.0 | 278.7 | 6,200 | 270 |
| 280 | | | | | | | 15.8 | 250.0 | 5,700 | 280 |

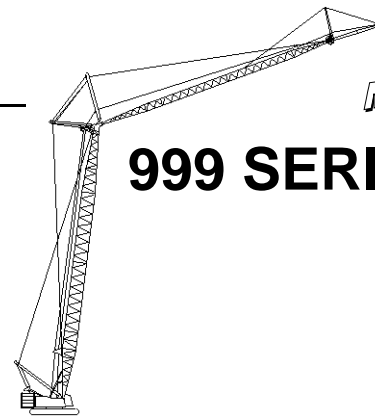


Liftcrane Fixed Jib Capacities

999 SERIES 2

Fixed Jib No. 138 At
 3 Degree Offset Angle On
 Luffing Jib No. 135 On
 Boom No. 82 or 22EL
 184,600 Lb. Crane Counterweight
 44,000 Lb. Carbody Counterweight
 360 Degree Rating

Designed And Tested
 With The Intent To
 Be In The Scope of
 ANSI B30.5



200 Ft. Boom, 160 Ft. Luffing Jib, 60 Ft. Fixed Jib

| Fixed Jib Oper. Rad. Feet | 88 Degree Boom Angle | | | 83 Degree Boom Angle | | | 70 Degree Boom Angle | | | Fixed Jib Oper. Rad. Feet |
|---------------------------|-----------------------|----------------------------|---------------------------|-----------------------|----------------------------|---------------------------|-----------------------|----------------------------|---------------------------|---------------------------|
| | Luffing Jib Ang. Deg. | Fixed Jib Point Elev. Feet | Fixed Jib Capacity Pounds | Luffing Jib Ang. Deg. | Fixed Jib Point Elev. Feet | Fixed Jib Capacity Pounds | Luffing Jib Ang. Deg. | Fixed Jib Point Elev. Feet | Fixed Jib Capacity Pounds | |
| 75 | 74.9 | 420.5 | 14,400 * | | | | | | | 75 |
| 80 | 73.6 | 419.0 | 14,200 * | | | | | | | 80 |
| 85 | 72.2 | 417.4 | 13,900 * | | | | | | | 85 |
| 90 | 70.8 | 415.7 | 13,700 * | | | | | | | 90 |
| 95 | 69.4 | 413.8 | 13,500 * | | | | | | | 95 |
| 100 | 68.0 | 411.8 | 13,300 * | | | | | | | 100 |
| 105 | 66.6 | 409.7 | 13,100 * | | | | | | | 105 |
| 110 | 65.2 | 407.4 | 12,800 * | 70.1 | 413.2 | 13,300 * | | | | 110 |
| 115 | 63.8 | 404.9 | 12,500 * | 68.7 | 411.2 | 13,100 * | | | | 115 |
| 120 | 62.3 | 402.3 | 12,400 * | 67.3 | 409.1 | 12,900 * | | | | 120 |
| 125 | 60.8 | 399.5 | 12,100 * | 65.9 | 406.9 | 12,600 * | | | | 125 |
| 130 | 59.3 | 396.5 | 12,000 * | 64.5 | 404.5 | 12,500 * | | | | 130 |
| 135 | 57.8 | 393.4 | 11,800 * | 63.0 | 402.0 | 12,300 * | | | | 135 |
| 140 | 56.2 | 390.1 | 11,600 * | 61.5 | 399.3 | 12,100 * | | | | 140 |
| 145 | 54.6 | 386.5 | 11,400 * | 60.0 | 396.4 | 11,900 * | | | | 145 |
| 150 | 53.0 | 382.8 | 11,300 * | 58.5 | 393.3 | 11,800 * | | | | 150 |
| 155 | 51.4 | 378.8 | 11,000 * | 57.0 | 390.1 | 11,600 * | | | | 155 |
| 160 | 49.7 | 374.6 | 10,700 * | 55.4 | 386.7 | 11,400 * | | | | 160 |
| 165 | 47.9 | 370.1 | 10,500 * | 53.8 | 383.0 | 11,300 * | | | | 165 |
| 170 | 46.1 | 365.3 | 10,200 * | 52.1 | 379.2 | 11,200 * | | | | 170 |
| 175 | 44.3 | 360.2 | 10,000 * | 50.5 | 375.1 | 11,000 * | | | | 175 |
| 180 | 42.4 | 354.8 | 9,700 * | 48.8 | 370.7 | 10,800 * | | | | 180 |
| 185 | 40.4 | 349.0 | 9,500 * | 47.0 | 366.1 | 10,500 * | | | | 185 |
| 190 | 38.3 | 342.7 | 9,300 * | 45.2 | 361.1 | 10,200 * | | | | 190 |
| 195 | 36.1 | 336.0 | 9,100 * | 43.3 | 355.9 | 10,000 * | | | | 195 |
| 200 | 33.8 | 328.7 | 8,900 * | 41.3 | 350.2 | 9,700 * | 56.6 | 378.3 | 10,600 | 200 |
| 205 | 31.4 | 320.6 | 8,700 * | 39.3 | 344.2 | 9,500 * | 55.0 | 374.8 | 10,200 | 205 |
| 210 | 28.7 | 311.7 | 8,600 * | 37.2 | 337.7 | 9,300 * | 53.4 | 371.1 | 9,700 | 210 |
| 220 | 22.6 | 290.3 | 8,300 * | 32.6 | 323.0 | 8,900 * | 50.1 | 363.1 | 8,900 | 220 |
| 230 | 14.0 | 258.7 | 8,000 * | 27.2 | 305.1 | 8,600 * | 46.6 | 354.0 | 8,200 | 230 |
| 240 | | | | 20.7 | 281.9 | 8,300 * | 42.9 | 343.6 | 7,600 | 240 |
| 250 | | | | 10.6 | 244.4 | 8,000 * | 38.8 | 331.8 | 6,900 | 250 |
| 260 | | | | | | | 34.4 | 318.0 | 6,400 | 260 |
| 270 | | | | | | | 29.4 | 301.5 | 5,800 | 270 |
| 280 | | | | | | | 23.5 | 280.8 | 5,300 | 280 |
| 290 | | | | | | | 15.4 | 251.3 | 4,900 | 290 |

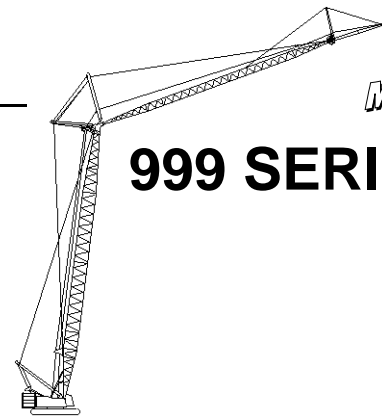


Liftcrane Fixed Jib Capacities

999 SERIES 2

Fixed Jib No. 138 At
3 Degree Offset Angle On
Luffing Jib No. 135 On
Boom No. 82 or 22EL
184,600 Lb. Crane Counterweight
44,000 Lb. Carbody Counterweight
360 Degree Rating

Designed And Tested
With The Intent To
Be In The Scope of
ANSI B30.5



200 Ft. Boom, 170 Ft. Luffing Jib, 60 Ft. Fixed Jib

| Fixed Jib Oper. Rad. Feet | 88 Degree Boom Angle | | | 83 Degree Boom Angle | | | 70 Degree Boom Angle | | | Fixed Jib Oper. Rad. Feet |
|---------------------------|-----------------------|----------------------------|---------------------------|-----------------------|----------------------------|---------------------------|-----------------------|----------------------------|---------------------------|---------------------------|
| | Luffing Jib Ang. Deg. | Fixed Jib Point Elev. Feet | Fixed Jib Capacity Pounds | Luffing Jib Ang. Deg. | Fixed Jib Point Elev. Feet | Fixed Jib Capacity Pounds | Luffing Jib Ang. Deg. | Fixed Jib Point Elev. Feet | Fixed Jib Capacity Pounds | |
| 75 | 75.6 | 430.9 | 13,700 * | | | | | | | 75 |
| 80 | 74.3 | 429.5 | 13,500 * | | | | | | | 80 |
| 85 | 73.0 | 428.0 | 13,300 * | | | | | | | 85 |
| 90 | 71.7 | 426.3 | 13,100 * | | | | | | | 90 |
| 95 | 70.4 | 424.5 | 12,800 * | | | | | | | 95 |
| 100 | 69.0 | 422.6 | 12,700 * | | | | | | | 100 |
| 105 | 67.7 | 420.6 | 12,500 * | | | | | | | 105 |
| 110 | 66.4 | 418.4 | 12,200 * | 71.0 | 423.8 | 12,600 * | | | | 110 |
| 115 | 65.0 | 416.0 | 12,000 * | 69.7 | 422.0 | 12,500 * | | | | 115 |
| 120 | 63.6 | 413.6 | 11,900 * | 68.3 | 420.0 | 12,300 * | | | | 120 |
| 125 | 62.2 | 410.9 | 11,700 * | 67.0 | 417.9 | 12,100 * | | | | 125 |
| 130 | 60.8 | 408.1 | 11,500 * | 65.6 | 415.6 | 11,900 * | | | | 130 |
| 135 | 59.3 | 405.2 | 11,300 * | 64.3 | 413.2 | 11,800 * | | | | 135 |
| 140 | 57.9 | 402.1 | 11,200 * | 62.9 | 410.6 | 11,600 * | | | | 140 |
| 145 | 56.4 | 398.8 | 11,000 * | 61.5 | 407.9 | 11,500 * | | | | 145 |
| 150 | 54.9 | 395.2 | 10,900 * | 60.0 | 405.1 | 11,300 * | | | | 150 |
| 155 | 53.3 | 391.5 | 10,700 * | 58.6 | 402.0 | 11,200 * | | | | 155 |
| 160 | 51.8 | 387.6 | 10,500 * | 57.1 | 398.8 | 11,000 * | | | | 160 |
| 165 | 50.1 | 383.5 | 10,300 * | 55.6 | 395.4 | 10,900 * | | | | 165 |
| 170 | 48.5 | 379.1 | 10,000 * | 54.1 | 391.8 | 10,800 * | | | | 170 |
| 175 | 46.8 | 374.4 | 9,800 * | 52.5 | 387.9 | 10,700 * | | | | 175 |
| 180 | 45.0 | 369.5 | 9,600 * | 50.9 | 383.9 | 10,500 * | | | | 180 |
| 185 | 43.2 | 364.2 | 9,300 * | 49.3 | 379.6 | 10,300 * | | | | 185 |
| 190 | 41.4 | 358.6 | 9,100 * | 47.6 | 375.1 | 10,000 * | | | | 190 |
| 195 | 39.4 | 352.6 | 8,900 * | 45.9 | 370.3 | 9,800 * | | | | 195 |
| 200 | 37.4 | 346.1 | 8,800 * | 44.1 | 365.2 | 9,600 * | | | | 200 |
| 205 | 35.3 | 339.1 | 8,600 * | 42.3 | 359.7 | 9,300 * | 56.8 | 387.0 | 9,900 | 205 |
| 210 | 33.0 | 331.6 | 8,400 * | 40.4 | 353.9 | 9,100 * | 55.3 | 383.5 | 9,400 | 210 |
| 220 | 28.1 | 314.2 | 8,100 * | 36.3 | 341.0 | 8,800 * | 52.2 | 376.0 | 8,600 | 220 |
| 230 | 22.1 | 292.2 | 7,800 * | 31.8 | 325.8 | 8,400 * | 48.9 | 367.6 | 7,900 | 230 |
| 240 | 13.7 | 259.9 | 7,600 * | 26.6 | 307.4 | 8,100 * | 45.5 | 358.1 | 7,300 | 240 |
| 250 | | | | 20.2 | 283.6 | 7,900 * | 41.9 | 347.4 | 6,700 | 250 |
| 260 | | | | 10.4 | 245.3 | 7,600 * | 37.9 | 335.2 | 6,100 | 260 |
| 270 | | | | | | | 33.6 | 321.0 | 5,600 | 270 |
| 280 | | | | | | | 28.8 | 304.0 | 5,100 | 280 |
| 290 | | | | | | | 22.9 | 282.8 | 4,600 | 290 |
| 300 | | | | | | | 15.0 | 252.6 | 4,200 | 300 |