

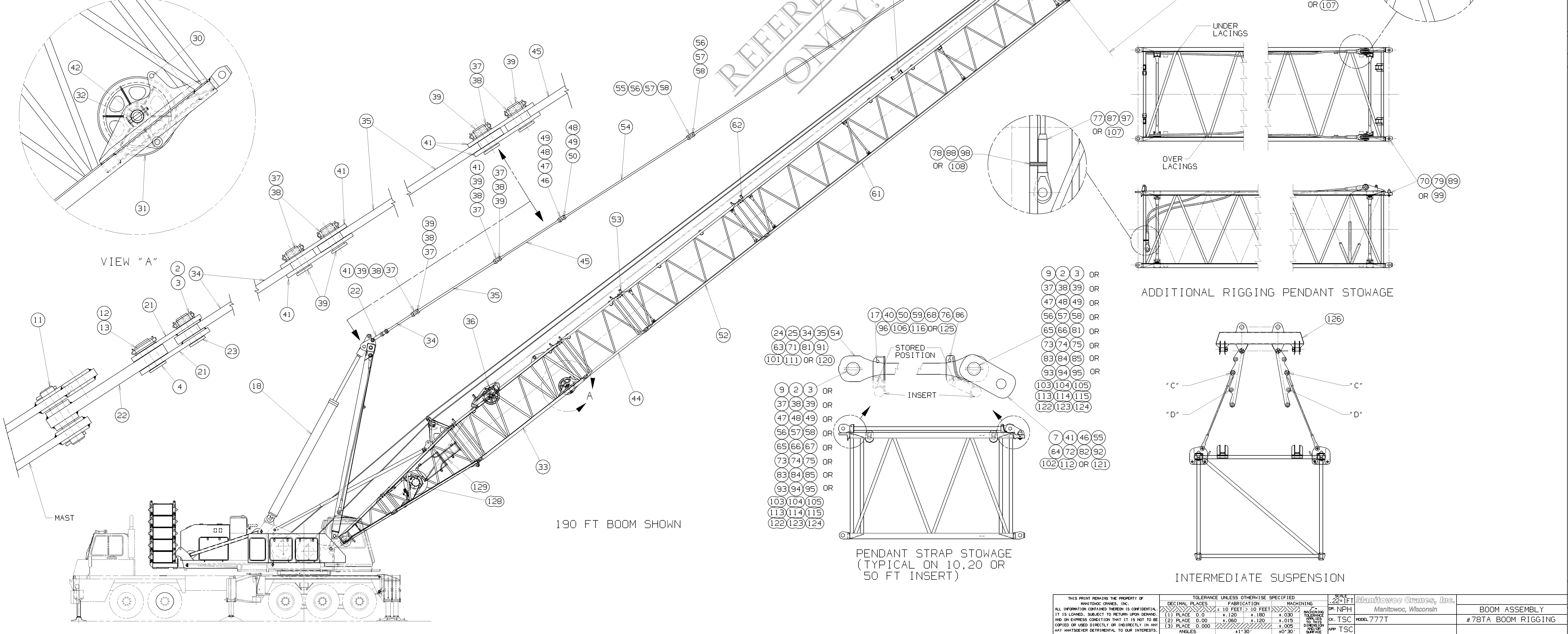
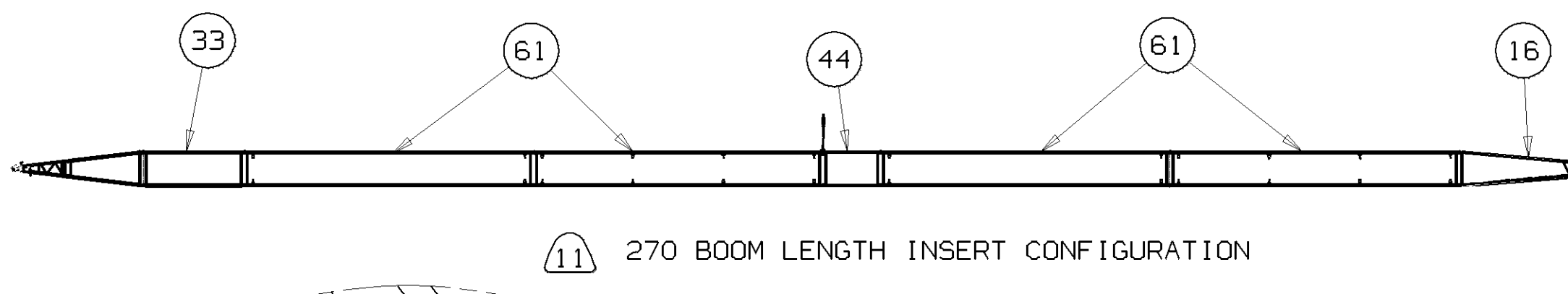
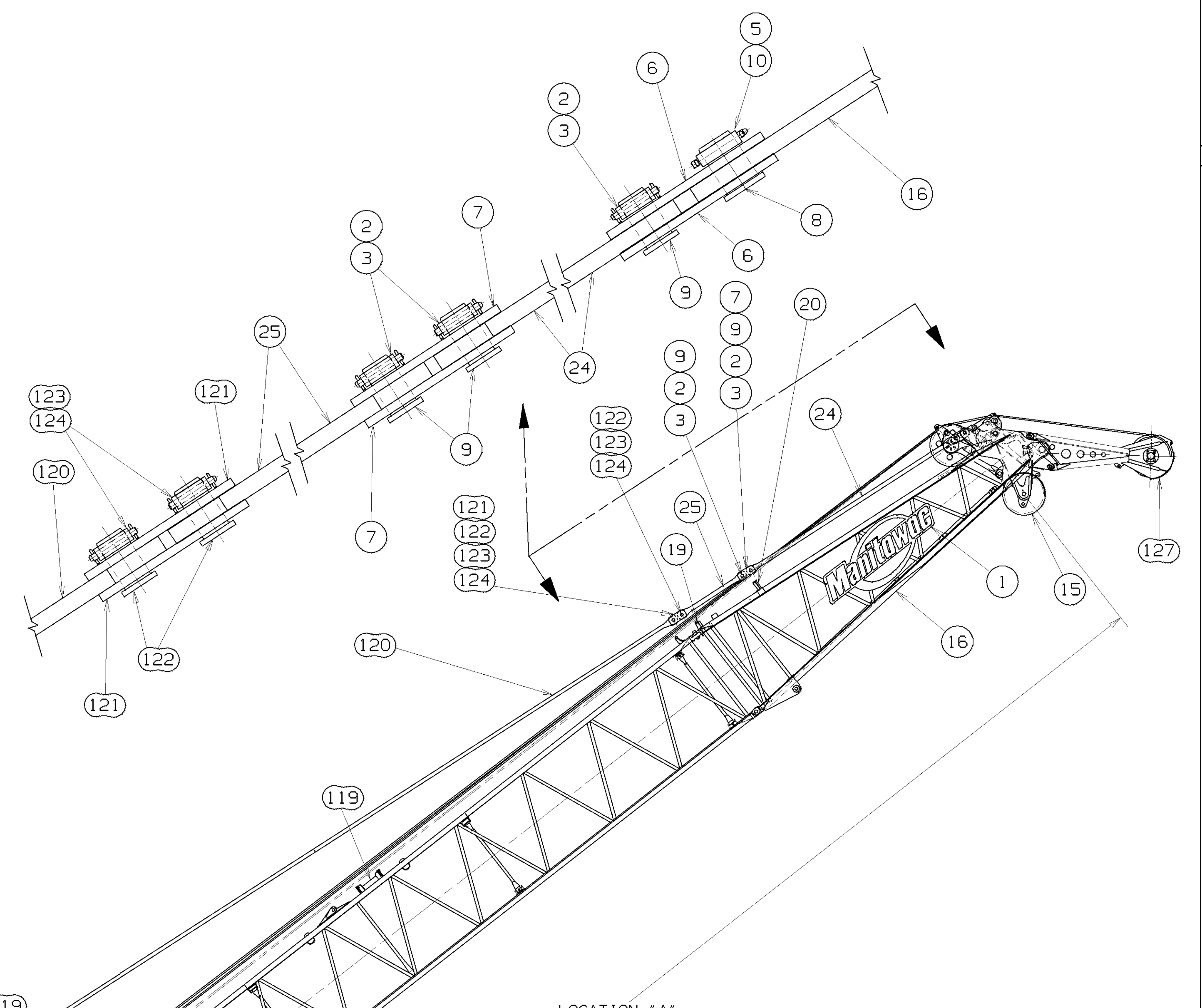
REQUIRED FOR VARIOUS BOOM LENGTHS

ITEM NO.	33		44 OR 70		52, 79, 89 OR 109		61, 99, OR 118		34		35		45 OR 71		54, 81, 91 OR 111		63, 101, OR 120		19, 53, 62, 80 OR 100, 110 OR 119		126		7, 41, 46, 55 OR 64, 72, 82, 92 OR 102, 112 OR 121		9, 39, 47, 56 OR 65, 73, 83, 93 OR 103, 113 OR 122		3, 38, 48, 57 OR 66, 74, 84, 94 OR 104, 114 OR 123		2, 37, 49, 58 OR 67, 75, 85, 95 OR 105, 115 OR 124		17, 40, 50, 59 OR 68, 76, 86, 96 OR 106, 116 OR 125	
	BOOM LENGTH	FEET	METERS	17.5 FT 5.33 M INSERT	10 FT 3.05 M INSERT	20 FT 6.10 M INSERT	50 FT 15.24 M INSERT	4 FT 2 1/27 M STRAPS	12 FT 2 3/71 M STRAP	9 FT 5 2/87 M STRAP	19 FT 5 5/92 M STRAP	49 FT 5 15/106 M STRAP	TIMBER (FERMA POLY)	LOCATION "A"	POSITION "C" OR "D"	LINK	PIN	COLLAR	PIN	STRAP STORAGE PIN												
60	18.3	1	0	0	0	2	2	2	2	0	0	0	-	-	8	8	8	8	4													
70	21.3	1	1	0	0	2	2	2	2	0	0	0	-	-	12	12	12	12	4													
80	24.4	OR 1	2	0	0	2	2	2	2	4	0	0	-	-	16	16	16	16	12													
90	27.4	1	1	1	0	2	2	2	2	2	2	2	-	-	16	16	16	16	12													
100	30.5	OR 1	2	1	0	2	2	2	2	4	2	2	-	-	20	20	20	20	16													
110	33.5	OR 1	1	2	0	2	2	2	2	2	4	2	-	-	16	16	16	16	12													
120	36.6	1	1	0	1	2	2	2	2	2	0	2	-	-	20	20	20	20	16													
130	39.6	OR 1	2	1	1	2	2	2	2	4	0	2	-	-	20	20	20	20	16													
140	42.7	1	1	1	1	2	2	2	2	2	2	2	-	-	20	20	20	20	16													
150	45.7	OR 1	2	1	2	2	2	2	2	4	2	2	-	-	24	24	24	24	20													
160	48.8	OR 1	1	2	2	2	2	2	2	2	4	2	-	-	24	24	24	24	20													
170	51.8	1	1	0	2	2	2	2	2	2	0	4	-	-	20	20	20	20	16													
180	54.9	OR 1	2	0	2	2	2	2	2	4	0	4	-	-	24	24	24	24	20													
190	57.9	1	1	1	2	2	2	2	2	2	2	4	-	-	20	20	20	20	16													
200	61.0	OR 1	2	1	2	2	2	2	2	4	2	4	-	-	28	28	28	28	20													
210	64.0	OR 1	1	2	2	2	2	2	2	2	4	4	-	-	24	24	24	24	20													
220	67.1	1	1	1	3	2	2	2	2	2	0	6	-	-	20	20	20	20	16													
230	70.1	OR 1	2	0	3	2	2	2	2	4	0	6	-	-	28	28	28	28	24													
240	73.2	1	1	1	3	2	2	2	2	2	0	2	-	-	24	24	24	24	20													
250	76.2	OR 1	2	1	3	2	2	2	2	4	2	6	-	-	32	32	32	32	28													
260	79.2	OR 1	1	2	3	2	2	2	2	2	4	6	-	-	28	28	28	28	24													
270	82.3	1	1	0	4	2	2	2	2	0	0	8	-	-	24	24	24	24	20													

ITEM NO.	QTY	DESCRIPTION	MATERIAL	CODE NO.	OR NO.
----------	-----	-------------	----------	----------	--------

ASSEMBLIES USED IN

REVISIONS



DWG. NO. A03379
SHT 1 OF 4

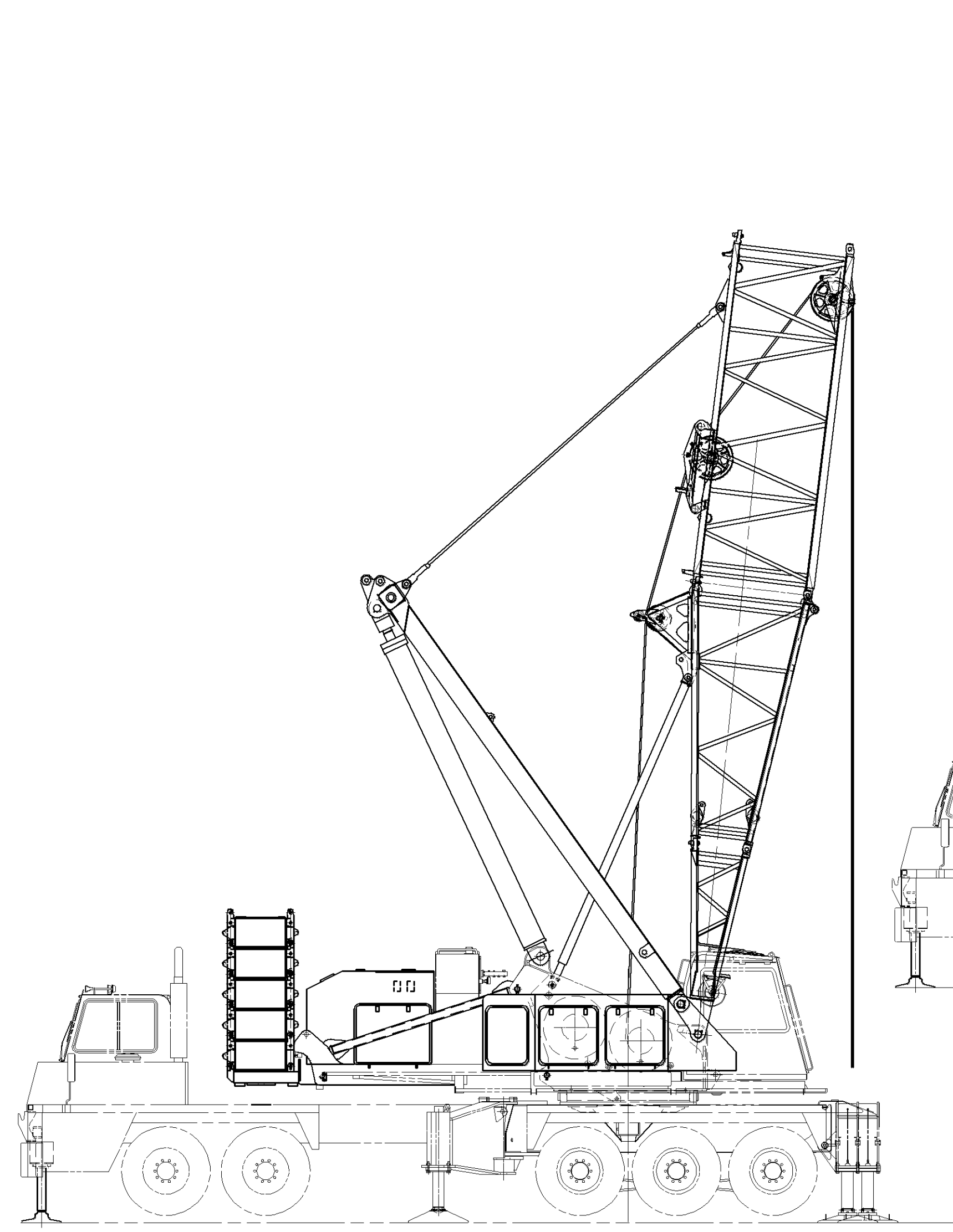
DATE 4-8-02

PATTERN NO.

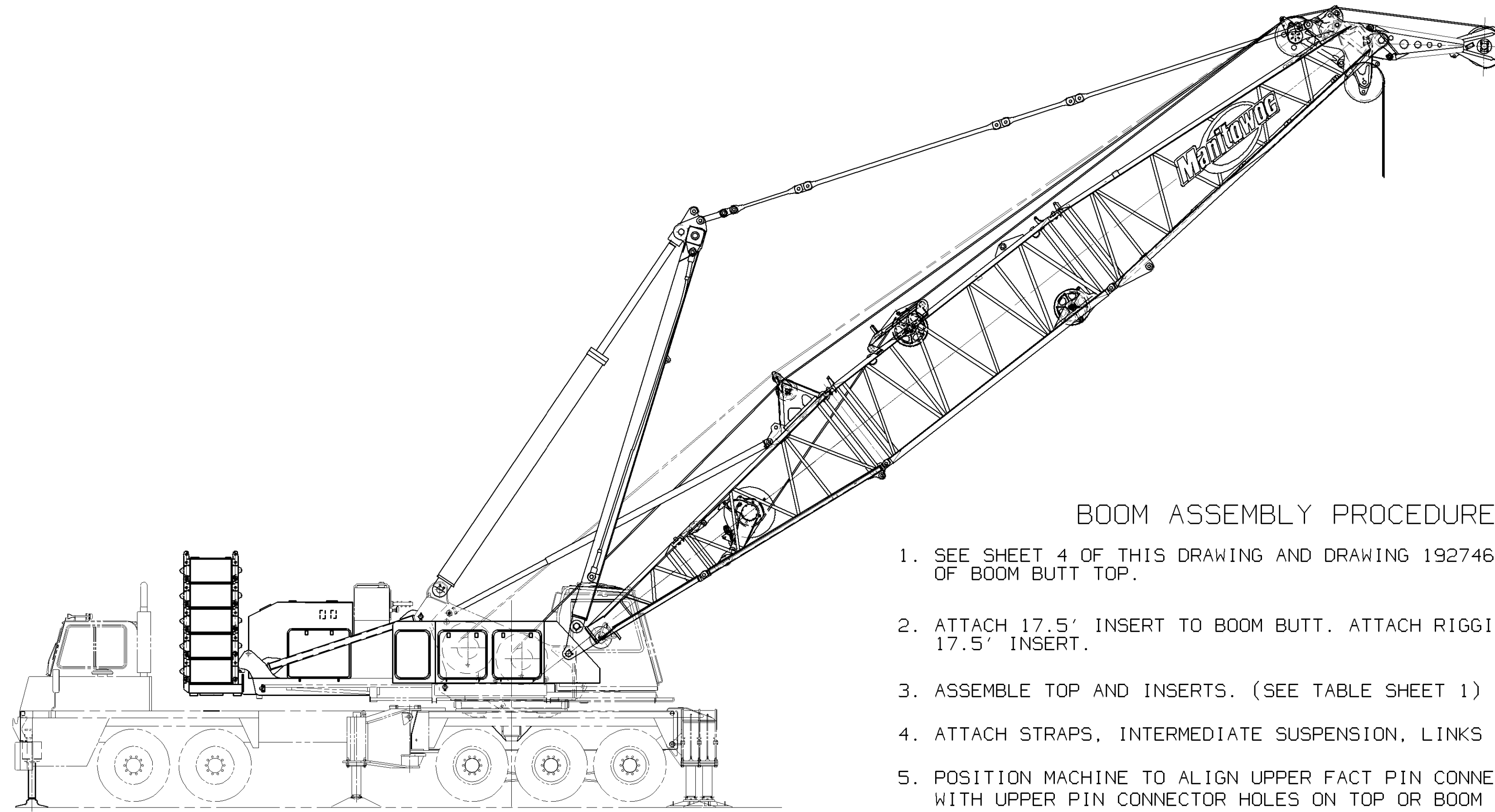
DECIMAL PLACES	FABRICATION	MACHINING	SCALE	MANUFACTURER	MODEL	DESCRIPTION
1/16	± 0.010	± 0.005	1/2" = 1'-0"	Manitowoc Cranes, Inc.	777T	BOOM ASSEMBLY
1/32	± 0.005	± 0.0025		Manitowoc, Wisconsin		#78TA BOOM RIGGING
1/64	± 0.0025	± 0.00125		TSC		

DO NOT SCALE THIS DRAWING

SHT 1 OF 4

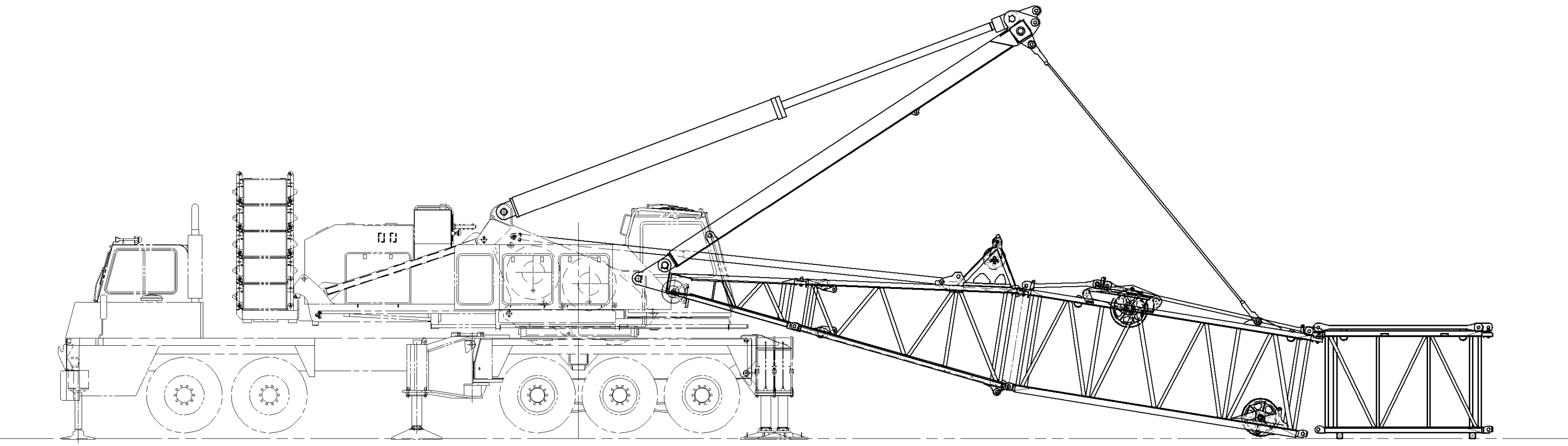


RIGGED FOR COMPONENT HANDLING



BOOM ASSEMBLY PROCEDURE

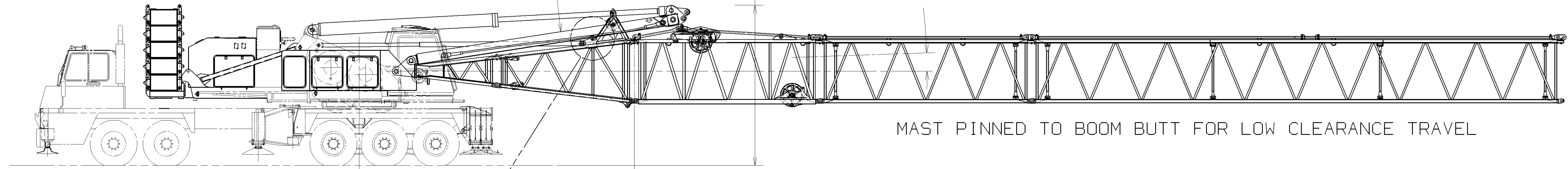
- SEE SHEET 4 OF THIS DRAWING AND DRAWING 192746 FOR PROPER INSTALLATION OF BOOM BUTT TOP.
 - ATTACH 17.5' INSERT TO BOOM BUTT. ATTACH RIGGING PENDANTS TO LUGS ON 17.5' INSERT.
 - ASSEMBLE TOP AND INSERTS. (SEE TABLE SHEET 1)
 - ATTACH STRAPS, INTERMEDIATE SUSPENSION, LINKS AND PINS AS REQ'D.
 - POSITION MACHINE TO ALIGN UPPER FACT PIN CONNECTOR HOLES ON 17.5' INSERT WITH UPPER PIN CONNECTOR HOLES ON TOP OR BOOM INSERT.
 - ENGAGE UPPER FACT PINS. CONTINUE BOOMING UP SLOWLY TO ALIGN LOWER PIN CONNECTOR HOLES ON 17.5' INSERT WITH LOWER PIN CONNECTOR HOLES IN TOP OR BOOM INSERT AND INSTALL PINS.
- WARNING: DO NOT BOOM UP AFTER LOWER FACT CONNECTORS MAKE CONTACT. IF BOOMING UP CONTINUES AFTER CONNECTORS BOTTOM OUT OR AFTER PINS ARE INSERTED, DAMAGE TO BOOM WILL OCCUR.
- BOOM DOWN TO DISCONNECT RIGGING PENDANT FROM 17.5' INSERT AND STOW.
 - ATTACH BOOM STRAPS TO MAST LINK.
 - SEE INTERMEDIATE SUSPENSION DIAGRAMS ON SHEET 1 FOR 150 THROUGH 270 FT. BOOMS.
 - BOOM UP TO DESIRED BOOM ANGLE.



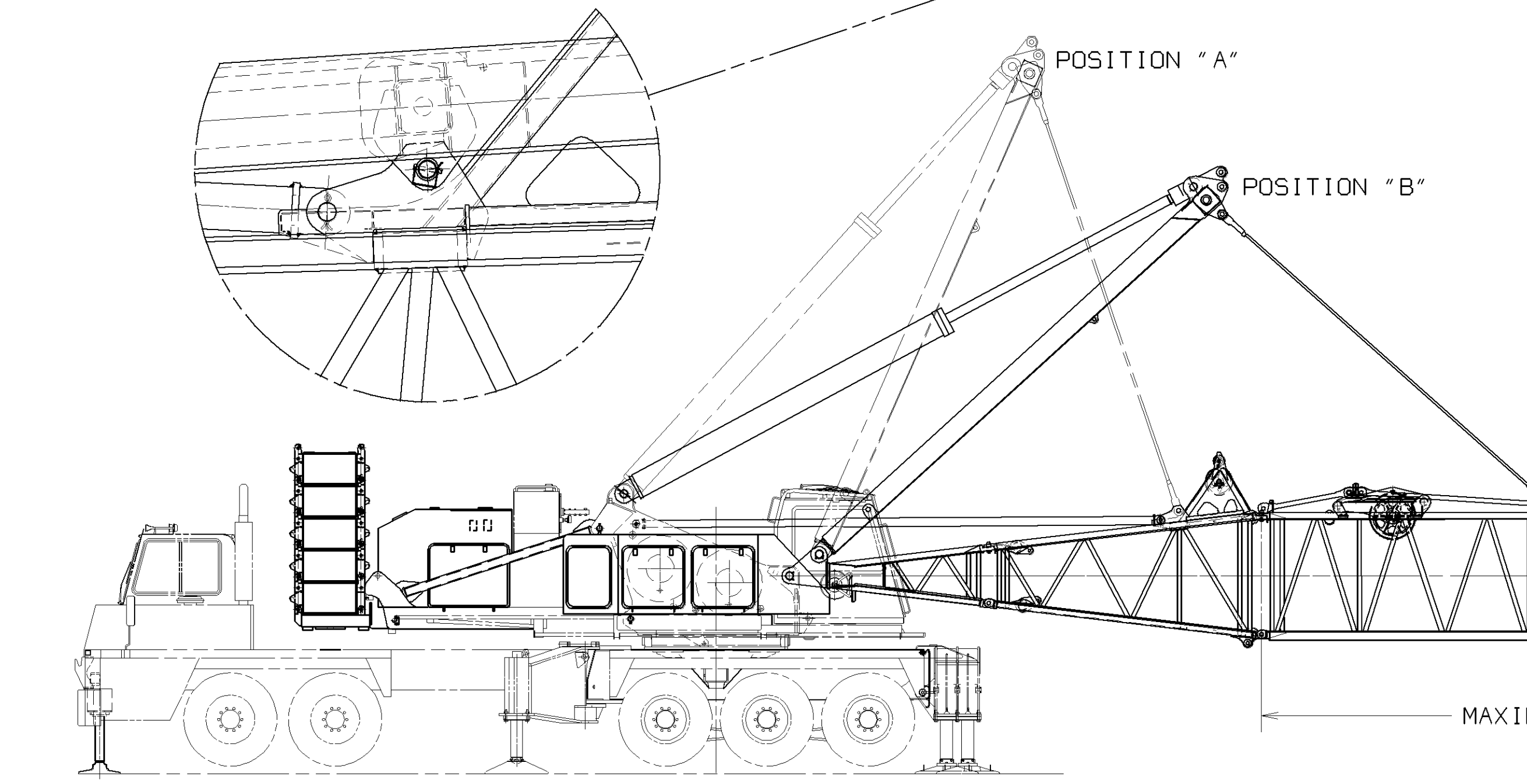
BOOM ASSEMBLY WITH MAST

WARNING!
DO NOT EXCEED 10° BOOM ANGLE WITH MAST PINNED TO BOOM BUTT. DAMAGE TO MAST OR BOOM STOP WILL RESULT.

15.16 FT (4.62M)
2° MAXIMUM BOOM ANGLE FOR 15.66 MAX HEIGHT



MAST PINNED TO BOOM BUTT FOR LOW CLEARANCE TRAVEL



MAST PINNED TO BOOM BUTT FOR LOW CLEARANCE TRAVEL
MAXIMUM BOOM THAT CAN BE CANTILEVERED FROM BOOM BUTT IS AS FOLLOWS:

LENGTH	17.5 FT (5.3M) INSERT	10 FT (3.1M) INSERT	20 FT (6.1M) INSERT	50 FT (15.2M) INSERT	20.0 FT (6.10M) TOP
20.0 FT (6.10M) NO BLOCK	0	0	0	0	1
87.5 FT (26.7M) OR	1	2	0	1	0
	1	0	1	1	0

BOOM HANDLING WITH MAST

WITH MAST PENDANTS PINNED TO BOOM BUTT (POSITION "A"), OR 17.5' INSERT (POSITION "B"), THE MAXIMUM LENGTH OF BOOM INSERTS THAT CAN BE CARRIED IS 87.5 FT. (SAME AS SHOWN IN TABLE ABOVE)

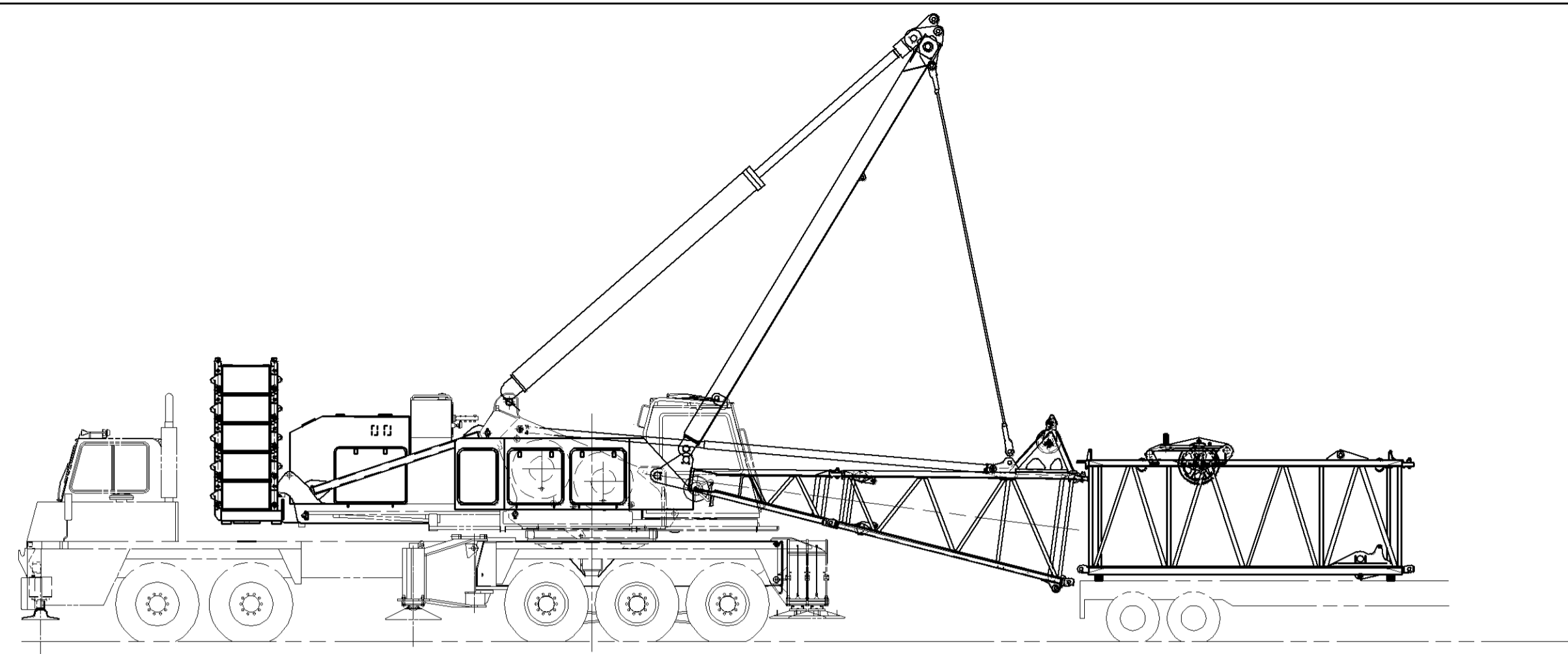
BILL OF MATERIAL

ITEM NO.	QTY	DESCRIPTION	LENGTH	MATERIAL	CODE NO.
INSERT 20 FT W/JIB BACKSTAY AND ADDITIONAL RIGGING PENDANTS					
89	1	INSERT 20 FT (6.10M)			A0258411
90	1	TIMBER (PERMA POLY)			192330
91	2	STRAP			192294
92	4	LINK			192284
93	4	PIN			179863
94	4	COLLAR			179862
95	4	PIN			179959
96	4	PIN			78292
97	2	PENDANT (20.17 FT) (6.15M)			A0339712
98	2	PENDANT TIE DOWN STRAPS			66685213
INSERT 50 FT W/JIB BACKSTAY AND ADDITIONAL RIGGING PENDANTS					
99	1	INSERT 50 FT (15.24M)			A0257311
100	2	TIMBER (PERMA POLY)			192330
101	2	STRAP			192295
102	4	LINK			192284
103	4	PIN			179863
104	4	COLLAR			179862
105	4	PIN			179959
106	4	PIN			78292
107	2	PENDANT (50.17 FT) (15.30M)			A0339812
108	2	PENDANT TIE DOWN STRAPS			66685213
INSERT 20 FT W/JIB BACKSTAY					
109	1	INSERT 20 FT (6.10M)			192337
110	1	TIMBER (PERMA POLY)			192330
111	2	STRAP			192294
112	4	LINK			192284
113	4	PIN			179863
114	4	COLLAR			179862
115	4	PIN			179959
116	4	PIN			78292
INSERT 50 FT W/JIB BACKSTAY					
118	1	INSERT 50 FT (15.24M)			192073
119	2	TIMBER (PERMA POLY)			192330
120	2	STRAP			192295
121	4	LINK			192284
122	4	PIN			179863
123	4	COLLAR			179862
124	4	PIN			179959
125	4	PIN			78292
INTERMEDIATE SUSPENSION ASS'Y					
126	1	INTERMEDIATE SUSPENSION ASSEMBLY			193712
OPTIONAL ASSEMBLY LIST					
127	1	UPPER BOOM POINT ASSEMBLY			1704198
128	1	DRUM SHAFT ASSEMBLY - AUX.			1794919
129	1	BOOM ASSEMBLY LADDER STORAGE			179678

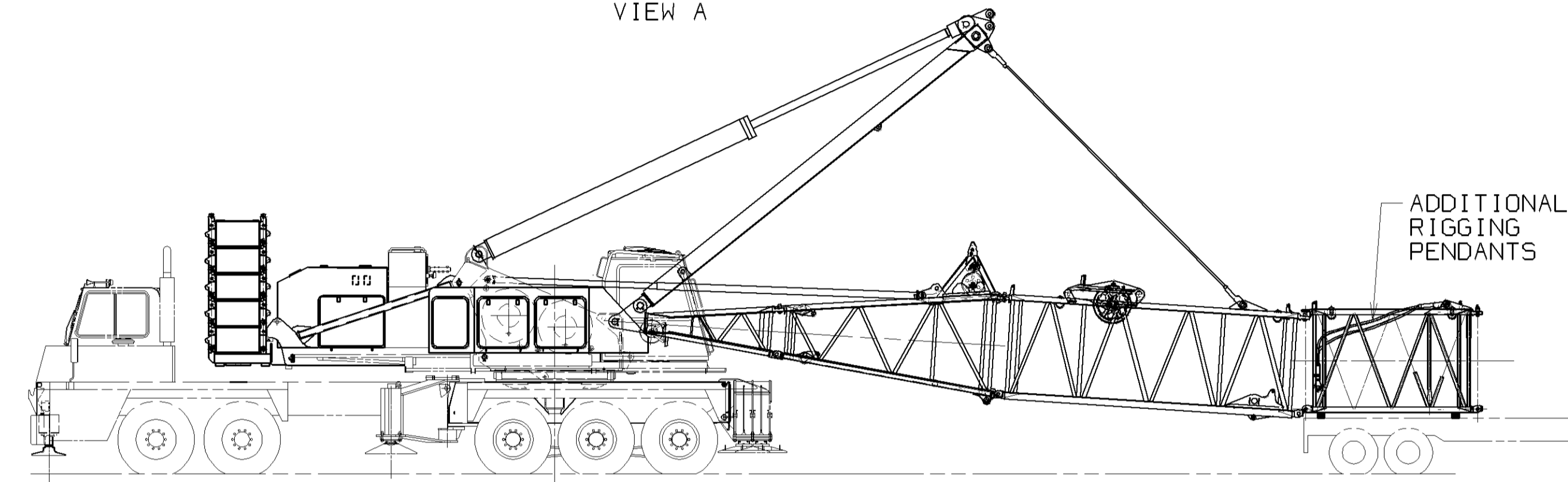
BASIC BOOM 42.5 FT. (13.0M)

ITEM NO.	QTY	DESCRIPTION	LENGTH	MATERIAL	CODE NO.
1	2	BOOM SIGN			A02735
2	8	PIN			179959
3	8	COLLAR			179862
4	2	PIN			192870
5	2	COLLAR			192878
6	4	LINK			192377
7	4	LINK			192284
8	2	PIN			192879
9	6	PIN			179863
10	2	PIN			192877
11	2	PIN			192869
12	2	COLLAR			179195
13	2	PIN			179194
14					
15	1	BOOM POINT ASSEMBLY (LOWER)			1923037
16	1	BOOM TOP (20.0 FT) (6.1M)			179545
17	2	PIN			78292
18	1	MAST ASSEMBLY			192746
19	1	TIMBER (PERMA POLY)			192330
20	1	BOOM TOP STRAP SUPPORT			192174
21	4	LINK			192325
22	2	LINK			192324
23	2	PIN			192871
24	2	STRAP			192296
25	2	STRAP			192345
26					
27					
28					
29					
INSERT 17.5 FT (5.33M)					
30	1	WIRE ROPE GUARD			192284
31	1	SHEAVE			176712
32	2	PIN			172277
33	1	INSERT (17.50 FT) (5.33M)			1921715
34	2	STRAP			192345
35	2	STRAP			192385
36	1	WIRE ROPE GUIDE ASSEMBLY			1927389
37	8	PIN			179959
38	8	COLLAR			179862
39	8	PIN			179863
40	4	PIN			78292
41	8	LINK			192284
42	1	SHAFT			192173
43					
INSERT 10 FT (3.05M)					
44	1	INSERT 10 FT (3.05M)			192335
45	2	STRAP			192293
46	4	LINK			192284
47	4	PIN			179863
48	4	COLLAR			179862
49	4	PIN			179959
50	4	PIN			78292
51					
INSERT 20 FT (6.10M)					
52	1	INSERT 20 FT (6.10M)			192336
53	1	TIMBER (PERMA POLY)			192330
54	2	STRAP			192294
55	4	LINK			192284
56	4	PIN			179863
57	4	COLLAR			179862
58	4	PIN			179959
59	4	PIN			78292
60					
INSERT 50 FT (15.24M)					
61	1	INSERT 50 FT (15.24M)			192072
62	2	TIMBER (PERMA POLY)			192330
63	2	STRAP			192295
64	4	LINK			192284
65	4	PIN			179863
66	4	COLLAR			179862
67	4	PIN			179959
68	4	PIN			78292
69					
INSERT 10 FT WITH ADDITIONAL RIGGING PENDANTS					
70	1	INSERT 10 FT (3.05M)			A0257111
71	2	STRAP			192293
72	4	LINK			192284
73	4	PIN			179863
74	4	COLLAR			179862
75	4	PIN			179959
76	4	PIN			78292
77	2	PENDANT (10 FT) (3.05M)			27686112
78	2	PENDANT TIE DOWN STRAPS			66685213
INSERT 20 FT WITH ADDITIONAL RIGGING PENDANTS					
79	1	INSERT 20 FT (6.10M)			A0257211
80	1	TIMBER (PERMA POLY)			192330
81	2	STRAP			192294
82	4	LINK			192284
83	4	PIN			179863
84	4	COLLAR			179862
85	4	PIN			179959
86	4	PIN			78292
87	2	PENDANT (20.17 FT) (6.15M)			A0339712
88	2	PENDANT TIE DOWN STRAPS			66685213

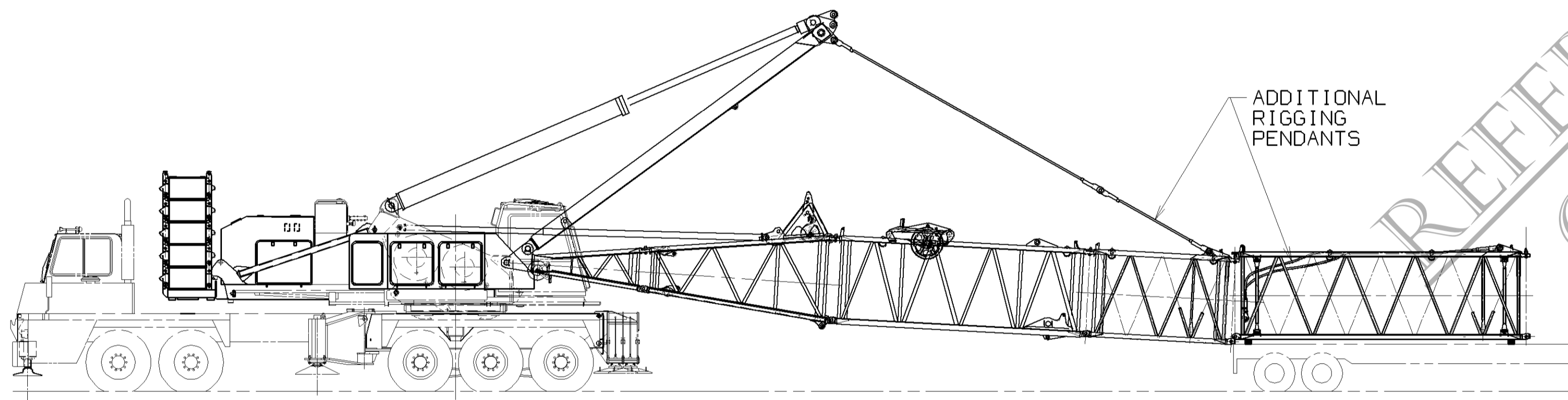
- MAXIMUM NO. OF 10 FT. (3.05 M) INSERTS = 2.
- MAXIMUM NO. OF 20 FT. (6.10 M) INSERTS = 2.
- COMBINATION OF 10 FT. (3.05M) AND 20 FT. (6.10M) INSERTS CANNOT EXCEED 2 - 10 FT. (3.05M) PLUS 1 - 20 FT. (6.10M) OR 1 - 10 FT. (3.05M) PLUS 2 - 20 FT. (6.10M).
- WHEN INTERMEDIATE SUSPENSION IS USED, PIN AND COLLAR FROM INTERMEDIATE SUSPENSION ASSEMBLY IS USED AT THIS LOCATION.
- 17.5 FT (5.33M) INSERT MUST BE INSTALLED ADJACENT TO BOOM BUTT.
- STARTING WITH THE 17.5 FT INSERT, INSERTS MUST BE INSTALLED IN ORDER OF ASCENDING LENGTH. (SEE 11)
- 6 - 30.00 DIA SHEAVES
- JIB CANNOT BE USED WITH THIS ASSEMBLY
- WHEN AUX. BUTT MOUNTED DRUM SHAFT ASSEMBLY (ITEM 128) IS REQUIRED, WIRE ROPE GUIDE ASSEMBLY FOR AUX. DRUM (ITEM 36) IS ALSO REQUIRED.
- SEE SHEET 3 FOR BOOM ASSEMBLY AND DISASSEMBLY UTILIZING ADDITIONAL BOOM RIGGING PENDANTS.
- 270 FT BOOM CONFIGURATION CANNOT BE UTILIZED WHEN ITEMS 70, 79, 89, OR 99 ARE USED.
- SEE DWG 76280
- SEE SHEET 1 FOR SUGGESTED RIGGING PENDANT STORAGE



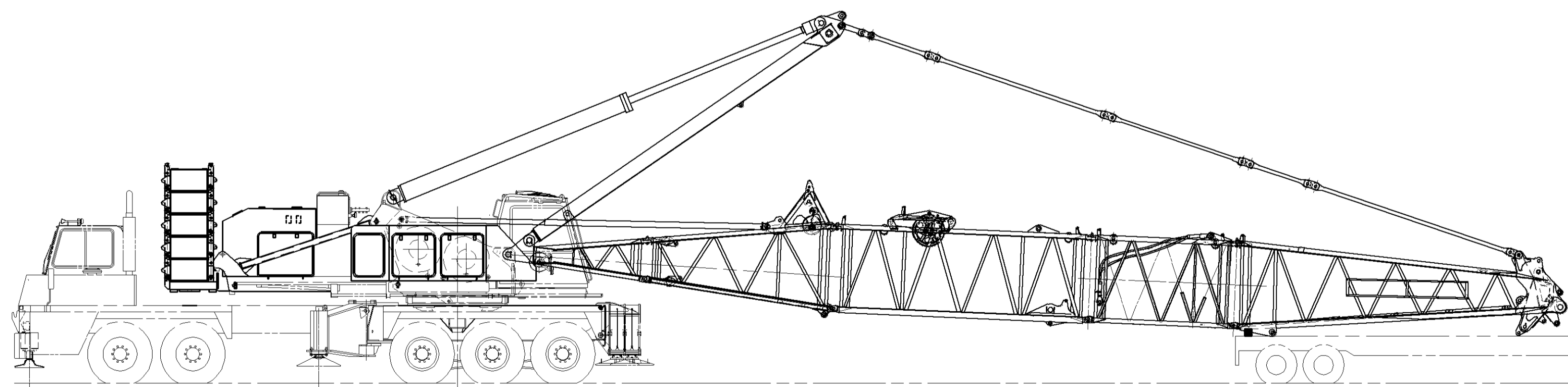
VIEW A



VIEW B



VIEW C



VIEW D

BOOM COMBINATIONS FOR VARIOUS BOOM LENGTHS WHEN UTILIZING ADDITIONAL BOOM RIGGING PENDANTS. (14)

ITEM NO.		33	70	79 OR 89	99	16
BOOM LENGTH		17.5 FT 5.33 M INSERT	10 FT 3.05 M INSERT	20 FT 6.10 M INSERT	50 FT 15.24 M INSERT	20 FT 15.24 M TOP
FEET	METERS					
60	18.3	1	0	0	0	1
70	21.3	1	1	0	0	1
80	24.4	1	0	1	0	1
90	27.4	1	1	1	0	1
100	30.5	1	0	2	0	1
110	33.5	OR 1	1	2	0	1
120	36.6	1	1	0	1	1
130	39.6	1	0	1	1	1
140	42.7	1	1	1	1	1
(15) 150	45.7	1	0	2	1	1
(15) 160	48.8	1	1	2	1	1

(14) INSERTS THAT CAN BE USED WITH THIS CONFIGURATION ARE: ITEMS 33 (17.5'), 70 (10'), 79 (20'), 89 (20'), AND 99 (50'). EACH ITEM NUMBER MAY BE USED ONLY ONCE.

MAXIMUM LENGTH THAT CAN BE FULLY ASSEMBLED USING THE ADDITIONAL RIGGING PENDANTS IS 160'.

(15) OUTRIGGERS MUST BE EXTENDED TO FULLY ASSEMBLE 150' AND 160' BOOM LENGTHS.

BILL OF MATERIAL				ASSEMBLIES USED ON	
ITEM NO.	SEC. NO.	DESCRIPTION	LENGTH IN.	MATERIAL	CODE NO. OR DRG. NO.

BOOM ASSEMBLY UTILIZING ADDITIONAL BOOM HANDLING (60-160 FT ONLY)

- SEE SHEET 4 AND DRAWING 192746 FOR PROPER INSTALLATION OF BOOM BUTT TOP.
- ATTACH 17.5' INSERT TO BOOM BUTT (VIEW A). ATTACH RIGGING PENDANTS TO LUGS ON 17.5' INSERT.
- POSITION MACHINE TO ALIGN UPPER FACT CONNECTORS ON 17.5' INSERT WITH UPPER PIN CONNECTOR HOLES ON BOOM TOP OR INSERT (VIEW B).
- ENGAGE UPPER FACT PINS. CONTINUE BOOMING UP SLOWLY TO ALIGN LOWER PIN CONNECTOR HOLES ON 17.5' INSERT WITH LOWER PIN CONNECTOR HOLES IN TOP OR BOOM INSERT AND INSTALL PINS.

WARNING: DO NOT BOOM UP TO SUPPORT FULL WEIGHT OF BOOM AFTER TOP IS CONNECTED. DAMAGE WILL OCCUR.

- BOOM DOWN TO DISCONNECT RIGGING PENDANT FROM 17.5' INSERT (SUPPORT BOOM ON BLOCKING OR BACK OF TRAILER).
- IF BOOM IS ASSEMBLED, STOW PENDANTS. IF MORE INSERTS ARE REQUIRED: CONNECT RIGGING PENDANTS TO ADDITIONAL RIGGING PENDANTS ON NEXT INSERT.

- POSITION MACHINE TO ALIGN UPPER FACT CONNECTORS ON INSERT WITH UPPER PIN CONNECTOR HOLES ON BOOM TOP OR INSERT TO BE ASSEMBLED (VIEW C).

- ENGAGE UPPER FACT PINS. CONTINUE BOOMING UP SLOWLY TO ALIGN LOWER PIN CONNECTOR HOLES ON INSERT WITH LOWER PIN CONNECTOR HOLES IN TOP OR BOOM INSERT BEING ASSEMBLED AND INSTALL PINS.

WARNING: DO NOT BOOM UP TO SUPPORT FULL WEIGHT OF BOOM AFTER TOP IS CONNECTED. DAMAGE WILL OCCUR.

- BOOM DOWN TO DISCONNECT RIGGING PENDANT FROM INSERT (SUPPORT BOOM ON BLOCKING OR BACK OF TRAILER).
- IF BOOM IS ASSEMBLED, STOW PENDANTS (SEE (13)). IF MORE INSERTS ARE REQUIRED: CONNECT RIGGING PENDANTS TO ADDITIONAL RIGGING PENDANTS ON NEXT INSERT.
- REPEAT 7 THRU 10 FOR DESIRED LENGTH.
- ATTACH BOOM STRAPS TO MAST LINK (VIEW D).
- SEE INTERMEDIATE SUSPENSION DIAGRAMS ON SHEET 1 FOR 150' AND 160' BOOMS.
- BOOM UP TO DESIRED ANGLE.

TO DISASSEMBLE BOOM UTILIZING ADDITIONAL BOOM HANDLING (60-160 FT ONLY)

- BOOM DOWN AND SUPPORT BOOM ON BLOCKING OR TRAILER (VIEW D).
- DISCONNECT BOOM STRAPS FROM MAST LINKS.
- CONNECT RIGGING PENDANTS TO INSERT NEXT TO TOP.
- BOOM UP SLOWLY TO SUPPORT WEIGHT OF BOOM. BUT DO NOT LIFT BOOM TOP OFF BLOCKING OR TRAILER.

WARNING: BOOMING UP TO SUPPORT FULL WEIGHT OF BOOM WILL DAMAGE BOOM.

- REMOVE LOWER CONNECTING PINS CONNECTING INSERT AND TOP.

WARNING: BOOM MUST BE PROPERLY BLOCKED TO PREVENT SHIFTING DURING PIN REMOVAL.

- SLOWLY BOOM DOWN TO DISENGAGE UPPER FACT CONNECTOR PINS AND BACK AWAY.
- BOOM DOWN AND SUPPORT REMAINING BOOM ON BLOCKING OR TRAILER.
- DISCONNECT RIGGING PENDANTS CORRESPONDING TO NEXT INSERT TO BE REMOVED. STOW PENDANTS. ATTACH RIGGING PENDANTS TO INSERT LOCATED BEHIND INSERT TO BE REMOVED.
- REPEAT 4 THRU 8 UNTIL BOOM IS DISASSEMBLED.
- SEE SHEET 4 AND DRAWING 192746 FOR PROPER REMOVAL OF BOOM BUTT TOP. LINK 193144 MUST BE INSTALLED.

REVISIONS

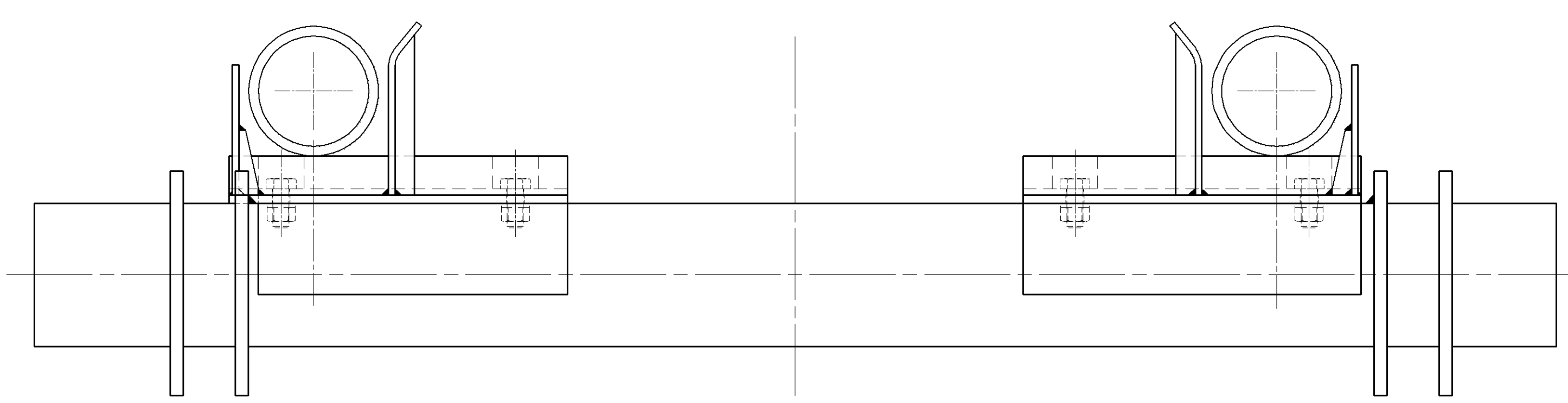
REFERENCE ONLY!

THIS PRINT REMAINS THE PROPERTY OF MANITOWOC CRANES, INC. ALL INFORMATION CONTAINED THEREON IS CONFIDENTIAL. IT IS LOANED, SUBJECT TO RETURN UPON DEMAND, AND ON EXPRESS CONDITION THAT IT IS NOT TO BE COPIED OR USED DIRECTLY OR INDIRECTLY IN ANY WAY WHATSOEVER DETRIMENTAL TO OUR INTERESTS.	TOLERANCE UNLESS OTHERWISE SPECIFIED			SCALE .15=1FT DR: NPH CK: TSC APP: TSC	A03379	Manitowoc Cranes, Inc. Manitowoc, Wisconsin	BOOM ASSEMBLY
	DECIMAL PLACES	FABRICATION	MACHINING				
	(1) PLACE 0.0	± .120 > 10 FEET ± .180 > 10 FEET	± .030				
	(2) PLACE 0.00	± .060	± .015				
(3) PLACE 0.000	± .005	± .005					
ANGLES	± 1'30"	± 0'30"					
						MODEL 777T	#78TA BOOM RIGGING

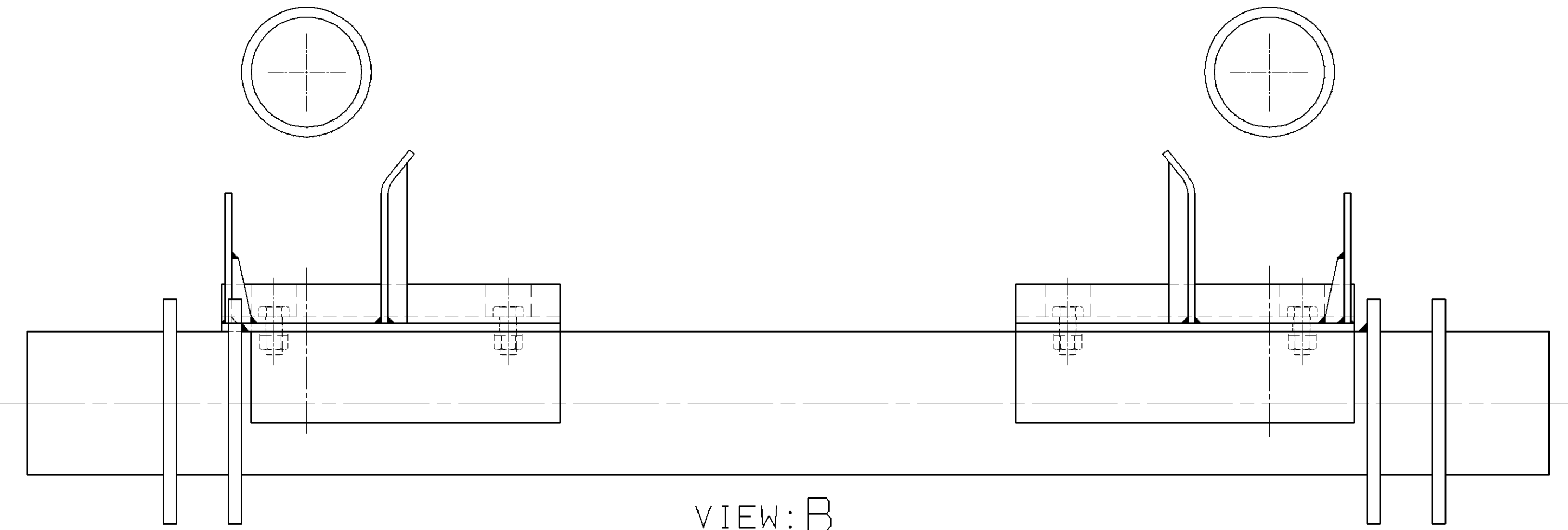
DATE
4-8-02

PATTERN NO.

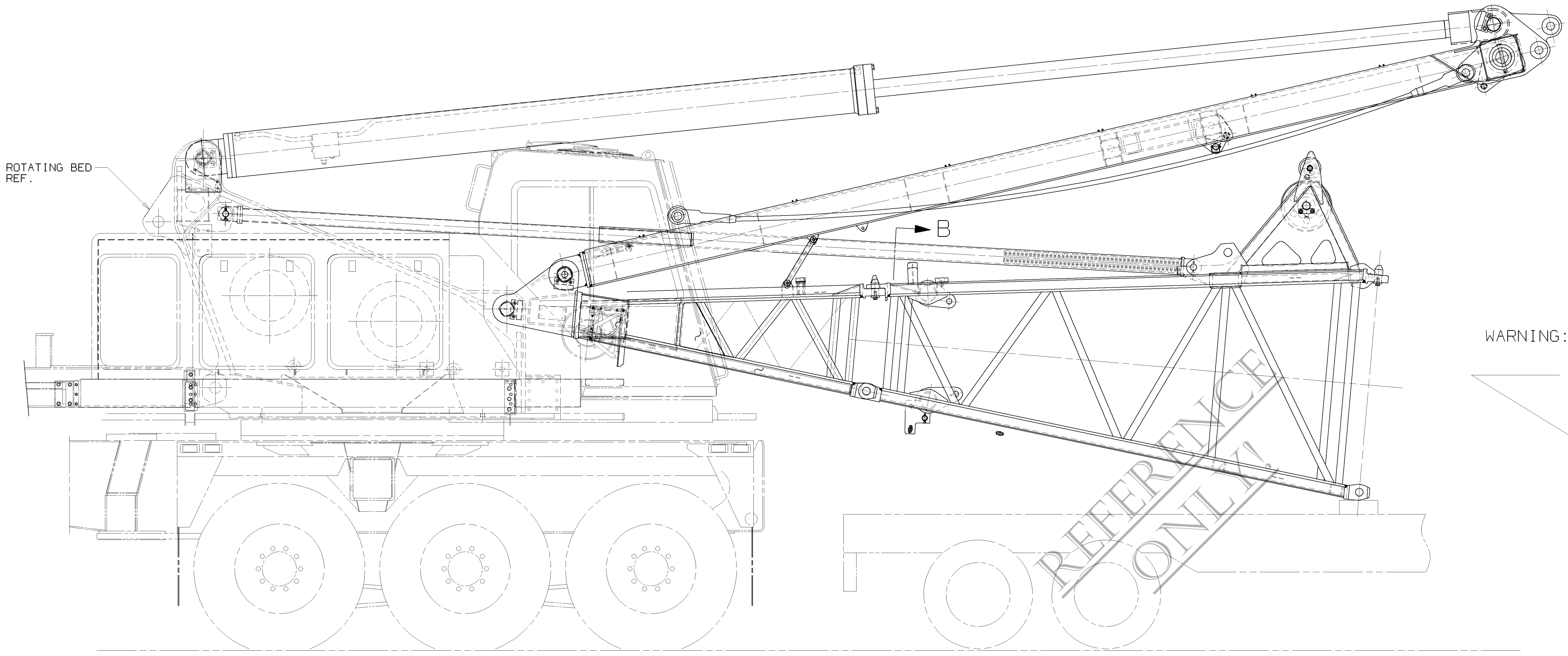
DWG. NO.
A03379



VIEW: A
 SETUP POSITION
 SCALE: 3=1FT

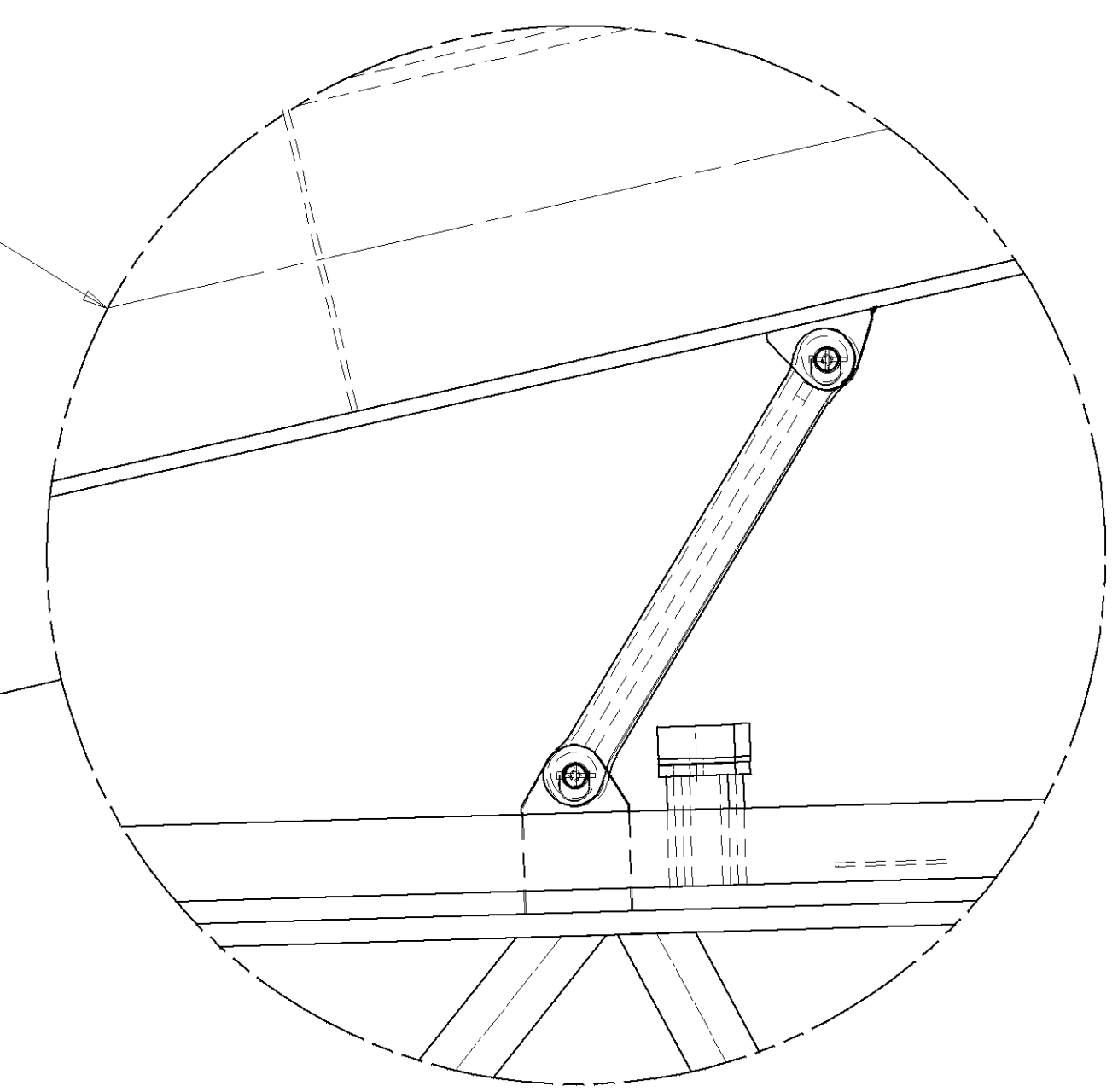


VIEW: B
 OPERATING POSITION:
 POSITION AFTER BOOM STOPS
 ARE PINNED TO ROTATING BED.
 SCALE: 3=1FT

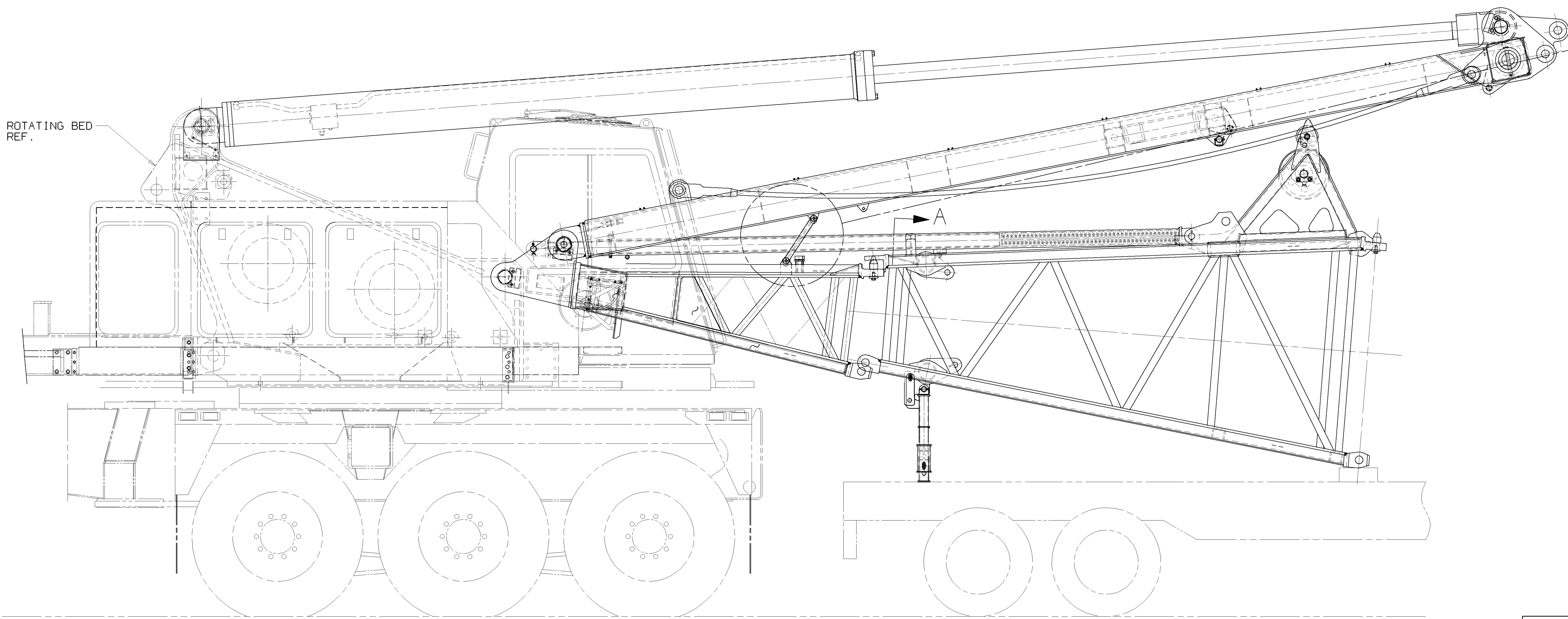


OPERATING POSITION

WARNING:
 LINK (193144) MUST BE INSTALLED WHEN BOOM BUTT TOP (179548) IS NOT. BODILY INJURY AND OR DAMAGE TO MACHINE MAY OCCUR. PLEASE REF. DRAWING 192746 (MAST ASSEMBLY) FOR PROPER INTALLATION.



BOOM STOP AND STRAPS REMOVED FOR CLARITY



SETUP POSITION

DO NOT SCALE THIS DRAWING

<small>THIS PRINT REMAINS THE PROPERTY OF MANITOWOC CRANES, INC. ALL INFORMATION CONTAINED HEREON IS CONFIDENTIAL. IT IS LOANED, SUBJECT TO RETURN UPON DEMAND, AND ON EXPRESS CONDITION THAT IT IS NOT TO BE COPIED OR USED DIRECTLY OR INDIRECTLY IN ANY WAY WHATSOEVER DETRIMENTAL TO OUR INTERESTS.</small>		<small>TOLERANCE UNLESS OTHERWISE SPECIFIED</small> <table border="1"> <tr> <th>DECIMAL PLACES</th> <th>FABRICATION</th> <th>MACHINING</th> </tr> <tr> <td>(1) PLACE 0.0</td> <td>± 1.00</td> <td>± 0.00</td> </tr> <tr> <td>(2) PLACE 0.00</td> <td>± 0.00</td> <td>± 0.01</td> </tr> <tr> <td>(3) PLACE 0.000</td> <td>± 0.00</td> <td>± 0.005</td> </tr> <tr> <td>ANGLES</td> <td>± 1.50</td> <td>± 0.30</td> </tr> </table>	DECIMAL PLACES	FABRICATION	MACHINING	(1) PLACE 0.0	± 1.00	± 0.00	(2) PLACE 0.00	± 0.00	± 0.01	(3) PLACE 0.000	± 0.00	± 0.005	ANGLES	± 1.50	± 0.30	<small>SCALE</small> 1/2"=1'-0" <small>DR: NPH</small> <small>CHK: TSC</small> <small>APP: TSC</small>	Manitowoc Cranes, Inc. Manitowoc, Wisconsin MODEL 777T	BOOM ASSEMBLY # 78TA BOOM RIGGING	<small>DATE</small> 4-8-02 <small>PATTERN NO.</small> A03379 <small>Doc. No.</small> A03379 <small>SHT 4 OF 4</small>
DECIMAL PLACES	FABRICATION	MACHINING																			
(1) PLACE 0.0	± 1.00	± 0.00																			
(2) PLACE 0.00	± 0.00	± 0.01																			
(3) PLACE 0.000	± 0.00	± 0.005																			
ANGLES	± 1.50	± 0.30																			