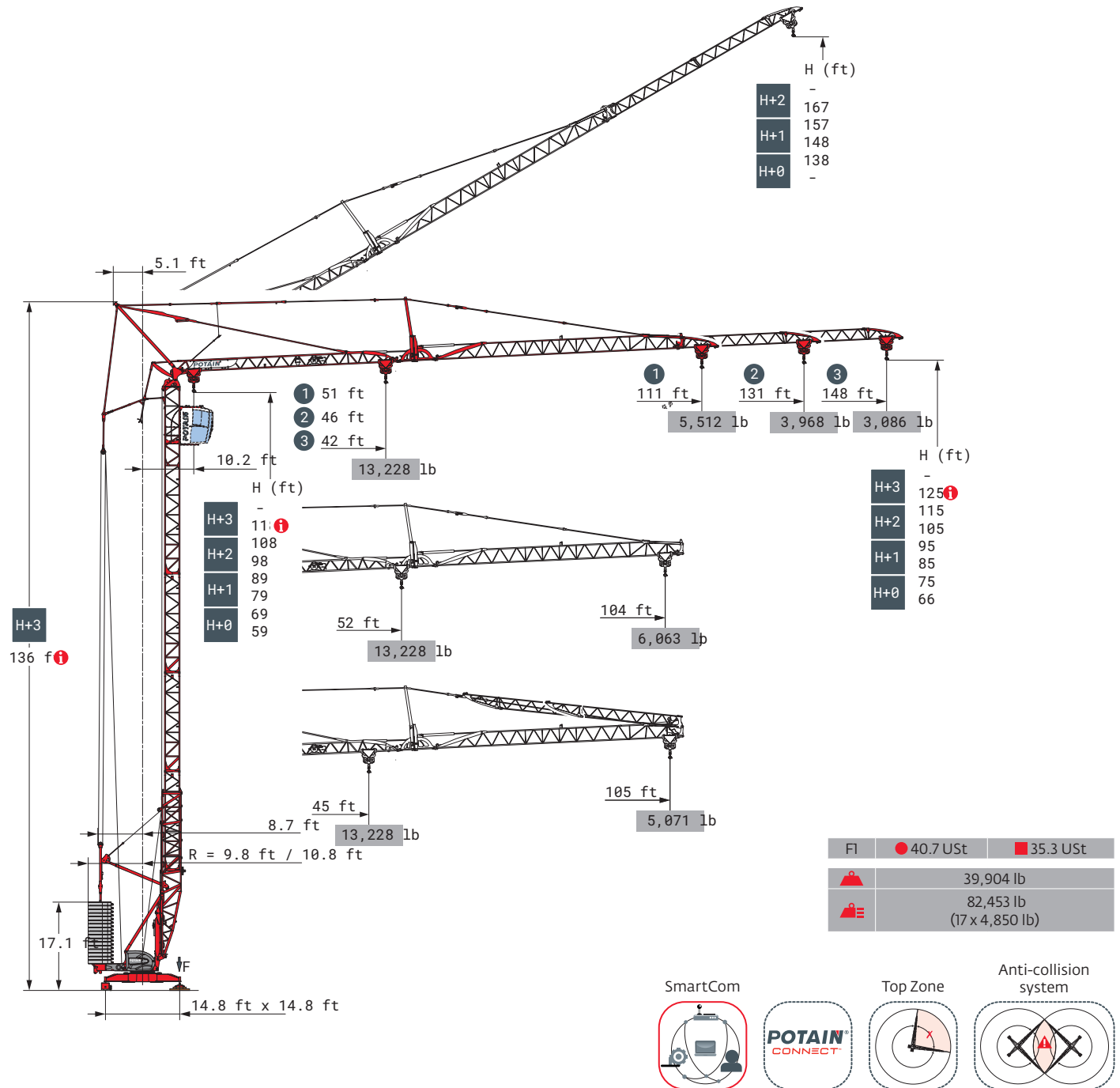
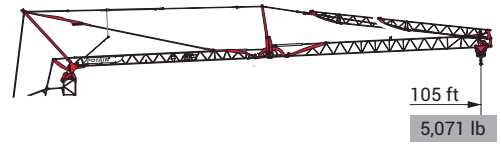
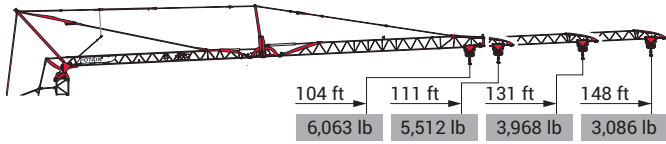


## Igo T 85 A

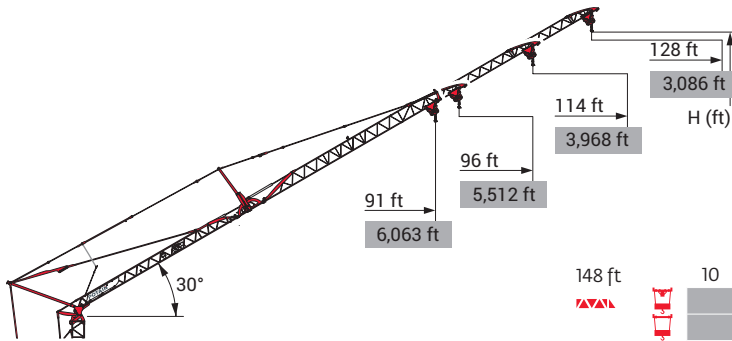


Load curves



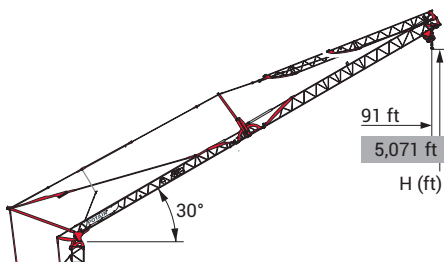
148 ft	10	▶	42	46	52	59	66	73	78	79	85	92	98	105	112	118	125	131	138	148	ft
▲▲▲			13,228	11,685	9,921	8,598	7,496	6,614	-	6,063	5,512	5,071	4,630	4,299	3,968	3,638	3,417	3,197	2,976	2,756	lb
								6,614	-	6,063	5,512	5,071	4,630	4,299	3,968	3,638	3,417	3,197	2,976	2,756	lb
									6,614	6,504	5,952	5,401	4,960	4,630	4,299	4,079	3,748	3,527	3,307	3,086	lb
131 ft	10	▶	46	52	59	66	72	81	85	85.3	92	98	105	112	118	125	131			ft	
▲▲▲			13,228	11,023	9,700	8,378	7,496	6,614	-	6,173	5,622	5,181	4,850	4,409	4,189	3,858	3,638				lb
								6,614	-	6,173	5,622	5,181	4,850	4,409	4,189	3,858	3,638				lb
									6,614	6,614	6,063	5,622	5,181	4,850	4,519	4,189	3,968				lb
111 ft	10	▶	51	59	66	72	79	85	91	95	98	105	111							ft	
▲▲▲			13,228	11,023	9,700	8,598	7,716	7,055	6,614	-	5,952	5,512	5,181								lb
									6,614	-	5,952	5,512	5,181								lb
										6,614	6,283	5,842	5,512								lb
104 ft	10	▶	52	59	66	72	79	85	92	96	98	104								ft	
▲▲▲			13,228	11,244	9,921	8,818	7,937	7,275	6,614	-	6,173	5,732									lb
									6,614	-	6,173	5,732									lb
										6,614	6,504	6,063									lb

148 ft	10	▶	45	52	59	66	72	79	84	92	98	105	ft
▲▲▲			13,228	11,023	9,480	8,378	7,496	6,614	-	5,622	5,181	4,740	lb
								6,614	-	5,622	5,181	4,740	lb
									6,614	5,952	5,512	5,071	lb



▲▲▲	148 ft	131 ft	111 ft	104 ft
H+2	167	159	-	-
H+1	157	149	-	-
H+0	148	139	129	126







148 ft	10	▶	64	68	72	79	85	92	98	105	112	118	125	128	ft
▲▲▲			6,614	-	5,732	5,181	4,630	4,189	3,858	3,527	3,307	3,086	2,866	2,756	lb
				6,614	6,173	5,512	5,071	4,630	4,189	3,968	3,638	3,417	3,197	3,086	lb
131 ft	10	▶	70	74	79	85	92	98	105	114				ft	
▲▲▲			6,614	-	5,732	5,181	4,740	4,409	4,079	3,638				lb	
				6,614	6,173	5,622	5,071	4,740	4,409	3,968				lb	
111 ft	10	▶	79	82	85	92	96							ft	
▲▲▲			6,614	-	5,952	5,512	5,181							lb	
				6,614	6,393	5,842	5,512							lb	
104 ft	10	▶	80	84	85	91								ft	
▲▲▲			6,614	-	6,173	5,732								lb	
				6,614	6,504	6,063								lb	







▲▲▲	148 ft	131 ft
H+1	-	
H+0	126	116

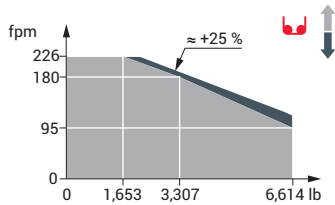
148 ft	10	▶	70	73	79	85	91	ft
▲▲▲			6,614	-	5,732	5,181	4,740	lb
				6,614	6,063	5,512	5,071	lb

Mechanisms

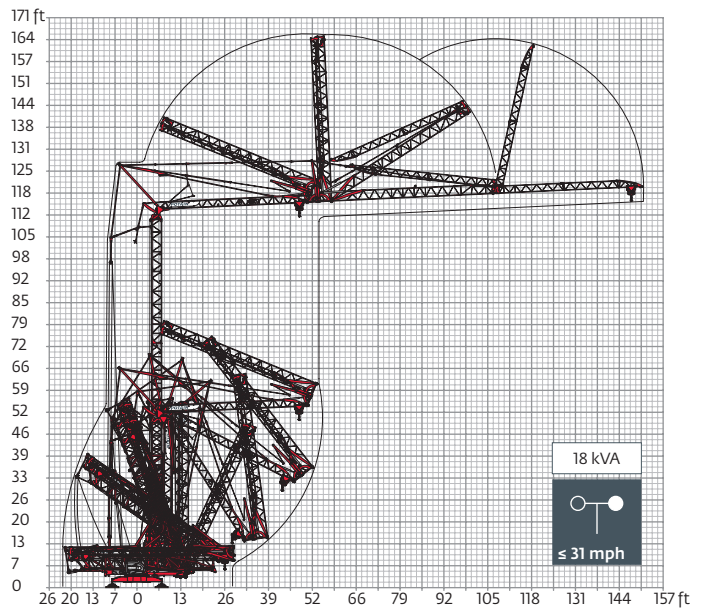
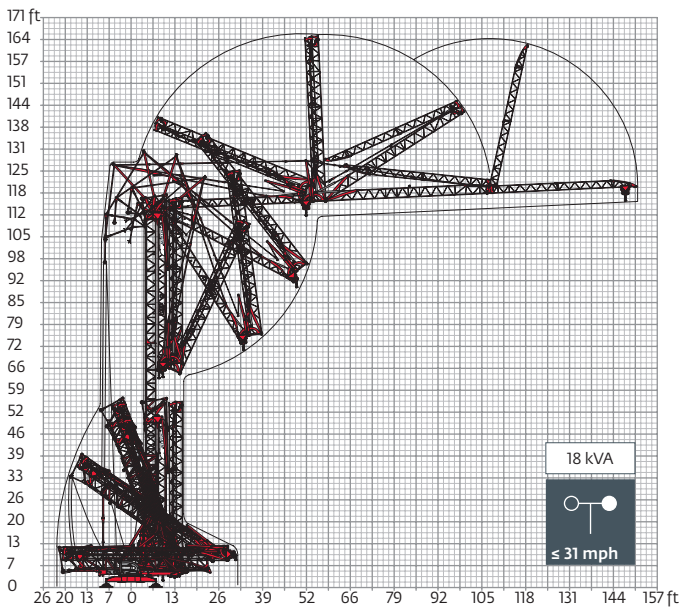
480 V - 60 Hz													hp	kW
	20 LVF 15 Optima	fpm	11	56	95	180	226	5	28	48	90	113	20	15
		lb	6,614	6,614	6,614	3,307	1,653	13,228	13,228	13,228	6,614	3,307		
	5 DVF 5	fpm	49 - 98 - 131 (4,409 → 13,228 lb) 49 - 98 - 180 (0 → 4,409 lb)									5.5	4	
	RVF 151 Optima+	rpm	0 → 0.8									5.5	4	
	TVF 324	fpm	82									2 x 4	2 x 3	

 IEC 60204-32	
480 V (+6% -10%) 60 Hz	 22 kVA  25 kVA

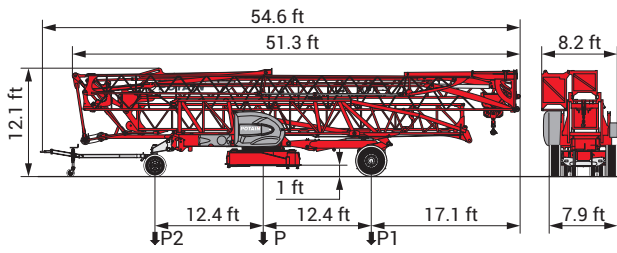
20 LVF 15 Optima



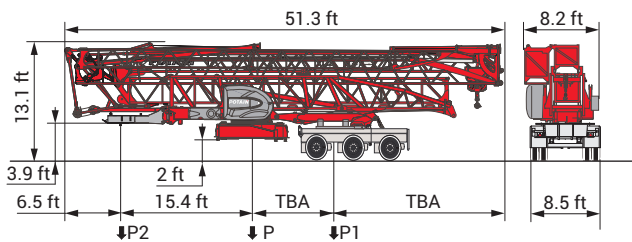
Erection



Transport



	mph	P (lb)	P1 (lb)	P2 (lb)
DJ100/S120	6	42,682	25,333	17,348
DJ105A/S125A	15.5	43,321	25,796	17,524
..... /.....				



	P (lb)	P1 (lb)	P2 (lb)
North America Highway Axle			

The reactions meet the EN 14439 and ASCE 7-10 specifications for "out of service" wind conditions, provided the illustrated wind speed matches required design wind speed for the location of the tower crane. The "out of service" design wind speed was determined in accordance with ASCE 7-10, Figure 26.5-1A. The wind velocity, used for this configuration was 98 mph (158 kph), which represents a nominal design 3-second wind gust at 33 ft (10 m) above ground for Exposure B category. A factor of 0.85 was applied to the 700-year ultimate design wind speed of 115 mph (185 kph), per ASCE 37-02, with the assumption that this crane is considered a temporary structure used during a construction period of 2 years or less.

- R Rear slewing radius
- Reactions in service
- Reactions out of service
- ⚖ Weight without load, without ballast, without transport axes, with max. jib and standard height
- ⚖ Total ballast weight
- Standard equipment
- ⊞ Options
- kVA Required power
- i Consult us
- ⬆ Hoisting
- ⬆ Trolleying
- ⬆ Slewing
- ⬆ Travelling

Hook heights given with plated pulley block

⚠ This commercial document is not legally binding

For any technical information, please refer to the corresponding instructions

