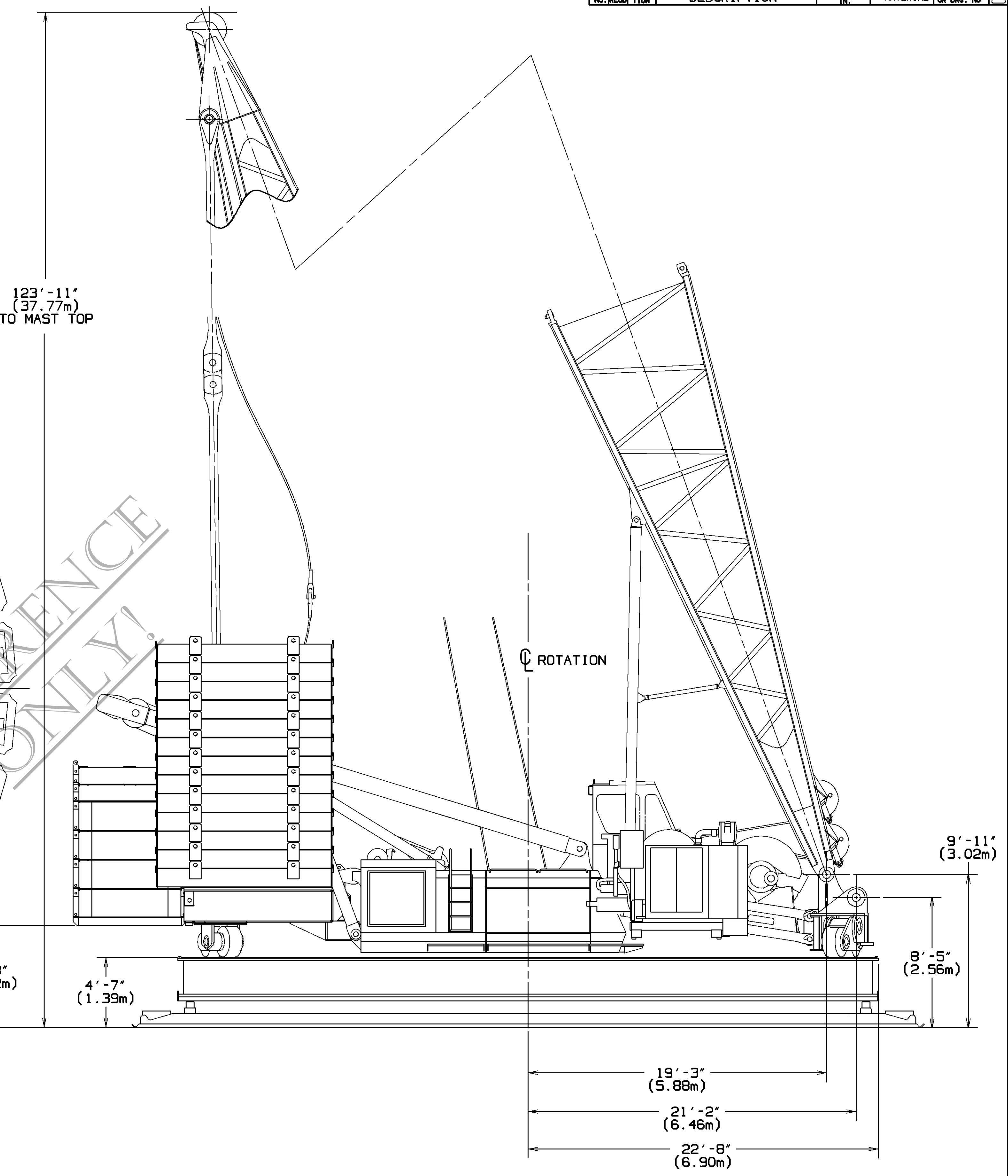
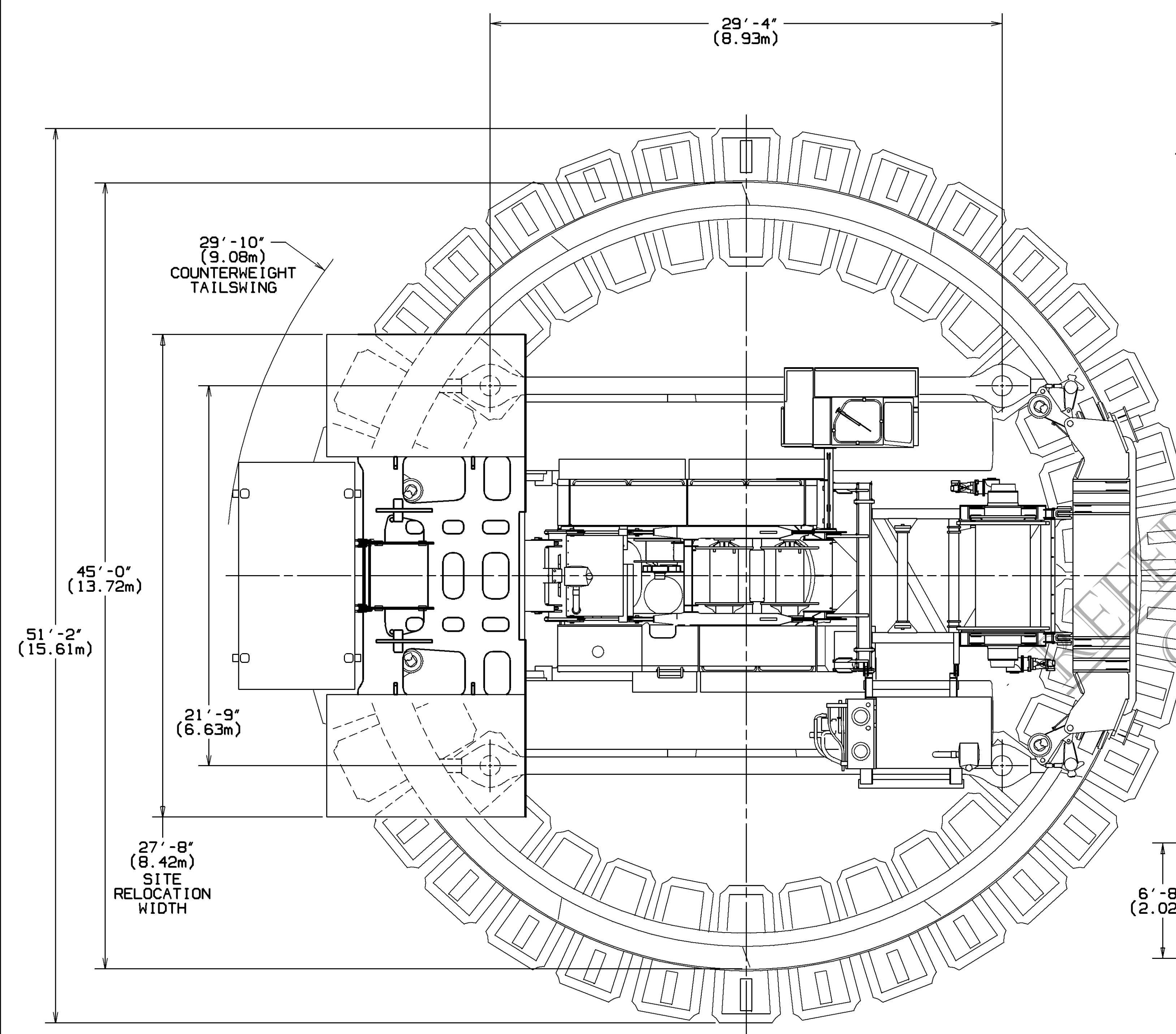


BILL OF MATERIAL				
ITEM NO.	SEC. NO.	DESCRIPTION	LENGTH IN.	MATERIAL

ASSEMBLIES USED ON

REVISIONS



NOTE: ALL VERTICAL DIMENSIONS ARE BASED ON 2' (.61 m) CLEARANCE BETWEEN UNDERSIDE OF RING AND GROUND. VERTICAL DIMENSIONS WILL VARY DEPENDING ON HEIGHT ADJUSTMENT OF RING.

SCALE 1/4" = 1'	DR. NYS	DATE 10-28-96
CR. MF	DES. NO. 178404	PATTERN NO.
APP TP	Mantowoc Cranes, Inc. Mantowoc, Wisconsin	MODEL 888 RINGER
		CRANE OUTLINE DIMENSION
		178404

DO NOT SCALE THIS DRAWING