

Liftcrane Luffing Jib Capacities

Luffing Jib No. 135 on Boom No. 74
55 110 kg Crane Counterweight
16 010 kg Carbody Counterweight
360 Degree Rating



MLC165 SERIES 2



LIFTING CAPACITIES: Lifting capacities for various boom lengths, boom angles, luffing jib lengths, and luffing jib operating radii are for freely suspended loads and do not exceed 75% of a static tipping load. Capacities based on structural competence are denoted by an asterisk (*).

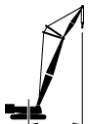
Luffing Jib Backward Stability: Capacities indicated by (b) require 1 280 kg minimum weight suspended beneath luffing jib point. Capacities indicated by (c) require 2 720 kg minimum weight suspended beneath luffing jib point. Capacities indicated by (d) require 4 990 kg minimum weight suspended beneath luffing jib point. **Caution: Do not luff into areas indicated by (b), (c), or (d) without required minimum weights.** Luffing jib will not luff down and luffing hoist wire rope may overhaul luffing jib and cause luffing hoist to go slack causing wire rope damage or failure.

Lower boom point must be completely removed from 51,0 m boom length.

Weight of all load blocks, hooks, weight ball, slings, hoist lines, etc., beneath boom and luffing jib point sheaves is considered part of luffing jib load. Boom and luffing jib are not to be lowered beyond radii where combined weights are greater than rated capacity. Where no capacity is shown, operation is not intended or approved.

OPERATING CONDITIONS: Machine to operate on a firm uniformly supporting surface and bearing turntable level within a tolerance of 13 mm in 3 m and properly supported. During operation, boom must be maintained at one of the selected angles shown in chart. Refer to Luffing Jib Assembly **No. 81022481**, Wire Rope Specification chart **No. 9313-A**, Luffing Jib Raising Procedure chart **No. 9304-AM**, and Wind Conditions chart **No. 9289-A**. Crane operator judgment must be used to allow for dynamic load effects of swinging, hoisting or lowering, travel, wind conditions, as well as adverse operating conditions and physical machine depreciation. Refer to Operator's Manual for operating guidelines.

MACHINE TRAVEL: Machine to travel on a firm, level, and uniformly supporting surface. Boom and luffing jib must be within angle range shown in capacity chart. Refer to Maximum Allowable Travel Specification chart **No. 9312-A**.



OPERATING RADIUS: Operating radius is horizontal distance from axis of rotation to center of vertical hoist line or load block.



BOOM ANGLE: Boom angle in degrees (°) is angle between horizontal and centerline of boom butt and inserts.

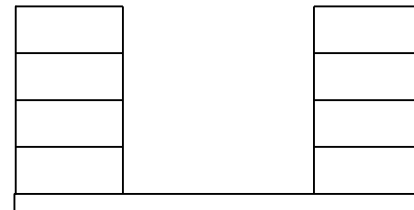


LUFFING JIB ANGLE: Luffing jib angle in degrees (°) is angle between horizontal and centerline of luffing jib butt and inserts, and is an indication of operating radius. In all cases, operating radius shall govern capacity.



LUFFING JIB POINT ELEVATION: Luffing jib point elevation is vertical distance from ground level to centerline of luffing jib point shaft.

MACHINE EQUIPMENT: Machine equipped with 7 986 mm crawlers, 1 100 mm treads, 7 200 mm live mast, 18 part boom hoist reeving, four 28 mm boom pendants, 8 part luffing jib hoist reeving, two 38 mm luffing jib pendants and backstays, 55 110 kg crane counterweight, and two 8 005 kg carbody counterweights.



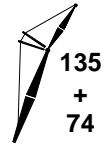
55 110 kg Crane Counterweight
8 Side Boxes

WARNING: Free fall operation is limited to 5 900 kg per part of line when lowering load with free fall clutch/brake pedal. Hydraulic power must be used for full line pull.

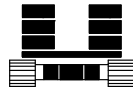
Lower Boom Point Sheave Deduct

Deduct 300 kg from capacities for boom lengths 45,0 m thru 48,0 m when lower boom point is equipped with outer sheave clusters.

Explanation of Symbols



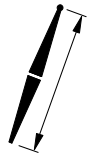
Luffing Jib No. 135
+
Boom No. 74



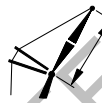
Crane Counterweight
+
Carbody Counterweight



360 Degree Rating



Boom Length



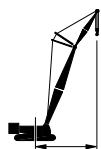
Luffing Jib Length



Boom Angle
(see page 1)

REFERENCE ONLY!

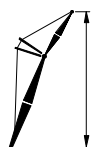
Explanation of Symbols (continued)



Operating Radius
(see page 1)



Luffing Jib Angle
(see page 1)



Luffing Jib Point Elevation
(see page 1)

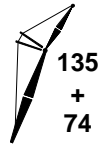


Lifting Capacities
(see page 1)

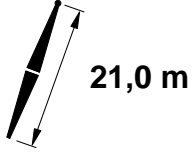
REFERENCE ONLY!

MLC165 S-2

ASME B30.5



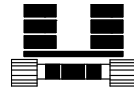
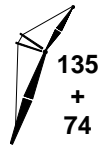
55 110 kg
+
16 010 kg



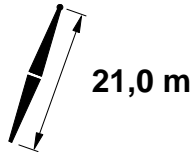
	87°			83°			80°			
	m	m	kg	m	m	kg	m	m	kg	
9,1	73,8	43,5	50 000 *d							9,1
10,0	71,4	43,2	50 000 *d							10,0
12,0	65,7	42,5	47 000 *c							12,0
14,0	59,6	41,4	41 700 *c	64,0	42,0	44 300 b				14,0
16,0	53,1	40,1	37 300 *b	57,9	40,9	37 200 b	61,3	41,4	36 600 b	16,0
18,0	46,1	38,4	32 900 *b	51,3	39,5	32 000	54,9	40,1	31 300	18,0
20,0	38,1	36,2	28 500 *b	44,0	37,7	28 000	48,1	38,5	27 400	20,0
22,0	28,2	33,1	25 200 *	35,6	35,3	24 800	40,4	36,5	24 300	22,0
24,0	12,9	27,8	21 100 *	25,0	31,9	22 200	31,2	33,7	21 700	24,0
26,0										26,0
28,0										28,0
30,0										30,0
32,0										32,0

MLC165 S-2

ASME B30.5



55 110 kg
+
16 010 kg

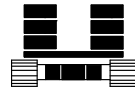


	75°			70°			65°			
	m	m	kg	m	m	kg	m	m	kg	
9,1										9,1
10,0										10,0
12,0										12,0
14,0										14,0
16,0										16,0
18,0										18,0
20,0	54,2	39,5	26 400							20,0
22,0	47,2	37,9	23 400	53,3	38,7	22 600				22,0
24,0	39,4	35,7	21 000	46,3	37,0	20 200				24,0
26,0	30,0	32,9	18 900	38,3	34,8	18 200	45,0	35,9	17 600	26,0
28,0				28,5	31,8	16 600	36,8	33,6	16 000	28,0
30,0				13,4	26,5	15 100	26,6	30,4	14 600	30,0
32,0							8,8	24,1	13 300	32,0

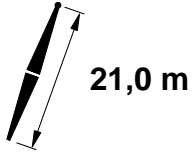
REFERENCE ONLY





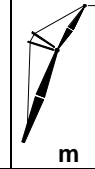



MLC165 S-2

ASME B30.5



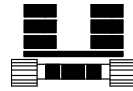
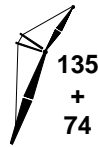
55 110 kg
+
16 010 kg



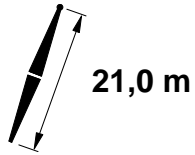
	87°			83°			80°			
	 m	 m	 kg	 m	 kg	 m	 kg	 m		
9,8	74,4	46,5	46 900 *d						9,8	
10,0	73,8	46,4	46 900 *d						10,0	
12,0	68,9	45,8	44 900 *c						12,0	
14,0	63,7	44,9	40 600 *c	67,5	45,4	43 500 b			14,0	
16,0	58,3	43,8	36 500 *b	62,3	44,4	37 200 b	65,1	44,8	36 400 b	16,0
18,0	52,6	42,4	32 700 b	56,8	43,3	31 900	59,8	43,7	31 200	18,0
20,0	46,5	40,7	28 700	51,0	41,8	27 900	54,2	42,4	27 300	20,0
22,0	39,6	38,6	25 400	44,7	40,0	24 700	48,2	40,8	24 200	22,0
24,0	31,5	35,8	22 800	37,5	37,7	22 100	41,5	38,8	21 700	24,0
26,0	20,8	31,7	20 500	28,9	34,6	20 000	33,8	36,2	19 500	26,0
28,0				16,8	29,9	18 100	24,1	32,6	17 800	28,0
30,0										30,0
32,0										32,0
34,0										34,0

MLC165 S-2

ASME B30.5



55 110 kg
+
16 010 kg

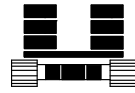


	75°			70°			65°			
	m	m	kg	m	m	kg	m	m	kg	
9,8										9,8
10,0										10,0
12,0										12,0
14,0										14,0
16,0										16,0
18,0										18,0
20,0	59,2	43,1	26 300							20,0
22,0	53,6	41,8	23 300							22,0
24,0	47,5	40,2	20 900	52,8	41,0	20 100				24,0
26,0	40,7	38,1	18 800	46,6	39,3	18 100	51,8	40,0	17 400	26,0
28,0	32,9	35,4	17 100	39,7	37,2	16 500	45,5	38,2	15 800	28,0
30,0	22,8	31,6	15 600	31,7	34,4	15 100	38,5	36,0	14 500	30,0
32,0				21,1	30,4	13 800	30,2	33,1	13 300	32,0
34,0							18,8	28,7	12 200	34,0

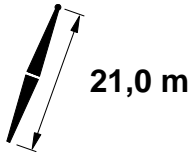
REFERENCE ONLY









MLC165 S-2

ASME B30.5



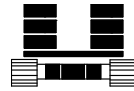
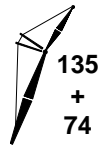
55 110 kg
+
16 010 kg



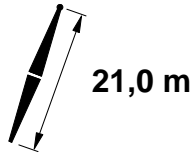
	87°			83°			80°			
	 m	 m	 kg	 m	 kg	 m	 kg	 m		
10,4	74,9	49,5	42 400 *d						10,4	
12,0	71,3	49,0	40 500 *c						12,0	
14,0	66,8	48,2	38 000 *c	70,1	48,6	40 000 *b			14,0	
16,0	62,2	47,3	35 600 *b	65,6	47,8	37 000 b			16,0	
18,0	57,4	46,1	32 500 *b	60,9	46,8	31 900	63,5	47,2	31 200	18,0
20,0	52,2	44,7	28 600 b	56,0	45,6	27 800	58,7	46,1	27 200	20,0
22,0	46,7	43,0	25 400	50,8	44,1	24 600	53,7	44,7	24 100	22,0
24,0	40,7	40,9	22 700	45,2	42,3	22 100	48,3	43,1	21 600	24,0
26,0	33,8	38,3	20 500	38,9	40,1	20 000	42,4	41,1	19 500	26,0
28,0	25,3	34,8	18 700	31,7	37,3	18 100	35,8	38,7	17 700	28,0
30,0	12,4	28,9	16 000	22,5	33,4	16 600	27,8	35,5	16 200	30,0
32,0				4,7	25,1	15 200	16,8	30,6	14 900	32,0
34,0										34,0
36,0										36,0
38,0										38,0

MLC165 S-2

ASME B30.5



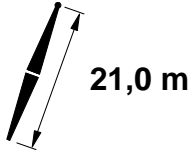
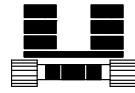
55 110 kg
+
16 010 kg



	75°			70°			65°			
	m	m	kg	m	m	kg	m	m	kg	m
10,4										10,4
12,0										12,0
14,0										14,0
16,0										16,0
18,0										18,0
20,0										20,0
22,0	58,1	45,5	23 300							22,0
24,0	53,1	44,1	20 800							24,0
26,0	47,6	42,5	18 800	52,4	43,3	18 000				26,0
28,0	41,7	40,4	17 000	46,9	41,6	16 400				28,0
30,0	35,0	37,9	15 600	40,8	39,5	15 000	51,5	42,3	15 700	30,0
32,0	26,8	34,6	14 300	34,0	36,9	13 800	45,9	40,5	14 400	32,0
34,0				25,5	33,4	12 700	39,8	38,4	13 200	34,0
36,0				12,8	27,6	11 700	32,7	35,7	12 200	36,0
38,0							23,9	31,9	11 300	38,0
							9,1	25,2	10 400	

MLC165 S-2

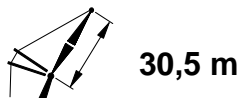
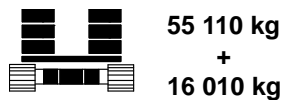
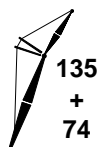
ASME B30.5



m	87°			83°			80°			m
	m	m	kg	m	m	kg	m	m	kg	
11,6	74,0	52,3	37 300 *d							11,6
12,0	73,2	52,2	36 800 *c							12,0
14,0	69,3	51,5	34 500 *c							14,0
16,0	65,2	50,7	32 400 *b	68,2	51,1	34 100 *b				16,0
18,0	61,0	49,7	30 500 *b	64,0	50,3	31 500				18,0
20,0	56,6	48,5	28 600 b	59,8	49,2	27 700	62,1	49,6	27 100	20,0
22,0	51,9	47,0	25 300	55,3	47,9	24 500	57,8	48,4	24 000	22,0
24,0	47,0	45,3	22 600	50,6	46,4	22 000	53,2	47,1	21 500	24,0
26,0	41,6	43,3	20 500	45,6	44,6	19 800	48,3	45,4	19 400	26,0
28,0	35,6	40,7	18 600	40,0	42,4	18 000	43,1	43,5	17 600	28,0
30,0	28,5	37,5	17 000	33,8	39,8	16 500	37,3	41,1	16 100	30,0
32,0	19,1	33,0	15 600	26,2	36,3	15 100	30,5	38,1	14 800	32,0
34,0				15,7	31,1	14 000	22,0	34,1	13 700	34,0
36,0										36,0
38,0										38,0
40,0										40,0

MLC165 S-2

ASME B30.5



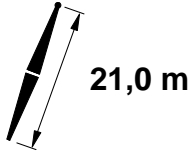
	75°			70°			65°			
m	m	m	kg	m	m	kg	m	m	kg	m
11,6										11,6
12,0										12,0
14,0										14,0
16,0										16,0
18,0										18,0
20,0										20,0
22,0										22,0
24,0	57,3	47,8	20 700							24,0
26,0	52,7	46,4	18 600	56,7	47,0	17 900				26,0
28,0	47,8	44,8	16 900	52,0	45,6	16 200				28,0
30,0	42,5	42,8	15 500	47,1	43,9	14 900				30,0
32,0	36,6	40,4	14 200	41,7	41,9	13 700	46,2	42,8	13 100	32,0
34,0	29,7	37,3	13 100	35,7	39,4	12 600	40,8	40,7	12 100	34,0
36,0	20,9	33,0	12 100	28,6	36,2	11 600	34,6	38,1	11 100	36,0
38,0				19,4	31,7	10 800	27,3	34,8	10 300	38,0
40,0							17,4	29,9	9 600	40,0

MLC165 S-2

ASME B30.5



55 110 kg
+
16 010 kg



m	87°			83°			80°			m
	m	m	kg	m	m	kg	m	m	kg	
12,2	74,4	55,3	34 000 *c							12,2
14,0	71,2	54,8	32 400 *c							14,0
16,0	67,6	54,0	30 700 *b							16,0
18,0	63,8	53,1	29 200 *b	66,6	53,6	30 500 *				18,0
20,0	59,9	52,0	27 600	62,8	52,7	27 700	64,8	53,0	27 100	20,0
22,0	55,9	50,8	25 400	58,9	51,5	24 500	61,0	52,0	23 900	22,0
24,0	51,7	49,3	22 600	54,8	50,2	21 900	57,0	50,8	21 400	24,0
26,0	47,2	47,6	20 500	50,5	48,7	19 800	52,8	49,4	19 400	26,0
28,0	42,3	45,6	18 600	45,9	46,9	18 000	48,4	47,7	17 600	28,0
30,0	36,9	43,2	17 000	40,9	44,8	16 500	43,7	45,8	16 100	30,0
32,0	30,8	40,2	15 600	35,4	42,3	15 100	38,4	43,5	14 800	32,0
34,0	23,3	36,3	14 400	28,9	39,1	14 000	32,6	40,7	13 700	34,0
36,0	12,0	30,0	12 200 *	20,8	34,8	13 000	25,5	37,1	12 600	36,0
38,0				6,1	26,4	11 400	15,8	31,8	11 700	38,0
40,0										40,0
42,0										42,0
44,0										44,0

MLC165 S-2

ASME B30.5



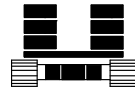
55 110 kg
+
16 010 kg



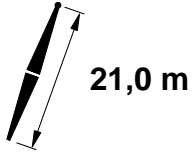
	75°			70°			65°			
	m	m	kg	m	m	kg	m	m	kg	
12,2										12,2
14,0										14,0
16,0										16,0
18,0										18,0
20,0										20,0
22,0										22,0
24,0	60,6	51,4	20 600							24,0
26,0	56,5	50,2	18 600							26,0
28,0	52,3	48,7	16 900	56,0	49,4	16 200				28,0
30,0	47,9	47,1	15 500	51,8	47,9	14 800				30,0
32,0	43,1	45,1	14 200	47,3	46,2	13 600	51,0	46,9	13 100	32,0
34,0	37,8	42,8	13 100	42,4	44,2	12 600	46,5	45,1	12 000	34,0
36,0	31,8	39,9	12 100	37,1	41,8	11 600	41,6	43,1	11 100	36,0
38,0	24,6	36,2	11 300	31,0	38,8	10 800	36,1	40,6	10 300	38,0
40,0				23,5	34,9	10 100	29,8	37,5	9 600	40,0
42,0				12,3	28,8	9 400	22,0	33,4	9 000	42,0
44,0							9,3	26,3	8 400	44,0

MLC165 S-2

ASME B30.5



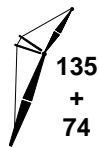
55 110 kg
+
16 010 kg



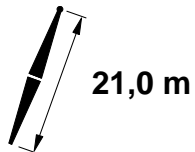
m	87°			83°			80°			m
	m	m	kg	m	m	kg	m	m	kg	
13,7	73,3	58,1	30 200 *c							13,7
14,0	72,8	58,0	30 000 *c							14,0
16,0	69,5	57,3	28 400 *b							16,0
18,0	66,1	56,5	26 900 *b	68,6	56,9	28 100 *				18,0
20,0	62,7	55,5	25 400 *	65,2	56,1	26 600				20,0
22,0	59,1	54,4	24 100 *	61,7	55,1	24 500	67,1	56,3	26 900	22,0
24,0	55,3	53,1	22 500	58,1	53,9	21 800	63,6	55,4	23 800	24,0
26,0	51,4	51,6	20 300	54,3	52,6	19 700	60,1	54,3	21 300	26,0
28,0	47,3	49,9	18 500	50,3	51,0	17 900	56,4	53,1	19 200	28,0
30,0	42,9	47,9	16 900	46,1	49,2	16 400	52,5	51,7	17 500	30,0
32,0	38,1	45,6	15 600	41,6	47,1	15 100	48,5	50,0	16 000	32,0
34,0	32,6	42,8	14 300	36,7	44,7	13 900	44,1	48,1	14 700	34,0
36,0	26,3	39,2	13 300	31,0	41,7	12 900	39,4	45,9	13 600	36,0
38,0	17,9	34,3	12 200	24,3	37,9	12 000	34,2	43,2	12 600	38,0
40,0				14,9	32,3	11 000	28,1	39,9	11 700	40,0
42,0							20,5	35,5	10 900	42,0
44,0										44,0
46,0										46,0


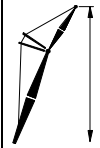


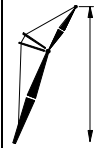


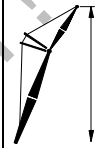

MLC165 S-2

ASME B30.5



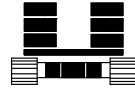
55 110 kg
+
16 010 kg



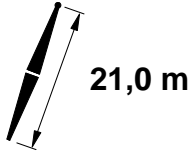
	75°			70°			65°			
	 m	 m	 kg	 m	 m	 kg	 m	 m	 kg	
13,7										13,7
14,0										14,0
16,0										16,0
18,0										18,0
20,0										20,0
22,0										22,0
24,0										24,0
26,0	59,6	53,8	18 500							26,0
28,0	55,9	52,5	16 800							28,0
30,0	52,1	51,0	15 300	55,4	51,7	14 700				30,0
32,0	48,0	49,4	14 100	51,5	50,2	13 500				32,0
34,0	43,6	47,4	13 000	47,4	48,5	12 400	50,9	49,2	11 900	34,0
36,0	38,9	45,1	12 000	43,0	46,5	11 500	46,7	47,5	11 000	36,0
38,0	33,5	42,4	11 200	38,2	44,2	10 700	42,2	45,4	10 200	38,0
40,0	27,4	39,0	10 400	32,8	41,4	9 900	37,3	43,0	9 500	40,0
42,0	19,5	34,4	9 700	26,4	37,9	9 300	31,8	40,1	8 900	42,0
44,0				18,2	33,0	8 700	25,2	36,4	8 300	44,0
46,0							16,4	31,2	7 700	46,0

MLC165 S-2

ASME B30.5



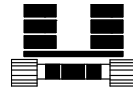
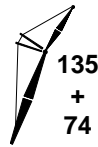
+
16 010 kg



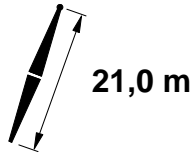
m	87°			83°			80°			m
	m	m	kg	m	m	kg	m	m	kg	
13,7	74,6	61,2	23 500 *c							13,7
14,0	74,2	61,1	23 400 *c							14,0
16,0	71,2	60,5	22 800 *b							16,0
18,0	68,1	59,8	22 200 *b							18,0
20,0	64,9	58,9	21 700 *	67,2	59,4	22 300 *				20,0
22,0	61,7	57,9	20 700 *	64,0	58,5	21 600 *	65,8	58,8	21 900 *	22,0
24,0	58,3	56,8	19 600 *	60,8	57,4	20 500 *	62,6	57,8	21 000 *	24,0
26,0	54,9	55,4	18 500 *	57,4	56,2	19 400 *	59,3	56,7	19 100 *	26,0
28,0	51,3	53,9	17 600 *	53,9	54,9	17 800 *	55,8	55,4	17 400 *	28,0
30,0	47,4	52,2	16 700 *	50,2	53,3	16 300 *	52,2	54,0	15 900 *	30,0
32,0	43,4	50,2	15 500 *	46,4	51,5	15 000 *	48,5	52,3	14 600 *	32,0
34,0	39,0	48,0	14 300 *	42,2	49,5	13 800 *	44,5	50,4	13 500 *	34,0
36,0	34,1	45,3	13 200 *	37,7	47,1	12 800 *	40,2	48,2	12 500 *	36,0
38,0	28,6	42,0	12 300 *	32,7	44,3	11 900 *	35,5	45,7	11 600 *	38,0
40,0	21,8	37,7	11 400 *	26,9	40,8	11 100 *	30,2	42,6	10 800 *	40,0
42,0	11,7	31,1	9 700 *	19,5	36,1	10 300 *	23,8	38,6	10 100 *	42,0
44,0				6,9	27,6	9 100 *	15,1	33,0	9 400 *	44,0
46,0										46,0
48,0										48,0
50,0										50,0

MLC165 S-2

ASME B30.5



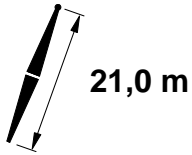
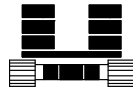
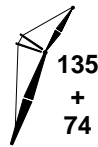
55 110 kg
+
16 010 kg



m	75°			70°			65°			m
	m	m	kg	m	m	kg	m	m	kg	
13,7										13,7
14,0										14,0
16,0										16,0
18,0										18,0
20,0										20,0
22,0										22,0
24,0										24,0
26,0	62,2	57,2	18 300							26,0
28,0	58,9	56,1	16 700							28,0
30,0	55,4	54,8	15 200							30,0
32,0	51,8	53,4	14 000	55,0	54,0	13 400				32,0
34,0	48,1	51,7	12 900	51,3	52,5	12 300				34,0
36,0	44,0	49,7	11 900	47,5	50,8	11 400	50,7	51,5	10 900	36,0
38,0	39,7	47,5	11 100	43,5	48,9	10 600	46,9	49,8	10 100	38,0
40,0	34,9	44,9	10 300	39,1	46,6	9 800	42,8	47,7	9 400	40,0
42,0	29,5	41,7	9 600	34,2	43,9	9 200	38,3	45,4	8 800	42,0
44,0	23,0	37,7	9 000	28,7	40,6	8 600	33,4	42,6	8 200	44,0
46,0				21,9	36,4	8 000	27,7	39,2	7 600	46,0
48,0				12,0	29,8	7 500	20,6	34,8	7 200	48,0
50,0							9,5	27,4	6 700	50,0

MLC165 S-2

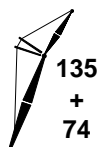
ASME B30.5



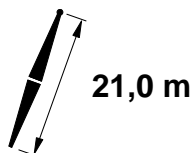
m	87°			83°			80°			m
	m	m	kg	m	m	kg	m	m	kg	
15,2	73,6	64,0	21 600 *b							15,2
16,0	72,5	63,7	21 400 *b							16,0
18,0	69,7	63,0	20 800 *b							18,0
20,0	66,8	62,3	20 000 *	68,9	62,7	20 800 *				20,0
22,0	63,9	61,3	19 000 *	66,0	61,8	19 800 *				22,0
24,0	60,8	60,3	17 900 *	63,0	60,9	18 800 *	64,7	61,2	19 300 *	24,0
26,0	57,7	59,1	16 900 *	60,0	59,8	17 700 *	61,7	60,2	18 300 *	26,0
28,0	54,5	57,8	16 000 *	56,8	58,6	16 800 *	58,6	59,1	17 200 *	28,0
30,0	51,1	56,2	15 100 *	53,6	57,2	15 900 *	55,4	57,8	15 800 *	30,0
32,0	47,6	54,5	14 300 *	50,2	55,6	14 800 *	52,0	56,3	14 500 *	32,0
34,0	43,8	52,6	13 600 *	46,6	53,8	13 700 *	48,5	54,6	13 300 *	34,0
36,0	39,8	50,3	12 800 *	42,7	51,8	12 700 *	44,8	52,7	12 300 *	36,0
38,0	35,4	47,7	12 100 *	38,6	49,5	11 800 *	40,9	50,6	11 500 *	38,0
40,0	30,4	44,6	11 400 *	34,1	46,8	11 000 *	36,6	48,1	10 700 *	40,0
42,0	24,6	40,8	10 600 *	28,9	43,5	10 300 *	31,8	45,1	10 000 *	42,0
44,0	17,0	35,5	9 600 *	22,8	39,4	9 600 *	26,3	41,5	9 300 *	44,0
46,0				14,3	33,4	8 900 *	19,4	36,8	8 700 *	46,0
48,0										48,0
50,0										50,0
52,0										52,0

MLC165 S-2

ASME B30.5



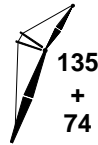
55 110 kg
+
16 010 kg



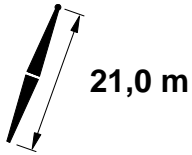
m	75°			70°			65°			m
	m	m	kg	m	m	kg	m	m	kg	
15,2										15,2
16,0										16,0
18,0										18,0
20,0										20,0
22,0										22,0
24,0										24,0
26,0										26,0
28,0	61,3	59,6	16 500							28,0
30,0	58,2	58,5	15 100							30,0
32,0	55,0	57,1	13 800	57,8	57,7	13 200				32,0
34,0	51,6	55,7	12 800	54,5	56,3	12 200				34,0
36,0	48,1	54,0	11 800	51,2	54,8	11 200				36,0
38,0	44,4	52,1	11 000	47,6	53,1	10 400				38,0
40,0	40,4	49,9	10 200	43,9	51,2	9 700	47,0	52,1	9 200	40,0
42,0	36,1	47,3	9 500	39,9	48,9	9 100	43,2	50,1	8 600	42,0
44,0	31,2	44,3	8 900	35,5	46,3	8 400	39,2	47,8	8 000	44,0
46,0	25,6	40,6	8 300	30,5	43,3	7 900	34,7	45,1	7 500	46,0
48,0	18,4	35,7	7 800	24,7	39,4	7 400	29,7	41,9	7 000	48,0
50,0				17,2	34,2	6 900	23,7	38,0	6 600	50,0
52,0							15,7	32,4	6 200	52,0

MLC165 S-2

ASME B30.5



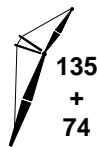
+
16 010 kg



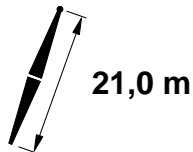
m	87°			83°			80°			m
	m	m	kg	m	m	kg	m	m	kg	
15,2	74,7	67,1	20 200 *b							15,2
16,0	73,7	66,9	20 000 *b							16,0
18,0	71,1	66,3	19 500 *b							18,0
20,0	68,4	65,5	18 500 *	70,4	65,9	19 300 *				20,0
22,0	65,7	64,7	17 500 *	67,7	65,2	18 300 *				22,0
24,0	62,9	63,7	16 500 *	65,0	64,3	17 300 *				24,0
26,0	60,1	62,7	15 600 *	62,2	63,3	16 300 *	63,7	63,6	16 800 *	26,0
28,0	57,2	61,4	14 700 *	59,3	62,2	15 400 *	60,9	62,6	15 900 *	28,0
30,0	54,1	60,1	13 800 *	56,3	60,9	14 500 *	58,0	61,4	15 000 *	30,0
32,0	51,0	58,5	13 100 *	53,3	59,5	13 700 *	54,9	60,1	14 200 *	32,0
34,0	47,7	56,8	12 200 *	50,1	57,9	12 900 *	51,8	58,6	13 300	34,0
36,0	44,2	54,9	11 600 *	46,7	56,1	12 200 *	48,6	56,9	12 300	36,0
38,0	40,4	52,7	10 900 *	43,2	54,1	11 500 *	45,1	55,0	11 400	38,0
40,0	36,4	50,2	10 300 *	39,4	51,9	10 800 *	41,5	52,9	10 700	40,0
42,0	31,9	47,2	9 700 *	35,2	49,2	10 200	37,5	50,5	9 900	42,0
44,0	26,8	43,7	9 200 *	30,6	46,1	9 600	33,2	47,7	9 300	44,0
46,0	20,6	39,1	8 700 *	25,3	42,4	8 900	28,3	44,3	8 700	46,0
48,0	11,5	32,2	7 800 *	18,6	37,4	8 400	22,4	40,1	8 200	48,0
50,0				7,4	28,7	7 300	14,5	34,1	7 700	50,0
52,0										52,0
54,0										54,0
56,0										56,0

MLC165 S-2

ASME B30.5



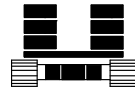
55 110 kg
+
16 010 kg



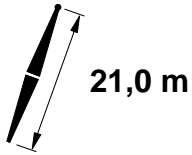
	75°			70°			65°			
	m	m	kg	m	m	kg	m	m	kg	
15,2										15,2
16,0										16,0
18,0										18,0
20,0										20,0
22,0										22,0
24,0										24,0
26,0										26,0
28,0										28,0
30,0	60,5	62,0	15 000							30,0
32,0	57,6	60,8	13 800							32,0
34,0	54,6	59,5	12 700	57,2	60,0	12 100				34,0
36,0	51,5	58,0	11 800	54,2	58,7	11 200				36,0
38,0	48,2	56,3	10 900	51,0	57,1	10 400				38,0
40,0	44,7	54,4	10 200	47,7	55,4	9 700				40,0
42,0	41,0	52,2	9 500	44,2	53,5	9 000	50,5	56,1	9 200	42,0
44,0	37,1	49,8	8 900	40,5	51,3	8 400	47,2	54,4	8 500	44,0
46,0	32,7	46,9	8 300	36,5	48,8	7 900	43,6	52,4	8 000	46,0
48,0	27,7	43,4	7 800	32,0	45,8	7 400	39,9	50,1	7 500	48,0
50,0	21,7	39,1	7 300	27,0	42,3	6 900	35,8	47,6	7 000	50,0
52,0				20,8	37,8	6 500	31,3	44,6	6 500	52,0
54,0				11,8	30,9	6 100	26,0	40,9	6 200	54,0
56,0							19,6	36,1	5 800	56,0
							9,6	28,4	5 400	

MLC165 S-2

ASME B30.5



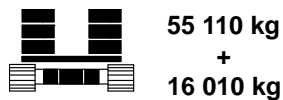
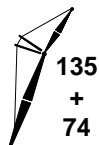
55 110 kg
+
16 010 kg



m	87°			83°			80°			m
	m	m	kg	m	m	kg	m	m	kg	
16,8	73,9	69,9	18 400 *b							16,8
18,0	72,3	69,5	17 900 *b							18,0
20,0	69,9	68,8	17 000 *							20,0
22,0	67,3	68,0	16 000 *	69,2	68,4	16 700 *				22,0
24,0	64,8	67,1	15 000 *	66,6	67,6	15 700 *				24,0
26,0	62,1	66,1	14 100 *	64,0	66,7	14 800 *	65,5	67,0	15 200 *	26,0
28,0	59,4	65,0	13 300 *	61,4	65,7	13 900 *	62,8	66,0	14 400 *	28,0
30,0	56,7	63,8	12 400 *	58,7	64,5	13 100 *	60,2	65,0	13 600 *	30,0
32,0	53,8	62,4	11 700 *	55,9	63,2	12 300 *	57,4	63,7	12 700 *	32,0
34,0	50,8	60,8	10 900 *	53,0	61,8	11 500 *	54,6	62,4	12 000 *	34,0
36,0	47,7	59,1	10 200 *	50,0	60,2	10 800 *	51,7	60,9	11 200 *	36,0
38,0	44,5	57,2	9 600 *	46,9	58,4	10 100 *	48,6	59,2	10 500 *	38,0
40,0	41,0	55,0	9 000 *	43,6	56,5	9 500 *	45,4	57,4	9 900 *	40,0
42,0	37,3	52,6	8 400 *	40,0	54,2	8 900 *	42,0	55,3	9 200 *	42,0
44,0	33,2	49,7	7 900 *	36,2	51,7	8 300 *	38,3	52,9	8 600 *	44,0
46,0	28,7	46,4	7 400 *	32,0	48,7	7 800 *	34,4	50,2	8 100 *	46,0
48,0	23,3	42,3	6 900 *	27,3	45,2	7 300 *	29,9	47,0	7 600 *	48,0
50,0	16,3	36,7	6 500 *	21,6	40,8	6 900 *	24,8	43,1	7 100 *	50,0
52,0				13,9	34,6	6 400 *	18,5	38,1	6 700 *	52,0
54,0										54,0
56,0										56,0
58,0										58,0

MLC165 S-2

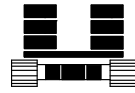
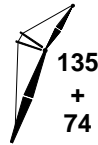
ASME B30.5



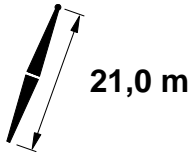
m	75°			70°			65°			m
	m	m	kg	m	m	kg	m	m	kg	
16,8										16,8
18,0										18,0
20,0										20,0
22,0										22,0
24,0										24,0
26,0										26,0
28,0										28,0
30,0										30,0
32,0	59,9	64,4	13 400 *							32,0
34,0	57,1	63,1	12 500							34,0
36,0	54,3	61,8	11 600							36,0
38,0	51,3	60,3	10 800	53,9	61,0	10 200				38,0
40,0	48,2	58,6	10 000	50,9	59,4	9 500				40,0
42,0	45,0	56,7	9 300	47,8	57,7	8 800	50,4	58,4	8 400	42,0
44,0	41,6	54,6	8 700	44,6	55,8	8 300	47,3	56,7	7 800	44,0
46,0	37,9	52,2	8 200	41,1	53,6	7 700	44,0	54,7	7 300	46,0
48,0	33,9	49,4	7 700	37,4	51,2	7 300	40,5	52,5	6 800	48,0
50,0	29,4	46,1	7 200	33,3	48,4	6 800	36,7	50,0	6 400	50,0
52,0	24,2	42,2	6 800	28,8	45,0	6 400	32,6	47,1	6 000	52,0
54,0	17,6	36,9	6 300	23,4	41,0	6 000	27,9	43,7	5 600	54,0
56,0				16,5	35,5	5 600	22,4	39,4	5 300	56,0
58,0							15,1	33,5	5 000	58,0

MLC165 S-2

ASME B30.5



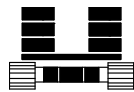
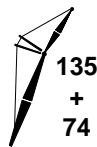
55 110 kg
+
16 010 kg



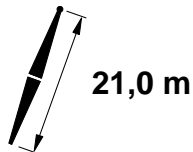
m	87°			83°			80°			m
	m	m	kg	m	m	kg	m	m	kg	
16,8	74,8	73,0	17 100 *b							16,8
18,0	73,4	72,7	16 500 *b							18,0
20,0	71,1	72,0	15 600 *							20,0
22,0	68,7	71,3	14 700 *							22,0
24,0	66,3	70,5	13 800 *	68,1	70,9	14 500 *				24,0
26,0	63,9	69,6	12 900 *	65,7	70,1	13 600 *	67,0	70,3	14 000 *	26,0
28,0	61,4	68,5	12 100 *	63,2	69,1	12 700 *	64,6	69,4	13 200 *	28,0
30,0	58,9	67,4	11 300 *	60,7	68,0	12 000 *	62,1	68,4	12 400 *	30,0
32,0	56,2	66,1	10 600 *	58,2	66,9	11 200 *	59,6	67,3	11 600 *	32,0
34,0	53,5	64,7	9 900 *	55,5	65,6	10 400 *	57,0	66,1	10 800 *	34,0
36,0	50,7	63,1	9 200 *	52,8	64,1	9 700 *	54,3	64,7	10 100 *	36,0
38,0	47,8	61,4	8 600 *	50,0	62,5	9 100 *	51,5	63,2	9 500 *	38,0
40,0	44,8	59,5	8 000 *	47,0	60,7	8 500 *	48,6	61,5	8 900 *	40,0
42,0	41,5	57,4	7 400 *	43,9	58,8	7 900 *	45,6	59,7	8 200 *	42,0
44,0	38,1	55,0	6 900 *	40,6	56,6	7 300 *	42,4	57,6	7 700 *	44,0
46,0	34,3	52,2	6 400 *	37,1	54,1	6 800 *	39,0	55,3	7 100 *	46,0
48,0	30,2	49,1	5 900 *	33,2	51,2	6 300 *	35,4	52,6	6 600 *	48,0
50,0	25,4	45,3	5 400 *	29,0	47,9	5 800 *	31,3	49,6	6 100 *	50,0
52,0	19,7	40,5	4 900 *	24,0	43,9	5 300 *	26,8	46,0	5 600 *	52,0
54,0	11,4	33,2	4 500 *	17,8	38,7	4 800 *	21,4	41,5	5 000 *	54,0
56,0				7,8	29,8	4 400 *	14,1	35,3	4 600 *	56,0
58,0										58,0
60,0										60,0
62,0										62,0

MLC165 S-2

ASME B30.5



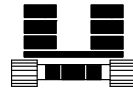
55 110 kg
+
16 010 kg



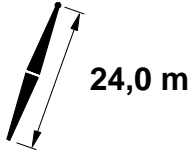
	75°			70°			65°			
	m	m	kg	m	m	kg	m	m	kg	m
16,8										16,8
18,0										18,0
20,0										20,0
22,0										22,0
24,0										24,0
26,0										26,0
28,0										28,0
30,0										30,0
32,0	61,8	67,9	12 200 *							32,0
34,0	59,3	66,7	11 400 *							34,0
36,0	56,7	65,5	10 700 *							36,0
38,0	54,0	64,1	10 100 *							38,0
40,0	51,2	62,6	9 400 *	53,6	63,3	9 400				40,0
42,0	48,3	60,9	8 800 *	50,8	61,7	8 800				42,0
44,0	45,2	59,0	8 200 *	47,9	60,0	8 200	50,3	60,7	7 700	44,0
46,0	42,0	56,9	7 600 *	44,8	58,1	7 600	47,4	59,0	7 200	46,0
48,0	38,6	54,5	7 100 *	41,6	56,0	7 200	44,3	57,0	6 800	48,0
50,0	34,9	51,9	6 600 *	38,1	53,6	6 700	41,0	54,9	6 300	50,0
52,0	30,9	48,8	6 100 *	34,4	50,9	6 300	37,5	52,4	5 900	52,0
54,0	26,2	45,1	5 500 *	30,3	47,7	5 900	33,7	49,6	5 500	54,0
56,0	20,7	40,5	5 000 *	25,5	43,9	5 500	29,5	46,4	5 200	56,0
58,0				19,8	39,1	5 000 *	24,7	42,5	4 900	58,0
60,0				11,6	32,0	4 500 *	18,7	37,4	4 600	60,0
62,0							9,6	29,5	4 300	62,0

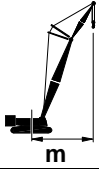

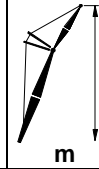
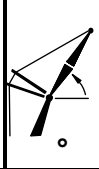
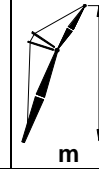



MLC165 S-2

ASME B30.5



55 110 kg
+
16 010 kg

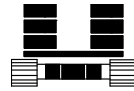
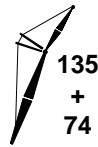


	87°			83°			80°			
	 m	 m	 kg	 m	 kg	 m	 kg	 m		
9,1	74,3	46,6	49 800 *d					9,1		
10,0	71,9	46,3	49 800 *d					10,0		
12,0	66,1	45,5	47 600 *c					12,0		
14,0	60,1	44,5	42 400 *c	65,1	45,2	44 300 b		14,0		
16,0	53,7	43,2	37 500 *b	59,0	44,1	37 000 b	62,8	44,6	36 300 b	16,0
18,0	46,7	41,5	32 900 b	52,5	42,7	31 900	56,6	43,4	31 100 b	18,0
20,0	38,7	39,4	28 800 b	45,4	41,0	27 900	49,9	41,9	27 200	20,0
22,0	29,1	36,4	25 400	37,3	38,7	24 700	42,5	40,0	24 100	22,0
24,0	14,7	31,4	22 500 *	27,2	35,6	22 100	33,8	37,4	21 600	24,0
26,0							22,3	33,7	19 500	26,0
28,0										28,0
30,0										30,0
32,0										32,0

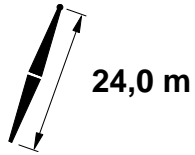
REFERENCE ONLY

MLC165 S-2

ASME B30.5



55 110 kg
+
16 010 kg

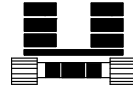


	75°			70°			65°			
	m	m	kg	m	m	kg	m	m	kg	
9,1										9,1
10,0										10,0
12,0										12,0
14,0										14,0
16,0										16,0
18,0										18,0
20,0	56,7	42,9	26 100 b							20,0
22,0	50,0	41,4	23 100							22,0
24,0	42,6	39,5	20 700	49,9	40,7	19 800				24,0
26,0	33,9	37,0	18 700	42,5	38,8	17 900	49,6	39,8	17 100	26,0
28,0	22,5	33,3	16 900	33,8	36,3	16 200	42,1	37,9	15 500	28,0
30,0				22,4	32,5	14 800	33,4	35,3	14 200	30,0
32,0							21,7	31,4	13 000	32,0

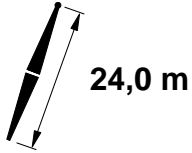
REFERENCE ONLY

MLC165 S-2

ASME B30.5



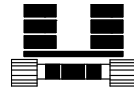
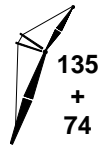
55 110 kg
+
16 010 kg



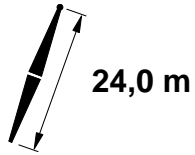
m	87°			83°			80°			m
	m	m	kg	m	m	kg	m	m	kg	
9,8	74,8	49,5	45 400 *d							9,8
10,0	74,2	49,5	45 400 *d							10,0
12,0	69,2	48,8	44 800 *c							12,0
14,0	64,1	47,9	41 200 *c	68,4	48,5	43 900 b				14,0
16,0	58,8	46,9	37 200 *b	63,2	47,6	36 900 b				16,0
18,0	53,1	45,5	32 900 b	57,8	46,5	31 700	61,2	47,0	31 000 b	18,0
20,0	47,0	43,8	28 700 b	52,1	45,1	27 800	55,7	45,7	27 100	20,0
22,0	40,1	41,7	25 400	45,9	43,3	24 600	49,8	44,2	24 000	22,0
24,0	32,2	39,0	22 800	38,9	41,1	22 000	43,3	42,3	21 500	24,0
26,0	21,8	35,1	20 500	30,7	38,2	19 900	35,9	39,9	19 400	26,0
28,0				19,6	34,0	18 100	26,9	36,6	17 600	28,0
30,0							13,2	31,2	16 100	30,0
32,0										32,0
34,0										34,0

MLC165 S-2

ASME B30.5



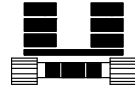
55 110 kg
+
16 010 kg



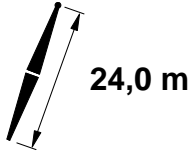
	75°			70°			65°			
	m	m	kg	m	m	kg	m	m	kg	
9,8										9,8
10,0										10,0
12,0										12,0
14,0										14,0
16,0										16,0
18,0										18,0
20,0	61,3	46,5	25 900 b							20,0
22,0	55,8	45,2	22 900							22,0
24,0	49,9	43,7	20 500							24,0
26,0	43,4	41,8	18 600	49,8	43,0	17 700				26,0
28,0	36,1	39,4	16 900	43,3	41,1	16 100	49,5	42,1	15 400	28,0
30,0	27,1	36,2	15 400	36,0	38,7	14 700	43,0	40,2	14 000	30,0
32,0	13,5	30,8	14 100	27,0	35,5	13 500	35,6	37,7	12 900	32,0
34,0							26,5	34,4	11 900	34,0

MLC165 S-2

ASME B30.5



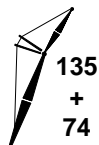
55 110 kg
+
16 010 kg



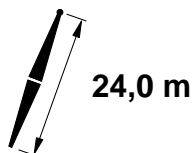
	87°			83°			80°			
	m	m	kg	m	m	kg	m	m	kg	
11,0	73,9	52,4	41 000 *d							11,0
12,0	71,6	52,0	40 300 *c							12,0
14,0	67,2	51,3	37 900 *c							14,0
16,0	62,6	50,4	35 700 *b	66,4	51,0	36 700 b				16,0
18,0	57,7	49,2	32 700 b	61,8	50,0	31 700	64,7	50,4	30 900 b	18,0
20,0	52,7	47,8	28 600 b	56,9	48,8	27 700	59,9	49,3	27 000	20,0
22,0	47,2	46,1	25 400	51,8	47,4	24 500	55,0	48,1	23 900	22,0
24,0	41,2	44,1	22 700	46,2	45,6	22 000	49,7	46,5	21 400	24,0
26,0	34,4	41,5	20 500	40,1	43,5	19 900	44,0	44,6	19 300	26,0
28,0	26,1	38,1	18 700	33,1	40,8	18 100	37,6	42,3	17 600	28,0
30,0	13,8	32,5	16 700	24,4	37,2	16 500	30,1	39,3	16 100	30,0
32,0				10,5	30,8	15 100	20,2	35,1	14 700	32,0
34,0										34,0
36,0										36,0
38,0										38,0

MLC165 S-2

ASME B30.5



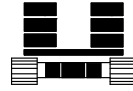
55 110 kg
+
16 010 kg



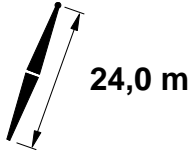
	75°			70°			65°			
	m	m	kg	m	m	kg	m	m	kg	m
11,0										11,0
12,0										12,0
14,0										14,0
16,0										16,0
18,0										18,0
20,0										20,0
22,0	60,0	48,8	22 900							22,0
24,0	55,1	47,6	20 500							24,0
26,0	49,8	46,0	18 500	55,0	46,9	17 600				26,0
28,0	44,1	44,2	16 800	49,7	45,3	16 000				28,0
30,0	37,7	41,8	15 400	44,0	43,5	14 600	49,5	44,4	13 900	30,0
32,0	30,2	38,9	14 100	37,6	41,1	13 500	43,7	42,5	12 800	32,0
34,0	20,4	34,6	13 000	30,1	38,2	12 400	37,3	40,2	11 800	34,0
36,0				20,3	33,9	11 400	29,7	37,1	10 900	36,0
38,0							19,7	32,8	10 100	38,0




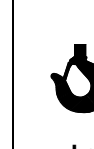

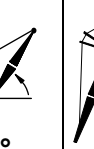
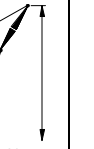



MLC165 S-2

ASME B30.5



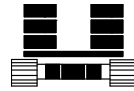
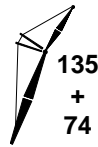
55 110 kg
+
16 010 kg



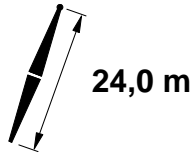
	87°			83°			80°				
	 m	 m	 m	 kg	 m	 kg	 m	 kg	 m		 kg
11,6	74,4	55,4	37 100 *d								11,6
12,0	73,5	55,2	36 600 *c								12,0
14,0	69,6	54,6	34 400 *c								14,0
16,0	65,5	53,7	32 300 *b	68,9	54,2	34 300 *b					16,0
18,0	61,3	52,7	30 500 *b	64,8	53,4	31 500					18,0
20,0	56,9	51,5	28 600 b	60,6	52,4	27 600	63,2	52,8	26 800		20,0
22,0	52,3	50,1	25 300	56,2	51,1	24 400	58,9	51,7	23 800		22,0
24,0	47,4	48,4	22 600	51,5	49,7	21 800	54,4	50,4	21 300		24,0
26,0	42,0	46,4	20 500	46,5	47,9	19 700	49,6	48,8	19 200		26,0
28,0	36,1	43,9	18 600	41,1	45,8	17 900	44,5	47,0	17 500		28,0
30,0	29,1	40,8	17 000	35,0	43,3	16 400	38,8	44,7	16 000		30,0
32,0	20,0	36,4	15 600	27,7	40,0	15 100	32,4	41,9	14 600		32,0
34,0				18,1	35,3	13 900	24,5	38,2	13 500		34,0
36,0							12,7	32,3	12 500		36,0
38,0											38,0
40,0											40,0

MLC165 S-2

ASME B30.5



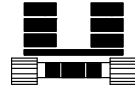
55 110 kg
+
16 010 kg



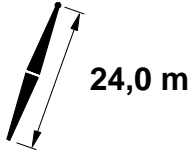
	75°			70°			65°			
	m	m	kg	m	m	kg	m	m	kg	
11,6										11,6
12,0										12,0
14,0										14,0
16,0										16,0
18,0										18,0
20,0										20,0
22,0										22,0
24,0	59,0	51,2	20 300							24,0
26,0	54,5	49,9	18 300							26,0
28,0	49,7	48,3	16 700	54,4	49,2	15 900				28,0
30,0	44,6	46,5	15 200	49,7	47,6	14 500				30,0
32,0	38,9	44,2	14 000	44,5	45,8	13 300	49,4	46,7	12 700	32,0
34,0	32,5	41,5	12 900	38,9	43,5	12 300	44,3	44,8	11 700	34,0
36,0	24,6	37,8	11 900	32,4	40,7	11 400	38,6	42,6	10 800	36,0
38,0	12,9	31,9	11 100	24,5	37,0	10 500	32,1	39,7	10 000	38,0
40,0							24,1	36,0	9 300	40,0

MLC165 S-2

ASME B30.5



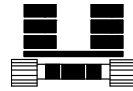
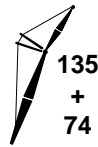
55 110 kg
+
16 010 kg



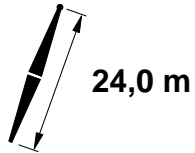
m	87°			83°			80°			m
	m	m	kg	m	m	kg	m	m	kg	
12,2	74,7	58,4	33 700 *c							12,2
14,0	71,5	57,8	32 200 *c							14,0
16,0	67,9	57,1	30 600 *b							16,0
18,0	64,1	56,2	29 100 *b	67,2	56,7	30 500 *				18,0
20,0	60,2	55,1	27 600 b	63,5	55,8	27 500	65,8	56,2	26 800	20,0
22,0	56,2	53,9	25 400	59,6	54,7	24 400	62,0	55,2	23 700	22,0
24,0	52,0	52,4	22 600	55,5	53,5	21 800	58,1	54,0	21 200	24,0
26,0	47,5	50,7	20 400	51,3	52,0	19 700	53,9	52,7	19 200	26,0
28,0	42,7	48,7	18 600	46,7	50,2	17 900	49,6	51,1	17 400	28,0
30,0	37,4	46,4	17 000	41,8	48,2	16 400	44,9	49,3	16 000	30,0
32,0	31,3	43,4	15 600	36,4	45,7	15 100	39,9	47,1	14 600	32,0
34,0	24,0	39,6	14 400	30,2	42,7	13 900	34,2	44,4	13 500	34,0
36,0	13,2	33,7	12 900	22,5	38,6	12 900	27,5	41,1	12 600	36,0
38,0				10,4	31,9	12 000	18,8	36,4	11 700	38,0
40,0										40,0
42,0										42,0
44,0										44,0


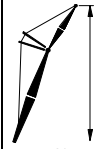
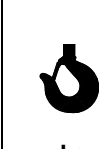

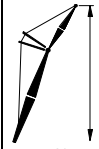


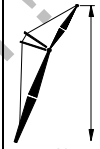

MLC165 S-2

ASME B30.5



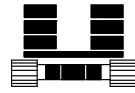
55 110 kg
+
16 010 kg



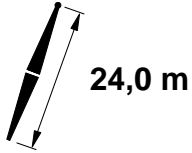
	75°			70°			65°			
										
	m	m	kg	m	m	kg	m	m	kg	m
12,2										12,2
14,0										14,0
16,0										16,0
18,0										18,0
20,0										20,0
22,0										22,0
24,0										24,0
26,0	58,1	53,5	18 300							26,0
28,0	54,0	52,2	16 600							28,0
30,0	49,6	50,6	15 200	53,9	51,5	14 500				30,0
32,0	45,0	48,8	14 000	49,6	49,9	13 300				32,0
34,0	39,9	46,6	12 900	44,9	48,1	12 200	49,4	49,0	11 600	34,0
36,0	34,3	44,0	11 900	39,9	45,9	11 400	44,7	47,1	10 800	36,0
38,0	27,6	40,6	11 100	34,2	43,2	10 600	39,6	44,9	10 000	38,0
40,0	19,0	36,0	10 300	27,5	39,9	9 800	33,9	42,2	9 300	40,0
42,0				18,8	35,2	9 200	27,2	38,9	8 700	42,0
44,0							18,4	34,1	8 100	44,0

MLC165 S-2

ASME B30.5



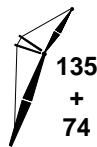
55 110 kg
+
16 010 kg



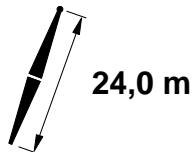
m	87°			83°			80°			m
	m	m	kg	m	m	kg	m	m	kg	
13,7	73,6	61,1	30 000 *c							13,7
14,0	73,1	61,0	29 800 *c							14,0
16,0	69,8	60,3	28 200 *b							16,0
18,0	66,4	59,5	26 800 *b							18,0
20,0	62,9	58,6	25 400 *	65,8	59,2	26 700				20,0
22,0	59,4	57,5	24 200 *	62,3	58,2	24 300	64,5	58,6	23 600	22,0
24,0	55,6	56,2	22 500	58,7	57,1	21 700	61,0	57,6	21 100	24,0
26,0	51,8	54,7	20 300	55,0	55,8	19 600	57,3	56,4	19 000	26,0
28,0	47,6	53,0	18 500	51,1	54,3	17 800	53,5	55,0	17 300	28,0
30,0	43,3	51,1	16 900	46,9	52,5	16 300	49,5	53,4	15 800	30,0
32,0	38,5	48,8	15 600	42,5	50,5	15 000	45,3	51,6	14 600	32,0
34,0	33,1	46,0	14 300	37,6	48,1	13 800	40,7	49,4	13 400	34,0
36,0	26,8	42,5	13 300	32,1	45,3	12 800	35,6	46,9	12 400	36,0
38,0	18,7	37,7	12 300	25,6	41,6	11 900	29,8	43,8	11 600	38,0
40,0				17,0	36,5	11 100	22,7	39,7	10 700	40,0
42,0							12,3	33,4	10 000	42,0
44,0										44,0
46,0										46,0

MLC165 S-2

ASME B30.5



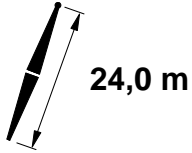
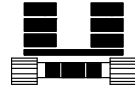
55 110 kg
+
16 010 kg



	75°			70°			65°			
	m	m	kg	m	m	kg	m	m	kg	
13,7										13,7
14,0										14,0
16,0										16,0
18,0										18,0
20,0										20,0
22,0										22,0
24,0										24,0
26,0	61,0	57,1	18 200							26,0
28,0	57,4	55,9	16 500							28,0
30,0	53,6	54,5	15 100							30,0
32,0	49,6	52,9	13 800	53,5	53,8	13 200				32,0
34,0	45,3	51,1	12 800	49,5	52,2	12 100				34,0
36,0	40,7	49,0	11 800	45,3	50,4	11 200	49,4	51,3	10 600	36,0
38,0	35,7	46,4	11 000	40,7	48,2	10 400	45,1	49,4	9 800	38,0
40,0	29,9	43,3	10 200	35,6	45,7	9 700	40,5	47,3	9 200	40,0
42,0	22,8	39,3	9 500	29,8	42,6	9 000	35,4	44,7	8 500	42,0
44,0	12,5	33,0	8 900	22,7	38,5	8 400	29,5	41,6	7 900	44,0
46,0							22,4	37,5	7 500	46,0

MLC165 S-2

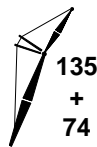
ASME B30.5



m	87°			83°			80°			m
	m	m	kg	m	m	kg	m	m	kg	
13,7	74,8	64,3	23 200 *c							13,7
14,0	74,4	64,2	23 100 *c							14,0
16,0	71,4	63,6	22 500 *b							16,0
18,0	68,3	62,8	21 900 *b							18,0
20,0	65,2	62,0	21 400 *b	67,8	62,5	22 000 *				20,0
22,0	61,9	61,0	20 700 *	64,6	61,6	21 600 *	66,6	62,0	21 800 *	22,0
24,0	58,6	59,8	19 600 *	61,4	60,6	20 600 *	63,4	61,0	20 900	24,0
26,0	55,2	58,5	18 600 *	58,0	59,4	19 500	60,1	59,9	19 000	26,0
28,0	51,5	57,0	17 700 *	54,6	58,1	17 700	56,7	58,7	17 200	28,0
30,0	47,8	55,3	16 700	50,9	56,6	16 200	53,2	57,3	15 700	30,0
32,0	43,7	53,4	15 500	47,1	54,8	14 900	49,5	55,7	14 500	32,0
34,0	39,4	51,1	14 300	43,0	52,8	13 800	45,6	53,9	13 300	34,0
36,0	34,5	48,5	13 200	38,6	50,5	12 700	41,4	51,8	12 300	36,0
38,0	29,0	45,2	12 300	33,7	47,8	11 800	36,8	49,3	11 500	38,0
40,0	22,4	41,1	11 500	28,0	44,4	11 000	31,6	46,4	10 700	40,0
42,0	12,8	34,8	10 300	21,1	40,1	10 300	25,6	42,7	10 000	42,0
44,0				10,4	32,9	9 600	17,7	37,7	9 300	44,0
46,0										46,0
48,0										48,0
50,0										50,0

MLC165 S-2

ASME B30.5



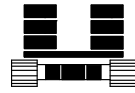
55 110 kg
+
16 010 kg



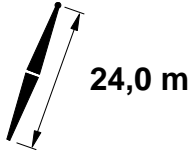
	75°			70°			65°			
	m	m	kg	m	m	kg	m	m	kg	m
13,7										13,7
14,0										14,0
16,0										16,0
18,0										18,0
20,0										20,0
22,0										22,0
24,0										24,0
26,0										26,0
28,0	60,2	59,5	16 400							28,0
30,0	56,8	58,2	15 000							30,0
32,0	53,2	56,8	13 700	56,7	57,5	13 000				32,0
34,0	49,5	55,2	12 700	53,2	56,1	12 000				34,0
36,0	45,6	53,4	11 700	49,5	54,5	11 100				36,0
38,0	41,4	51,3	10 900	45,6	52,7	10 300	49,3	53,6	9 700	38,0
40,0	36,8	48,8	10 100	41,4	50,6	9 600	45,4	51,8	9 000	40,0
42,0	31,7	45,9	9 500	36,8	48,1	8 900	41,2	49,6	8 500	42,0
44,0	25,7	42,3	8 900	31,6	45,2	8 400	36,6	47,1	7 900	44,0
46,0	17,9	37,2	8 300	25,6	41,5	7 800	31,4	44,2	7 400	46,0
48,0				17,8	36,5	7 300	25,3	40,5	6 900	48,0
50,0							17,3	35,4	6 400	50,0

MLC165 S-2

ASME B30.5



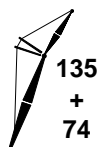
55 110 kg
+
16 010 kg



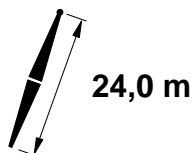
m	87°			83°			80°			m
	m	m	kg	m	m	kg	m	m	kg	
15,2	73,8	67,0	21 300 *c							15,2
16,0	72,8	66,8	21 100 *c							16,0
18,0	69,9	66,1	20 600 *b							18,0
20,0	67,0	65,3	20 000 *	69,5	65,8	20 600 *				20,0
22,0	64,1	64,4	18 900 *	66,6	65,0	19 900 *				22,0
24,0	61,1	63,4	17 900 *	63,6	64,0	18 900 *	65,4	64,4	19 500 *	24,0
26,0	58,0	62,2	17 000 *	60,6	63,0	17 900 *	62,4	63,4	18 400	26,0
28,0	54,7	60,8	16 100 *	57,4	61,8	17 000 *	59,4	62,3	17 100	28,0
30,0	51,4	59,3	15 200 *	54,2	60,4	16 000	56,2	61,1	15 600	30,0
32,0	47,8	57,6	14 400 *	50,8	58,9	14 700	52,9	59,6	14 300	32,0
34,0	44,1	55,7	13 600 *	47,2	57,1	13 600	49,5	58,0	13 200	34,0
36,0	40,1	53,5	12 900 *	43,5	55,2	12 600	45,8	56,2	12 200	36,0
38,0	35,7	50,9	12 200	39,4	52,9	11 700	41,9	54,1	11 300	38,0
40,0	30,8	47,9	11 400	34,9	50,3	10 900	37,8	51,7	10 600	40,0
42,0	25,1	44,1	10 600	29,9	47,1	10 200	33,1	48,9	9 900	42,0
44,0	17,8	39,0	9 900	24,0	43,2	9 500	27,8	45,5	9 200	44,0
46,0				16,2	37,7	8 900	21,4	41,1	8 600	46,0
48,0							12,0	34,5	8 100	48,0
50,0										50,0
52,0										52,0

MLC165 S-2

ASME B30.5



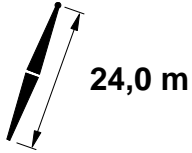
55 110 kg
+
16 010 kg



	75°			70°			65°			
	m	m	kg	m	m	kg	m	m	kg	m
15,2										15,2
16,0										16,0
18,0										18,0
20,0										20,0
22,0										22,0
24,0										24,0
26,0										26,0
28,0										28,0
30,0	59,4	61,8	14 800							30,0
32,0	56,2	60,6	13 600							32,0
34,0	53,0	59,1	12 500	56,2	59,9	11 800				34,0
36,0	49,5	57,5	11 600	52,9	58,4	10 900				36,0
38,0	45,9	55,7	10 700	49,5	56,8	10 100				38,0
40,0	42,0	53,6	10 000	45,8	55,0	9 400	49,3	55,9	8 900	40,0
42,0	37,8	51,2	9 300	42,0	52,9	8 800	45,7	54,1	8 300	42,0
44,0	33,2	48,4	8 700	37,8	50,5	8 200	41,8	52,0	7 700	44,0
46,0	27,9	45,1	8 200	33,1	47,7	7 700	37,6	49,6	7 200	46,0
48,0	21,5	40,7	7 600	27,8	44,3	7 200	32,9	46,7	6 800	48,0
50,0	12,2	34,1	7 100	21,4	40,0	6 700	27,6	43,3	6 300	50,0
52,0							21,1	38,9	5 900	52,0

MLC165 S-2

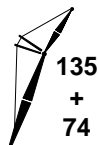
ASME B30.5



m	87°			83°			80°			m
	m	m	kg	m	m	kg	m	m	kg	
15,2	74,9	70,2	19 900 *c							15,2
16,0	73,9	69,9	19 700 *c							16,0
18,0	71,3	69,3	19 200 *b							18,0
20,0	68,7	68,6	18 500 *							20,0
22,0	65,9	67,8	17 500 *	68,2	68,3	18 300 *				22,0
24,0	63,2	66,8	16 500 *	65,5	67,4	17 400 *				24,0
26,0	60,3	65,7	15 600 *	62,7	66,4	16 400 *	64,4	66,8	17 000 *	26,0
28,0	57,4	64,5	14 700 *	59,8	65,3	15 600 *	61,6	65,8	16 100 *	28,0
30,0	54,4	63,2	13 900 *	56,9	64,1	14 700 *	58,7	64,7	15 200 *	30,0
32,0	51,2	61,6	13 100 *	53,8	62,7	13 900 *	55,7	63,4	14 300 *	32,0
34,0	47,9	59,9	12 300 *	50,7	61,2	13 100 *	52,6	61,9	13 200 *	34,0
36,0	44,4	58,0	11 600 *	47,3	59,4	12 300 *	49,4	60,3	12 200 *	36,0
38,0	40,7	55,8	11 000 *	43,8	57,5	11 600 *	46,0	58,5	11 300 *	38,0
40,0	36,7	53,4	10 400 *	40,1	55,3	10 900 *	42,4	56,4	10 500 *	40,0
42,0	32,3	50,4	9 800 *	36,0	52,7	10 200 *	38,6	54,1	9 800 *	42,0
44,0	27,3	47,0	9 300 *	31,5	49,7	9 500 *	34,4	51,4	9 200 *	44,0
46,0	21,1	42,5	8 800 *	26,3	46,1	8 900 *	29,6	48,2	8 600 *	46,0
48,0	12,5	35,9	8 200 *	19,9	41,4	8 400 *	24,1	44,2	8 100 *	48,0
50,0				10,3	34,0	7 800 *	16,9	38,9	7 600 *	50,0
52,0										52,0
54,0										54,0
56,0										56,0

MLC165 S-2

ASME B30.5



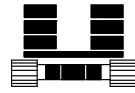
55 110 kg
+
16 010 kg



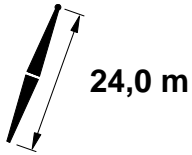
m	75°			70°			65°			m
	m	m	kg	m	m	kg	m	m	kg	
15,2										15,2
16,0										16,0
18,0										18,0
20,0										20,0
22,0										22,0
24,0										24,0
26,0										26,0
28,0										28,0
30,0										30,0
32,0	58,8	64,2	13 500							32,0
34,0	55,8	62,9	12 500							34,0
36,0	52,7	61,4	11 500	55,7	62,2	10 900				36,0
38,0	49,5	59,8	10 700	52,7	60,7	10 100				38,0
40,0	46,1	58,0	9 900	49,4	59,1	9 400				40,0
42,0	42,5	56,0	9 300	46,0	57,3	8 800	49,3	58,2	8 200	42,0
44,0	38,6	53,6	8 700	42,5	55,3	8 200	45,9	56,4	7 700	44,0
46,0	34,4	50,9	8 100	38,6	52,9	7 600	42,3	54,3	7 200	46,0
48,0	29,7	47,7	7 600	34,4	50,2	7 200	38,4	51,9	6 700	48,0
50,0	24,2	43,8	7 100	29,7	47,0	6 700	34,2	49,2	6 300	50,0
52,0	17,1	38,5	6 700	24,1	43,1	6 300	29,4	46,0	5 900	52,0
54,0				17,0	37,7	5 900	23,8	42,0	5 500	54,0
56,0							16,6	36,6	5 200	56,0




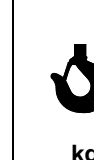

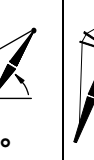




MLC165 S-2

ASME B30.5



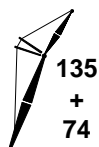
55 110 kg
+
16 010 kg



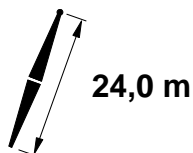
	87°			83°			80°				
	 m	 m	 m	 kg	 m	 kg	 m	 kg	 m		 kg
16,8	74,0	72,9	18 200 *b								16,8
18,0	72,5	72,5	17 800 *b								18,0
20,0	70,0	71,8	16 900 *								20,0
22,0	67,5	71,1	15 900 *	69,6	71,5	16 700 *					22,0
24,0	65,0	70,2	15 000 *	67,1	70,7	15 800 *					24,0
26,0	62,3	69,2	14 200 *	64,5	69,8	14 900 *	66,1	70,2	15 400 *		26,0
28,0	59,7	68,1	13 300 *	61,9	68,8	14 100 *	63,5	69,2	14 600 *		28,0
30,0	56,9	66,9	12 500 *	59,2	67,7	13 200 *	60,9	68,2	13 700 *		30,0
32,0	54,0	65,5	11 700 *	56,4	66,4	12 400 *	58,1	67,0	12 900 *		32,0
34,0	51,1	63,9	11 000 *	53,5	65,0	11 700 *	55,3	65,7	12 200 *		34,0
36,0	48,0	62,2	10 300 *	50,6	63,5	11 000 *	52,4	64,2	11 400 *		36,0
38,0	44,7	60,3	9 600 *	47,5	61,7	10 200 *	49,4	62,6	10 700 *		38,0
40,0	41,3	58,2	9 000 *	44,2	59,8	9 600 *	46,2	60,8	10 000 *		40,0
42,0	37,6	55,8	8 500 *	40,7	57,6	9 000 *	42,9	58,8	9 400 *		42,0
44,0	33,6	53,0	7 900 *	36,9	55,1	8 400 *	39,3	56,5	8 800 *		44,0
46,0	29,0	49,7	7 500 *	32,8	52,3	7 900 *	35,4	53,9	8 300 *		46,0
48,0	23,7	45,6	7 000 *	28,2	48,9	7 400 *	31,1	50,8	7 700 *		48,0
50,0	17,0	40,3	6 600 *	22,7	44,7	7 000 *	26,2	47,2	7 300 *		50,0
52,0				15,6	38,9	6 600 *	20,3	42,5	6 800 *		52,0
54,0							11,8	35,6	6 400 *		54,0
56,0											56,0
58,0											58,0

MLC165 S-2

ASME B30.5



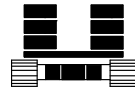
55 110 kg
+
16 010 kg



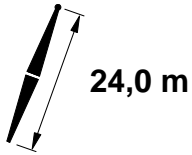
	75°			70°			65°			
	m	m	kg	m	m	kg	m	m	kg	m
16,8										16,8
18,0										18,0
20,0										20,0
22,0										22,0
24,0										24,0
26,0										26,0
28,0										28,0
30,0										30,0
32,0	60,9	67,7	13 400							32,0
34,0	58,2	66,5	12 300							34,0
36,0	55,4	65,2	11 400							36,0
38,0	52,5	63,8	10 600	55,3	64,5	10 000				38,0
40,0	49,4	62,1	9 800	52,4	63,1	9 300				40,0
42,0	46,3	60,3	9 200	49,4	61,4	8 600				42,0
44,0	42,9	58,3	8 500	46,2	59,6	8 000	49,3	60,5	7 500	44,0
46,0	39,4	56,0	8 000	42,9	57,6	7 500	46,1	58,7	7 000	46,0
48,0	35,5	53,4	7 500	39,3	55,3	7 000	42,7	56,6	6 500	48,0
50,0	31,2	50,4	7 000	35,4	52,7	6 600	39,1	54,3	6 100	50,0
52,0	26,3	46,7	6 600	31,2	49,6	6 200	35,3	51,7	5 800	52,0
54,0	20,4	42,1	6 200	26,3	46,0	5 800	31,0	48,6	5 400	54,0
56,0	12,0	35,2	5 800	20,3	41,3	5 400	26,0	44,9	5 100	56,0
58,0							20,0	40,2	4 700	58,0

MLC165 S-2

ASME B30.5



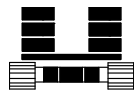
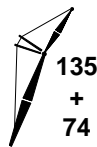
55 110 kg
+
16 010 kg



m	87°			83°			80°			m
	m	m	kg	m	m	kg	m	m	kg	
18,3	73,3	75,6	16 300 *b							18,3
20,0	71,3	75,1	15 600 *							20,0
22,0	68,9	74,4	14 700 *							22,0
24,0	66,5	73,5	13 800 *	68,5	74,0	14 500 *				24,0
26,0	64,1	72,6	13 000 *	66,1	73,2	13 700 *	67,6	73,5	14 100 *	26,0
28,0	61,6	71,6	12 200 *	63,7	72,3	12 900 *	65,2	72,6	13 300 *	28,0
30,0	59,1	70,4	11 400 *	61,2	71,2	12 100 *	62,7	71,6	12 500 *	30,0
32,0	56,4	69,2	10 700 *	58,6	70,1	11 300 *	60,2	70,6	11 700 *	32,0
34,0	53,7	67,8	10 000 *	56,0	68,8	10 600 *	57,6	69,4	11 000 *	34,0
36,0	51,0	66,2	9 300 *	53,3	67,3	9 900 *	55,0	68,0	10 300 *	36,0
38,0	48,0	64,5	8 600 *	50,5	65,8	9 200 *	52,2	66,5	9 600 *	38,0
40,0	45,0	62,6	8 100 *	47,5	64,0	8 600 *	49,4	64,9	9 000 *	40,0
42,0	41,8	60,5	7 500 *	44,5	62,1	8 000 *	46,4	63,1	8 400 *	42,0
44,0	38,3	58,2	7 000 *	41,2	60,0	7 500 *	43,3	61,1	7 800 *	44,0
46,0	34,6	55,4	6 500 *	37,7	57,5	7 000 *	39,9	58,8	7 300 *	46,0
48,0	30,5	52,3	6 000 *	34,0	54,8	6 400 *	36,3	56,3	6 800 *	48,0
50,0	25,8	48,6	5 400 *	29,8	51,5	5 900 *	32,4	53,4	6 300 *	50,0
52,0	20,2	43,9	4 900 *	25,0	47,7	5 400 *	28,0	49,9	5 700 *	52,0
54,0	12,2	37,0	4 500 *	19,1	42,7	4 900 *	22,9	45,7	5 200 *	54,0
56,0				10,3	35,1	4 500 *	16,3	40,1	4 700 *	56,0
58,0										58,0
60,0										60,0
62,0										62,0

MLC165 S-2

ASME B30.5



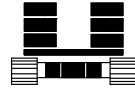
55 110 kg
+
16 010 kg



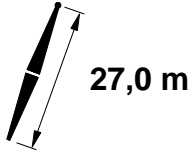
	75°			70°			65°			
m	m	m	kg	m	m	kg	m	m	kg	m
18,3										18,3
20,0										20,0
22,0										22,0
24,0										24,0
26,0										26,0
28,0										28,0
30,0										30,0
32,0	62,8	71,2	12 400 *							32,0
34,0	60,3	70,1	11 700 *							34,0
36,0	57,7	68,9	11 000 *							36,0
38,0	55,0	67,5	10 300 *							38,0
40,0	52,3	66,1	9 600 *	55,0	66,8	9 100				40,0
42,0	49,4	64,4	9 000 *	52,2	65,4	8 500				42,0
44,0	46,4	62,6	8 400 *	49,4	63,7	7 900				44,0
46,0	43,3	60,6	7 900 *	46,4	61,9	7 400	49,3	62,8	6 900	46,0
48,0	40,0	58,4	7 300 *	43,3	59,9	6 900	46,3	61,0	6 500	48,0
50,0	36,4	55,8	6 800 *	39,9	57,7	6 500	43,1	59,0	6 000	50,0
52,0	32,5	52,9	6 300 *	36,4	55,1	6 100	39,8	56,7	5 600	52,0
54,0	28,1	49,5	5 800 *	32,4	52,2	5 700	36,2	54,1	5 300	54,0
56,0	23,0	45,3	5 200 *	28,0	48,8	5 400	32,3	51,2	5 000	56,0
58,0	16,4	39,7	4 700 *	22,9	44,6	5 000	27,8	47,7	4 700	58,0
60,0				16,3	38,9	4 700	22,6	43,5	4 400	60,0
62,0							15,9	37,8	4 100	62,0

MLC165 S-2

ASME B30.5



55 110 kg
+
16 010 kg

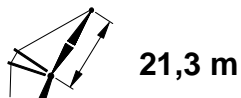
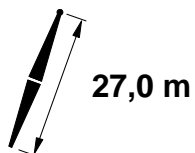
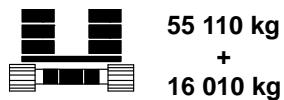
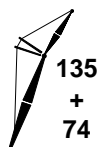


	87°			83°			80°			
	m	m	kg	m	m	kg	m	m	kg	
9,1	74,7	49,6	47 900 *d							9,1
10,0	72,3	49,3	47 900 *d							10,0
12,0	66,6	48,6	47 000 *c							12,0
14,0	60,6	47,6	41 200 *c	66,2	48,3	44 000 c				14,0
16,0	54,2	46,3	35 900 *b	60,2	47,3	36 800 b	64,4	47,8	36 000 c	16,0
18,0	47,3	44,7	32 000 *b	53,8	46,0	31 700	58,3	46,7	30 800 b	18,0
20,0	39,4	42,6	28 800 b	46,8	44,4	27 700	51,7	45,3	26 900	20,0
22,0	30,0	39,7	25 500	38,9	42,2	24 600	44,5	43,5	23 900	22,0
24,0	16,3	35,0	22 700	29,3	39,2	22 000	36,2	41,2	21 400	24,0
26,0							25,8	37,8	19 300	26,0
28,0										28,0
30,0										30,0
32,0										32,0

REFERENCE ONLY

MLC165 S-2

ASME B30.5

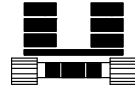


	75°			70°			65°			
	m	m	kg	m	m	kg	m	m	kg	m
9,1										9,1
10,0										10,0
12,0										12,0
14,0										14,0
16,0										16,0
18,0										18,0
20,0	59,2	46,3	25 700 b							20,0
22,0	52,7	45,0	22 800 b							22,0
24,0	45,6	43,2	20 400	53,5	44,4	19 400				24,0
26,0	37,5	41,0	18 400	46,5	42,7	17 500				26,0
28,0	27,5	37,8	16 700	38,5	40,5	15 900	47,0	41,9	15 100	28,0
30,0				28,8	37,5	14 500	39,1	39,7	13 800	30,0
32,0				14,0	32,4	13 300	29,6	36,8	12 600	32,0

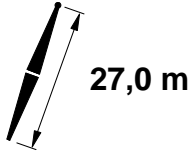
REFERENCE ONLY




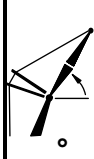
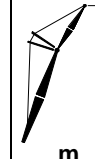



MLC165 S-2

ASME B30.5



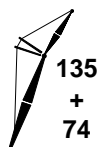
55 110 kg
+
16 010 kg



	87°			83°			80°			
	 m	 m	 kg	 m	 kg	 m	 kg	 m		
10,4	73,7	52,4	43 900 *d						10,4	
12,0	69,6	51,9	43 900 *c						12,0	
14,0	64,5	51,0	40 900 *c	69,3	51,6	43 700 c			14,0	
16,0	59,2	50,0	36 200 *b	64,2	50,8	36 700 b			16,0	
18,0	53,6	48,6	32 000 *b	58,9	49,7	31 500	62,6	50,2	30 700 b	18,0
20,0	47,5	47,0	28 700 b	53,2	48,3	27 600	57,2	49,1	26 800	20,0
22,0	40,7	44,9	25 400	47,1	46,7	24 500	51,4	47,6	23 800	22,0
24,0	32,9	42,2	22 700	40,3	44,6	21 900	45,1	45,8	21 300	24,0
26,0	22,8	38,5	20 500	32,3	41,8	19 800	38,0	43,6	19 200	26,0
28,0				22,0	37,9	18 000	29,5	40,6	17 400	28,0
30,0							17,8	36,0	15 900	30,0
32,0										32,0
34,0										34,0
36,0										36,0

MLC165 S-2

ASME B30.5



55 110 kg
+
16 010 kg

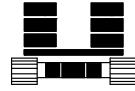


	75°			70°			65°			
	m	m	kg	m	m	kg	m	m	kg	m
10,4										10,4
12,0										12,0
14,0										14,0
16,0										16,0
18,0										18,0
20,0										20,0
22,0	58,0	48,7	22 600 b							22,0
24,0	52,2	47,3	20 200							24,0
26,0	46,0	45,5	18 200	52,9	46,7	17 300				26,0
28,0	39,1	43,4	16 600	46,8	45,0	15 700				28,0
30,0	30,9	40,5	15 200	39,9	42,9	14 400	47,3	44,2	13 600	30,0
32,0	19,9	36,3	13 900	31,9	40,1	13 200	40,5	42,1	12 500	32,0
34,0				21,4	36,1	12 100	32,6	39,4	11 500	34,0
36,0							22,4	35,6	10 600	36,0

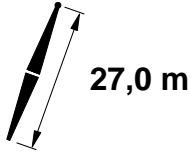
REFERENCE ONLY









MLC165 S-2

ASME B30.5



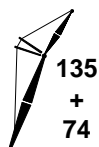
55 110 kg
+
16 010 kg



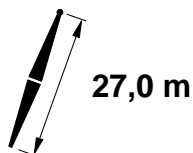
	87°			83°			80°			
	 m	 m	 kg	 m	 kg	 m	 kg	 m		
11,0	74,2	55,4	39 700 *d						11,0	
12,0	72,0	55,1	39 700 *c						12,0	
14,0	67,5	54,4	37 700 *c						14,0	
16,0	62,9	53,4	35 600 *b	67,2	54,1	36 600 b			16,0	
18,0	58,1	52,3	32 400 *b	62,6	53,2	31 500			18,0	
20,0	53,1	50,9	28 600 b	57,8	52,0	27 500	61,2	52,6	26 700	20,0
22,0	47,6	49,3	25 300	52,7	50,6	24 400	56,3	51,4	23 700	22,0
24,0	41,7	47,3	22 700	47,3	49,0	21 800	51,1	49,9	21 200	24,0
26,0	35,0	44,7	20 500	41,3	46,9	19 700	45,5	48,1	19 100	26,0
28,0	26,8	41,4	18 600	34,5	44,3	17 900	39,3	46,0	17 400	28,0
30,0	15,1	36,2	17 000	26,2	40,9	16 400	32,2	43,2	15 900	30,0
32,0				14,1	35,5	15 100	23,2	39,4	14 600	32,0
34,0										34,0
36,0										36,0
38,0										38,0

MLC165 S-2

ASME B30.5



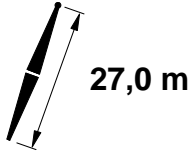
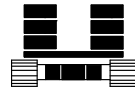
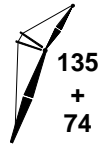
55 110 kg
+
16 010 kg



	75°			70°			65°			
	m	m	kg	m	m	kg	m	m	kg	m
11,0										11,0
12,0										12,0
14,0										14,0
16,0										16,0
18,0										18,0
20,0										20,0
22,0										22,0
24,0	57,0	51,0	20 100							24,0
26,0	51,9	49,6	18 200	57,6	50,4	17 200				26,0
28,0	46,4	47,8	16 500	52,5	49,0	15 600				28,0
30,0	40,3	45,7	15 100	47,0	47,3	14 300				30,0
32,0	33,3	43,1	13 900	41,0	45,2	13 200	47,5	46,5	12 400	32,0
34,0	24,7	39,4	12 800	34,2	42,6	12 100	41,5	44,4	11 400	34,0
36,0				25,8	39,2	11 200	34,7	41,9	10 600	36,0
38,0				13,3	33,5	10 400	26,5	38,5	9 800	38,0

MLC165 S-2

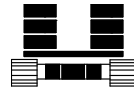
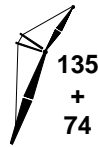
ASME B30.5



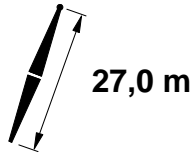
m	87°			83°			80°			m
	m	m	kg	m	m	kg	m	m	kg	
11,6	74,7	58,4	35 900 *d							11,6
12,0	73,8	58,3	35 900 *c							12,0
14,0	69,9	57,6	34 300 *c							14,0
16,0	65,8	56,8	32 300 *b							16,0
18,0	61,6	55,8	30 500 *b	65,6	56,6	31 300				18,0
20,0	57,3	54,7	28 600 b	61,4	55,6	27 400	64,3	56,0	26 600	20,0
22,0	52,7	53,3	25 200	57,0	54,4	24 300	60,1	55,0	23 500	22,0
24,0	47,8	51,6	22 600	52,4	52,9	21 700	55,6	53,7	21 000	24,0
26,0	42,5	49,6	20 400	47,5	51,3	19 600	50,9	52,2	19 000	26,0
28,0	36,6	47,2	18 600	42,1	49,2	17 800	45,9	50,4	17 300	28,0
30,0	29,7	44,1	17 000	36,2	46,8	16 300	40,4	48,3	15 800	30,0
32,0	20,9	39,9	15 600	29,2	43,7	15 000	34,2	45,7	14 500	32,0
34,0				20,2	39,3	13 800	26,8	42,3	13 400	34,0
36,0							16,6	37,2	12 400	36,0
38,0										38,0
40,0										40,0
42,0										42,0

MLC165 S-2

ASME B30.5



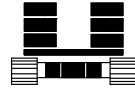
55 110 kg
+
16 010 kg



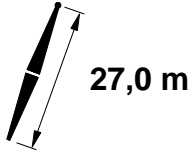
m	75°			70°			65°			m
	m	m	kg	m	m	kg	m	m	kg	
11,6										11,6
12,0										12,0
14,0										14,0
16,0										16,0
18,0										18,0
20,0										20,0
22,0										22,0
24,0										24,0
26,0	56,3	53,3	18 000							26,0
28,0	51,6	51,9	16 400							28,0
30,0	46,6	50,2	15 000	52,2	51,3	14 100				30,0
32,0	41,2	48,1	13 700	47,2	49,6	13 000	52,5	50,5	12 200	32,0
34,0	35,1	45,5	12 700	41,9	47,6	12 000	47,6	48,8	11 300	34,0
36,0	27,9	42,3	11 700	35,9	45,1	11 100	42,3	46,8	10 400	36,0
38,0	18,4	37,6	10 900	28,8	41,9	10 300	36,4	44,3	9 700	38,0
40,0				19,7	37,5	9 500	29,4	41,3	9 000	40,0
42,0							20,5	37,0	8 400	42,0

MLC165 S-2

ASME B30.5



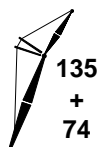
55 110 kg
+
16 010 kg



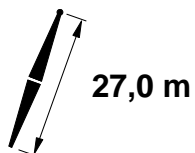
m	87°			83°			80°			m
	m	m	kg	m	m	kg	m	m	kg	
13,7	72,3	61,0	32 100 *c							13,7
14,0	71,8	60,9	31 900 *c							14,0
16,0	68,1	60,1	30 400 *b							16,0
18,0	64,4	59,3	28 900 *b	67,9	59,9	30 500 *				18,0
20,0	60,6	58,2	27 500 b	64,2	59,0	27 400	66,8	59,4	26 600	20,0
22,0	56,5	57,0	25 300	60,3	57,9	24 200	63,0	58,4	23 500	22,0
24,0	52,3	55,6	22 600	56,3	56,7	21 700	59,1	57,3	21 000	24,0
26,0	47,9	53,9	20 400	52,1	55,3	19 600	55,0	56,0	19 000	26,0
28,0	43,1	51,9	18 600	47,6	53,6	17 800	50,7	54,5	17 300	28,0
30,0	37,8	49,6	17 000	42,8	51,6	16 300	46,2	52,8	15 800	30,0
32,0	31,8	46,7	15 600	37,5	49,2	15 000	41,2	50,7	14 500	32,0
34,0	24,6	43,0	14 400	31,4	46,3	13 800	35,7	48,1	13 400	34,0
36,0	14,3	37,3	13 300	24,1	42,5	12 800	29,4	45,0	12 400	36,0
38,0				13,4	36,6	11 900	21,4	40,8	11 500	38,0
40,0										40,0
42,0										42,0
44,0										44,0


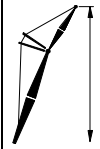


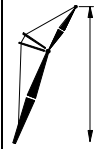


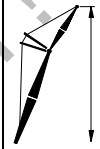

MLC165 S-2

ASME B30.5



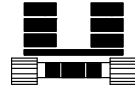
55 110 kg
+
16 010 kg



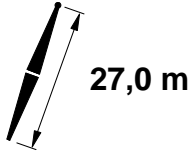
	75°			70°			65°			
										
	m	m	kg	m	m	kg	m	m	kg	m
13,7										13,7
14,0										14,0
16,0										16,0
18,0										18,0
20,0										20,0
22,0										22,0
24,0										24,0
26,0	59,7	56,9	18 000							26,0
28,0	55,6	55,7	16 300							28,0
30,0	51,4	54,2	14 900							30,0
32,0	46,9	52,5	13 700	51,9	53,6	13 000				32,0
34,0	42,0	50,4	12 700	47,4	51,9	12 000				34,0
36,0	36,6	48,0	11 700	42,5	49,9	11 100	47,7	51,1	10 400	36,0
38,0	30,4	44,9	10 900	37,2	47,5	10 300	42,9	49,1	9 600	38,0
40,0	22,7	40,9	10 200	31,1	44,6	9 600	37,6	46,8	9 000	40,0
42,0				23,7	40,7	8 900	31,6	43,9	8 400	42,0
44,0				12,8	34,6	8 300	24,3	40,1	7 800	44,0

MLC165 S-2

ASME B30.5



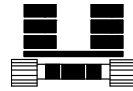
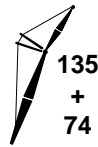
55 110 kg
+
16 010 kg



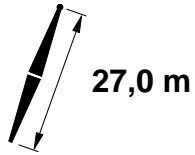
m	87°			83°			80°			m
	m	m	kg	m	m	kg	m	m	kg	
13,7	73,8	64,1	29 700 *c							13,7
14,0	73,3	64,1	29 500 *c							14,0
16,0	70,0	63,4	28 000 *b							16,0
18,0	66,7	62,6	26 600 *b							18,0
20,0	63,2	61,7	25 300 *b	66,5	62,3	26 700				20,0
22,0	59,6	60,6	24 100 *	63,0	61,4	24 200	65,4	61,8	23 400	22,0
24,0	55,9	59,3	22 500	59,4	60,3	21 600	61,9	60,8	20 900	24,0
26,0	52,1	57,9	20 300	55,7	59,0	19 500	58,3	59,7	18 900	26,0
28,0	48,0	56,2	18 500	51,8	57,6	17 700	54,5	58,4	17 100	28,0
30,0	43,6	54,2	16 900	47,7	55,9	16 200	50,6	56,8	15 700	30,0
32,0	38,9	52,0	15 500	43,3	53,9	14 900	46,4	55,1	14 400	32,0
34,0	33,6	49,2	14 300	38,5	51,6	13 700	41,9	53,0	13 300	34,0
36,0	27,4	45,8	13 300	33,2	48,8	12 700	37,0	50,6	12 300	36,0
38,0	19,5	41,2	12 300	26,9	45,4	11 800	31,4	47,6	11 400	38,0
40,0				18,9	40,6	11 000	24,8	43,9	10 600	40,0
42,0							15,7	38,4	9 900	42,0
44,0										44,0
46,0										46,0
48,0										48,0

MLC165 S-2

ASME B30.5



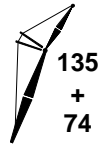
55 110 kg
+
16 010 kg



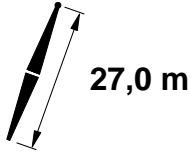
m	75°			70°			65°			m
	m	m	kg	m	m	kg	m	m	kg	
13,7										13,7
14,0										14,0
16,0										16,0
18,0										18,0
20,0										20,0
22,0										22,0
24,0										24,0
26,0	62,4	60,4	17 800							26,0
28,0	58,8	59,3	16 200							28,0
30,0	55,1	58,0	14 800							30,0
32,0	51,2	56,5	13 600	55,5	57,4	12 800				32,0
34,0	47,0	54,8	12 500	51,6	55,9	11 800				34,0
36,0	42,6	52,7	11 600	47,5	54,2	10 900				36,0
38,0	37,7	50,4	10 800	43,1	52,2	10 100	47,8	53,4	9 500	38,0
40,0	32,3	47,5	10 000	38,3	49,9	9 400	43,5	51,4	8 800	40,0
42,0	25,8	43,9	9 300	32,9	47,1	8 800	38,7	49,1	8 200	42,0
44,0	17,3	38,8	8 700	26,6	43,6	8 200	33,4	46,4	7 700	44,0
46,0				18,4	38,8	7 700	27,1	43,0	7 200	46,0
48,0							19,2	38,3	6 700	48,0

MLC165 S-2

ASME B30.5



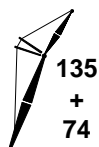
55 110 kg
+
16 010 kg



m	87°			83°			80°			m
	m	m	kg	m	m	kg	m	m	kg	
15,2	72,8	66,9	22 400 *c							15,2
16,0	71,6	66,6	22 200 *c							16,0
18,0	68,6	65,9	21 600 *b							18,0
20,0	65,4	65,1	21 100 *b	68,4	65,6	21 800 *				20,0
22,0	62,2	64,1	20 600 *	65,2	64,8	21 400 *				22,0
24,0	58,9	62,9	19 600 *	62,0	63,8	20 700 *	64,2	64,3	20 600	24,0
26,0	55,4	61,6	18 600 *	58,7	62,7	19 400	61,0	63,2	18 700	26,0
28,0	51,8	60,2	17 700 *	55,2	61,3	17 600	57,6	62,0	17 000	28,0
30,0	48,1	58,5	16 700	51,6	59,9	16 100	54,1	60,7	15 500	30,0
32,0	44,0	56,6	15 400	47,8	58,2	14 800	50,5	59,1	14 300	32,0
34,0	39,7	54,3	14 200	43,8	56,2	13 600	46,6	57,4	13 200	34,0
36,0	34,9	51,7	13 200	39,4	54,0	12 600	42,5	55,3	12 200	36,0
38,0	29,5	48,5	12 300	34,6	51,3	11 700	38,0	53,0	11 300	38,0
40,0	23,0	44,5	11 500	29,1	48,1	10 900	33,0	50,2	10 600	40,0
42,0	13,8	38,5	10 600	22,5	44,0	10 200	27,3	46,7	9 900	42,0
44,0				13,0	37,7	9 500	20,1	42,2	9 200	44,0
46,0										46,0
48,0										48,0
50,0										50,0

MLC165 S-2

ASME B30.5



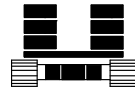
55 110 kg
+
16 010 kg



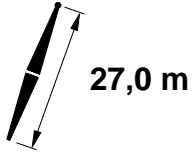
m	75°			70°			65°			m
	m	m	kg	m	m	kg	m	m	kg	
15,2										15,2
16,0										16,0
18,0										18,0
20,0										20,0
22,0										22,0
24,0										24,0
26,0										26,0
28,0	61,5	62,8	16 100							28,0
30,0	58,1	61,6	14 700							30,0
32,0	54,6	60,3	13 500							32,0
34,0	51,0	58,8	12 400	55,0	59,7	11 700				34,0
36,0	47,2	57,1	11 500	51,4	58,2	10 800				36,0
38,0	43,1	55,1	10 700	47,6	56,5	10 000				38,0
40,0	38,7	52,8	9 900	43,6	54,5	9 300	47,9	55,7	8 700	40,0
42,0	33,8	50,0	9 300	39,2	52,3	8 700	43,9	53,8	8 100	42,0
44,0	28,2	46,7	8 700	34,4	49,6	8 100	39,6	51,5	7 600	44,0
46,0	21,3	42,4	8 100	28,9	46,4	7 600	34,8	48,9	7 100	46,0
48,0				22,1	42,2	7 100	29,3	45,7	6 600	48,0
50,0				12,4	35,7	6 600	22,7	41,6	6 200	50,0

MLC165 S-2

ASME B30.5



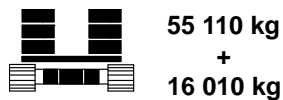
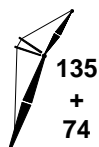
55 110 kg
+
16 010 kg


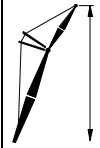


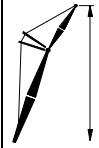


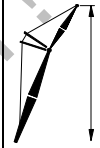



m	87°			83°			80°			m
	m	m	kg	m	m	kg	m	m	kg	
15,2	74,1	70,0	21 000 *c							15,2
16,0	73,0	69,8	20 700 *c							16,0
18,0	70,2	69,2	20 200 *b							18,0
20,0	67,3	68,4	19 800 *b	70,0	68,9	20 300 *				20,0
22,0	64,3	67,5	19 000 *	67,1	68,1	19 900 *				22,0
24,0	61,3	66,5	17 900 *	64,1	67,2	19 000 *	66,2	67,6	19 500 *	24,0
26,0	58,2	65,3	17 000 *	61,1	66,2	18 000 *	63,2	66,7	18 600	26,0
28,0	55,0	64,0	16 100 *	58,0	65,0	17 100 *	60,2	65,6	16 900	28,0
30,0	51,6	62,5	15 200 *	54,8	63,7	16 000	57,0	64,4	15 400	30,0
32,0	48,1	60,8	14 500 *	51,4	62,2	14 600	53,8	63,0	14 100	32,0
34,0	44,4	58,9	13 700 *	47,9	60,5	13 500	50,4	61,4	13 000	34,0
36,0	40,4	56,7	13 000 *	44,2	58,5	12 500	46,8	59,7	12 100	36,0
38,0	36,1	54,2	12 200	40,2	56,3	11 600	43,0	57,7	11 200	38,0
40,0	31,2	51,2	11 300	35,8	53,8	10 800	38,9	55,4	10 400	40,0
42,0	25,6	47,5	10 600	30,9	50,7	10 100	34,4	52,7	9 700	42,0
44,0	18,4	42,5	9 900	25,2	47,0	9 400	29,3	49,4	9 100	44,0
46,0				17,9	41,9	8 800	23,2	45,4	8 500	46,0
48,0							15,0	39,6	8 000	48,0
50,0										50,0
52,0										52,0
54,0										54,0

MLC165 S-2

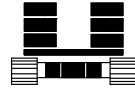
ASME B30.5



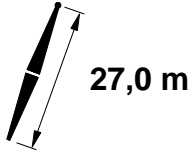
	75°			70°			65°			
										
	m	m	kg	m	m	kg	m	m	kg	m
15,2										15,2
16,0										16,0
18,0										18,0
20,0										20,0
22,0										22,0
24,0										24,0
26,0										26,0
28,0										28,0
30,0	60,6	65,2	14 600							30,0
32,0	57,5	64,0	13 300							32,0
34,0	54,3	62,6	12 300							34,0
36,0	50,9	61,1	11 400	54,6	62,0	10 600				36,0
38,0	47,3	59,4	10 500	51,3	60,5	9 900				38,0
40,0	43,5	57,4	9 800	47,7	58,8	9 200	51,5	59,7	8 500	40,0
42,0	39,5	55,1	9 100	44,0	56,9	8 500	48,0	58,0	8 000	42,0
44,0	35,1	52,5	8 500	40,0	54,6	7 900	44,3	56,1	7 400	44,0
46,0	30,1	49,4	8 000	35,6	52,1	7 500	40,3	53,9	6 900	46,0
48,0	24,2	45,5	7 500	30,7	49,0	7 000	35,9	51,3	6 500	48,0
50,0	16,4	40,1	7 000	24,9	45,2	6 500	31,1	48,3	6 000	50,0
52,0				17,5	40,1	6 100	25,4	44,6	5 700	52,0
54,0							18,2	39,6	5 300	54,0

MLC165 S-2

ASME B30.5



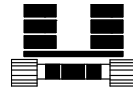
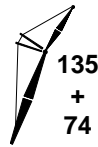
55 110 kg
+
16 010 kg



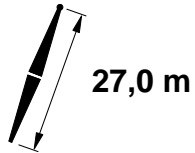
m	87°			83°			80°			m
	m	m	kg	m	m	kg	m	m	kg	
16,8	73,2	72,8	19 200 *b							16,8
18,0	71,5	72,4	19 000 *b							18,0
20,0	68,9	71,7	18 400 *b							20,0
22,0	66,2	70,8	17 400 *	68,7	71,4	18 300 *				22,0
24,0	63,4	69,9	16 500 *	66,0	70,6	17 400 *				24,0
26,0	60,5	68,8	15 600 *	63,2	69,6	16 500 *	65,1	70,0	17 100 *	26,0
28,0	57,6	67,6	14 700 *	60,4	68,5	15 700 *	62,4	69,1	16 300 *	28,0
30,0	54,6	66,3	13 900 *	57,4	67,3	14 800 *	59,5	68,0	15 300 *	30,0
32,0	51,5	64,8	13 200 *	54,4	66,0	14 000 *	56,5	66,7	14 100	32,0
34,0	48,2	63,1	12 400 *	51,3	64,5	13 200 *	53,5	65,3	13 000	34,0
36,0	44,7	61,2	11 700 *	48,0	62,8	12 400	50,3	63,7	12 000	36,0
38,0	41,0	59,0	11 100 *	44,5	60,9	11 600	46,9	62,0	11 200	38,0
40,0	37,1	56,6	10 400 *	40,8	58,7	10 800	43,4	60,0	10 400	40,0
42,0	32,7	53,7	9 900 *	36,8	56,2	10 100	39,6	57,7	9 700	42,0
44,0	27,7	50,3	9 300 *	32,4	53,3	9 400	35,5	55,1	9 100	44,0
46,0	21,7	45,9	8 900 *	27,4	49,8	8 800	30,9	52,1	8 500	46,0
48,0	13,4	39,6	8 400 *	21,3	45,4	8 300	25,6	48,4	8 000	48,0
50,0				12,7	38,8	7 800	19,1	43,5	7 500	50,0
52,0										52,0
54,0										54,0
56,0										56,0

MLC165 S-2

ASME B30.5



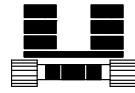
55 110 kg
+
16 010 kg



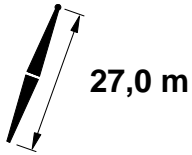
m	75°			70°			65°			m
	m	m	kg	m	m	kg	m	m	kg	
16,8										16,8
18,0										18,0
20,0										20,0
22,0										22,0
24,0										24,0
26,0										26,0
28,0										28,0
30,0										30,0
32,0	59,9	67,5	13 300							32,0
34,0	57,0	66,3	12 200							34,0
36,0	53,9	64,9	11 300							36,0
38,0	50,7	63,4	10 500	54,3	64,3	9 800				38,0
40,0	47,4	61,7	9 800	51,1	62,8	9 100				40,0
42,0	43,9	59,7	9 100	47,8	61,1	8 500	51,4	62,0	7 900	42,0
44,0	40,2	57,5	8 500	44,3	59,2	7 900	48,1	60,3	7 300	44,0
46,0	36,1	54,9	7 900	40,6	57,0	7 400	44,6	58,4	6 900	46,0
48,0	31,6	52,0	7 400	36,6	54,5	6 900	40,9	56,2	6 400	48,0
50,0	26,5	48,4	7 000	32,2	51,6	6 500	36,9	53,7	6 000	50,0
52,0	20,1	43,7	6 600	27,1	48,1	6 100	32,5	50,9	5 600	52,0
54,0				20,9	43,6	5 700	27,5	47,4	5 300	54,0
56,0				12,1	36,8	5 400	21,5	43,0	4 900	56,0

MLC165 S-2

ASME B30.5



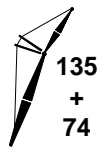
55 110 kg
+
16 010 kg



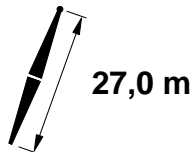
m	87°			83°			80°			m
	m	m	kg	m	m	kg	m	m	kg	
16,8	74,2	75,9	17 900 *b							16,8
18,0	72,7	75,6	17 600 *b							18,0
20,0	70,2	74,9	16 800 *							20,0
22,0	67,7	74,1	15 900 *	70,1	74,7	16 800 *				22,0
24,0	65,2	73,3	15 000 *	67,6	73,9	15 900 *				24,0
26,0	62,5	72,3	14 200 *	65,0	73,0	15 000 *	66,8	73,4	15 500 *	26,0
28,0	59,9	71,2	13 300 *	62,4	72,0	14 200 *	64,2	72,5	14 700 *	28,0
30,0	57,1	70,0	12 500 *	59,7	70,9	13 300 *	61,6	71,5	13 900 *	30,0
32,0	54,3	68,6	11 700 *	56,9	69,7	12 600 *	58,9	70,3	13 100 *	32,0
34,0	51,3	67,1	11 000 *	54,1	68,3	11 800 *	56,1	69,0	12 300 *	34,0
36,0	48,2	65,4	10 400 *	51,1	66,8	11 100 *	53,2	67,6	11 600 *	36,0
38,0	45,0	63,5	9 700 *	48,0	65,1	10 400 *	50,2	66,0	10 900 *	38,0
40,0	41,6	61,4	9 100 *	44,8	63,2	9 800 *	47,1	64,3	10 300 *	40,0
42,0	37,9	59,0	8 500 *	41,4	61,0	9 100 *	43,8	62,3	9 600 *	42,0
44,0	33,9	56,2	8 000 *	37,7	58,6	8 500 *	40,3	60,1	8 900 *	44,0
46,0	29,4	53,0	7 500 *	33,6	55,8	8 000 *	36,5	57,6	8 400 *	46,0
48,0	24,2	49,0	7 100 *	29,1	52,5	7 600 *	32,3	54,6	7 900 *	48,0
50,0	17,6	43,8	6 600 *	23,8	48,5	7 100 *	27,6	51,2	7 400 *	50,0
52,0				17,1	43,2	6 700 *	22,0	46,8	6 900 *	52,0
54,0							14,5	40,8	6 500 *	54,0
56,0										56,0
58,0										58,0
60,0										60,0

MLC165 S-2

ASME B30.5



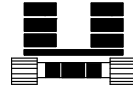
55 110 kg
+
16 010 kg



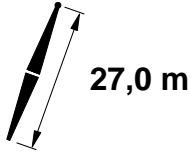
	75°			70°			65°			
m	m	m	kg	m	m	kg	m	m	kg	m
16,8										16,8
18,0										18,0
20,0										20,0
22,0										22,0
24,0										24,0
26,0										26,0
28,0										28,0
30,0										30,0
32,0	61,9	71,0	13 100							32,0
34,0	59,3	69,9	12 100							34,0
36,0	56,5	68,7	11 200							36,0
38,0	53,6	67,3	10 300							38,0
40,0	50,6	65,7	9 600	53,9	66,7	8 900				40,0
42,0	47,5	64,0	8 900	51,0	65,1	8 400				42,0
44,0	44,3	62,0	8 400	47,9	63,4	7 800				44,0
46,0	40,8	59,8	7 800	44,6	61,5	7 300	48,1	62,6	6 700	46,0
48,0	37,0	57,4	7 300	41,2	59,3	6 800	44,9	60,7	6 300	48,0
50,0	32,9	54,5	6 900	37,5	56,9	6 400	41,5	58,6	5 900	50,0
52,0	28,3	51,1	6 400	33,4	54,1	5 900	37,8	56,1	5 500	52,0
54,0	22,9	47,0	6 000	28,9	50,8	5 600	33,8	53,4	5 100	54,0
56,0	15,8	41,3	5 700	23,6	46,7	5 200	29,3	50,1	4 800	56,0
58,0				16,7	41,3	4 900	24,0	46,1	4 500	58,0
60,0							17,4	40,8	4 200	60,0

MLC165 S-2

ASME B30.5



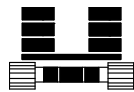
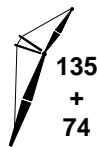
55 110 kg
+
16 010 kg



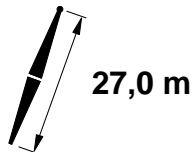
m	87°			83°			80°			m
	m	m	kg	m	m	kg	m	m	kg	
18,3	73,4	78,7	16 200 *b							18,3
20,0	71,5	78,1	15 500 *b							20,0
22,0	69,1	77,4	14 600 *							22,0
24,0	66,7	76,6	13 800 *	69,0	77,2	14 600 *				24,0
26,0	64,3	75,7	13 000 *	66,6	76,3	13 800 *				26,0
28,0	61,8	74,7	12 200 *	64,1	75,4	13 000 *	65,8	75,8	13 400 *	28,0
30,0	59,3	73,6	11 400 *	61,6	74,4	12 200 *	63,4	74,9	12 700 *	30,0
32,0	56,7	72,3	10 700 *	59,1	73,3	11 400 *	60,9	73,8	12 000 *	32,0
34,0	54,0	70,9	10 000 *	56,5	72,0	10 700 *	58,3	72,7	11 200 *	34,0
36,0	51,2	69,4	9 300 *	53,8	70,6	10 000 *	55,7	71,4	10 500 *	36,0
38,0	48,3	67,7	8 700 *	51,0	69,1	9 400 *	53,0	69,9	9 800 *	38,0
40,0	45,2	65,8	8 100 *	48,1	67,4	8 700 *	50,1	68,3	9 200 *	40,0
42,0	42,0	63,7	7 600 *	45,0	65,5	8 200 *	47,2	66,6	8 600 *	42,0
44,0	38,6	61,4	7 000 *	41,8	63,4	7 600 *	44,1	64,6	8 000 *	44,0
46,0	34,9	58,7	6 600 *	38,4	61,0	7 000 *	40,8	62,4	7 400 *	46,0
48,0	30,9	55,6	6 100 *	34,7	58,3	6 600 *	37,3	60,0	6 900 *	48,0
50,0	26,2	51,9	5 500 *	30,6	55,2	6 000 *	33,5	57,2	6 500 *	50,0
52,0	20,7	47,3	5 000 *	25,9	51,4	5 500 *	29,2	53,9	5 900 *	52,0
54,0	13,0	40,7	4 500 *	20,3	46,8	5 000 *	24,3	49,9	5 400 *	54,0
56,0				12,4	39,9	4 500 *	18,2	44,8	4 800 *	56,0
58,0										58,0
60,0										60,0
62,0										62,0
64,0										64,0

MLC165 S-2

ASME B30.5



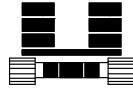
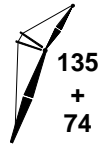
55 110 kg
+
16 010 kg



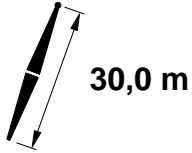
m	75°			70°			65°			m
	m	m	kg	m	m	kg	m	m	kg	
18,3										18,3
20,0										20,0
22,0										22,0
24,0										24,0
26,0										26,0
28,0										28,0
30,0										30,0
32,0										32,0
34,0	61,2	73,4	11 900							34,0
36,0	58,7	72,3	11 100							36,0
38,0	56,1	71,0	10 200							38,0
40,0	53,4	69,6	9 500	56,4	70,4	8 900				40,0
42,0	50,5	68,0	8 900	53,7	69,0	8 200				42,0
44,0	47,6	66,3	8 300	50,9	67,4	7 700				44,0
46,0	44,5	64,3	7 700	48,0	65,7	7 100	51,1	66,6	6 600	46,0
48,0	41,3	62,2	7 200	44,9	63,8	6 700	48,2	64,9	6 100	48,0
50,0	37,8	59,8	6 800	41,7	61,7	6 300	45,1	63,0	5 800	50,0
52,0	34,1	57,0	6 400	38,2	59,3	5 900	41,9	60,9	5 400	52,0
54,0	29,9	53,8	5 900	34,5	56,6	5 500	38,5	58,5	5 100	54,0
56,0	25,1	50,0	5 500*	30,4	53,4	5 100	34,8	55,8	4 700	56,0
58,0	19,2	45,0	4 900*	25,7	49,7	4 800	30,7	52,7	4 400	58,0
60,0				20,0	44,9	4 500	26,1	49,0	4 100	60,0
62,0				11,9	37,9	4 200	20,5	44,4	3 900	62,0
64,0							12,7	37,7	3 600	64,0

MLC165 S-2

ASME B30.5



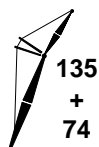
55 110 kg
+
16 010 kg



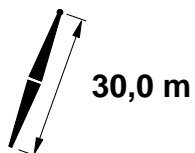
	87°			83°			80°			
	m	m	kg	m	m	kg	m	m	kg	
9,8	73,4	52,5	46 200 *d							9,8
10,0	72,8	52,4	46 200 *d							10,0
12,0	67,0	51,6	46 200 *c							12,0
14,0	61,1	50,7	40 600 *c	67,3	51,5	43 700 c				14,0
16,0	54,7	49,4	35 500 *b	61,3	50,5	36 600 b				16,0
18,0	47,8	47,8	31 700 *b	55,0	49,2	31 500 b	59,9	50,0	30 600 b	18,0
20,0	40,1	45,7	28 700 b	48,1	47,7	27 600	53,5	48,7	26 700 b	20,0
22,0	30,8	42,9	25 400	40,4	45,6	24 400	46,5	47,0	23 600	22,0
24,0	17,7	38,5	22 700	31,2	42,8	21 800	38,5	44,8	21 200	24,0
26,0							28,8	41,8	19 100	26,0
28,0										28,0
30,0										30,0
32,0										32,0
34,0										34,0

MLC165 S-2

ASME B30.5



55 110 kg
+
16 010 kg

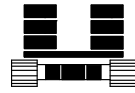


	75°			70°			65°			
	m	m	kg	m	m	kg	m	m	kg	
9,8										9,8
10,0										10,0
12,0										12,0
14,0										14,0
16,0										16,0
18,0										18,0
20,0	61,6	49,6	25 300 b							20,0
22,0	55,3	48,4	22 400 b							22,0
24,0	48,4	46,8	20 000							24,0
26,0	40,8	44,8	18 100	50,1	46,4	17 100				26,0
28,0	31,7	42,1	16 400	42,7	44,5	15 500				28,0
30,0	19,1	37,9	15 000	34,0	42,0	14 200	44,2	43,9	13 300	30,0
32,0				22,7	38,3	13 000	35,9	41,5	12 200	32,0
34,0							25,3	38,1	11 200	34,0

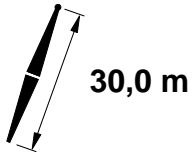
REFERENCE ONLY

MLC165 S-2

ASME B30.5



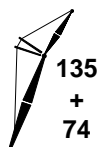
55 110 kg
+
16 010 kg



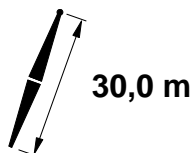
	87°			83°			80°			
	m	m	kg	m	m	kg	m	kg	m	
10,4	74,1	55,5	42 300 *d						10,4	
12,0	70,0	54,9	42 300 *c						12,0	
14,0	64,9	54,1	41 200 *c	70,2	54,7	42 200 c			14,0	
16,0	59,6	53,0	35 600 *b	65,2	53,9	36 700 b			16,0	
18,0	54,0	51,7	31 600 *b	59,9	52,9	31 400 b	64,0	53,4	30 400 b	18,0
20,0	48,0	50,1	28 500 b	54,3	51,6	27 500	58,6	52,3	26 600 b	20,0
22,0	41,3	48,1	25 400	48,2	50,0	24 300	52,9	51,0	23 500	22,0
24,0	33,5	45,5	22 700	41,6	47,9	21 800	46,8	49,3	21 100	24,0
26,0	23,7	41,8	20 500	33,9	45,4	19 700	39,9	47,2	19 000	26,0
28,0				24,2	41,8	17 900	31,9	44,4	17 300	28,0
30,0							21,4	40,4	15 800	30,0
32,0										32,0
34,0										34,0
36,0										36,0
38,0										38,0

MLC165 S-2

ASME B30.5



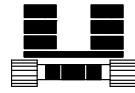
55 110 kg
+
16 010 kg



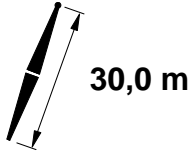
	75°			70°			65°			
	m	m	kg	m	m	kg	m	m	kg	
10,4										10,4
12,0										12,0
14,0										14,0
16,0										16,0
18,0										18,0
20,0										20,0
22,0	60,1	52,0	22 200 b							22,0
24,0	54,5	50,7	19 900							24,0
26,0	48,5	49,1	18 000	55,9	50,2	16 900				26,0
28,0	41,9	47,2	16 300	50,0	48,7	15 300				28,0
30,0	34,2	44,6	14 900	43,5	46,8	14 000				30,0
32,0	24,7	41,1	13 700	36,2	44,4	12 900	44,9	46,2	12 100	32,0
34,0				27,2	41,2	11 800	37,7	43,9	11 100	34,0
36,0				13,8	35,9	10 900	29,2	40,9	10 300	36,0
38,0							17,3	36,2	9 500	38,0




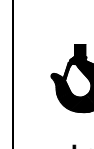

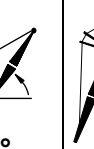
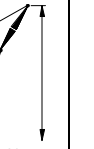


MLC165 S-2

ASME B30.5



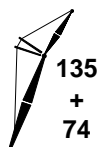
55 110 kg
+
16 010 kg



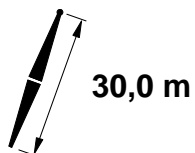
	87°			83°			80°			
	 m	 °	 m	 kg	 °	 m	 kg	 °	 m	
11,0	74,6	58,5	38 400 *d							11,0
12,0	72,3	58,1	38 300 *c							12,0
14,0	67,9	57,4	37 500 *c							14,0
16,0	63,3	56,5	35 300 *c	68,1	57,2	36 500 b				16,0
18,0	58,5	55,4	31 900 *b	63,5	56,3	31 300 b				18,0
20,0	53,5	54,0	28 500 b	58,7	55,2	27 400	62,4	55,8	26 500 b	20,0
22,0	48,1	52,4	25 300	53,7	53,9	24 200	57,6	54,7	23 400	22,0
24,0	42,2	50,4	22 700	48,3	52,3	21 700	52,5	53,3	21 000	24,0
26,0	35,5	47,9	20 500	42,4	50,3	19 600	47,0	51,6	19 000	26,0
28,0	27,5	44,7	18 600	35,8	47,8	17 800	41,0	49,5	17 200	28,0
30,0	16,3	39,7	17 000	27,9	44,6	16 300	34,2	46,9	15 800	30,0
32,0				16,9	39,8	15 000	25,8	43,4	14 500	32,0
34,0										34,0
36,0										36,0
38,0										38,0
40,0										40,0

MLC165 S-2

ASME B30.5



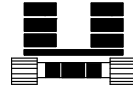
55 110 kg
+
16 010 kg



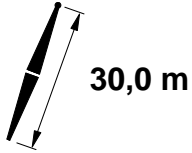
	75°			70°			65°			
	m	m	kg	m	m	kg	m	m	kg	m
11,0										11,0
12,0										12,0
14,0										14,0
16,0										16,0
18,0										18,0
20,0										20,0
22,0										22,0
24,0	58,9	54,4	19 800							24,0
26,0	53,9	53,1	17 800							26,0
28,0	48,6	51,4	16 200	55,1	52,5	15 300				28,0
30,0	42,7	49,5	14 800	49,9	51,0	13 900				30,0
32,0	36,1	47,1	13 600	44,2	49,1	12 800	50,9	50,3	12 000	32,0
34,0	28,3	43,9	12 600	37,8	46,8	11 800	45,3	48,5	11 000	34,0
36,0	17,5	39,2	11 600	30,3	43,9	10 900	39,1	46,3	10 200	36,0
38,0				20,6	39,7	10 100	31,9	43,5	9 400	38,0
40,0							22,8	39,6	8 800	40,0

MLC165 S-2

ASME B30.5



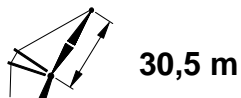
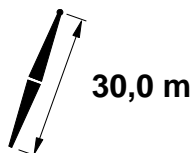
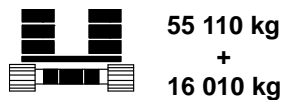
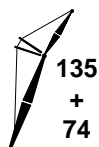
55 110 kg
+
16 010 kg


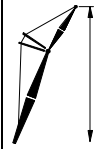


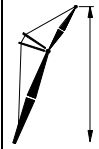


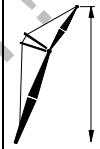



m	87°			83°			80°			m
	m	m	kg	m	m	kg	m	m	kg	
11,6	75,0	61,4	34 800 *d							11,6
12,0	74,1	61,3	34 800 *c							12,0
14,0	70,2	60,7	34 100 *c							14,0
16,0	66,1	59,9	32 100 *c							16,0
18,0	62,0	58,9	30 400 *b	66,3	59,7	31 100 b				18,0
20,0	57,6	57,7	28 500 b	62,1	58,7	27 200	65,4	59,2	26 300 b	20,0
22,0	53,0	56,4	25 200	57,8	57,6	24 100	61,2	58,2	23 300	22,0
24,0	48,2	54,7	22 600	53,2	56,2	21 600	56,8	57,0	20 800	24,0
26,0	42,9	52,8	20 400	48,4	54,6	19 500	52,2	55,6	18 800	26,0
28,0	37,1	50,4	18 600	43,1	52,6	17 700	47,2	53,9	17 100	28,0
30,0	30,3	47,4	17 000	37,3	50,2	16 200	41,9	51,8	15 600	30,0
32,0	21,7	43,3	15 600	30,6	47,3	14 900	35,9	49,4	14 400	32,0
34,0				22,1	43,2	13 700	28,8	46,2	13 300	34,0
36,0							19,7	41,8	12 200	36,0
38,0										38,0
40,0										40,0
42,0										42,0
44,0										44,0

MLC165 S-2

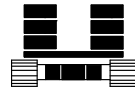
ASME B30.5



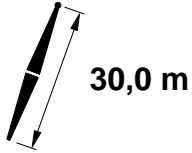
	75°			70°			65°			
										
	m	m	kg	m	m	kg	m	kg	m	
11,6									11,6	
12,0									12,0	
14,0									14,0	
16,0									16,0	
18,0									18,0	
20,0									20,0	
22,0									22,0	
24,0									24,0	
26,0	58,0	56,7	17 700						26,0	
28,0	53,4	55,4	16 100						28,0	
30,0	48,6	53,7	14 700	54,5	54,9	13 800			30,0	
32,0	43,4	51,8	13 500	49,8	53,3	12 600			32,0	
34,0	37,6	49,5	12 500	44,7	51,5	11 600	50,8	52,6	10 900	
36,0	30,9	46,5	11 500	39,0	49,2	10 800	45,7	50,8	10 000	
38,0	22,5	42,6	10 700	32,6	46,5	10 000	40,2	48,6	9 300	
40,0				24,8	42,8	9 300	34,0	46,0	8 600	
42,0				13,2	37,0	8 600	26,5	42,6	8 000	
44,0							16,1	37,4	7 500	




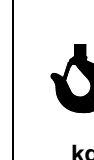

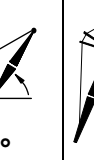




MLC165 S-2

ASME B30.5



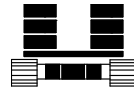
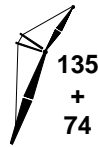
55 110 kg
+
16 010 kg



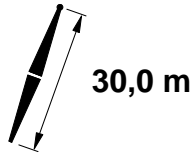
	87°			83°			80°				
	 m	 m	 m	 kg	 m	 kg	 m	 kg	 m		 kg
13,7	72,6	64,0	31 700 *c								13,7
14,0	72,1	63,9	31 500 *c								14,0
16,0	68,4	63,2	30 100 *c								16,0
18,0	64,7	62,3	28 800 *b	68,6	63,0	30 300 *b					18,0
20,0	60,9	61,3	27 400 b	64,9	62,1	27 200					20,0
22,0	56,9	60,1	25 300	61,0	61,1	24 100	64,0	61,6	23 300		22,0
24,0	52,7	58,7	22 500	57,0	59,9	21 600	60,1	60,6	20 800		24,0
26,0	48,2	57,0	20 400	52,9	58,5	19 500	56,1	59,3	18 800		26,0
28,0	43,5	55,1	18 600	48,4	56,9	17 700	51,9	57,9	17 100		28,0
30,0	38,3	52,8	17 000	43,7	54,9	16 200	47,4	56,2	15 600		30,0
32,0	32,3	49,9	15 600	38,5	52,6	14 900	42,6	54,2	14 400		32,0
34,0	25,2	46,3	14 400	32,6	49,8	13 800	37,2	51,8	13 300		34,0
36,0	15,4	40,9	13 300	25,6	46,2	12 700	31,1	48,8	12 300		36,0
38,0				15,9	41,0	11 800	23,7	45,0	11 400		38,0
40,0											40,0
42,0											42,0
44,0											44,0
46,0											46,0


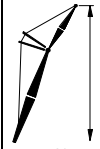


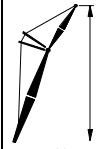


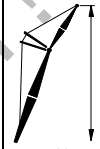

MLC165 S-2

ASME B30.5



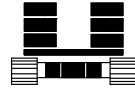
55 110 kg
+
16 010 kg



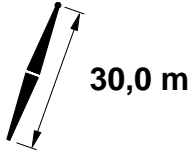
	75°			70°			65°			
	 m	 m	 kg	 m	 m	 kg	 m	 m	 kg	
13,7										13,7
14,0										14,0
16,0										16,0
18,0										18,0
20,0										20,0
22,0										22,0
24,0										24,0
26,0	61,2	60,3	17 700							26,0
28,0	57,2	59,1	16 000							28,0
30,0	53,0	57,7	14 700							30,0
32,0	48,6	56,0	13 500	54,1	57,2	12 600				32,0
34,0	43,9	54,1	12 400	49,7	55,6	11 600				34,0
36,0	38,7	51,9	11 500	45,1	53,8	10 800	50,6	54,9	10 000	36,0
38,0	32,9	49,1	10 700	40,0	51,6	10 000	46,0	53,1	9 300	38,0
40,0	25,9	45,5	9 900	34,4	49,0	9 300	41,1	51,0	8 600	40,0
42,0	16,4	40,4	9 300	27,7	45,6	8 700	35,5	48,5	8 000	42,0
44,0				19,1	41,0	8 100	29,1	45,3	7 500	44,0
46,0							21,1	41,0	7 000	46,0




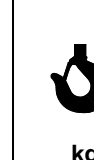

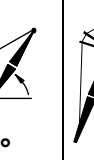




MLC165 S-2

ASME B30.5



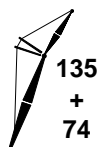
55 110 kg
+
16 010 kg



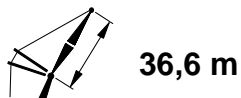
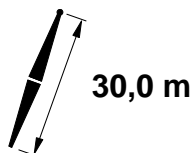
	87°			83°			80°				
	 m	 m	 m	 kg	 m	 kg	 m	 kg	 m		 kg
13,7	74,1	67,2	29 000 *c								13,7
14,0	73,6	67,1	28 900 *c								14,0
16,0	70,3	66,4	27 900 *c								16,0
18,0	66,9	65,7	26 500 *b								18,0
20,0	63,5	64,7	25 200 *b	67,1	65,5	26 700					20,0
22,0	59,9	63,7	24 000 *	63,6	64,5	24 000	66,3	65,0	23 100		22,0
24,0	56,2	62,4	22 400	60,1	63,5	21 400	62,8	64,0	20 700		24,0
26,0	52,4	61,0	20 300	56,4	62,2	19 300	59,3	62,9	18 600		26,0
28,0	48,3	59,3	18 400	52,5	60,8	17 600	55,5	61,7	17 000		28,0
30,0	44,0	57,4	16 800	48,5	59,2	16 100	51,6	60,2	15 500		30,0
32,0	39,2	55,1	15 500	44,1	57,2	14 800	47,5	58,5	14 200		32,0
34,0	34,0	52,5	14 300	39,4	55,0	13 600	43,1	56,5	13 100		34,0
36,0	27,9	49,1	13 200	34,2	52,3	12 600	38,3	54,2	12 100		36,0
38,0	20,2	44,6	12 300	28,2	49,0	11 700	32,9	51,4	11 300		38,0
40,0				20,6	44,6	10 900	26,6	47,9	10 500		40,0
42,0							18,4	43,1	9 800		42,0
44,0											44,0
46,0											46,0
48,0											48,0
50,0											50,0

MLC165 S-2

ASME B30.5



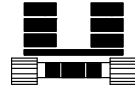
55 110 kg
+
16 010 kg



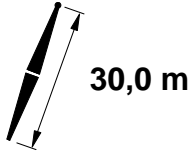
	75°			70°			65°			
	m	m	kg	m	m	kg	m	m	kg	m
13,7										13,7
14,0										14,0
16,0										16,0
18,0										18,0
20,0										20,0
22,0										22,0
24,0										24,0
26,0										26,0
28,0	60,2	62,6	15 900							28,0
30,0	56,6	61,4	14 500							30,0
32,0	52,7	60,0	13 300	57,4	60,9	12 400				32,0
34,0	48,7	58,3	12 300	53,7	59,5	11 400				34,0
36,0	44,3	56,4	11 400	49,7	57,9	10 600				36,0
38,0	39,7	54,2	10 600	45,4	56,1	9 800				38,0
40,0	34,5	51,6	9 800	40,8	53,9	9 100	46,3	55,4	8 500	40,0
42,0	28,5	48,3	9 200	35,8	51,4	8 500	41,8	53,3	7 900	42,0
44,0	21,0	44,0	8 500	30,0	48,3	7 900	36,8	50,9	7 400	44,0
46,0				23,0	44,3	7 400	31,2	47,9	6 900	46,0
48,0				12,7	38,1	6 900	24,5	44,1	6 400	48,0
50,0							15,3	38,6	6 000	50,0

MLC165 S-2

ASME B30.5



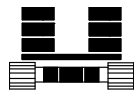
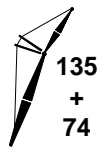
55 110 kg
+
16 010 kg



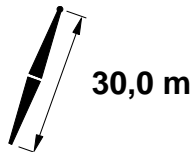
m	87°			83°			80°			m
	m	m	kg	m	m	kg	m	m	kg	
15,2	73,0	69,9	22 000 *c							15,2
16,0	71,9	69,7	21 800 *c							16,0
18,0	68,8	68,9	21 300 *b							18,0
20,0	65,7	68,1	20 800 *b	68,9	68,7	21 500 *				20,0
22,0	62,5	67,1	20 400 *	65,8	67,9	21 100 *				22,0
24,0	59,1	66,0	19 600 *	62,6	66,9	20 700 *	65,1	67,4	20 400	24,0
26,0	55,7	64,7	18 600 *	59,3	65,8	19 200	61,8	66,4	18 600	26,0
28,0	52,1	63,3	17 700 *	55,8	64,6	17 500	58,5	65,3	16 800	28,0
30,0	48,4	61,6	16 700	52,3	63,1	16 000	55,1	64,0	15 400	30,0
32,0	44,4	59,7	15 400	48,5	61,5	14 700	51,4	62,5	14 100	32,0
34,0	40,1	57,5	14 200	44,5	59,6	13 500	47,6	60,8	13 000	34,0
36,0	35,3	54,9	13 200	40,2	57,4	12 600	43,6	58,8	12 100	36,0
38,0	30,0	51,8	12 300	35,5	54,8	11 700	39,2	56,6	11 200	38,0
40,0	23,5	47,8	11 400	30,2	51,7	10 900	34,4	53,9	10 400	40,0
42,0	14,7	42,1	10 700	23,8	47,8	10 100	28,9	50,6	9 700	42,0
44,0				15,2	42,1	9 500	22,2	46,5	9 100	44,0
46,0										46,0
48,0										48,0
50,0										50,0
52,0										52,0

MLC165 S-2

ASME B30.5



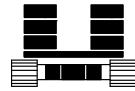
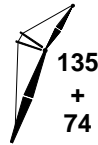
55 110 kg
+
16 010 kg



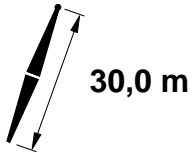
m	75°			70°			65°			m
	m	m	kg	m	m	kg	m	m	kg	
15,2										15,2
16,0										16,0
18,0										18,0
20,0										20,0
22,0										22,0
24,0										24,0
26,0										26,0
28,0										28,0
30,0	59,4	65,0	14 400							30,0
32,0	56,0	63,7	13 200							32,0
34,0	52,4	62,3	12 200	56,8	63,2	11 400				34,0
36,0	48,7	60,6	11 300	53,3	61,8	10 500				36,0
38,0	44,7	58,8	10 500	49,6	60,2	9 700				38,0
40,0	40,4	56,6	9 700	45,7	58,4	9 000				40,0
42,0	35,8	54,0	9 100	41,5	56,3	8 400	50,4	59,5	8 400	42,0
44,0	30,5	51,0	8 500	36,9	53,8	7 800	46,5	57,7	7 700	44,0
46,0	24,2	47,1	7 900	31,8	50,9	7 300	37,9	53,3	6 800	46,0
48,0	15,6	41,6	7 400	25,8	47,3	6 900	32,9	50,5	6 300	48,0
50,0				18,0	42,3	6 500	27,1	47,0	5 900	50,0
52,0							19,8	42,4	5 500	52,0

MLC165 S-2

ASME B30.5



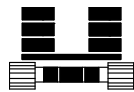
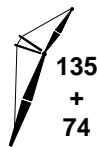
55 110 kg
+
16 010 kg



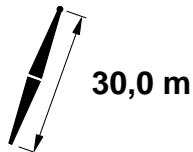
m	87°			83°			80°			m
	m	m	kg	m	m	kg	m	m	kg	
15,2	74,3	73,1	20 600 *c							15,2
16,0	73,2	72,9	20 400 *c							16,0
18,0	70,4	72,2	20 000 *b							18,0
20,0	67,5	71,4	19 500 *b	70,5	72,0	20 000 *				20,0
22,0	64,6	70,5	18 900 *	67,6	71,2	19 700 *				22,0
24,0	61,6	69,5	17 900 *	64,7	70,3	19 000 *				24,0
26,0	58,5	68,4	17 000 *	61,7	69,3	18 100 *	64,0	69,9	18 400	26,0
28,0	55,2	67,1	16 100 *	58,6	68,2	17 200	61,0	68,8	16 700	28,0
30,0	51,9	65,6	15 300 *	55,4	66,9	15 900	57,9	67,6	15 200	30,0
32,0	48,4	63,9	14 500 *	52,0	65,4	14 600	54,6	66,3	14 000	32,0
34,0	44,7	62,0	13 700 *	48,6	63,8	13 400	51,3	64,8	12 900	34,0
36,0	40,8	59,9	13 000	44,9	61,9	12 400	47,7	63,1	11 900	36,0
38,0	36,4	57,4	12 200	40,9	59,7	11 600	44,0	61,1	11 100	38,0
40,0	31,6	54,4	11 300	36,6	57,2	10 700	40,0	58,9	10 300	40,0
42,0	26,1	50,8	10 600	31,9	54,3	10 000	35,6	56,3	9 600	42,0
44,0	19,1	46,0	9 900	26,3	50,7	9 400	30,7	53,3	9 000	44,0
46,0				19,4	46,0	8 800	24,9	49,5	8 400	46,0
48,0							17,5	44,3	7 900	48,0
50,0										50,0
52,0										52,0
54,0										54,0
56,0										56,0

MLC165 S-2

ASME B30.5



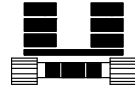
55 110 kg
+
16 010 kg



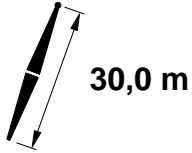
	75°			70°			65°			
	m	m	kg	m	m	kg	m	m	kg	m
15,2										15,2
16,0										16,0
18,0										18,0
20,0										20,0
22,0										22,0
24,0										24,0
26,0										26,0
28,0										28,0
30,0										30,0
32,0	58,7	67,3	13 100							32,0
34,0	55,5	66,1	12 000							34,0
36,0	52,2	64,6	11 100	56,3	65,5	10 300				36,0
38,0	48,7	62,9	10 300	53,0	64,1	9 600				38,0
40,0	45,0	61,1	9 600	49,6	62,5	8 900				40,0
42,0	41,1	58,9	8 900	45,9	60,7	8 300	50,3	61,8	7 600	42,0
44,0	36,8	56,5	8 300	42,1	58,6	7 700	46,7	60,0	7 100	44,0
46,0	32,1	53,5	7 800	37,9	56,2	7 200	42,9	58,0	6 600	46,0
48,0	26,6	50,0	7 300	33,3	53,4	6 700	38,7	55,7	6 100	48,0
50,0	19,8	45,3	6 900	28,0	50,1	6 300	34,2	53,0	5 800	50,0
52,0				21,6	45,7	5 900	29,1	49,7	5 400	52,0
54,0				12,4	39,2	5 500	23,0	45,6	5 000	54,0
56,0							14,7	39,8	4 700	56,0

MLC165 S-2

ASME B30.5



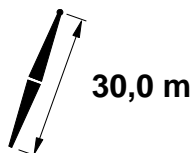
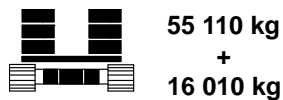
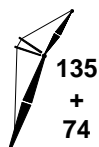
55 110 kg
+
16 010 kg



m	87°			83°			80°			m
	m	m	kg	m	m	kg	m	m	kg	
16,8	73,4	75,8	19 000 *b							16,8
18,0	71,7	75,4	18 700 *b							18,0
20,0	69,1	74,7	18 300 *b							20,0
22,0	66,4	73,9	17 400 *	69,2	74,5	18 200 *				22,0
24,0	63,6	73,0	16 500 *	66,5	73,7	17 500 *				24,0
26,0	60,8	71,9	15 600 *	63,7	72,8	16 600 *	65,9	73,2	17 200 *	26,0
28,0	57,9	70,7	14 800 *	60,9	71,7	15 800 *	63,1	72,3	16 300	28,0
30,0	54,8	69,4	14 000 *	58,0	70,5	14 900 *	60,2	71,2	15 200	30,0
32,0	51,7	67,9	13 200 *	55,0	69,2	14 100 *	57,3	70,0	13 900	32,0
34,0	48,4	66,2	12 500 *	51,8	67,7	13 400	54,3	68,6	12 900	34,0
36,0	45,0	64,3	11 700 *	48,6	66,1	12 400	51,1	67,1	11 900	36,0
38,0	41,3	62,2	11 100 *	45,1	64,2	11 500	47,8	65,4	11 000	38,0
40,0	37,4	59,8	10 500 *	41,5	62,1	10 700	44,3	63,5	10 300	40,0
42,0	33,0	56,9	9 900 *	37,6	59,6	10 000	40,6	61,3	9 600	42,0
44,0	28,1	53,5	9 400 *	33,2	56,8	9 400	36,6	58,8	8 900	44,0
46,0	22,2	49,3	8 900 *	28,3	53,5	8 800	32,2	55,9	8 400	46,0
48,0	14,2	43,2	8 600 *	22,5	49,3	8 200	27,1	52,3	7 900	48,0
50,0				14,6	43,3	7 700	21,0	47,9	7 400	50,0
52,0										52,0
54,0										54,0
56,0										56,0
58,0										58,0

MLC165 S-2

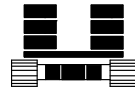
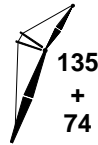
ASME B30.5



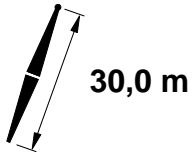
m	75°			70°			65°			m
	m	m	kg	m	m	kg	m	m	kg	
16,8										16,8
18,0										18,0
20,0										20,0
22,0										22,0
24,0										24,0
26,0										26,0
28,0										28,0
30,0										30,0
32,0	61,0	70,9	13 000							32,0
34,0	58,1	69,7	12 000							34,0
36,0	55,1	68,4	11 100							36,0
38,0	52,0	66,9	10 200	55,8	67,9	9 500				38,0
40,0	48,7	65,2	9 500	52,7	66,4	8 800				40,0
42,0	45,3	63,4	8 900	49,5	64,8	8 200				42,0
44,0	41,7	61,3	8 300	46,1	63,0	7 700	50,2	64,1	7 000	44,0
46,0	37,7	58,9	7 800	42,6	61,0	7 100	46,8	62,3	6 600	46,0
48,0	33,4	56,1	7 300	38,7	58,6	6 700	43,3	60,3	6 100	48,0
50,0	28,6	52,7	6 800	34,5	55,9	6 300	39,5	58,1	5 700	50,0
52,0	22,8	48,6	6 400	29,8	52,8	5 900	35,4	55,4	5 400	52,0
54,0	15,0	42,7	6 000	24,3	48,8	5 500	30,8	52,4	5 000	54,0
56,0				17,2	43,5	5 200	25,4	48,6	4 700	56,0
58,0							18,8	43,7	4 400	58,0

MLC165 S-2

ASME B30.5



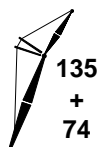
55 110 kg
+
16 010 kg



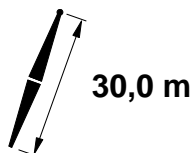
m	87°			83°			80°			m
	m	m	kg	m	m	kg	m	m	kg	
16,8	74,4	79,0	17 600 *b							16,8
18,0	72,9	78,6	17 300 *b							18,0
20,0	70,4	78,0	16 800 *b							20,0
22,0	67,9	77,2	15 900 *							22,0
24,0	65,4	76,3	15 000 *	68,0	77,0	15 900 *				24,0
26,0	62,8	75,4	14 200 *	65,5	76,1	15 100 *	67,5	76,5	15 600 *	26,0
28,0	60,1	74,3	13 400 *	62,9	75,2	14 300 *	64,9	75,7	14 800 *	28,0
30,0	57,3	73,1	12 600 *	60,2	74,1	13 500 *	62,3	74,7	14 100 *	30,0
32,0	54,5	71,7	11 800 *	57,4	72,9	12 700 *	59,6	73,6	13 300 *	32,0
34,0	51,5	70,2	11 100 *	54,6	71,5	11 900 *	56,8	72,3	12 600 *	34,0
36,0	48,5	68,5	10 400 *	51,7	70,0	11 200 *	54,0	70,9	11 700 *	36,0
38,0	45,3	66,6	9 800 *	48,6	68,4	10 500 *	51,0	69,4	10 900 *	38,0
40,0	41,9	64,5	9 200 *	45,4	66,5	9 900 *	47,9	67,7	10 200 *	40,0
42,0	38,2	62,2	8 600 *	42,0	64,4	9 300 *	44,6	65,8	9 500 *	42,0
44,0	34,2	59,4	8 100 *	38,4	62,0	8 700 *	41,2	63,6	8 900 *	44,0
46,0	29,8	56,2	7 600 *	34,4	59,3	8 100 *	37,5	61,2	8 300 *	46,0
48,0	24,6	52,3	7 100 *	30,0	56,1	7 700 *	33,4	58,4	7 700 *	48,0
50,0	18,2	47,2	6 700 *	24,9	52,3	7 200 *	28,9	55,1	7 300 *	50,0
52,0				18,5	47,3	6 800 *	23,6	51,0	6 900 *	52,0
54,0							16,8	45,6	6 400 *	54,0
56,0										56,0
58,0										58,0
60,0										60,0
62,0										62,0

MLC165 S-2

ASME B30.5



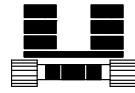
55 110 kg
+
16 010 kg



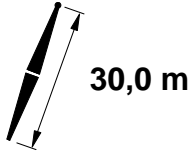
	75°			70°			65°			
m	m	m	kg	m	m	kg	m	m	kg	m
16,8										16,8
18,0										18,0
20,0										20,0
22,0										22,0
24,0										24,0
26,0										26,0
28,0										28,0
30,0										30,0
32,0	63,0	74,3	12 800							32,0
34,0	60,3	73,2	11 800							34,0
36,0	57,6	72,0	10 900							36,0
38,0	54,7	70,7	10 100							38,0
40,0	51,8	69,2	9 400	55,4	70,2	8 700				40,0
42,0	48,7	67,5	8 700	52,5	68,7	8 000				42,0
44,0	45,5	65,7	8 200	49,5	67,1	7 500				44,0
46,0	42,2	63,6	7 600	46,3	65,3	7 000	50,1	66,4	6 400	46,0
48,0	38,5	61,3	7 200	43,0	63,3	6 500	47,0	64,6	6 000	48,0
50,0	34,6	58,6	6 700	39,4	61,0	6 100	43,7	62,6	5 600	50,0
52,0	30,2	55,4	6 300	35,5	58,4	5 700	40,1	60,4	5 200	52,0
54,0	25,1	51,6	5 900	31,3	55,4	5 400	36,3	57,9	4 900	54,0
56,0	18,8	46,6	5 600	26,4	51,7	5 000	32,2	54,9	4 500	56,0
58,0				20,5	47,1	4 700	27,4	51,4	4 200	58,0
60,0				12,1	40,3	4 400	21,8	47,1	4 000	60,0
62,0							14,2	40,9	3 700	62,0

MLC165 S-2

ASME B30.5



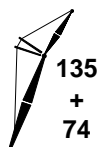
55 110 kg
+
16 010 kg



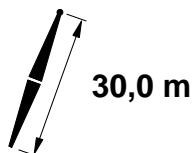
m	87°			83°			80°			m
	m	m	kg	m	m	kg	m	m	kg	
18,3	73,6	81,7	16 100 *b							18,3
20,0	71,6	81,2	15 400 *b							20,0
22,0	69,3	80,5	14 600 *							22,0
24,0	66,9	79,7	13 800 *	69,4	80,3	14 600 *				24,0
26,0	64,5	78,8	13 000 *	67,0	79,5	13 800 *				26,0
28,0	62,0	77,8	12 200 *	64,6	78,6	13 100 *	66,5	79,0	13 600 *	28,0
30,0	59,5	76,6	11 500 *	62,1	77,6	12 300 *	64,0	78,1	12 800 *	30,0
32,0	56,9	75,4	10 700 *	59,6	76,5	11 600 *	61,5	77,1	12 100 *	32,0
34,0	54,2	74,0	10 000 *	57,0	75,2	10 800 *	59,0	75,9	11 400 *	34,0
36,0	51,4	72,5	9 400 *	54,3	73,8	10 200 *	56,4	74,6	10 700 *	36,0
38,0	48,5	70,8	8 800 *	51,5	72,3	9 500 *	53,7	73,2	10 000 *	38,0
40,0	45,5	69,0	8 200 *	48,6	70,7	8 900 *	50,9	71,7	9 400 *	40,0
42,0	42,3	66,9	7 700 *	45,6	68,8	8 300 *	48,0	70,0	8 800 *	42,0
44,0	38,9	64,5	7 100 *	42,4	66,7	7 700 *	44,9	68,1	8 200 *	44,0
46,0	35,2	61,9	6 600 *	39,0	64,4	7 200 *	41,7	66,0	7 600 *	46,0
48,0	31,2	58,8	6 100 *	35,4	61,8	6 700 *	38,2	63,6	7 100 *	48,0
50,0	26,6	55,2	5 600 *	31,4	58,7	6 200 *	34,5	60,9	6 600 *	50,0
52,0	21,1	50,7	5 000 *	26,8	55,1	5 600 *	30,4	57,7	6 000 *	52,0
54,0	13,8	44,3	4 600 *	21,4	50,7	5 100 *	25,7	54,0	5 500 *	54,0
56,0				14,1	44,4	4 600 *	20,0	49,2	5 000 *	56,0
58,0										58,0
60,0										60,0
62,0										62,0
64,0										64,0

MLC165 S-2

ASME B30.5



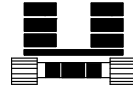
55 110 kg
+
16 010 kg



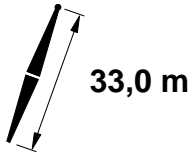
	75°			70°			65°			
m	m	m	kg	m	m	kg	m	m	kg	m
18,3										18,3
20,0										20,0
22,0										22,0
24,0										24,0
26,0										26,0
28,0										28,0
30,0										30,0
32,0										32,0
34,0	62,2	76,7	11 700							34,0
36,0	59,7	75,6	10 800							36,0
38,0	57,1	74,4	10 000							38,0
40,0	54,4	73,0	9 300							40,0
42,0	51,6	71,5	8 600	55,1	72,5	7 900				42,0
44,0	48,8	69,8	8 000	52,3	71,0	7 400				44,0
46,0	45,8	68,0	7 500	49,5	69,4	6 900				46,0
48,0	42,6	65,9	7 000	46,5	67,6	6 400	50,0	68,7	5 800	48,0
50,0	39,2	63,6	6 600	43,4	65,6	6 000	47,1	66,9	5 500	50,0
52,0	35,6	61,0	6 200	40,0	63,4	5 600	44,0	65,0	5 100	52,0
54,0	31,6	58,0	5 800	36,5	60,8	5 300	40,7	62,8	4 700	54,0
56,0	27,0	54,4	5 500	32,5	57,9	4 900	37,2	60,3	4 500	56,0
58,0	21,7	50,0	5 100	28,2	54,5	4 700	33,3	57,5	4 200	58,0
60,0	14,5	43,9	4 700 *	23,1	50,3	4 400	29,1	54,2	3 900	60,0
62,0				16,5	44,8	4 100	24,1	50,2	3 600	62,0
64,0				4,2	33,8	3 800	18,0	45,0	3 400	64,0

MLC165 S-2

ASME B30.5



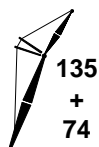
55 110 kg
+
16 010 kg



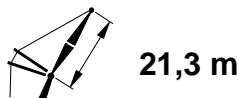
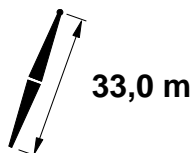
m	87°			83°			80°			m
	m	m	kg	m	m	kg	m	m	kg	
9,8	73,9	55,5	44 400 *d							9,8
10,0	73,2	55,4	44 400 *d							10,0
12,0	67,5	54,7	44 400 *c							12,0
14,0	61,5	53,8	39 900 *c	68,3	54,6	43 400 c				14,0
16,0	55,2	52,5	35 000 *b	62,4	53,7	36 400 b				16,0
18,0	48,4	51,0	31 300 *b	56,2	52,5	31 300 b	61,5	53,2	30 300 b	18,0
20,0	40,7	48,9	28 400 b	49,4	51,0	27 400	55,2	52,0	26 400 b	20,0
22,0	31,6	46,2	25 400	41,9	49,0	24 200	48,4	50,4	23 400	22,0
24,0	19,0	42,0	22 700	33,1	46,4	21 700	40,7	48,4	21 000	24,0
26,0				21,3	42,5	19 600	31,6	45,7	18 900	26,0
28,0							19,0	41,4	17 200	28,0
30,0										30,0
32,0										32,0
34,0										34,0
36,0										36,0

MLC165 S-2

ASME B30.5



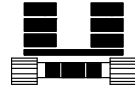
55 110 kg
+
16 010 kg



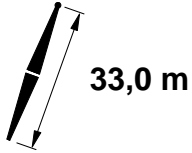
	75°			70°			65°			
m	m	m	kg	m	m	kg	m	m	kg	m
9,8										9,8
10,0										10,0
12,0										12,0
14,0										14,0
16,0										16,0
18,0										18,0
20,0										20,0
22,0	57,8	51,8	22 000 b							22,0
24,0	51,2	50,4	19 700							24,0
26,0	43,9	48,6	17 800	53,6	50,1	16 600 b				26,0
28,0	35,5	46,2	16 200	46,6	48,4	15 100				28,0
30,0	24,8	42,7	14 700	38,7	46,2	13 800	49,0	47,8	12 900	30,0
32,0				29,1	43,2	12 700	41,4	45,8	11 800	32,0
34,0							32,4	43,2	10 900	34,0
36,0							20,3	39,1	10 000	36,0




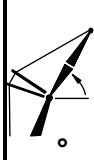
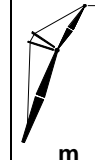



MLC165 S-2

ASME B30.5



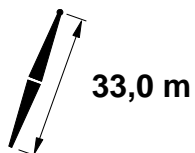
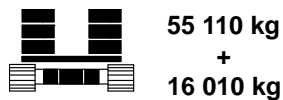
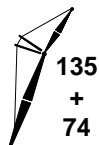
55 110 kg
+
16 010 kg



	87°			83°			80°			
	 m	 m	 kg	 m	 kg	 m	 kg	 m		
10,4	74,5	58,5	40 700 *d						10,4	
12,0	70,4	58,0	40 700 *c						12,0	
14,0	65,4	57,2	40 200 *c						14,0	
16,0	60,1	56,1	35 000 *b	66,1	57,1	36 400 b			16,0	
18,0	54,5	54,9	31 200 *b	60,9	56,1	31 100 b			18,0	
20,0	48,5	53,3	28 200 b	55,3	54,8	27 200	60,1	55,6	26 300 b	20,0
22,0	41,8	51,3	25 300	49,4	53,3	24 100	54,5	54,3	23 300	22,0
24,0	34,2	48,7	22 700	42,8	51,3	21 600	48,4	52,7	20 800	24,0
26,0	24,6	45,2	20 400	35,4	48,9	19 500	41,8	50,7	18 800	26,0
28,0				26,2	45,5	17 700	34,2	48,2	17 100	28,0
30,0				11,7	39,7	16 100	24,6	44,6	15 600	30,0
32,0							7,5	37,7	14 300	32,0
34,0										34,0
36,0										36,0
38,0										38,0

MLC165 S-2

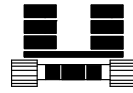
ASME B30.5



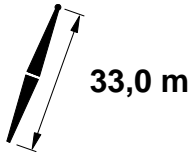
	75°			70°			65°			
	m	m	kg	m	m	kg	m	m	kg	m
10,4										10,4
12,0										12,0
14,0										14,0
16,0										16,0
18,0										18,0
20,0										20,0
22,0										22,0
24,0	56,7	54,2	19 500							24,0
26,0	50,9	52,7	17 600							26,0
28,0	44,6	50,9	16 000	53,1	52,4	14 900				28,0
30,0	37,4	48,6	14 600	46,9	50,7	13 600				30,0
32,0	28,8	45,5	13 400	40,1	48,6	12 500	48,9	50,1	11 700	32,0
34,0				32,1	45,8	11 500	42,4	48,2	10 700	34,0
36,0				21,8	41,9	10 700	34,9	45,7	9 900	36,0
38,0							25,5	42,2	9 200	38,0









MLC165 S-2

ASME B30.5



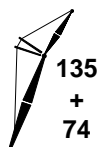
55 110 kg
+
16 010 kg



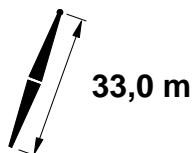
	87°			83°			80°			
	 m	 m	 kg	 m	 kg	 m	 kg	 m		
11,0	74,9	61,5	36 800 *d						11,0	
12,0	72,7	61,2	36 700 *c						12,0	
14,0	68,2	60,5	36 300 *c						14,0	
16,0	63,7	59,6	34 300 *c	68,9	60,4	35 600 b			16,0	
18,0	58,9	58,5	31 400 *b	64,3	59,5	31 200 b			18,0	
20,0	53,9	57,2	28 200 b	59,6	58,4	27 200	63,7	59,1	26 200 b	20,0
22,0	48,5	55,6	25 300	54,6	57,1	24 100	58,9	58,0	23 200	22,0
24,0	42,7	53,6	22 600	49,3	55,6	21 500	53,9	56,6	20 700	24,0
26,0	36,1	51,2	20 500	43,6	53,7	19 500	48,5	55,0	18 700	26,0
28,0	28,2	48,0	18 600	37,1	51,3	17 700	42,7	53,1	17 000	28,0
30,0	17,5	43,2	17 000	29,5	48,3	16 200	36,1	50,6	15 600	30,0
32,0				19,4	43,9	14 900	28,2	47,4	14 300	32,0
34,0							17,4	42,7	13 200	34,0
36,0										36,0
38,0										38,0
40,0										40,0
42,0										42,0

MLC165 S-2

ASME B30.5



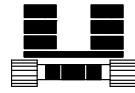
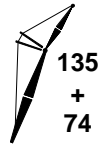
55 110 kg
+
16 010 kg



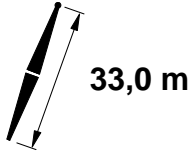
	75°			70°			65°			
	m	m	kg	m	m	kg	m	m	kg	m
11,0										11,0
12,0										12,0
14,0										14,0
16,0										16,0
18,0										18,0
20,0										20,0
22,0										22,0
24,0										24,0
26,0	55,9	56,5	17 500							26,0
28,0	50,7	55,0	15 900							28,0
30,0	45,1	53,2	14 500	52,6	54,7	13 600				30,0
32,0	38,8	51,0	13 400	47,2	53,0	12 400				32,0
34,0	31,6	48,2	12 300	41,2	50,9	11 500	49,0	52,4	10 600	34,0
36,0	22,3	44,2	11 400	34,4	48,4	10 600	43,2	50,5	9 800	36,0
38,0				26,0	44,9	9 800	36,7	48,1	9 100	38,0
40,0							28,9	45,0	8 500	40,0
42,0							18,5	40,4	7 900	42,0




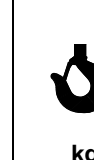

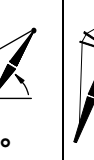




MLC165 S-2

ASME B30.5



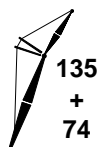
55 110 kg
+
16 010 kg



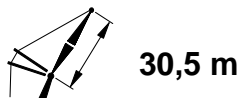
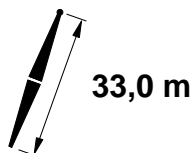
	87°			83°			80°				
	 m	 m	 m	 kg	 m	 kg	 m	 kg	 m		 kg
12,2	74,1	64,3	33 600 *d								12,2
14,0	70,5	63,7	33 400 *c								14,0
16,0	66,5	63,0	32 000 *c								16,0
18,0	62,3	62,0	30 300 *b	67,1	62,8	30 900 b					18,0
20,0	58,0	60,9	28 300 b	62,9	61,9	27 000	66,5	62,4	26 000 b		20,0
22,0	53,4	59,5	25 100	58,6	60,8	23 900	62,3	61,5	23 000		22,0
24,0	48,6	57,9	22 500	54,1	59,5	21 400	58,0	60,3	20 600		24,0
26,0	43,3	55,9	20 300	49,3	57,9	19 300	53,4	58,9	18 600		26,0
28,0	37,5	53,6	18 500	44,1	56,0	17 600	48,6	57,3	16 900		28,0
30,0	30,8	50,6	16 900	38,4	53,7	16 100	43,3	55,4	15 500		30,0
32,0	22,5	46,7	15 600	31,9	50,9	14 800	37,5	53,0	14 200		32,0
34,0				23,9	47,1	13 600	30,8	50,1	13 100		34,0
36,0				11,4	40,8	12 600	22,4	46,1	12 100		36,0
38,0							8,1	38,8	11 200		38,0
40,0											40,0
42,0											42,0
44,0											44,0

MLC165 S-2

ASME B30.5



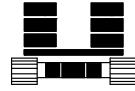
55 110 kg
+
16 010 kg



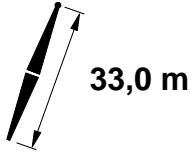
m	75°			70°			65°			m
	m	m	kg	m	m	kg	m	m	kg	
12,2										12,2
14,0										14,0
16,0										16,0
18,0										18,0
20,0										20,0
22,0										22,0
24,0										24,0
26,0	59,7	60,1	17 300							26,0
28,0	55,2	58,8	15 800							28,0
30,0	50,5	57,3	14 400							30,0
32,0	45,5	55,5	13 200	52,3	57,0	12 200				32,0
34,0	39,9	53,4	12 200	47,4	55,3	11 300				34,0
36,0	33,6	50,7	11 300	42,0	53,3	10 400	49,0	54,7	9 700	36,0
38,0	26,1	47,2	10 500	36,0	50,8	9 700	43,8	52,8	8 900	38,0
40,0				29,0	47,7	9 000	38,0	50,5	8 300	40,0
42,0				20,0	43,3	8 400	31,4	47,6	7 700	42,0
44,0							23,2	43,7	7 200	44,0

MLC165 S-2

ASME B30.5



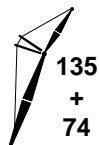
55 110 kg
+
16 010 kg



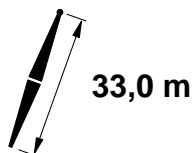
m	87°			83°			80°			m
	m	m	kg	m	m	kg	m	m	kg	
13,7	72,9	67,0	30 800 *c							13,7
14,0	72,3	67,0	30 700 *c							14,0
16,0	68,7	66,3	29 900 *c							16,0
18,0	65,0	65,4	28 500 *b							18,0
20,0	61,2	64,4	27 300 b	65,6	65,3	27 000				20,0
22,0	57,2	63,2	25 300	61,7	64,3	23 900	65,0	64,9	23 000	22,0
24,0	53,0	61,8	22 500	57,8	63,1	21 400	61,2	63,8	20 600	24,0
26,0	48,6	60,2	20 300	53,6	61,8	19 300	57,2	62,7	18 600	26,0
28,0	43,9	58,3	18 500	49,3	60,2	17 600	53,0	61,3	16 900	28,0
30,0	38,7	56,0	16 900	44,6	58,3	16 100	48,6	59,6	15 400	30,0
32,0	32,8	53,2	15 600	39,5	56,1	14 800	43,9	57,7	14 200	32,0
34,0	25,9	49,6	14 400	33,8	53,4	13 600	38,7	55,4	13 100	34,0
36,0	16,4	44,5	13 300	27,0	50,0	12 600	32,8	52,7	12 100	36,0
38,0				18,1	45,2	11 700	25,8	49,1	11 200	38,0
40,0							16,3	43,9	10 500	40,0
42,0										42,0
44,0										44,0
46,0										46,0
48,0										48,0

MLC165 S-2

ASME B30.5



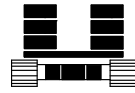
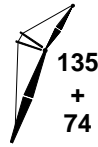
55 110 kg
+
16 010 kg



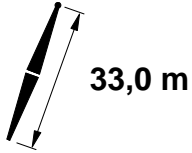
m	75°			70°			65°			m
	m	m	kg	m	m	kg	m	m	kg	
13,7										13,7
14,0										14,0
16,0										16,0
18,0										18,0
20,0										20,0
22,0										22,0
24,0										24,0
26,0	62,7	63,6	17 300							26,0
28,0	58,8	62,5	15 700							28,0
30,0	54,7	61,2	14 400							30,0
32,0	50,4	59,6	13 200	56,2	60,7	12 200				32,0
34,0	45,8	57,8	12 200	52,0	59,3	11 300				34,0
36,0	40,8	55,7	11 300	47,5	57,6	10 400				36,0
38,0	35,3	53,2	10 500	42,7	55,6	9 700	49,0	57,0	8 900	38,0
40,0	28,8	50,0	9 700	37,4	53,2	9 000	44,3	55,1	8 300	40,0
42,0	20,6	45,6	9 100	31,3	50,3	8 400	39,1	52,9	7 700	42,0
44,0				23,9	46,5	7 800	33,3	50,1	7 200	44,0
46,0							26,5	46,7	6 700	46,0
48,0							17,3	41,7	6 300	48,0

MLC165 S-2

ASME B30.5



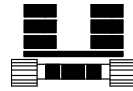
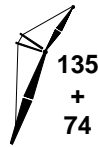
55 110 kg
+
16 010 kg



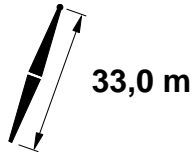
m	87°			83°			80°			m
	m	m	kg	m	m	kg	m	m	kg	
13,7	74,3	70,2	28 200 *c							13,7
14,0	73,9	70,1	28 200 *c							14,0
16,0	70,6	69,5	27 600 *c							16,0
18,0	67,2	68,7	26 300 *b							18,0
20,0	63,8	67,8	25 100 *b	67,7	68,6	26 500				20,0
22,0	60,2	66,8	23 900 *	64,3	67,7	23 800				22,0
24,0	56,5	65,5	22 400	60,7	66,7	21 200	63,8	67,3	20 400	24,0
26,0	52,7	64,1	20 200	57,1	65,5	19 200	60,2	66,2	18 400	26,0
28,0	48,6	62,5	18 400	53,3	64,1	17 400	56,5	65,0	16 700	28,0
30,0	44,3	60,6	16 800	49,2	62,5	15 900	52,7	63,6	15 300	30,0
32,0	39,6	58,3	15 500	45,0	60,6	14 600	48,6	61,9	14 100	32,0
34,0	34,4	55,7	14 300	40,3	58,4	13 500	44,3	60,0	12 900	34,0
36,0	28,4	52,4	13 200	35,2	55,9	12 500	39,6	57,8	12 000	36,0
38,0	20,9	48,1	12 300	29,4	52,7	11 600	34,4	55,1	11 100	38,0
40,0				22,1	48,6	10 800	28,4	51,9	10 400	40,0
42,0				11,2	41,9	10 100	20,9	47,5	9 700	42,0
44,0							8,5	39,9	9 000	44,0
46,0										46,0
48,0										48,0
50,0										50,0

MLC165 S-2

ASME B30.5



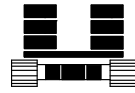
55 110 kg
+
16 010 kg



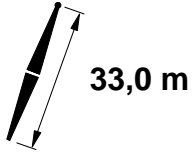
	75°			70°			65°			
	m	m	kg	m	m	kg	m	m	kg	m
13,7										13,7
14,0										14,0
16,0										16,0
18,0										18,0
20,0										20,0
22,0										22,0
24,0										24,0
26,0										26,0
28,0	61,6	66,0	15 600							28,0
30,0	58,0	64,8	14 200							30,0
32,0	54,2	63,5	13 100							32,0
34,0	50,3	61,9	12 000	55,6	63,1	11 100				34,0
36,0	46,1	60,1	11 100	51,7	61,6	10 300				36,0
38,0	41,5	58,1	10 300	47,6	59,9	9 500				38,0
40,0	36,6	55,6	9 600	43,2	57,9	8 900	49,0	59,3	8 100	40,0
42,0	30,9	52,6	9 000	38,4	55,6	8 200	44,7	57,4	7 500	42,0
44,0	24,2	48,8	8 400	33,1	52,8	7 700	40,0	55,2	7 000	44,0
46,0				26,8	49,4	7 200	34,9	52,6	6 600	46,0
48,0				18,7	44,6	6 700	28,9	49,4	6 100	48,0
50,0							21,6	45,2	5 700	50,0

MLC165 S-2

ASME B30.5



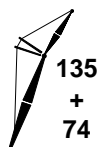
55 110 kg
+
16 010 kg



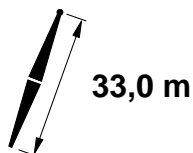
m	87°			83°			80°			m
	m	m	kg	m	m	kg	m	m	kg	
15,2	73,3	73,0	21 600 *c							15,2
16,0	72,1	72,7	21 400 *c							16,0
18,0	69,0	72,0	20 900 *b							18,0
20,0	65,9	71,2	20 500 *b	69,5	71,9	21 100 *				20,0
22,0	62,7	70,2	20 000 *	66,4	71,1	20 800 *				22,0
24,0	59,4	69,1	19 500 *	63,2	70,1	20 500 *	65,9	70,6	20 100	24,0
26,0	56,0	67,9	18 600 *	59,9	69,0	19 100	62,7	69,7	18 300	26,0
28,0	52,4	66,4	17 700 *	56,5	67,8	17 300	59,4	68,6	16 600	28,0
30,0	48,7	64,8	16 700	52,9	66,4	15 800	56,0	67,3	15 200	30,0
32,0	44,7	62,9	15 400	49,2	64,8	14 600	52,4	65,9	14 000	32,0
34,0	40,4	60,7	14 200	45,3	62,9	13 400	48,7	64,2	12 900	34,0
36,0	35,7	58,2	13 200	41,1	60,8	12 400	44,7	62,3	11 900	36,0
38,0	30,4	55,1	12 200	36,4	58,3	11 600	40,4	60,2	11 100	38,0
40,0	24,1	51,2	11 400	31,2	55,3	10 800	35,7	57,6	10 300	40,0
42,0	15,6	45,7	10 600	25,1	51,6	10 000	30,4	54,5	9 600	42,0
44,0				17,1	46,4	9 400	24,1	50,6	9 000	44,0
46,0							15,6	45,1	8 400	46,0
48,0										48,0
50,0										50,0
52,0										52,0
54,0										54,0

MLC165 S-2

ASME B30.5



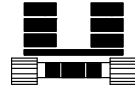
55 110 kg
+
16 010 kg



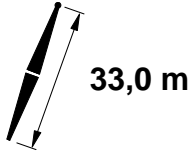
m	75°			70°			65°			m
	m	m	kg	m	m	kg	m	m	kg	
15,2										15,2
16,0										16,0
18,0										18,0
20,0										20,0
22,0										22,0
24,0										24,0
26,0										26,0
28,0										28,0
30,0	60,7	68,4	14 100							30,0
32,0	57,4	67,2	12 900							32,0
34,0	53,8	65,8	11 900							34,0
36,0	50,2	64,2	11 000	55,1	65,4	10 200				36,0
38,0	46,3	62,4	10 200	51,5	63,9	9 400				38,0
40,0	42,2	60,4	9 500	47,7	62,2	8 700				40,0
42,0	37,6	58,0	8 900	43,7	60,2	8 100	49,0	61,6	7 400	42,0
44,0	32,6	55,2	8 300	39,3	58,0	7 600	45,0	59,7	6 900	44,0
46,0	26,8	51,6	7 800	34,5	55,3	7 100	40,8	57,6	6 500	46,0
48,0	19,4	47,0	7 200	29,0	52,1	6 600	36,1	55,1	6 100	48,0
50,0				22,4	47,9	6 200	30,9	52,0	5 600	50,0
52,0							24,7	48,3	5 300	52,0
54,0							16,4	42,9	4 900	54,0

MLC165 S-2

ASME B30.5



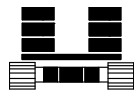
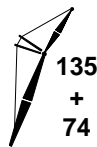
55 110 kg
+
16 010 kg



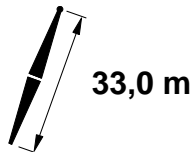
m	87°			83°			80°			m
	m	m	kg	m	m	kg	m	m	kg	
15,2	74,5	76,1	20 200 *c							15,2
16,0	73,4	75,9	20 000 *c							16,0
18,0	70,6	75,3	19 600 *b							18,0
20,0	67,7	74,5	19 200 *b							20,0
22,0	64,8	73,6	18 800 *	68,2	74,4	19 400 *				22,0
24,0	61,8	72,6	17 900 *	65,2	73,5	19 000 *				24,0
26,0	58,7	71,5	17 000 *	62,2	72,5	18 100 *	64,8	73,1	18 200	26,0
28,0	55,5	70,2	16 200 *	59,2	71,4	17 200	61,8	72,1	16 500	28,0
30,0	52,2	68,7	15 300 *	56,0	70,1	15 700	58,7	70,9	15 100	30,0
32,0	48,7	67,1	14 600 *	52,7	68,7	14 400	55,5	69,6	13 800	32,0
34,0	45,0	65,2	13 800 *	49,2	67,1	13 300	52,2	68,2	12 700	34,0
36,0	41,1	63,1	13 000	45,6	65,2	12 300	48,7	66,5	11 800	36,0
38,0	36,8	60,6	12 100	41,7	63,1	11 400	45,0	64,7	10 900	38,0
40,0	32,0	57,7	11 300	37,4	60,7	10 700	41,1	62,5	10 200	40,0
42,0	26,6	54,1	10 500	32,8	57,9	9 900	36,8	60,0	9 500	42,0
44,0	19,7	49,4	9 900	27,4	54,4	9 300	32,0	57,1	8 900	44,0
46,0				20,9	50,0	8 700	26,5	53,5	8 300	46,0
48,0				11,1	43,0	8 100	19,7	48,9	7 800	48,0
50,0							8,8	41,0	7 300	50,0
52,0										52,0
54,0										54,0
56,0										56,0

MLC165 S-2

ASME B30.5



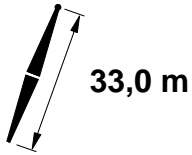
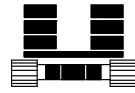
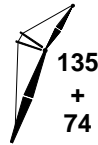
55 110 kg
+
16 010 kg



	75°			70°			65°			
	m	m	kg	m	m	kg	m	m	kg	m
15,2										15,2
16,0										16,0
18,0										18,0
20,0										20,0
22,0										22,0
24,0										24,0
26,0										26,0
28,0										28,0
30,0										30,0
32,0	59,9	70,7	12 800							32,0
34,0	56,8	69,5	11 700							34,0
36,0	53,5	68,1	10 900							36,0
38,0	50,1	66,5	10 100	54,7	67,7	9 200				38,0
40,0	46,5	64,7	9 300	51,4	66,2	8 600				40,0
42,0	42,7	62,7	8 700	47,8	64,5	8 000				42,0
44,0	38,5	60,4	8 100	44,1	62,6	7 400	49,0	63,9	6 800	44,0
46,0	34,0	57,7	7 600	40,1	60,4	7 000	45,3	62,1	6 300	46,0
48,0	28,9	54,4	7 100	35,7	57,8	6 500	41,4	59,9	5 900	48,0
50,0	22,7	50,2	6 700	30,8	54,7	6 100	37,2	57,5	5 500	50,0
52,0				25,1	51,0	5 700	32,5	54,6	5 100	52,0
54,0				17,7	45,9	5 300	27,0	51,1	4 800	54,0
56,0							20,4	46,6	4 500	56,0

MLC165 S-2

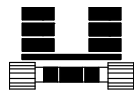
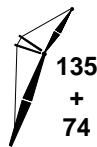
ASME B30.5



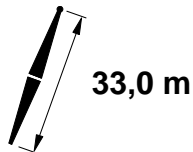
m	87°			83°			80°			m
	m	m	kg	m	m	kg	m	m	kg	
16,8	73,6	78,9	18 500 *b							16,8
18,0	71,9	78,5	18 300 *b							18,0
20,0	69,3	77,8	18 000 *b							20,0
22,0	66,6	77,0	17 300 *	69,7	77,6	18 000 *				22,0
24,0	63,8	76,0	16 500 *	67,0	76,8	17 500 *				24,0
26,0	61,0	75,0	15 600 *	64,2	75,9	16 700 *	66,6	76,4	17 200 *	26,0
28,0	58,1	73,8	14 800 *	61,4	74,9	15 900 *	63,8	75,5	16 400 *	28,0
30,0	55,1	72,5	14 000 *	58,5	73,8	15 000 *	61,0	74,5	15 000 *	30,0
32,0	52,0	71,0	13 200 *	55,5	72,5	14 200 *	58,1	73,3	13 700 *	32,0
34,0	48,7	69,4	12 500 *	52,4	71,0	13 300 *	55,1	72,0	12 700 *	34,0
36,0	45,3	67,5	11 800 *	49,2	69,4	12 300 *	52,0	70,5	11 700 *	36,0
38,0	41,6	65,4	11 200 *	45,8	67,5	11 400 *	48,7	68,8	10 900 *	38,0
40,0	37,7	63,0	10 600 *	42,2	65,5	10 600 *	45,3	67,0	10 100 *	40,0
42,0	33,4	60,2	10 000 *	38,3	63,1	9 900 *	41,6	64,8	9 500 *	42,0
44,0	28,5	56,9	9 400 *	34,1	60,4	9 300 *	37,7	62,4	8 800 *	44,0
46,0	22,7	52,7	9 000 *	29,3	57,1	8 700 *	33,4	59,6	8 300 *	46,0
48,0	15,0	46,8	8 600 *	23,7	53,1	8 100 *	28,5	56,3	7 700 *	48,0
50,0				16,3	47,6	7 600 *	22,7	52,1	7 300 *	50,0
52,0							14,9	46,3	6 800 *	52,0
54,0										54,0
56,0										56,0
58,0										58,0
60,0										60,0

MLC165 S-2

ASME B30.5



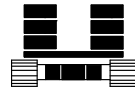
55 110 kg
+
16 010 kg



	75°			70°			65°			
m	m	m	kg	m	m	kg	m	m	kg	m
16,8										16,8
18,0										18,0
20,0										20,0
22,0										22,0
24,0										24,0
26,0										26,0
28,0										28,0
30,0										30,0
32,0	62,1	74,2	12 700							32,0
34,0	59,3	73,1	11 700							34,0
36,0	56,3	71,8	10 800							36,0
38,0	53,2	70,4	10 000							38,0
40,0	50,0	68,8	9 300	54,4	70,0	8 500				40,0
42,0	46,7	67,1	8 700	51,2	68,5	7 900				42,0
44,0	43,1	65,0	8 100	47,9	66,8	7 400				44,0
46,0	39,3	62,8	7 600	44,4	64,9	6 900	49,0	66,2	6 200	46,0
48,0	35,2	60,1	7 100	40,7	62,7	6 500	45,6	64,4	5 800	48,0
50,0	30,5	57,0	6 700	36,7	60,2	6 000	41,9	62,3	5 400	50,0
52,0	25,2	53,2	6 300	32,3	57,3	5 700	38,0	59,9	5 100	52,0
54,0	18,4	48,2	5 900	27,2	53,8	5 300	33,8	57,1	4 700	54,0
56,0				21,1	49,4	5 000	28,9	53,8	4 500	56,0
58,0							23,2	49,8	4 200	58,0
60,0							15,7	44,1	3 900	60,0

MLC165 S-2

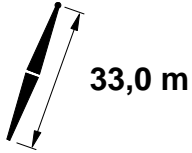
ASME B30.5



55 110 kg
+
16 010 kg



360°



33,0 m



48,8 m

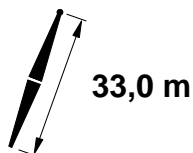
m	87°			83°			80°			m
	m	m	kg	m	m	kg	m	m	kg	
16,8	74,6	82,0	17 300 *b							16,8
18,0	73,1	81,7	17 100 *b							18,0
20,0	70,6	81,0	16 700 *b							20,0
22,0	68,1	80,3	15 800 *							22,0
24,0	65,6	79,4	15 000 *	68,5	80,1	15 900 *				24,0
26,0	63,0	78,5	14 200 *	65,9	79,3	15 100 *				26,0
28,0	60,3	77,4	13 400 *	63,3	78,4	14 400 *	65,6	78,9	14 900 *	28,0
30,0	57,5	76,2	12 600 *	60,7	77,3	13 600 *	63,0	77,9	14 200 *	30,0
32,0	54,7	74,8	11 900 *	58,0	76,1	12 800 *	60,3	76,8	13 500 *	32,0
34,0	51,8	73,3	11 200 *	55,1	74,8	12 100 *	57,5	75,6	12 600 *	34,0
36,0	48,7	71,7	10 500 *	52,2	73,3	11 400 *	54,7	74,3	11 600 *	36,0
38,0	45,5	69,8	9 800 *	49,2	71,7	10 700 *	51,8	72,8	10 700 *	38,0
40,0	42,1	67,7	9 200 *	46,0	69,8	10 000 *	48,7	71,1	10 000 *	40,0
42,0	38,5	65,4	8 700 *	42,6	67,8	9 400 *	45,5	69,3	9 300 *	42,0
44,0	34,5	62,7	8 100 *	39,0	65,5	8 800 *	42,1	67,2	8 700 *	44,0
46,0	30,2	59,5	7 600 *	35,1	62,8	8 300 *	38,5	64,8	8 100 *	46,0
48,0	25,1	55,7	7 200 *	30,8	59,8	7 800 *	34,5	62,1	7 600 *	48,0
50,0	18,8	50,7	6 800 *	25,9	56,1	7 300 *	30,1	59,0	7 200 *	50,0
52,0				19,8	51,3	6 900 *	25,1	55,1	6 700 *	52,0
54,0				11,0	44,0	6 400 *	18,8	50,2	6 300 *	54,0
56,0							9,0	42,1	5 900	56,0
58,0										58,0
60,0										60,0
62,0										62,0
64,0										64,0

MLC165 S-2

ASME B30.5



55 110 kg
+
16 010 kg



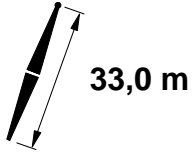
	75°			70°			65°			
m	m	m	kg	m	m	kg	m	m	kg	m
16,8										16,8
18,0										18,0
20,0										20,0
22,0										22,0
24,0										24,0
26,0										26,0
28,0										28,0
30,0										30,0
32,0										32,0
34,0	61,4	76,6	11 600							34,0
36,0	58,6	75,4	10 700							36,0
38,0	55,9	74,2	9 900							38,0
40,0	53,0	72,7	9 200	56,9	73,7	8 400				40,0
42,0	50,0	71,1	8 500	54,0	72,3	7 800				42,0
44,0	46,8	69,4	7 900	51,1	70,8	7 200				44,0
46,0	43,5	67,4	7 500	48,0	69,1	6 700	52,0	70,2	6 100	46,0
48,0	40,0	65,1	6 900	44,7	67,2	6 300	49,0	68,5	5 700	48,0
50,0	36,2	62,6	6 500	41,3	65,0	5 900	45,8	66,7	5 300	50,0
52,0	32,0	59,6	6 100	37,6	62,6	5 500	42,4	64,6	4 900	52,0
54,0	27,2	56,1	5 700	33,5	59,8	5 200	38,8	62,3	4 600	54,0
56,0	21,5	51,7	5 400	29,0	56,5	4 900	34,9	59,6	4 300	56,0
58,0				23,7	52,5	4 500	30,5	56,5	4 000	58,0
60,0				17,0	47,1	4 300	25,5	52,7	3 800	60,0
62,0							19,4	47,9	3 500	62,0
64,0							10,1	40,3	3 300	64,0

MLC165 S-2

ASME B30.5



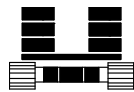
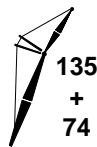
55 110 kg
+
16 010 kg



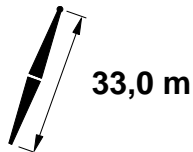
m	87°			83°			80°			m
	m	m	kg	m	m	kg	m	m	kg	
18,3	73,8	84,8	15 800 *b							18,3
20,0	71,8	84,2	15 400 *b							20,0
22,0	69,5	83,5	14 600 *							22,0
24,0	67,1	82,7	13 700 *							24,0
26,0	64,7	81,9	13 000 *	67,4	82,6	13 900 *				26,0
28,0	62,2	80,9	12 200 *	65,0	81,7	13 100 *	67,1	82,2	13 600 *	28,0
30,0	59,7	79,7	11 500 *	62,6	80,8	12 400 *	64,7	81,3	13 000 *	30,0
32,0	57,1	78,5	10 800 *	60,0	79,7	11 700 *	62,2	80,3	12 200 *	32,0
34,0	54,4	77,1	10 100 *	57,5	78,4	11 000 *	59,7	79,2	11 600 *	34,0
36,0	51,6	75,6	9 500 *	54,8	77,1	10 300 *	57,1	78,0	10 900 *	36,0
38,0	48,7	74,0	8 800 *	52,0	75,6	9 600 *	54,4	76,6	10 200 *	38,0
40,0	45,7	72,1	8 200 *	49,2	74,0	9 000 *	51,6	75,1	9 600 *	40,0
42,0	42,6	70,1	7 700 *	46,2	72,2	8 400 *	48,7	73,4	8 900 *	42,0
44,0	39,2	67,7	7 200 *	43,0	70,1	7 800 *	45,7	71,6	8 400 *	44,0
46,0	35,5	65,1	6 700 *	39,7	67,9	7 300 *	42,5	69,5	7 800 *	46,0
48,0	31,5	62,1	6 200 *	36,1	65,3	6 800 *	39,2	67,2	7 300 *	48,0
50,0	27,0	58,5	5 600 *	32,1	62,3	6 300 *	35,5	64,6	6 800 *	50,0
52,0	21,6	54,1	5 100 *	27,7	58,9	5 700 *	31,5	61,6	6 200 *	52,0
54,0	14,5	48,0	4 700 *	22,5	54,6	5 200 *	27,0	58,0	5 700 *	54,0
56,0				15,7	48,8	4 700 *	21,6	53,6	5 100 *	56,0
58,0							14,5	47,4	4 700 *	58,0
60,0										60,0
62,0										62,0
64,0										64,0
66,0										66,0

MLC165 S-2

ASME B30.5



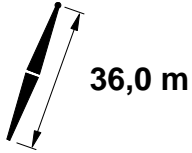
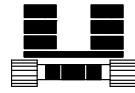
55 110 kg
+
16 010 kg



	75°			70°			65°			
m	m	m	kg	m	m	kg	m	m	kg	m
18,3										18,3
20,0										20,0
22,0										22,0
24,0										24,0
26,0										26,0
28,0										28,0
30,0										30,0
32,0										32,0
34,0										34,0
36,0	60,7	79,0	10 500							36,0
38,0	58,1	77,8	9 700							38,0
40,0	55,5	76,5	9 000							40,0
42,0	52,7	75,0	8 400	56,4	76,0	7 700				42,0
44,0	49,9	73,4	7 800	53,7	74,7	7 100				44,0
46,0	46,9	71,7	7 300	50,9	73,1	6 600				46,0
48,0	43,8	69,7	6 800	48,0	71,4	6 200	51,8	72,5	5 600	48,0
50,0	40,5	67,5	6 400	45,0	69,5	5 800	49,0	70,8	5 200	50,0
52,0	37,0	65,0	6 000	41,8	67,4	5 400	46,0	69,0	4 800	52,0
54,0	33,2	62,1	5 600	38,3	65,0	5 100	42,8	66,9	4 500	54,0
56,0	28,9	58,8	5 300	34,6	62,3	4 700	39,5	64,6	4 200	56,0
58,0	23,9	54,8	5 000	30,5	59,2	4 400	35,8	62,0	3 900	58,0
60,0	17,7	49,5	4 700	25,8	55,4	4 100	31,9	59,1	3 600	60,0
62,0				20,1	50,7	3 900	27,4	55,5	3 400	62,0
64,0				12,2	43,8	3 600	22,1	51,2	3 200	64,0
66,0							15,2	45,3	2 900	66,0

MLC165 S-2

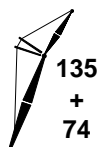
ASME B30.5



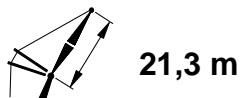
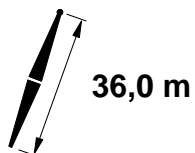
m	87°			83°			80°			m
	m	m	kg	m	m	kg	m	m	kg	
9,8	74,3	58,5	42 500 *d							9,8
10,0	73,6	58,5	42 500 *d							10,0
12,0	67,9	57,8	42 500 *c							12,0
14,0	62,0	56,8	39 100 *c	69,4	57,7	42 300 c				14,0
16,0	55,7	55,6	34 300 *c	63,5	56,8	36 300 c				16,0
18,0	48,9	54,1	30 800 *b	57,3	55,7	31 100 b	63,1	56,4	29 900 b	18,0
20,0	41,4	52,1	28 100 b	50,7	54,2	27 200	56,9	55,3	26 100 b	20,0
22,0	32,4	49,4	25 400	43,4	52,4	24 100	50,2	53,8	23 200 b	22,0
24,0	20,3	45,4	22 700	34,8	49,9	21 600	42,8	51,9	20 700	24,0
26,0				23,9	46,4	19 500	34,2	49,4	18 700	26,0
28,0							22,9	45,7	17 000	28,0
30,0										30,0
32,0										32,0
34,0										34,0
36,0										36,0
38,0										38,0

MLC165 S-2

ASME B30.5



55 110 kg
+
16 010 kg

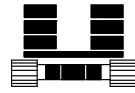
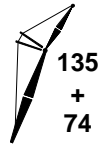


	75°			70°			65°			
	m	m	kg	m	m	kg	m	m	kg	
9,8										9,8
10,0										10,0
12,0										12,0
14,0										14,0
16,0										16,0
18,0										18,0
20,0										20,0
22,0	60,2	55,2	21 600 b							22,0
24,0	53,8	53,9	19 300 b							24,0
26,0	46,8	52,2	17 400	57,0	53,6	16 200 b				26,0
28,0	38,9	50,1	15 800	50,3	52,1	14 700				28,0
30,0	29,3	47,1	14 400	42,9	50,2	13 400				30,0
32,0	15,1	42,2	13 200	34,3	47,7	12 300	46,3	49,8	11 300	32,0
34,0				23,1	44,1	11 300	38,3	47,6	10 500	34,0
36,0							28,5	44,6	9 600	36,0
38,0							13,5	39,4	8 900	38,0

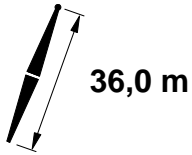
REFERENCE ONLY




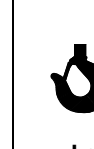

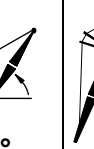
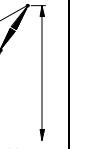



MLC165 S-2

ASME B30.5



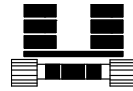
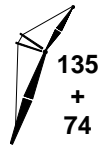
55 110 kg
+
16 010 kg



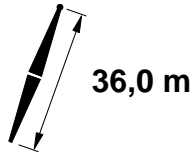
	87°			83°			80°				
	 m	 m	 m	 kg	 m	 kg	 m	 kg	 m		 kg
10,4	74,8	61,5	39 100 *d								10,4
12,0	70,8	61,0	39 100 *c								12,0
14,0	65,8	60,2	38 600 *c								14,0
16,0	60,5	59,2	34 300 *c	67,0	60,2	36 200 c					16,0
18,0	54,9	58,0	30 600 *b	61,8	59,2	31 000 b					18,0
20,0	49,0	56,4	27 800 *b	56,3	58,0	27 100	61,4	58,8	26 000 b		20,0
22,0	42,4	54,4	25 300	50,5	56,5	24 000	55,9	57,6	23 000 b		22,0
24,0	34,8	51,9	22 600	44,1	54,7	21 500	50,1	56,1	20 600		24,0
26,0	25,5	48,5	20 400	36,8	52,4	19 400	43,6	54,2	18 600		26,0
28,0				28,1	49,2	17 600	36,3	51,8	16 900		28,0
30,0				15,4	44,2	16 100	27,4	48,6	15 500		30,0
32,0							14,0	43,3	14 100		32,0
34,0											34,0
36,0											36,0
38,0											38,0
40,0											40,0

MLC165 S-2

ASME B30.5



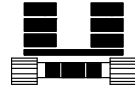
55 110 kg
+
16 010 kg



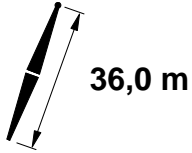
	75°			70°			65°			
	m	m	kg	m	m	kg	m	m	kg	
10,4										10,4
12,0										12,0
14,0										14,0
16,0										16,0
18,0										18,0
20,0										20,0
22,0										22,0
24,0	58,9	57,6	19 200							24,0
26,0	53,2	56,2	17 300							26,0
28,0	47,1	54,5	15 700	56,0	55,9	14 500				28,0
30,0	40,3	52,4	14 300	50,2	54,4	13 200				30,0
32,0	32,3	49,7	13 200	43,7	52,5	12 200	52,8	53,8	11 200	32,0
34,0	22,0	45,8	12 100	36,4	50,2	11 200	46,6	52,1	10 300	34,0
36,0				27,5	46,9	10 300	39,8	50,0	9 500	36,0
38,0				14,3	41,7	9 600	31,7	47,2	8 800	38,0
40,0							21,1	43,2	8 100	40,0




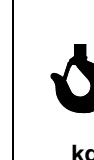

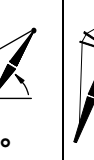




MLC165 S-2

ASME B30.5



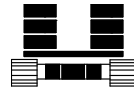
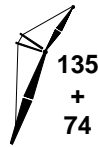
55 110 kg
+
16 010 kg



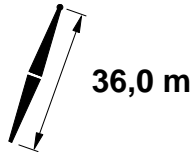
	87°			83°			80°				
	 m	 m	 m	 kg	 m	 kg	 m	 kg	 m		 kg
11,6	73,9	64,4	35 400 *d								11,6
12,0	73,0	64,2	35 300 *d								12,0
14,0	68,6	63,5	35 200 *c								14,0
16,0	64,0	62,7	33 900 *c								16,0
18,0	59,3	61,6	30 700 *b	65,2	62,6	30 900 b					18,0
20,0	54,3	60,3	27 700 *b	60,5	61,6	27 000 b	64,9	62,3	25 900 b		20,0
22,0	49,0	58,7	25 200	55,6	60,4	23 900	60,1	61,2	22 900 b		22,0
24,0	43,2	56,8	22 600	50,3	58,8	21 400	55,2	59,9	20 500		24,0
26,0	36,6	54,4	20 400	44,7	57,0	19 300	49,9	58,4	18 500		26,0
28,0	28,9	51,3	18 600	38,3	54,8	17 600	44,2	56,6	16 800		28,0
30,0	18,5	46,7	17 000	31,0	51,9	16 100	37,9	54,3	15 400		30,0
32,0				21,6	47,8	14 700	30,4	51,3	14 100		32,0
34,0							20,7	47,1	13 000		34,0
36,0											36,0
38,0											38,0
40,0											40,0
42,0											42,0
44,0											44,0

MLC165 S-2

ASME B30.5



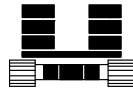
55 110 kg
+
16 010 kg



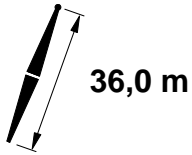
	75°			70°			65°			
m	m	m	kg	m	m	kg	m	m	kg	m
11,6										11,6
12,0										12,0
14,0										14,0
16,0										16,0
18,0										18,0
20,0										20,0
22,0										22,0
24,0										24,0
26,0	57,8	59,9	17 200							26,0
28,0	52,8	58,5	15 600							28,0
30,0	47,3	56,8	14 300	55,3	58,2	13 200				30,0
32,0	41,3	54,8	13 100	50,0	56,7	12 100				32,0
34,0	34,5	52,2	12 100	44,3	54,8	11 100				34,0
36,0	26,3	48,8	11 200	38,0	52,6	10 300	46,9	54,4	9 400	36,0
38,0	14,1	43,4	10 300	30,5	49,6	9 500	40,9	52,4	8 700	38,0
40,0				20,9	45,5	8 900	34,0	49,8	8 100	40,0
42,0							25,6	46,3	7 500	42,0
44,0							12,8	40,5	7 000	44,0

MLC165 S-2

ASME B30.5



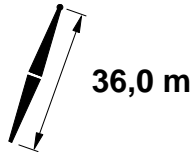
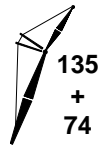
55 110 kg
+
16 010 kg


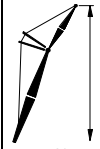


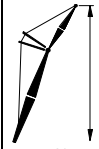


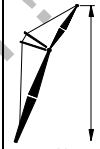



m	87°			83°			80°			m
	m	m	kg	m	m	kg	m	m	kg	
12,2	74,4	67,4	32 500 *d							12,2
14,0	70,8	66,8	32 300 *c							14,0
16,0	66,8	66,0	31 700 *c							16,0
18,0	62,6	65,1	30 100 *b	67,8	66,0	30 600 b				18,0
20,0	58,3	63,9	27 700 *b	63,7	65,1	26 800	67,5	65,6	25 700 b	20,0
22,0	53,8	62,6	25 100	59,4	64,0	23 800	63,4	64,7	22 800 b	22,0
24,0	49,0	61,0	22 500	54,9	62,7	21 300	59,1	63,6	20 400	24,0
26,0	43,8	59,1	20 300	50,2	61,1	19 200	54,6	62,3	18 400	26,0
28,0	38,0	56,8	18 500	45,1	59,3	17 500	49,8	60,7	16 700	28,0
30,0	31,4	53,9	16 900	39,5	57,1	16 000	44,7	58,9	15 300	30,0
32,0	23,2	50,0	15 500	33,2	54,4	14 600	39,1	56,6	14 000	32,0
34,0				25,5	50,8	13 500	32,7	53,9	13 000	34,0
36,0				14,5	45,3	12 500	24,9	50,2	12 000	36,0
38,0							13,4	44,5	11 100	38,0
40,0										40,0
42,0										42,0
44,0										44,0
46,0										46,0

MLC165 S-2

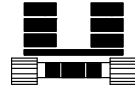
ASME B30.5



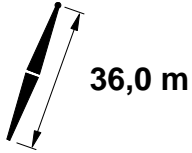
	75°			70°			65°			
	 m	 m	 kg	 m	 m	 kg	 m	 m	 kg	
12,2										12,2
14,0										14,0
16,0										16,0
18,0										18,0
20,0										20,0
22,0										22,0
24,0										24,0
26,0	61,4	63,4	17 000							26,0
28,0	57,0	62,2	15 400							28,0
30,0	52,4	60,8	14 100							30,0
32,0	47,5	59,1	12 900	54,7	60,5	11 900				32,0
34,0	42,1	57,1	11 900	49,9	59,0	10 900				34,0
36,0	36,2	54,7	11 000	44,8	57,2	10 100				36,0
38,0	29,2	51,6	10 200	39,2	54,9	9 400	47,1	56,8	8 500	38,0
40,0	20,2	47,2	9 500	32,8	52,2	8 700	41,7	54,7	7 900	40,0
42,0				25,0	48,6	8 100	35,7	52,2	7 300	42,0
44,0				13,6	42,8	7 500	28,7	49,0	6 800	44,0
46,0							19,4	44,6	6 400	46,0

MLC165 S-2

ASME B30.5



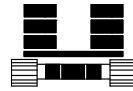
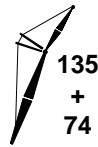
55 110 kg
+
16 010 kg



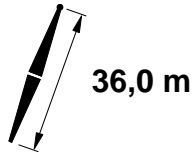
m	87°			83°			80°			m
	m	m	kg	m	m	kg	m	m	kg	
13,7	73,1	70,1	29 800 *c							13,7
14,0	72,6	70,0	29 700 *c							14,0
16,0	69,0	69,3	29 300 *c							16,0
18,0	65,3	68,5	28 200 *b							18,0
20,0	61,5	67,5	27 000 *b	66,2	68,4	26 800				20,0
22,0	57,5	66,3	24 900	62,4	67,5	23 700	66,0	68,0	22 800	22,0
24,0	53,4	64,9	22 500	58,5	66,3	21 200	62,2	67,1	20 300	24,0
26,0	49,0	63,3	20 300	54,4	65,0	19 200	58,2	65,9	18 300	26,0
28,0	44,3	61,4	18 500	50,1	63,4	17 400	54,1	64,6	16 700	28,0
30,0	39,1	59,2	16 900	45,5	61,6	16 000	49,8	63,0	15 200	30,0
32,0	33,3	56,4	15 600	40,5	59,5	14 600	45,1	61,2	14 000	32,0
34,0	26,5	52,9	14 300	34,9	56,9	13 500	40,1	59,0	13 000	34,0
36,0	17,3	48,0	13 300	28,3	53,6	12 600	34,4	56,4	12 000	36,0
38,0				20,0	49,2	11 700	27,8	53,1	11 100	38,0
40,0							19,2	48,5	10 300	40,0
42,0										42,0
44,0										44,0
46,0										46,0
48,0										48,0
50,0										50,0

MLC165 S-2

ASME B30.5



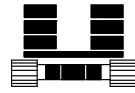
55 110 kg
+
16 010 kg



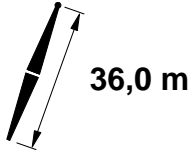
	75°			70°			65°			
	m	m	kg	m	m	kg	m	m	kg	m
13,7										13,7
14,0										14,0
16,0										16,0
18,0										18,0
20,0										20,0
22,0										22,0
24,0										24,0
26,0										26,0
28,0	60,3	65,8	15 400							28,0
30,0	56,3	64,6	14 100							30,0
32,0	52,1	63,1	12 900							32,0
34,0	47,6	61,4	11 900	54,2	62,9	10 900				34,0
36,0	42,8	59,5	11 000	49,8	61,3	10 100				36,0
38,0	37,5	57,1	10 200	45,2	59,5	9 400				38,0
40,0	31,5	54,2	9 500	40,2	57,3	8 700	47,3	59,1	7 900	40,0
42,0	24,1	50,4	8 900	34,5	54,7	8 100	42,4	57,0	7 300	42,0
44,0	13,5	44,5	8 300	27,9	51,4	7 600	37,1	54,6	6 800	44,0
46,0				19,4	46,8	7 000	31,0	51,7	6 400	46,0
48,0							23,5	47,8	6 000	48,0
50,0							12,4	41,6	5 500	50,0






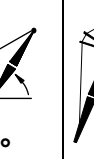




MLC165 S-2

ASME B30.5



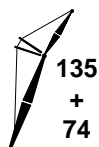
55 110 kg
+
16 010 kg



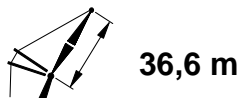
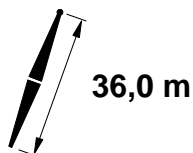
	87°			83°			80°				
	 m	 °	 m	 kg	 °	 m	 kg	 °	 m		 kg
13,7	74,6	73,3	22 900 *c								13,7
14,0	74,1	73,2	22 900 *c								14,0
16,0	70,8	72,5	22 300 *c								16,0
18,0	67,5	71,8	21 800 *b								18,0
20,0	64,0	70,9	21 300 *b	68,3	71,7	22 200 *					20,0
22,0	60,5	69,8	20 800 *	64,9	70,9	21 800 *					22,0
24,0	56,8	68,6	20 400 *	61,4	69,8	21 000	64,7	70,5	20 200		24,0
26,0	53,0	67,2	19 800 *	57,8	68,7	19 000	61,1	69,5	18 200		26,0
28,0	49,0	65,6	18 300	54,0	67,3	17 300	57,5	68,3	16 500		28,0
30,0	44,7	63,7	16 800	50,0	65,7	15 800	53,7	66,9	15 100		30,0
32,0	40,0	61,5	15 400	45,8	63,9	14 600	49,7	65,3	13 900		32,0
34,0	34,9	58,9	14 200	41,2	61,8	13 400	45,5	63,5	12 800		34,0
36,0	28,9	55,7	13 200	36,2	59,3	12 400	40,9	61,4	11 900		36,0
38,0	21,6	51,5	12 300	30,5	56,3	11 600	35,8	58,8	11 000		38,0
40,0				23,6	52,4	10 700	30,1	55,7	10 200		40,0
42,0				13,8	46,5	10 000	23,1	51,7	9 600		42,0
44,0							12,9	45,6	8 900		44,0
46,0											46,0
48,0											48,0
50,0											50,0
52,0											52,0

MLC165 S-2

ASME B30.5



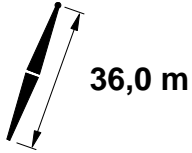
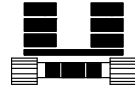
55 110 kg
+
16 010 kg



	75°			70°			65°			
	m	m	kg	m	m	kg	m	m	kg	
13,7										13,7
14,0										14,0
16,0										16,0
18,0										18,0
20,0										20,0
22,0										22,0
24,0										24,0
26,0										26,0
28,0										28,0
30,0	59,4	68,2	13 900							30,0
32,0	55,7	66,9	12 700							32,0
34,0	51,8	65,4	11 700							34,0
36,0	47,7	63,7	10 900	53,8	65,2	9 900				36,0
38,0	43,3	61,8	10 100	49,8	63,6	9 200				38,0
40,0	38,6	59,5	9 400	45,5	61,8	8 500	51,5	63,1	7 700	40,0
42,0	33,2	56,7	8 800	41,0	59,7	8 000	47,4	61,4	7 200	42,0
44,0	27,0	53,3	8 200	35,9	57,1	7 400	43,0	59,4	6 700	44,0
46,0	18,9	48,5	7 600	30,2	54,1	6 900	38,2	57,0	6 200	46,0
48,0				23,2	50,1	6 500	32,8	54,2	5 800	48,0
50,0				13,1	44,0	6 000	26,5	50,7	5 400	50,0
52,0							18,2	45,8	5 100	52,0

MLC165 S-2

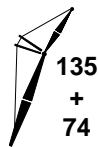
ASME B30.5



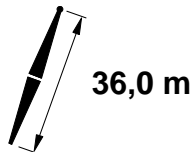
m	87°			83°			80°			m
	m	m	kg	m	m	kg	m	m	kg	
15,2	73,5	76,0	21 200 *c							15,2
16,0	72,4	75,8	21 000 *c							16,0
18,0	69,3	75,1	20 600 *b							18,0
20,0	66,2	74,2	20 100 *b	70,1	75,0	20 800 *				20,0
22,0	63,0	73,3	19 700 *	67,0	74,2	20 400 *				22,0
24,0	59,7	72,2	19 300 *	63,8	73,3	20 100 *				24,0
26,0	56,3	70,9	18 600 *	60,5	72,2	19 000	63,5	72,9	18 100	26,0
28,0	52,7	69,5	17 500 *	57,1	71,0	17 200	60,3	71,8	16 400	28,0
30,0	49,0	67,9	16 300 *	53,6	69,6	15 700	56,9	70,6	15 000	30,0
32,0	45,0	66,0	15 100 *	49,9	68,0	14 500	53,3	69,2	13 800	32,0
34,0	40,8	63,9	14 000 *	46,0	66,2	13 300	49,7	67,6	12 700	34,0
36,0	36,1	61,4	13 000 *	41,9	64,2	12 300	45,7	65,8	11 800	36,0
38,0	30,9	58,3	12 100 *	37,3	61,8	11 500	41,5	63,7	10 900	38,0
40,0	24,7	54,5	11 200 *	32,2	58,9	10 700	37,0	61,3	10 200	40,0
42,0	16,4	49,2	10 500 *	26,3	55,3	10 000	31,9	58,3	9 500	42,0
44,0				18,8	50,5	9 300	25,9	54,7	8 900	44,0
46,0							18,1	49,8	8 300	46,0
48,0										48,0
50,0										50,0
52,0										52,0
54,0										54,0
56,0										56,0

MLC165 S-2

ASME B30.5



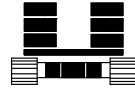
55 110 kg
+
16 010 kg



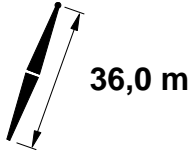
m	75°			70°			65°			m
	m	m	kg	m	m	kg	m	m	kg	
15,2										15,2
16,0										16,0
18,0										18,0
20,0										20,0
22,0										22,0
24,0										24,0
26,0										26,0
28,0										28,0
30,0										30,0
32,0	58,7	70,5	12 700							32,0
34,0	55,2	69,2	11 600							34,0
36,0	51,6	67,7	10 700							36,0
38,0	47,8	66,0	10 000	53,4	67,5	9 100				38,0
40,0	43,8	64,1	9 300	49,7	65,9	8 400				40,0
42,0	39,4	61,9	8 700	45,8	64,1	7 800	51,4	65,4	7 000	42,0
44,0	34,6	59,2	8 100	41,6	62,0	7 300	47,5	63,7	6 600	44,0
46,0	29,2	56,0	7 500	37,0	59,6	6 800	43,5	61,7	6 100	46,0
48,0	22,5	51,9	7 100	31,9	56,6	6 400	39,1	59,4	5 700	48,0
50,0	13,0	45,6	6 600	26,0	53,0	6 000	34,3	56,7	5 400	50,0
52,0				18,3	48,1	5 600	28,7	53,5	5 000	52,0
54,0							22,0	49,2	4 700	54,0
56,0							12,1	42,7	4 300	56,0

MLC165 S-2

ASME B30.5



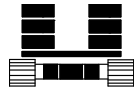
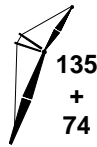
55 110 kg
+
16 010 kg



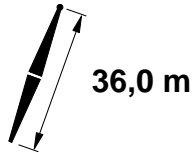
	87°			83°			80°			
	m	m	kg	m	m	kg	m	m	kg	
15,2	74,7	79,2	19 800 *c							15,2
16,0	73,7	78,9	19 700 *c							16,0
18,0	70,8	78,3	19 200 *b							18,0
20,0	68,0	77,6	18 800 *b							20,0
22,0	65,0	76,7	18 500 *	68,7	77,5	19 000 *				22,0
24,0	62,0	75,7	17 900 *	65,8	76,6	18 800 *				24,0
26,0	58,9	74,6	17 000 *	62,8	75,7	18 200	65,6	76,3	17 900	26,0
28,0	55,8	73,3	16 100 *	59,7	74,6	17 200	62,6	75,3	16 200	28,0
30,0	52,4	71,8	15 400 *	56,6	73,3	15 600	59,5	74,2	14 900	30,0
32,0	49,0	70,2	14 500 *	53,3	71,9	14 300	56,3	72,9	13 600	32,0
34,0	45,3	68,3	13 600 *	49,9	70,3	13 200	53,0	71,5	12 600	34,0
36,0	41,4	66,2	12 600 *	46,2	68,6	12 200	49,6	69,9	11 600	36,0
38,0	37,2	63,8	11 800 *	42,4	66,5	11 300	46,0	68,1	10 800	38,0
40,0	32,4	60,9	11 000 *	38,2	64,1	10 600	42,1	66,0	10 000	40,0
42,0	27,0	57,4	10 300 *	33,7	61,4	9 900	37,9	63,7	9 300	42,0
44,0	20,3	52,8	9 600 *	28,5	58,1	9 200	33,3	60,9	8 700	44,0
46,0				22,2	53,8	8 600	28,1	57,5	8 200	46,0
48,0				13,4	47,6	8 100	21,7	53,2	7 700	48,0
50,0							12,5	46,7	7 200	50,0
52,0										52,0
54,0										54,0
56,0										56,0
58,0										58,0

MLC165 S-2

ASME B30.5



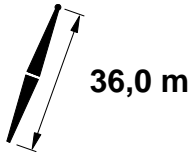
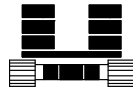
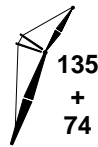
55 110 kg
+
16 010 kg



m	75°			70°			65°			m
	m	m	kg	m	m	kg	m	m	kg	
15,2										15,2
16,0										16,0
18,0										18,0
20,0										20,0
22,0										22,0
24,0										24,0
26,0										26,0
28,0										28,0
30,0										30,0
32,0	61,1	74,0	12 500							32,0
34,0	58,0	72,9	11 500							34,0
36,0	54,8	71,5	10 600							36,0
38,0	51,4	70,0	9 800							38,0
40,0	47,9	68,3	9 100	53,1	69,8	8 300				40,0
42,0	44,2	66,4	8 500	49,7	68,2	7 700				42,0
44,0	40,2	64,2	7 900	46,0	66,4	7 200				44,0
46,0	35,8	61,7	7 400	42,2	64,3	6 700	47,7	66,0	5 900	46,0
48,0	30,9	58,6	6 900	38,0	62,0	6 200	43,9	64,0	5 500	48,0
50,0	25,2	54,9	6 500	33,4	59,2	5 800	39,9	61,8	5 200	50,0
52,0	17,9	49,8	6 100	28,1	55,8	5 500	35,5	59,2	4 800	52,0
54,0				21,8	51,5	5 100	30,6	56,1	4 500	54,0
56,0				12,7	45,1	4 800	24,8	52,3	4 200	56,0
58,0							17,3	47,1	3 900	58,0

MLC165 S-2

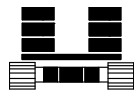
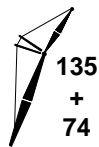
ASME B30.5



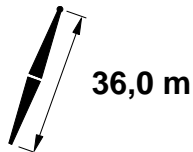
m	87°			83°			80°			m
	m	m	kg	m	m	kg	m	m	kg	
16,8	73,8	81,9	18 200 *b							16,8
18,0	72,2	81,5	18 000 *b							18,0
20,0	69,5	80,8	17 600 *b							20,0
22,0	66,8	80,0	17 200 *							22,0
24,0	64,0	79,1	16 400 *	67,5	80,0	17 400 *				24,0
26,0	61,2	78,1	15 600 *	64,7	79,1	16 700 *	67,3	79,6	17 200	26,0
28,0	58,3	76,9	14 800 *	61,9	78,1	15 900 *	64,5	78,7	16 300	28,0
30,0	55,3	75,6	14 000 *	59,1	76,9	15 100 *	61,7	77,7	14 800	30,0
32,0	52,2	74,1	13 300 *	56,1	75,7	14 200	58,8	76,5	13 600	32,0
34,0	49,0	72,5	12 500 *	53,0	74,2	13 200	55,9	75,3	12 500	34,0
36,0	45,6	70,6	11 900 *	49,8	72,7	12 200	52,8	73,8	11 500	36,0
38,0	41,9	68,6	11 200 *	46,4	70,9	11 300	49,6	72,2	10 700	38,0
40,0	38,0	66,2	10 600 *	42,9	68,8	10 500	46,2	70,4	10 000	40,0
42,0	33,8	63,4	10 100 *	39,0	66,5	9 800	42,6	68,4	9 300	42,0
44,0	28,9	60,1	9 500 *	34,9	63,9	9 200	38,8	66,0	8 700	44,0
46,0	23,2	56,0	8 900 *	30,2	60,7	8 600	34,6	63,3	8 100	46,0
48,0	15,7	50,4	8 400 *	24,8	56,9	8 100	29,8	60,2	7 600	48,0
50,0				17,9	51,8	7 600	24,3	56,3	7 200	50,0
52,0							17,3	51,0	6 700	52,0
54,0										54,0
56,0										56,0
58,0										58,0
60,0										60,0
62,0										62,0

MLC165 S-2

ASME B30.5



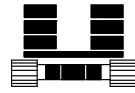
55 110 kg
+
16 010 kg



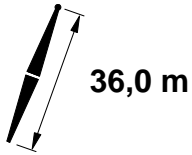
	75°			70°			65°			
	m	m	kg	m	m	kg	m	m	kg	m
16,8										16,8
18,0										18,0
20,0										20,0
22,0										22,0
24,0										24,0
26,0										26,0
28,0										28,0
30,0										30,0
32,0										32,0
34,0	60,4	76,4	11 400							34,0
36,0	57,4	75,2	10 600							36,0
38,0	54,4	73,9	9 800							38,0
40,0	51,3	72,3	9 100	55,9	73,5	8 200				40,0
42,0	48,0	70,6	8 400	52,8	72,1	7 600				42,0
44,0	44,5	68,7	7 900	49,6	70,5	7 100				44,0
46,0	40,8	66,6	7 400	46,2	68,7	6 600	51,0	70,0	5 900	46,0
48,0	36,8	64,1	6 900	42,7	66,7	6 200	47,7	68,3	5 500	48,0
50,0	32,4	61,2	6 500	38,8	64,3	5 800	44,3	66,3	5 100	50,0
52,0	27,4	57,7	6 100	34,6	61,7	5 400	40,5	64,1	4 800	52,0
54,0	21,3	53,3	5 700	29,9	58,5	5 100	36,5	61,6	4 500	54,0
56,0	12,7	46,7	5 300	24,4	54,6	4 800	32,1	58,7	4 200	56,0
58,0				17,4	49,4	4 500	27,0	55,2	3 900	58,0
60,0							20,8	50,6	3 600	60,0
62,0							11,8	43,8	3 400	62,0

MLC165 S-2

ASME B30.5



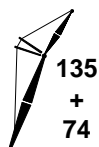
55 110 kg
+
16 010 kg



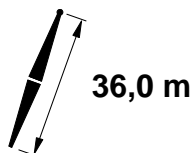
m	87°			83°			80°			m
	m	m	kg	m	m	kg	m	m	kg	
16,8	74,8	85,1	17 000 *b							16,8
18,0	73,3	84,7	16 700 *b							18,0
20,0	70,8	84,1	16 400 *b							20,0
22,0	68,3	83,3	15 700 *							22,0
24,0	65,8	82,5	14 900 *	69,0	83,2	15 900 *				24,0
26,0	63,2	81,5	14 200 *	66,4	82,4	15 200 *				26,0
28,0	60,5	80,4	13 300 *	63,8	81,5	14 400 *	66,2	82,1	15 000 *	28,0
30,0	57,8	79,3	12 600 *	61,2	80,5	13 700 *	63,6	81,1	14 300 *	30,0
32,0	54,9	77,9	11 900 *	58,5	79,3	12 900 *	61,0	80,1	13 400 *	32,0
34,0	52,0	76,4	11 200 *	55,7	78,0	12 200 *	58,3	78,9	12 400 *	34,0
36,0	49,0	74,8	10 500 *	52,8	76,6	11 500 *	55,5	77,6	11 400 *	36,0
38,0	45,8	72,9	9 900 *	49,7	75,0	10 800 *	52,5	76,1	10 600 *	38,0
40,0	42,4	70,9	9 300 *	46,6	73,2	10 200 *	49,5	74,5	9 800 *	40,0
42,0	38,8	68,6	8 700 *	43,3	71,2	9 500 *	46,4	72,7	9 200 *	42,0
44,0	34,9	65,9	8 200 *	39,7	68,9	8 900 *	43,0	70,7	8 600 *	44,0
46,0	30,5	62,8	7 700 *	35,9	66,3	8 400 *	39,5	68,4	8 000 *	46,0
48,0	25,5	59,0	7 200 *	31,7	63,3	7 900 *	35,6	65,8	7 500 *	48,0
50,0	19,4	54,2	6 800 *	26,8	59,8	7 400 *	31,3	62,8	7 100 *	50,0
52,0				21,1	55,2	7 000 *	26,5	59,2	6 600 *	52,0
54,0				13,0	48,7	6 600 *	20,6	54,6	6 200 *	54,0
56,0							12,3	47,8	5 800	56,0
58,0										58,0
60,0										60,0
62,0										62,0
64,0										64,0

MLC165 S-2

ASME B30.5



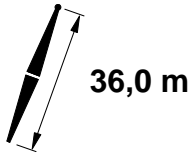
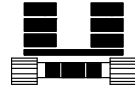
55 110 kg
+
16 010 kg



m	75°			70°			65°			m
	m	m	kg	m	m	kg	m	m	kg	
16,8										16,8
18,0										18,0
20,0										20,0
22,0										22,0
24,0										24,0
26,0										26,0
28,0										28,0
30,0										30,0
32,0										32,0
34,0										34,0
36,0	59,7	78,8	10 400							36,0
38,0	56,9	77,6	9 600							38,0
40,0	54,1	76,2	8 900							40,0
42,0	51,1	74,7	8 300	55,5	75,9	7 500				42,0
44,0	48,0	72,9	7 800	52,6	74,4	6 900				44,0
46,0	44,8	71,0	7 200	49,6	72,8	6 500				46,0
48,0	41,4	68,9	6 800	46,4	71,0	6 100	50,9	72,3	5 300	48,0
50,0	37,7	66,5	6 400	43,1	69,0	5 600	47,8	70,6	4 900	50,0
52,0	33,6	63,7	5 900	39,5	66,7	5 300	44,6	68,6	4 600	52,0
54,0	29,1	60,4	5 600	35,7	64,1	4 900	41,1	66,5	4 300	54,0
56,0	23,9	56,4	5 200	31,4	61,1	4 600	37,4	64,0	4 000	56,0
58,0	17,1	51,1	4 900	26,6	57,5	4 300	33,3	61,2	3 700	58,0
60,0				20,7	52,9	4 000	28,8	57,9	3 500	60,0
62,0				12,4	46,2	3 800	23,4	53,8	3 300	62,0
64,0							16,6	48,3	3 000	64,0

MLC165 S-2

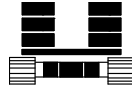
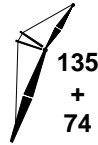
ASME B30.5



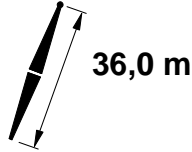
m	87°			83°			80°			m
	m	m	kg	m	m	kg	m	m	kg	
18,3	74,0	87,8	15 300 *b							18,3
20,0	72,0	87,3	15 000 *b							20,0
22,0	69,7	86,6	14 500 *							22,0
24,0	67,3	85,8	13 700 *							24,0
26,0	64,9	84,9	12 900 *	67,9	85,7	13 900 *				26,0
28,0	62,4	83,9	12 200 *	65,5	84,9	13 200 *				28,0
30,0	59,9	82,8	11 500 *	63,0	83,9	12 500 *	65,3	84,5	13 000 *	30,0
32,0	57,3	81,6	10 800 *	60,5	82,8	11 700 *	62,8	83,5	12 400 *	32,0
34,0	54,6	80,2	10 100 *	57,9	81,6	11 100 *	60,3	82,4	11 700 *	34,0
36,0	51,8	78,7	9 500 *	55,3	80,3	10 400 *	57,7	81,2	11 000 *	36,0
38,0	49,0	77,1	8 900 *	52,5	78,9	9 700 *	55,1	79,9	10 400 *	38,0
40,0	46,0	75,3	8 300 *	49,7	77,3	9 100 *	52,3	78,4	9 800 *	40,0
42,0	42,8	73,2	7 700 *	46,7	75,5	8 500 *	49,5	76,8	9 100 *	42,0
44,0	39,4	70,9	7 300 *	43,6	73,5	8 000 *	46,5	75,0	8 400 *	44,0
46,0	35,8	68,3	6 700 *	40,3	71,3	7 400 *	43,4	73,0	7 900 *	46,0
48,0	31,9	65,3	6 200 *	36,8	68,7	6 900 *	40,1	70,8	7 400 *	48,0
50,0	27,4	61,8	5 700 *	32,9	65,9	6 400 *	36,5	68,2	7 000 *	50,0
52,0	22,1	57,5	5 200 *	28,6	62,5	5 800 *	32,6	65,3	6 500 *	52,0
54,0	15,2	51,6	4 700 *	23,5	58,4	5 300 *	28,2	61,9	5 800 *	54,0
56,0				17,1	53,0	4 800 *	23,1	57,8	5 300 *	56,0
58,0							16,6	52,2	4 800 *	58,0
60,0										60,0
62,0										62,0
64,0										64,0

MLC165 S-2

ASME B30.5



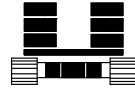
55 110 kg
+
16 010 kg



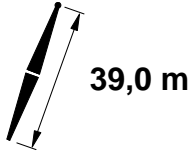
m	75°			70°			m
	m	m	kg	m	m	kg	
18,3							18,3
20,0							20,0
22,0							22,0
24,0							24,0
26,0							26,0
28,0							28,0
30,0							30,0
32,0							32,0
34,0							34,0
36,0	61,7	82,3	10 300				36,0
38,0	59,1	81,1	9 500				38,0
40,0	56,5	79,9	8 800				40,0
42,0	53,8	78,5	8 200				42,0
44,0	51,0	77,0	7 600	55,1	78,2	6 800	44,0
46,0	48,1	75,2	7 100	52,4	76,7	6 300	46,0
48,0	45,1	73,4	6 700	49,5	75,1	5 900	48,0
50,0	41,8	71,2	6 200	46,6	73,3	5 500	50,0
52,0	38,4	68,9	5 900	43,4	71,3	5 200	52,0
54,0	34,7	66,2	5 500	40,1	69,1	4 800	54,0
56,0	30,6	63,1	5 100	36,6	66,5	4 500	56,0
58,0	25,9	59,3	4 800	32,7	63,6	4 200	58,0
60,0	20,3	54,6	4 500	28,3	60,2	4 000	60,0
62,0	12,4	47,8	4 200	23,2	56,1	3 700	62,0
64,0				16,7	50,6	3 400	64,0




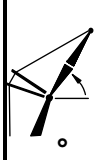
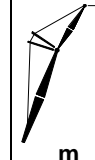




MLC165 S-2

ASME B30.5



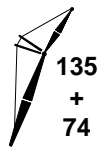
55 110 kg
+
16 010 kg



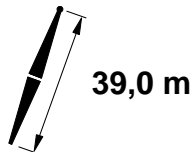
	87°			83°			80°			
	 m	 m	 kg	 m	 kg	 m	 m	 kg	 m	
9,8	74,8	61,6	40 700 *d						9,8	
10,0	74,1	61,5	40 700 *d						10,0	
12,0	68,4	60,8	40 700 *c						12,0	
14,0	62,5	59,9	37 300 *c						14,0	
16,0	56,2	58,8	33 700 *c	64,6	60,0	35 900 c			16,0	
18,0	49,5	57,2	30 200 *b	58,5	58,9	30 900 b			18,0	
20,0	42,0	55,3	27 500 *b	52,0	57,5	27 000 b	58,6	58,6	25 800 b	20,0
22,0	33,2	52,7	25 300	44,8	55,8	23 900	52,0	57,2	22 900 b	22,0
24,0	21,5	48,8	22 600	36,5	53,4	21 400	44,8	55,4	20 500	24,0
26,0				26,2	50,1	19 300	36,6	53,1	18 500	26,0
28,0							26,3	49,8	16 800	28,0
30,0										30,0
32,0										32,0
34,0										34,0
36,0										36,0
38,0										38,0

MLC165 S-2

ASME B30.5



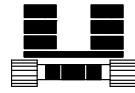
55 110 kg
+
16 010 kg



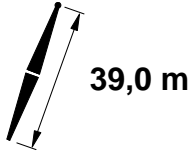
	75°			70°			65°			
	m	m	kg	m	m	kg	m	m	kg	m
9,8										9,8
10,0										10,0
12,0										12,0
14,0										14,0
16,0										16,0
18,0										18,0
20,0										20,0
22,0										22,0
24,0	56,4	57,4	18 900 b							24,0
26,0	49,6	55,8	17 100							26,0
28,0	42,1	53,9	15 500	53,8	55,7	14 300 b				28,0
30,0	33,4	51,3	14 200	46,8	54,1	13 000				30,0
32,0	21,7	47,5	13 000	39,0	51,9	11 900	50,8	53,7	10 900	32,0
34,0				29,4	49,0	11 000	43,5	51,8	10 000	34,0
36,0				15,2	44,1	10 100	35,0	49,4	9 200	36,0
38,0							24,1	45,9	8 600	38,0




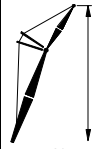


MLC165 S-2

ASME B30.5



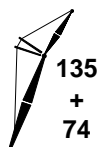
55 110 kg
+
16 010 kg



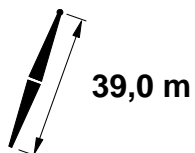
	87°			83°			80°			
	 m	 m	kg	 m	 m	kg	 m	 m	kg	
11,0	73,7	64,4	37 200 *d							11,0
12,0	71,2	64,1	37 200 *d							12,0
14,0	66,2	63,3	35 700 *c							14,0
16,0	60,9	62,3	32 600 *c	68,0	63,3	34 900 c				16,0
18,0	55,4	61,1	29 900 *b	62,8	62,4	30 900 b				18,0
20,0	49,4	59,5	27 300 *b	57,4	61,3	26 900 b	62,8	62,1	25 700 b	20,0
22,0	42,9	57,6	25 000	51,6	59,8	23 800	57,4	60,9	22 700 b	22,0
24,0	35,5	55,2	22 600	45,3	58,1	21 300	51,6	59,5	20 300	24,0
26,0	26,3	51,8	20 400	38,3	55,8	19 200	45,4	57,7	18 400	26,0
28,0				29,9	52,9	17 500	38,3	55,5	16 700	28,0
30,0				18,3	48,4	16 000	29,9	52,6	15 300	30,0
32,0							18,5	48,1	14 000	32,0
34,0										34,0
36,0										36,0
38,0										38,0
40,0										40,0
42,0										42,0

MLC165 S-2

ASME B30.5



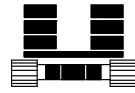
55 110 kg
+
16 010 kg



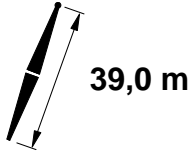
	75°			70°			65°			
m	m	m	kg	m	m	kg	m	m	kg	m
11,0										11,0
12,0										12,0
14,0										14,0
16,0										16,0
18,0										18,0
20,0										20,0
22,0										22,0
24,0										24,0
26,0	55,5	59,7	16 900							26,0
28,0	49,5	58,1	15 400							28,0
30,0	43,0	56,2	14 000	53,2	58,0	12 800				30,0
32,0	35,6	53,8	12 900	47,1	56,4	11 800				32,0
34,0	26,5	50,5	11 900	40,3	54,3	10 800	50,6	56,0	9 800	34,0
36,0				32,4	51,6	10 000	44,2	54,2	9 100	36,0
38,0				22,1	47,7	9 300	37,0	51,8	8 400	38,0
40,0							28,3	48,7	7 800	40,0
42,0							15,7	43,8	7 200	42,0



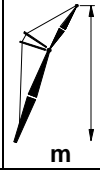


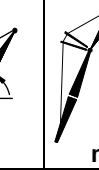
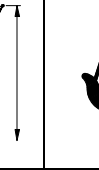


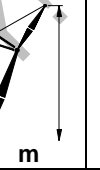
MLC165 S-2

ASME B30.5



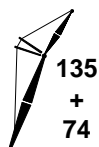
55 110 kg
+
16 010 kg



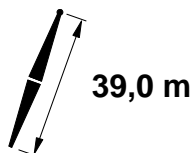
	87°			83°			80°				
	 m	 °	 m	 kg	 °	 m	 kg	 °	 m		 kg
11,6	74,3	67,4	34 000 *d								11,6
12,0	73,4	67,3	34 000 *d								12,0
14,0	68,9	66,6	33 700 *c								14,0
16,0	64,4	65,8	31 800 *c								16,0
18,0	59,7	64,7	29 200 *b	66,0	65,8	30 500 b					18,0
20,0	54,7	63,4	27 000 *b	61,4	64,8	26 800 b	66,1	65,5	25 600 b		20,0
22,0	49,4	61,8	24 800 *	56,5	63,6	23 700	61,4	64,5	22 600 b		22,0
24,0	43,6	59,9	22 600	51,3	62,1	21 200	56,5	63,3	20 300		24,0
26,0	37,2	57,6	20 400	45,7	60,4	19 200	51,4	61,8	18 300		26,0
28,0	29,6	54,6	18 500	39,6	58,2	17 400	45,8	60,1	16 600		28,0
30,0	19,5	50,2	16 900	32,5	55,5	15 900	39,6	57,9	15 200		30,0
32,0				23,6	51,7	14 600	32,5	55,1	14 000		32,0
34,0							23,6	51,4	12 900		34,0
36,0											36,0
38,0											38,0
40,0											40,0
42,0											42,0
44,0											44,0

MLC165 S-2

ASME B30.5



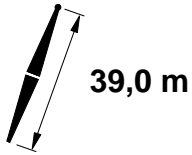
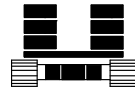
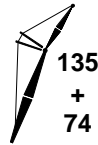
55 110 kg
+
16 010 kg



	75°			70°			65°			
	m	m	kg	m	m	kg	m	m	kg	
11,6										11,6
12,0										12,0
14,0										14,0
16,0										16,0
18,0										18,0
20,0										20,0
22,0										22,0
24,0										24,0
26,0	59,7	63,3	16 800							26,0
28,0	54,8	62,0	15 300							28,0
30,0	49,5	60,4	13 900							30,0
32,0	43,7	58,6	12 800	52,8	60,4	11 700				32,0
34,0	37,3	56,2	11 800	47,3	58,7	10 800				34,0
36,0	29,7	53,2	10 900	41,4	56,6	9 900	50,4	58,3	9 000	36,0
38,0	19,7	48,9	10 100	34,6	54,1	9 200	44,8	56,5	8 300	38,0
40,0				26,3	50,7	8 500	38,5	54,2	7 700	40,0
42,0				14,2	45,2	7 900	31,2	51,4	7 200	42,0
44,0							21,8	47,3	6 700	44,0

MLC165 S-2

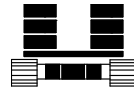
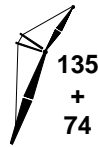
ASME B30.5



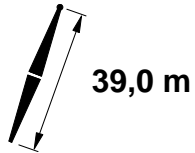
m	87°			83°			80°			m
	m	m	kg	m	m	kg	m	m	kg	
12,2	74,7	70,4	31 300 *d							12,2
14,0	71,1	69,9	31 100 *c							14,0
16,0	67,1	69,1	30 500 *c							16,0
18,0	63,0	68,2	28 300 *b							18,0
20,0	58,7	67,0	26 300 *b	64,5	68,2	26 600 b				20,0
22,0	54,1	65,7	24 400 *	60,2	67,2	23 600	64,5	67,9	22 500 b	22,0
24,0	49,4	64,1	22 400	55,8	65,9	21 100	60,2	66,8	20 100	24,0
26,0	44,2	62,3	20 300	51,1	64,4	19 000	55,8	65,6	18 100	26,0
28,0	38,5	60,0	18 400	46,1	62,7	17 300	51,1	64,1	16 500	28,0
30,0	32,0	57,2	16 800	40,6	60,6	15 800	46,1	62,4	15 100	30,0
32,0	24,0	53,4	15 500	34,4	58,0	14 600	40,6	60,2	13 800	32,0
34,0				27,1	54,6	13 400	34,5	57,6	12 800	34,0
36,0				17,0	49,6	12 400	27,1	54,3	11 800	36,0
38,0							17,1	49,4	10 900	38,0
40,0										40,0
42,0										42,0
44,0										44,0
46,0										46,0
48,0										48,0

MLC165 S-2

ASME B30.5



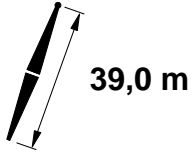
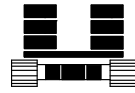
55 110 kg
+
16 010 kg



m	75°			70°			65°			m
	m	m	kg	m	m	kg	m	m	kg	
12,2										12,2
14,0										14,0
16,0										16,0
18,0										18,0
20,0										20,0
22,0										22,0
24,0										24,0
26,0										26,0
28,0	58,7	65,6	15 100							28,0
30,0	54,2	64,3	13 800							30,0
32,0	49,4	62,8	12 700	57,0	64,1	11 500				32,0
34,0	44,3	60,9	11 700	52,4	62,7	10 600				34,0
36,0	38,6	58,6	10 800	47,5	61,0	9 800				36,0
38,0	32,1	55,8	10 000	42,2	59,0	9 100				38,0
40,0	24,1	52,0	9 300	36,2	56,5	8 400	45,2	58,8	7 500	40,0
42,0				29,3	53,4	7 800	39,6	56,6	7 000	42,0
44,0				20,3	49,1	7 300	33,3	53,9	6 500	44,0
46,0							25,7	50,4	6 100	46,0
48,0							14,8	44,9	5 600	48,0

MLC165 S-2

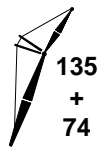
ASME B30.5



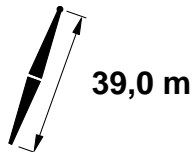
m	87°			83°			80°			m
	m	m	kg	m	m	kg	m	m	kg	
13,7	73,4	73,1	28 800 *c							13,7
14,0	72,9	73,1	28 700 *c							14,0
16,0	69,3	72,4	28 300 *c							16,0
18,0	65,6	71,5	27 100 *b							18,0
20,0	61,8	70,6	25 300 *b	66,9	71,6	26 600 b				20,0
22,0	57,8	69,4	23 500 *	63,1	70,6	23 500				22,0
24,0	53,7	68,0	21 700 *	59,2	69,5	21 000	63,2	70,3	20 100	24,0
26,0	49,3	66,4	20 000 *	55,2	68,3	19 000	59,3	69,2	18 100	26,0
28,0	44,6	64,6	18 300 *	50,9	66,7	17 300	55,2	67,9	16 500	28,0
30,0	39,5	62,4	16 800 *	46,3	65,0	15 800	50,9	66,4	15 000	30,0
32,0	33,8	59,7	15 400 *	41,4	62,9	14 600	46,4	64,7	13 800	32,0
34,0	27,1	56,3	14 100 *	35,9	60,4	13 400	41,4	62,6	12 800	34,0
36,0	18,2	51,5	13 000 *	29,6	57,3	12 400	36,0	60,1	11 800	36,0
38,0				21,7	53,1	11 600	29,7	57,0	11 000	38,0
40,0							21,8	52,8	10 200	40,0
42,0										42,0
44,0										44,0
46,0										46,0
48,0										48,0
50,0										50,0

MLC165 S-2

ASME B30.5



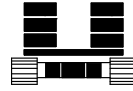
55 110 kg
+
16 010 kg



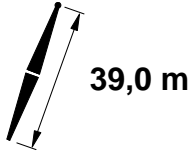
	75°			70°			65°			
	m	m	kg	m	m	kg	m	m	kg	m
13,7										13,7
14,0										14,0
16,0										16,0
18,0										18,0
20,0										20,0
22,0										22,0
24,0										24,0
26,0										26,0
28,0	61,8	69,2	15 100							28,0
30,0	57,9	68,0	13 800							30,0
32,0	53,8	66,6	12 600							32,0
34,0	49,4	65,1	11 700	56,3	66,4	10 500				34,0
36,0	44,7	63,2	10 700	52,1	65,0	9 700				36,0
38,0	39,6	61,0	10 000	47,6	63,3	9 100				38,0
40,0	33,9	58,3	9 300	42,8	61,3	8 400	50,2	62,9	7 500	40,0
42,0	27,2	54,9	8 700	37,5	58,9	7 800	45,6	61,1	7 000	42,0
44,0	18,4	50,2	8 100	31,5	56,0	7 300	40,6	59,0	6 500	44,0
46,0				24,2	52,2	6 800	35,0	56,4	6 100	46,0
48,0				13,6	46,4	6 300	28,5	53,1	5 700	48,0
50,0							20,2	48,7	5 300	50,0

MLC165 S-2

ASME B30.5



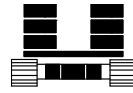
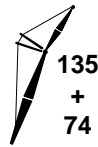
55 110 kg
+
16 010 kg



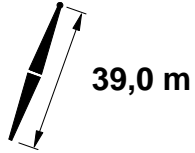
m	87°			83°			80°			m
	m	m	kg	m	m	kg	m	m	kg	
13,7	74,8	76,3	22 400 *c							13,7
14,0	74,4	76,2	22 400 *c							14,0
16,0	71,1	75,6	21 900 *c							16,0
18,0	67,7	74,9	21 300 *b							18,0
20,0	64,3	74,0	20 900 *b	68,9	74,9	21 700 *				20,0
22,0	60,8	72,9	20 400 *	65,5	74,0	21 400 *				22,0
24,0	57,1	71,7	19 900 *	62,0	73,0	20 700	65,6	73,7	19 900	24,0
26,0	53,3	70,3	18 700 *	58,4	71,9	18 900	62,1	72,7	18 000	26,0
28,0	49,3	68,7	17 400 *	54,7	70,6	17 200	58,5	71,6	16 300	28,0
30,0	45,0	66,9	16 100 *	50,7	69,0	15 700	54,7	70,2	14 900	30,0
32,0	40,4	64,7	14 800 *	46,6	67,3	14 400	50,8	68,7	13 700	32,0
34,0	35,3	62,1	13 700 *	42,1	65,2	13 300	46,6	67,0	12 600	34,0
36,0	29,4	59,0	12 700 *	37,2	62,8	12 300	42,1	64,9	11 700	36,0
38,0	22,2	54,9	11 800 *	31,6	59,9	11 500	37,2	62,5	10 800	38,0
40,0				25,0	56,2	10 600	31,7	59,6	10 100	40,0
42,0				16,1	50,9	9 900	25,1	55,9	9 400	42,0
44,0							16,2	50,6	8 800	44,0
46,0										46,0
48,0										48,0
50,0										50,0
52,0										52,0
54,0										54,0

MLC165 S-2

ASME B30.5



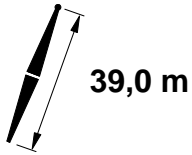
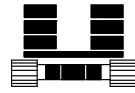
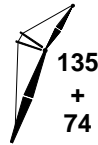
55 110 kg
+
16 010 kg



	75°			70°			65°			
	m	m	kg	m	m	kg	m	m	kg	m
13,7										13,7
14,0										14,0
16,0										16,0
18,0										18,0
20,0										20,0
22,0										22,0
24,0										24,0
26,0										26,0
28,0										28,0
30,0	60,8	71,5	13 600							30,0
32,0	57,2	70,3	12 500							32,0
34,0	53,4	68,9	11 500							34,0
36,0	49,4	67,4	10 600	55,7	68,7	9 600				36,0
38,0	45,1	65,5	9 800	51,9	67,3	8 900				38,0
40,0	40,5	63,3	9 200	47,7	65,6	8 200				40,0
42,0	35,4	60,8	8 500	43,4	63,6	7 700	50,1	65,2	6 800	42,0
44,0	29,5	57,6	8 000	38,6	61,3	7 100	45,9	63,4	6 300	44,0
46,0	22,4	53,5	7 400	33,2	58,6	6 600	41,3	61,3	5 900	46,0
48,0				27,0	55,1	6 200	36,3	58,8	5 500	48,0
50,0				19,0	50,4	5 800	30,6	55,8	5 100	50,0
52,0							23,8	51,9	4 800	52,0
54,0							14,1	46,1	4 500	54,0

MLC165 S-2

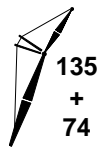
ASME B30.5



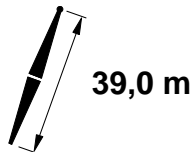
m	87°			83°			80°			m
	m	m	kg	m	m	kg	m	m	kg	
15,2	73,7	79,0	20 700 *c							15,2
16,0	72,6	78,8	20 600 *c							16,0
18,0	69,5	78,1	20 100 *b							18,0
20,0	66,4	77,3	19 700 *b	70,6	78,1	20 300 *				20,0
22,0	63,2	76,4	19 300 *	67,5	77,3	20 100 *				22,0
24,0	59,9	75,3	18 800 *	64,4	76,4	19 800 *				24,0
26,0	56,5	74,1	17 700 *	61,1	75,4	18 800	64,4	76,1	17 800	26,0
28,0	53,0	72,7	16 600 *	57,7	74,2	17 000	61,1	75,1	16 200	28,0
30,0	49,3	71,0	15 400 *	54,3	72,9	15 600	57,8	73,9	14 800	30,0
32,0	45,3	69,2	14 400 *	50,6	71,4	14 300	54,3	72,6	13 600	32,0
34,0	41,1	67,1	13 400 *	46,8	69,6	13 200	50,6	71,0	12 500	34,0
36,0	36,5	64,6	12 400 *	42,6	67,6	12 200	46,8	69,3	11 600	36,0
38,0	31,3	61,6	11 600 *	38,2	65,2	11 400	42,7	67,2	10 700	38,0
40,0	25,2	57,9	10 700 *	33,2	62,4	10 600	38,2	64,9	10 000	40,0
42,0	17,2	52,7	10 100 *	27,5	59,0	9 900	33,3	62,1	9 300	42,0
44,0				20,4	54,5	9 200	27,6	58,7	8 700	44,0
46,0							20,4	54,2	8 200	46,0
48,0										48,0
50,0										50,0
52,0										52,0
54,0										54,0
56,0										56,0

MLC165 S-2

ASME B30.5



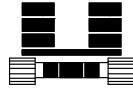
55 110 kg
+
16 010 kg



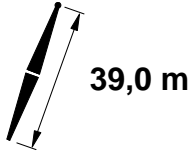
m	75°			70°			65°			m
	m	m	kg	m	m	kg	m	m	kg	
15,2										15,2
16,0										16,0
18,0										18,0
20,0										20,0
22,0										22,0
24,0										24,0
26,0										26,0
28,0										28,0
30,0										30,0
32,0	60,0	73,9	12 300							32,0
34,0	56,6	72,7	11 300							34,0
36,0	53,0	71,3	10 500							36,0
38,0	49,3	69,7	9 700	55,2	71,1	8 700				38,0
40,0	45,4	67,8	9 000	51,6	69,6	8 100				40,0
42,0	41,2	65,7	8 500	47,8	67,9	7 500				42,0
44,0	36,6	63,2	7 900	43,8	65,9	7 000	50,0	67,5	6 200	44,0
46,0	31,4	60,2	7 400	39,5	63,7	6 600	46,1	65,7	5 800	46,0
48,0	25,3	56,5	6 900	34,7	61,0	6 100	41,9	63,6	5 400	48,0
50,0	17,4	51,4	6 400	29,2	57,8	5 700	37,4	61,2	5 000	50,0
52,0				22,6	53,7	5 400	32,4	58,4	4 700	52,0
54,0				13,1	47,5	5 000	26,5	54,8	4 400	54,0
56,0							19,0	50,0	4 100	56,0

MLC165 S-2

ASME B30.5



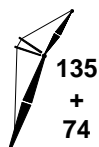
55 110 kg
+
16 010 kg



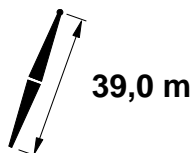
m	87°			83°			80°			m
	m	m	kg	m	m	kg	m	m	kg	
15,2	74,9	82,2	19 400 *c							15,2
16,0	73,9	82,0	19 300 *c							16,0
18,0	71,1	81,4	18 800 *b							18,0
20,0	68,2	80,6	18 500 *b							20,0
22,0	65,3	79,8	18 100 *	69,2	80,6	18 600 *				22,0
24,0	62,3	78,8	17 500 *	66,3	79,8	18 400 *				24,0
26,0	59,2	77,7	16 600 *	63,3	78,9	18 100	66,3	79,5	17 700	26,0
28,0	56,0	76,4	15 600 *	60,3	77,8	17 000	63,4	78,5	16 000	28,0
30,0	52,7	75,0	14 700 *	57,2	76,6	15 500	60,3	77,5	14 600	30,0
32,0	49,3	73,3	13 800 *	53,9	75,2	14 200	57,2	76,2	13 400	32,0
34,0	45,6	71,5	12 900 *	50,5	73,7	13 100	53,9	74,9	12 400	34,0
36,0	41,7	69,4	12 100 *	46,9	71,9	12 100	50,5	73,3	11 500	36,0
38,0	37,5	67,0	11 300 *	43,1	69,9	11 200	46,9	71,6	10 600	38,0
40,0	32,8	64,2	10 500 *	39,0	67,6	10 500	43,2	69,6	9 900	40,0
42,0	27,5	60,7	9 800 *	34,6	64,9	9 800	39,1	67,3	9 200	42,0
44,0	20,9	56,3	9 200 *	29,5	61,7	9 100	34,6	64,6	8 600	44,0
46,0				23,5	57,7	8 500	29,5	61,4	8 000	46,0
48,0				15,4	52,0	8 000	23,5	57,4	7 500	48,0
50,0							15,4	51,8	7 100	50,0
52,0										52,0
54,0										54,0
56,0										56,0
58,0										58,0
60,0										60,0

MLC165 S-2

ASME B30.5



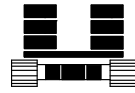
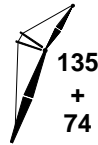
55 110 kg
+
16 010 kg



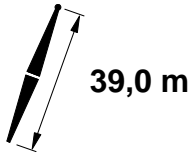
m	75°			70°			65°			m
	m	m	kg	m	m	kg	m	m	kg	
15,2										15,2
16,0										16,0
18,0										18,0
20,0										20,0
22,0										22,0
24,0										24,0
26,0										26,0
28,0										28,0
30,0										30,0
32,0	62,3	77,4	12 200							32,0
34,0	59,2	76,3	11 200							34,0
36,0	56,1	75,0	10 300							36,0
38,0	52,8	73,6	9 600							38,0
40,0	49,3	72,0	8 900	54,8	73,4	7 900				40,0
42,0	45,7	70,1	8 300	51,5	71,9	7 400				42,0
44,0	41,8	68,0	7 700	47,9	70,2	6 900				44,0
46,0	37,6	65,6	7 200	44,2	68,3	6 400	49,9	69,8	5 600	46,0
48,0	32,9	62,8	6 800	40,2	66,1	6 000	46,3	68,0	5 200	48,0
50,0	27,6	59,4	6 300	35,8	63,5	5 600	42,5	66,0	4 900	50,0
52,0	21,1	54,9	5 900	31,0	60,5	5 200	38,3	63,6	4 500	52,0
54,0				25,3	56,7	4 900	33,8	60,9	4 200	54,0
56,0				18,0	51,7	4 600	28,6	57,6	3 900	56,0
58,0							22,3	53,4	3 700	58,0
60,0							13,6	47,2	3 400	60,0

MLC165 S-2

ASME B30.5



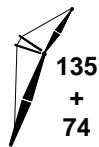
55 110 kg
+
16 010 kg



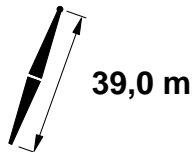
m	87°			83°			80°			m
	m	m	kg	m	m	kg	m	m	kg	
16,8	74,0	84,9	17 800 *b							16,8
18,0	72,4	84,6	17 600 *b							18,0
20,0	69,7	83,9	17 300 *b							20,0
22,0	67,0	83,1	16 900 *							22,0
24,0	64,3	82,2	16 200 *	68,0	83,1	17 100 *				24,0
26,0	61,4	81,2	15 500 *	65,2	82,2	16 700 *				26,0
28,0	58,6	80,0	14 700 *	62,5	81,3	15 900 *	65,3	81,9	16 000	28,0
30,0	55,6	78,7	13 900 *	59,6	80,2	15 100 *	62,5	80,9	14 600	30,0
32,0	52,5	77,3	13 200 *	56,6	78,9	14 100	59,6	79,8	13 400	32,0
34,0	49,2	75,6	12 400 *	53,6	77,5	13 000	56,7	78,6	12 300	34,0
36,0	45,8	73,8	11 700 *	50,4	76,0	12 100	53,6	77,2	11 400	36,0
38,0	42,2	71,7	11 000 *	47,1	74,2	11 200	50,4	75,6	10 600	38,0
40,0	38,4	69,4	10 300 *	43,5	72,2	10 400	47,1	73,9	9 800	40,0
42,0	34,1	66,7	9 700 *	39,8	70,0	9 700	43,6	71,9	9 200	42,0
44,0	29,3	63,4	9 100 *	35,7	67,4	9 100	39,8	69,6	8 600	44,0
46,0	23,7	59,4	8 500 *	31,1	64,3	8 500	35,7	67,1	8 000	46,0
48,0	16,4	53,9	8 100 *	25,8	60,7	8 000	31,1	64,0	7 500	48,0
50,0				19,3	55,9	7 500	25,9	60,4	7 100	50,0
52,0							19,4	55,6	6 600	52,0
54,0										54,0
56,0										56,0
58,0										58,0
60,0										60,0
62,0										62,0
64,0										64,0

MLC165 S-2

ASME B30.5



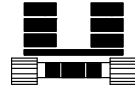
55 110 kg
+
16 010 kg



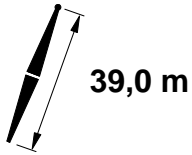
	75°			70°			65°			
m	m	m	kg	m	m	kg	m	m	kg	m
16,8										16,8
18,0										18,0
20,0										20,0
22,0										22,0
24,0										24,0
26,0										26,0
28,0										28,0
30,0										30,0
32,0										32,0
34,0	61,5	79,8	11 100							34,0
36,0	58,6	78,6	10 300							36,0
38,0	55,6	77,3	9 500							38,0
40,0	52,5	75,9	8 900							40,0
42,0	49,3	74,3	8 200	54,4	75,7	7 300				42,0
44,0	45,9	72,4	7 700	51,3	74,2	6 800				44,0
46,0	42,3	70,4	7 200	48,0	72,5	6 300				46,0
48,0	38,4	68,0	6 700	44,5	70,6	5 900				48,0
50,0	34,2	65,3	6 300	40,8	68,4	5 500	49,9	72,1	5 200	50,0
52,0	29,4	62,1	5 900	36,8	65,9	5 200	46,5	70,3	4 800	52,0
54,0	23,8	58,1	5 500	32,4	63,0	4 800	42,9	68,3	4 500	54,0
56,0	16,6	52,6	5 200	27,4	59,6	4 500	39,1	66,0	4 200	56,0
58,0				21,3	55,1	4 200	35,0	63,4	3 900	58,0
60,0				12,8	48,6	3 900	30,3	60,2	3 600	60,0
62,0							24,9	56,4	3 400	62,0
64,0							18,0	51,3	3 100	64,0
							6,0	41,9	2 900	64,0

MLC165 S-2

ASME B30.5



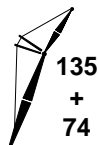
55 110 kg
+
16 010 kg



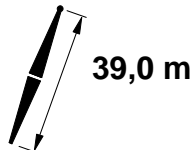
m	87°			83°			80°			m
	m	m	kg	m	m	kg	m	m	kg	
18,3	73,1	87,7	16 300 *b							18,3
20,0	71,0	87,1	15 900 *b							20,0
22,0	68,5	86,4	15 400 *							22,0
24,0	66,0	85,6	14 800 *	69,4	86,4	15 800 *				24,0
26,0	63,4	84,6	14 100 *	66,9	85,6	15 100 *				26,0
28,0	60,7	83,5	13 400 *	64,3	84,7	14 400 *	66,9	85,2	14 900 *	28,0
30,0	58,0	82,4	12 600 *	61,7	83,7	13 700 *	64,3	84,3	14 300	30,0
32,0	55,2	81,0	11 900 *	59,0	82,5	13 000 *	61,7	83,3	13 200	32,0
34,0	52,3	79,6	11 300 *	56,2	81,2	12 300 *	59,0	82,2	12 200	34,0
36,0	49,2	77,9	10 600 *	53,3	79,8	11 600 *	56,2	80,9	11 200	36,0
38,0	46,0	76,1	10 000 *	50,3	78,3	11 000 *	53,3	79,5	10 400	38,0
40,0	42,7	74,1	9 400 *	47,2	76,5	10 300	50,3	77,9	9 700	40,0
42,0	39,1	71,8	8 800 *	43,9	74,5	9 600	47,2	76,2	9 000	42,0
44,0	35,2	69,1	8 300 *	40,4	72,3	9 000	43,9	74,2	8 400	44,0
46,0	30,9	66,0	7 700 *	36,6	69,8	8 400	40,4	72,0	7 900	46,0
48,0	25,9	62,3	7 300 *	32,5	66,9	7 900	36,6	69,5	7 400	48,0
50,0	19,9	57,6	6 900 *	27,8	63,5	7 400	32,5	66,6	6 900	50,0
52,0				22,2	59,2	6 900	27,8	63,2	6 500	52,0
54,0				14,8	53,2	6 500	22,3	58,9	6 100	54,0
56,0							14,9	52,9	5 700	56,0
58,0										58,0
60,0										60,0
62,0										62,0
64,0										64,0

MLC165 S-2

ASME B30.5



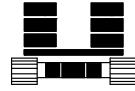
55 110 kg
+
16 010 kg



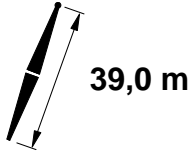
m	75°			70°			m
	m	m	kg	m	m	kg	
18,3							18,3
20,0							20,0
22,0							22,0
24,0							24,0
26,0							26,0
28,0							28,0
30,0							30,0
32,0							32,0
34,0							34,0
36,0	60,8	82,1	10 100				36,0
38,0	58,0	81,0	9 400				38,0
40,0	55,2	79,6	8 700				40,0
42,0	52,3	78,2	8 100				42,0
44,0	49,3	76,6	7 500	54,1	78,0	6 600	44,0
46,0	46,1	74,7	7 000	51,1	76,5	6 200	46,0
48,0	42,7	72,7	6 600	48,1	74,8	5 800	48,0
50,0	39,1	70,4	6 100	44,8	72,9	5 400	50,0
52,0	35,3	67,7	5 800	41,4	70,8	5 000	52,0
54,0	31,0	64,7	5 400	37,7	68,3	4 700	54,0
56,0	26,0	61,0	5 100	33,7	65,5	4 400	56,0
58,0	20,0	56,3	4 700	29,1	62,3	4 100	58,0
60,0				23,9	58,3	3 800	60,0
62,0				17,2	52,9	3 600	62,0
64,0				4,9	42,6	3 300	64,0

MLC165 S-2

ASME B30.5



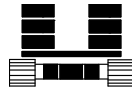
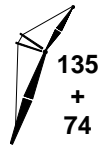
55 110 kg
+
16 010 kg



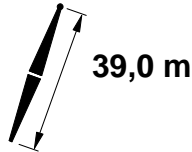
m	87°			83°			80°			m
	m	m	kg	m	m	kg	m	m	kg	
18,3	74,2	90,8	14 700 *b							18,3
20,0	72,2	90,3	14 400 *b							20,0
22,0	69,8	89,7	14 000 *							22,0
24,0	67,5	88,9	13 600 *							24,0
26,0	65,1	88,0	12 900 *	68,3	88,9	13 800 *				26,0
28,0	62,6	87,0	12 200 *	65,9	88,0	13 200 *				28,0
30,0	60,1	85,9	11 500 *	63,5	87,1	12 500 *	65,9	87,7	13 000 *	30,0
32,0	57,5	84,7	10 800 *	61,0	86,0	11 800 *	63,5	86,8	12 400 *	32,0
34,0	54,8	83,4	10 200 *	58,4	84,9	11 200 *	61,0	85,7	11 800 *	34,0
36,0	52,1	81,9	9 600 *	55,8	83,6	10 500 *	58,4	84,5	11 100 *	36,0
38,0	49,2	80,2	8 900 *	53,1	82,1	9 900 *	55,8	83,2	10 300 *	38,0
40,0	46,2	78,4	8 400 *	50,2	80,6	9 300 *	53,1	81,8	9 600 *	40,0
42,0	43,1	76,4	7 800 *	47,3	78,8	8 700 *	50,3	80,2	8 900 *	42,0
44,0	39,7	74,1	7 300 *	44,2	76,9	8 100 *	47,3	78,5	8 300 *	44,0
46,0	36,1	71,6	6 800 *	40,9	74,7	7 500 *	44,2	76,5	7 800 *	46,0
48,0	32,2	68,6	6 300 *	37,4	72,2	7 100 *	41,0	74,4	7 300 *	48,0
50,0	27,8	65,1	5 700 *	33,6	69,4	6 600 *	37,5	71,9	6 800 *	50,0
52,0	22,6	60,9	5 200 *	29,4	66,2	6 000 *	33,7	69,1	6 400 *	52,0
54,0	15,8	55,1	4 700 *	24,5	62,2	5 400 *	29,4	65,8	6 000 *	54,0
56,0				18,5	57,1	4 900 *	24,6	61,9	5 500 *	56,0
58,0							18,5	56,9	5 000 *	58,0
60,0										60,0
62,0										62,0
64,0										64,0
66,0										66,0

MLC165 S-2

ASME B30.5



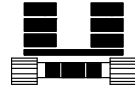
55 110 kg
+
16 010 kg



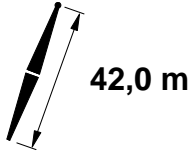
m	75°			70°			m
	m	m	kg	m	m	kg	
18,3							18,3
20,0							20,0
22,0							22,0
24,0							24,0
26,0							26,0
28,0							28,0
30,0							30,0
32,0							32,0
34,0							34,0
36,0							36,0
38,0	60,1	84,5	9 200				38,0
40,0	57,5	83,3	8 600				40,0
42,0	54,9	82,0	7 900				42,0
44,0	52,1	80,5	7 400				44,0
46,0	49,3	78,9	6 900	53,8	80,3	6 100	46,0
48,0	46,3	77,0	6 500	51,0	78,8	5 600	48,0
50,0	43,1	75,0	6 000	48,1	77,1	5 300	50,0
52,0	39,8	72,7	5 600	45,1	75,2	4 900	52,0
54,0	36,2	70,2	5 300	41,9	73,1	4 600	54,0
56,0	32,3	67,2	5 000	38,4	70,7	4 300	56,0
58,0	27,8	63,8	4 700	34,7	68,0	4 000	58,0
60,0	22,6	59,5	4 400	30,6	64,9	3 700	60,0
62,0	16,0	53,8	4 100	25,9	61,2	3 500	62,0
64,0				20,3	56,5	3 300	64,0
66,0				12,5	49,7	3 000	66,0

MLC165 S-2

ASME B30.5



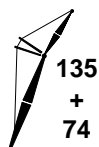
55 110 kg
+
16 010 kg



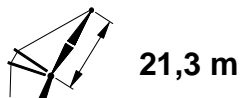
m	87°			83°			80°			m
	m	m	kg	m	m	kg	m	m	kg	
10,4	73,5	64,4	38 900 *d							10,4
12,0	68,9	63,9	38 800 *d							12,0
14,0	63,0	63,0	36 300 *c							14,0
16,0	56,8	61,8	32 700 *c	65,7	63,1	35 200 c				16,0
18,0	50,1	60,4	29 400 *b	59,6	62,1	30 700 b				18,0
20,0	42,6	58,4	26 900 *b	53,2	60,8	26 800 b	60,2	61,8	25 500 b	20,0
22,0	34,0	55,9	24 800	46,1	59,1	23 800	53,8	60,5	22 600 b	22,0
24,0	22,6	52,2	22 700	38,1	56,9	21 300	46,8	58,9	20 200	24,0
26,0				28,3	53,8	19 200	38,9	56,7	18 300	26,0
28,0							29,3	53,8	16 600	28,0
30,0							15,0	48,8	15 100	30,0
32,0										32,0
34,0										34,0
36,0										36,0
38,0										38,0

MLC165 S-2

ASME B30.5



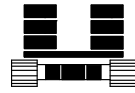
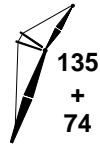
55 110 kg
+
16 010 kg



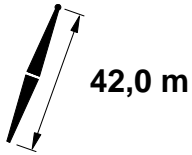
	75°			70°			65°			
	m	m	kg	m	m	kg	m	m	kg	
10,4										10,4
12,0										12,0
14,0										14,0
16,0										16,0
18,0										18,0
20,0										20,0
22,0										22,0
24,0	58,8	60,7	18 500 b							24,0
26,0	52,3	59,4	16 700 b							26,0
28,0	45,1	57,6	15 200							28,0
30,0	37,0	55,3	13 900	50,5	57,8	12 600				30,0
32,0	26,8	52,1	12 700	43,1	55,9	11 600				32,0
34,0				34,6	53,4	10 600	48,2	55,8	9 600	34,0
36,0				23,5	49,8	9 800	40,6	53,7	8 800	36,0
38,0							31,4	51,0	8 100	38,0









MLC165 S-2

ASME B30.5



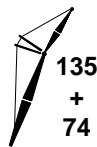
55 110 kg
+
16 010 kg



	87°			83°			80°			
	 m	 m	 kg	 m	 kg	 m	 kg	 m		
11,0	74,1	67,4	35 700 *d						11,0	
12,0	71,6	67,1	35 600 *d						12,0	
14,0	66,6	66,4	34 700 *c						14,0	
16,0	61,3	65,4	31 700 *c	68,9	66,4	33 900 *c			16,0	
18,0	55,8	64,2	29 100 *b	63,8	65,6	30 500 b			18,0	
20,0	49,9	62,7	26 600 *b	58,4	64,5	26 700 b	64,2	65,3	25 400 b	20,0
22,0	43,5	60,8	24 500 *	52,7	63,1	23 600	58,9	64,2	22 400 b	22,0
24,0	36,1	58,4	22 500	46,5	61,4	21 100	53,2	62,9	20 100	24,0
26,0	27,1	55,1	20 400	39,6	59,2	19 100	47,1	61,2	18 100	26,0
28,0				31,5	56,4	17 300	40,2	59,1	16 500	28,0
30,0				20,9	52,4	15 800	32,3	56,4	15 100	30,0
32,0							22,0	52,5	13 800	32,0
34,0										34,0
36,0										36,0
38,0										38,0
40,0										40,0
42,0										42,0

MLC165 S-2

ASME B30.5



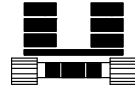
55 110 kg
+
16 010 kg



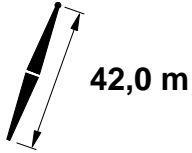
	75°			70°			65°			
	m	m	kg	m	m	kg	m	m	kg	m
11,0										11,0
12,0										12,0
14,0										14,0
16,0										16,0
18,0										18,0
20,0										20,0
22,0										22,0
24,0										24,0
26,0	57,7	63,1	16 500 b							26,0
28,0	51,9	61,7	15 000							28,0
30,0	45,6	59,9	13 700							30,0
32,0	38,6	57,7	12 600	50,3	60,1	11 400				32,0
34,0	30,3	54,8	11 600	43,9	58,2	10 400				34,0
36,0	19,1	50,4	10 700	36,6	55,9	9 700	48,3	58,1	8 600	36,0
38,0				27,8	52,7	9 000	41,7	56,1	8 000	38,0
40,0							34,0	53,5	7 400	40,0
42,0							24,4	49,9	6 800	42,0

MLC165 S-2

ASME B30.5



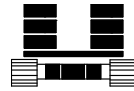
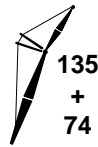
55 110 kg
+
16 010 kg



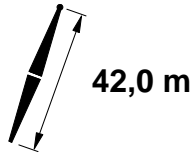
m	87°			83°			80°			m
	m	m	kg	m	m	kg	m	m	kg	
11,6	74,6	70,4	32 700 *d							11,6
12,0	73,7	70,3	32 600 *d							12,0
14,0	69,3	69,7	32 400 *c							14,0
16,0	64,8	68,8	30 900 *c							16,0
18,0	60,0	67,8	28 400 *b	66,9	68,9	30 200 b				18,0
20,0	55,1	66,5	26 200 *b	62,2	68,0	26 600 b	67,2	68,6	25 200 b	20,0
22,0	49,8	65,0	24 200 *b	57,4	66,8	23 500	62,6	67,7	22 300 b	22,0
24,0	44,1	63,1	22 100 *	52,3	65,4	21 100	57,8	66,5	20 000	24,0
26,0	37,7	60,8	20 100 *	46,8	63,7	19 000	52,7	65,2	18 100	26,0
28,0	30,2	57,8	18 300 *	40,8	61,6	17 300	47,3	63,5	16 400	28,0
30,0	20,5	53,6	16 800 *	33,9	59,0	15 800	41,3	61,4	15 000	30,0
32,0				25,4	55,5	14 600	34,5	58,9	13 800	32,0
34,0							26,2	55,4	12 700	34,0
36,0							14,0	50,0	11 700	36,0
38,0										38,0
40,0										40,0
42,0										42,0
44,0										44,0

MLC165 S-2

ASME B30.5



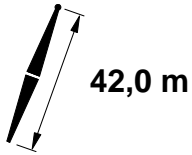
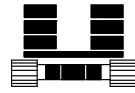
55 110 kg
+
16 010 kg



	75°			70°			65°			
m	m	m	kg	m	m	kg	m	m	kg	m
11,6										11,6
12,0										12,0
14,0										14,0
16,0										16,0
18,0										18,0
20,0										20,0
22,0										22,0
24,0										24,0
26,0	61,6	66,6	16 400 b							26,0
28,0	56,7	65,4	14 900							28,0
30,0	51,6	64,0	13 600							30,0
32,0	46,0	62,2	12 500	55,4	63,9	11 200				32,0
34,0	39,9	60,1	11 500	50,2	62,4	10 400				34,0
36,0	32,8	57,4	10 700	44,5	60,5	9 600				36,0
38,0	24,1	53,7	9 900	38,2	58,3	8 900	48,4	60,4	7 900	38,0
40,0				30,8	55,4	8 200	42,6	58,4	7 300	40,0
42,0				21,2	51,3	7 700	35,9	56,0	6 800	42,0
44,0							28,1	52,8	6 300	44,0

MLC165 S-2

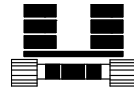
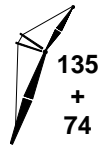
ASME B30.5



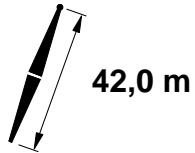
m	87°			83°			80°			m
	m	m	kg	m	m	kg	m	m	kg	
12,2	75,0	73,4	30 100 *d							12,2
14,0	71,4	72,9	29 900 *c							14,0
16,0	67,4	72,1	29 100 *c							16,0
18,0	63,3	71,2	27 100 *b							18,0
20,0	59,0	70,1	25 100 *b	65,2	71,4	26 500 b				20,0
22,0	54,5	68,8	23 200 *b	61,0	70,3	23 400	65,6	71,1	22 200 b	22,0
24,0	49,7	67,3	21 200 *	56,6	69,1	20 900	61,4	70,1	19 900	24,0
26,0	44,6	65,4	19 500 *	52,0	67,7	18 900	57,0	68,9	17 900	26,0
28,0	39,0	63,2	17 800 *	47,0	66,0	17 200	52,4	67,5	16 200	28,0
30,0	32,5	60,4	16 300 *	41,6	63,9	15 700	47,4	65,8	14 900	30,0
32,0	24,7	56,7	14 900 *	35,6	61,4	14 400	42,1	63,8	13 700	32,0
34,0				28,5	58,2	13 300	36,1	61,3	12 600	34,0
36,0				19,2	53,7	12 300	29,2	58,2	11 600	36,0
38,0							20,2	53,8	10 800	38,0
40,0										40,0
42,0										42,0
44,0										44,0
46,0										46,0
48,0										48,0

MLC165 S-2

ASME B30.5



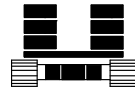
55 110 kg
+
16 010 kg



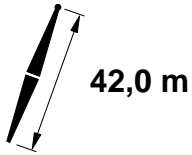
	75°			70°			65°			
	m	m	kg	m	m	kg	m	m	kg	m
12,2										12,2
14,0										14,0
16,0										16,0
18,0										18,0
20,0										20,0
22,0										22,0
24,0										24,0
26,0										26,0
28,0	60,4	69,0	14 800							28,0
30,0	56,0	67,7	13 400							30,0
32,0	51,3	66,3	12 300							32,0
34,0	46,3	64,5	11 400	54,8	66,2	10 200				34,0
36,0	40,9	62,4	10 500	50,1	64,7	9 400				36,0
38,0	34,7	59,8	9 700	45,0	62,9	8 700				38,0
40,0	27,5	56,5	9 100	39,3	60,6	8 100	48,5	62,7	7 100	40,0
42,0	17,6	51,7	8 400	33,0	57,9	7 500	43,2	60,7	6 600	42,0
44,0				25,2	54,3	7 000	37,4	58,4	6 100	44,0
46,0							30,7	55,4	5 700	46,0
48,0							22,3	51,4	5 300	48,0

MLC165 S-2

ASME B30.5



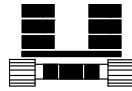
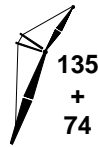
55 110 kg
+
16 010 kg



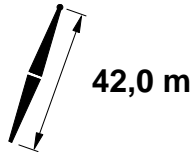
m	87°			83°			80°			m
	m	m	kg	m	m	kg	m	m	kg	
13,7	73,7	76,2	27 700 *c							13,7
14,0	73,2	76,1	27 600 *c							14,0
16,0	69,6	75,4	26 700 *c							16,0
18,0	65,9	74,6	25 200 *b							18,0
20,0	62,1	73,6	23 600 *b	67,6	74,7	26 100 b				20,0
22,0	58,1	72,5	22 000 *b	63,8	73,8	23 400				22,0
24,0	54,0	71,1	20 300 *	60,0	72,7	20 900	64,2	73,5	19 800	24,0
26,0	49,7	69,6	18 800 *	55,9	71,5	18 900	60,3	72,5	17 900	26,0
28,0	45,0	67,7	17 300 *	51,7	70,0	17 100	56,3	71,2	16 200	28,0
30,0	40,0	65,5	15 900 *	47,2	68,3	15 700	52,1	69,8	14 900	30,0
32,0	34,3	62,9	14 600 *	42,3	66,3	14 400	47,6	68,1	13 700	32,0
34,0	27,7	59,6	13 500 *	37,0	63,9	13 300	42,8	66,1	12 600	34,0
36,0	19,0	54,9	12 500 *	30,9	60,9	12 300	37,5	63,7	11 600	36,0
38,0				23,4	57,0	11 500	31,4	60,8	10 800	38,0
40,0							24,1	57,0	10 100	40,0
42,0							13,4	51,1	9 400	42,0
44,0										44,0
46,0										46,0
48,0										48,0
50,0										50,0

MLC165 S-2

ASME B30.5



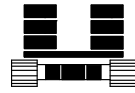
55 110 kg
+
16 010 kg



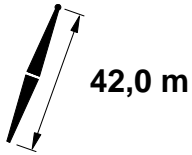
	75°			70°			65°			
	m	m	kg	m	m	kg	m	m	kg	m
13,7										13,7
14,0										14,0
16,0										16,0
18,0										18,0
20,0										20,0
22,0										22,0
24,0										24,0
26,0										26,0
28,0										28,0
30,0	59,4	71,4	13 400							30,0
32,0	55,4	70,1	12 300							32,0
34,0	51,1	68,6	11 300							34,0
36,0	46,6	66,8	10 500	54,3	68,5	9 400				36,0
38,0	41,7	64,8	9 700	50,0	67,0	8 700				38,0
40,0	36,2	62,3	9 100	45,3	65,2	8 100				40,0
42,0	30,0	59,2	8 400	40,3	63,0	7 500	48,5	65,0	6 600	42,0
44,0	22,2	55,1	7 900	34,7	60,4	7 000	43,8	63,1	6 100	44,0
46,0				28,1	57,1	6 600	38,6	60,8	5 700	46,0
48,0				19,7	52,6	6 100	32,7	58,0	5 300	48,0
50,0							25,7	54,4	4 900	50,0

MLC165 S-2

ASME B30.5



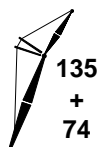
55 110 kg
+
16 010 kg



m	87°			83°			80°			m
	m	m	kg	m	m	kg	m	m	kg	
15,2	72,6	78,9	21 500 *c							15,2
16,0	71,3	78,6	21 400 *c							16,0
18,0	68,0	77,9	20 900 *b							18,0
20,0	64,6	77,0	20 500 *b	69,5	78,0	21 200 *b				20,0
22,0	61,1	76,0	20 000 *	66,2	77,1	21 000 *				22,0
24,0	57,4	74,8	18 900 *	62,7	76,2	20 500				24,0
26,0	53,6	73,4	17 600 *	59,1	75,1	18 700	63,0	75,9	17 700	26,0
28,0	49,6	71,9	16 400 *	55,4	73,8	17 000	59,4	74,8	16 100	28,0
30,0	45,4	70,0	15 200 *	51,5	72,3	15 500	55,7	73,5	14 700	30,0
32,0	40,8	67,9	14 100 *	47,3	70,6	14 300	51,8	72,1	13 500	32,0
34,0	35,7	65,3	13 100 *	42,9	68,6	13 200	47,7	70,4	12 400	34,0
36,0	29,9	62,2	12 100 *	38,1	66,3	12 200	43,3	68,4	11 500	36,0
38,0	22,9	58,2	11 300 *	32,7	63,4	11 300	38,5	66,1	10 700	38,0
40,0				26,3	59,9	10 600	33,2	63,3	9 900	40,0
42,0				18,0	55,0	9 900	26,9	59,9	9 300	42,0
44,0							18,9	55,2	8 700	44,0
46,0										46,0
48,0										48,0
50,0										50,0
52,0										52,0
54,0										54,0

MLC165 S-2

ASME B30.5



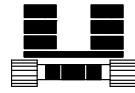
55 110 kg
+
16 010 kg



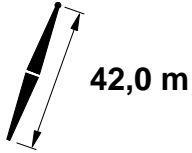
m	75°			70°			65°			m
	m	m	kg	m	m	kg	m	m	kg	
15,2										15,2
16,0										16,0
18,0										18,0
20,0										20,0
22,0										22,0
24,0										24,0
26,0										26,0
28,0										28,0
30,0										30,0
32,0	58,6	73,7	12 200							32,0
34,0	54,9	72,4	11 200							34,0
36,0	50,9	70,9	10 400							36,0
38,0	46,8	69,1	9 600	53,9	70,9	8 500				38,0
40,0	42,3	67,1	8 900	49,9	69,3	7 900				40,0
42,0	37,4	64,7	8 300	45,6	67,5	7 300				42,0
44,0	31,9	61,8	7 800	41,1	65,4	6 800	48,6	67,3	5 900	44,0
46,0	25,4	58,2	7 200	36,1	62,8	6 400	44,2	65,4	5 500	46,0
48,0	16,6	52,9	6 800	30,3	59,8	6 000	39,5	63,1	5 200	48,0
50,0				23,4	55,8	5 600	34,3	60,5	4 800	50,0
52,0							28,3	57,2	4 500	52,0
54,0							20,7	52,8	4 200	54,0

MLC165 S-2

ASME B30.5



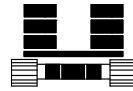
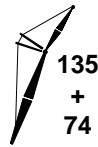
55 110 kg
+
16 010 kg



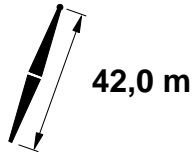
m	87°			83°			80°			m
	m	m	kg	m	m	kg	m	m	kg	
15,2	74,0	82,1	20 200 *c							15,2
16,0	72,8	81,9	20 100 *c							16,0
18,0	69,8	81,2	19 700 *b							18,0
20,0	66,7	80,4	19 300 *b							20,0
22,0	63,5	79,4	18 800 *b	68,1	80,5	19 600 *				22,0
24,0	60,2	78,4	17 800 *	64,9	79,6	19 300 *				24,0
26,0	56,8	77,2	16 700 *	61,7	78,6	18 700	65,2	79,3	17 600	26,0
28,0	53,3	75,8	15 700 *	58,4	77,4	16 900	62,0	78,3	16 000	28,0
30,0	49,6	74,2	14 600 *	54,9	76,1	15 500	58,7	77,2	14 600	30,0
32,0	45,7	72,3	13 700 *	51,3	74,6	14 200	55,2	75,9	13 400	32,0
34,0	41,5	70,2	12 700 *	47,5	72,9	13 100	51,6	74,4	12 300	34,0
36,0	36,9	67,8	11 800 *	43,4	70,9	12 100	47,8	72,7	11 400	36,0
38,0	31,7	64,8	11 000 *	39,0	68,6	11 300	43,8	70,7	10 600	38,0
40,0	25,7	61,2	10 300 *	34,2	66,0	10 500	39,4	68,5	9 800	40,0
42,0	17,9	56,2	9 700 *	28,6	62,7	9 800	34,6	65,8	9 200	42,0
44,0				21,8	58,4	9 200	29,1	62,6	8 600	44,0
46,0							22,5	58,5	8 000	46,0
48,0							13,0	52,2	7 500	48,0
50,0										50,0
52,0										52,0
54,0										54,0
56,0										56,0

MLC165 S-2

ASME B30.5



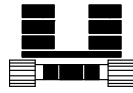
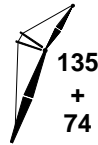
55 110 kg
+
16 010 kg



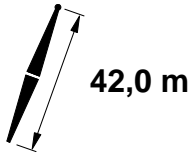
m	75°			70°			65°			m
	m	m	kg	m	m	kg	m	m	kg	
15,2										15,2
16,0										16,0
18,0										18,0
20,0										20,0
22,0										22,0
24,0										24,0
26,0										26,0
28,0										28,0
30,0										30,0
32,0	61,3	77,2	12 000							32,0
34,0	57,9	76,1	11 100							34,0
36,0	54,4	74,7	10 200							36,0
38,0	50,8	73,2	9 500							38,0
40,0	47,0	71,4	8 800	53,5	73,2	7 800				40,0
42,0	42,9	69,4	8 200	49,8	71,6	7 200				42,0
44,0	38,4	67,1	7 700	45,9	69,8	6 700				44,0
46,0	33,5	64,3	7 100	41,7	67,7	6 300	48,6	69,6	5 400	46,0
48,0	27,8	61,0	6 700	37,2	65,3	5 900	44,6	67,7	5 000	48,0
50,0	20,8	56,5	6 300	32,1	62,4	5 500	40,3	65,5	4 700	50,0
52,0				26,1	58,8	5 100	35,6	62,9	4 400	52,0
54,0				18,5	53,9	4 800	30,3	59,9	4 100	54,0
56,0							24,0	56,0	3 800	56,0

MLC165 S-2

ASME B30.5



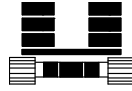
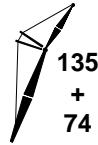
55 110 kg
+
16 010 kg



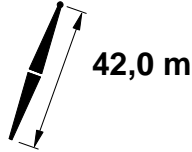
m	87°			83°			80°			m
	m	m	kg	m	m	kg	m	m	kg	
16,8	73,0	84,8	18 600 *b							16,8
18,0	71,3	84,4	18 400 *b							18,0
20,0	68,4	83,7	18 000 *b							20,0
22,0	65,5	82,8	17 400 *b	69,7	83,7	18 200 *				22,0
24,0	62,5	81,8	16 600 *	66,8	82,9	18 000 *				24,0
26,0	59,4	80,7	15 700 *	63,9	82,0	17 800	67,1	82,6	17 400	26,0
28,0	56,3	79,5	14 900 *	60,9	81,0	16 900	64,1	81,7	15 800	28,0
30,0	53,0	78,1	14 000 *	57,7	79,8	15 300	61,1	80,7	14 400	30,0
32,0	49,5	76,5	13 100 *	54,5	78,4	14 100	58,0	79,5	13 200	32,0
34,0	45,9	74,6	12 300 *	51,1	76,9	12 900	54,8	78,2	12 200	34,0
36,0	42,0	72,6	11 500 *	47,6	75,2	12 000	51,4	76,7	11 300	36,0
38,0	37,8	70,2	10 700 *	43,8	73,2	11 100	47,9	75,0	10 500	38,0
40,0	33,2	67,4	10 000 *	39,8	71,0	10 400	44,2	73,1	9 700	40,0
42,0	27,9	64,0	9 400 *	35,4	68,4	9 700	40,2	70,9	9 100	42,0
44,0	21,5	59,6	8 800 *	30,5	65,3	9 000	35,8	68,3	8 400	44,0
46,0				24,7	61,5	8 400	30,9	65,3	7 900	46,0
48,0				17,1	56,3	7 900	25,2	61,5	7 400	48,0
50,0							17,9	56,4	7 000	50,0
52,0										52,0
54,0										54,0
56,0										56,0

MLC165 S-2

ASME B30.5



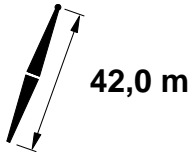
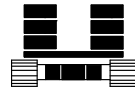
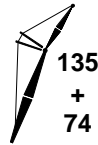
55 110 kg
+
16 010 kg




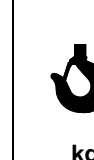

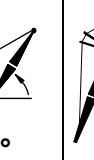






m	75°			70°			m
	m	m	kg	m	m	kg	
16,8							16,8
18,0							18,0
20,0							20,0
22,0							22,0
24,0							24,0
26,0							26,0
28,0							28,0
30,0							30,0
32,0							32,0
34,0	60,4	79,6	10 900				34,0
36,0	57,3	78,4	10 100				36,0
38,0	54,1	77,0	9 300				38,0
40,0	50,7	75,5	8 600	56,5	76,9	7 600	40,0
42,0	47,1	73,7	8 000	53,2	75,5	7 000	42,0
44,0	43,3	71,8	7 500	49,8	73,9	6 500	44,0
46,0	39,2	69,5	7 000	46,1	72,1	6 100	46,0
48,0	34,8	66,8	6 500	42,3	70,0	5 700	48,0
50,0	29,8	63,7	6 100	38,1	67,7	5 300	50,0
52,0	23,8	59,7	5 700	33,5	64,9	5 000	52,0
54,0	15,9	54,1	5 400	28,3	61,6	4 600	54,0
56,0				22,0	57,3	4 300	56,0

MLC165 S-2

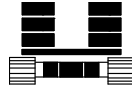
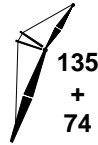
ASME B30.5



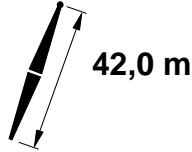
	87°			83°			80°				
	 m	 m	 m	 kg	 m	 kg	 m	 kg	 m		 kg
16,8	74,2	88,0	17 500 *c								16,8
18,0	72,6	87,6	17 200 *b								18,0
20,0	69,9	86,9	16 600 *b								20,0
22,0	67,2	86,2	16 000 *b								22,0
24,0	64,5	85,3	15 400 *	68,5	86,2	16 800 *					24,0
26,0	61,7	84,2	14 700 *	65,7	85,4	16 500 *					26,0
28,0	58,8	83,1	13 900 *	63,0	84,4	15 900 *	66,0	85,1	15 800		28,0
30,0	55,8	81,8	13 200 *	60,1	83,3	15 200	63,2	84,1	14 400		30,0
32,0	52,7	80,4	12 500 *	57,2	82,1	14 000	60,4	83,1	13 200		32,0
34,0	49,5	78,8	11 800 *	54,1	80,7	12 900	57,4	81,9	12 100		34,0
36,0	46,1	76,9	11 100 *	51,0	79,2	11 900	54,4	80,5	11 200		36,0
38,0	42,5	74,9	10 400 *	47,7	77,5	11 100	51,3	79,0	10 400		38,0
40,0	38,7	72,6	9 800 *	44,2	75,6	10 300	48,0	77,3	9 700		40,0
42,0	34,5	69,9	9 200 *	40,5	73,4	9 600	44,5	75,4	9 000		42,0
44,0	29,7	66,7	8 600 *	36,4	70,8	9 000	40,8	73,2	8 400		44,0
46,0	24,2	62,7	8 100 *	32,0	67,9	8 400	36,8	70,7	7 900		46,0
48,0	17,1	57,4	7 700 *	26,9	64,4	7 900	32,4	67,8	7 400		48,0
50,0				20,7	59,8	7 400	27,3	64,3	6 900		50,0
52,0							21,2	59,9	6 500		52,0
54,0							12,6	53,3	6 100		54,0
56,0											56,0
58,0											58,0
60,0											60,0

MLC165 S-2

ASME B30.5



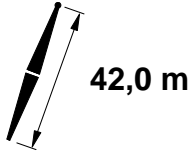
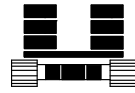
55 110 kg
+
16 010 kg



m	75°			70°			m
	m	m	kg	m	m	kg	
16,8							16,8
18,0							18,0
20,0							20,0
22,0							22,0
24,0							24,0
26,0							26,0
28,0							28,0
30,0							30,0
32,0							32,0
34,0							34,0
36,0	59,7	82,0	10 000				36,0
38,0	56,8	80,7	9 200				38,0
40,0	53,7	79,3	8 600				40,0
42,0	50,6	77,8	8 000	56,0	79,2	7 000	42,0
44,0	47,2	76,0	7 400	52,9	77,8	6 500	44,0
46,0	43,7	74,1	7 000	49,7	76,2	6 100	46,0
48,0	40,0	71,8	6 500	46,3	74,4	5 600	48,0
50,0	35,9	69,3	6 100	42,8	72,4	5 300	50,0
52,0	31,3	66,3	5 700	38,9	70,0	4 900	52,0
54,0	26,1	62,6	5 400	34,7	67,4	4 600	54,0
56,0	19,7	57,9	5 000	30,1	64,2	4 300	56,0
58,0				24,6	60,4	4 000	58,0
60,0				17,6	55,2	3 700	60,0

MLC165 S-2

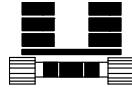
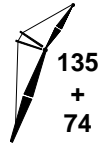
ASME B30.5



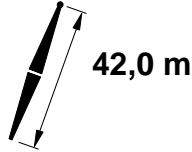
	87°			83°			80°			
	m	m	kg	m	m	kg	m	m	kg	
18,3	73,3	90,7	15 500 *b							18,3
20,0	71,2	90,2	15 100 *b							20,0
22,0	68,7	89,4	14 600 *b							22,0
24,0	66,2	88,6	14 100 *							24,0
26,0	63,6	87,7	13 600 *	67,3	88,7	15 100 *				26,0
28,0	60,9	86,6	13 000 *	64,8	87,8	14 400 *				28,0
30,0	58,2	85,4	12 400 *	62,2	86,8	13 800 *	65,0	87,5	14 100	30,0
32,0	55,4	84,1	11 800 *	59,5	85,7	13 100 *	62,4	86,5	13 000	32,0
34,0	52,5	82,7	11 200 *	56,7	84,4	12 400 *	59,7	85,4	12 000	34,0
36,0	49,5	81,1	10 600 *	53,8	83,1	11 700 *	56,9	84,2	11 100	36,0
38,0	46,3	79,2	10 000 *	50,9	81,5	11 000	54,1	82,8	10 200	38,0
40,0	42,9	77,2	9 400 *	47,8	79,8	10 200	51,1	81,3	9 500	40,0
42,0	39,4	74,9	8 800 *	44,5	77,9	9 500	48,0	79,6	8 900	42,0
44,0	35,5	72,3	8 300 *	41,0	75,7	8 900	44,8	77,7	8 300	44,0
46,0	31,2	69,3	7 800 *	37,3	73,3	8 300	41,3	75,5	7 700	46,0
48,0	26,4	65,6	7 400 *	33,3	70,4	7 800	37,7	73,1	7 300	48,0
50,0	20,4	61,0	6 900 *	28,7	67,1	7 300	33,6	70,3	6 800	50,0
52,0				23,3	63,0	6 900	29,1	67,0	6 400	52,0
54,0				16,4	57,5	6 500	23,8	63,0	6 000	54,0
56,0							17,1	57,7	5 600	56,0
58,0										58,0
60,0										60,0
62,0										62,0
64,0										64,0

MLC165 S-2

ASME B30.5



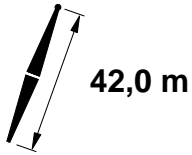
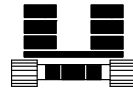
55 110 kg
+
16 010 kg



m	75°			70°			m
	m	m	kg	m	m	kg	
18,3							18,3
20,0							20,0
22,0							22,0
24,0							24,0
26,0							26,0
28,0							28,0
30,0							30,0
32,0							32,0
34,0							34,0
36,0							36,0
38,0	59,1	84,3	9 100				38,0
40,0	56,3	83,1	8 400				40,0
42,0	53,4	81,7	7 800				42,0
44,0	50,5	80,1	7 300	55,6	81,5	6 300	44,0
46,0	47,3	78,3	6 800	52,7	80,1	5 900	46,0
48,0	44,1	76,4	6 400	49,7	78,5	5 500	48,0
50,0	40,6	74,2	6 000	46,5	76,7	5 100	50,0
52,0	36,8	71,7	5 600	43,2	74,7	4 800	52,0
54,0	32,7	68,8	5 200	39,6	72,4	4 400	54,0
56,0	28,0	65,4	4 900	35,8	69,8	4 100	56,0
58,0	22,5	61,2	4 600	31,5	66,8	3 900	58,0
60,0	15,3	55,3	4 300	26,7	63,2	3 600	60,0
62,0				20,9	58,7	3 400	62,0
64,0				12,7	52,1	3 100	64,0

MLC165 S-2

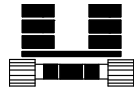
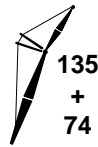
ASME B30.5



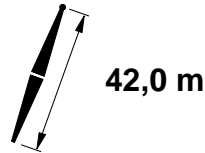
m	87°			83°			80°			m
	m	m	kg	m	m	kg	m	m	kg	
18,3	74,3	93,9	14 000 *b							18,3
20,0	72,4	93,4	13 700 *b							20,0
22,0	70,0	92,7	13 300 *b							22,0
24,0	67,7	91,9	13 000 *							24,0
26,0	65,2	91,0	12 500 *	68,7	92,0	13 400 *				26,0
28,0	62,8	90,1	12 100 *	66,4	91,2	13 200 *				28,0
30,0	60,3	89,0	11 500 *	63,9	90,2	12 500 *	66,6	90,9	12 600 *	30,0
32,0	57,7	87,8	10 800 *	61,4	89,2	11 900 *	64,1	90,0	12 500 *	32,0
34,0	55,0	86,5	10 200 *	58,9	88,1	11 300 *	61,6	88,9	11 800 *	34,0
36,0	52,3	85,0	9 600 *	56,3	86,8	10 600 *	59,1	87,8	11 000 *	36,0
38,0	49,4	83,4	9 000 *	53,6	85,4	10 000 *	56,5	86,5	10 100 *	38,0
40,0	46,5	81,6	8 400 *	50,8	83,8	9 400 *	53,8	85,1	9 400 *	40,0
42,0	43,3	79,5	7 800 *	47,8	82,1	8 800 *	51,0	83,6	8 800 *	42,0
44,0	40,0	77,3	7 300 *	44,8	80,2	8 200 *	48,1	81,9	8 200 *	44,0
46,0	36,4	74,8	6 900 *	41,5	78,1	7 700 *	45,0	80,0	7 600 *	46,0
48,0	32,5	71,8	6 400 *	38,1	75,7	7 200 *	41,8	77,9	7 200 *	48,0
50,0	28,1	68,4	5 800 *	34,3	72,9	6 700 *	38,4	75,5	6 700 *	50,0
52,0	23,0	64,2	5 300 *	30,2	69,8	6 200 *	34,7	72,8	6 300 *	52,0
54,0	16,4	58,7	4 800 *	25,5	66,0	5 600 *	30,6	69,7	5 900 *	54,0
56,0				19,7	61,2	5 000 *	25,9	66,0	5 600 *	56,0
58,0							20,3	61,3	5 100 *	58,0
60,0							12,4	54,4	4 700 *	60,0
62,0										62,0
64,0										64,0

MLC165 S-2

ASME B30.5



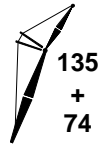
55 110 kg
+
16 010 kg



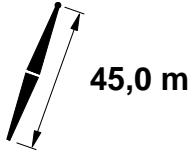
	75°		
m	°	m	kg
18,3			
20,0			
22,0			
24,0			
26,0			
28,0			
30,0			
32,0			
34,0			
36,0			
38,0	61,1	87,8	9 000
40,0	58,5	86,7	8 300
42,0	55,9	85,4	7 700
44,0	53,2	84,0	7 200
46,0	50,4	82,4	6 700
48,0	47,4	80,6	6 200
50,0	44,4	78,7	5 800
52,0	41,1	76,5	5 500
54,0	37,6	74,1	5 100
56,0	33,8	71,3	4 800
58,0	29,6	68,1	4 500
60,0	24,8	64,2	4 200
62,0	18,8	59,2	3 900
64,0	9,9	51,4	3 700

MLC165 S-2

ASME B30.5



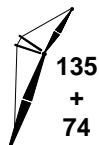
55 110 kg
+
16 010 kg



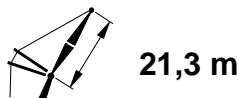
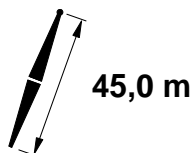
m	87°			83°			80°			m
	m	m	kg	m	m	kg	m	m	kg	
10,4	73,9	67,5	37 200 *d							10,4
12,0	69,3	66,9	37 100 *d							12,0
14,0	63,4	66,1	35 400 *c							14,0
16,0	57,3	64,9	31 700 *c	66,8	66,3	34 600 c				16,0
18,0	50,6	63,5	28 600 *b	60,8	65,3	30 600 b				18,0
20,0	43,2	61,6	26 100 *b	54,4	64,0	26 600 b	61,8	65,1	25 300 b	20,0
22,0	34,7	59,1	24 200 *	47,5	62,4	23 600	55,5	63,9	22 400 b	22,0
24,0	23,7	55,5	22 500	39,7	60,3	21 100	48,7	62,3	20 000	24,0
26,0				30,3	57,4	19 000	41,0	60,3	18 100	26,0
28,0							32,0	57,6	16 400	28,0
30,0							19,7	53,4	15 000	30,0
32,0										32,0
34,0										34,0
36,0										36,0
38,0										38,0
40,0										40,0

MLC165 S-2

ASME B30.5



55 110 kg
+
16 010 kg

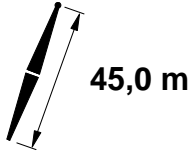
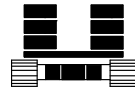


	75°			70°			65°			
	m	m	kg	m	m	kg	m	m	kg	m
10,4										10,4
12,0										12,0
14,0										14,0
16,0										16,0
18,0										18,0
20,0										20,0
22,0										22,0
24,0										24,0
26,0	54,9	62,8	16 400 b							26,0
28,0	48,0	61,2	14 900							28,0
30,0	40,3	59,2	13 600	54,0	61,4	12 300 b				30,0
32,0	31,1	56,4	12 500	47,0	59,7	11 300				32,0
34,0	18,1	52,0	11 500	39,1	57,6	10 400				34,0
36,0				29,6	54,7	9 600	45,5	57,8	8 500	36,0
38,0				15,6	49,9	8 800	37,4	55,5	7 900	38,0
40,0							27,4	52,4	7 300	40,0

REFERENCE ONLY

MLC165 S-2

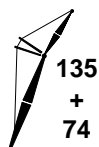
ASME B30.5



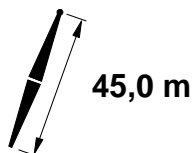
m	87°			83°			80°			m
	m	m	kg	m	m	kg	m	m	kg	
11,0	74,5	70,5	34 200 *d							11,0
12,0	72,0	70,2	34 100 *d							12,0
14,0	67,0	69,4	33 700 *c							14,0
16,0	61,8	68,5	31 000 *c							16,0
18,0	56,3	67,3	28 300 *b	64,7	68,7	30 100 b				18,0
20,0	50,4	65,8	25 800 *b	59,4	67,6	26 500 b	65,5	68,5	25 100 b	20,0
22,0	44,0	63,9	23 700 *	53,8	66,3	23 500	60,3	67,4	22 200 b	22,0
24,0	36,7	61,6	21 600 *	47,7	64,7	21 000	54,7	66,2	19 900	24,0
26,0	27,9	58,4	19 700 *	40,9	62,6	19 000	48,7	64,6	18 000	26,0
28,0				33,1	60,0	17 200	42,1	62,6	16 300	28,0
30,0				23,2	56,3	15 800	34,5	60,1	14 900	30,0
32,0							25,0	56,6	13 700	32,0
34,0										34,0
36,0										36,0
38,0										38,0
40,0										40,0
42,0										42,0
44,0										44,0

MLC165 S-2

ASME B30.5



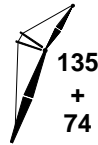
55 110 kg
+
16 010 kg



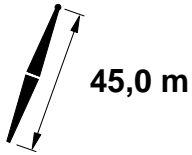
	75°			70°			65°			
m	m	m	kg	m	m	kg	m	m	kg	m
11,0										11,0
12,0										12,0
14,0										14,0
16,0										16,0
18,0										18,0
20,0										20,0
22,0										22,0
24,0										24,0
26,0	59,8	66,4	16 300 b							26,0
28,0	54,2	65,1	14 800							28,0
30,0	48,1	63,5	13 500							30,0
32,0	41,5	61,5	12 400	53,4	63,7	11 100				32,0
34,0	33,8	58,9	11 400	47,3	62,0	10 200				34,0
36,0	24,0	55,3	10 500	40,5	60,0	9 400				36,0
38,0	5,4	47,7	9 700	32,6	57,3	8 700	46,0	60,1	7 700	38,0
40,0				22,4	53,4	8 100	39,0	57,9	7 100	40,0
42,0							30,8	55,1	6 600	42,0
44,0							19,8	50,8	6 100	44,0




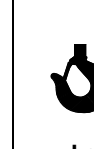

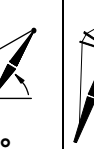
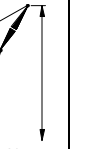



MLC165 S-2

ASME B30.5



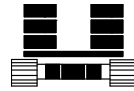
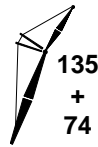
55 110 kg
+
16 010 kg



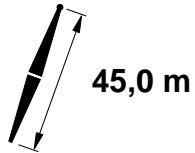
	87°			83°			80°				
	 m	 °	 m	 kg	 °	 m	 kg	 °	 m		 kg
11,6	74,9	73,5	31 300 *d								11,6
12,0	74,0	73,4	31 300 *d								12,0
14,0	69,6	72,7	31 000 *c								14,0
16,0	65,1	71,9	29 200 *c								16,0
18,0	60,4	70,8	27 000 *b	67,7	72,0	29 400 *b					18,0
20,0	55,5	69,6	24 900 *b	63,1	71,1	26 400 b					20,0
22,0	50,2	68,1	22 800 *b	58,3	70,0	23 400 b	63,8	70,9	22 100 b		22,0
24,0	44,6	66,2	20 800 *	53,2	68,6	20 900	59,1	69,8	19 800		24,0
26,0	38,3	64,0	19 000 *	47,8	67,0	18 900	54,1	68,5	17 900		26,0
28,0	30,9	61,1	17 400 *	41,9	65,0	17 200	48,7	66,9	16 200		28,0
30,0	21,4	57,0	16 000 *	35,2	62,5	15 700	42,9	64,9	14 800		30,0
32,0				27,1	59,2	14 400	36,4	62,5	13 700		32,0
34,0							28,6	59,4	12 500		34,0
36,0							18,0	54,7	11 600		36,0
38,0											38,0
40,0											40,0
42,0											42,0
44,0											44,0
46,0											46,0

MLC165 S-2

ASME B30.5



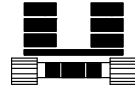
55 110 kg
+
16 010 kg



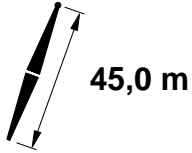
m	75°			70°			65°			m
	m	m	kg	m	m	kg	m	m	kg	
11,6										11,6
12,0										12,0
14,0										14,0
16,0										16,0
18,0										18,0
20,0										20,0
22,0										22,0
24,0										24,0
26,0										26,0
28,0	58,6	68,8	14 700 b							28,0
30,0	53,6	67,4	13 400							30,0
32,0	48,2	65,8	12 300	58,0	67,4	11 000				32,0
34,0	42,3	63,8	11 300	52,9	66,0	10 100				34,0
36,0	35,7	61,4	10 500	47,5	64,3	9 300				36,0
38,0	27,8	58,1	9 700	41,5	62,3	8 600				38,0
40,0	16,7	53,2	9 000	34,7	59,7	8 000	46,3	62,4	7 000	40,0
42,0				26,5	56,4	7 500	40,2	60,3	6 500	42,0
44,0				14,6	51,0	6 900	33,2	57,6	6 100	44,0
46,0							24,6	54,0	5 700	46,0

MLC165 S-2

ASME B30.5



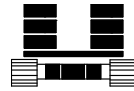
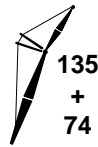
55 110 kg
+
16 010 kg



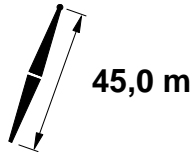
m	87°			83°			80°			m
	m	m	kg	m	m	kg	m	m	kg	
13,7	72,3	76,0	28 800 *c							13,7
14,0	71,8	75,9	28 500 *c							14,0
16,0	67,7	75,2	27 000 *c							16,0
18,0	63,6	74,3	25 300 *b							18,0
20,0	59,3	73,2	23 500 *b	66,0	74,5	26 200 b				20,0
22,0	54,9	71,9	21 700 *b	61,8	73,5	23 200	66,6	74,3	22 000 b	22,0
24,0	50,1	70,4	20 000 *	57,4	72,3	20 800	62,5	73,3	19 600	24,0
26,0	45,0	68,5	18 300 *	52,8	70,9	18 700	58,1	72,2	17 700	26,0
28,0	39,4	66,3	16 900 *	47,9	69,3	17 000	53,6	70,8	16 100	28,0
30,0	33,1	63,6	15 500 *	42,7	67,3	15 600	48,8	69,2	14 700	30,0
32,0	25,4	60,0	14 200 *	36,8	64,9	14 300	43,5	67,3	13 500	32,0
34,0				29,9	61,9	13 200	37,8	64,9	12 500	34,0
36,0				21,2	57,7	12 200	31,1	62,0	11 500	36,0
38,0							22,8	58,1	10 700	38,0
40,0										40,0
42,0										42,0
44,0										44,0
46,0										46,0
48,0										48,0
50,0										50,0

MLC165 S-2

ASME B30.5



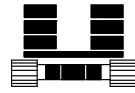
55 110 kg
+
16 010 kg



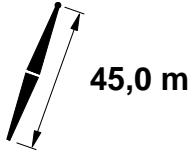
	75°			70°			65°			
	m	m	kg	m	m	kg	m	m	kg	m
13,7										13,7
14,0										14,0
16,0										16,0
18,0										18,0
20,0										20,0
22,0										22,0
24,0										24,0
26,0										26,0
28,0										28,0
30,0	57,7	71,1	13 200							30,0
32,0	53,2	69,8	12 100							32,0
34,0	48,3	68,1	11 200							34,0
36,0	43,0	66,2	10 300	52,5	68,3	9 100				36,0
38,0	37,2	63,8	9 600	47,6	66,6	8 500				38,0
40,0	30,5	60,8	8 900	42,3	64,6	7 900	51,6	66,4	6 800	40,0
42,0	21,9	56,7	8 300	36,3	62,2	7 300	46,6	64,7	6 300	42,0
44,0	6,7	48,9	7 700	29,4	59,1	6 800	41,2	62,6	5 900	44,0
46,0				20,5	54,8	6 300	35,1	60,1	5 500	46,0
48,0							27,9	56,8	5 100	48,0
50,0							18,3	52,1	4 700	50,0

MLC165 S-2

ASME B30.5



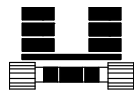
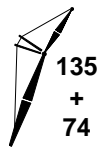
55 110 kg
+
16 010 kg



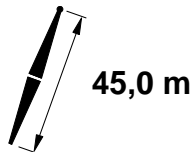
m	87°			83°			80°			m
	m	m	kg	m	kg	m	kg			
13,7	74,0	79,2	26 300 *c						13,7	
14,0	73,5	79,1	26 100 *c						14,0	
16,0	69,9	78,5	24 900 *c						16,0	
18,0	66,2	77,6	23 600 *b						18,0	
20,0	62,4	76,7	22 100 *b	68,3	77,8	25 300 b			20,0	
22,0	58,5	75,6	20 600 *b	64,5	76,9	23 300			22,0	
24,0	54,3	74,2	19 200 *	60,7	75,9	20 700	65,1	76,7	19 600	24,0
26,0	50,0	72,7	17 700 *	56,7	74,7	18 700	61,3	75,7	17 600	26,0
28,0	45,4	70,9	16 400 *	52,5	73,3	17 000	57,3	74,5	16 000	28,0
30,0	40,4	68,7	15 100 *	48,0	71,6	15 500	53,2	73,1	14 700	30,0
32,0	34,8	66,1	13 900 *	43,3	69,6	14 300	48,8	71,5	13 500	32,0
34,0	28,2	62,8	12 900 *	38,0	67,3	13 200	44,1	69,6	12 400	34,0
36,0	19,8	58,3	12 000 *	32,1	64,4	12 200	38,9	67,3	11 500	36,0
38,0				24,9	60,8	11 400	33,1	64,6	10 700	38,0
40,0							26,2	61,1	9 900	40,0
42,0							16,8	56,0	9 300	42,0
44,0										44,0
46,0										46,0
48,0										48,0
50,0										50,0
52,0										52,0

MLC165 S-2

ASME B30.5



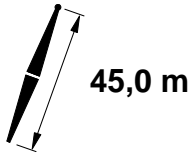
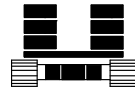
55 110 kg
+
16 010 kg



	75°			70°			65°			
	m	m	kg	m	m	kg	m	m	kg	m
13,7										13,7
14,0										14,0
16,0										16,0
18,0										18,0
20,0										20,0
22,0										22,0
24,0										24,0
26,0										26,0
28,0										28,0
30,0	61,0	74,7	13 200							30,0
32,0	57,0	73,5	12 100							32,0
34,0	52,8	72,1	11 100							34,0
36,0	48,4	70,4	10 300							36,0
38,0	43,6	68,5	9 600	52,2	70,6	8 400				38,0
40,0	38,4	66,2	8 900	47,7	68,9	7 800				40,0
42,0	32,5	63,4	8 300	42,9	67,0	7 300				42,0
44,0	25,5	59,8	7 700	37,6	64,6	6 800	46,8	67,0	5 900	44,0
46,0	15,7	54,4	7 200	31,6	61,7	6 300	41,9	65,0	5 500	46,0
48,0				24,3	57,9	5 900	36,5	62,5	5 100	48,0
50,0				13,9	52,2	5 500	30,3	59,5	4 800	50,0
52,0							22,6	55,5	4 400	52,0

MLC165 S-2

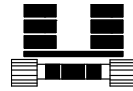
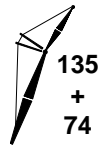
ASME B30.5



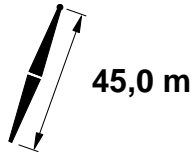
m	87°			83°			80°			m
	m	m	kg	m	m	kg	m	m	kg	
15,2	72,9	81,9	21 000 *c							15,2
16,0	71,6	81,7	20 800 *c							16,0
18,0	68,3	81,0	20 400 *b							18,0
20,0	64,9	80,1	19 900 *b	70,2	81,1	20 700 *b				20,0
22,0	61,3	79,1	19 000 *	66,8	80,3	20 500 *				22,0
24,0	57,7	77,9	17 800 *	63,3	79,3	20 200 *				24,0
26,0	53,9	76,5	16 600 *	59,8	78,3	18 600	63,9	79,1	17 500	26,0
28,0	49,9	75,0	15 500 *	56,1	77,0	16 900	60,4	78,1	15 900	28,0
30,0	45,7	73,2	14 400 *	52,2	75,6	15 400	56,7	76,8	14 500	30,0
32,0	41,1	71,0	13 400 *	48,1	73,9	14 200	52,8	75,4	13 300	32,0
34,0	36,1	68,5	12 400 *	43,8	72,0	13 100	48,8	73,8	12 300	34,0
36,0	30,4	65,5	11 500 *	39,0	69,7	12 100	44,5	71,9	11 400	36,0
38,0	23,5	61,6	10 800 *	33,7	67,0	11 200	39,8	69,7	10 600	38,0
40,0				27,6	63,6	10 500	34,6	67,1	9 800	40,0
42,0				19,8	59,0	9 800	28,7	63,8	9 100	42,0
44,0							21,2	59,5	8 500	44,0
46,0										46,0
48,0										48,0
50,0										50,0
52,0										52,0
54,0										54,0
56,0										56,0

MLC165 S-2

ASME B30.5



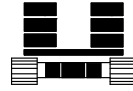
55 110 kg
+
16 010 kg



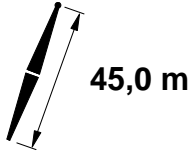
m	75°			70°			65°			m
	m	m	kg	m	m	kg	m	m	kg	
15,2										15,2
16,0										16,0
18,0										18,0
20,0										20,0
22,0										22,0
24,0										24,0
26,0										26,0
28,0										28,0
30,0										30,0
32,0	60,0	77,0	11 900							32,0
34,0	56,3	75,8	11 000							34,0
36,0	52,5	74,4	10 100							36,0
38,0	48,4	72,7	9 400							38,0
40,0	44,1	70,8	8 700	51,9	72,9	7 600				40,0
42,0	39,4	68,6	8 100	47,8	71,2	7 100				42,0
44,0	34,1	65,9	7 600	43,5	69,3	6 600				44,0
46,0	28,1	62,6	7 100	38,7	67,0	6 200	47,0	69,3	5 300	46,0
48,0	20,4	58,1	6 600	33,4	64,2	5 800	42,5	67,3	4 900	48,0
50,0	7,4	50,1	6 100	27,1	60,8	5 400	37,7	64,9	4 600	50,0
52,0				19,2	56,1	5 000	32,2	62,1	4 300	52,0
54,0							25,7	58,5	4 000	54,0
56,0							17,2	53,4	3 700	56,0

MLC165 S-2

ASME B30.5



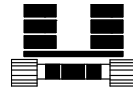
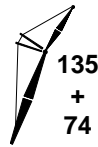
55 110 kg
+
16 010 kg



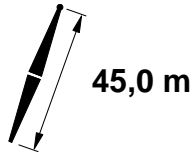
m	87°			83°			80°			m
	m	m	kg	m	m	kg	m	m	kg	
15,2	74,2	85,1	19 800 *c							15,2
16,0	73,1	84,9	19 600 *c							16,0
18,0	70,0	84,2	19 200 *b							18,0
20,0	66,9	83,4	18 700 *b							20,0
22,0	63,7	82,5	17 700 *b	68,7	83,6	19 100 *				22,0
24,0	60,5	81,4	16 800 *	65,5	82,7	18 900 *				24,0
26,0	57,1	80,2	15 800 *	62,3	81,7	18 500	66,0	82,5	17 400	26,0
28,0	53,6	78,9	14 800 *	59,0	80,6	16 800	62,8	81,5	15 800	28,0
30,0	49,9	77,3	13 900 *	55,5	79,3	15 300	59,5	80,4	14 400	30,0
32,0	46,0	75,5	13 000 *	52,0	77,9	14 100	56,1	79,2	13 200	32,0
34,0	41,8	73,4	12 100 *	48,2	76,2	13 000	52,6	77,7	12 200	34,0
36,0	37,2	71,0	11 300 *	44,2	74,3	12 000	48,8	76,1	11 300	36,0
38,0	32,2	68,1	10 500 *	39,9	72,1	11 100	44,8	74,2	10 500	38,0
40,0	26,2	64,5	9 800 *	35,1	69,4	10 400	40,6	72,1	9 700	40,0
42,0	18,7	59,7	9 200 *	29,7	66,3	9 700	35,9	69,5	9 100	42,0
44,0				23,2	62,3	9 100	30,6	66,5	8 500	44,0
46,0							24,4	62,6	7 900	46,0
48,0							16,0	57,2	7 400	48,0
50,0										50,0
52,0										52,0
54,0										54,0
56,0										56,0
58,0										58,0

MLC165 S-2

ASME B30.5



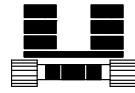
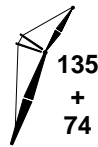
55 110 kg
+
16 010 kg



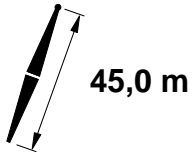
m	75°			70°			65°			m
	m	m	kg	m	m	kg	m	m	kg	
15,2										15,2
16,0										16,0
18,0										18,0
20,0										20,0
22,0										22,0
24,0										24,0
26,0										26,0
28,0										28,0
30,0										30,0
32,0	62,5	80,5	11 800							32,0
34,0	59,2	79,4	10 800							34,0
36,0	55,8	78,1	10 000							36,0
38,0	52,2	76,7	9 300							38,0
40,0	48,5	75,0	8 600	55,3	76,7	7 500				40,0
42,0	44,5	73,1	8 000	51,7	75,2	7 000				42,0
44,0	40,2	70,9	7 500	47,9	73,5	6 500				44,0
46,0	35,5	68,4	7 000	43,9	71,6	6 100	51,0	73,4	5 200	46,0
48,0	30,1	65,2	6 500	39,6	69,4	5 700	47,2	71,6	4 800	48,0
50,0	23,7	61,3	6 100	34,8	66,7	5 300	43,1	69,6	4 400	50,0
52,0	15,0	55,6	5 700	29,3	63,5	5 000	38,6	67,3	4 100	52,0
54,0				22,7	59,4	4 600	33,7	64,6	3 900	54,0
56,0				13,4	53,3	4 300	28,1	61,2	3 600	56,0
58,0							21,2	56,9	3 300	58,0

MLC165 S-2

ASME B30.5



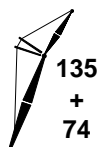
55 110 kg
+
16 010 kg



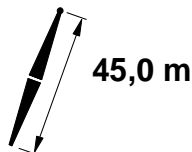
m	87°			83°			80°			m
	m	m	kg	m	m	kg	m	m	kg	
16,8	73,2	87,8	18 200 *b							16,8
18,0	71,5	87,4	17 800 *b							18,0
20,0	68,6	86,7	17 200 *b							20,0
22,0	65,7	85,9	16 400 *b							22,0
24,0	62,7	84,9	15 600 *	67,4	86,0	17 600 *				24,0
26,0	59,7	83,8	14 800 *	64,4	85,1	17 400	67,8	85,8	17 200	26,0
28,0	56,5	82,6	14 000 *	61,4	84,1	16 800	64,9	84,9	15 600	28,0
30,0	53,2	81,2	13 200 *	58,3	83,0	15 200	61,9	83,9	14 200	30,0
32,0	49,8	79,6	12 400 *	55,1	81,7	13 900	58,8	82,8	13 100	32,0
34,0	46,2	77,8	11 700 *	51,8	80,2	12 900	55,6	81,5	12 000	34,0
36,0	42,3	75,7	10 900 *	48,2	78,5	11 900	52,3	80,0	11 100	36,0
38,0	38,2	73,4	10 200 *	44,5	76,6	11 000	48,8	78,4	10 300	38,0
40,0	33,6	70,6	9 500 *	40,6	74,4	10 300	45,2	76,5	9 600	40,0
42,0	28,4	67,3	9 000 *	36,2	71,9	9 600	41,2	74,4	8 900	42,0
44,0	22,1	63,0	8 500 *	31,4	68,9	8 900	37,0	71,9	8 300	44,0
46,0				25,8	65,2	8 400	32,2	69,0	7 800	46,0
48,0				18,7	60,3	7 900	26,8	65,5	7 300	48,0
50,0							20,0	60,9	6 900	50,0
52,0										52,0
54,0										54,0
56,0										56,0
58,0										58,0

MLC165 S-2

ASME B30.5



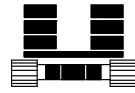
55 110 kg
+
16 010 kg



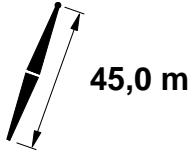
m	75°			70°			m
	m	m	kg	m	m	kg	
16,8							16,8
18,0							18,0
20,0							20,0
22,0							22,0
24,0							24,0
26,0							26,0
28,0							28,0
30,0							30,0
32,0							32,0
34,0	61,6	82,9	10 700				34,0
36,0	58,5	81,8	9 800				36,0
38,0	55,3	80,5	9 100				38,0
40,0	52,0	79,0	8 500				40,0
42,0	48,5	77,3	7 900	54,9	79,0	6 800	42,0
44,0	44,8	75,4	7 300	51,5	77,5	6 300	44,0
46,0	40,9	73,3	6 800	48,0	75,8	5 900	46,0
48,0	36,6	70,8	6 400	44,3	73,9	5 500	48,0
50,0	31,8	67,8	6 000	40,3	71,7	5 100	50,0
52,0	26,2	64,2	5 600	35,9	69,2	4 800	52,0
54,0	19,3	59,5	5 200	31,1	66,2	4 500	54,0
56,0	7,8	51,2	4 900	25,4	62,4	4 200	56,0
58,0				18,1	57,4	3 900	58,0

MLC165 S-2

ASME B30.5



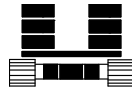
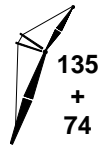
55 110 kg
+
16 010 kg



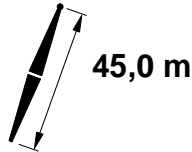
m	87°			83°			80°			m
	m	m	kg	m	m	kg	m	m	kg	
16,8	74,4	91,0	16 600 *c							16,8
18,0	72,8	90,6	16 300 *b							18,0
20,0	70,1	90,0	15 800 *b							20,0
22,0	67,4	89,2	15 200 *b							22,0
24,0	64,7	88,3	14 600 *	69,0	89,3	16 400 *				24,0
26,0	61,9	87,3	13 900 *	66,2	88,5	16 200 *				26,0
28,0	59,0	86,2	13 200 *	63,5	87,6	15 900 *	66,7	88,3	15 500	28,0
30,0	56,0	84,9	12 600 *	60,6	86,5	15 100	63,9	87,3	14 200	30,0
32,0	53,0	83,5	11 900 *	57,7	85,3	13 900	61,1	86,3	13 000	32,0
34,0	49,7	81,9	11 200 *	54,7	84,0	12 800	58,2	85,1	12 000	34,0
36,0	46,4	80,1	10 500 *	51,6	82,5	11 800	55,2	83,8	11 100	36,0
38,0	42,8	78,0	9 900 *	48,3	80,8	11 000	52,1	82,3	10 200	38,0
40,0	39,0	75,7	9 300 *	44,8	78,9	10 200	48,8	80,7	9 500	40,0
42,0	34,8	73,1	8 700 *	41,2	76,8	9 600	45,4	78,8	8 900	42,0
44,0	30,1	69,9	8 200 *	37,2	74,3	8 900	41,8	76,7	8 300	44,0
46,0	24,7	66,1	7 800 *	32,8	71,4	8 400	37,9	74,3	7 800	46,0
48,0	17,8	60,9	7 400 *	27,9	68,0	7 800	33,6	71,6	7 300	48,0
50,0				21,9	63,7	7 400	28,7	68,2	6 800	50,0
52,0							23,0	64,1	6 400	52,0
54,0							15,3	58,4	6 000	54,0
56,0										56,0
58,0										58,0
60,0										60,0
62,0										62,0

MLC165 S-2

ASME B30.5



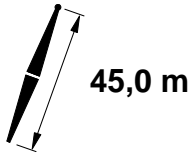
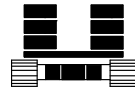
55 110 kg
+
16 010 kg



m	75°			70°			m
	m	m	kg	m	m	kg	
16,8							16,8
18,0							18,0
20,0							20,0
22,0							22,0
24,0							24,0
26,0							26,0
28,0							28,0
30,0							30,0
32,0							32,0
34,0							34,0
36,0	60,8	85,3	9 800				36,0
38,0	57,9	84,1	9 100				38,0
40,0	54,9	82,8	8 400				40,0
42,0	51,8	81,3	7 800				42,0
44,0	48,5	79,6	7 300	54,5	81,3	6 300	44,0
46,0	45,1	77,7	6 800	51,4	79,8	5 800	46,0
48,0	41,4	75,6	6 400	48,1	78,1	5 400	48,0
50,0	37,5	73,2	6 000	44,6	76,2	5 100	50,0
52,0	33,2	70,4	5 600	40,9	74,1	4 700	52,0
54,0	28,2	67,0	5 200	36,9	71,6	4 400	54,0
56,0	22,4	62,8	4 900	32,5	68,7	4 100	56,0
58,0	14,4	56,8	4 600	27,5	65,2	3 800	58,0
60,0				21,5	60,9	3 600	60,0
62,0				13,0	54,4	3 400	62,0

MLC165 S-2

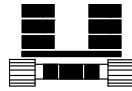
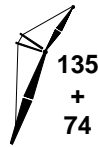
ASME B30.5



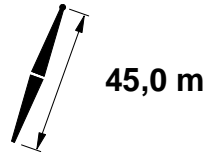
m	87°			83°			80°			m
	m	m	kg	m	m	kg	m	m	kg	
18,3	73,5	93,8	14 700 *b							18,3
20,0	71,4	93,2	14 400 *b							20,0
22,0	68,9	92,5	13 900 *b							22,0
24,0	66,4	91,7	13 400 *							24,0
26,0	63,8	90,7	12 900 *	67,8	91,8	14 600 *				26,0
28,0	61,1	89,7	12 400 *	65,2	90,9	14 400 *				28,0
30,0	58,4	88,5	11 800 *	62,6	90,0	13 700 *	65,7	90,7	13 800	30,0
32,0	55,6	87,2	11 200 *	60,0	88,9	13 100 *	63,1	89,7	12 800	32,0
34,0	52,7	85,8	10 600 *	57,2	87,6	12 500 *	60,4	88,7	11 800	34,0
36,0	49,7	84,2	10 100 *	54,4	86,3	11 700	57,7	87,5	10 900	36,0
38,0	46,5	82,4	9 500 *	51,4	84,8	10 800	54,8	86,1	10 100	38,0
40,0	43,2	80,4	9 000 *	48,3	83,1	10 100	51,9	84,6	9 400	40,0
42,0	39,7	78,1	8 500 *	45,1	81,2	9 400	48,8	83,0	8 700	42,0
44,0	35,8	75,5	8 000 *	41,7	79,1	8 800	45,6	81,1	8 200	44,0
46,0	31,6	72,5	7 600 *	38,0	76,7	8 200	42,3	79,1	7 600	46,0
48,0	26,8	68,9	7 200 *	34,0	73,9	7 700	38,6	76,7	7 200	48,0
50,0	21,0	64,4	6 800 *	29,6	70,7	7 200	34,7	74,0	6 700	50,0
52,0				24,4	66,8	6 800	30,3	70,9	6 300	52,0
54,0				17,9	61,6	6 400	25,3	67,1	5 900	54,0
56,0							19,1	62,2	5 600	56,0
58,0										58,0
60,0										60,0
62,0										62,0

MLC165 S-2

ASME B30.5



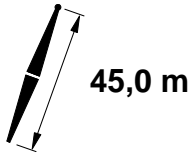
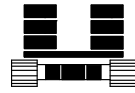
55 110 kg
+
16 010 kg




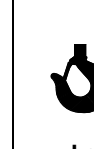

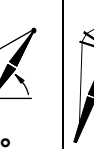
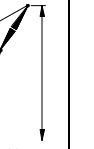





m	75°		
	m	m	kg
18,3			
20,0			
22,0			
24,0			
26,0			
28,0			
30,0			
32,0			
34,0			
36,0			
38,0	60,1	87,7	8 900
40,0	57,4	86,5	8 200
42,0	54,6	85,1	7 700
44,0	51,6	83,6	7 100
46,0	48,6	81,9	6 600
48,0	45,3	80,1	6 200
50,0	41,9	78,0	5 800
52,0	38,3	75,6	5 400
54,0	34,3	72,9	5 100
56,0	29,9	69,7	4 800
58,0	24,8	65,8	4 500
60,0	18,4	60,8	4 200
62,0	8,2	52,3	3 900

MLC165 S-2

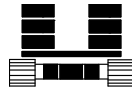
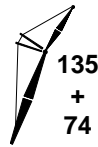
ASME B30.5



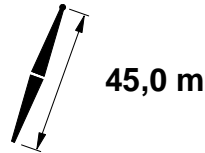
	87°			83°			80°				
	 m	 °	 m	 kg	 °	 m	 kg	 °	 m		 kg
18,3	74,5	96,9	13 400 *b								18,3
20,0	72,5	96,4	13 100 *b								20,0
22,0	70,2	95,7	12 700 *b								22,0
24,0	67,8	95,0	12 300 *								24,0
26,0	65,4	94,1	11 900 *	69,2	95,1	12 900 *					26,0
28,0	63,0	93,1	11 500 *	66,8	94,3	12 800 *					28,0
30,0	60,5	92,1	11 000 *	64,4	93,4	12 500 *					30,0
32,0	57,9	90,9	10 500 *	61,9	92,4	11 900 *	64,8	93,1	12 100 *		32,0
34,0	55,2	89,5	10 000 *	59,3	91,2	11 300 *	62,3	92,1	11 800 *		34,0
36,0	52,5	88,1	9 600 *	56,7	90,0	10 700 *	59,8	91,0	10 800 *		36,0
38,0	49,7	86,5	9 100 *	54,1	88,6	10 100 *	57,2	89,8	10 000 *		38,0
40,0	46,7	84,7	8 500 *	51,3	87,1	9 500 *	54,5	88,5	9 300 *		40,0
42,0	43,6	82,7	7 900 *	48,4	85,4	8 900 *	51,7	87,0	8 600 *		42,0
44,0	40,3	80,5	7 400 *	45,3	83,5	8 300 *	48,9	85,3	8 000 *		44,0
46,0	36,7	77,9	6 900 *	42,1	81,4	7 800 *	45,8	83,5	7 500 *		46,0
48,0	32,8	75,1	6 400 *	38,7	79,1	7 300 *	42,7	81,4	7 000 *		48,0
50,0	28,5	71,7	5 900 *	35,1	76,4	6 800 *	39,3	79,1	6 600 *		50,0
52,0	23,4	67,6	5 300 *	31,0	73,3	6 300 *	35,7	76,5	6 200 *		52,0
54,0	17,0	62,2	4 800 *	26,4	69,7	5 700 *	31,7	73,5	5 800 *		54,0
56,0				20,9	65,1	5 200 *	27,2	69,9	5 500 *		56,0
58,0							21,9	65,6	5 100 *		58,0
60,0							14,8	59,5	4 800 *		60,0
62,0											62,0
64,0											64,0

MLC165 S-2

ASME B30.5



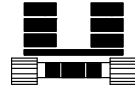
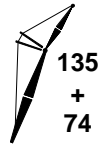
55 110 kg
+
16 010 kg



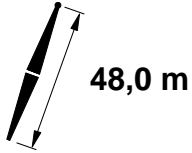
	75°		
	m	m	kg
18,3			
20,0			
22,0			
24,0			
26,0			
28,0			
30,0			
32,0			
34,0			
36,0			
38,0			
40,0	59,5	90,0	8 100
42,0	56,9	88,8	7 500
44,0	54,2	87,4	7 000
46,0	51,5	85,9	6 500
48,0	48,6	84,2	6 100
50,0	45,6	82,4	5 700
52,0	42,4	80,3	5 300
54,0	39,0	78,0	5 000
56,0	35,3	75,3	4 700
58,0	31,3	72,3	4 300
60,0	26,7	68,7	4 100
62,0	21,3	64,2	3 800
64,0	14,0	57,9	3 600

MLC165 S-2

ASME B30.5



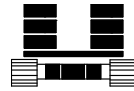
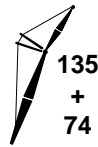
55 110 kg
+
16 010 kg



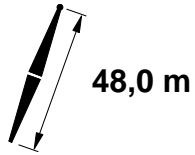
m	87°			83°			80°			m
	m	m	kg	m	m	kg	m	m	kg	
10,4	74,4	70,5	35 300 *d							10,4
12,0	69,8	70,0	35 100 *d							12,0
14,0	63,9	69,2	33 400 *c							14,0
16,0	57,8	68,0	30 600 *c	67,8	69,4	33 100 *d				16,0
18,0	51,2	66,6	27 800 *b	61,9	68,5	30 100 b				18,0
20,0	43,9	64,8	25 500 *b	55,6	67,3	26 400 b	63,4	68,3	25 000 c	20,0
22,0	35,4	62,4	23 300 *b	48,8	65,7	23 400 b	57,2	67,2	22 100 b	22,0
24,0	24,7	58,9	21 300 *	41,2	63,7	21 000	50,5	65,7	19 800	24,0
26,0				32,2	61,0	18 900	43,1	63,8	17 800	26,0
28,0				20,0	56,9	17 200	34,6	61,4	16 200	28,0
30,0							23,5	57,7	14 800	30,0
32,0										32,0
34,0										34,0
36,0										36,0
38,0										38,0
40,0										40,0
42,0										42,0

MLC165 S-2

ASME B30.5



55 110 kg
+
16 010 kg

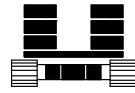
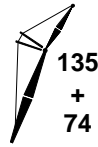


	75°			70°			65°			
	m	m	kg	m	m	kg	m	m	kg	m
10,4										10,4
12,0										12,0
14,0										14,0
16,0										16,0
18,0										18,0
20,0										20,0
22,0										22,0
24,0										24,0
26,0	57,4	66,3	16 100 b							26,0
28,0	50,8	64,8	14 600 b							28,0
30,0	43,4	62,9	13 300							30,0
32,0	34,9	60,5	12 200	50,7	63,5	10 800 b				32,0
34,0	24,0	57,0	11 300	43,3	61,6	10 000				34,0
36,0				34,8	59,1	9 200				36,0
38,0				23,8	55,6	8 500	42,7	59,8	7 500	38,0
40,0							34,1	57,3	6 900	40,0
42,0							22,8	53,6	6 400	42,0

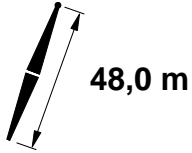
REFERENCE ONLY

MLC165 S-2

ASME B30.5



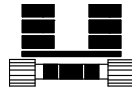
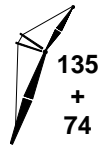
55 110 kg
+
16 010 kg



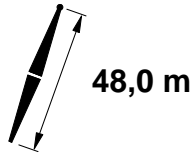
m	87°			83°			80°			m
	m	m	kg	m	m	kg	m	m	kg	
11,0	74,9	73,5	32 700 *d							11,0
12,0	72,4	73,2	32 600 *d							12,0
14,0	67,4	72,5	31 200 *c							14,0
16,0	62,2	71,6	28 900 *c							16,0
18,0	56,7	70,4	26 600 *b	65,7	71,9	29 400 *b				18,0
20,0	50,9	68,9	24 300 *b	60,4	70,9	26 300 b	66,9	71,7	24 800 c	20,0
22,0	44,5	67,1	22 300 *	54,8	69,6	23 300 b	61,7	70,7	21 900 b	22,0
24,0	37,4	64,8	20 300 *	48,8	68,0	20 800	56,2	69,5	19 600	24,0
26,0	28,7	61,7	18 600 *	42,2	66,0	18 800	50,3	68,0	17 700	26,0
28,0	16,5	56,9	17 200 *	34,7	63,5	17 100	43,9	66,2	16 100	28,0
30,0				25,3	60,1	15 600	36,6	63,8	14 700	30,0
32,0				9,5	53,7	14 300	27,8	60,6	13 500	32,0
34,0										34,0
36,0										36,0
38,0										38,0
40,0										40,0
42,0										42,0
44,0										44,0

MLC165 S-2

ASME B30.5



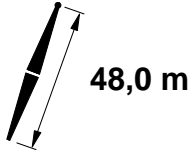
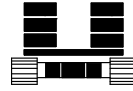
55 110 kg
+
16 010 kg



	75°			70°			65°			
	m	m	kg	m	m	kg	m	m	kg	m
11,0										11,0
12,0										12,0
14,0										14,0
16,0										16,0
18,0										18,0
20,0										20,0
22,0										22,0
24,0										24,0
26,0	61,9	69,8	15 800 b							26,0
28,0	56,4	68,6	14 400 b							28,0
30,0	50,6	67,1	13 200							30,0
32,0	44,2	65,3	12 100	56,3	67,2	10 700 b				32,0
34,0	36,9	62,9	11 100	50,5	65,8	9 800				34,0
36,0	28,2	59,8	10 300	44,1	63,9	9 000				36,0
38,0	15,5	54,8	9 500	36,8	61,6	8 400				38,0
40,0				28,1	58,4	7 800	43,6	62,1	6 700	40,0
42,0				15,3	53,4	7 200	36,2	59,7	6 200	42,0
44,0							27,3	56,5	5 800	44,0

MLC165 S-2

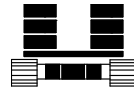
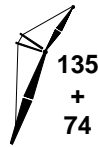
ASME B30.5



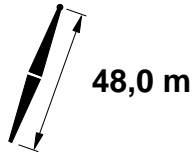
m	87°			83°			80°			m
	m	m	kg	m	m	kg	m	m	kg	
12,2	74,0	76,3	30 000 *d							12,2
14,0	70,0	75,8	28 900 *c							14,0
16,0	65,5	74,9	27 000 *c							16,0
18,0	60,8	73,9	25 100 *b							18,0
20,0	55,9	72,7	23 200 *b	63,9	74,3	26 200 b				20,0
22,0	50,7	71,2	21 300 *b	59,2	73,2	23 200 b	65,1	74,1	21 800 b	22,0
24,0	45,0	69,4	19 600 *	54,2	71,9	20 700	60,4	73,1	19 500 b	24,0
26,0	38,8	67,2	17 900 *	48,9	70,3	18 700	55,4	71,8	17 600	26,0
28,0	31,5	64,3	16 400 *	43,0	68,4	17 000	50,2	70,3	16 000	28,0
30,0	22,3	60,4	15 200 *	36,5	66,0	15 600	44,5	68,5	14 600	30,0
32,0	3,4	51,6	14 100 *	28,8	62,8	14 300	38,2	66,2	13 400	32,0
34,0				18,3	58,3	13 200	30,8	63,3	12 400	34,0
36,0							21,2	59,2	11 500	36,0
38,0										38,0
40,0										40,0
42,0										42,0
44,0										44,0
46,0										46,0
48,0										48,0

MLC165 S-2

ASME B30.5



55 110 kg
+
16 010 kg



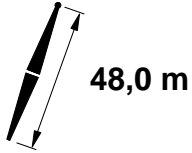
	75°			70°			65°			
	m	m	kg	m	m	kg	m	m	kg	
12,2										12,2
14,0										14,0
16,0										16,0
18,0										18,0
20,0										20,0
22,0										22,0
24,0										24,0
26,0										26,0
28,0	60,5	72,2	14 300 b							28,0
30,0	55,6	70,9	13 100							30,0
32,0	50,4	69,4	12 000							32,0
34,0	44,7	67,6	11 000	55,6	69,6	9 700				34,0
36,0	38,4	65,3	10 200	50,3	68,1	9 000				36,0
38,0	31,1	62,4	9 500	44,6	66,2	8 300				38,0
40,0	21,7	58,4	8 800	38,3	64,0	7 700	49,9	66,3	6 600	40,0
42,0				31,0	61,1	7 200	44,2	64,4	6 100	42,0
44,0				21,5	57,0	6 600	37,8	62,1	5 700	44,0
46,0							30,4	59,2	5 300	46,0
48,0							20,6	55,0	4 900	48,0

MLC165 S-2

ASME B30.5



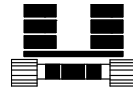
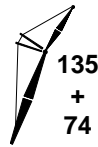
55 110 kg
+
16 010 kg



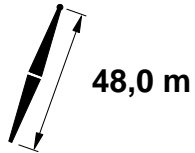
m	87°			83°			80°			m
	m	m	kg	m	m	kg	m	m	kg	
13,7	72,6	79,1	26 700 *c							13,7
14,0	72,1	79,0	26 500 *c							14,0
16,0	68,1	78,3	25 100 *c							16,0
18,0	64,0	77,4	23 500 *b							18,0
20,0	59,7	76,3	21 900 *b	66,7	77,6	25 300 b				20,0
22,0	55,2	75,0	20 300 *b	62,6	76,7	23 100 b				22,0
24,0	50,5	73,5	18 700 *	58,2	75,6	20 600	63,6	76,5	19 400 b	24,0
26,0	45,4	71,7	17 300 *	53,7	74,2	18 600	59,3	75,4	17 400	26,0
28,0	39,9	69,5	15 900 *	48,9	72,6	16 900	54,8	74,2	15 800	28,0
30,0	33,6	66,9	14 600 *	43,7	70,7	15 500	50,1	72,6	14 500	30,0
32,0	26,1	63,4	13 600 *	37,9	68,4	14 200	45,0	70,8	13 300	32,0
34,0	15,4	58,1	12 600 *	31,3	65,5	13 100	39,4	68,6	12 200	34,0
36,0				23,0	61,6	12 100	33,0	65,8	11 300	36,0
38,0				9,6	54,8	11 200	25,2	62,2	10 500	38,0
40,0										40,0
42,0										42,0
44,0										44,0
46,0										46,0
48,0										48,0
50,0										50,0


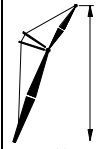
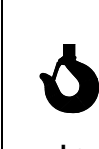

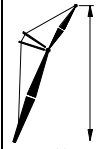


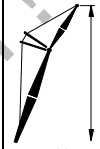

MLC165 S-2

ASME B30.5



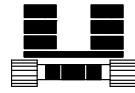
55 110 kg
+
16 010 kg



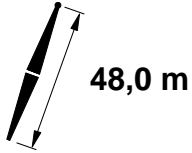
	75°			70°			65°			
										
	m	m	kg	m	m	kg	m	m	kg	m
13,7										13,7
14,0										14,0
16,0										16,0
18,0										18,0
20,0										20,0
22,0										22,0
24,0										24,0
26,0										26,0
28,0										28,0
30,0	59,4	74,5	12 900							30,0
32,0	55,0	73,2	11 800							32,0
34,0	50,2	71,7	10 900							34,0
36,0	45,2	69,9	10 100	54,9	71,9	8 800				36,0
38,0	39,6	67,7	9 300	50,2	70,4	8 100				38,0
40,0	33,2	65,0	8 600	45,1	68,6	7 500				40,0
42,0	25,6	61,4	8 000	39,5	66,4	7 000	49,8	68,6	5 900	42,0
44,0	14,6	56,0	7 500	33,2	63,6	6 500	44,7	66,7	5 500	44,0
46,0				25,5	60,1	6 100	39,0	64,5	5 100	46,0
48,0				14,4	54,6	5 600	32,6	61,7	4 800	48,0
50,0							24,8	58,1	4 400	50,0

MLC165 S-2

ASME B30.5



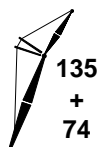
55 110 kg
+
16 010 kg



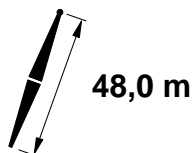
m	87°			83°			80°			m
	m	m	kg	m	m	kg	m	m	kg	
13,7	74,3	82,3	22 100 *c							13,7
14,0	73,7	82,2	22 000 *c							14,0
16,0	70,2	81,5	21 500 *c							16,0
18,0	66,5	80,7	21 000 *b							18,0
20,0	62,7	79,8	20 200 *b	68,9	80,9	21 500 *b				20,0
22,0	58,8	78,7	18 900 *b	65,2	80,1	21 200 *b				22,0
24,0	54,7	77,3	17 700 *	61,4	79,1	20 500				24,0
26,0	50,4	75,8	16 400 *	57,4	77,9	18 600	62,3	78,9	17 400	26,0
28,0	45,8	74,0	15 200 *	53,3	76,5	16 900	58,4	77,8	15 800	28,0
30,0	40,8	71,9	14 100 *	48,9	74,9	15 400	54,3	76,5	14 500	30,0
32,0	35,2	69,3	13 100 *	44,2	73,0	14 200	50,0	74,9	13 300	32,0
34,0	28,8	66,1	12 200 *	39,0	70,8	13 100	45,3	73,1	12 200	34,0
36,0	20,6	61,8	11 300 *	33,2	68,0	12 100	40,3	70,9	11 300	36,0
38,0	5,3	53,1	10 800 *	26,3	64,5	11 300	34,7	68,3	10 500	38,0
40,0				17,1	59,5	10 500	28,1	65,0	9 800	40,0
42,0							19,7	60,5	9 200	42,0
44,0										44,0
46,0										46,0
48,0										48,0
50,0										50,0
52,0										52,0
54,0										54,0

MLC165 S-2

ASME B30.5



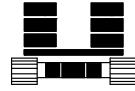
55 110 kg
+
16 010 kg



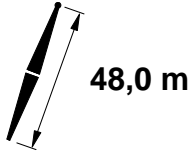
	75°			70°			65°			
	m	m	kg	m	m	kg	m	m	kg	m
13,7										13,7
14,0										14,0
16,0										16,0
18,0										18,0
20,0										20,0
22,0										22,0
24,0										24,0
26,0										26,0
28,0										28,0
30,0										30,0
32,0	58,5	76,9	11 800							32,0
34,0	54,5	75,6	10 800							34,0
36,0	50,1	74,0	10 000							36,0
38,0	45,5	72,2	9 300	54,4	74,2	8 100				38,0
40,0	40,5	70,1	8 600	50,1	72,7	7 500				40,0
42,0	34,9	67,5	8 000	45,5	70,9	6 900				42,0
44,0	28,4	64,2	7 500	40,4	68,7	6 500	49,7	70,9	5 500	44,0
46,0	20,1	59,8	7 000	34,8	66,1	6 100	45,1	69,1	5 100	46,0
48,0				28,3	62,9	5 600	40,0	66,9	4 700	48,0
50,0				19,9	58,4	5 300	34,4	64,2	4 400	50,0
52,0							27,8	60,9	4 100	52,0
54,0							19,2	56,3	3 800	54,0

MLC165 S-2

ASME B30.5



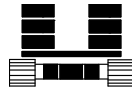
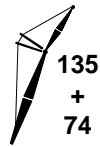
55 110 kg
+
16 010 kg



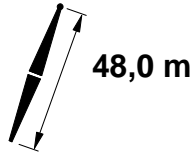
m	87°			83°			80°			m
	m	m	kg	m	m	kg	m	m	kg	
15,2	73,1	85,0	20 400 *c							15,2
16,0	71,9	84,8	20 200 *c							16,0
18,0	68,5	84,0	19 800 *b							18,0
20,0	65,1	83,2	18 800 *b							20,0
22,0	61,6	82,2	17 800 *b	67,4	83,4	19 900 *b				22,0
24,0	58,0	81,0	16 700 *	64,0	82,5	19 600 *				24,0
26,0	54,2	79,7	15 600 *	60,4	81,5	18 400	64,8	82,3	17 200	26,0
28,0	50,3	78,1	14 600 *	56,8	80,2	16 700	61,3	81,3	15 700	28,0
30,0	46,1	76,3	13 600 *	52,9	78,8	15 300	57,7	80,1	14 300	30,0
32,0	41,5	74,2	12 700 *	48,9	77,2	14 100	53,9	78,8	13 100	32,0
34,0	36,5	71,8	11 800 *	44,6	75,3	12 900	49,9	77,2	12 100	34,0
36,0	30,9	68,8	11 000 *	39,9	73,1	12 000	45,6	75,4	11 200	36,0
38,0	24,1	64,9	10 300 *	34,8	70,5	11 100	41,1	73,3	10 400	38,0
40,0	14,7	59,3	9 700 *	28,8	67,3	10 400	36,1	70,8	9 700	40,0
42,0				21,4	63,0	9 700	30,3	67,7	9 000	42,0
44,0				9,7	55,8	9 000	23,4	63,8	8 400	44,0
46,0										46,0
48,0										48,0
50,0										50,0
52,0										52,0
54,0										54,0

MLC165 S-2

ASME B30.5



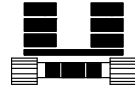
55 110 kg
+
16 010 kg



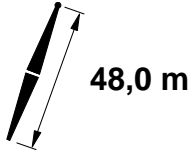
m	75°			70°			m
	m	m	kg	m	m	kg	
15,2							15,2
16,0							16,0
18,0							18,0
20,0							20,0
22,0							22,0
24,0							24,0
26,0							26,0
28,0							28,0
30,0							30,0
32,0	61,4	80,4	11 600				32,0
34,0	57,8	79,2	10 700				34,0
36,0	54,0	77,9	9 800				36,0
38,0	50,0	76,3	9 100				38,0
40,0	45,8	74,5	8 500	54,0	76,5	7 300	40,0
42,0	41,3	72,4	7 900	50,0	75,0	6 800	42,0
44,0	36,3	69,9	7 400	45,8	73,2	6 300	44,0
46,0	30,6	66,9	6 900	41,2	71,1	5 900	46,0
48,0	23,7	63,0	6 400	36,2	68,6	5 500	48,0
50,0	14,0	57,1	6 000	30,5	65,5	5 100	50,0
52,0				23,6	61,6	4 800	52,0
54,0				13,8	55,7	4 400	54,0

MLC165 S-2

ASME B30.5



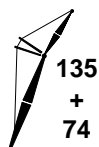
55 110 kg
+
16 010 kg



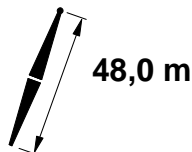
m	87°			83°			80°			m
	m	m	kg	m	m	kg	m	m	kg	
15,2	74,4	88,2	19 200 *c							15,2
16,0	73,3	87,9	19 000 *c							16,0
18,0	70,3	87,3	18 300 *b							18,0
20,0	67,2	86,5	17 500 *b							20,0
22,0	64,0	85,6	16 700 *b	69,2	86,7	18 600 *b				22,0
24,0	60,7	84,6	15 700 *	66,1	85,9	18 400 *				24,0
26,0	57,3	83,4	14 800 *	62,9	84,9	18 100	66,9	85,7	17 100	26,0
28,0	53,8	82,0	13 900 *	59,6	83,8	16 700	63,7	84,8	15 500	28,0
30,0	50,2	80,4	13 100 *	56,2	82,6	15 200	60,4	83,7	14 200	30,0
32,0	46,3	78,6	12 200 *	52,6	81,1	14 000	57,0	82,5	13 000	32,0
34,0	42,1	76,6	11 400 *	48,9	79,5	12 900	53,5	81,1	12 000	34,0
36,0	37,6	74,2	10 700 *	44,9	77,6	11 900	49,8	79,5	11 100	36,0
38,0	32,6	71,3	10 000 *	40,7	75,5	11 100	45,9	77,7	10 300	38,0
40,0	26,7	67,8	9 400 *	36,0	73,0	10 300	41,7	75,6	9 600	40,0
42,0	19,4	63,1	8 800 *	30,8	69,9	9 600	37,2	73,2	8 900	42,0
44,0	6,3	54,4	8 400 *	24,5	66,1	9 000	32,1	70,3	8 300	44,0
46,0				16,2	60,7	8 400	26,1	66,7	7 800	46,0
48,0							18,5	61,8	7 300	48,0
50,0										50,0
52,0										52,0
54,0										54,0
56,0										56,0

MLC165 S-2

ASME B30.5



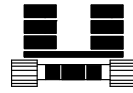
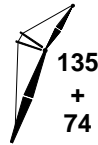
55 110 kg
+
16 010 kg



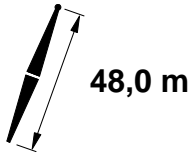
m	75°			70°			m
	m	m	kg	m	m	kg	
15,2							15,2
16,0							16,0
18,0							18,0
20,0							20,0
22,0							22,0
24,0							24,0
26,0							26,0
28,0							28,0
30,0							30,0
32,0							32,0
34,0	60,5	82,8	10 500				34,0
36,0	57,2	81,6	9 700				36,0
38,0	53,6	80,2	9 000				38,0
40,0	50,0	78,6	8 400	57,1	80,2	7 200	40,0
42,0	46,1	76,8	7 800	53,6	78,9	6 700	42,0
44,0	41,9	74,7	7 300	49,9	77,3	6 200	44,0
46,0	37,4	72,3	6 800	46,0	75,5	5 700	46,0
48,0	32,3	69,5	6 300	41,8	73,4	5 400	48,0
50,0	26,4	65,9	5 900	37,3	71,0	5 000	50,0
52,0	18,9	61,1	5 500	32,2	68,1	4 700	52,0
54,0				26,3	64,5	4 400	54,0
56,0				18,8	59,7	4 100	56,0




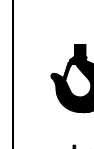

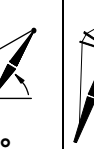
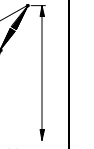



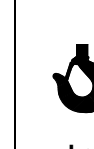
MLC165 S-2

ASME B30.5



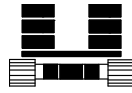
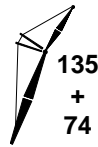
55 110 kg
+
16 010 kg



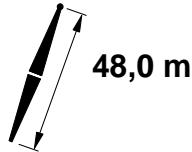
	87°			83°			80°					
	 m	 °	 m	 kg	 °	 m	 kg	 °	 m		 kg	 °
16,8	73,5	90,9	17 100 *c									16,8
18,0	71,7	90,5	16 800 *b									18,0
20,0	68,9	89,8	16 200 *b									20,0
22,0	66,0	89,0	15 500 *b									22,0
24,0	63,0	88,0	14 700 *	67,9	89,2	17 100 *						24,0
26,0	59,9	86,9	14 000 *	65,0	88,3	16 800 *						26,0
28,0	56,8	85,7	13 200 *	62,0	87,3	16 200	65,7	88,1	15 400			28,0
30,0	53,5	84,3	12 500 *	58,9	86,2	15 100	62,7	87,2	14 000			30,0
32,0	50,1	82,7	11 700 *	55,7	84,9	13 800	59,6	86,1	12 800			32,0
34,0	46,5	80,9	11 000 *	52,4	83,4	12 700	56,5	84,8	11 800			34,0
36,0	42,7	78,9	10 300 *	48,9	81,8	11 800	53,2	83,4	10 900			36,0
38,0	38,5	76,6	9 700 *	45,2	79,9	10 900	49,8	81,8	10 100			38,0
40,0	34,0	73,8	9 100 *	41,3	77,8	10 200	46,1	80,0	9 400			40,0
42,0	28,8	70,6	8 600 *	37,1	75,4	9 500	42,3	78,0	8 800			42,0
44,0	22,6	66,4	8 100 *	32,3	72,5	8 900	38,1	75,6	8 200			44,0
46,0	14,1	60,4	7 700 *	26,9	69,0	8 300	33,5	72,8	7 700			46,0
48,0				20,2	64,4	7 800	28,3	69,5	7 200			48,0
50,0				9,8	56,9	7 300	22,0	65,2	6 700			50,0
52,0												52,0
54,0												54,0
56,0												56,0
58,0												58,0
60,0												60,0

MLC165 S-2

ASME B30.5



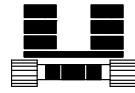
55 110 kg
+
16 010 kg



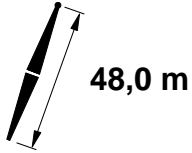
m	75°			70°			m
	m	m	kg	m	m	kg	
16,8							16,8
18,0							18,0
20,0							20,0
22,0							22,0
24,0							24,0
26,0							26,0
28,0							28,0
30,0							30,0
32,0							32,0
34,0							34,0
36,0	59,8	85,1	9 600				36,0
38,0	56,6	83,9	8 800				38,0
40,0	53,3	82,5	8 200				40,0
42,0	49,9	80,9	7 600	56,6	82,6	6 500	42,0
44,0	46,3	79,1	7 100	53,3	81,2	6 000	44,0
46,0	42,4	77,1	6 600	49,8	79,6	5 600	46,0
48,0	38,3	74,7	6 200	46,2	77,8	5 200	48,0
50,0	33,7	72,0	5 800	42,4	75,7	4 900	50,0
52,0	28,5	68,7	5 400	38,2	73,4	4 500	52,0
54,0	22,3	64,4	5 000	33,7	70,6	4 200	54,0
56,0	13,5	58,2	4 700	28,5	67,3	3 900	56,0
58,0				22,2	63,1	3 700	58,0
60,0				13,4	56,8	3 400	60,0

MLC165 S-2

ASME B30.5



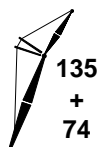
55 110 kg
+
16 010 kg



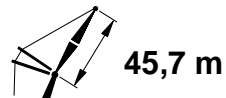
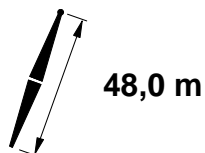
m	87°			83°			80°			m
	m	m	kg	m	m	kg	m	m	kg	
16,8	74,6	94,1	15 600 *c							16,8
18,0	73,0	93,7	15 300 *b							18,0
20,0	70,3	93,0	14 900 *b							20,0
22,0	67,7	92,3	14 300 *b							22,0
24,0	64,9	91,4	13 700 *	69,4	92,5	15 700 *				24,0
26,0	62,1	90,4	13 100 *	66,7	91,7	15 400 *				26,0
28,0	59,2	89,3	12 500 *	64,0	90,7	15 000 *				28,0
30,0	56,3	88,0	11 800 *	61,2	89,7	14 600 *	64,7	90,6	14 000	30,0
32,0	53,2	86,6	11 200 *	58,3	88,5	13 700	61,9	89,6	12 800	32,0
34,0	50,0	85,0	10 600 *	55,3	87,2	12 700	59,0	88,4	11 800	34,0
36,0	46,7	83,2	10 000 *	52,2	85,8	11 700	56,0	87,1	10 900	36,0
38,0	43,1	81,2	9 400 *	48,9	84,1	10 900	52,9	85,7	10 100	38,0
40,0	39,3	78,9	8 800 *	45,5	82,3	10 100	49,7	84,1	9 400	40,0
42,0	35,1	76,3	8 300 *	41,9	80,2	9 500	46,3	82,3	8 700	42,0
44,0	30,5	73,2	7 800 *	38,0	77,8	8 900	42,8	80,3	8 200	44,0
46,0	25,2	69,4	7 400 *	33,7	75,0	8 300	38,9	78,0	7 600	46,0
48,0	18,4	64,4	7 100 *	28,8	71,7	7 700	34,7	75,3	7 200	48,0
50,0	7,0	55,5	6 700 *	23,1	67,6	7 300	30,1	72,1	6 700	50,0
52,0				15,5	61,9	6 800	24,6	68,3	6 300	52,0
54,0							17,6	63,1	5 900	54,0
56,0										56,0
58,0										58,0

MLC165 S-2

ASME B30.5



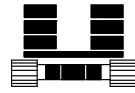
55 110 kg
+
16 010 kg



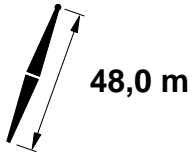
m	75°		
	m	m	kg
16,8			
18,0			
20,0			
22,0			
24,0			
26,0			
28,0			
30,0			
32,0			
34,0			
36,0			
38,0	59,1	87,5	8 800
40,0	56,1	86,2	8 100
42,0	53,0	84,8	7 600
44,0	49,8	83,2	7 000
46,0	46,5	81,4	6 600
48,0	42,9	79,4	6 100
50,0	39,1	77,1	5 700
52,0	34,9	74,4	5 400
54,0	30,3	71,3	5 100
56,0	24,8	67,5	4 700
58,0	18,0	62,4	4 400

MLC165 S-2

ASME B30.5



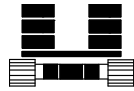
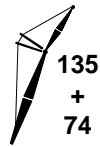
55 110 kg
+
16 010 kg



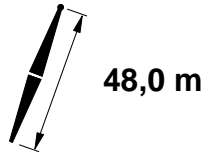
m	87°			83°			80°			m
	m	m	kg	m	m	kg	m	m	kg	
18,3	73,7	96,8	14 000 *b							18,3
20,0	71,6	96,3	13 600 *b							20,0
22,0	69,1	95,6	13 200 *b							22,0
24,0	66,6	94,7	12 700 *							24,0
26,0	64,0	93,8	12 200 *	68,3	95,0	14 000 *				26,0
28,0	61,3	92,8	11 700 *	65,7	94,1	13 700 *				28,0
30,0	58,6	91,6	11 100 *	63,1	93,2	13 400 *	66,3	93,9	13 200 *	30,0
32,0	55,8	90,3	10 600 *	60,5	92,1	13 000 *	63,8	93,0	12 700	32,0
34,0	52,9	88,9	10 100 *	57,7	90,9	12 400	61,1	91,9	11 600	34,0
36,0	49,9	87,3	9 500 *	54,9	89,5	11 600	58,4	90,8	10 700	36,0
38,0	46,8	85,5	9 000 *	52,0	88,1	10 700	55,6	89,5	9 900	38,0
40,0	43,5	83,6	8 600 *	48,9	86,4	10 000	52,7	88,0	9 200	40,0
42,0	40,0	81,3	8 100 *	45,7	84,6	9 300	49,7	86,4	8 600	42,0
44,0	36,1	78,8	7 700 *	42,3	82,5	8 700	46,5	84,6	8 000	44,0
46,0	31,9	75,8	7 200 *	38,7	80,2	8 100	43,2	82,6	7 500	46,0
48,0	27,2	72,3	6 800 *	34,8	77,5	7 600	39,6	80,3	7 000	48,0
50,0	21,5	67,8	6 500 *	30,4	74,4	7 200	35,8	77,8	6 600	50,0
52,0	13,7	61,5	6 200 *	25,4	70,6	6 700	31,5	74,7	6 200	52,0
54,0				19,2	65,7	6 300	26,7	71,2	5 800	54,0
56,0				9,8	58,0	5 900	20,9	66,6	5 400	56,0
58,0										58,0
60,0										60,0
62,0										62,0

MLC165 S-2

ASME B30.5



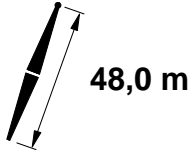
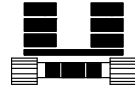
55 110 kg
+
16 010 kg



m	75°		
	m	m	kg
18,3			
20,0			
22,0			
24,0			
26,0			
28,0			
30,0			
32,0			
34,0			
36,0			
38,0			
40,0	58,5	89,9	8 000
42,0	55,7	88,6	7 400
44,0	52,8	87,1	6 900
46,0	49,8	85,5	6 400
48,0	46,6	83,7	6 000
50,0	43,3	81,7	5 600
52,0	39,8	79,5	5 200
54,0	35,9	76,9	4 900
56,0	31,7	73,9	4 600
58,0	26,9	70,3	4 300
60,0	21,1	65,8	4 000
62,0	13,1	59,4	3 700

MLC165 S-2

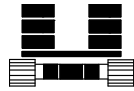
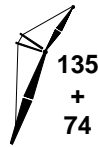
ASME B30.5



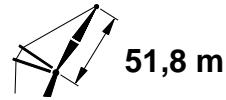
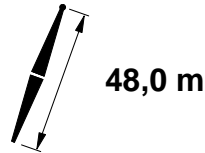
m	87°			83°			80°			m
	m	m	kg	m	m	kg	m	m	kg	
18,3	74,7	100,0	12 700 *b							18,3
20,0	72,7	99,5	12 400 *b							20,0
22,0	70,4	98,8	12 100 *b							22,0
24,0	68,0	98,0	11 700 *							24,0
26,0	65,6	97,2	11 300 *	69,6	98,2	12 400 *				26,0
28,0	63,2	96,2	10 800 *	67,2	97,4	12 300 *				28,0
30,0	60,7	95,2	10 400 *	64,8	96,5	12 200 *				30,0
32,0	58,1	94,0	10 000 *	62,3	95,5	11 900 *	65,4	96,4	11 600 *	32,0
34,0	55,5	92,7	9 500 *	59,8	94,4	11 300 *	62,9	95,4	11 500 *	34,0
36,0	52,7	91,2	9 100 *	57,2	93,2	10 700 *	60,4	94,3	10 600 *	36,0
38,0	49,9	89,6	8 600 *	54,6	91,9	10 200 *	57,9	93,1	9 800 *	38,0
40,0	46,9	87,8	8 200 *	51,8	90,4	9 600 *	55,2	91,8	9 100 *	40,0
42,0	43,8	85,9	7 800 *	48,9	88,7	9 000 *	52,5	90,3	8 500 *	42,0
44,0	40,5	83,7	7 400 *	45,9	86,9	8 400 *	49,6	88,7	7 900 *	44,0
46,0	37,0	81,2	7 000 *	42,8	84,8	7 900 *	46,7	86,9	7 400 *	46,0
48,0	33,1	78,3	6 500 *	39,4	82,5	7 400 *	43,5	84,9	6 900 *	48,0
50,0	28,9	75,0	6 000 *	35,8	79,9	6 900 *	40,2	82,7	6 400 *	50,0
52,0	23,9	71,0	5 400 *	31,8	76,9	6 400 *	36,7	80,2	6 100 *	52,0
54,0	17,6	65,7	4 900 *	27,3	73,4	5 800 *	32,8	77,3	5 700 *	54,0
56,0	7,4	56,7	4 500 *	22,0	69,0	5 300 *	28,4	73,9	5 300 *	56,0
58,0				15,0	63,1	4 800 *	23,4	69,8	5 000 *	58,0
60,0							16,9	64,3	4 700 *	60,0
62,0										62,0
64,0										64,0

MLC165 S-2

ASME B30.5



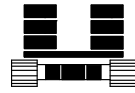
55 110 kg
+
16 010 kg



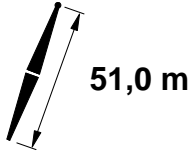
	75°		
m	°	m	kg
18,3			
20,0			
22,0			
24,0			
26,0			
28,0			
30,0			
32,0			
34,0			
36,0			
38,0			
40,0	60,5	93,4	7 800
42,0	58,0	92,2	7 300
44,0	55,3	90,9	6 800
46,0	52,6	89,4	6 300
48,0	49,7	87,8	5 900
50,0	46,8	86,0	5 500
52,0	43,6	84,0	5 100
54,0	40,3	81,8	4 800
56,0	36,8	79,3	4 400
58,0	32,9	76,4	4 200
60,0	28,6	73,1	3 900
62,0	23,6	69,0	3 600
64,0	17,2	63,6	3 400

MLC165 S-2

ASME B30.5



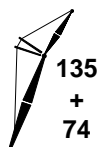
55 110 kg
+
16 010 kg



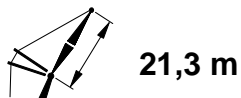
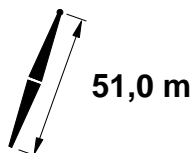
m	87°			83°			80°			m
	m	m	kg	m	m	kg	m	m	kg	
10,4	74,8	73,6	33 600 *d							10,4
12,0	70,2	73,0	33 200 *d							12,0
14,0	64,4	72,2	31 000 *c							14,0
16,0	58,3	71,1	28 500 *c							16,0
18,0	51,7	69,7	26 200 *b	63,0	71,6	28 600 *b				18,0
20,0	44,5	67,9	23 900 *b	56,8	70,5	26 200 b	64,9	71,5	24 600 c	20,0
22,0	36,2	65,6	21 900 *b	50,1	69,0	23 200 b	58,8	70,4	21 800 b	22,0
24,0	25,7	62,2	20 000 *	42,7	67,1	20 800	52,3	69,1	19 500 b	24,0
26,0				34,0	64,6	18 700	45,1	67,3	17 600	26,0
28,0				22,7	60,8	17 000	37,0	65,0	16 000	28,0
30,0							26,8	61,8	14 600	30,0
32,0							9,4	55,7	13 300	32,0
34,0										34,0
36,0										36,0
38,0										38,0
40,0										40,0
42,0										42,0
44,0										44,0

MLC165 S-2

ASME B30.5



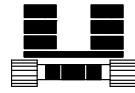
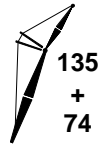
55 110 kg
+
16 010 kg



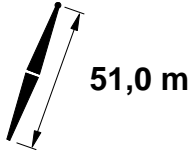
m	75°			70°			65°			m
	m	m	kg	m	m	kg	m	m	kg	
10,4										10,4
12,0										12,0
14,0										14,0
16,0										16,0
18,0										18,0
20,0										20,0
22,0										22,0
24,0										24,0
26,0	59,8	69,6	15 700 b							26,0
28,0	53,4	68,3	14 200 b							28,0
30,0	46,4	66,6	13 000							30,0
32,0	38,4	64,4	11 900	54,1	67,1	10 400 b				32,0
34,0	28,7	61,4	11 000	47,2	65,4	9 600 b				34,0
36,0	13,8	56,3	10 100	39,4	63,3	8 900				36,0
38,0				29,9	60,4	8 200	47,5	63,7	7 000	38,0
40,0							39,7	61,7	6 500	40,0
42,0							30,4	58,8	6 000	42,0
44,0							17,0	54,2	5 600	44,0

MLC165 S-2

ASME B30.5



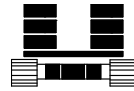
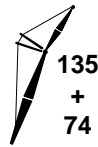
55 110 kg
+
16 010 kg



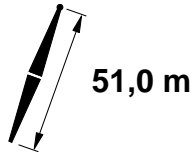
m	87°			83°			80°			m
	m	m	kg	m	m	kg	m	m	kg	
11,6	73,8	76,4	30 800 *d							11,6
12,0	72,8	76,3	30 500 *d							12,0
14,0	67,8	75,5	28 800 *c							14,0
16,0	62,6	74,6	26 800 *c							16,0
18,0	57,1	73,5	24 700 *b	66,6	75,0	27 600 *c				18,0
20,0	51,4	72,0	22 700 *b	61,4	74,0	25 600 b				20,0
22,0	45,0	70,2	20 800 *b	55,9	72,8	23 100 b	63,1	73,9	21 600 b	22,0
24,0	38,0	68,0	19 100 *	50,0	71,3	20 600	57,6	72,8	19 300 b	24,0
26,0	29,5	65,0	17 600 *	43,5	69,4	18 600	51,9	71,4	17 400	26,0
28,0	17,7	60,4	16 300 *	36,2	67,0	17 000	45,6	69,6	15 900	28,0
30,0				27,2	63,8	15 500	38,6	67,4	14 500	30,0
32,0				13,7	58,4	14 200	30,3	64,5	13 300	32,0
34,0							19,0	60,1	12 200	34,0
36,0										36,0
38,0										38,0
40,0										40,0
42,0										42,0
44,0										44,0
46,0										46,0

MLC165 S-2

ASME B30.5



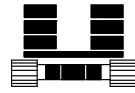
55 110 kg
+
16 010 kg



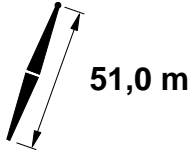
	75°			70°			65°			
	m	m	kg	m	m	kg	m	m	kg	m
11,6										11,6
12,0										12,0
14,0										14,0
16,0										16,0
18,0										18,0
20,0										20,0
22,0										22,0
24,0										24,0
26,0										26,0
28,0	58,6	72,0	14 000 b							28,0
30,0	52,9	70,6	12 800							30,0
32,0	46,7	68,9	11 700							32,0
34,0	39,8	66,8	10 800	53,5	69,4	9 400 b				34,0
36,0	31,8	64,0	10 000	47,4	67,7	8 700				36,0
38,0	21,3	60,0	9 200	40,7	65,7	8 000				38,0
40,0				32,8	63,0	7 400	47,7	66,1	6 300	40,0
42,0				22,7	59,2	6 900	41,0	64,0	5 800	42,0
44,0							33,2	61,4	5 400	44,0
46,0							23,2	57,6	5 000	46,0

MLC165 S-2

ASME B30.5



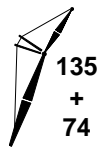
55 110 kg
+
16 010 kg



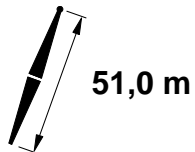
m	87°			83°			80°			m
	m	m	kg	m	kg	m	kg	m		
12,2	74,3	79,4	27 900 *d						12,2	
14,0	70,3	78,8	26 600 *c						14,0	
16,0	65,8	78,0	25 000 *c						16,0	
18,0	61,2	77,0	23 300 *b						18,0	
20,0	56,3	75,8	21 600 *b	64,8	77,4	24 800 *b			20,0	
22,0	51,1	74,3	20 000 *b	60,1	76,4	22 900 b	66,2	77,3	21 500 b	22,0
24,0	45,5	72,5	18 400 *	55,1	75,1	20 600	61,6	76,3	19 200 b	24,0
26,0	39,3	70,4	16 900 *	49,9	73,6	18 600	56,7	75,1	17 300	26,0
28,0	32,1	67,6	15 600 *	44,1	71,7	16 900	51,6	73,7	15 800	28,0
30,0	23,1	63,7	14 400 *	37,8	69,4	15 400	46,0	71,9	14 400	30,0
32,0	7,0	56,3	13 300 *	30,3	66,5	14 200	39,9	69,8	13 200	32,0
34,0				20,6	62,2	13 100	32,8	67,1	12 200	34,0
36,0							24,1	63,4	11 300	36,0
38,0							9,6	56,7	10 400	38,0
40,0										40,0
42,0										42,0
44,0										44,0
46,0										46,0
48,0										48,0
50,0										50,0

MLC165 S-2

ASME B30.5



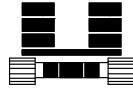
55 110 kg
+
16 010 kg



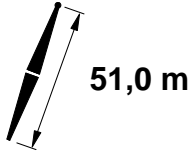
m	75°			70°			65°			m
	m	m	kg	m	m	kg	m	m	kg	
12,2										12,2
14,0										14,0
16,0										16,0
18,0										18,0
20,0										20,0
22,0										22,0
24,0										24,0
26,0										26,0
28,0										28,0
30,0	57,5	74,3	12 700							30,0
32,0	52,4	72,9	11 700							32,0
34,0	47,0	71,2	10 700							34,0
36,0	40,9	69,1	9 900	53,0	71,7	8 600				36,0
38,0	34,1	66,5	9 200	47,6	70,0	7 900				38,0
40,0	25,7	63,1	8 500	41,7	68,0	7 300				40,0
42,0	13,1	57,4	7 900	34,9	65,5	6 800	47,9	68,4	5 700	42,0
44,0				26,8	62,1	6 300	41,9	66,3	5 300	44,0
46,0							35,2	63,8	4 900	46,0
48,0							27,2	60,5	4 600	48,0
50,0							15,7	55,4	4 200	50,0

MLC165 S-2

ASME B30.5



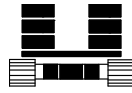
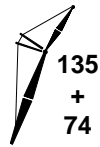
55 110 kg
+
16 010 kg



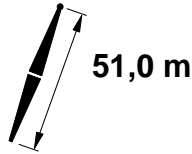
m	87°			83°			80°			m
	m	m	kg	m	m	kg	m	m	kg	
13,7	72,9	82,1	24 700 *c							13,7
14,0	72,4	82,0	24 500 *c							14,0
16,0	68,4	81,3	23 300 *c							16,0
18,0	64,3	80,4	21 900 *b							18,0
20,0	60,0	79,4	20 400 *b	67,5	80,8	23 800 *b				20,0
22,0	55,6	78,1	19 000 *b	63,3	79,9	22 300 *b				22,0
24,0	50,9	76,6	17 600 *	59,0	78,8	20 500	64,6	79,7	19 000 b	24,0
26,0	45,9	74,8	16 300 *	54,5	77,4	18 400	60,4	78,7	17 200	26,0
28,0	40,4	72,7	15 000 *	49,8	75,9	16 700	56,0	77,5	15 600	28,0
30,0	34,1	70,1	13 900 *	44,6	74,0	15 300	51,3	76,0	14 300	30,0
32,0	26,7	66,7	12 900 *	39,0	71,8	14 100	46,3	74,2	13 100	32,0
34,0	16,5	61,6	12 000 *	32,6	69,0	12 900	40,9	72,1	12 100	34,0
36,0				24,7	65,4	12 000	34,7	69,6	11 200	36,0
38,0				13,1	59,5	11 100	27,4	66,2	10 300	38,0
40,0							17,6	61,4	9 600	40,0
42,0										42,0
44,0										44,0
46,0										46,0
48,0										48,0

MLC165 S-2

ASME B30.5



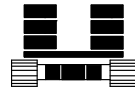
55 110 kg
+
16 010 kg



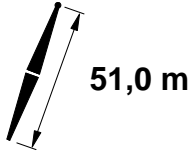
m	75°			70°			m
	m	m	kg	m	m	kg	
13,7							13,7
14,0							14,0
16,0							16,0
18,0							18,0
20,0							20,0
22,0							22,0
24,0							24,0
26,0							26,0
28,0							28,0
30,0							30,0
32,0	56,7	76,6	11 500				32,0
34,0	52,1	75,2	10 500				34,0
36,0	47,2	73,5	9 700				36,0
38,0	41,8	71,5	9 000	52,6	74,0	7 700	38,0
40,0	35,8	69,0	8 400	47,7	72,3	7 100	40,0
42,0	28,8	65,8	7 800	42,4	70,3	6 600	42,0
44,0	19,6	61,4	7 300	36,5	67,9	6 200	44,0
46,0				29,6	64,8	5 700	46,0
48,0				20,8	60,6	5 300	48,0

MLC165 S-2

ASME B30.5



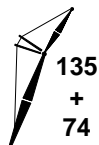
55 110 kg
+
16 010 kg



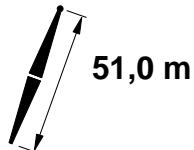
m	87°			83°			80°			m
	m	m	kg	m	m	kg	m	m	kg	
13,7	74,5	85,3	21 400 *c							13,7
14,0	74,0	85,2	21 300 *c							14,0
16,0	70,4	84,6	20 900 *c							16,0
18,0	66,8	83,8	20 100 *b							18,0
20,0	63,0	82,8	18 900 *b	69,6	84,0	20 900 *b				20,0
22,0	59,1	81,7	17 700 *b	65,9	83,2	20 600 *b				22,0
24,0	55,0	80,4	16 600 *	62,1	82,2	19 800 *				24,0
26,0	50,7	78,9	15 500 *	58,2	81,1	18 400	63,3	82,1	17 200	26,0
28,0	46,2	77,2	14 300 *	54,0	79,8	16 700	59,4	81,1	15 600	28,0
30,0	41,2	75,1	13 300 *	49,7	78,2	15 300	55,4	79,8	14 200	30,0
32,0	35,7	72,5	12 400 *	45,1	76,3	14 100	51,1	78,3	13 100	32,0
34,0	29,3	69,4	11 600 *	40,0	74,2	12 900	46,6	76,5	12 100	34,0
36,0	21,3	65,2	10 800 *	34,3	71,5	12 000	41,7	74,5	11 200	36,0
38,0	7,7	57,5	10 300 *	27,7	68,2	11 100	36,2	72,0	10 300	38,0
40,0				19,1	63,6	10 400	30,0	68,9	9 600	40,0
42,0							22,2	64,8	9 000	42,0
44,0							9,7	57,8	8 400	44,0
46,0										46,0
48,0										48,0
50,0										50,0

MLC165 S-2

ASME B30.5



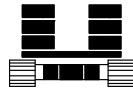
55 110 kg
+
16 010 kg



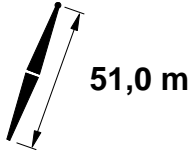
m	75°			70°			m
	m	m	kg	m	m	kg	
13,7							13,7
14,0							14,0
16,0							16,0
18,0							18,0
20,0							20,0
22,0							22,0
24,0							24,0
26,0							26,0
28,0							28,0
30,0							30,0
32,0	60,1	80,2	11 400				32,0
34,0	56,1	79,0	10 500				34,0
36,0	51,8	77,5	9 700				36,0
38,0	47,3	75,8	9 000				38,0
40,0	42,5	73,8	8 400	52,3	76,3	7 200	40,0
42,0	37,2	71,4	7 800	47,9	74,6	6 600	42,0
44,0	31,1	68,5	7 300	43,1	72,7	6 200	44,0
46,0	23,6	64,6	6 800	37,8	70,3	5 700	46,0
48,0	12,6	58,5	6 400	31,8	67,4	5 300	48,0
50,0				24,6	63,7	5 000	50,0

MLC165 S-2

ASME B30.5



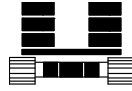
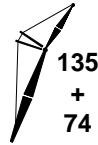
55 110 kg
+
16 010 kg



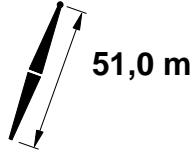
m	87°			83°			80°			m
	m	m	kg	m	m	kg	m	m	kg	
15,2	73,4	88,0	19 700 *c							15,2
16,0	72,1	87,8	19 400 *c							16,0
18,0	68,8	87,1	18 500 *b							18,0
20,0	65,4	86,2	17 600 *b							20,0
22,0	61,9	85,2	16 700 *b	68,0	86,5	19 300 *b				22,0
24,0	58,3	84,1	15 700 *	64,6	85,7	18 900 *				24,0
26,0	54,5	82,8	14 700 *	61,1	84,6	17 900	65,7	85,5	17 000	26,0
28,0	50,6	81,2	13 800 *	57,4	83,4	16 600	62,2	84,5	15 400	28,0
30,0	46,4	79,5	12 900 *	53,6	82,1	15 100	58,6	83,4	14 100	30,0
32,0	41,9	77,4	12 000 *	49,6	80,5	13 900	54,9	82,1	12 900	32,0
34,0	37,0	75,0	11 200 *	45,4	78,7	12 800	50,9	80,6	11 900	34,0
36,0	31,4	72,0	10 400 *	40,8	76,5	11 900	46,8	78,8	11 000	36,0
38,0	24,7	68,3	9 800 *	35,7	74,0	11 000	42,3	76,8	10 200	38,0
40,0	15,6	62,8	9 200 *	30,0	70,9	10 300	37,4	74,4	9 500	40,0
42,0				22,9	66,9	9 600	31,9	71,5	8 900	42,0
44,0				12,7	60,6	8 900	25,4	67,9	8 300	44,0
46,0							16,6	62,6	7 700	46,0
48,0										48,0
50,0										50,0
52,0										52,0
54,0										54,0

MLC165 S-2

ASME B30.5



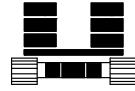
55 110 kg
+
16 010 kg



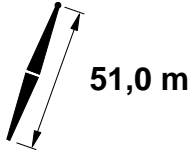
m	75°			70°			m
	m	m	kg	m	m	kg	
15,2							15,2
16,0							16,0
18,0							18,0
20,0							20,0
22,0							22,0
24,0							24,0
26,0							26,0
28,0							28,0
30,0							30,0
32,0	62,8	83,7	11 200				32,0
34,0	59,2	82,6	10 400				34,0
36,0	55,5	81,3	9 600				36,0
38,0	51,6	79,8	8 800				38,0
40,0	47,5	78,1	8 200	55,9	80,1	6 900	40,0
42,0	43,1	76,1	7 700	52,0	78,6	6 500	42,0
44,0	38,3	73,8	7 100	48,0	76,9	6 000	44,0
46,0	32,9	71,0	6 600	43,6	75,0	5 600	46,0
48,0	26,5	67,5	6 200	38,8	72,7	5 200	48,0
50,0	18,3	62,7	5 800	33,5	70,0	4 900	50,0
52,0				27,3	66,6	4 500	52,0
54,0				19,4	61,9	4 200	54,0

MLC165 S-2

ASME B30.5



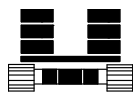
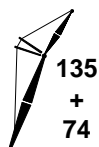
55 110 kg
+
16 010 kg



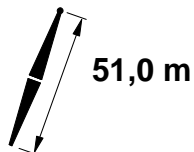
m	87°			83°			80°			m
	m	m	kg	m	m	kg	m	m	kg	
15,2	74,7	91,2	18 000 *c							15,2
16,0	73,5	91,0	17 800 *c							16,0
18,0	70,5	90,3	17 200 *b							18,0
20,0	67,4	89,6	16 400 *b							20,0
22,0	64,2	88,7	15 600 *b	69,8	89,8	18 000 *b				22,0
24,0	61,0	87,6	14 800 *	66,7	89,0	17 600 *				24,0
26,0	57,6	86,4	14 000 *	63,5	88,1	17 100 *	67,7	88,8	16 800	26,0
28,0	54,1	85,1	13 100 *	60,2	87,0	16 400	64,5	88,0	15 300	28,0
30,0	50,5	83,5	12 300 *	56,8	85,8	15 100	61,3	86,9	13 900	30,0
32,0	46,6	81,8	11 600 *	53,3	84,4	13 800	57,9	85,8	12 800	32,0
34,0	42,5	79,7	10 800 *	49,6	82,8	12 700	54,4	84,4	11 800	34,0
36,0	38,0	77,4	10 100 *	45,7	81,0	11 800	50,8	82,9	10 900	36,0
38,0	33,0	74,6	9 500 *	41,5	78,9	10 900	46,9	81,1	10 100	38,0
40,0	27,2	71,1	8 900 *	36,9	76,4	10 200	42,8	79,1	9 400	40,0
42,0	20,0	66,5	8 400 *	31,8	73,5	9 500	38,4	76,8	8 800	42,0
44,0	8,1	58,6	7 900 *	25,8	69,8	8 900	33,5	74,0	8 200	44,0
46,0				18,0	64,9	8 300	27,8	70,7	7 600	46,0
48,0							20,8	66,2	7 200	48,0
50,0							9,8	58,9	6 700	50,0
52,0										52,0
54,0										54,0
56,0										56,0

MLC165 S-2

ASME B30.5



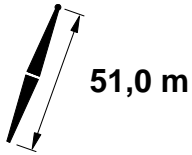
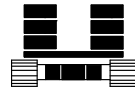
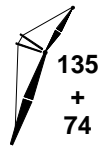
55 110 kg
+
16 010 kg






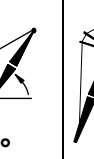





m	75°			70°			m
	m	m	kg	m	m	kg	
15,2							15,2
16,0							16,0
18,0							18,0
20,0							20,0
22,0							22,0
24,0							24,0
26,0							26,0
28,0							28,0
30,0							30,0
32,0							32,0
34,0	61,8	86,1	10 200				34,0
36,0	58,5	84,9	9 400				36,0
38,0	55,0	83,6	8 700				38,0
40,0	51,4	82,1	8 100				40,0
42,0	47,6	80,4	7 500	55,4	82,4	6 300	42,0
44,0	43,5	78,5	7 000	51,8	80,9	5 800	44,0
46,0	39,2	76,2	6 600	48,0	79,2	5 500	46,0
48,0	34,3	73,5	6 100	44,0	77,3	5 100	48,0
50,0	28,8	70,3	5 700	39,7	75,1	4 700	50,0
52,0	22,1	66,1	5 400	34,9	72,4	4 400	52,0
54,0	12,3	59,6	5 000	29,5	69,3	4 100	54,0
56,0				22,9	65,2	3 800	56,0

MLC165 S-2

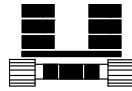
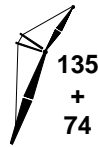
ASME B30.5



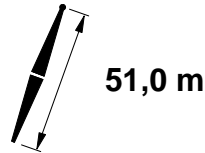
	87°			83°			80°			
	 m	 m	 m	 kg	 m	 kg	 m	 kg	 m	
16,8	73,7	93,9	16 100 *c							16,8
18,0	71,9	93,5	15 800 *b							18,0
20,0	69,1	92,8	15 200 *b							20,0
22,0	66,2	92,0	14 600 *b							22,0
24,0	63,2	91,1	13 900 *	68,4	92,3	16 100 *				24,0
26,0	60,2	90,0	13 200 *	65,5	91,5	15 800 *				26,0
28,0	57,0	88,8	12 400 *	62,5	90,5	15 300 *	66,4	91,3	15 100	28,0
30,0	53,8	87,4	11 800 *	59,5	89,4	14 700	63,5	90,4	13 800	30,0
32,0	50,4	85,8	11 100 *	56,3	88,1	13 700	60,4	89,3	12 600	32,0
34,0	46,8	84,1	10 400 *	53,0	86,7	12 600	57,3	88,1	11 600	34,0
36,0	43,0	82,1	9 800 *	49,5	85,1	11 600	54,1	86,7	10 800	36,0
38,0	38,9	79,7	9 200 *	45,9	83,3	10 800	50,7	85,2	10 000	38,0
40,0	34,4	77,1	8 600 *	42,1	81,2	10 100	47,1	83,4	9 300	40,0
42,0	29,3	73,8	8 100 *	37,9	78,8	9 400	43,3	81,5	8 600	42,0
44,0	23,2	69,8	7 700 *	33,3	76,0	8 800	39,2	79,2	8 000	44,0
46,0	15,0	64,0	7 300 *	28,0	72,6	8 200	34,8	76,5	7 500	46,0
48,0				21,6	68,3	7 700	29,7	73,4	7 000	48,0
50,0				12,3	61,7	7 200	23,8	69,4	6 600	50,0
52,0							15,8	63,8	6 200	52,0
54,0										54,0
56,0										56,0

MLC165 S-2

ASME B30.5



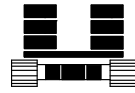
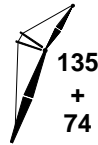
55 110 kg
+
16 010 kg



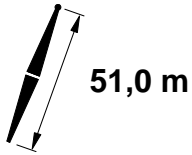
m	75°		
	m	m	kg
16,8			
18,0			
20,0			
22,0			
24,0			
26,0			
28,0			
30,0			
32,0			
34,0			
36,0	61,0	88,5	9 200
38,0	57,8	87,3	8 600
40,0	54,6	85,9	7 900
42,0	51,2	84,4	7 300
44,0	47,7	82,7	6 800
46,0	44,0	80,8	6 400
48,0	39,9	78,6	6 000
50,0	35,5	76,0	5 600
52,0	30,6	72,9	5 200
54,0	24,9	69,1	4 900
56,0	17,4	63,9	4 500




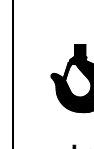

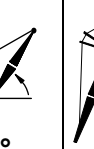
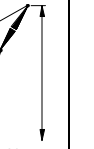



MLC165 S-2

ASME B30.5



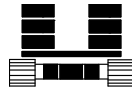
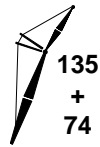
55 110 kg
+
16 010 kg



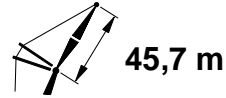
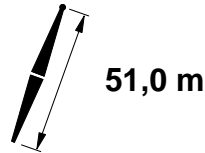
	87°			83°			80°				
	 m	 °	 m	 kg	 °	 m	 kg	 °	 m		 kg
16,8	74,8	97,1	14 700 *c								16,8
18,0	73,2	96,7	14 500 *b								18,0
20,0	70,5	96,1	14 000 *b								20,0
22,0	67,9	95,3	13 500 *b								22,0
24,0	65,1	94,5	13 000 *								24,0
26,0	62,3	93,5	12 300 *	67,2	94,8	14 500 *					26,0
28,0	59,5	92,4	11 800 *	64,5	93,9	14 100 *					28,0
30,0	56,5	91,1	11 200 *	61,7	92,9	13 700 *	65,4	93,7	13 700		30,0
32,0	53,5	89,7	10 600 *	58,8	91,7	13 300 *	62,6	92,8	12 600		32,0
34,0	50,3	88,1	10 000 *	55,8	90,4	12 600	59,7	91,7	11 600		34,0
36,0	46,9	86,4	9 400 *	52,7	89,0	11 600	56,8	90,4	10 700		36,0
38,0	43,4	84,4	8 900 *	49,5	87,4	10 700	53,7	89,0	9 900		38,0
40,0	39,6	82,1	8 400 *	46,1	85,6	10 000	50,6	87,5	9 200		40,0
42,0	35,5	79,5	7 900 *	42,5	83,5	9 300	47,2	85,7	8 600		42,0
44,0	30,9	76,5	7 500 *	38,7	81,2	8 700	43,7	83,8	8 000		44,0
46,0	25,6	72,7	7 100 *	34,5	78,5	8 200	39,9	81,5	7 500		46,0
48,0	19,0	67,9	6 700 *	29,8	75,3	7 700	35,9	79,0	7 000		48,0
50,0	8,4	59,7	6 500 *	24,3	71,4	7 200	31,3	76,0	6 600		50,0
52,0				17,2	66,1	6 800	26,1	72,3	6 200		52,0
54,0							19,7	67,6	5 800		54,0
56,0							9,8	60,0	5 400		56,0
58,0											58,0
60,0											60,0

MLC165 S-2

ASME B30.5



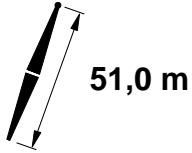
55 110 kg
+
16 010 kg



m	75°		
	m	m	kg
16,8			
18,0			
20,0			
22,0			
24,0			
26,0			
28,0			
30,0			
32,0			
34,0			
36,0			
38,0	60,2	90,8	8 500
40,0	57,3	89,6	7 900
42,0	54,2	88,3	7 300
44,0	51,1	86,7	6 800
46,0	47,8	85,0	6 300
48,0	44,3	83,1	5 900
50,0	40,6	80,9	5 500
52,0	36,6	78,4	5 200
54,0	32,1	75,5	4 800
56,0	27,0	72,0	4 500
58,0	20,9	67,5	4 200
60,0	12,0	60,7	3 900

MLC165 S-2

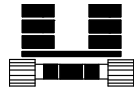
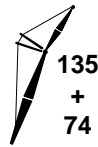
ASME B30.5



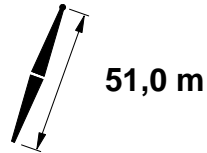
m	87°			83°			80°			m
	m	m	kg	m	m	kg	m	m	kg	
18,3	73,9	99,8	13 200 *b							18,3
20,0	71,8	99,3	12 900 *b							20,0
22,0	69,3	98,6	12 400 *b							22,0
24,0	66,8	97,8	12 000 *							24,0
26,0	64,2	96,9	11 500 *	68,7	98,1	13 200 *				26,0
28,0	61,6	95,9	11 000 *	66,2	97,2	12 900 *				28,0
30,0	58,8	94,7	10 500 *	63,6	96,3	12 700 *				30,0
32,0	56,1	93,4	10 000 *	60,9	95,2	12 300 *	64,4	96,2	12 400	32,0
34,0	53,2	92,0	9 500 *	58,2	94,1	11 900 *	61,8	95,2	11 400	34,0
36,0	50,2	90,4	9 000 *	55,4	92,8	11 400	59,1	94,0	10 500	36,0
38,0	47,1	88,7	8 500 *	52,5	91,3	10 600	56,3	92,8	9 700	38,0
40,0	43,8	86,7	8 100 *	49,5	89,7	9 900	53,4	91,4	9 000	40,0
42,0	40,2	84,5	7 700 *	46,3	87,9	9 200	50,5	89,8	8 400	42,0
44,0	36,5	81,9	7 200 *	43,0	85,9	8 600	47,3	88,0	7 800	44,0
46,0	32,3	79,0	6 900 *	39,4	83,6	8 000	44,1	86,1	7 300	46,0
48,0	27,6	75,6	6 500 *	35,5	81,0	7 500	40,6	83,9	6 900	48,0
50,0	22,0	71,2	6 200 *	31,3	77,9	7 100	36,8	81,4	6 500	50,0
52,0	14,4	65,1	5 900 *	26,4	74,3	6 600	32,7	78,5	6 000	52,0
54,0				20,5	69,7	6 200	28,0	75,1	5 600	54,0
56,0				12,1	62,8	5 900	22,5	70,9	5 300	56,0
58,0							15,3	65,0	5 000	58,0
60,0										60,0
62,0										62,0
64,0										64,0

MLC165 S-2

ASME B30.5



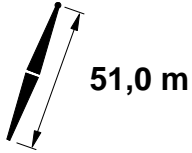
55 110 kg
+
16 010 kg



	75°		
m	°	m	kg
18,3			
20,0			
22,0			
24,0			
26,0			
28,0			
30,0			
32,0			
34,0			
36,0			
38,0			
40,0	59,5	93,2	7 700
42,0	56,8	92,0	7 100
44,0	53,9	90,6	6 600
46,0	51,0	89,0	6 200
48,0	47,9	87,3	5 700
50,0	44,6	85,4	5 400
52,0	41,2	83,3	5 000
54,0	37,4	80,8	4 700
56,0	33,4	78,0	4 400
58,0	28,8	74,7	4 100
60,0	23,5	70,6	3 800
62,0	16,7	65,1	3 600
64,0	2,5	53,3	3 300

MLC165 S-2

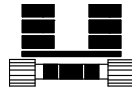
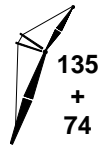
ASME B30.5



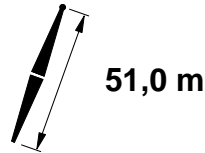
m	87°			83°			80°			m
	m	m	kg	m	m	kg	m	m	kg	
19,8	73,5	102,7	11 800 *b							19,8
20,0	73,3	102,6	11 800 *b							20,0
22,0	70,9	101,9	11 400 *b							22,0
24,0	68,6	101,2	11 100 *							24,0
26,0	66,2	100,4	10 700 *	70,4	101,4	11 600 *				26,0
28,0	63,7	99,4	10 400 *	68,0	100,7	11 500 *				28,0
30,0	61,3	98,4	9 900 *	65,6	99,8	11 400 *				30,0
32,0	58,7	97,2	9 500 *	63,2	98,9	11 200 *	66,4	99,7	10 800 *	32,0
34,0	56,1	96,0	9 100 *	60,7	97,8	10 700 *	64,0	98,7	10 800 *	34,0
36,0	53,4	94,6	8 700 *	58,1	96,6	10 200 *	61,5	97,7	10 500 *	36,0
38,0	50,6	93,0	8 300 *	55,5	95,3	9 600 *	58,9	96,6	9 700 *	38,0
40,0	47,6	91,3	7 900 *	52,7	93,8	9 100 *	56,3	95,3	8 900 *	40,0
42,0	44,6	89,3	7 500 *	49,9	92,2	8 600 *	53,6	93,9	8 300 *	42,0
44,0	41,3	87,2	7 100 *	46,9	90,5	8 000 *	50,8	92,3	7 800 *	44,0
46,0	37,8	84,8	6 600 *	43,8	88,5	7 500 *	47,9	90,6	7 200 *	46,0
48,0	34,1	82,0	6 200 *	40,5	86,3	7 100 *	44,8	88,7	6 800 *	48,0
50,0	29,9	78,8	5 700 *	37,0	83,8	6 600 *	41,6	86,6	6 400 *	50,0
52,0	25,1	75,0	5 100 *	33,2	81,0	6 200 *	38,2	84,2	5 900 *	52,0
54,0	19,2	70,0	4 700 *	28,9	77,6	5 600 *	34,4	81,5	5 600 *	54,0
56,0	10,7	62,6	4 200 *	23,9	73,6	5 100 *	30,3	78,3	5 200 *	56,0
58,0				17,6	68,3	4 600 *	25,6	74,5	4 900 *	58,0
60,0							19,8	69,8	4 600 *	60,0
62,0							11,7	62,7	4 300 *	62,0
64,0										64,0
66,0										66,0

MLC165 S-2

ASME B30.5



55 110 kg
+
16 010 kg



m	75°		
	m	m	kg
19,8			
20,0			
22,0			
24,0			
26,0			
28,0			
30,0			
32,0			
34,0			
36,0			
38,0			
40,0	61,9	96,9	7 600
42,0	59,4	95,7	7 000
44,0	56,7	94,5	6 500
46,0	54,1	93,1	6 100
48,0	51,3	91,6	5 600
50,0	48,4	89,9	5 300
52,0	45,3	88,0	4 900
54,0	42,2	85,9	4 600
56,0	38,7	83,6	4 300
58,0	35,1	80,9	4 000
60,0	31,0	77,9	3 700
62,0	26,4	74,2	3 500
64,0	20,9	69,6	3 300
66,0	13,4	63,1	3 000