

ROTATING UPPERWORKS WEIGHT AND CENTER OF GRAVITY (WU)			
EQUIPPED AS	WEIGHT (lbs)	DIM "A" (in.)	DIM "B" (in.)
MLC165 SERIES 2 (156,750 lb. CTWT)	188,188	137.1	22.2
LOWERWORKS WEIGHT AND CENTER OF GRAVITY (WL)			
EQUIPPED AS	WEIGHT (lbs)	DIM "C" (in.)	DIM "D" (in.)
MLC165 SERIES 2	124,138	0	-53.5
MLC165 SERIES 2 - WITH OPTIONAL CARBODY JACKS	127,677	0	-53.4

BOOM WEIGHTS		
BOOM LENGTH (ft.)	#74	
	WBB (lbs)	WBT (lbs)
49.2	6,496	9,088
59.1	7,353	9,625
68.9	8,320	10,509
78.7	9,131	11,093
88.6	9,694	11,413
98.4	10,478	12,025
108.3	10,805	12,201
118.1	11,594	12,809
128.0	12,059	13,230
137.8	12,841	13,845
147.6	12,988	13,491
157.5	13,785	14,918
167.3	14,216	14,549
177.2	15,009	15,153
187.0	15,091	15,469
196.8	15,897	16,059
206.7	16,311	16,535
216.5	17,113	17,130
226.4	17,156	17,487
236.2	18,220	18,380
246.1	18,613	18,878
255.9	19,413	19,474
265.7	19,879	19,898
245.6	20,675	20,495

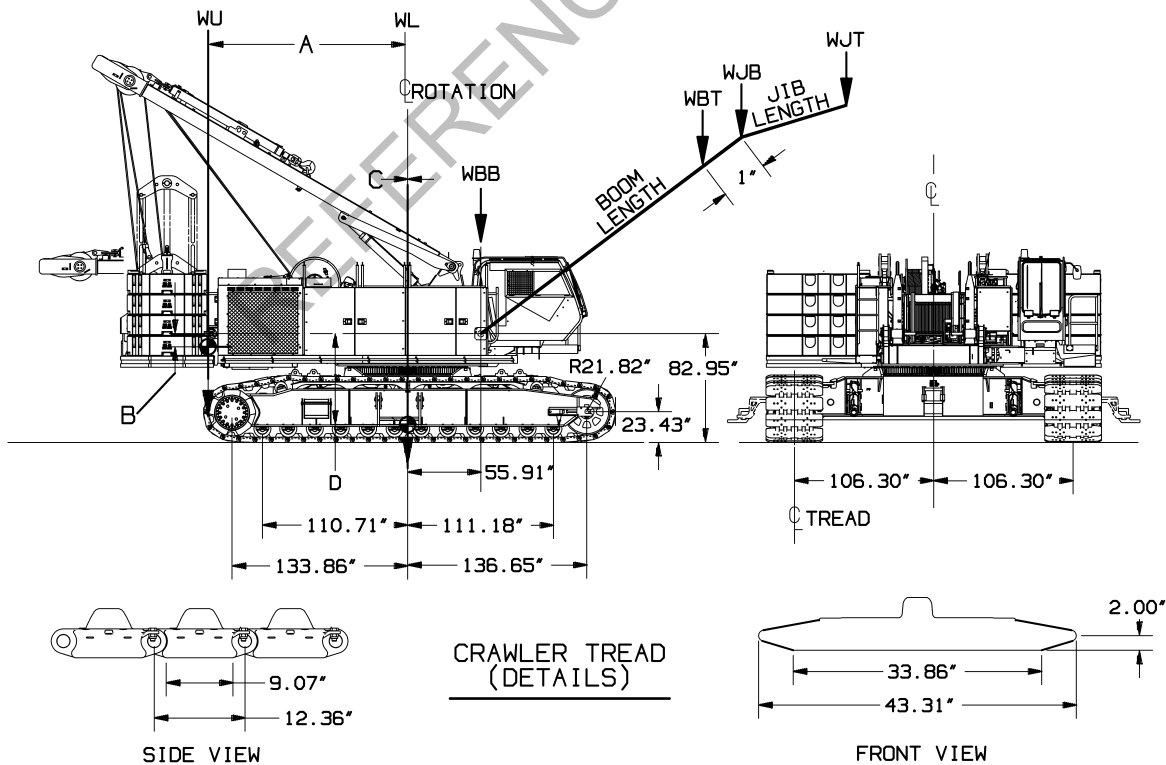
#134 JIB WEIGHTS		
LENGTH (ft.)	WJB (lbs)	WJT (lbs)
30	2,302	1,158
40	2,591	1,401
50	2,873	1,652
60	3,152	1,907
70	3,329	2,049
80	3,615	2,296

NOTE 1: BOOM AND JIB WEIGHTS INCLUDE WEIGHT OF BOOM, JIB, PENDANTS ETC.; BUT DO NOT INCLUDE WEIGHT OF LOAD, LOAD BLOCK, WEIGHT BALL, SLINGS, ETC. ALL ITEMS SUSPENDED FROM BOOM OR JIB MUST BE CONSIDERED PART OF THE LOAD.

NOTE 2: FOR #74 BOOM ONLY, WEIGHTS FOR 49.2 THRU 137.8 FT. BOOMS INCLUDE A 6 SHEAVE BOOM POINT, 147.6 FT THRU 275.6 FT BOOM INCLUDES A 3 SHEAVE BOOM POINT.

NOTE 3: CONSULT PROPER CRANE CAPACITY CHART FOR LIFTING CAPACITIES AND ALLOWABLE BOOM AND JIB COMBINATIONS.

CAUTION: NOT TO BE USED FOR CRANE RATING PURPOSES.



DATE 5-19-14	SCALE NONE DR. DJS	MANITOWOC CRANES, INC. MANITOWOC, WISCONSIN	C G CHART
DWG. NO. T.S. 356	CK. APP.	MODEL MLC165	43" TREADS
			BOOM NO. 74