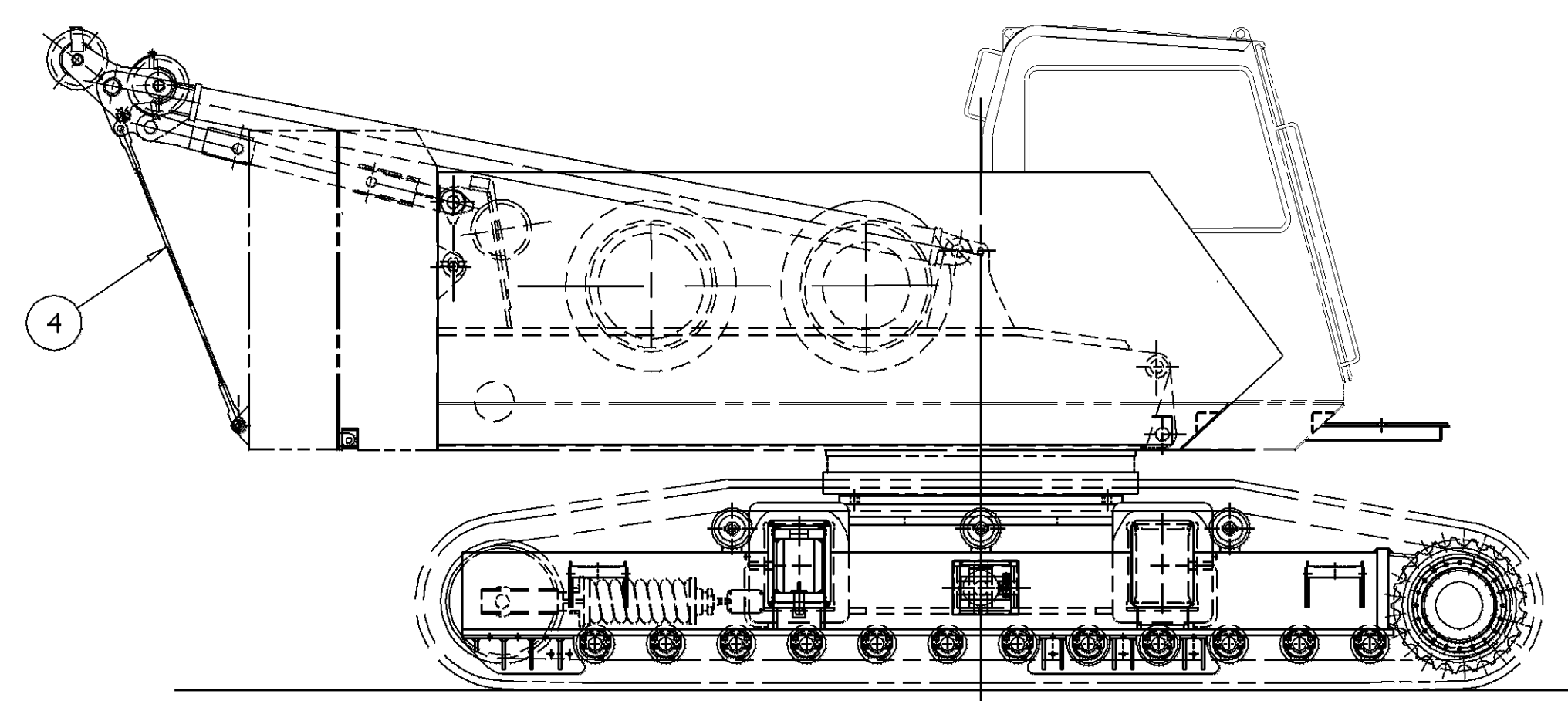
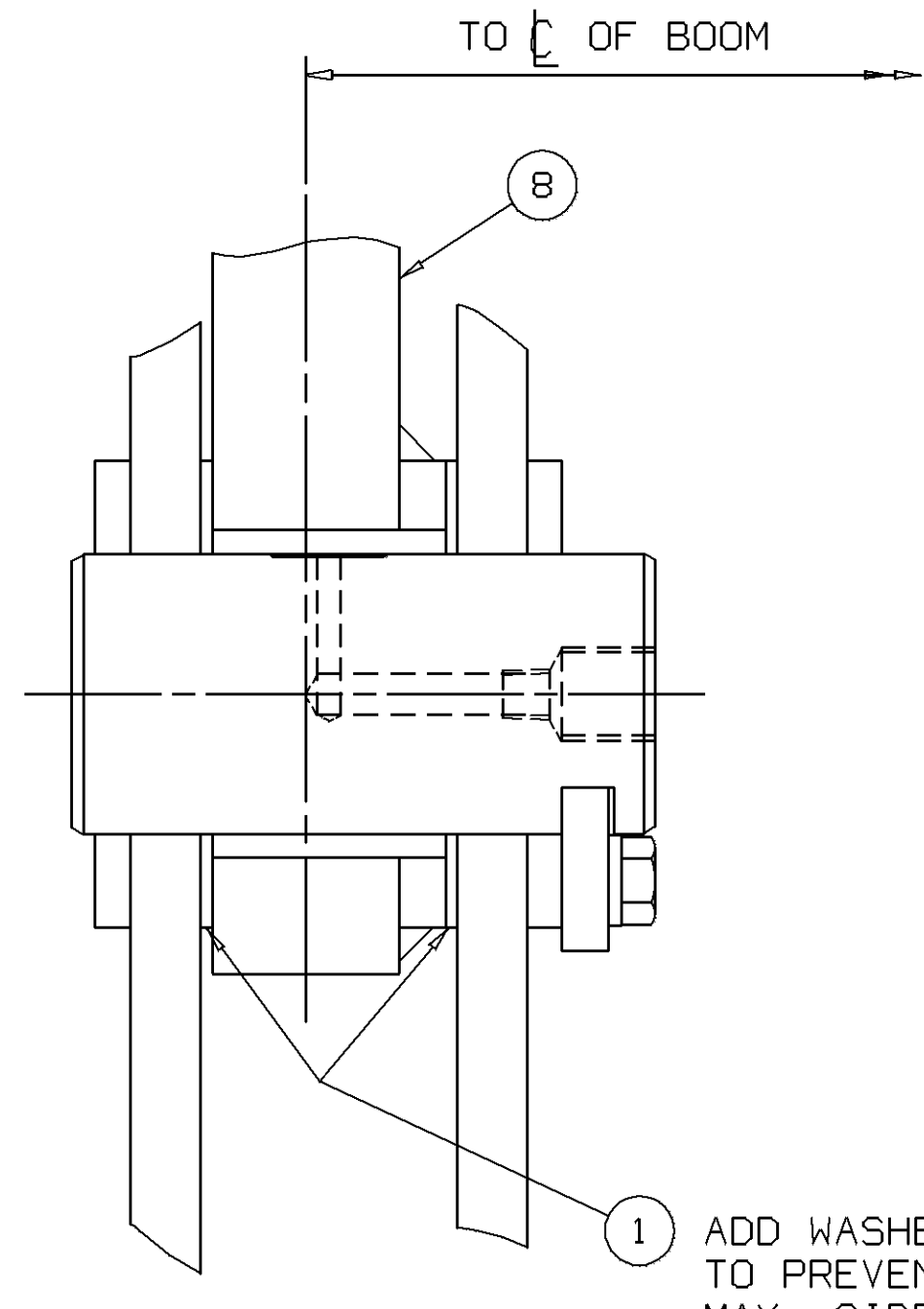
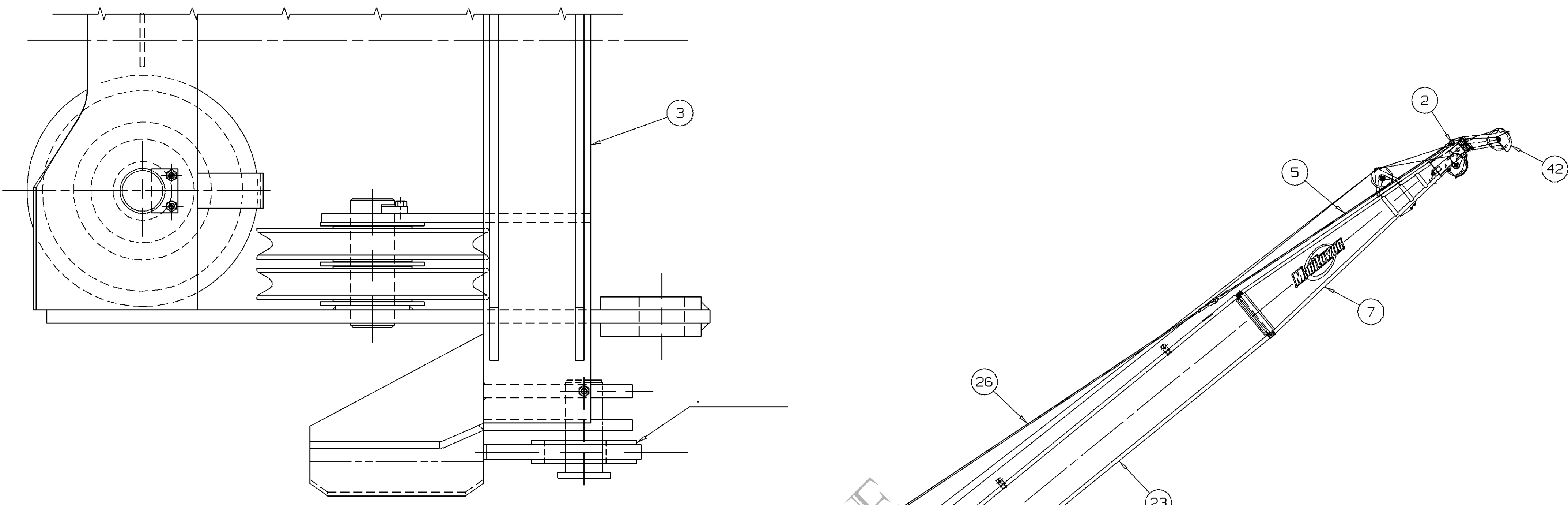
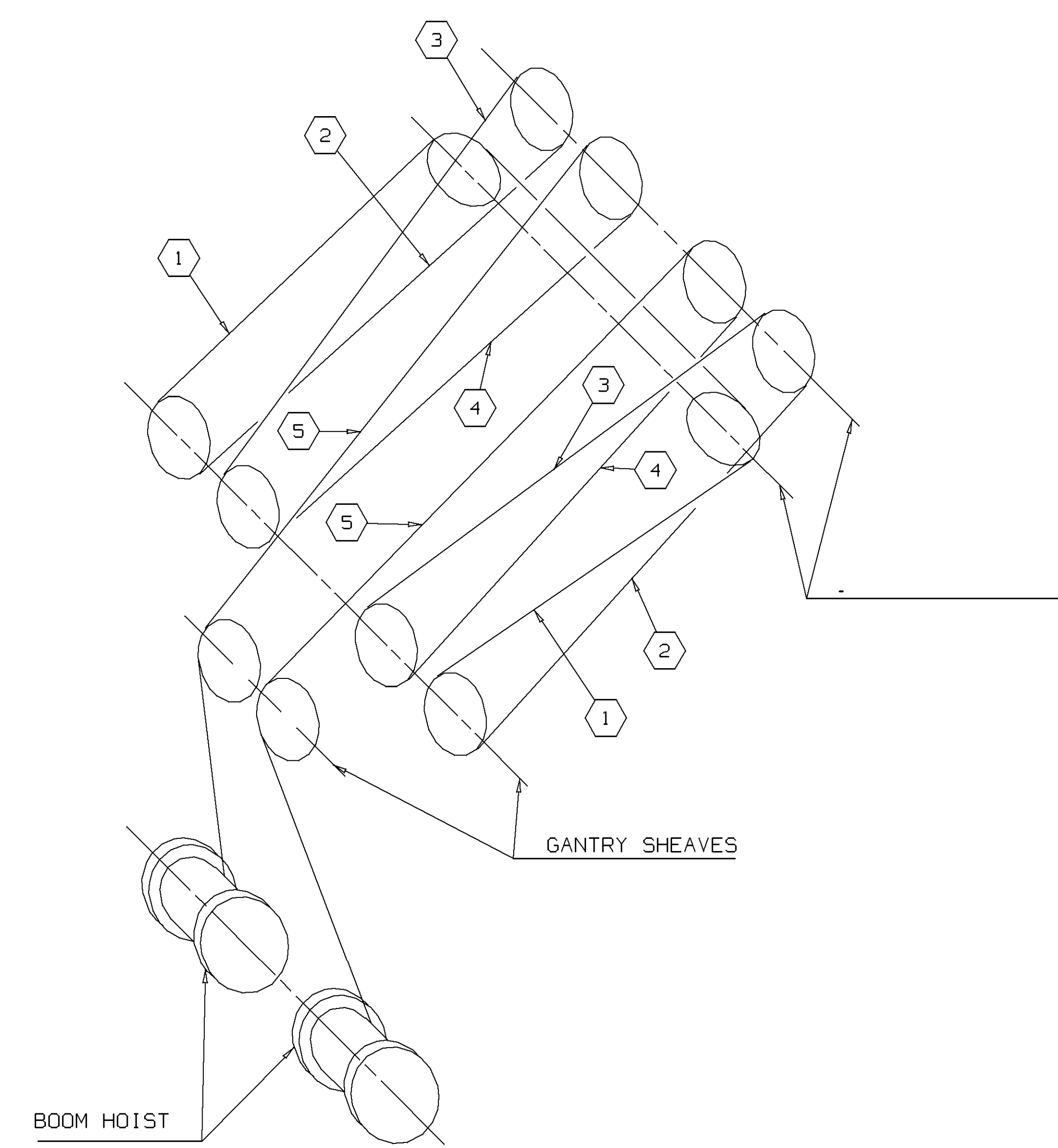


DWG. NO.	(21)	(22)	(23)	(24)	(25)	(26)	(27)
168735	168736	168737	276737 DWG. #75002	276738 DWG. #75002	276736 DWG. #75002	168017	
BOOM LENGTH	10 FT. INSERT	20 FT. INSERT	30 FT. INSERT	PENDANT 10 FT.	PENDANT 20 FT.	PENDANT 30 FT.	WIRE ROPE TIMBER GUARD ASSY OPTIONAL
50 FT.	10 FT. OF INSERT			10 FT. OF PENDANT SETS			1
60 FT.	20 FT. OF INSERT			20 FT. OF PENDANT SETS			1 OR 2
70 FT.	30 FT. OF INSERT			30 FT. OF PENDANT SETS			2
80 FT.	40 FT. OF INSERT			40 FT. OF PENDANT SETS			3
90 FT.	50 FT. OF INSERT			50 FT. OF PENDANT SETS			3 OR 4
100 FT.	60 FT. OF INSERT			60 FT. OF PENDANT SETS			4
110 FT.	70 FT. OF INSERT			70 FT. OF PENDANT SETS			5
120 FT.	80 FT. OF INSERT			80 FT. OF PENDANT SETS			5 OR 6
130 FT.	90 FT. OF INSERT			90 FT. OF PENDANT SETS			6
140 FT.	100 FT. OF INSERT			100 FT. OF PENDANT SETS			7
150 FT.	110 FT. OF INSERT			110 FT. OF PENDANT SETS			7 OR 8
160 FT.	120 FT. OF INSERT			120 FT. OF PENDANT SETS			8
170 FT.	130 FT. OF INSERT			130 FT. OF PENDANT SETS			9
180 FT.	140 FT. OF INSERT			140 FT. OF PENDANT SETS			9 OR 10
190 FT.	150 FT. OF INSERT			150 FT. OF PENDANT SETS			10

BOOM HANDLING INSTRUCTIONS					SWING ALLOWED	
TRAVEL SPEED NOT TO EXCEED 1/2 MPH WITH BOOM ANGLE AT 10° OR LESS					CRAWLERS RETRACTED CTWTS INSTALLED	CRAWLERS EXTENDED CTWTS INSTALLED
ATTACHMENT ARRANGEMENT	GANTRY POSITION	MAX. LENGTH OF BOOM HANDLED	BOOM MAKE UP	BOOM CONDITIONS OR LIMITATIONS		
EQUALIZER PINNED TO LUGS ON BOOM BUTT	UP	61 FT.	BUTT & INSERTS ONLY	CAN CANTILEVER 40 FT. OF INSERTS.	NO*	YES
	DOWN	61 FT.	BUTT & INSERTS ONLY	CAN CANTILEVER 40 FT. OF INSERTS.	NO*	YES
PENDANTS ATTACHED TO BOOM TOP	DOWN	60 FT WITHOUT JIB	BUTT, INSERTS & TOP	LOAD BLOCK, HOOK AND WEIGHT BALL MAY BE SUSPENDED BELOW BOOM POINTS	NO*	YES

\* MACHINE MUST BE FACING FRONT OR REAR (SWING NOT ALLOWED)

BILL OF MATERIAL										ASSEMBLIES USED IN	
ITEM	QTY.	SECT.	DESCRIPTION	LENGTH (IN)	MATL.	QTY. IN KIT	QTY. IN KIT	QTY. IN KIT	QTY. IN KIT	QTY. IN KIT	
BILL OF MATERIAL - 40 FT. BASIC BOOM											
1	4		WASHER		12553						
2	1		EQUALIZER ASSEMBLY		74079						
3	1		PENDANT (DWG. 73025)		912004						
4	2		BASIC PENDANT (21 FT. B' DWG. 75002)		276938						
5	2		SNAP PIN		277314						
6	1		BOOM TOP ASSY		563823						
7	1		BOOM BUTT ASSY		912878						
8	1		BOOM STOP ASSY		911932						
9	1		GANTRY ASSEMBLY		912007						
10	1				195165						
TOTAL WT. OF THIS B/M										8032.9	
BILL OF MATERIAL - ADDITIONS FOR LONGER BOOM LENGTHS											
21	AR		10 FT. INSERT		912007						
22	AR		20 FT. INSERT		912008						
23	AR		30 FT. INSERT		912009						
24	AR		10 FT. PENDANT		276938						
25	AR		20 FT. PENDANT		276938						
26	AR		30 FT. PENDANT		276938						
WT'S ARE FOR QTY. OF 1											
BILL OF MATERIAL - OPTIONAL PARTS											
40	AR		WIRE ROPE ROLLER GUIDE ASSY		184768						
41											
42	1		UPPER BOOM POINT ASSEMBLY		912881						
43	1		SHAFT		194259						
44	2		END PLATE		19535						
45	2		SPACER		194267						



BOOM HOIST REEVING DIAGRAM FOR 10 PART LINE.  
 430 FEET OF .625 - 6 X 26 WARRINGTON SEALE, EXTRA IMPROVED  
 PLOW STEEL, ALTERNATE LAY, I.W.R.C. (719343) - B.S. 41,200 LBS.  
 OR  
 ALTERNATE WIRE ROPE  
 430 FEET OF .625 - 6 X 26 WARRINGTON SEALE, EXTRA IMPROVED  
 PLOW STEEL, REGULAR LAY, I.W.R.C. (719344) - B.S. 41,200 LBS.  
 OR  
 430 FEET OF .625 - DYFORM-6, (719345) - B.S. 45,400 LBS.  
 OR  
 430 FEET OF .625 CONSTRUCTEX (A00121) - B.S. 51,000 LBS.  
 RIGHT HAND REGULAR LAY

- ① ON DWG. 75002
- ② .875 WIRE ROPE.
- ③ REQ'D FOR BOOM HANDLING. (SEE VIEW "A") THIS PENDANT IS ALSO USED FOR CTWT. HANDLING & RAISING THE GANTRY WITH 40 & 50 FT. BASIC BOOM. (SEE VIEW "C")
- ④ USED TO REPLACE PENDANT PIN COTTER PIN FOR PENDANT 276938.
- ⑤ QUANTITY AS REQUIRED.
- ⑥ WEIGHT FOR 2 SHV WIRE ROPE GUIDE ASSY.
- ⑧ INSERT NOTES:
  - 1- MAXIMUM NUMBER OF 10 FT. INSERTS = 2.
  - 2- MAXIMUM NUMBER OF 20 FT. INSERTS = 1.
  - 3- COMBINATION OF 10 FT. AND 20 FT. INSERTS CANNOT EXCEED 2-10 FT. + 1-20 FT.
  - 4- THE SHORTER INSERTS MUST BE CLOSEST TO THE BUTT. (10 FT. INSERTS FIRST, THEN THE 20 FT. INSERTS)
  - 5- 70 FT. BOOM REQUIRES A 10 FT. & 20 FT. INSERT FOR DUTY CYCLE OPERATION.
- PENDANT NOTES:
  - 1- PENDANT SETS DO NOT INCLUDE BASIC PENDANTS 277314.
  - 2- PENDANTS FURNISHED IN SETS OF TWO.
  - 3- MATCH LENGTHS OF PENDANT SETS TO LENGTHS OF INSERTS FURNISHED.
- GENERAL NOTES:
  - 1- MINIMUM BOOM LENGTH REQUIRED FOR JIB = 70 FT.
  - 2- WHEN AUX. DRUM 911206 OR 911175 IS USED, REFER TO RIGGING ASSY 911172 FOR ADDITIONAL PARTS.
  - 3- MAXIMUM NUMBER OF SUPPORT ASSEMBLIES 168643 = 12
- ⑨ REQ'D FOR PILE DRIVING.
- ⑩ REQ'D WHEN PILE DRIVER LEADS NOT ATTACHED.
- ⑪ PILE DRIVER CAPACITY - 20,000# EA. END OF SHAFT.
- ⑫ LOWER BOOM POINT LOAD SENSOR SHEAVE SUB-ASSEMBLY(S) CAN NOT BE USED WHEN MACHINE IS EQUIPPED AND REEVED WITH AN AUX. WINCH. PENDANT PINS (2) 74079 REPLACE PIN (195109 REF.) FOR THIS CONFIGURATION.
- ⑬ 430 FT. IS AN ACCEPTABLE SUBSTITUTE WHEN LUFFING JIB IS NOT BEING USED

**RIGGING AND HANDLING NOTE**  
 WITH THE GANTRY DOWN AND THE BOOM BUTT ONLY ATTACHED TO THE MACHINE, THE BRAKE GUARD(S) WILL BE DAMAGED IF THE BUTT SECTION CENTER LINE IS NOT HORIZONTAL OR ABOVE.

THIS PRINT REMAINS THE PROPERTY OF MANITOWOC CRANES, INC. IF IT IS LOST, SUBJECT TO RETURN UPON DEMAND. AND ON EXPRESS CONDITION THAT IT IS NOT TO BE COPIED OR USED DIRECTLY OR INDIRECTLY IN ANY WAY WHATSOEVER DETRIMENTAL TO OUR INTERESTS.		TOLERANCE UNLESS OTHERWISE SPECIFIED		SCALE 3/16"=1'		Manitowoc Cranes, Inc.		DATE 2-11-97	
DECIMAL PLACES	FABRICATION	MACHINING	DR. BOB	Manitowoc, Wisconsin	BOOM RIGGING ASSEMBLY	DWG. NO. 912877			
(1) PLACE 0.0	±.12	±.18	±.03	DR. BOB	MODEL 111	BOOM # 111			
(2) PLACE 0.00	±.06	±.12	±.015	APP. SLD		1.25 SWAGED PENDENTS			
(3) PLACE 0.000	±.005	±.005	±.000						
ANGLES	±1.5°								