

| DWG. NO. | (21) | (22) | (23) | (24) | (25) | (26) | (27) | (28) | (29) | |
|-------------|------------------------|---------------------------------|---------------|---------------------------------|---------------|---------------------------------|-------------------------|-----------------------|-----------------------|--|
| | WM10840 | WM10841 | WM10838 | WM10839 | WM10836 | WM10837 | 278737 DWG. #75002 | 278738 DWG. #75002 | 278810 DWG. #75002 | |
| BOOM LENGTH | 10 FT. INSERT | 10 FT. INSERT WITH JIB BACKSTAY | 20 FT. INSERT | 20 FT. INSERT WITH JIB BACKSTAY | 40 FT. INSERT | 40 FT. INSERT WITH JIB BACKSTAY | PENDANT 10 FT. | PENDANT 20 FT. | PENDANT 40 FT. | |
| | (SEE INSERT NOTES) (A) | | | | | | | | | |
| 50 FT. | 10 FT. OF INSERT | | | | | | 10 FT. OF PENDANT SETS | | | |
| 60 FT. | 20 FT. OF INSERT | | | | | | 20 FT. OF PENDANT SETS | | | |
| 70 FT. | 30 FT. OF INSERT | | | | | | 30 FT. OF PENDANT SETS | | | |
| 80 FT. | 40 FT. OF INSERT | | | | | | 40 FT. OF PENDANT SETS | | | |
| 90 FT. | 50 FT. OF INSERT | | | | | | 50 FT. OF PENDANT SETS | | | |
| 100 FT. | 60 FT. OF INSERT | | | | | | 60 FT. OF PENDANT SETS | | | |
| 110 FT. | 70 FT. OF INSERT | | | | | | 70 FT. OF PENDANT SETS | | | |
| 120 FT. | 80 FT. OF INSERT | | | | | | 80 FT. OF PENDANT SETS | | | |
| 130 FT. | 90 FT. OF INSERT | | | | | | 90 FT. OF PENDANT SETS | | | |
| 140 FT. | 100 FT. OF INSERT | | | | | | 100 FT. OF PENDANT SETS | | | |
| 150 FT. | 110 FT. OF INSERT | | | | | | 110 FT. OF PENDANT SETS | | | |
| 160 FT. | 120 FT. OF INSERT | | | | | | 120 FT. OF PENDANT SETS | | | |
| 170 FT. | 130 FT. OF INSERT | | | | | | 130 FT. OF PENDANT SETS | | | |
| 180 FT. | 140 FT. OF INSERT | | | | | | 140 FT. OF PENDANT SETS | | | |
| 190 FT. | 150 FT. OF INSERT | | | | | | 150 FT. OF PENDANT SETS | | | |
| 200 FT. | 160 FT. OF INSERT | | | | | | 160 FT. OF PENDANT SETS | | | |

BOOM HANDLING INSTRUCTIONS

TRAVEL SPEED NOT TO EXCEED 1/2 MPH WITH BOOM ANGLE AT 10° OR LESS

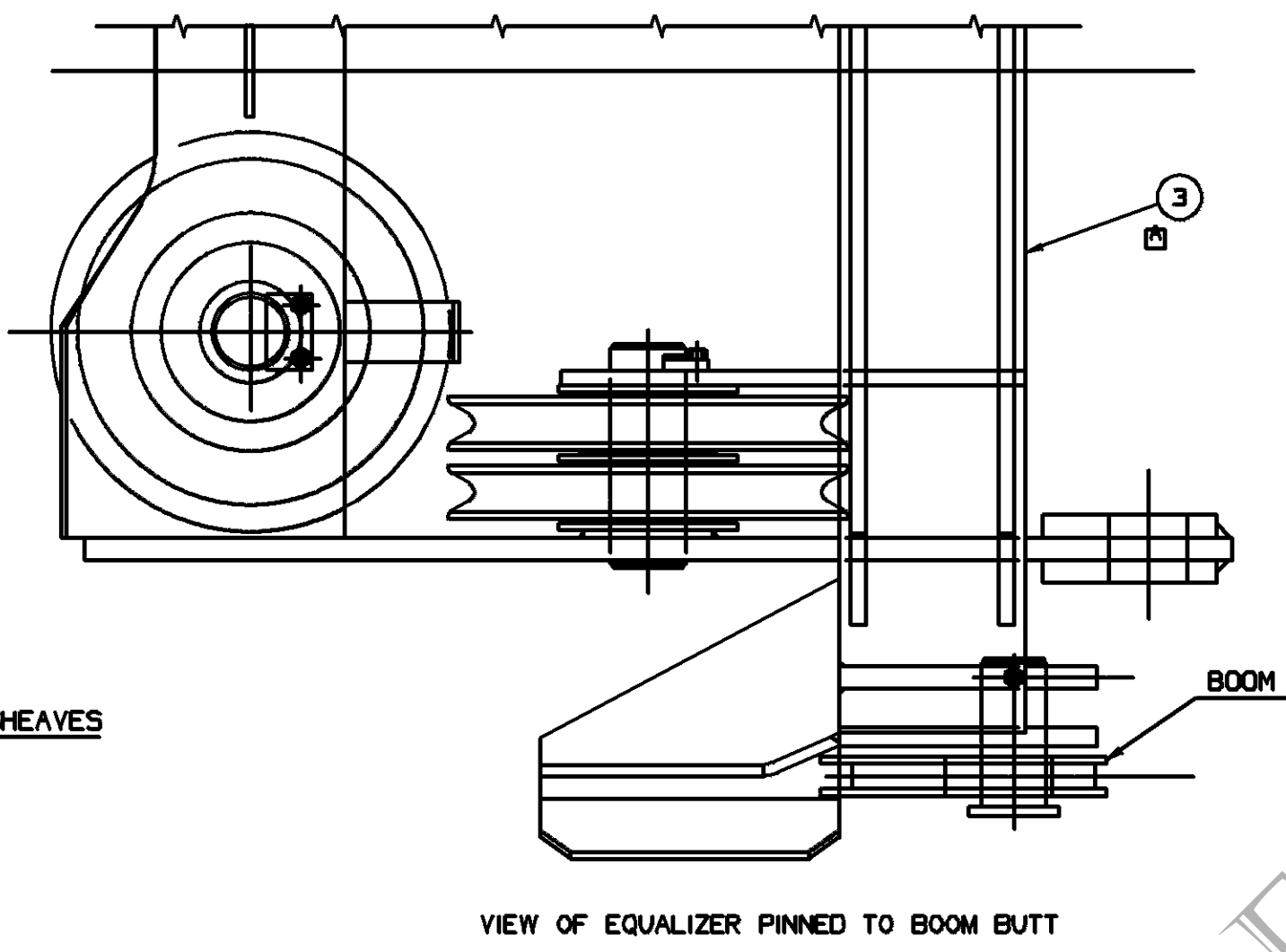
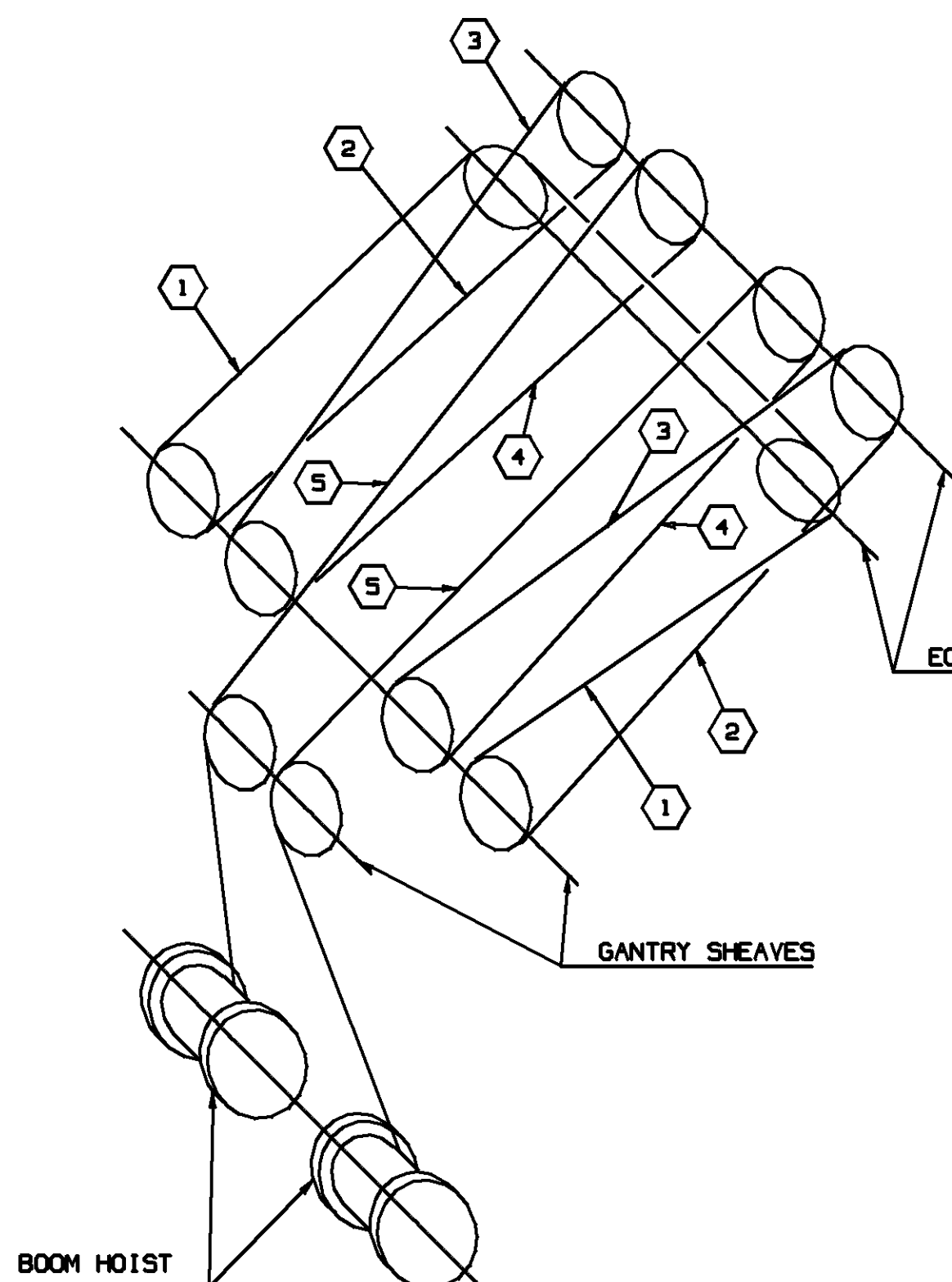
| ATTACHMENT ARRANGEMENT | GANTRY POSITION | MAX. LENGTH OF BOOM HANDLED | BOOM MAKE UP | BOOM CONDITIONS OR LIMITATIONS | SWING ALLOWED | |
|---------------------------------------|-----------------|--|---------------------|---|------------------------------------|-----------------------------------|
| | | | | | CRAWLERS RETRACTED CTWTS INSTALLED | CRAWLERS EXTENDED CTWTS INSTALLED |
| EQUALIZER PINNED TO LUGS ON BOOM BUTT | UP | 59 FT. | BUTT & INSERTS ONLY | CAN CANTILEVER 40 FT. OF INSERTS. | NO* | YES |
| | DOWN | 59 FT. | BUTT & INSERTS ONLY | CAN CANTILEVER 40 FT. OF INSERTS. | NO* | YES |
| PENDANTS ATTACHED TO BOOM TOP | DOWN | 80 FT WITHOUT JIB 70 FT WITHOUT JIB | BUTT, INSERTS & TOP | LOAD BLOCK, HOOK AND WEIGHT BALL MAY BE SUSPENDED BELOW BOOM POINTS | NO* | YES |

* MACHINE MUST BE FACING FRONT OR REAR (SWING NOT ALLOWED)

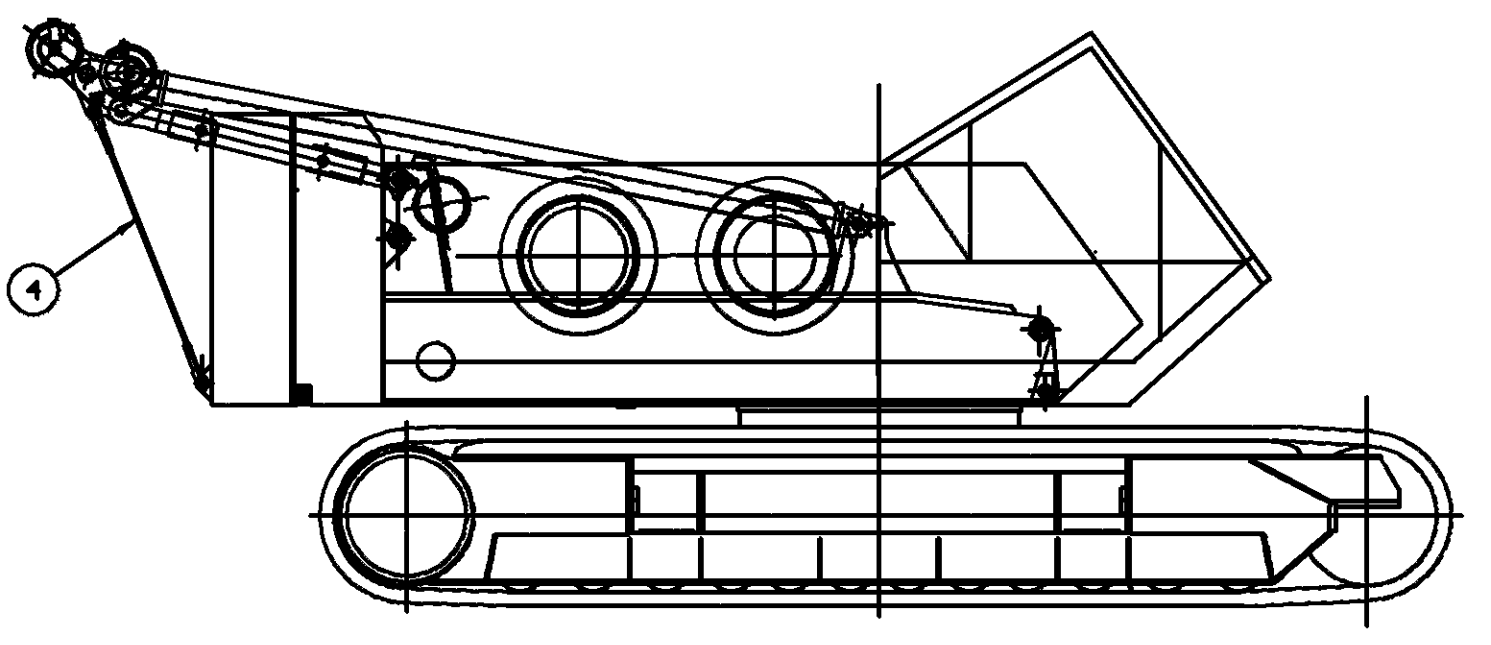
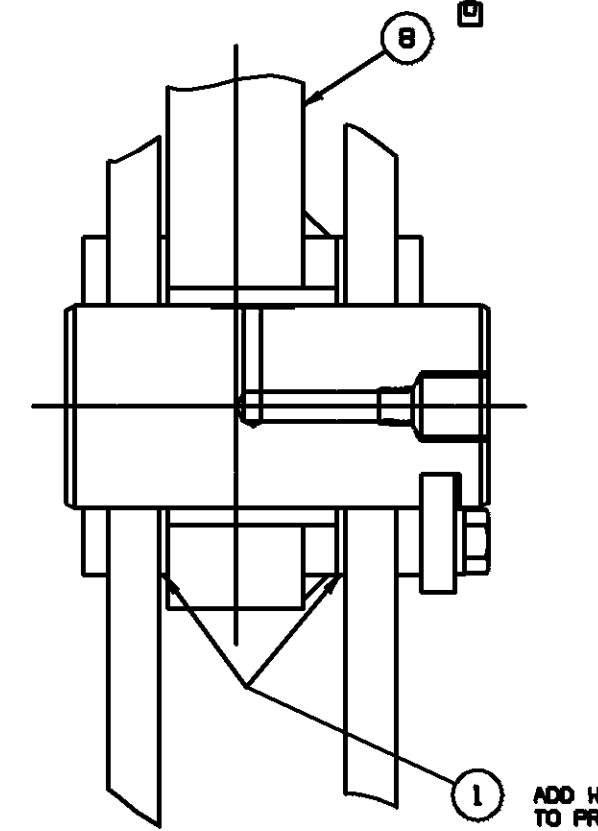
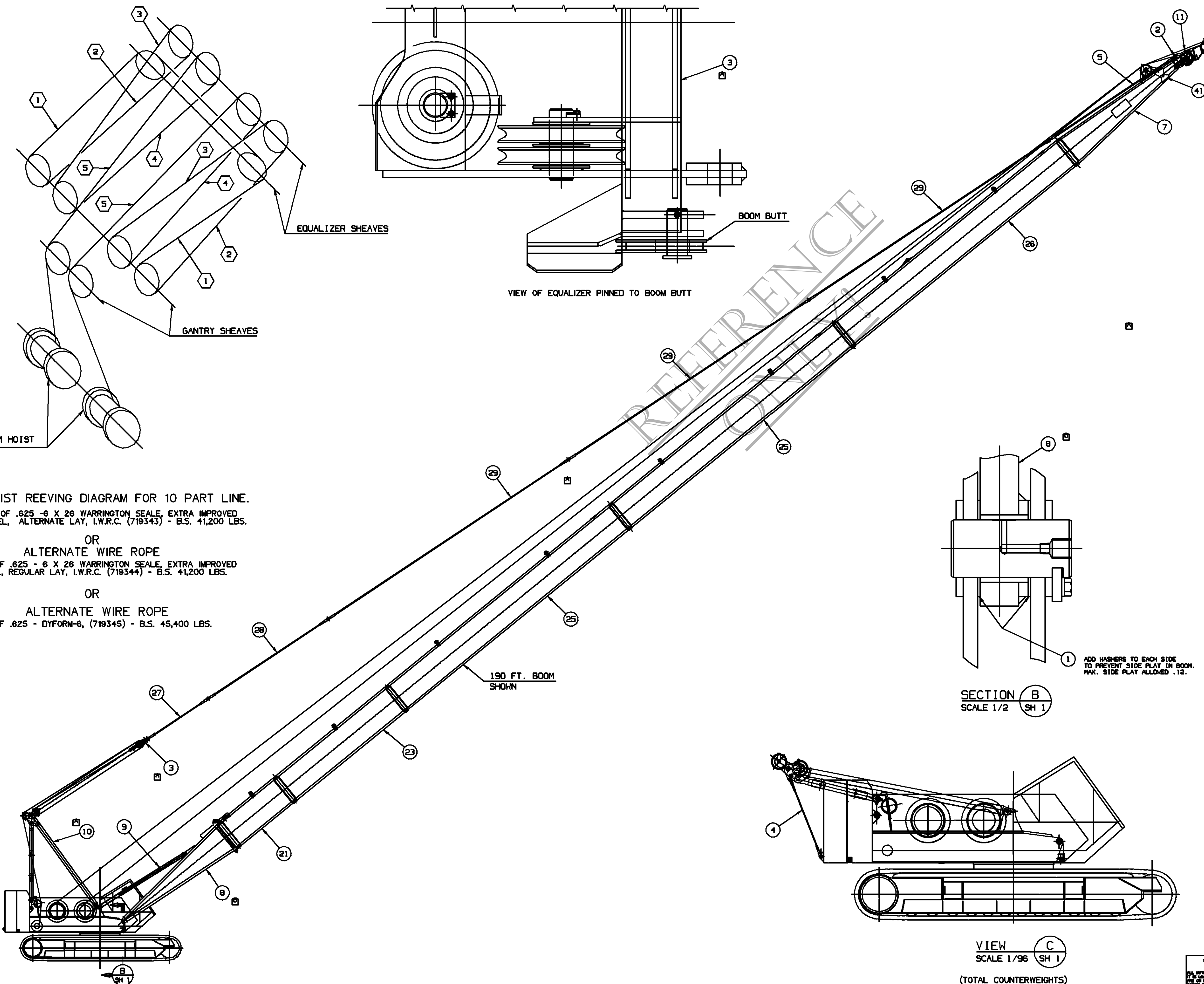
| BILL OF MATERIAL - 40 FT. BASIC BOOM | | | | | | | | | | |
|--------------------------------------|------|-------|--------------------------------------|-------|---------|-----------------------|-------|-------------|-------|------|
| ITEM | QTY. | SECT. | DESCRIPTION | UNITS | MATL. | QTY. | SECT. | DESCRIPTION | UNITS | |
| 1 | 4 | | WASHER | | 12535 | 4 | | | | |
| 2 | 1 | | EQUALIZER ASSEMBLY | | 74079 | 1 | | | | |
| 3 | 1 | | PENDANT (Dwg. 75002) | | WM12004 | 1 | | | | |
| 4 | 2 | | BASIC PENDANT (21 FT. O' DIA. 75002) | | 277214 | 2 | | | | |
| 5 | 2 | | SNAP PIN | | 263823 | 2 | | | | |
| 6 | 1 | | BOOM TOP ASSY | | WM11207 | 1 | | | | |
| 7 | 1 | | BOOM BUTT ASSY | | WM11278 | 1 | | | | |
| 8 | 1 | | BOOM STOP ASSY | | WM12307 | 1 | | | | |
| 9 | 1 | | GANTRY ASSEMBLY | | WM11544 | 1 | | | | |
| 10 | 1 | | WIRE ROPE TIMBER GUARD ASSY | | 189484 | 1 | | | | |
| 11 | 1 | | | | | | | | | |
| | | | | | | TOTAL WT. OF THIS B/W | | | | 8044 |

| BILL OF MATERIAL - ADDITIONS FOR LONGER BOOM LENGTHS | | | | | | | | | |
|--|------|-------|--------------------------------|-------|---------|--------|-------|-------------|-------|
| ITEM | QTY. | SECT. | DESCRIPTION | UNITS | MATL. | QTY. | SECT. | DESCRIPTION | UNITS |
| 21 | AR | | 10 FT INSERT | | WM10840 | 633.3 | | | |
| 22 | AR | | 20 FT INSERT WITH JIB BACKSTAY | | WM10841 | 653.3 | | | |
| 23 | AR | | 30 FT INSERT WITH JIB BACKSTAY | | WM10838 | 1082.3 | | | |
| 24 | AR | | 40 FT INSERT WITH JIB BACKSTAY | | WM10839 | 1102.3 | | | |
| 25 | AR | | 40 FT INSERT | | WM10836 | 2031.7 | | | |
| 26 | AR | | 40 FT INSERT WITH JIB BACKSTAY | | WM10837 | 2050.7 | | | |
| 27 | AR | | 10 FT PENDANT | | 278737 | 86.0 | | | |
| 28 | AR | | 20 FT PENDANT | | 278738 | 159.0 | | | |
| 29 | AR | | 40 FT PENDANT | | 278810 | 173.0 | | | |

| BILL OF MATERIAL - OPTIONAL PARTS | | | | | | | | | |
|-----------------------------------|------|-------|---|-------|---------|-------|-------|-------------|-------|
| ITEM | QTY. | SECT. | DESCRIPTION | UNITS | MATL. | QTY. | SECT. | DESCRIPTION | UNITS |
| 40 | AR | | WIRE ROPE ROLLER GUIDE ASSY | | 184788 | 31.8 | | | |
| 41 | 1 | | WIRE ROPE ANCHOR JOINT ASSY. | | 188836 | 59.6 | | | |
| 42 | 1 | | WIRE ROPE ANCHOR JOINT ASSY. | | WM11103 | 254.0 | | | |
| 43 | 1 | | WIRE ROPE ANCHOR JOINT ASSY. (PILE DRIVG) | | WM11108 | 632.7 | | | |



BOOM HOIST REEVING DIAGRAM FOR 10 PART LINE.
 430 FEET OF .625 - 8 X 26 WARRINGTON SEALE, EXTRA IMPROVED PLOW STEEL, ALTERNATE LAY, I.W.R.C. (719343) - B.S. 41,200 LBS.
 OR
 ALTERNATE WIRE ROPE
 430 FEET OF .625 - 6 X 26 WARRINGTON SEALE, EXTRA IMPROVED PLOW STEEL, REGULAR LAY, I.W.R.C. (719344) - B.S. 41,200 LBS.
 OR
 ALTERNATE WIRE ROPE
 430 FEET OF .625 - DYFORM-6, (719345) - B.S. 45,400 LBS.



- (1) ON DWG. 75002
- (2) .875 WIRE ROPE.
- (3) REQ'D FOR BOOM HANDLING. SEE VIEW "A" & "C". THIS PENDANT IS ALSO USED FOR CTWT. HANDLING & RAISING THE GANTRY WITH 40 FT. BASIC BOOM.
- (4) THE WIRE ROPE ANCHOR JOINT ASSY. MUST BE REMOVED WHEN USING MULTIPLE PARTS OF LINE.
- (5) USED TO REPLACE PENDANT PIN COTTER PIN FOR PENDANT 276938.
- (6) QUANTITY AS REQUIRED.
- (7) WEIGHT FOR 2 SHV WIRE ROPE GUIDE ASSY.

- (A) INSERT NOTES:**
- 1- MAXIMUM NUMBER OF 10 FT. INSERTS = 2.
 - 2- MAXIMUM NUMBER OF 20 FT. INSERTS = 2.
 - 3- COMBINATION OF 10 FT. AND 20 FT. INSERTS CANNOT EXCEED 2-10 FT. + 1-20 FT. OR 1-10 FT. + 2-20 FT.
 - 4- THE SHORTER INSERTS MUST BE CLOSEST TO THE BUTT. (10 FT. INSERTS FIRST, THEN THE 20 FT. INSERTS)

- PENDANT NOTES:**
- 1- PENDANT SETS DO NOT INCLUDE BASIC PENDANTS 277214.
 - 2- PENDANTS FURNISHED IN SETS OF TWO.
 - 3- MATCH LENGTHS OF PENDANT SETS TO LENGTHS OF INSERTS FURNISHED.

- GENERAL NOTES:**
- 1- MINIMUM BOOM LENGTH REQUIRED FOR JIB = 70 FT.
 - 2- WHEN AUX. DRUM WM11206 OR WM11175 IS USED, REFER TO RIGGING ASSY. WM11172 FOR ADDITIONAL PARTS.

RIGGING AND HANDLING NOTE
 WITH THE GANTRY DOWN AND THE BOOM BUTT ONLY ATTACHED TO THE MACHINE, THE BRAKE GUARD(S) WILL BE DAMAGED IF THE BUTT SECTION CENTER LINE IS NOT HORIZONTAL OR ABOVE.