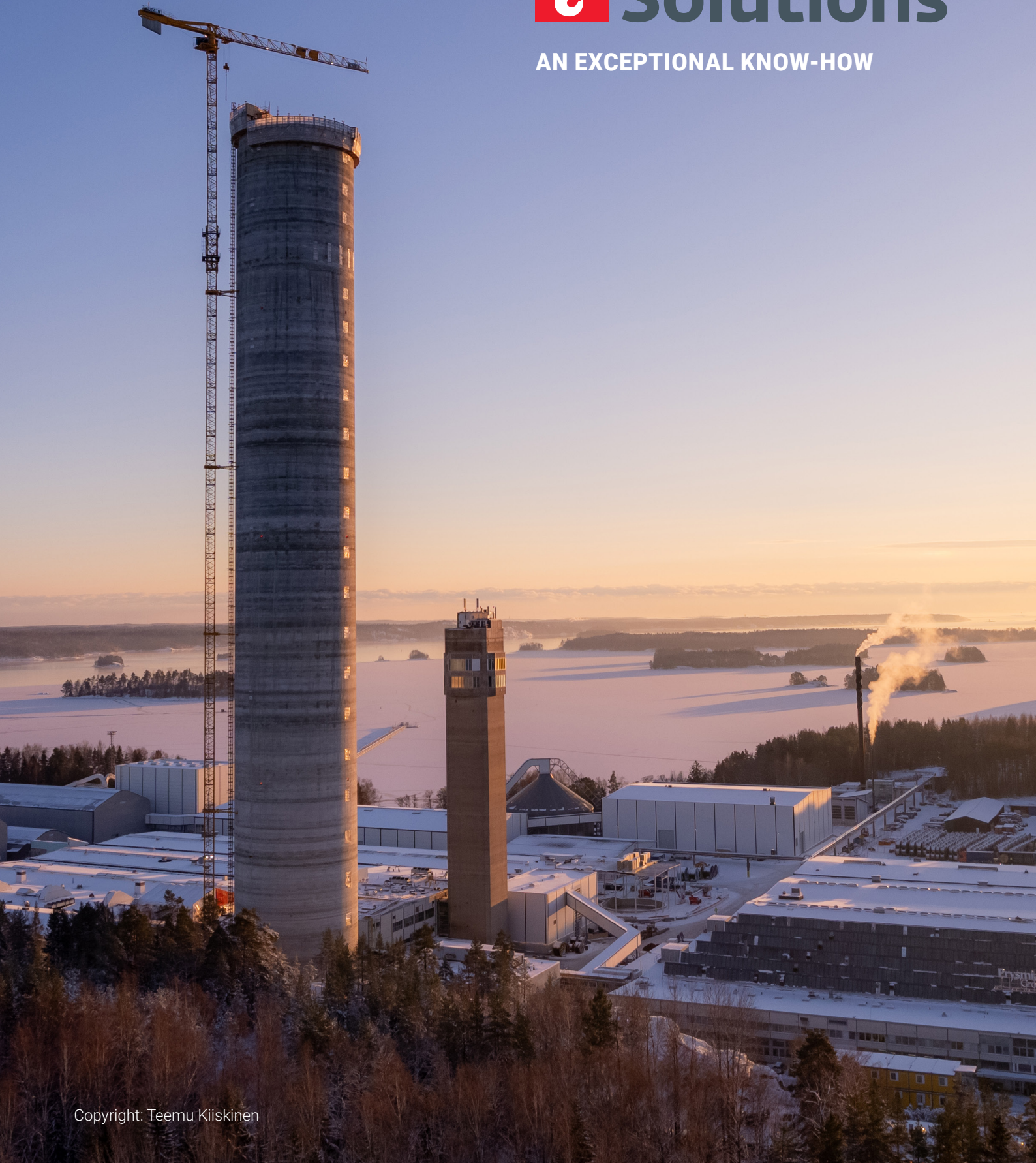


POTAIN®



AN EXCEPTIONAL KNOW-HOW



World expert of tailor-made sites, Lift Solutions team commits to be at your side.

No matter how challenging your projects are, Potain Lift Solutions has a tower crane perfectly suited to your needs.

Thanks to the assistance of our worldwide sales organization and highly qualified team, we will provide support and answer accurately to your specific requirements.

With a recognized know-how backed by years of experience, we offer you clever solutions remaining vigilant towards the safety rules.



Lift Solutions team will guide you from the beginning and through every step of your special project with:

- Detailed analysis depending on your site constraints: crane model, working height, installation on the site.
- Technical in-depth study for all special configurations: climbing in the building, anchorage, mixed masts, special wind conditions.
- Complete and permanent assistance: After-Sales Service, technical support, spare parts, technical documentation and trainings.

> Contact: serviceliftsolutions@manitowoc.com



**Potain Lift Solutions, for all your applications,
all around the world.**

- > High rise buildings and bridges
- > Traveling systems and gantries
- > Shipyards and industrial applications
- > Energy
- > Special jibs
- > Erection by helicopter
- > Crane installations
- > Calculations
- > Internal Product Customization (IPC)
- > Maxi cranes
- > Quasi-machines

And much more, «*Let's build your next crane together*».

High rise buildings and bridges

We take on challenges and supply a customized solution to reach the maximum height required thanks to different solutions:

- Classic anchorage sequences,
- Internal floor climbing systems,
- Mixed masts.

No matter the height, there is always a Potain solution.

✓ Prysman Tower, Finland - MDT 389

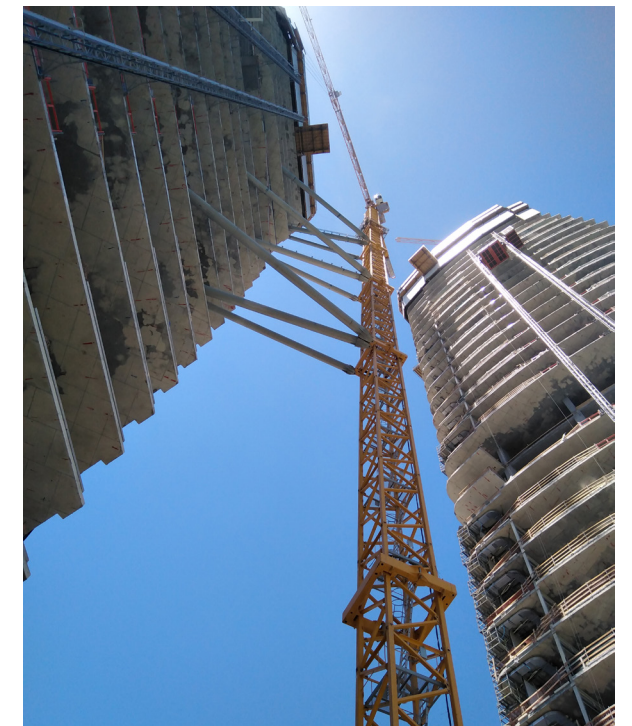
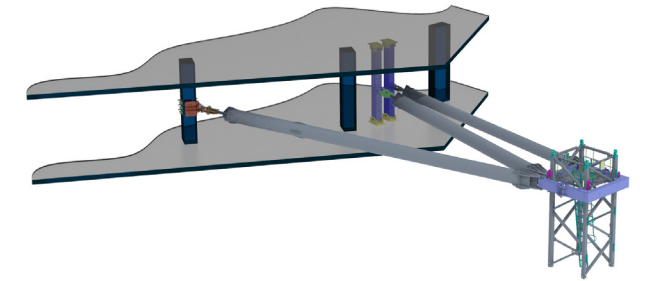


Copyright: Teemu Kiiskinen

✓ Pune-Mumbai Missing Link Project, India - MCT 385



✓ Trilogy Limassol Seafront, Cyprus - MDT 389 & MDT 269



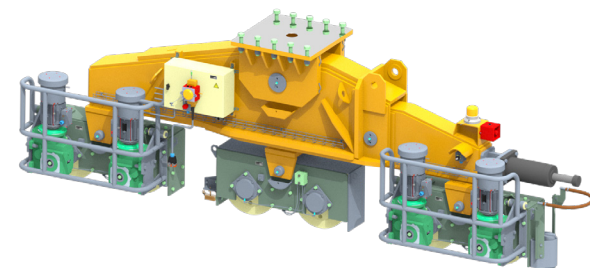
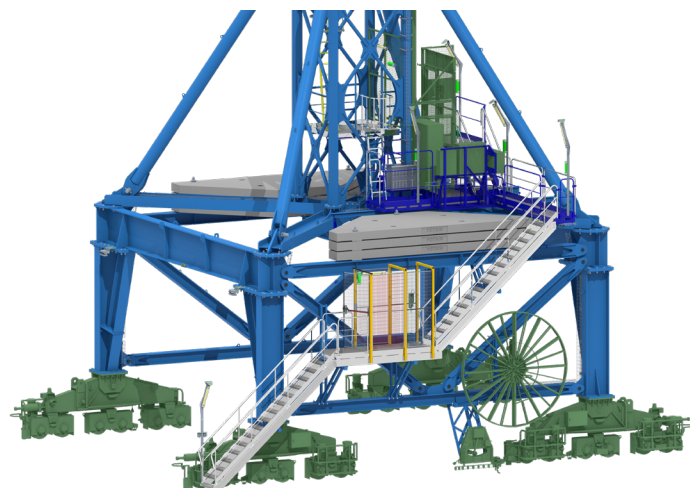
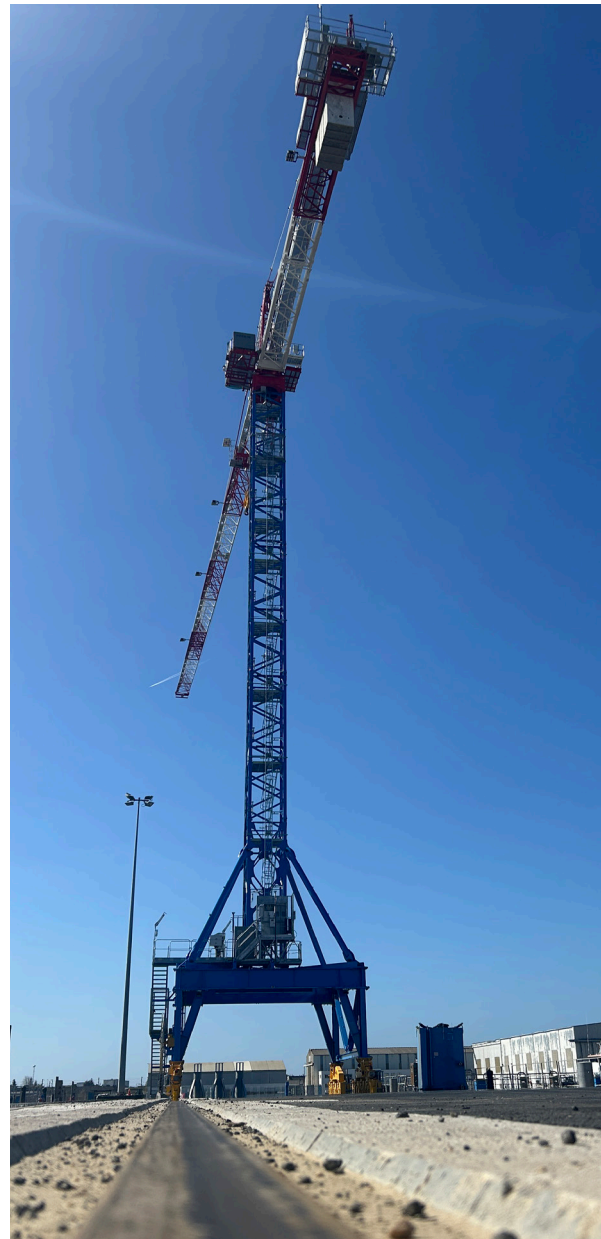


Traveling systems and gantries

We can offer customized or standard gantries to save space on the ground. These gantries can be equipped with ladders, stair cases or even personal lifts for the convenience of the operators. Additionally, we develop traveling systems in order to adjust the number of wheels and match the maximum acceptable loads on the ground.

✓ St Nazaire, France - MD 689 M25

From drawing to reality:



Shipyards and industrial applications

✓ Volvo Penta Torlanda, Sweden - MDT 489



✓ Chantier Naval de Marseille, France - MD 569



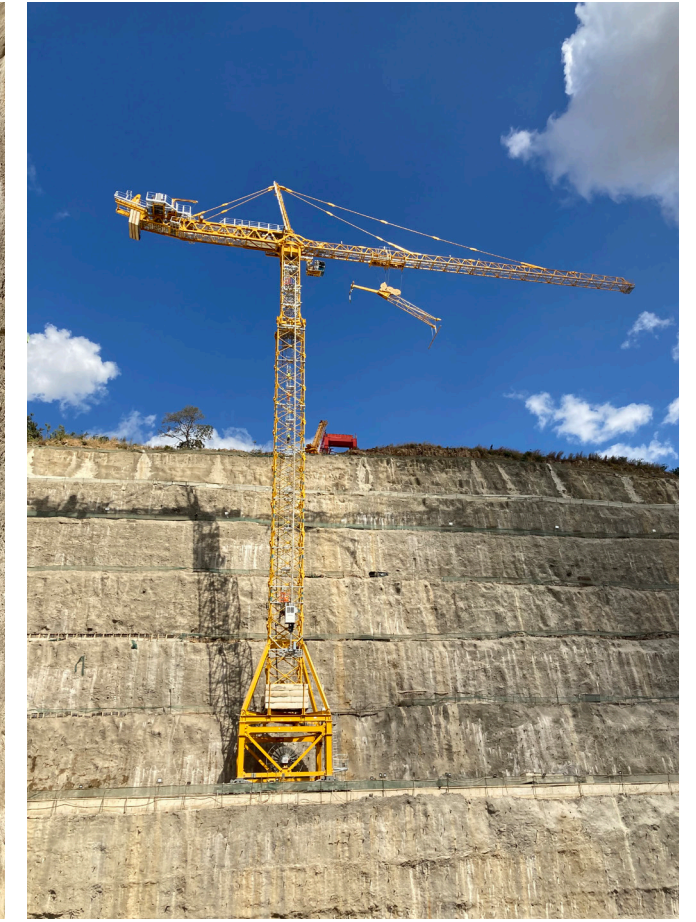
Energy

We support the most challenging and congested construction sites for energy, such as dams and power plants.

✓ ITER, France - MDT 319



✓ Julius Nyerere Dam, Tanzania - MD 1600 & MCT 565



✓ Flamanville EPR, France - MD 3200



✓ Fecamp Offshore Wind Farm, France - MR 608



Copyright: Jacques Basile



Special jibs

Lift Solutions can provide any special length for the jibs of your cranes:

- to avoid nearby buildings,
- to prevent neighboring overlaps,
- to increase maximum radius.

✓ Special short jib: 18 m for MDT 178



✓ Addition of a 2.5 meter long jib section for MDT 269



✓ Notre Dame De Paris Cathedral, France - MDT 809

The jib was shortened to 57.5 m in November 2024 in order to avoid the spire of the cathedral.



✓ Glenstone Art Museum, Maryland USA - MDT 809

The jib reached 85 m long with the addition of a 5 m section.



Safety and productivity are the key words.

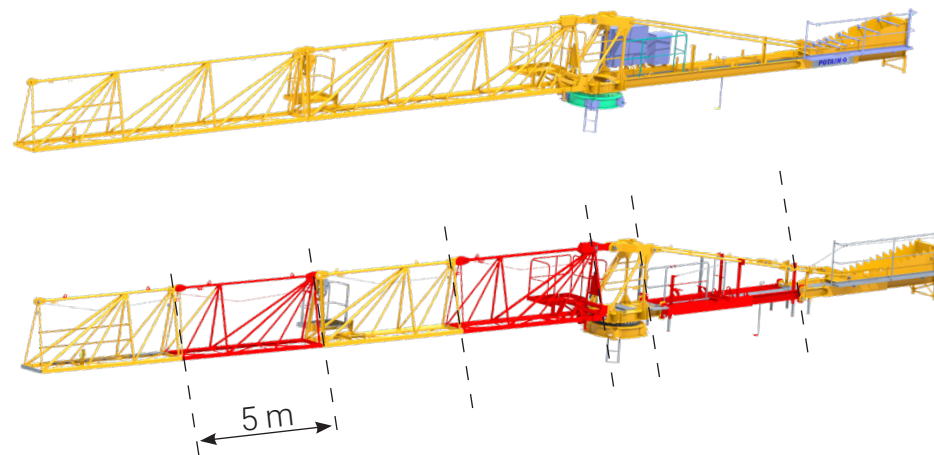


Erection by helicopter

The erection of a crane by helicopter requires a special process and sometimes the modification of pertinent jib sections regarding the weight and size of its components. These configurations can also be used to install a crane in old towns that involve space limitations.

	Maximum component weight	Maximum component length
MCT 88	2.2 t	6 m
MDT 219	2.4 t	10.2 m

The erection of a crane by helicopter necessitates a reduction in size and weight of relevant jib elements. For example, the jib and counter-jib sections of this MCT 88 had to be cut into 5 meter long elements.



Mer De Glace, France - MDT 109



Sainte-Rose Power Station, La Réunion, France - MCT 58



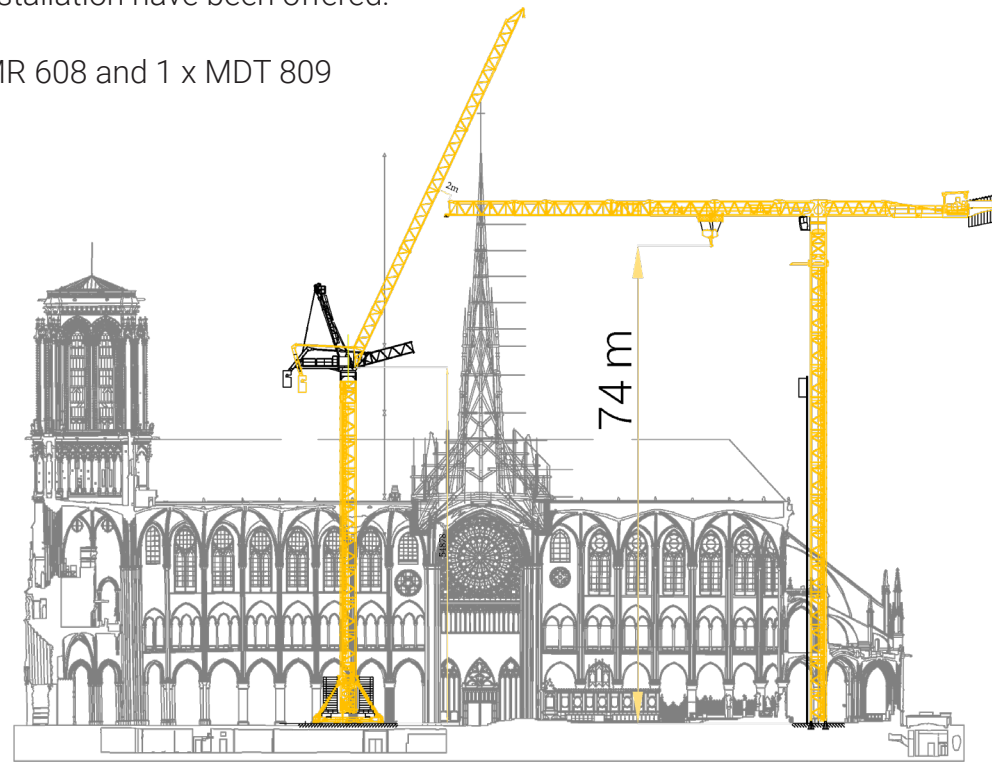
Crane installations

We support our customers for special sites and cranes installations supplying a complete technical engineering solution including studies, recommendations and drawings.

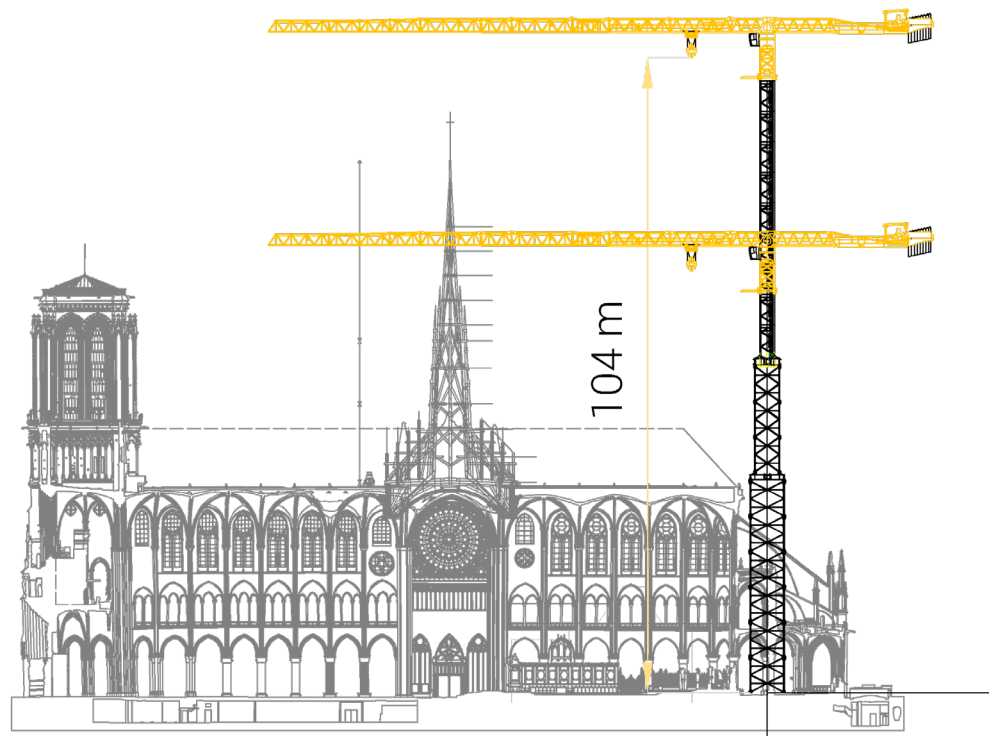
✓ Notre Dame De Paris Cathedral, France - MDT 809

2 options of installation have been offered:

Option 1: 1 x MR 608 and 1 x MDT 809

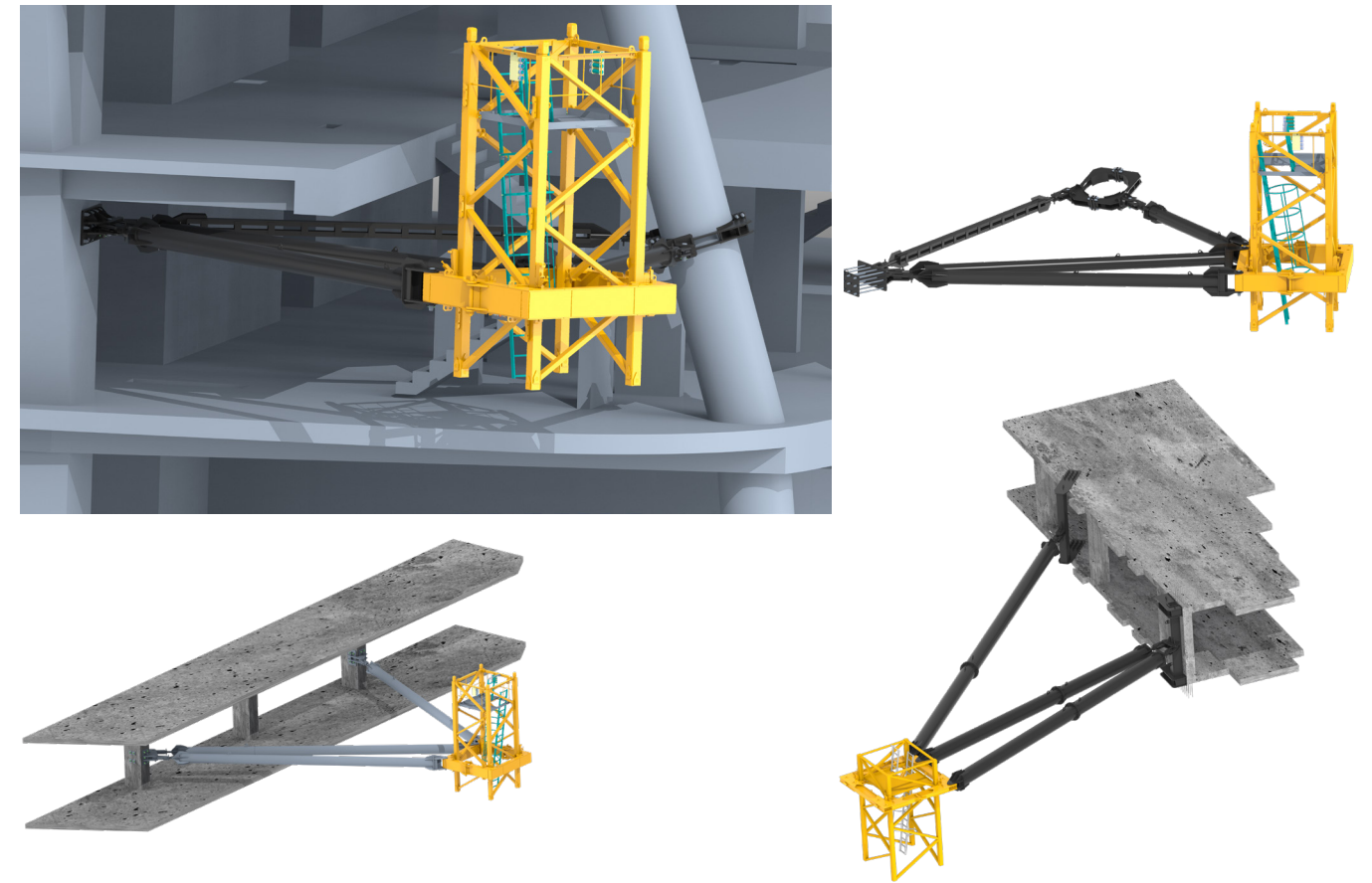


Option 2: 1 x MDT 809 (110 m of autonomous height)

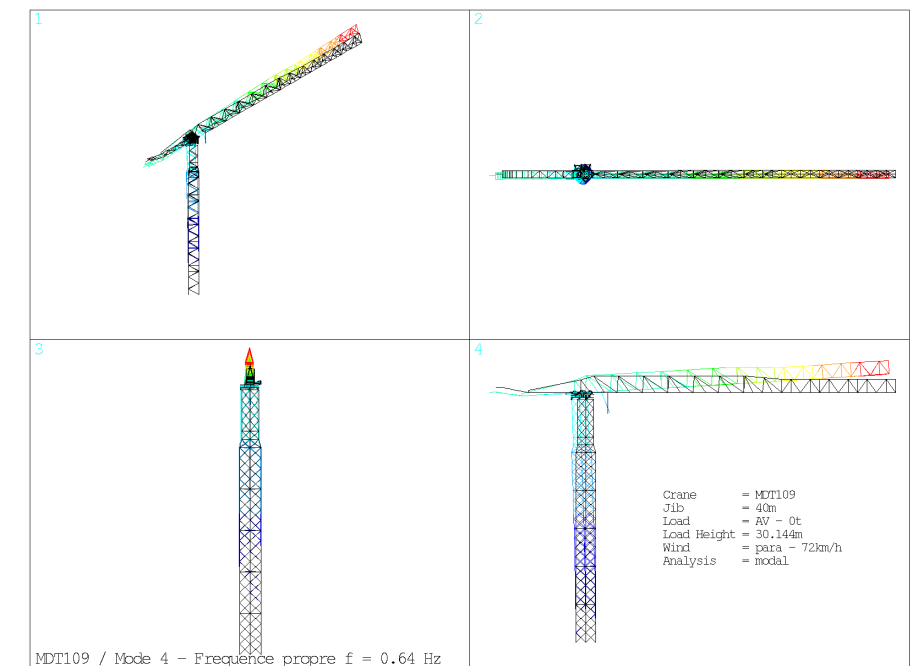
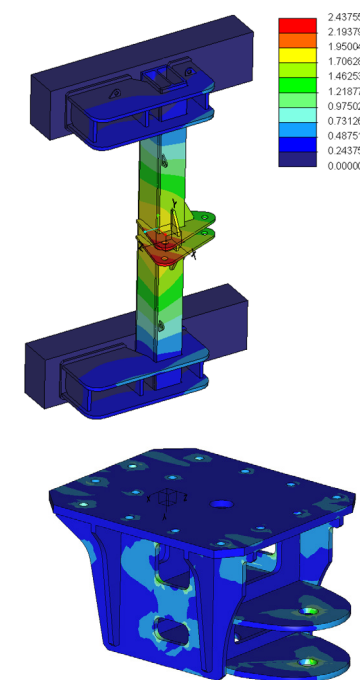


✓ Anchorages

This technique of anchoring to the building by means of anchorage frames allows our cranes to reach breathtakingly heights, exceeding 300 m.



Calculations





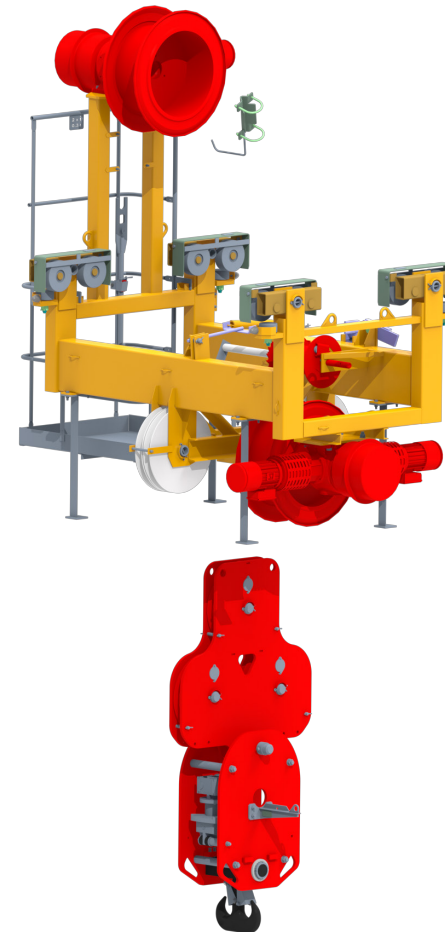
✓ Zorlu Levent, Turkey - MCR 225 A

Two MCR 225 A cranes engaged in the construction of a building in Istanbul with a final height of 200 m. They rest on different floors by means of collars and then rise at the same time as the building (standard climbing sequences).

Internal Product Customization (IPC)

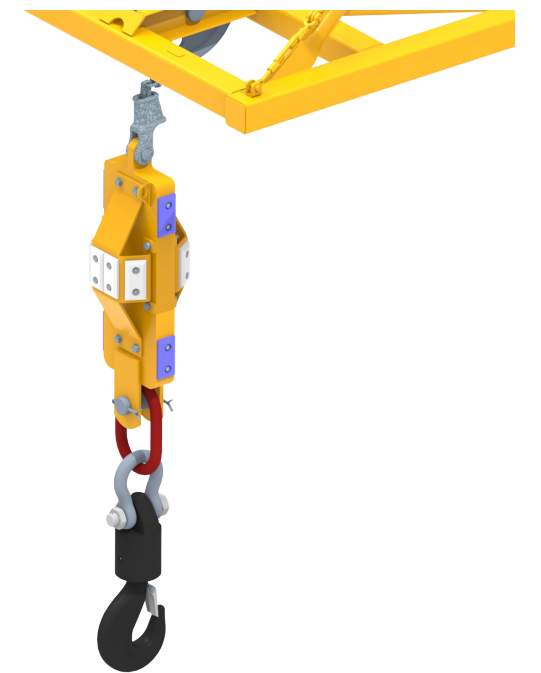
✓ Motorized hook, Italy - MD 689

The customer wanted complete control of the load in all axes: this required rotation of the hook. The addition of 2 cable winders provided electrical cabling to the hook enabling it to rotate.



✓ Customized hook block, UK - MR 608

MR 608 hook custom to install a compact one fall hook.



Maxi cranes

✓ New generation of Maxi cranes

The Maxi cranes can be adapted to reach your expectations on every site: dams, shipyards, industrial applications... and much much more. Available on request, don't hesitate to contact us.



The Manitowoc Company, Inc.

Regional headquarters

Americas

Milwaukee, Wisconsin, USA
Tel: +1 414 760 4600

Shady Grove, Pennsylvania, USA
Tel: +1 717 597 8121

Europe and Africa

Dardilly, France - TOWERS
Tel: +33 (0) 4 72 18 20 20

Wilhelmshaven, Germany - MOBILE
Tel.: +49 (0) 4421 294 0

APAC

Shanghai, China
Tel.: +86 21 6457 0066

Singapore
Tel.: +65 6264 1188

Middle East and India

Dubai, UAE
Tel: +971 4 8862677

This document is non-contractual. Constant improvement and engineering progress make it necessary that we reserve the right to make specification, equipment, and price changes without notice. Illustrations shown may include optional equipment and accessories and may not include all standard equipment.

