

# GMK3060L-1

## Product Guide

ASME B30.5  
Imperial 85%



### Features

- 60 t (65 USt) capacity
- 9,6 m-48 m (31.3 ft-157.5 ft) seven-section boom
- Patented TWIN-LOCK™ boom pinning system
- 8,7 m –15 m (28.5 ft – 49.2 ft) bi-fold swingaway, hydraulic or manual offset
- 13,5 t (29,760 lb) counterweight with hydraulic removal system
- Cummins QSL9-C350 Tier 4 Final six-cylinder turbo-charged diesel engine. ZF Traxon transmission
- MEGATRAK™ independent hydro-pneumatic suspension
- Manitowoc Crane Control System (CCS)
- MAXbase variable outrigger positioning system

# GROVE GMK3060L-1

## Features

The GMK3060L-1 all-terrain crane combines a powerful, seven-section MEGAFORM™ boom with a compact three-axle carrier, making it ideal for a variety of work in tight locations.

### > Compact and strong

The GMK3060L-1 not only has the best taxi load charts in its class, but is also the most compact with the shortest overall length and lowest height with the smallest tailswing.



### > TWINLOCK™

Boom pinning mechanism automatically pins the sections in position using two horizontal pins. The use of a single telescoping cylinder reduces weight and increases lifting capacities.

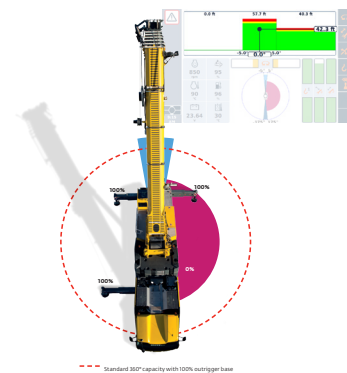


### > Crane Control System (CCS)

The new crane control system (CCS) offers a user-friendly interface, two full graphic displays mounted vertically for better visibility, a jog dial for easier data input and ergonomic joysticks.

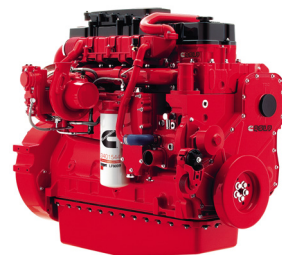
### > MAXbase Variable Outrigger Positioning System

MAXbase calculations improve load charts with symmetrical outrigger positioning. The four sector formula allows an increased working range beyond the 360 degree load charts.



### > Engine

Cummins QSL9, 6 cylinder in-line, water cooled, turbo charged engine. High pressure fuel injection system, electronic engine management, and meets all Tier 4 Final/ Euromot 5 requirements.



## Jobsite benefits

- Higher and stronger. With a maximum boom and extension length of 63 m (206.7 ft) the crane can still lift 2,4 t (2.7 USt).
- Increased flexibility with multiple counterweight configurations that provide optimal Taxi arrangements.
- Three outrigger positions provide ultimate flexibility for job sites with the ability to position the crane in tighter spaces.
- MEGATRAK™ independent suspension, all-wheel steering system and steer by wire technology provides increased ground clearance, adjustable suspension and reduces tire-wear to provide maximum maneuverability in all-terrains.
- Compact length and a minimum width of 2,55 m (8.4 ft) allow access to even the most narrow of jobsites, while optimizing crane set up and lifting position.
- The new Boom Configurator mode thru the Crane Control System (CCS) simplifies the telescoping process and allows for quick on-board lift planning.



The assurance of the world's most advanced crane service and support to get you back to work fast.

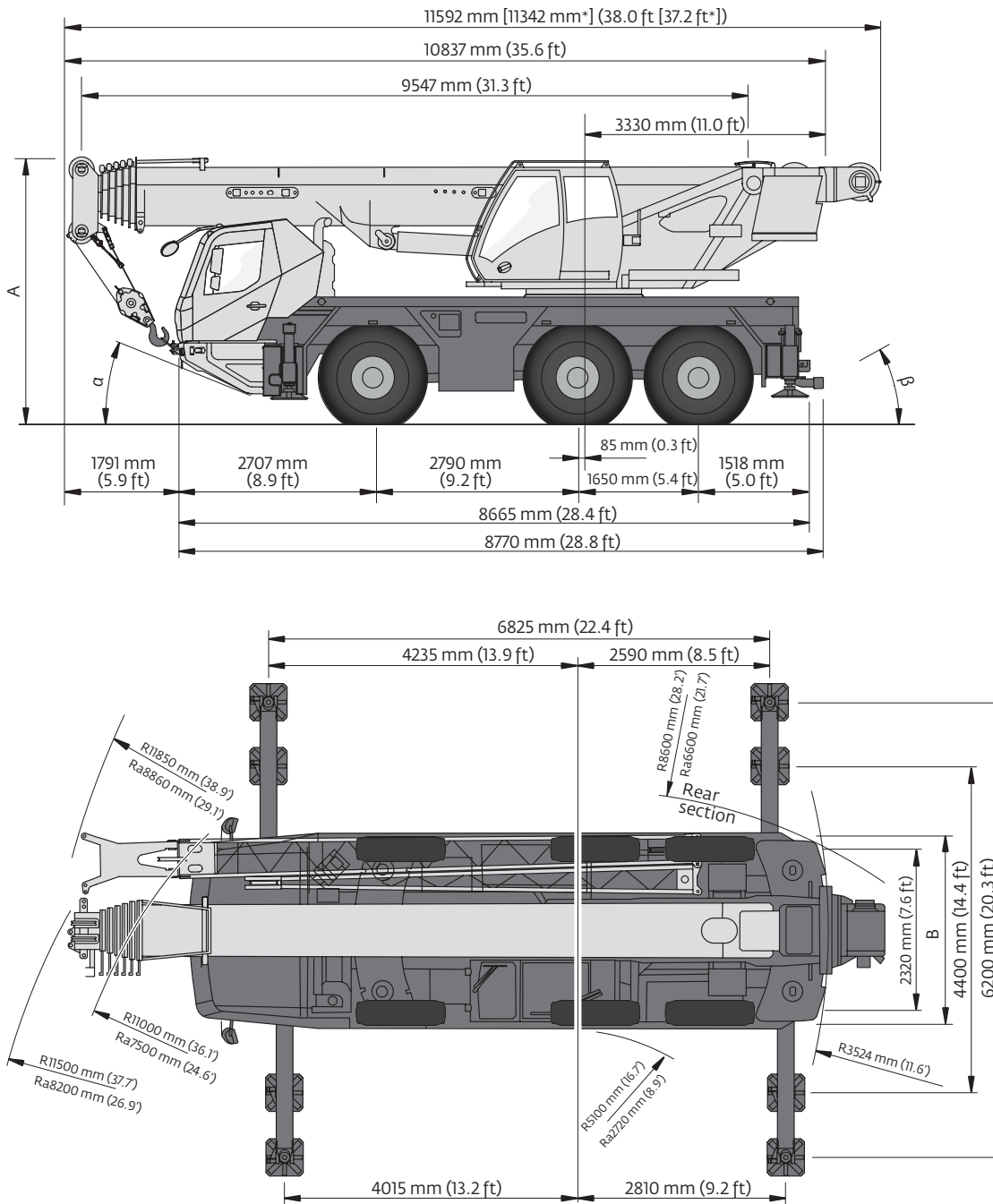


Financial tools that help you capitalize on opportunity with solutions that fit your needs.

# Contents

Dimensions .....	5
Weights .....	6
Counterweight .....	7
Data .....	8
Working Range - Main boom .....	9
Load chart - Main boom .....	10
Working range main boom and hydraulic offsettable swingaway .....	18
Load chart main boom and hydraulic offsettable swingaway .....	19
Specifications .....	21
Symbols glossary.....	22

# Dimensions



Dimensions shown are in mm (ft)

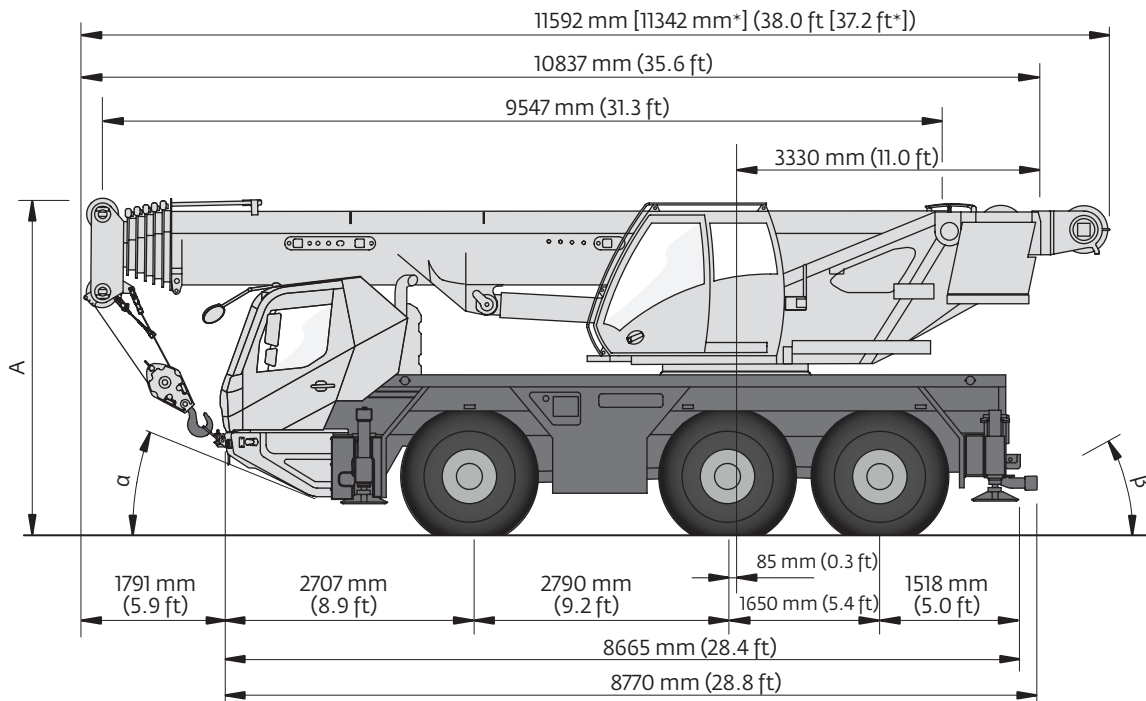
Ra = Radius all wheels steered

	A	A 130 mm*	B	C	D	E	F	$\alpha$	$\beta$
14.00 R25	3770 (12.4)	3640 (11.9)	2550 (8.4)	1780 (5.8)	1780 (5.8)	495 (1.6)	330 (1.1)	25°	27°
16.00 R25	3820 (12.5)	3690 (12.1)	2750 (9.0)	1830 (6.0)	1830 (6.0)	545 (1.8)	380 (1.2)	27°	29°
20.50 R25	3820 (12.5)	3690 (12.1)	2860 (9.4)	1830 (6.0)	1830 (6.0)	545 (1.8)	380 (1.2)	27°	29°

\*Lowered

# Weights

## Boom over front

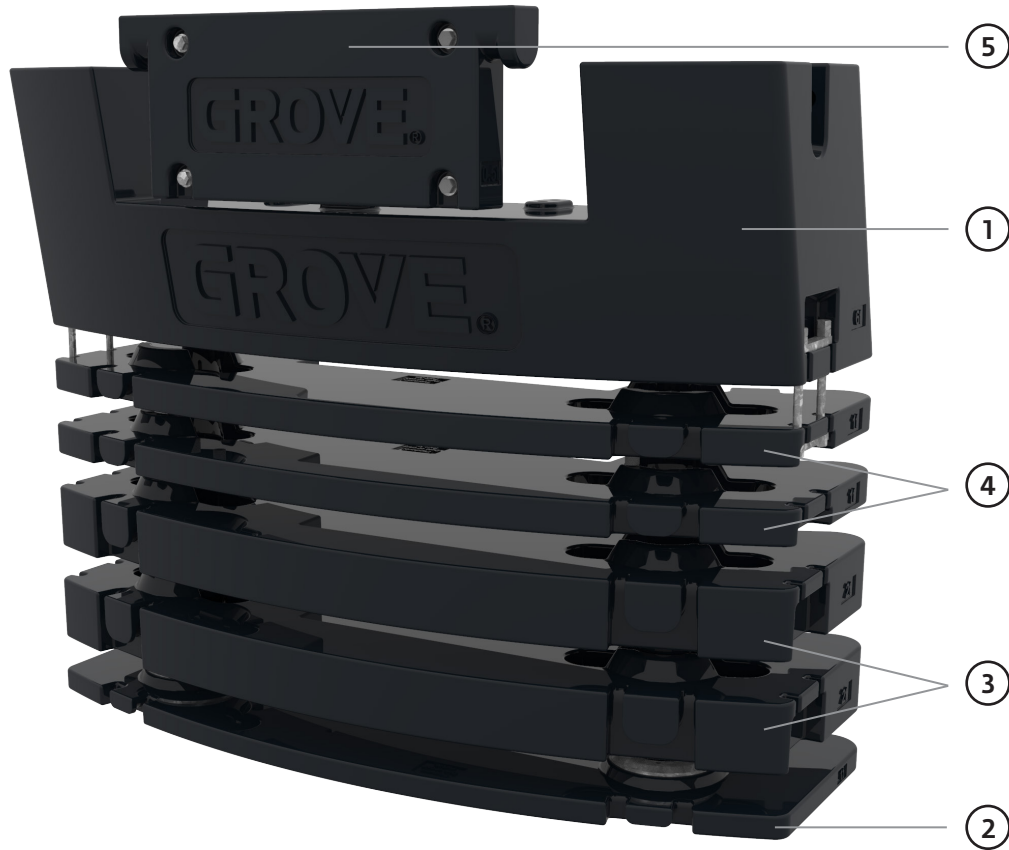



## Boom over front

Basic weights - kg lb	Axle 1		Axles 2 and 3		Total	
Cummins power, 28.5 ft – 49.2 ft hydraulic offset swingaway including brackets and hose reel, 16.00R25 tires, 6x4x6 drive/steer, 2nd oil cooler, auxiliary boom nose, auxiliary hoist, 7500 kg (16,535 lb) counterweight fixed to the superstructure, 1000 kg (2205 lb) base plate on carrier deck, polymer outrigger pads, single-sheave 16 t (18 USt) hook block, driver and tanks filled.	12,500 kg	27,560 lb	24,860 kg	54,780 lb	37,350 kg	82,350 lb
<b>Additions:</b>						
6x6x6 drive/steer	379 kg	836 lb	19 kg	42 lb	398 kg	878 lb
Electric driveline retarder	-17 kg	-37 lb	186 kg	411 lb	170 kg	375 lb
Spare wheel 14.00 R25 XGC steel rim with stowage	-183 kg	-403 lb	454 kg	1000 lb	271 kg	597 lb
Spare wheel 16.00 R25 XGC steel rim with stowage	-219 kg	-482 lb	543 kg	1196 lb	324 kg	714 lb
Spare wheel 20.5 R25 XGC steel rim with stowage	-261 kg	-576 lb	648 kg	1429 lb	387 kg	853 lb
<b>Substitutions:</b>						
14.00R25 tires	-106 kg	-234 lb	-212 kg	-467 lb	-318 kg	-701 lb
20.5R25 tires	126 kg	278 lb	252 kg	556 lb	378 kg	833 lb
<b>Removals:</b>						
Brackets for hydraulic swingaway	-68 kg	-149 lb	8 kg	17 lb	-60 kg	-132 lb
Hose reel for hydraulic swingaway	-180 kg	-396 lb	-11 kg	-25 lb	-191 kg	-421 lb
8,7 m – 15 m (28.5 ft – 49.2 ft) hydraulic swingaway	-1026 kg	-2267 lb	79 kg	175 lb	-947 kg	-2088 lb
Auxiliary boom nose	-128 kg	-283 lb	68 kg	151 lb	-60 kg	-132 lb
Outrigger floats front	-59 kg	-131 lb	15 kg	34 lb	-44 kg	-97 lb
Outrigger floats rear	24 kg	53 lb	-68 kg	-150 lb	-44 kg	-97 lb

# Counterweight

## Counterweight



	①* 6,0 t (6.6 USt)	② 1,0 t (1.1 USt)	③ 2,0 t (2.2 USt)	④ 1,0 t (1.1 USt)	⑤ 0,5 t (0.6 USt)
6,5 t (7.2 USt)	X				X
7,5 t (8.3 USt)	X	X			X
8,5 t (9.4 USt)	X	X		X	X
9,5 t (10.5 USt)	X	X	X		X
10,5 t (11.6 USt)	X	X	X	X	X
11,5 t (12.7 USt)	X	X	X	2X	X
12,5 t (13.8 USt)	X	X	2X	X	X
13,5 t (14.9 USt)	X	X	2X	2X	X

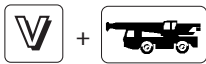
\*Fixed at turntable

# Data



Lifting Capacity	Sheaves	Weight	Parts of line	Possible load with crane*
63 t (69 USt)	5	600 kg (1322 lb)	2 - 10 t / 11	50 t (65 USt) <sup>□</sup>
40 t (44 USt)	3	400 kg (880 lb)	2 - 7	35 t (38 USt)
16 t (18 USt)	1	250 kg (550 lb)	1 - 3	15 t (16.5 USt)
8 t (9 USt)	over haul weight	200 kg (440 lb)	1	5 t (5.5 USt)

<sup>□</sup> Requires additional boom nose sheave



	1	2	3	4	5	6	7	8	9	10	11	12	R1	R2	
mph	3.5	4	5.2	6.7	8.5	10.9	14.4	18.5	23.8	30.5	38.8	49.7	3.4	4.3	82 %
	14.00 R25														



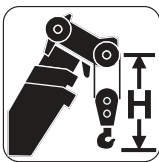
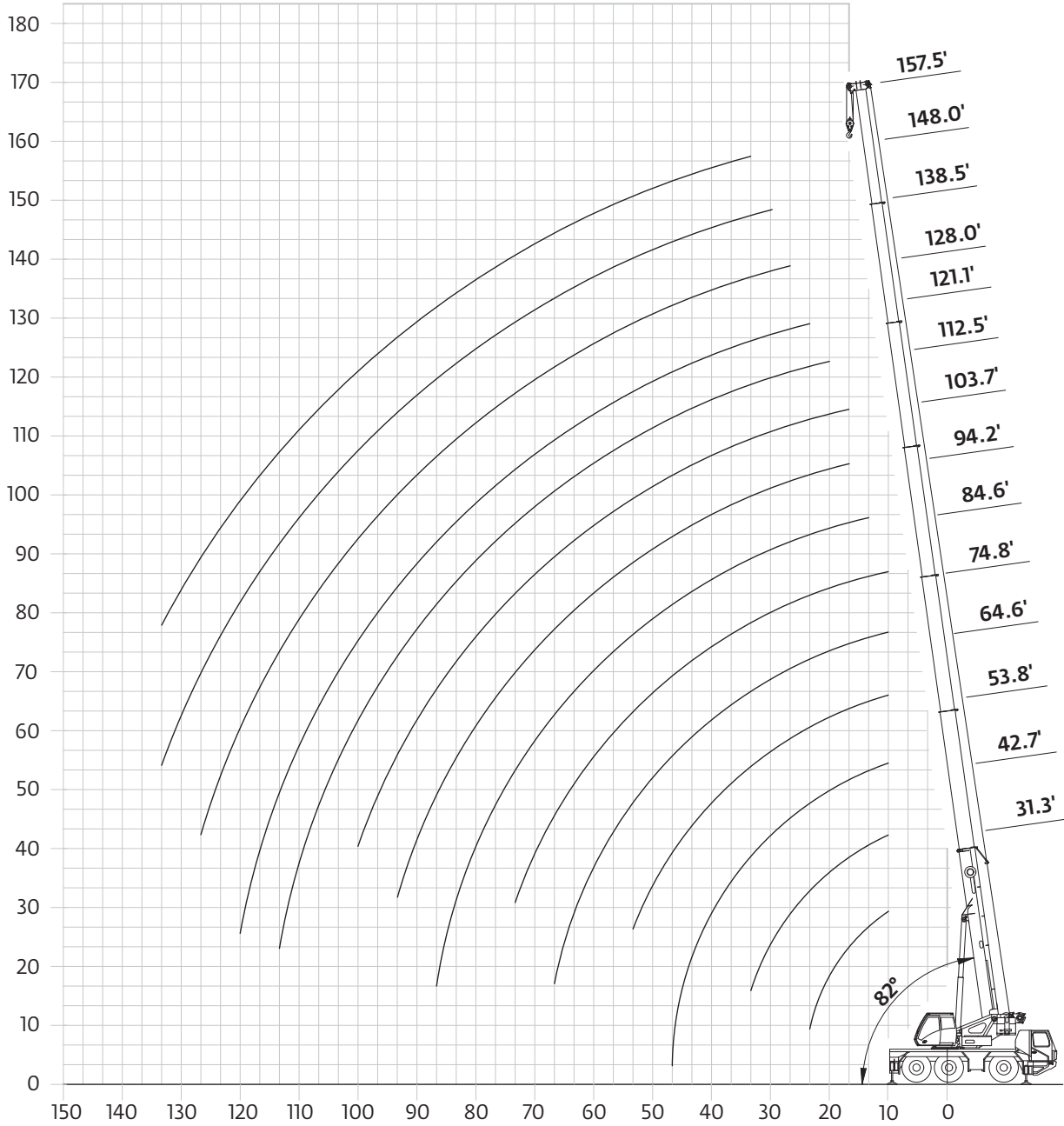
	Infinitely variable		Rope	Permissible line pull max.
	0 - 125 m/min (410 fpm)	single line	16 mm / 170 m (558 ft)	50 kN (11,240 lb)
	0 - 125 m/min (410 fpm)	single line	16 mm / 170 m (558 ft)	50 kN (11,240 lb)
	0 - 2,2 min <sup>-1</sup>			
	-2,7° to + 82°	< 40 s		
	9,6 m - 48 m (31.3 ft - 157.5 ft)	320 s		



# Working range

Main boom

**9,6 m - 48 m (31.3 ft - 157.5 ft) main boom**



Hook block	H
69 USt, 5-sheave quick-reeving	3300 mm (10.8 ft)
44 USt, 3-sheave quick-reeving	3200 mm (10.5 ft)
18 USt, 1-sheave quick-reeving	3100 mm (10.2 ft)
9 USt single overhaul ball	2700 mm (8.9 ft)

Tip heights shown in the working range diagram do not consider loaded boom deflection.

# Load chart

## Main boom



9,6 m - 48,0 m  
(31.3 ft - 157.5 ft)



13 500 kg  
(29,760 lb)



6,8 m x 6,2 m  
(22.4 ft x 20.4 ft)  
100%



360°







Pounds x 1000

Feet	31.3	40.8- 42.8	50.3- 54.0	61-64.7	70.1- 75.0	83- 94.4	101.4- 105.8	110- 113.8	117.1- 124.1	127.8- 138.1	141.3- 148.0	155.2- 157.5
10	98.0	98.0	97.0	86.0								
15	75.0	75.0	74.0	75.0	67.0	54.0						
20	60.0	60.0	59.0	59.0	57.0	48.0	37.0	31.8				
25		47.0	47.0	46.0	45.0	41.8	32.6	28.6	27.2	23.2		
30		38.0	37.6	37.4	35.2	35.0	28.4	25.4	24.8	22.0	18.0	
35		8.8	30.6	30.4	29.4	28.4	24.8	23.0	22.0	20.4	16.6	14.6
40			26.2	25.2	25.2	23.8	21.8	21.0	19.6	18.4	15.2	13.6
45			18.0	20.6	21.4	20.2	19.0	18.6	17.6	16.6	14.0	12.6
50				18.8	18.0	17.2	17.0	15.8	15.6	15.0	12.8	11.8
55				13.2	15.6	15.4	15.4	13.6	13.4	13.2	11.8	10.8
60					14.2	13.4	13.4	11.8	11.8	11.6	10.8	10.0
65					10.0	11.6	11.8	10.8	10.2	10.0	10.0	9.2
70						10.0	10.6	10.2	9.0	8.8	9.2	8.6
75						8.6	9.4	9.6	8.0	7.8	8.2	8.0
80						7.6	8.2	8.6	7.6	6.8	7.2	7.4
85						6.6	7.2	7.6	7.0	6.4	6.4	6.6
90							6.4	6.8	6.6	6.0	5.6	5.8
95							5.6	6.0	6.2	5.6	5.0	5.2
100								5.2	5.4	5.2	4.4	4.6
105								4.6	4.8	4.8	3.8	4.0
110									4.2	4.4	3.2	3.6
115									3.8	4.0	2.6	3.0
120										3.4	2.2	2.6
125										1.4	1.8	2.2
130											1.4	1.8
135											1.8	1.4

THIS CHART IS ONLY A GUIDE AND SHOULD NOT BE USED TO OPERATE THE CRANE.  
The individual crane's load chart, operating instructions and other instructional plates must be read and understood prior to operating the crane

# Load charts

## Main boom

**9,6 m - 48,0 m**  
**(31.3 ft - 157.5 ft)**

**12 500 kg**  
**(27,560 lb)**

**6,8 m x 6,2 m**  
**(22.4 ft x 20.4 ft)**  
**100%**

**360°**



Pounds x 1000

Feet	31.3	40.8- 42.8	50.3- 54.0	61-64.7	70.1- 75.0	83- 94.4	101.4- 105.8	110- 113.8	117.1- 124.1	127.8- 138.1	141.3- 148.0	155.2- 157.5
10	98.0	98.0	97.0	86.0								
15	75.0	75.0	74.0	75.0	67.0	54.0						
20	59.0	60.0	59.0	59.0	57.0	48.0	37.0	31.8				
25		47.0	46.0	44.0	43.4	41.8	32.6	28.6	27.2	23.2		
30		37.4	36.8	36.0	33.6	33.4	28.4	25.4	24.8	22.0	18.0	
35		8.8	29.6	29.0	29.0	27.2	24.8	23.0	22.0	20.4	16.6	14.6
40			25.0	24.0	24.2	23.6	21.6	21.0	19.6	18.4	15.2	13.6
45			17.6	20.6	20.4	20.6	18.4	17.6	17.4	16.6	14.0	12.6
50				18.4	17.2	17.8	16.8	15.0	14.8	14.4	12.8	11.8
55				12.4	15.6	15.4	14.6	13.0	12.8	12.6	11.8	10.8
60					13.6	13.2	12.8	11.8	11.0	10.8	10.8	10.0
65					9.4	11.6	11.2	10.8	9.6	9.4	10.0	9.2
70						10.2	10.0	10.2	8.6	8.6	8.8	8.6
75						8.2	8.8	9.0	8.0	8.0	7.6	7.6
80						7.0	7.6	8.0	7.6	7.6	7.2	6.8
85						6.2	6.6	7.2	7.0	7.0	6.6	6.0
90							5.8	6.2	6.4	6.4	6.0	5.4
95							5.2	5.6	5.8	5.8	5.2	4.8
100								4.8	5.0	5.0	4.8	4.2
105								4.2	4.4	4.6	4.2	3.6
110									4.0	4.0	3.6	3.2
115									3.4	3.6	3.2	2.6
120										3.2	2.6	2.2
125											2.2	1.8
130											2.0	1.4
135											1.6	

THIS CHART IS ONLY A GUIDE AND SHOULD NOT BE USED TO OPERATE THE CRANE.  
 The individual crane's load chart, operating instructions and other instructional plates must be read and understood prior to operating the crane

# Load charts

## Main boom



9,6 m – 48,0 m  
(31.3 ft – 157.5 ft)



11 500 kg  
(25,340 lb)



6,8 m x 6,2 m  
(22.4 ft x 20.4 ft)  
100%



360°



Pounds x 1000

Feet	31.3	40.8-42.8	50.3-54.0	61-64.7	70.1-75.0	83-94.4	101.4-105.8	110-113.8	117.1-124.1	127.8-138.1	141.3-148.0	155.2-157.5
10	98.0	97.0	97.0	86.0								
15	75.0	75.0	74.0	74.0	67.0	54.0						
20	58.0	59.0	59.0	58.0	56.0	48.0	37.0	31.8				
25		46.0	45.0	43.0	41.6	41.0	32.6	28.6	27.2	23.2		
30		36.8	35.2	34.6	33.2	32.0	28.4	25.4	24.8	22.0	18.0	
35		8.8	29.6	27.8	27.8	26.4	24.8	23.0	22.0	20.4	16.6	14.6
40			24.0	23.0	23.0	23.2	20.4	20.0	19.6	18.4	15.2	13.6
45			16.6	20.6	19.4	19.8	18.4	16.8	16.6	16.2	14.0	12.6
50				17.6	17.0	17.0	16.0	14.2	14.0	13.8	12.8	11.8
55				11.6	15.0	14.6	13.8	12.6	12.0	11.8	11.8	10.8
60					13.0	12.6	12.2	11.8	10.4	10.2	10.6	10.0
65					9.2	11.0	10.6	10.8	9.4	8.8	9.4	9.2
70						9.6	9.4	9.6	8.6	7.8	8.2	8.2
75						7.6	8.2	8.6	8.0	7.4	7.6	7.2
80						6.6	7.2	7.6	7.6	6.8	7.0	6.4
85						5.6	6.2	6.6	6.8	6.4	6.2	5.6
90							5.4	5.8	6.0	6.0	5.4	5.0
95							4.8	5.0	5.2	5.4	4.8	4.2
100								4.4	4.6	4.8	4.2	3.8
105								3.8	4.4	4.2	3.8	3.2
110									4.0	3.6	3.2	2.8
115									3.6	3.2	2.8	2.4
120										2.8	2.4	2.0
125											2.0	1.6
130											1.6	
135												1.2

THIS CHART IS ONLY A GUIDE AND SHOULD NOT BE USED TO OPERATE THE CRANE.

The individual crane's load chart, operating instructions and other instructional plates must be read and understood prior to operating the crane

# Load charts

## Main boom



9,6 m – 48,0 m  
(31.3 ft – 157.5 ft)



10 500 kg  
(23,140 lb)



6,8 m x 6,2 m  
(22.4 ft x 20.4 ft)  
100%



360°



Pounds x 1000

Feet	31.3	40.8- 42.8	50.3- 54.0	61-64.7	70.1- 75.0	83- 94.4	101.4- 105.8	110- 113.8	117.1- 124.1	127.8- 138.1	141.3- 148.0	155.2- 157.5
10	97.0	97.0	97.0	86.0								
15	74.0	75.0	74.0	74.0	67.0	54.0						
20	57.0	58.0	58.0	56.0	54.0	48.0	37.0	31.8				
25		45.0	44.0	43.0	39.8	39.4	32.6	28.6	27.2	23.2		
30		35.4	33.8	33.0	32.8	30.6	28.4	25.4	24.8	22.0	18.0	
35		8.8	28.8	26.6	26.6	26.4	23.6	22.8	22.0	20.4	16.6	14.6
40			23.0	23.0	22.0	22.2	19.8	19.0	18.6	18.2	15.2	13.6
45			15.6	20.0	18.8	18.8	17.6	16.0	15.6	15.2	14.0	12.6
50				16.8	16.8	16.2	15.2	13.6	13.4	13.0	12.8	11.8
55				10.8	14.4	14.0	13.2	12.6	11.4	11.2	11.6	10.8
60					12.4	12.0	11.4	11.6	10.0	9.6	10.0	10.0
65					9.2	10.4	10.0	10.2	9.4	8.4	8.8	8.6
70						9.0	8.8	9.0	8.6	7.8	8.2	7.6
75						7.0	7.6	8.0	8.0	7.4	7.4	6.8
80						6.2	6.6	7.0	7.0	6.8	6.4	5.8
85						5.2	5.8	6.2	6.4	6.2	5.6	5.2
90							5.2	5.4	5.6	5.6	5.0	4.4
95							4.2	4.6	5.0	5.0	4.4	3.8
100								4.0	4.6	4.4	3.8	3.4
105								3.4	4.2	3.8	3.4	2.8
110									3.6	3.2	2.8	2.4
115									3.2	2.8	2.4	2.0
120										2.4	2.0	1.6
125											1.6	
130												1.2

THIS CHART IS ONLY A GUIDE AND SHOULD NOT BE USED TO OPERATE THE CRANE.  
The individual crane's load chart, operating instructions and other instructional plates must be read and understood prior to operating the crane

# Load charts

## Main boom



9,6 m - 48,0 m  
(31.3 ft - 157.5 ft)



9500 kg  
(21,000 lb)



6,8 m x 6,2 m  
(22.4 ft x 20.4 ft)  
100%



360°



Pounds x 1000

Feet	31.3	40.8- 42.8	50.3- 54.0	61-64.7	70.1- 75.0	83- 94.4	101.4- 105.8	110- 113.8	117.1- 124.1	127.8- 138.1	141.3- 148.0	155.2- 157.5
10	97.0	97.0	81.0	86.0								
15	74.0	75.0	71.0	74.0	67.0	54.0						
20	56.0	57.0	57.0	53.0	52.0	48.0	37.0	31.8				
25		45.0	42.2	41.0	38.2	37.6	32.6	28.6	27.2	23.2		
30		33.8	33.6	31.6	31.4	29.6	27.6	25.4	24.8	22.0	18.0	
35		8.8	27.4	25.6	25.4	25.4	22.4	21.8	21.4	20.4	16.6	14.6
40			22.0	22.8	21.0	21.2	19.8	18.0	17.6	17.2	15.2	13.6
45			18.4	19.0	18.8	17.8	16.8	15.0	14.8	14.4	14.0	12.6
50				16.0	16.0	15.4	14.4	13.6	12.6	12.2	12.6	11.8
55				10.0	13.6	13.2	12.4	12.6	11.0	10.4	10.8	10.8
60					11.8	11.4	10.8	11.0	10.0	9.2	9.4	9.4
65					8.8	9.6	9.4	9.6	9.4	8.4	8.8	8.2
70						8.4	8.2	8.4	8.4	7.8	7.8	7.2
75						6.8	7.0	7.4	7.4	7.2	6.8	6.2
80						6.2	6.0	6.6	6.6	6.6	6.0	5.4
85						4.6	5.6	5.6	5.8	5.8	5.2	4.6
90							5.2	4.8	5.2	5.2	4.6	4.0
95							3.8	4.4	5.0	4.6	4.0	3.4
100								4.2	4.4	4.0	3.4	3.0
105								3.2	3.8	3.4	3.0	2.4
110									3.4	3.0	2.6	2.0
115									2.8	2.6	2.0	1.6
120										2.2	1.6	
125											1.4	

THIS CHART IS ONLY A GUIDE AND SHOULD NOT BE USED TO OPERATE THE CRANE.

The individual crane's load chart, operating instructions and other instructional plates must be read and understood prior to operating the crane

# Load charts

## Main boom



9,6 m – 48,0 m  
(31.3 ft – 157.5 ft)



8500 kg  
(18,800 lb)



6,8 m x 6,2 m  
(22.4 ft x 20.4 ft)  
100%



360°




Pounds x 1000

Feet	31.3	40.8- 42.8	50.3- 54.0	61-64.7	70.1- 75.0	83- 94.4	101.4- 105.8	110- 113.8	117.1- 124.1	127.8- 138.1	141.3- 148.0	155.2- 157.5
10	97.0	97.0	96.0	86.0								
15	74.0	74.0	73.0	74.0	67.0	54.0						
20	56.0	56.0	56.0	51.0	49.0	48.0	37.0	31.8				
25		43.8	40.0	37.0	38.2	35.8	32.6	28.6	27.2	23.2		
30		32.8	33.0	30.0	29.8	29.6	26.2	25.4	24.8	22.0	18.0	
35		8.8	26.2	25.6	24.0	24.2	21.8	20.6	20.2	19.6	16.6	14.6
40			20.8	22.0	20.8	20.0	18.8	17.0	16.6	16.2	15.2	13.6
45			13.4	18.0	18.0	17.0	15.8	14.8	13.8	13.4	14.0	12.6
50				15.2	15.2	14.4	13.6	13.6	12.0	11.2	11.8	11.8
55				9.2	12.8	12.4	11.6	11.8	11.0	10.0	10.4	10.2
60					11.0	10.6	10.0	10.2	10.0	9.2	9.4	8.8
65					8.2	9.0	8.6	8.8	8.8	8.4	8.2	7.6
70						7.6	7.4	7.8	7.8	7.6	7.0	6.4
75						6.8	6.4	6.8	6.8	6.8	6.2	5.6
80						6.2	5.6	6.0	6.0	6.0	5.4	4.8
85						4.2	4.8	5.2	5.6	5.4	4.6	4.2
90							4.0	4.6	5.2	4.6	4.0	3.6
95							3.4	4.4	4.4	4.2	3.4	3.0
100								4.0	4.0	3.6	3.0	2.4
105									3.4	3.0	2.6	2.0
110									3.0	2.6	2.2	1.6
115									2.6	2.2	1.8	
120										1.8	1.4	


*THIS CHART IS ONLY A GUIDE AND SHOULD NOT BE USED TO OPERATE THE CRANE.  
The individual crane's load chart, operating instructions and other instructional plates must be read and understood prior to operating the crane*

# Load charts


## Main boom




9,6 m – 48,0 m  
(31.3 ft – 157.5 ft)




7500 kg  
(16,600 lb)




6,8 m x 6,2 m  
(22.4 ft x 20.4 ft)  
100%



360°




---

 Pounds x 1000

Feet	31.3	40.8-42.8	50.3-54.0	61-64.7	70.1-75.0	83-94.4	101.4-105.8	110-113.8	117.1-124.1	127.8-138.1	141.3-148.0	155.2-157.5
10	97.0	97.0	96.0	86.0								
15	74.0	74.0	73.0	74.0	67.0	47.0						
20	55.0	56.0	53.0	51.0	47.0	39.4	37.0	31.8				
25		41.8	38.8	37.2	36.8	34.0	31.8	28.6	27.2	23.2		
30		31.2	30.2	29.0	28.4	28.4	25.0	24.0	23.6	22.0	18.0	
35		8.8	24.8	25.4	23.4	23.0	21.4	19.4	19.0	18.6	16.6	14.6
40			19.8	20.8	20.2	19.0	17.8	16.0	15.6	15.2	15.2	13.6
45			12.4	17.2	17.0	16.0	15.0	14.8	13.2	12.6	13.0	12.6
50				14.4	14.4	13.6	12.6	12.8	12.0	11.0	11.4	11.0
55				8.8	12.0	11.6	10.8	11.0	11.0	10.0	10.0	9.4
60					10.2	9.8	9.2	9.4	9.4	9.2	8.6	8.0
65					7.6	8.4	8.0	8.2	8.2	8.2	7.6	6.8
70						7.2	7.0	7.2	7.2	7.2	6.6	6.0
75						6.8	6.6	6.2	6.2	6.4	5.6	5.0
80						6.2	6.0	5.6	5.4	5.6	4.8	4.2
85						3.6	5.2	5.2	4.8	4.8	4.2	3.6
90							3.6	4.8	4.2	4.2	3.6	3.0
95							3.0	4.2	3.6	3.6	3.0	2.6
100								3.8	3.0	3.2	2.6	2.0
105								2.4	2.4	2.6	2.2	1.6
110									2.0	2.2	1.8	
115									1.6	1.8	1.4	
120										1.4		

*THIS CHART IS ONLY A GUIDE AND SHOULD NOT BE USED TO OPERATE THE CRANE.  
The individual crane's load chart, operating instructions and other instructional plates must be read and understood prior to operating the crane.*



# Load charts

## Main boom



9.6 m – 48.0 m  
(31.3 ft – 157.5 ft)



6500 kg  
(14,400 lb)



6.8 m x 6.2 m  
(22.4 ft x 20.4 ft)  
100%



360°



Pounds x 1000

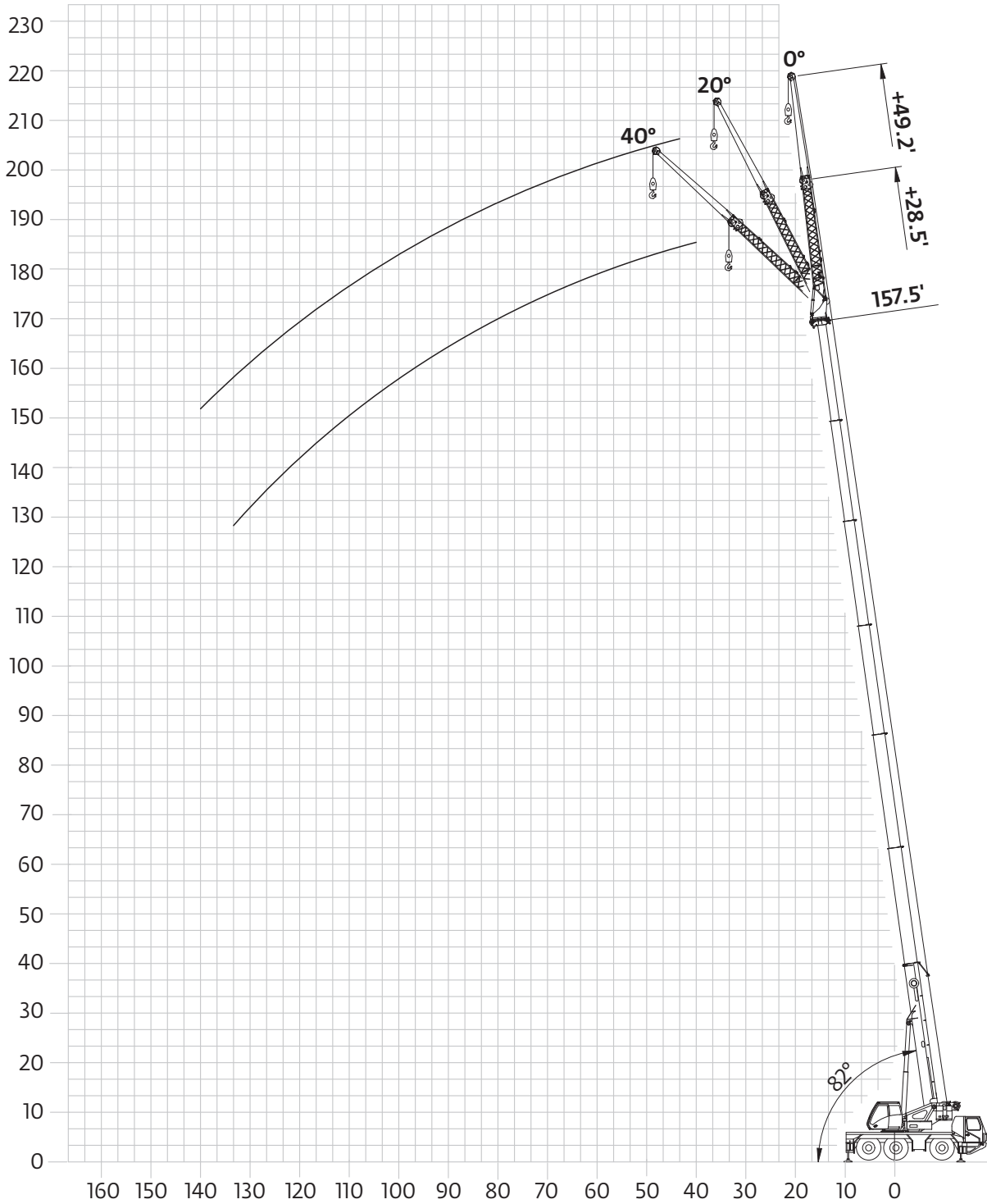
Feet	31.3	40.8- 42.8	50.3- 54.0	61-64.7	70.1- 75.0	83- 94.4	101.4- 105.8	110- 113.8	117.1- 124.1	127.8- 138.1	141.3- 148.0	155.2- 157.5
10	97.0	96.0	96.0	86.0								
15	74.0	74.0	73.0	72.0	67.0	54.0						
20	54.0	55.0	50.0	49.0	45.0	43.6	37.0	31.8				
25		40.4	38.2	35.4	35.0	34.0	30.2	28.6	27.2	23.2		
30		29.4	30.0	28.6	27.0	27.0	23.6	22.8	22.2	21.6	18.0	
35		8.8	23.6	24.2	23.2	21.8	20.4	18.4	17.8	17.4	16.6	14.6
40			19.4	19.8	19.2	18.0	16.8	16.0	14.6	14.2	14.6	13.6
45			11.6	16.2	16.0	15.0	14.0	14.0	13.2	12.2	12.4	12.0
50				13.4	13.4	12.6	11.8	12.0	11.8	11.0	11.0	10.2
55				8.8	11.2	10.8	10.0	10.2	10.2	10.0	9.4	8.6
60					9.6	9.0	8.6	8.8	8.8	8.8	8.0	7.4
65					6.8	7.8	7.6	7.6	7.6	7.6	6.8	6.2
70						7.2	7.0	6.6	7.0	6.6	6.0	5.4
75						6.8	6.6	6.0	6.2	5.8	5.0	4.4
80						6.2	6.0	5.6	5.4	5.0	4.4	3.8
85						3.2	5.4	5.2	4.8	4.4	3.6	3.2
90							4.6	4.4	4.2	3.8	3.2	2.6
95							4.4	3.8	3.6	3.2	2.6	2.0
100								3.4	3.0	2.8	2.2	1.6
105									2.6	2.2	1.8	
110									2.2	1.8	1.4	
115									1.8	1.4		

THIS CHART IS ONLY A GUIDE AND SHOULD NOT BE USED TO OPERATE THE CRANE.  
The individual crane's load chart, operating instructions and other instructional plates must be read and understood prior to operating the crane

# Working range

Hydraulic offsettable swingaway

**9,6 m - 48 m (31.3 ft - 157.5 ft) main boom with 8,7 m - 15 m (28.5 ft - 49.2 ft) swingaway**



Tip heights shown in the working range diagram do not consider loaded boom deflection.

*THIS CHART IS ONLY A GUIDE AND SHOULD NOT BE USED TO OPERATE THE CRANE.  
The individual crane's load chart, operating instructions and other instructional plates must be read and understood prior to operating the crane.*

# Load charts

## Hydraulic offsettable swingaway



9,6 m – 48,0 m  
(31.3 ft – 157.5 ft)



8,7 m  
(28.5 ft)



13,500 kg  
(29,760 lb)



6,8 m x 6,2 m  
(22.4 ft x 20.4 ft)  
100%



360°



Pounds x 1000

Feet	121.1 ft 28.5 ft			132.7-138.1 ft 28.5 ft			157.5 ft 28.5 ft		
	0°	20°	40°	0°	20°	40°	0°	20°	40°
30	15.4								
35	15.2			12.4					
40	14.6	10.8		12.2	10.6		8.4		
45	13.6	10.4	8.2	11.4	10.2		8.4		
50	12.4	10.0	8.2	10.6	9.8	8.0	8.4	7.2	
55	11.4	9.6	8.0	9.8	9.4	8.0	8.2	7.2	7.2
60	10.4	9.2	7.8	9.2	8.8	7.8	7.6	7.2	7.2
65	9.6	9.0	7.6	8.4	8.2	7.6	7.2	7.0	7.0
70	8.8	8.6	7.6	7.8	7.6	7.4	6.8	6.6	6.4
75	7.8	7.8	7.4	7.4	7.0	7.0	6.2	6.2	6.0
80	6.8	6.8	7.4	6.4	6.4	6.6	5.8	5.8	5.6
85	6.0	6.0	6.4	5.6	5.6	6.2	5.4	5.4	5.4
90	5.2	5.2	5.6	5.0	5.0	5.4	5	5.0	5.0
95	4.6	4.6	5.0	4.4	4.4	4.6	4.4	4.4	4.8
100	4.0	4.0	4.4	4.0	4.0	4.0	4	4.0	4.4
105	3.4	3.4	3.8	3.8	3.8	3.8	3.4	3.4	3.8
110	3.2	3.2	3.2	3.4	3.4	3.4	3	3.0	3.2
115	3.0	3.0	2.6	3.2	3.2	3.2	2.4	2.4	2.8
120	2.6	2.6		3.0	3.0	3.0	2.2	2.2	2.4
125	2.6	2.6		2.8	2.8	2.8	1.8	1.8	2.0
130	2.4	2.4		2.4	2.4		1.4	1.4	1.6
135	2.2			2.0	2.0				1.4
140	2.0			1.6	1.6				
145				1.4					

THIS CHART IS ONLY A GUIDE AND SHOULD NOT BE USED TO OPERATE THE CRANE.  
The individual crane's load chart, operating instructions and other instructional plates must be read and understood prior to operating the crane.

# Load charts

## Hydraulic offsettable swingaway



9,6 m – 48,0 m  
(31.3 ft – 157.5 ft)



15 m  
(49.2 ft)



13,500 kg  
(29,760 lb)



6,8 m x 6,2 m  
(22.4 ft x 20.4 ft)  
100%



360°



Pounds x 1000

Feet	121.1 ft 49.2 ft			132.7 - 138.1 ft 49.2 ft			157.5 ft 49.2 ft		
	0°	20°	40°	0°	20°	40°	0°	20°	40°
35	7.8								
40	7.8			6.6					
45	7.8			6.6			5.4		
50	7.6	5.6		6.6			5.4		
55	7.4	5.2		6.6	5.2		5.4		
60	7.2	5.0	4.0	6.4	5.2		5.4		
65	6.8	5.0	4.0	6.4	5.0		5.2		
70	6.4	4.8	4.0	6.2	4.8	4.0	5.2	4.6	
75	6.2	4.6	3.8	6.2	4.6	3.8	5.2	4.6	3.8
80	5.8	4.4	3.8	6.0	4.6	3.8	5.2	4.4	3.8
85	5.6	4.4	3.8	5.6	4.4	3.8	4.8	4.4	3.6
90	5.4	4.2	3.6	5.2	4.2	3.6	4.6	4.2	3.6
95	5.0	4.2	3.6	4.6	4.2	3.6	4.2	4.2	3.6
100	4.4	4.0	3.6	4.0	4.0	3.6	4.0	4.0	3.6
105	3.8	3.8	3.6	3.6	3.6	3.6	3.6	3.6	3.6
110	3.4	3.4	3.6	3.2	3.2	3.6	3.2	3.2	3.4
115	3.0	3.0	3.6	3.0	3.0	3.2	2.8	2.8	3.2
120	2.6	2.6	3.0	2.8	2.8	2.8	2.4	2.4	3.0
125	2.2	2.2	2.6	2.6	2.6	2.6	2.0	2.0	2.6
130	2.2	2.2	2.2	2.4	2.4	2.4	1.6	1.6	2.2
135	2.0	2.0	1.8	2.2	2.2	2.2	1.4	1.4	1.8
140	1.8	1.8		2.0	2.0	2.0			1.6
145	1.6	1.6			1.8	2.0			
150	1.6	1.6			1.4				
155	1.4								
160	1.2								

### The lifting capacities correspond to ASME B30.5

The lifting capacities likewise fulfill the requirements of SAEJ1289 and ISO 4305 with regard to stability.

The lifting capacities are given in 1000 lb.

Lifting capacity = Payload + weight of hook block and suspending device.

The lifting capacities for the main boom only apply with the jib dismantled.

Lifting capacities > 54.4 t (120,000 lb) require optional equipment

Lifting capacities > 59 t (130,000 lb) require special equipment

The right is reserved to modify the load-carrying capacities.

**Note: The details in this brochure serve only as general information. The determinant values for the operation of the crane are the lifting capacity tables belonging to it and the operating instructions.**

**Lifting capacities are indicated by boom length for different levels of extension. The actual boom length will be in accordance with the selected configuration for boom extension.**

*THIS CHART IS ONLY A GUIDE AND SHOULD NOT BE USED TO OPERATE THE CRANE.*

*The individual crane's load chart, operating instructions and other instructional plates must be read and understood prior to operating the crane.*

# Specifications

## Superstructure



### Boom

9,6 m to 48,0 m (31.3 ft - 157.5 ft) seven section TWIN-LOCK™ boom. Maximum tip height 51 m (167.3 ft).



### Boom elevation

1 cylinder with safety valve, boom angle from -2,7° to +82°.



### Load moment & independent anti-two block system

Load moment and independent anti-two block system with audio visual warning and control lever lock-out. These systems provide graphic display of boom angle, length, radius, tip height, relative load moment, maximum permissible load, load indication and warning of impending two-block condition with lock-out hoist function.



### Cab

Aluminium, tilting (approx. 20°), full vision, safety glass, adjustable operator's seat with suspension, engine-independent heater. Armrest-integrated crane controls. Ergonomically arranged instrumentation and crane operating controls. Drive/steer controls.



### Slewing

Axial piston fixed displacement motor, planetary gear, service brake and holding brake.



### Counterweight

13.5t (29,760 lb) consisting of various sections. Hydraulic removal system from crane cab.



### Hydraulic system

2 separate pump circuits operating in an open circuit with 1 axial piston variable displacement pump (load sensing) and 1 geared constant delivery pump for slewing. Thermostatically controlled oil cooler. Tank capacity: 600 l (159 gal).



### Control system

Full electronic control of all crane movements using electrical control levers with automatic reset to zero. Integrated with the LMI and engine management system by CAN-BUS. Crane Control System (CCS) with graphic display.



### Hoist

Axial piston motor with planetary gear and brake. Drum rotation indicator.

### \* Optional equipment

- Bi-fold swingaway, 8,7 m-15 m (28.5 ft - 49.2 ft) with hydraulically offset and luffing under load (0°-40°), controlled from the cab.
- Bi-fold swingaway, 8,7 m-15 m (28.5 ft - 49.2 ft) (manual offset 0°, 20°, 40°).
- Auxiliary hoist
- Auxiliary boom nose
- Automatic centralized lubrication for superstructure
- Boom position indicator light- flashing or constant
- Windspeed indicator
- Turntable pin lock
- Two additional strobe lights- carrier and superstructure mounted
- Retractable cab footwalk
- Turntable mounted tool box
- Heavy lift jib options

## Carrier



### Chassis

Special 3-axle chassis, all-welded torsion-resistant box type construction in high strength steel.



### Outriggers

4 hydraulically telescoping beams with vertical cylinders and outrigger pads. Independent horizontal and vertical movement control on each side of carrier and from the crane operator's cab. Electronic level indicator with automatic levelling system. Includes outrigger monitoring system.



### Engine

Cummins QSL9 - C 350, diesel, 6-cylinder in-line, water cooled turbocharged and intercooled, 254 kW (340 HP) at 2100 rpm, max torque 1526 Nm (1126 ft lb) at 1400 rpm. Fuel tank capacity: 400 l (106 gal). Engine emission: Euromot Stage 5 / EPA / CARB Tier 4 Final (non road).



### Transmission

ZF Traxon automatic, 12 forward and 2 reverse speeds. Single speed transfer case with inter-axle differential lock.



### Drive/Steer

6 x 4 x 6.



### Axle lines

3 axle lines. Axle lines 1, 2 and 3 steered, 2 and 3 driven.



### Suspension

MEGATRAK™. All wheels with independent hydropneumatic suspension and hydraulic lockout. Longitudinal and transverse level control with automatic on-highway levelling system. Range +170 mm/-130 mm (+6.7 in / -5.1 in).



### Tires

6 tires, 385/95 R25 (14.00 R25).



### Steering

Dual circuit, Servocom power steering with emergency steering pump. Separate steering of the 3rd axle line for all-wheel steering and crabbing.



### Brakes

Service brake: pneumatic dual circuit, acting on all wheels, air dryer. Anti-lock braking system (ABS). Permanent brake: exhaust brake and constant throttle brake. Parking brake: pneumatically operated spring-loaded brake, acting on 1st and 3rd axle lines.



### Cab

Aluminium, 2-man-design, safety glass, driver seat with pneumatic suspension, engine-dependent hot water heater. Complete instrumentation and driving controls. 60° tilt forward for engine access. Additional engine independent diesel cab heater, also serves as engine preheater incl. 24h timer



### Electrical system

Three-phase alternator 28 V/100A, 2 batteries 12 V/170 Ah. Lighting system and signals 24 V.

### \* Optional equipment

- MAXbase variable outrigger positioning
- 6 x 6 x 6
- Electric driveline retarder
- 6 tires, 445/95 R25 (16.00 R25) - Vehicle width 2,75 m
- 6 tires, 525/80 R25 (20.5 R25) - Vehicle width 2,85 m
- Reversing camera system
- Spare tire and wheel with carry bracket
- Trailer hitch
- Air conditioning- combined system for both carrier and superstructure

# Symbols glossary



Axles



Counterweight



Grade



Gear



Boom



Drive



Heavy duty jib



Radius



Boom elevation



Electrical system



Hoist



Rotation



Boom extension



Engine



Hookblock



Speed



Boom length



Extension



Hydraulic system



Steering



Boom nose



Frame



Lights



Suspension



Brakes



Fuel tank capacity



Oil



Swing



Cab



Outriggers



Outrigger controls



Tires



Transmission



## Manitowoc Cranes

### Regional headquarters

#### Americas

Milwaukee, Wisconsin, USA  
Tel: +1 414 760 4600

Shady Grove, Pennsylvania, USA  
Tel: +1 717 597 8121

#### Europe and Africa

Dardilly, France - TOWERS  
Tel: +33 (0) 4 72 18 20 20

Wilhelmshaven, Germany - MOBILE  
Tel: +49 (0) 4421 294 0

#### APAC

Shanghai, China  
Tel: +86 21 6457 0066

Singapore  
Tel: +65 6264 1188

#### Middle East and India

Dubai, UAE  
Tel: +971 4 8862677



This document is non-contractual. Constant improvement and engineering progress make it necessary that we reserve the right to make specification, equipment, and price changes without notice. Illustrations shown may include optional equipment and accessories and may not include all standard equipment.