

Manitowoc[®]

MLC200

Product Guide

ASME B30.5 Imperial



220 USt
(200 t)



80 ft
(24,4 m)



170 ft
(51,8 m)



292 ft
(89 m)

MANITOWOC MLC200

FEATURES

The Manitowoc MLC200 builds on the long term success of the 14000 and the recent redesign of the MLC250. The machine shares a great deal of content with the MLC250 while utilizing a lowerworks and counterweight sized for the 200 t class as well as a boom and attachments structurally common with the 14000. The MLC200 also utilizes the Manitowoc Crane Control System (CCS), open loop hydraulics and improved service access.



Efficient Self-Assembly

The gantry-raised counterweight reduces components and maintenance. Button style wire rope terminations for easy reeving. Steel straps for assembly and storage of boom suspension. FACT connectors on boom allow for quick boom assembly without the need to install top boom connector pins.

Superior Serviceability

The CCS (Crane Control System) provides individual function hour tracking for timing maintenance intervals and provides on board diagnostics to easily troubleshoot machines without specialized equipment.



Comfortable Cab Design

A newly designed console provides 10% more legroom while the left side console rotates for improved egress. A 6-way electric seat riser/slider with headrest and storage shelving in the rear of the cab enhance operator comfort. Tilt cab and Vision cab are available.



Search by options

Search by Chart ID

Please make your selection from the options below

Choose a model

Choose a configur...

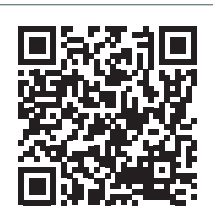
- Any -

SEARCH

Lattice Boom Crane Library

Technical documents and diagrams for all Maniowoc lattice boom crawler cranes are available online.

Visit manitowoc.com/support/lattice-boom-crawler-library or scan the QR code



Versatile Performance

- 80 ft (24.4 m) No. 134 Fixed Jib available, common with other Maniowoc Cranes
- 170 ft (51,8m) No.135 Luffing Jib available, common with other Maniowoc Cranes
- Cummins QSL9 Tier 4F/Stage V engine, rated at 340 hp (253 kW) @ 2200 RPM
- Free Fall hoists available for drums 1 and 2
- 26 mm rotation-resistant rope, standard
- 31,500 lb (14,290 kg) rated linepull on drums 1 and 2



The world's most advanced crane service and support network

WORLDWIDE SUPPORT NETWORK

Manitowoc's customer service extends beyond any borders. Our locations span the globe, covering five continents. No matter where the job takes you, you have a business partner nearby.



PARTS

Locating the correct part quickly is vital to managing your operations. With Manitowoc Customer Support, the parts you need are just a phone call or click away.

LIFT SOLUTIONS

The Manitowoc Crane Lift Solutions Team is dedicated to helping customers with unique and customized applications for their Manitowoc cranes, regardless of product line.

TRAINING

Manitowoc Training Centers offer courses for operators and technicians across the globe to provide in-depth instruction on crane operation, maintenance, and troubleshooting procedures.

EnCORE

Manitowoc's EnCORE program maximizes your investment by rebuilding or repairing your crane to extend its life significantly. EnCORE also includes remanufactured parts.



MANITOWOC FINANCE

Manitowoc Finance gets you in the field with the right equipment by giving you access to flexible, affordable financing. With Manitowoc Finance, equipment can be acquired with virtually no cash outlay, and unlike traditional lending, our financial products don't affect bank lines of credit. Your capital resources remain intact for times when you need ready access to cash.

Competitive rates with flexible financing options and payment schedules put you in control.

Did you know? Manitowoc Finance can finance **used** Manitowoc cranes. You can also **trade-in** your used fleet for upgrade and get financed by Manitowoc Finance.





CONTENTS

8

Dimensions

10

Transportation Data

11

Shipping Dimensions

12

Performance Data

14

Boom Combinations

16

Main Boom - Load Chart

17

Fixed Jib - Load Chart

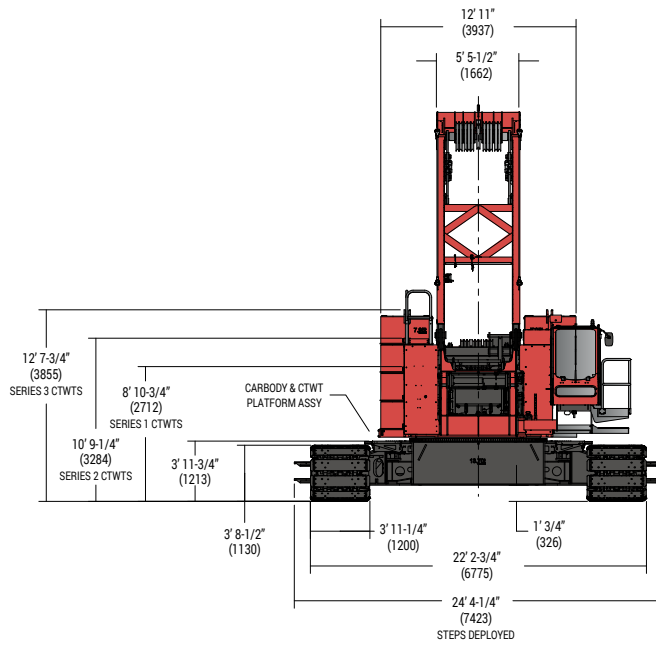
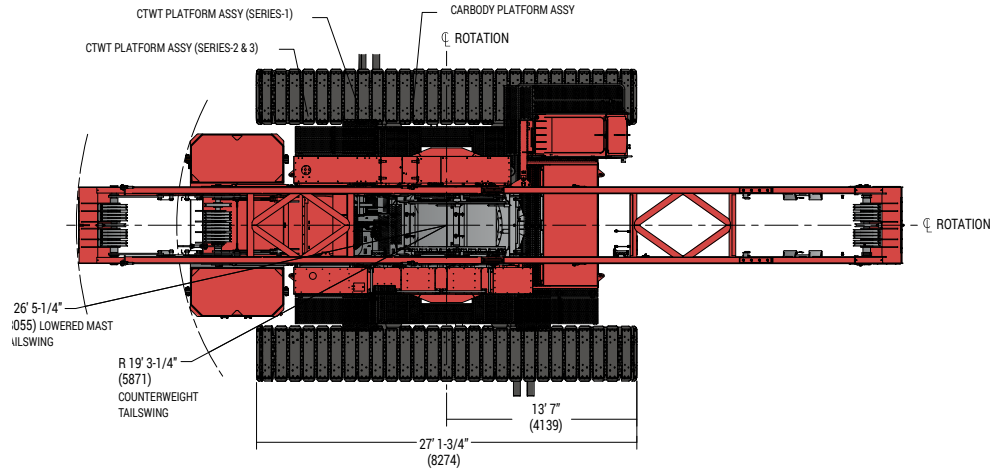
19

Luffing Jib - Load Chart

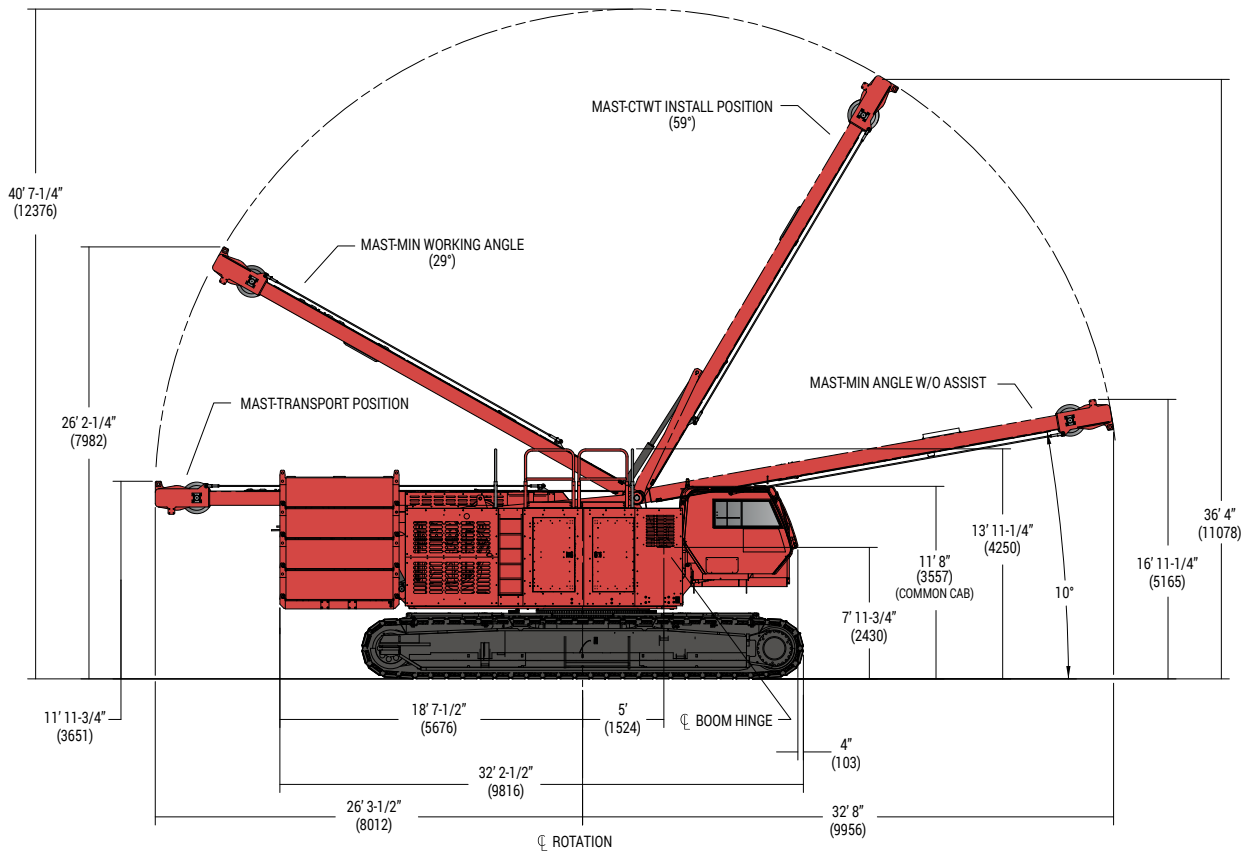
20

Specifications

DIMENSIONS



DIMENSIONS



TRANSPORTATION DATA

Load summary													
Item	173.9 ft B10:76A Boom With 60 ft No. 134 Fixed Jib												
	Qty	lb	1	2	3	4	5	6	7	8	9	10	11
MLC200 Basic crane	1	90,500	1										
Crawler assembly	2	39,100		1	1								
Counterweight tray	1	21,100				1							
Upper center counterweight	1	23,500					1						
Upper sidecounterweight	8	17,500						2	2			2	2
Carbody counterweight	2	30,200								1	1		
18.5' (5,5 m) No. 76A Boom butt	1	11,100									1		
18.5' (5,5 m) No. 76A Boom insert	1	3,100						1					
29.7' (9,0 m) No. 76A Boom top	1	11,500								1			
10' (3,0 m) No. 76 Boom insert	1	1,700						1					
19.7' (6,0 m) No. 76 Boom insert	1	2,700							1				
39.5' (12,0 m) No. 76 Boom Insert	2	4,800										1	1
30' (9,2 m) No. 134 Jib & strut	1	2,620				1							
10' (3,0 m) No. 134 Jib insert	1	480					1						
20' (6,1 m) No. 134 Jib Insert	1	750					1						
165 ton (150 mton) Hook block	1	4,850							1				
45 ton (41 mton) Self-assembly block	1	2,650		1									
15 ton (13,6 mton) Weight ball	1	1,310					1						
Detachable Upper Boom Point	1	700				1							
Miscellaneous	2	4,000				1	1						
Load weight per trailer (lb)			90,500	41,750	39,100	28,420	30,040	39,800	42,550	41,700	41,300	39,800	39,800

SHIPPING DIMENSIONS

Component	Weight (lb)	Length (ft)	Width (ft)	Height (ft)
Rotating Bed w/ Carbody	90,500	39.0	9.9	10.9
Crawler (each)	39,100	27.3	4.8	3.7
Counterweight Tray	21,100	13.4	7.3	1.1
Upper Center Counterweight	23,500	7.5	4.2	5.7
Upper Side Counterweight	17,500	7.3	3.7	2.3
Carbody Counterweight	30,200	11.2	7.0	3.1

5,5 m (18 ft) No. 76A Boom Butt	11,100	23.9	8.2	7.9
5,5 m (18 ft) No. 76A Boom Insert	3,100	18.6	8.3	8.4
9,0 m (29.5 ft) No. 76A Boom Top	11,500	31.4	8.3	10.8
3,0 m (9.8 ft) No. 76 Boom Insert	1,700	10.4	8.3	8.4
6,0 m (19.7 ft) No. 76 Boom Insert	2,700	20.2	8.3	8.4
12,0 m (39.4 ft) No. 76 Boom Insert	4,800	39.9	8.0	8.4

9.2 m (30 ft) No. 134 Basic Fixed Jib	2,620	32.5	7.7	4.4
3,0 m (10 ft) No. 134 Jib Insert	480	10.2	2.5	2.9
6,1 m (20 ft) No. 134 Jib Insert	750	20.2	2.5	2.9

*loose ship suspension pendants not included in weights

8.2 m (27 ft) No. 135 Luffing Jib Butt and Struts	11,200	28.9	5.2	9.6
7.0 m (23 ft) No. 135 Luffing Jib Top	3,700	25.6	5.0	6.6
3,0 m (10 ft) No. 135 Luffing Jib Insert	600	10.3	5.0	4.3
6,1 m (20 ft) No. 135 Luffing Jib Insert	1,000	20.3	5.0	4.3
12,2 m (40 ft) No. 135 Luffing Jib Insert	1,800	40.3	5.0	4.3

*loose ship suspension pendants not included in weights

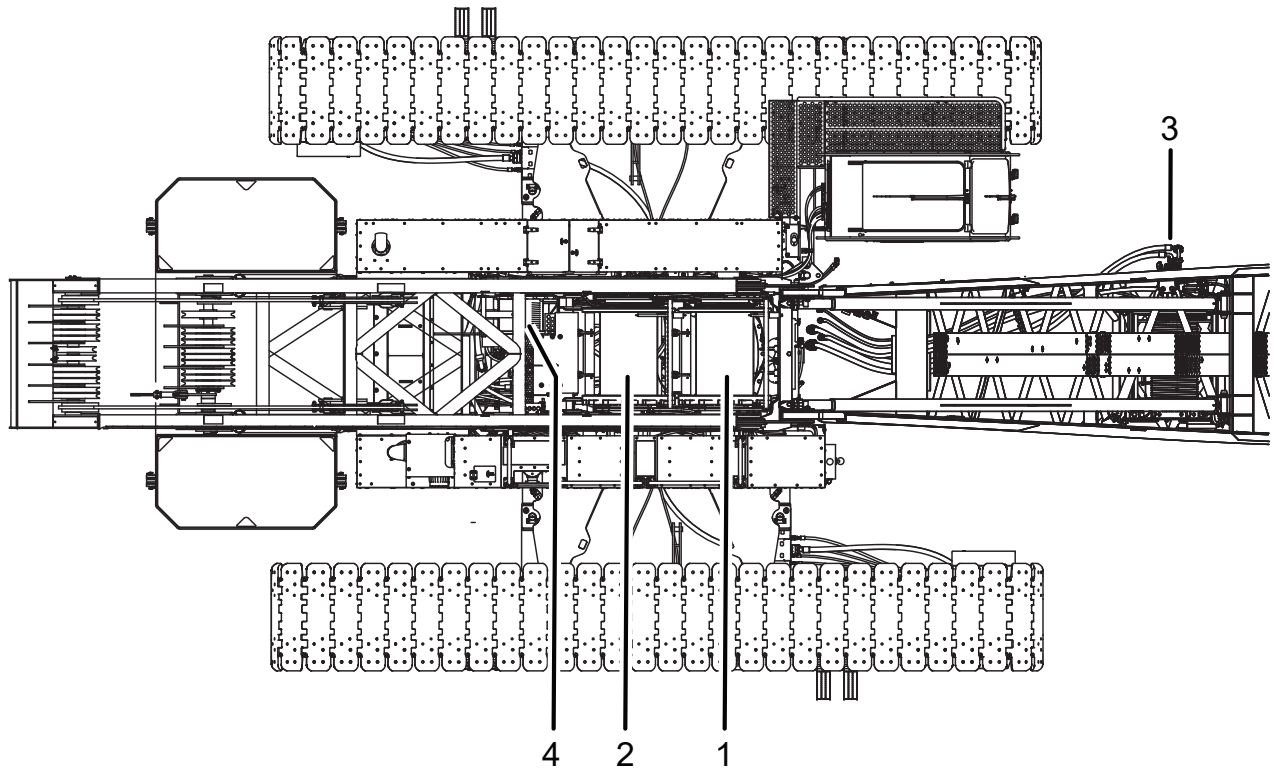
PERFORMANCE DATA

Front and Rear Drum Linespeed					
Single linepull (lb)	Single Line Speed (ft/min)				
	Layer				
	1	2	3	4	5
0	300	323	347	370	394
5000	291	314	336	357	379
10000	283	304	324	345	365
15000	274	284	286	287	289
20000	217	219	220	222	224
25000	178	179	181	183	184
31500	145	147	149	150	152

Third Drum Linespeed					
Single linepull (lb)	Single Line Speed (ft/min)				
	Layer				
	1	2	3	4	5
0	453	497	541	585	629
5000	434	474	514	553	592
8000	422	460	497	534	542
11000	394	397	400	403	406
14000	316	319	322	325	328
17000	266	269	272	275	278
20000	231	234	237	240	243

Front and Rear Drum Hoist Reeving	
Parts of line	Max load (lb)
1	31,500
2	63,000
3	94,500
4	126,000
5	157,500
6	189,000
7	220,500
8	252,000
9	283,500
10	315,000
11	346,500
12	378,000
13	409,500
14	441,000

PERFORMANCE DATA



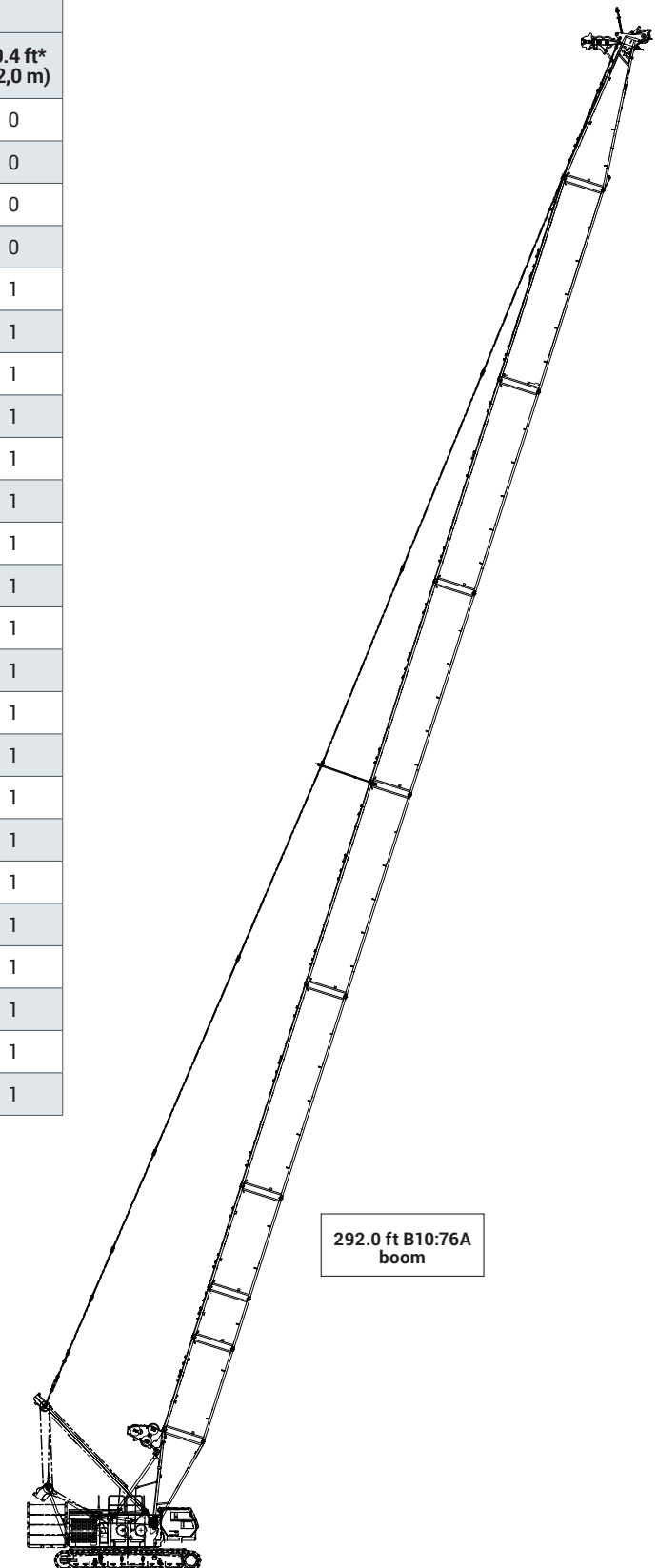
Drum Identification		
Drum	Application and Drum Function	
	Boom / Boom + Fixed Jib	Boom + Luffing Jib
1	Whip Hoist	Main Hoist
2	Main Hoist	Luffing Hoist
3*	Aux Hoist	Aux Hoist
4	Boom Hoist	Boom Hoist

* Optional

BOOM COMBINATIONS

B10:76A boom combinations						
Boom length		Boom inserts				
ft	m	18 ft (5,5 m)	9.8 ft (3,0 m)	19.7 ft (6,0 m)	39.4 ft (12,0 m)	39.4 ft* (12,0 m)
65.6	20	1	0	0	0	0
75.5	23	1	1	0	0	0
85.3	26	1	0	1	0	0
95.1	29	1	1	1	0	0
105.0	32	1	0	0	0	1
114.8	35	1	1	0	0	1
124.7	38	1	0	1	0	1
134.5	41	1	1	1	0	1
144.4	44	1	0	0	1	1
154.2	47	1	1	0	1	1
164.0	50	1	0	1	1	1
173.9	53	1	1	1	1	1
183.7	56	1	0	0	2	1
193.6	59	1	1	0	2	1
203.4	62	1	0	1	2	1
213.3	65	1	1	1	2	1
223.1	68	1	0	0	3	1
232.9	71	1	1	0	3	1
242.8	74	1	0	1	3	1
252.6	77	1	1	1	3	1
262.5	80	1	0	0	4	1
272.3	83	1	1	0	4	1
282.2	86	1	0	1	4	1
292.0	89	1	1	1	4	1

* w/ fixed jib backstay lug



292.0 ft B10:76A boom

BOOM COMBINATIONS

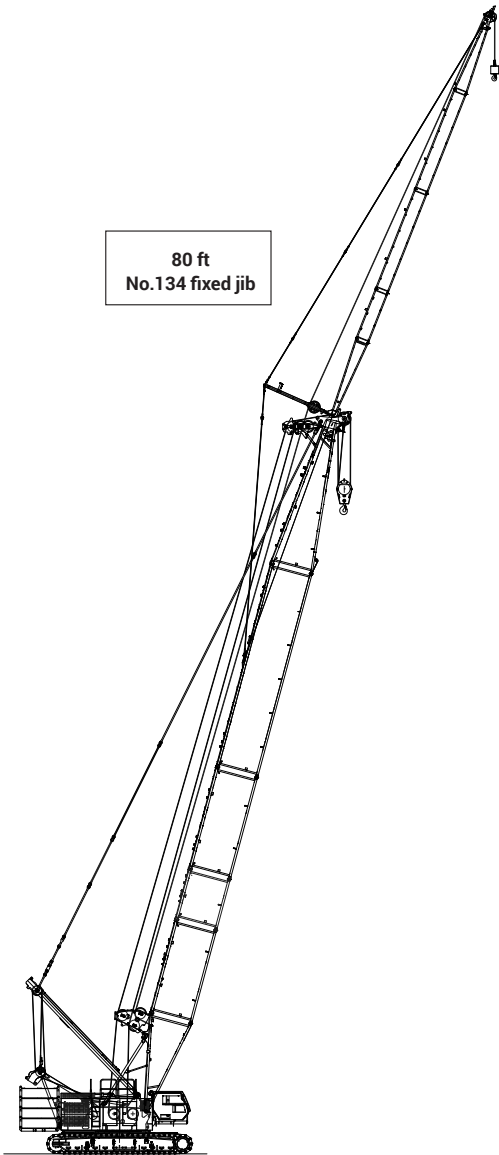
No. 134 fixed jib combinations

Jib length		Fixed jib inserts	
ft	m	10 ft (3,0 m)	20 ft (6,1 m)
30	9,1	0	0
40	12,2	1	0
50	15,2	0	1
60	18,3	1	1
70	21,3	0	2
80	24,4	1	2

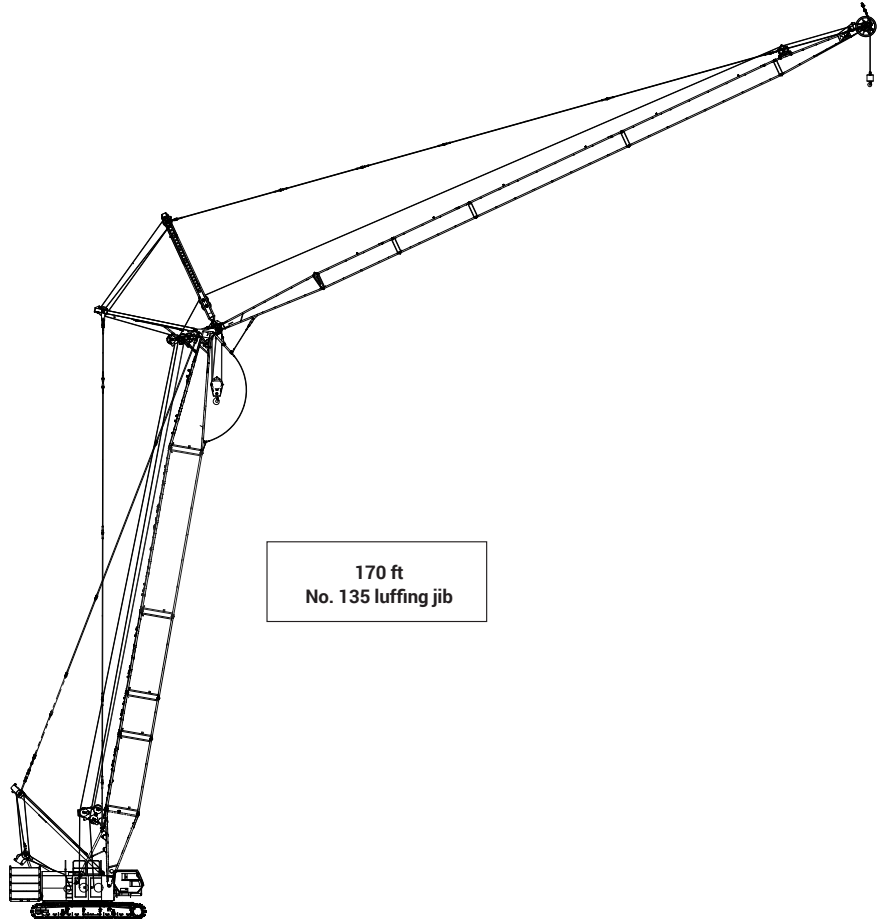
LJ10:135 luffing jib combinations

Jib length		Luffing jib inserts		
ft	m	10 ft (3,1 m)	20 ft (6,1 m)	40 ft (6,1 m)
70	21,3	0	1	0
80	24,4	1	1	0
90	27,4	0	0	1
100	30,5	1	0	1
110	33,5	0	1	1
120	36,6	1	1	1
130	39,6	0	0	2
140	42,7	1	0	2
150	45,7	0	1	2
160	48,8	1	1	2
170	51,8	0	0	3

80 ft
No.134 fixed jib



170 ft
No. 135 luffing jib



MAIN BOOM - LOAD CHART

B10:76A Boom

184,600 lb upper counterweight + 60,400 lb lower counterweight

360° Radius (ft)	lb x 1000												
	Boom length (ft)												
	65.6	75.5	95.1	114.8	134.5	154.2	173.9	193.6	213.3	232.9	252.6	272.3	292.0
14	441.0	-	-	-	-	-	-	-	-	-	-	-	-
16	386.2	-	-	-	-	-	-	-	-	-	-	-	-
18	346.2	345.8	-	-	-	-	-	-	-	-	-	-	-
20	313.4	313.1	312.4	-	-	-	-	-	-	-	-	-	-
22	286.2	285.8	285.1	284.6	-	-	-	-	-	-	-	-	-
24	263.1	262.8	262.1	261.6	260.7	-	-	-	-	-	-	-	-
26	243.4	243.0	242.4	241.8	241.0	225.3	-	-	-	-	-	-	-
28	226.3	225.9	225.3	224.8	223.9	218.9	199.1	-	-	-	-	-	-
30	211.3	211.0	210.4	209.8	209.0	208.3	194.1	-	-	-	-	-	-
32	198.0	197.8	197.2	196.7	195.8	195.1	189.3	165.6	-	-	-	-	-
34	186.4	186.1	185.5	185.0	184.1	183.4	182.5	161.9	133.4	-	-	-	-
36	175.9	175.6	175.0	174.5	173.6	173.0	172.0	158.3	132.0	121.6	-	-	-
38	166.4	166.1	165.6	165.1	164.2	163.6	162.6	154.8	130.6	121.0	100.3	-	-
40	157.2	157.3	157.1	156.6	155.7	155.0	154.1	151.4	129.3	120.4	99.8	84.6	-
42	146.7	146.8	146.8	146.8	146.4	146.0	145.5	145.0	128.1	119.9	99.2	84.2	71.4
44	137.5	137.6	137.6	137.5	137.1	136.7	136.2	135.7	126.7	119.3	98.7	83.7	71.0
46	129.2	129.3	129.3	129.2	128.8	128.4	127.8	127.3	125.5	118.7	98.2	83.3	70.6
48	121.8	121.9	121.9	121.8	121.3	120.9	120.4	119.9	119.3	118.2	97.7	82.9	70.2
50	115.2	115.2	115.2	115.1	114.6	114.2	113.6	113.1	112.5	112.5	97.2	82.6	69.9
60	89.6	89.8	89.7	89.6	89.1	88.6	88.0	87.4	86.7	86.7	86.0	80.4	68.0
70	-	72.6	72.6	72.5	71.9	71.5	70.8	70.2	69.5	69.4	68.7	67.9	66.3
80	-	-	60.3	60.2	59.7	59.2	58.5	57.9	57.1	57.0	56.2	55.5	54.7
90	-	-	51.0	50.9	50.4	49.9	49.2	48.6	47.8	47.7	46.9	46.2	45.4
100	-	-	-	43.7	43.2	42.7	42.0	41.4	40.6	40.4	39.6	38.9	38.1
110	-	-	-	37.8	37.4	36.9	36.2	35.6	34.8	34.6	33.8	33.0	32.2
120	-	-	-	-	32.6	32.2	31.4	30.8	30.0	29.8	29.0	28.3	27.4
130	-	-	-	-	28.5	28.2	27.5	26.8	26.0	25.9	25.0	24.3	23.4
140	-	-	-	-	-	24.8	24.1	23.5	22.7	22.5	21.6	20.9	20.0
150	-	-	-	-	-	21.8	21.2	20.6	19.8	19.6	18.7	18.0	17.1
160	-	-	-	-	-	-	18.6	18.0	17.2	17.1	16.2	15.5	14.6
170	-	-	-	-	-	-	16.3	15.8	15.0	14.8	14.0	13.2	12.4
180	-	-	-	-	-	-	-	13.8	13.1	12.9	12.0	11.3	10.4
190	-	-	-	-	-	-	-	12.0	11.3	11.1	10.3	9.6	8.7
200	-	-	-	-	-	-	-	-	9.7	9.6	8.7	8.0	7.1
210	-	-	-	-	-	-	-	-	8.2	8.1	7.3	6.6	5.7
220	-	-	-	-	-	-	-	-	-	6.8	6.0	5.3	4.4
230	-	-	-	-	-	-	-	-	-	5.6	4.8	4.1	-
235	-	-	-	-	-	-	-	-	-	-	4.3	-	-

For complete chart, refer to www.cranelibrary.com.

THIS CHART IS ONLY A GUIDE AND SHOULD NOT BE USED TO OPERATE THE CRANE.

The individual crane's load chart, operating instructions and other instructional plates must be read and understood prior to operating the crane

FIXED JIB - LOAD CHART

No. 134 Fixed Jib on B10:76A Boom Series 3

184,600 lb upper counterweight + 60,400 lb lower counterweight

360°	lb x 1000				
30 ft Jib at 5° Offset					
Radius (ft)	Boom length (ft)				
	105.0	144.4	183.7	223.1	262.5
29	63.0	-	-	-	-
35	63.0	63.0	-	-	-
40	63.0	63.0	-	-	-
45	62.2	63.0	63.0	-	-
50	60.9	62.3	62.1	60.5	-
55	59.6	61.3	61.2	59.8	57.2
60	58.5	60.2	60.5	59.2	56.7
65	57.4	59.3	59.6	58.5	56.1
70	56.4	58.4	58.9	57.8	55.6
75	55.4	57.5	58.2	57.2	55.1
80	54.6	56.7	57.5	56.6	54.6
85	53.8	55.2	53.6	51.9	50.9
90	52.5	50.9	49.3	47.5	46.5
95	48.6	47.1	45.5	43.7	42.6
100	45.2	43.7	42.0	40.2	39.2
110	39.4	37.9	36.2	34.4	33.3
120	34.6	33.1	31.5	29.6	28.5
130	30.6	29.1	27.5	25.6	24.5
140	-	25.7	24.1	22.3	21.1
150	-	22.8	21.2	19.3	18.2
160	-	20.3	18.7	16.8	15.7
170	-	-	16.4	14.6	13.4
180	-	-	14.5	12.7	11.5
190	-	-	12.7	10.9	9.7
200	-	-	11.1	9.3	8.2
210	-	-	-	7.9	6.8
220	-	-	-	6.6	5.5
230	-	-	-	5.4	4.3
240	-	-	-	4.4	-

360°	lb x 1000				
40 ft Jib at 5° Offset					
Radius (ft)	Boom length (ft)				
	105.0	144.4	183.7	223.1	262.5
32	54.8	-	-	-	-
35	53.9	-	-	-	-
40	52.7	53.3	-	-	-
45	51.4	52.3	51.9	-	-
50	50.2	51.3	51.2	-	-
55	49.1	50.4	50.4	49.4	-
60	48.1	49.6	49.7	48.8	46.9
65	47.2	48.8	49.1	48.2	46.4
70	46.2	48.0	48.4	47.7	46.0
75	45.3	47.2	47.8	47.2	45.6
80	44.6	46.5	47.2	46.7	45.2
85	43.9	45.8	46.6	46.2	44.7
90	43.2	45.2	46.0	45.7	44.3
95	42.5	44.6	45.5	44.3	43.2
100	40.7	44.0	42.7	40.9	39.8
110	37.1	38.5	36.8	35.0	33.9
120	34.2	33.7	32.0	30.2	29.1
130	31.3	29.7	28.0	26.2	25.0
140	27.8	26.3	24.6	22.8	21.6
150	-	23.4	21.7	19.9	18.7
160	-	20.8	19.2	17.3	16.1
170	-	18.6	16.9	15.1	13.9
180	-	-	15.0	13.1	11.9
190	-	-	13.2	11.4	10.2
200	-	-	11.6	9.8	8.6
210	-	-	10.2	8.4	7.2
220	-	-	-	7.1	5.9
230	-	-	-	5.9	4.7
240	-	-	-	4.8	-
245	-	-	-	4.3	-

For complete chart, refer to www.cranelibrary.com.

THIS CHART IS ONLY A GUIDE AND SHOULD NOT BE USED TO OPERATE THE CRANE.

The individual crane's load chart, operating instructions and other instructional plates must be read and understood prior to operating the crane

FIXED JIB - LOAD CHART

No. 134 Fixed Jib on B10:76A Boom Series 3

184,600 lb upper counterweight + 60,400 lb lower counterweight

360°	lb x 1000				
50 ft Jib at 5° Offset					
Radius (ft)	Boom length (ft)				
	105.0	144.4	183.7	223.1	252.6
36	38.9	-	-	-	-
40	38.2	-	-	-	-
45	37.3	37.7	-	-	-
50	36.4	37.0	36.7	-	-
55	35.4	36.3	36.2	35.5	-
60	34.5	35.6	35.7	35.1	34.3
65	33.6	35.0	35.1	34.7	33.9
70	32.7	34.2	34.6	34.2	33.5
75	31.9	33.5	34.1	33.8	33.2
80	31.1	32.8	33.6	33.4	32.8
85	30.4	32.1	33.1	33.0	32.5
90	29.7	31.5	32.5	32.6	32.2
95	29.1	31.0	32.0	32.2	31.8
100	28.4	30.4	31.5	31.8	31.5
110	27.2	29.3	30.5	31.0	30.8
120	25.0	28.3	29.6	30.1	30.1
130	23.0	27.4	28.7	26.9	26.0
140	21.4	26.1	25.3	23.5	22.6
150	19.9	24.2	22.4	20.5	19.7
160	18.6	21.7	19.9	18.0	17.1
170	-	19.4	17.7	15.8	14.9
180	-	17.4	15.7	13.8	12.9
190	-	15.6	13.9	12.0	11.1
200	-	-	12.3	10.5	9.5
210	-	-	10.9	9.0	8.1
220	-	-	9.6	7.7	6.8
230	-	-	8.4	6.6	5.7
240	-	-	-	5.5	4.6
250	-	-	-	4.5	-

360°	lb x 1000				
60 ft Jib at 5° Offset					
Radius (ft)	Boom length (ft)				
	105.0	144.4	183.7	223.1	242.8
38	23.7	-	-	-	-
40	23.7	-	-	-	-
45	23.5	23.0	-	-	-
50	23.1	22.9	-	-	-
55	22.7	22.7	22.1	-	-
60	22.3	22.4	22.0	21.2	21.7
65	21.9	22.0	21.8	21.2	21.4
70	21.5	21.7	21.6	21.0	20.6
75	21.1	21.4	21.3	20.9	20.5
80	20.7	21.0	21.3	20.9	20.3
85	20.4	20.7	20.7	20.4	20.2
90	20.0	20.4	20.4	20.2	20.0
95	19.7	20.1	20.2	19.9	19.7
100	19.2	19.7	19.9	19.7	19.5
110	18.3	19.2	19.3	19.2	19.1
120	17.4	18.6	18.8	18.8	18.6
130	16.6	18.1	18.3	18.3	18.2
140	15.8	17.5	17.9	17.9	17.8
150	15.0	16.8	17.4	17.5	17.4
160	14.4	16.1	17.0	17.1	17.0
170	13.9	15.6	16.6	16.3	15.8
180	13.4	14.9	16.2	14.3	13.8
190	-	14.5	14.5	12.5	12.1
200	-	14.0	12.9	11.0	10.5
210	-	13.3	11.5	9.6	9.1
220	-	12.0	10.2	8.3	7.8
230	-	-	9.1	7.1	6.7
240	-	-	8.0	6.1	5.6
250	-	-	7.0	5.1	4.6
260	-	-	-	4.2	-

For complete chart, refer to www.cranelibrary.com.

THIS CHART IS ONLY A GUIDE AND SHOULD NOT BE USED TO OPERATE THE CRANE.

The individual crane's load chart, operating instructions and other instructional plates must be read and understood prior to operating the crane

LUFFING JIB - LOAD CHART

LJ10:135 Luffing Jib on B10:76A Boom Series 3

184,600 lb upper counterweight + 60,400 lb lower counterweight (Main Boom at 87° angle)

360°	lb x 1000				
70 ft Luffing Jib Length					
Radius (ft)	Boom length (ft)				
	65.6	95.1	124.7	154.2	193.6
29	118.1	-	-	-	-
30	118.1	-	-	-	-
35	114.6	110.4	101.3	91.4	-
40	108.4	108.6	101.3	91.3	78.6
45	103.0	103.4	101.3	91.2	78.1
50	98.3	98.7	96.7	85.4	73.1
55	94.2	94.7	89.8	79.5	68.5
60	87.7	91.2	83.7	74.3	64.3
65	78.4	82.1	78.1	69.5	60.5
70	70.7	74.2	73.1	65.2	56.9
75	61.3	67.6	68.6	61.3	53.7
80	45.4	53.8	59.8	57.7	50.7
85	-	-	-	45.0	47.9

360°	lb x 1000				
100 ft Luffing Jib Length					
Radius (ft)	Boom length (ft)				
	65.6	95.1	124.7	154.2	193.6
40	82.6	82.2	76.9	-	-
45	78.4	78.3	76.4	70.6	52.4
50	74.6	74.6	73.9	70.1	51.4
55	71.0	71.1	70.7	69.5	50.3
60	67.6	67.9	67.7	66.8	49.3
65	64.6	65.0	65.0	64.2	48.3
70	61.8	62.2	62.3	61.2	47.4
75	59.1	59.7	59.9	58.0	46.6
80	56.8	57.3	57.6	54.9	45.7
85	54.6	55.1	55.5	52.1	44.3
90	50.8	53.1	53.6	49.5	42.2
95	47.0	49.3	50.4	47.1	40.2
100	43.7	46.0	47.0	44.9	38.4
110	30.0	37.1	40.9	40.7	35.0

140 ft Luffing Jib Length					
Radius (ft)	Boom length (ft)				
	65.6	95.1	124.7	154.2	193.6
47	49.5	-	-	-	-
50	48.9	47.5	-	-	-
55	47.8	46.6	45.1	43.2	40.1
60	46.9	45.7	44.3	42.5	39.5
65	45.3	44.9	43.5	41.8	38.9
70	43.4	43.5	42.7	41.2	38.3
75	41.5	41.6	41.6	40.5	37.7
80	39.8	40.0	40.0	39.7	37.3
85	38.0	38.3	38.4	38.2	36.7
90	36.4	36.7	36.9	36.8	36.1
95	34.9	35.2	35.4	35.5	34.9
100	33.4	33.8	34.0	34.2	33.7
110	30.6	31.0	31.4	31.6	31.5
120	28.2	28.6	29.0	29.3	29.3
130	26.0	26.4	26.8	27.1	27.3
140	24.2	24.6	24.9	25.2	25.5
150	17.5	22.7	23.5	23.8	23.6

170 ft Luffing Jib Length					
Radius (ft)	Boom length (ft)				
	65.6	95.1	124.7	154.2	193.6
55	38.8	-	-	-	-
60	37.2	36.9	36.0	34.6	-
65	35.4	35.4	35.0	34.0	30.4
70	33.8	33.8	33.7	33.2	29.8
75	32.2	32.3	32.2	31.9	28.8
80	30.6	30.8	30.8	30.6	27.7
85	29.2	29.4	29.5	29.4	26.6
90	27.7	28.0	28.1	28.1	25.6
95	26.3	26.6	26.8	26.9	24.5
100	25.0	25.3	25.6	25.7	23.5
110	22.5	22.9	23.2	23.4	21.5
120	20.2	20.6	20.9	21.2	19.6
130	18.2	18.5	18.9	19.2	17.9
140	16.3	16.6	17.0	17.3	16.2
150	14.6	15.0	15.2	15.6	14.7
160	13.1	13.3	13.7	14.0	13.2
170	11.2	11.5	11.9	12.2	11.5
180	9.7	10.0	10.2	10.6	10.1

For complete chart, refer to www.cranelibrary.com.

THIS CHART IS ONLY A GUIDE AND SHOULD NOT BE USED TO OPERATE THE CRANE.

The individual crane's load chart, operating instructions and other instructional plates must be read and understood prior to operating the crane

SPECIFICATIONS

Upperworks



Engine

Cummins Model QSL9 Tier 4 Final (Stage V), 6 cylinder diesel, 340 hp (240 kW). High sulfur fuel compatible kit available in some regions on request.

Includes exhaust aftertreatment system (Tier 4 Final / Stage V) or muffler, air cleaner, 110 amp alternator, radiator and fan. Also includes 150 gallon (567 liter) capacity diesel fuel tank, and a 30 gallon (114 liter) capacity diesel exhaust fluid (DEF) tank.



Crane Control System (CCS)

The Crane Control System (CCS) offers a user-friendly interface, full graphic display mounted vertically for better visibility, a jog dial for easier data input and ergonomic joysticks. Block-up limit control is standard for hoist and whip lines. Travel and swing alarms are standard. RCL/RCI (Rated Capacity Limiter/Rated Capacity Indicator) system is standard.



Hydraulic System

Three high-pressure pumps are driven by the engine. Two pumps provide “open loop” hydraulic power enabling simultaneous multi-function capability. One pump provides independent “closed loop” hydraulic power for the swing system” with “Two pumps provide independent “closed loop” hydraulic power for the swing and boom hoist system An additional pump provides hydraulic power for the cooler fan and an additional pump is included with free fall.

Hydraulic reservoir capacity is 145 gallon (550 liter) and is equipped with breather, sight and electrical level indicator, clean out access, and internal diffuser. Replaceable, full flow tank filters are furnished in the hydraulic circuit. All oil is filtered prior to return to the hydraulic reservoir. Hydraulic system also includes hydraulic oil cooler.



Drums

Two 37 in (940 mm) width drums are driven by independent variable displacement axial piston hydraulic motors through planetary reduction. Drums are grooved for 26 mm rope and mounted in rotating bed. Powered hoisting/lowering operation is standard with automatic (spring applied, hydraulically released) multi-disc brakes, and drum rotation indicators.

- Optional: free-fall operation for front and/or rear drums.
- Optional: auxiliary (third) hydraulic powered drum mounted in boom butt. Drum is grooved for 26 mm rope. All hydraulic and electrical components to equip drum come along with the drum.



Boom Hoist

Independent boom hoist consists of a single drum grooved for 22 mm diameter wire rope. Includes 22 mm diameter wire rope for boom hoist reeving. Drum is powered by a fixed displacement hydraulic motor coupled to an internal brake and planetary gearbox equipped with ratchet and pawl.



Mast and Gantry

The 20 part boom hoist reeving is reeved between the 10 sheave gantry and 11 sheave 9,1 m (30 ft) long live mast with the dead end on the gantry. When used with rigging block sheaves in the live mast the machine is capable of installing crawlers, carbody counterweights, stacking the upperworks counterweights and assembling the boom and jib. The gantry is also utilized to lift the entire upperworks counterweight assembly into place.



Counterweight

The upperworks counterweight is attached to rotating bed with remote controlled hydraulically actuated pins. The upperworks counterweight consists of a one-piece tray, one center counterweight adapter, and eight upper counterweight boxes. Carbody counterweight boxes are attached to carbody.

- Series 1:** Upper counterweight (4 pieces+tray) - 114,600 lb (51 980 kg)
Series 2: Upper counterweight (68 pieces+tray) - 149,600 lb (67 860 kg)
Carbody counterweight (2 pieces) - 60,400 lb (27 400 kg)
Total counterweight - 210,000 lb (90 808 kg)
- Series 3:** Upper counterweight (8 pieces+tray) - 184,600 lb (83 730 kg)
Carbody counterweight (2 pieces) - 60,400 lb (27 400 kg)
Total counterweight - 245,000 lb (111 130 kg)



Swing System

Independent single swing drive mounted in rotating bed is powered by a hydraulic motor driving a spur gear through a planetary reduction with internal brake. Maximum swing speed: 1.8 rpm.



Operator's Cab

New wider cab provides 10% increased operator legroom. Fully enclosed and galvaneeled steel insulated module is equipped with sliding door, large safety glass windows on all sides and roof. Signal horn, cab space heater, front and roof windshield wipers, air conditioning, dome light, sun visor and shade, fire extinguisher and air circulating fan are standard.

- Optional: Vision cab, cab tilt, external RCI light, electronic level indicator, radio and camera system.

SPECIFICATIONS

Lowerworks



Carbody

Connects rotating bed to crawler assemblies. High strength fabricated steel assembly with FACT™ connection system for fast installation and removal of crawler assemblies.



Crawlers

Crawler assemblies are 27' 2" (8,3 m) long with 48" (1,22 m) wide cast steel crawler pads. Each crawler is identical and can be mounted on either side of the carbody. Each crawler is powered independently by a variable displacement hydraulic motor and includes two hydraulically powered pin actuators for fast installation and removal from carbody. Maximum ground speed of 1.0 mph (1.6 kph).

Attachments



No. 76A Boom

The liftcrane is equipped with a 65.6 ft (20 m) basic No. 76A tubular chord boom consisting of a 18 ft (5,5 m) butt, 18 ft (5,5 m) insert and 30 ft (9 m) top with seven 30 inch (76,2 cm) diameter roller bearing sheave in 3 sheave packs. No. 76A boom utilizes steel boom suspension straps.

Spring cushioned boom stop and electronic automatic boom stop standard.

- Optional: No. 76A boom lengths are increased using 9.8 ft (3 m), 19.7 ft (6 m) and 39.4 ft (12 m) No. 76 inserts with steel boom suspension straps.



No. 134 Fixed Jib

30 ft (9.1 m) basic No. 134 tubular chord fixed jib consisting of 15 ft (4.6 m) jib butt and 15 ft (4.6 m) jib top with 12 ft (3.7 m) jib strut, and wire rope, pendants. Includes RCL/RCl hardware.

- Optional: No. 134 fixed jib lengths are increased using 10 ft (3 m) inserts with wire rope pendants. Max fixed jib length is 60 ft (18.3 m).



No. 135 Luffing Jib

70 ft (21.3 m) basic No. 135 tubular chord luffing jib assembly consisting of 27 ft (8.2 m) butt, 20 ft (6.1 m) insert and 23 ft (7 m) top with two 27 in (68.6 cm) straight roller bearing sheave, pin connected jib sections, pendants, main strut, jib strut and backstay pendants.

- Optional: No.135 luffing jib lengths are increase using 10 ft (3 m), 20 ft (6.1 m) and 40 ft (12.2 m) No. 135 inserts with pendants.



NOTES



NOTES

The Manitowoc Company, Inc.

Regional headquarters

Americas

Milwaukee, Wisconsin, USA
Tel: +1 414 760 4600

Shady Grove, Pennsylvania, USA
Tel: +1 717 597 8121

Europe and Africa

Dardilly, France – TOWERS
Tel: +33 (0) 4 72 18 20 20

Wilhelmshaven, Germany – MOBILE
Tel: +49 (0) 4421 294 0

APAC

Shanghai, China
Tel: +86 21 6457 0066

Singapore
Tel: +65 6264 1188

Middle East and India

Dubai, UAE
Tel: +971 4 8862677

© 2025 The Manitowoc Company, Inc.
Form No. MLC200 PG
Part No. -- /.025M/0825

This document is non-contractual. Constant improvement and engineering progress make it necessary that we reserve the right to make specification, equipment, and price changes without notice. Illustrations shown may include optional equipment and accessories and may not include all standard equipment.



[manitowoc.com](https://www.manitowoc.com)