

DWG. NO.	420726-2 420726-9	420725-2 420725-9	420722-2 420722-9	420724-2 420724-9	420731-2	163635-2 W/420730	277192 DWG.#142723	277193 DWG.#142723	162143	147126/8	162376
BOOM LENGTH	25FT. INSERT	50FT. INSERT	25FT. INSERT	50FT. INSERT							
	(SEE INSERT NOTES)										
125 FT.	25 FT. OF INSERT	0 FT. OF INSERT	25 FT. OF INSERT	25 FT. OF PENDANT SETS	1	0	0	0	0	0	0
150 FT.	25 FT. OF INSERT	25 FT. OF INSERT	50 FT. OF INSERT	50 FT. OF PENDANT SETS	1	1	1	1	1	1	1
175 FT.	75 FT. OF INSERT	0 FT. OF INSERT	75 FT. OF INSERT	75 FT. OF PENDANT SETS	3	0	0	0	0	0	0
200 FT.	75 FT. OF INSERT	25 FT. OF INSERT	100 FT. OF INSERT	100 FT. OF PENDANT SETS	3	1	1	1	1	1	1
225 FT.	75 FT. OF INSERT	50 FT. OF INSERT	125 FT. OF INSERT	125 FT. OF PENDANT SETS	3	2	2	2	2	2	2
250 FT.	75 FT. OF INSERT	75 FT. OF INSERT	150 FT. OF INSERT	150 FT. OF PENDANT SETS	3	3	3	3	3	3	3
275 FT.	75 FT. OF INSERT	100 FT. OF INSERT	175 FT. OF INSERT	175 FT. OF PENDANT SETS	3	4	4	4	4	4	4
300 FT.	75 FT. OF INSERT	125 FT. OF INSERT	200 FT. OF INSERT	200 FT. OF PENDANT SETS	3	5	5	5	5	5	5
325 FT.	75 FT. OF INSERT	150 FT. OF INSERT	225 FT. OF INSERT	225 FT. OF PENDANT SETS	3	6	6	6	6	6	6
350 FT.	75 FT. OF INSERT	175 FT. OF INSERT	250 FT. OF INSERT	250 FT. OF PENDANT SETS	3	7	7	7	7	7	7
375 FT.	75 FT. OF INSERT	200 FT. OF INSERT	275 FT. OF INSERT	275 FT. OF PENDANT SETS	3	8	8	8	8	8	8

INSERT NOTES:

- 1 - MAXIMUM NUMBER OF 25 FT. 420726 INSERTS = 1.
- 2 - 25 FT. 420726 INSERT TO BE LOCATED ADJACENT TO 25 FT. BUTT #162087, EXCEPT ON 175 FT. BOOM WITH JIB, 50 FT. 420725-9 TO BE ADJACENT TO BUTT.
- 3 - MAXIMUM NO. OF 25 FT. 420722 INSERTS = 2.
- 4 - 25 FT. INSERT 420722 TO BE LOCATED ADJACENT TO TRANSITION INSERT 420723.
- 5 - SEE JIB ASSEMBLY FOR LOCATION OF INSERT WITH JIB BACKSTAY LUG.

PENDANT NOTES:

- 1 - PENDANT SETS DO NOT INCLUDE BASIC PENDANTS #277084 & #277192.
- 2 - PENDANTS FURNISHED IN SETS OF FOUR.
- 3 - MAXIMUM NO. OF 25 FT. PENDANTS = 8. (EXCLUDES BASIC PENDANTS)
- 4 - FOR BOOM LENGTHS OF 275 THRU 375 FT. WHEN PENDANTS ARE ATTACHED TO THE OFFSET LINK REF. 165774, REMOVE ONE SET OF 50 FT. PENDANTS REF. 277193.
- 5 - ALL 25 FT. PENDANTS INCLUDING 25 FT. BASIC MUST BE LOCATED ADJACENT TO EQUALIZER FOR ALL BOOM LENGTHS.

420726-2 PLAIN INSERT
420726-9 WITH JIB BACKSTAY LUG

420725-2 PLAIN INSERT
420725-9 WITH JIB BACKSTAY LUG

420722-2 PLAIN INSERT
420722-9 WITH JIB BACKSTAY LUG

420724-2 PLAIN INSERT
420724-9 WITH JIB BACKSTAY LUG

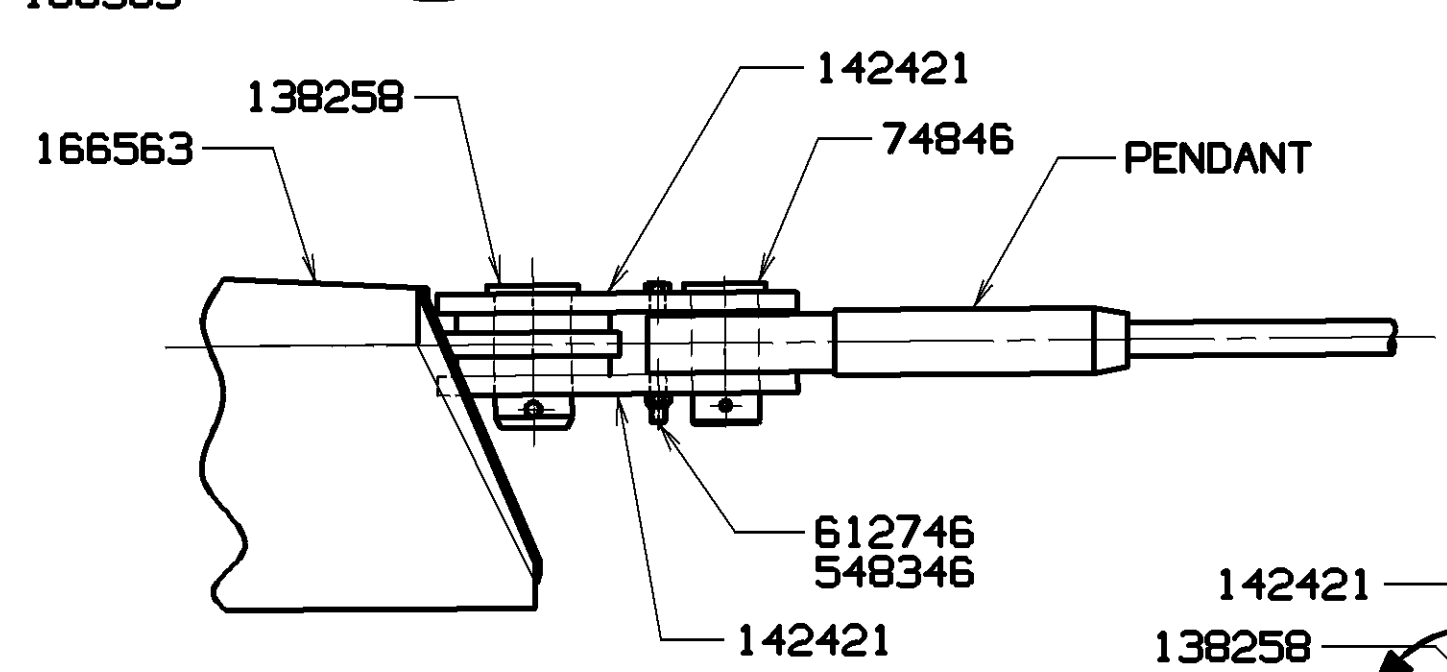
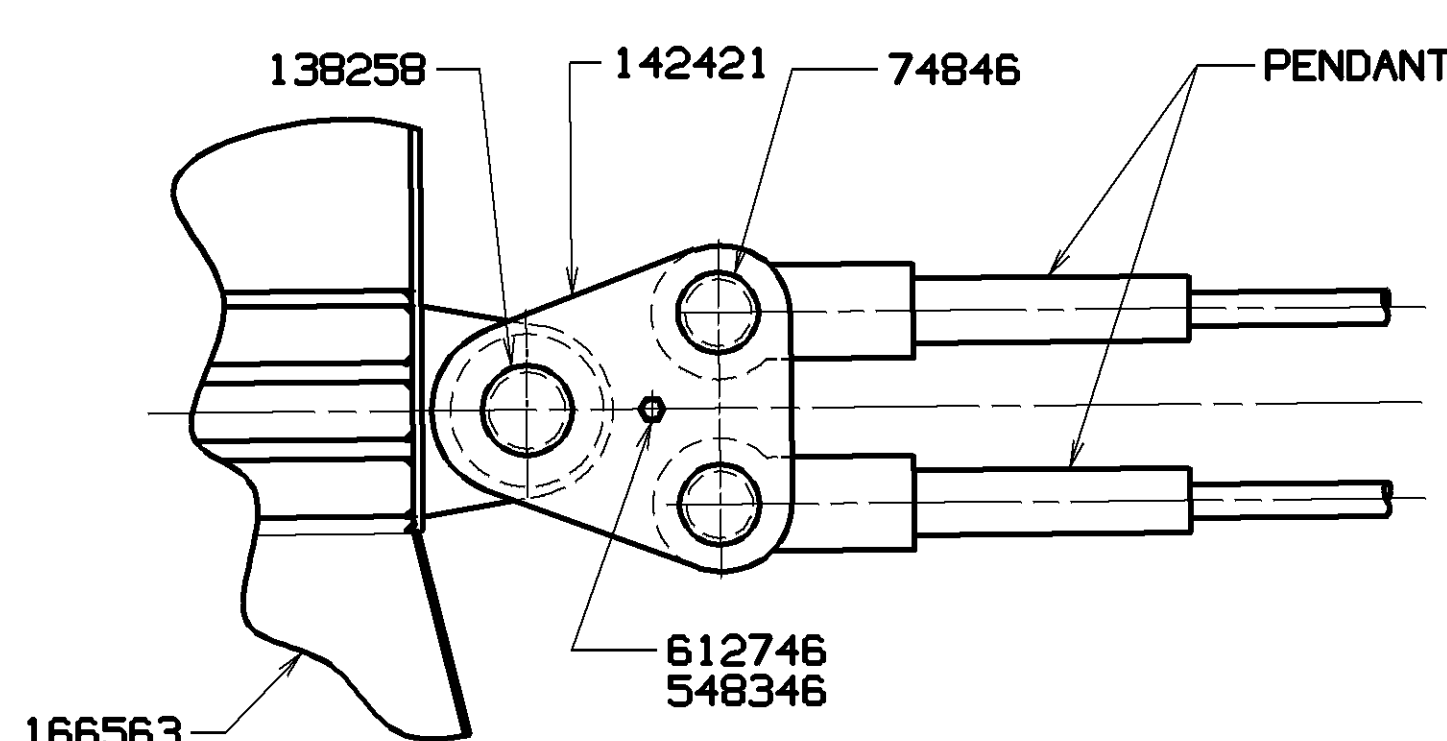
OR
420731-2 PLAIN INSERT
420731-9 WITH JIB BACKSTAY LUG

OR
163635-2 PLAIN INSERT
W/420730

163635-9 WITH JIB BACKSTAY
W/420730

OPTIONAL:

BOOM HOIST LINE FOR 14 PART LINE FOR MACHINE WITH LIFT/TOWER COMBINATION 2975 FEET OF 1.125-5X26 WARRINGTON SEALE. EXTRA IMPROVED FLOW STEEL, REGULAR LAY. IWRC. BREAKING STRENGTH 130,000 LBS. (719288)



VIEW "B"

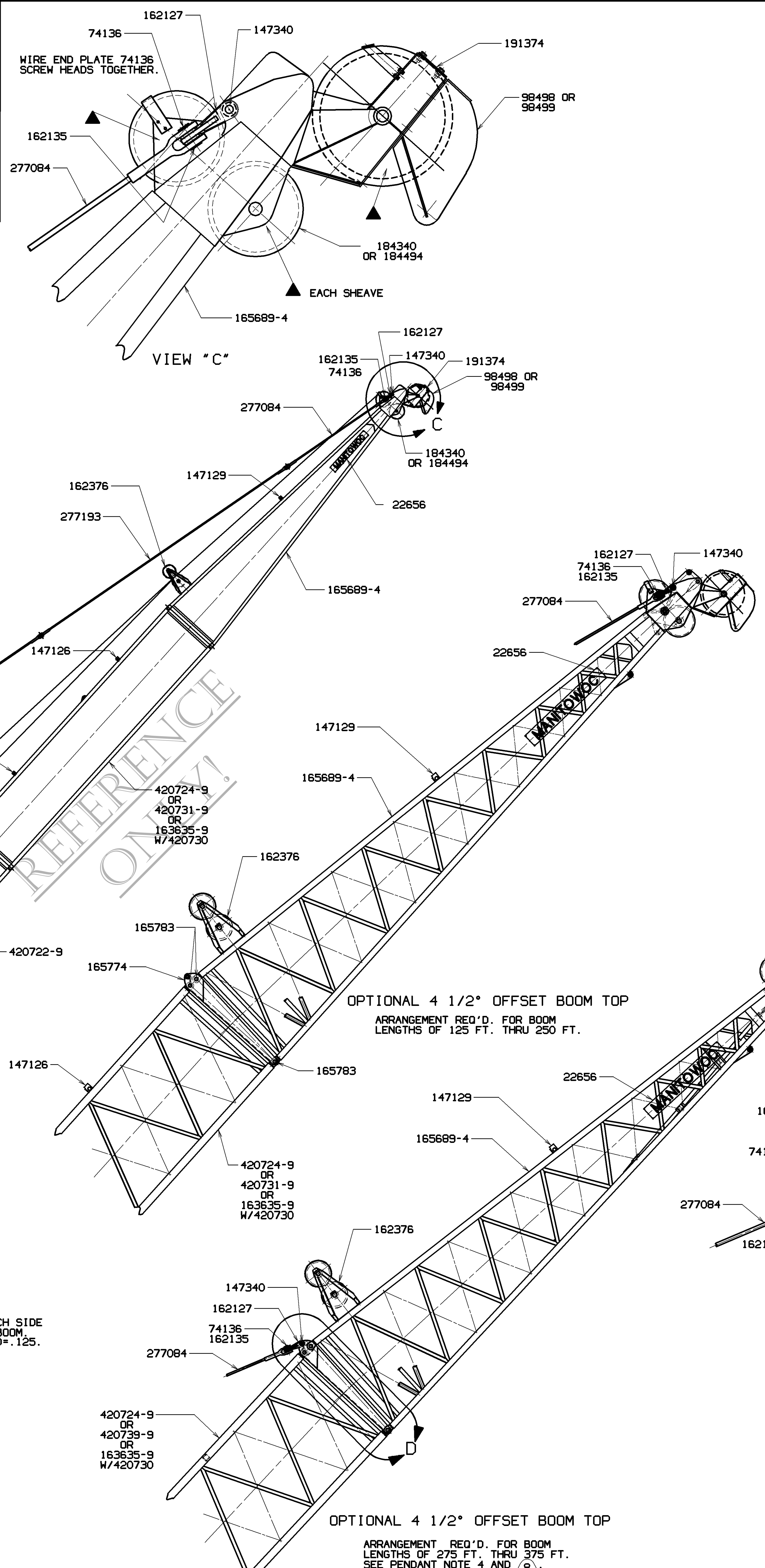
VIEW "B"

VIEW "A" - "A"

(REF.) BOOM HINGE PIN

136552-ADD WASHERS ON EACH SIDE TO PREVENT SIDE PLAY IN BOOM. MAXIMUM SIDE PLAY ALLOWED=.125.

REFERENCE ONLY!



VIEW "C"

BILL OF MATERIAL				ASSEMBLIES USED ON
QTY	ITEM NO.	DESCRIPTION	MATERIAL	REV. NO.
100 FT. BASIC BOOM PARTS				
2		BOOM SIGN	22656	
4		PIN	74846	
4		END PLATE	74136	
2		PIN	138258	
2		PIN	147340	
4		LINK	142421	
1		EQUALIZER ASSEMBLY	166563	
1		GANTRY ASSEMBLY	162063	
1		TRANSITION INSERT (25 FT.)	420723/6	
1		BOOM BUTT (25 FT.)	162087	
1		BOOM TOP (50 FT.)	165689-4	
4		PIN	162135	
2		LINK	162127	
1		BOOM POINT SHAFT ASSEMBLY - LOWER	184340/1	
		WASHER	136552/2	
1		WIRE ROPE ROLLER GUIDE ASSEM.	147129	
1		WIRE ROPE ROLLER GUIDE ASSEM.	147126	
2		.75-10UNC-2A X 6.75 LG HEX HD SCR	612746	
2		.75-10UNC-2B ELASTIC STOP NUT	548346	
4		PENDANT 25 FT.-0 (DWG. 142723)	277192	
4		PENDANT 20 FT.-0 (DWG. 142723)	277084	

OPTIONAL PARTS			
1		BOOM POINT SHAFT ASSEMBLY - UPPER	98498/3
1		BOOM POINT SHAFT ASSEMBLY - UPPER	98499/4
1		BOOM POINT SHAFT ASSEMBLY - LOWER	184494/5
1		FRAME FOR UPPER BOOM POINT	191374

OPTIONAL PARTS (4 1/2° OFFSET BOOM TOP) SEE (7)			
2		LINK	165774
6		PIN	165783

- 1 8 SHEAVES - 32.00 DIA.
- 2 AS REQ'D.
- 3 1 SHEAVE - 47.00 DIA.
- 4 2 SHEAVES - 47.00 DIA.
- 5 3 SHEAVES - 32.00 DIA.
- 6 420723-2 PLAIN INSERT
420723-9 INSERT WITH JIB BACKSTAY LUG
- 7 100 FT. BOOM IS NOT AVAILABLE WITH THE OFFSET TOP.
- 8 FOR BOOM LENGTHS OF 275 FT THRU 375 FT WITH 4 1/2° OFFSET TOP, DELETE ONE ROLLER GUIDE ASSEMBLY 147126 CLOSEST TO LOWER SIDE OF WIRE ROPE GUIDE ASSEMBLY 162376.

VIEW "D"

OPTIONAL 4 1/2° OFFSET BOOM TOP
ARRANGEMENT REQ'D. FOR BOOM LENGTHS OF 125 FT. THRU 250 FT.

OPTIONAL 4 1/2° OFFSET BOOM TOP
ARRANGEMENT REQ'D. FOR BOOM LENGTHS OF 275 FT. THRU 375 FT. SEE PENDANT NOTE 4 AND (8).

REV. 010	Mantowoc Cranes, Inc.	BOOM RIGGING ASSEMBLY	DATE 8-26-86
BY: JHS	Mantowoc, Wisconsin	#6BT-#64AT	PATTERN NO.
BY: LS	MOD. 6000 S2	COMBINATION BOOM	
BY: TSC			166919