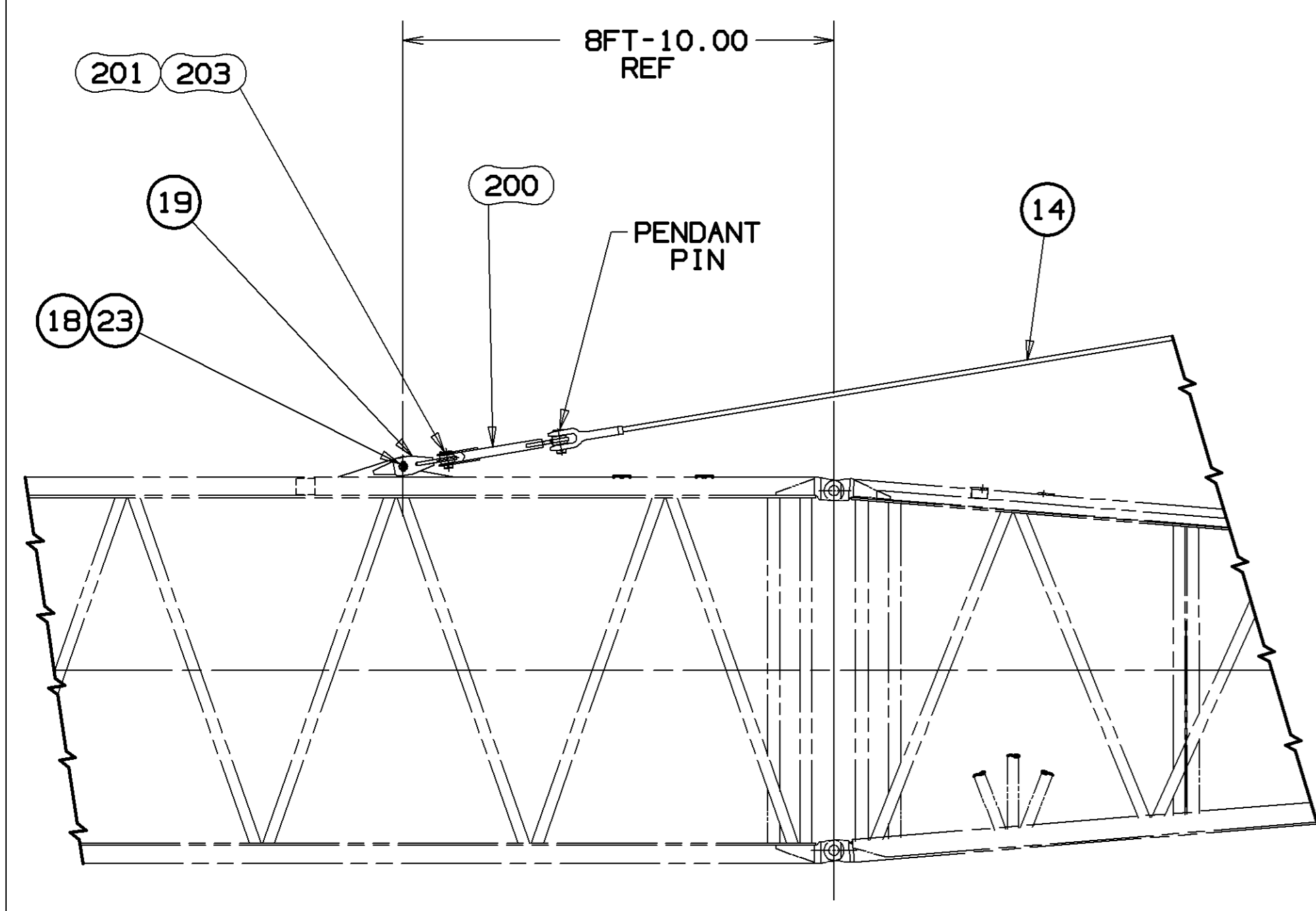


REQUIRED FOR VARIOUS JIB LENGTHS (A)

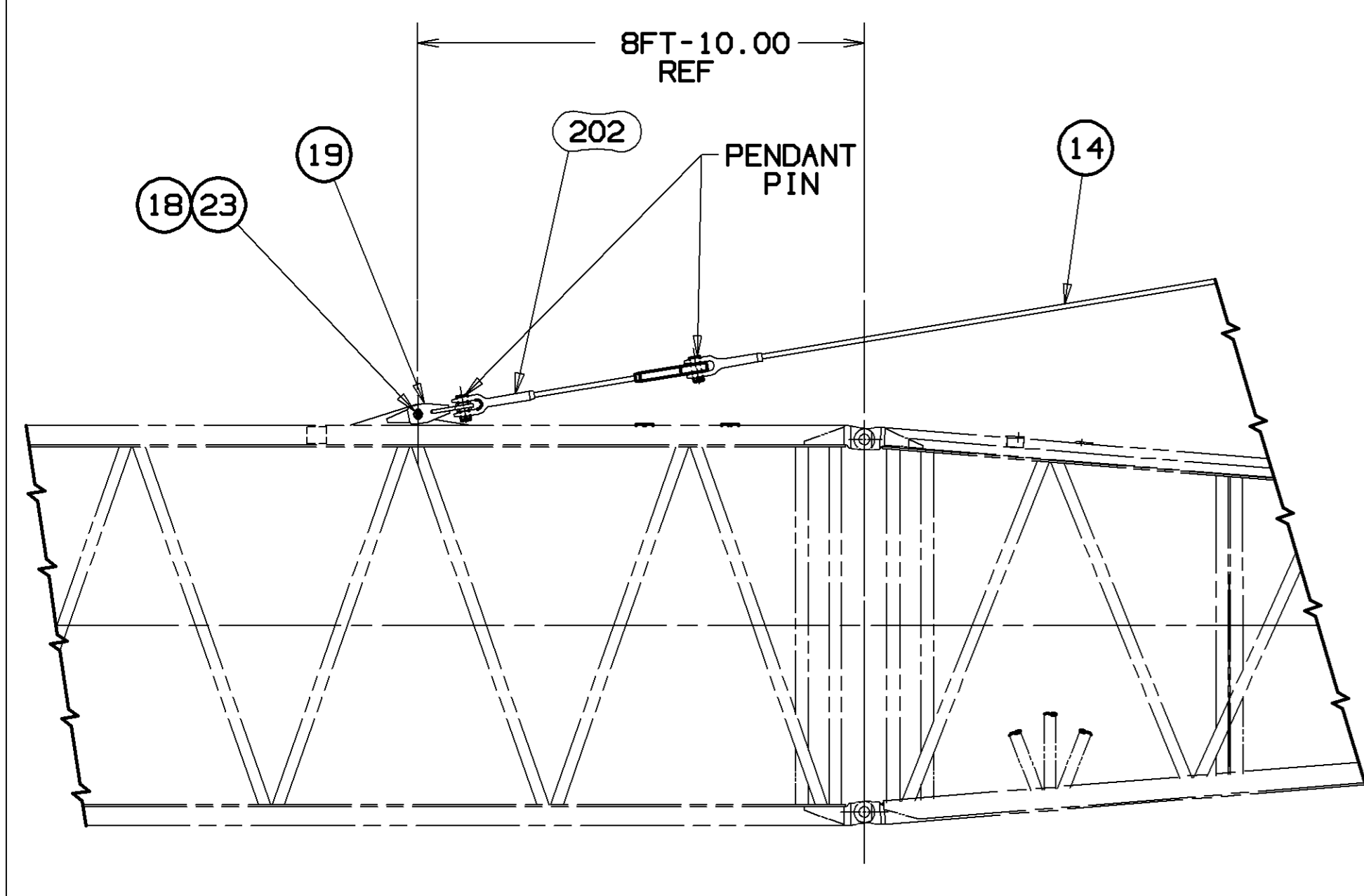
ITEM NO.	100	102	105	106	101	108	103	104	107	109
JIB LENGTH FEET METERS	INSERT 10 FT-00 (3.05 M) ASSY	INSERT 20 FT-00 (6.10 M) ASSY	PENDANT 9 FT-6.00 (2.89 M)	PENDANT 19 FT-00 (5.79 M)	PIN JIB JOINT	PIN COTTER	TIMBER	CARRIAGE BOLT	ELASTIC STOP NUT	WASHER FLAT
30 9.14	0	0	0	0	4	4	0	4	4	8
40 12.19	1	0	2	0	8	8	1	8	8	16
50 15.24	OR 2	0	4	0	12	12	2	12	12	24
60 18.29	OR 3	0	6	0	16	16	3	16	16	32
70 21.33	OR 4	0	8	0	20	20	4	20	20	40
80 24.38	OR 5	1	2	4	24	24	5	24	24	48

REQUIRED FOR VARIOUS JIB ANGLES

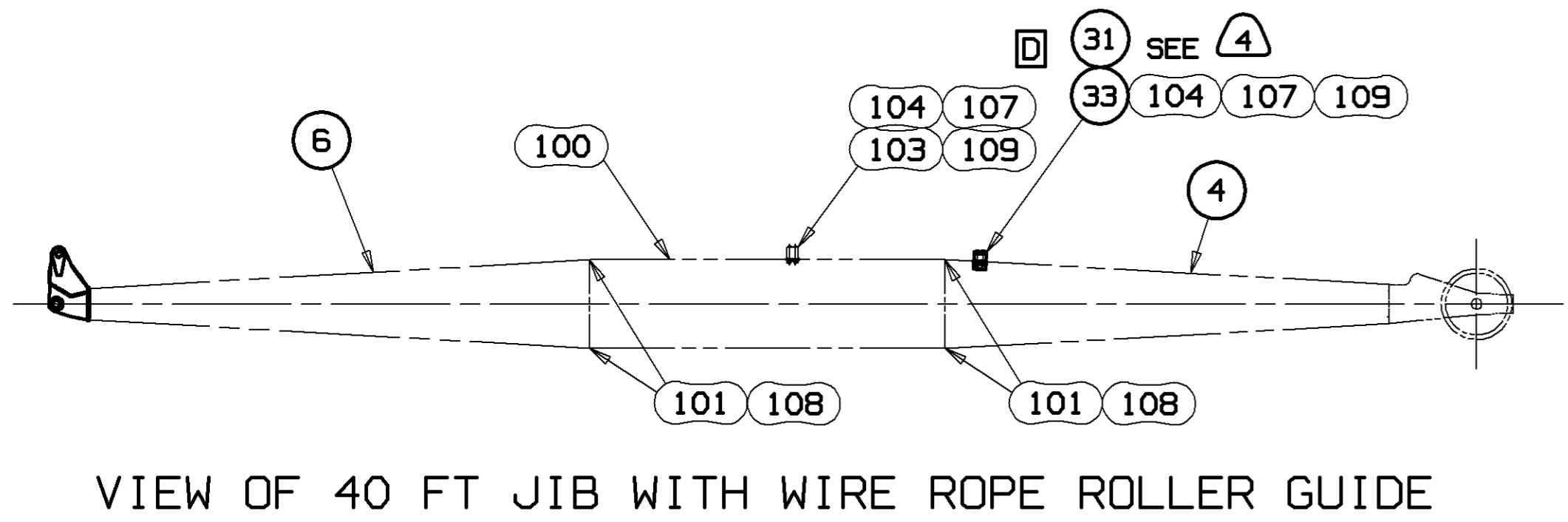
ITEM NO.	202	200	201	203
JIB ANGLE	PENDANT 4 FT-8.00 (1.42 M)	LINK	PIN	PIN COTTER
5°	0	0	2	6
15°	0	2	4	8
25°	2	0	2	6



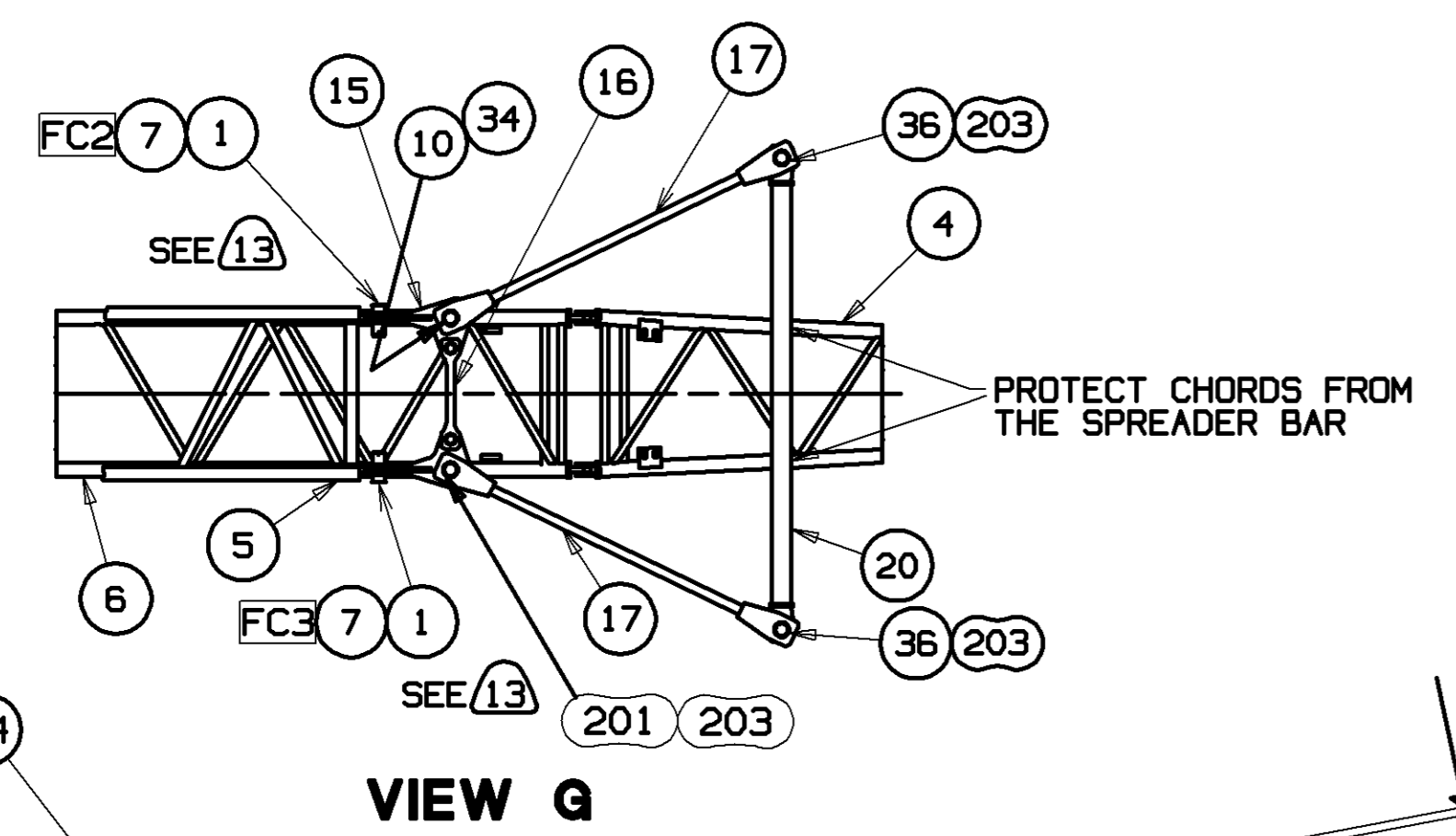
15° JIB ANGLE



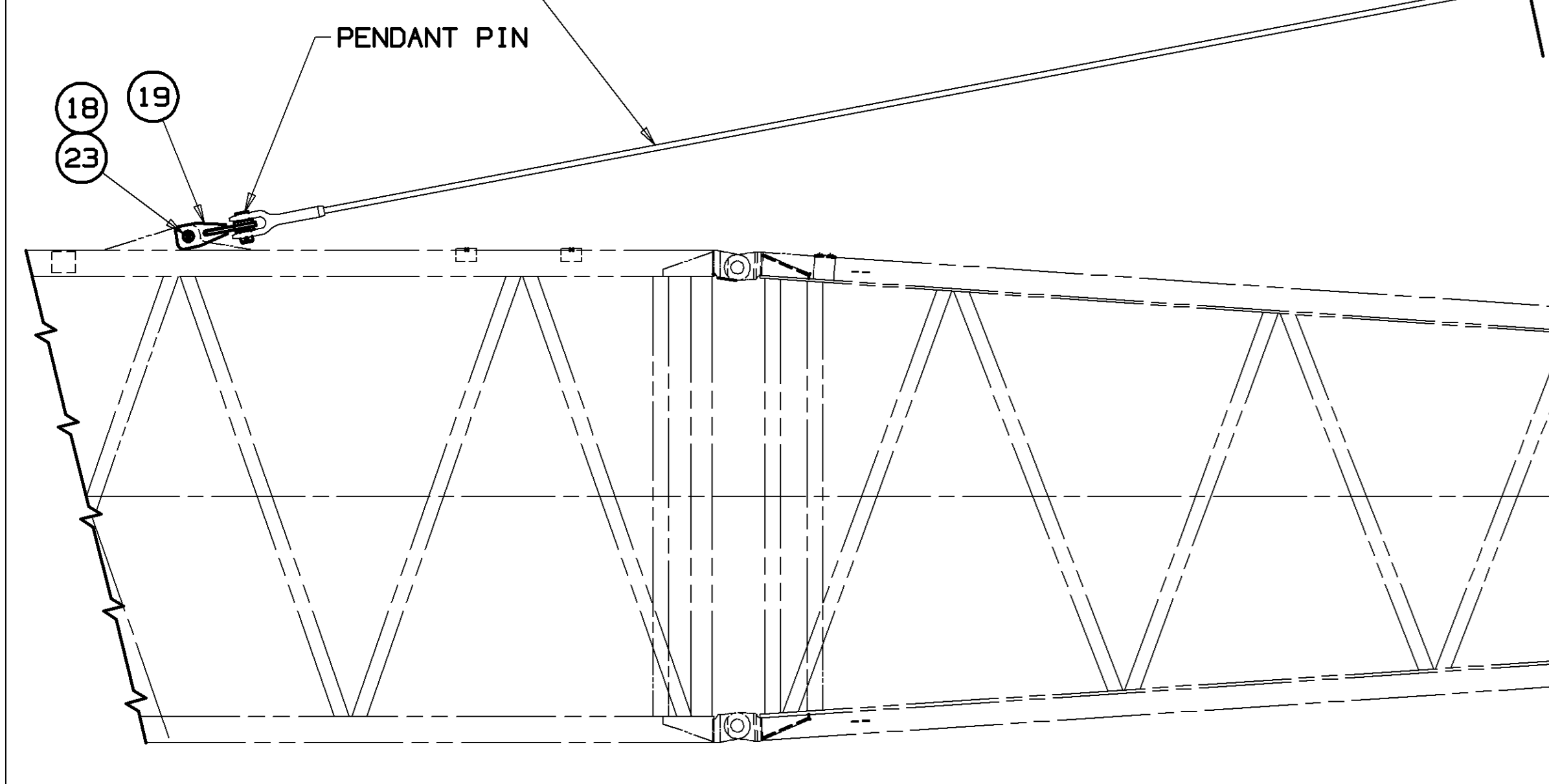
25° JIB ANGLE



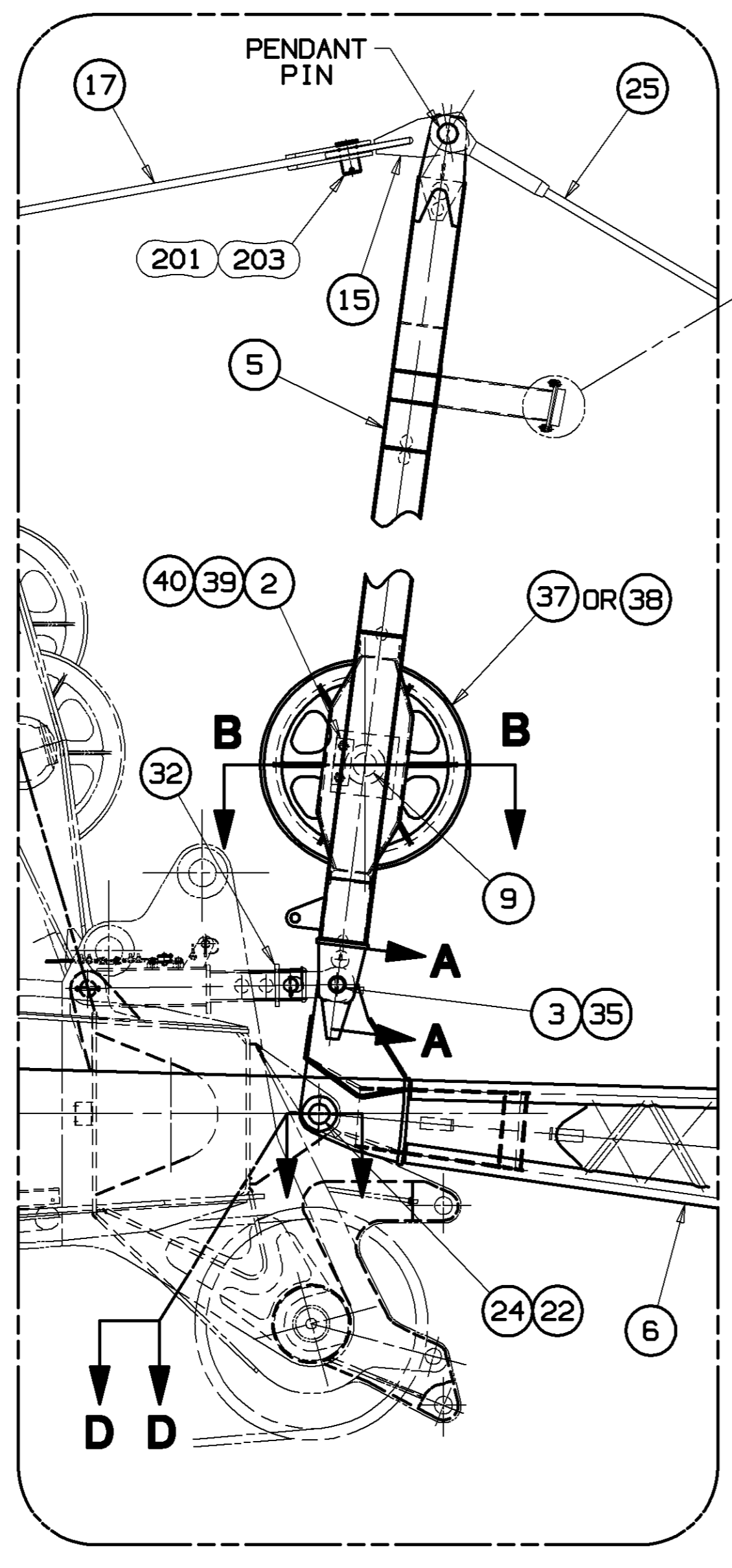
VIEW OF 40 FT JIB WITH WIRE ROPE ROLLER GUIDE



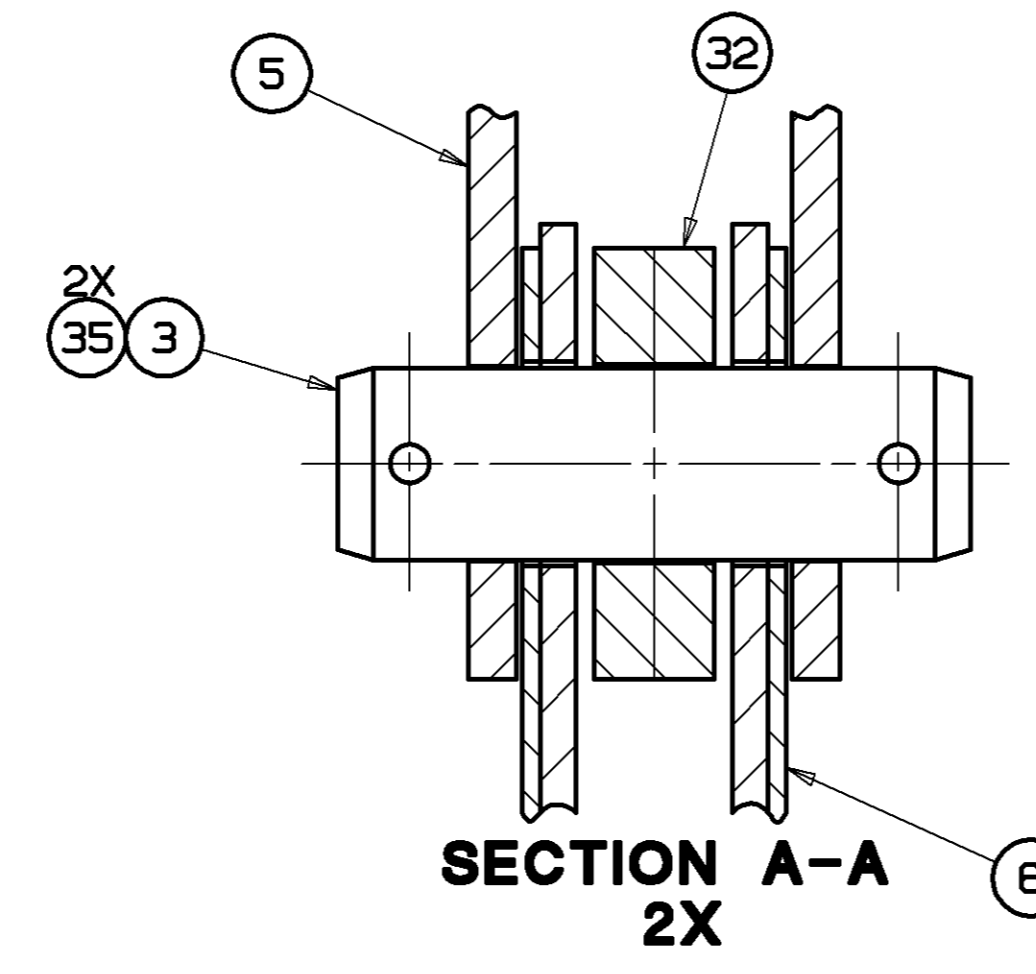
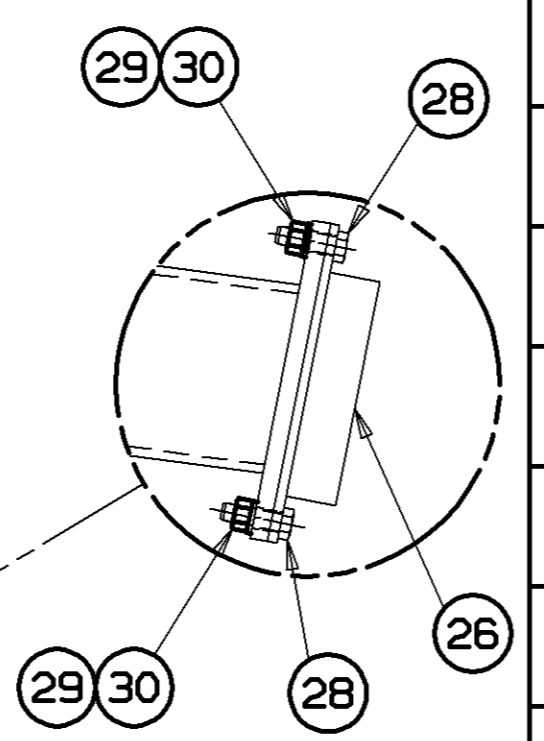
VIEW G



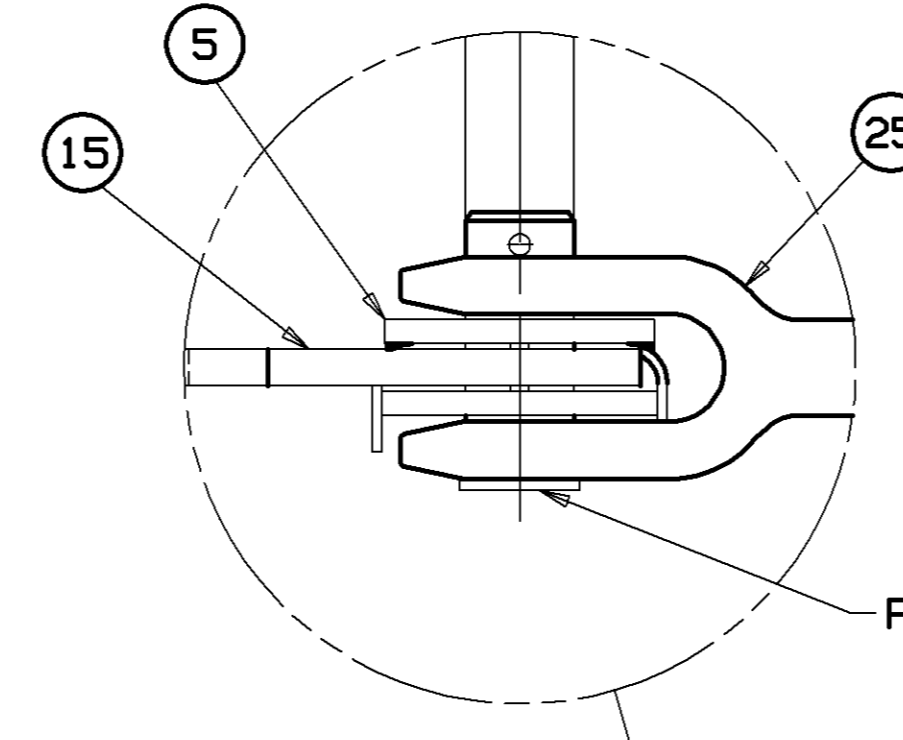
30 FT. (9.15M) JIB WITH 5° JIB ANGLE SHOWN



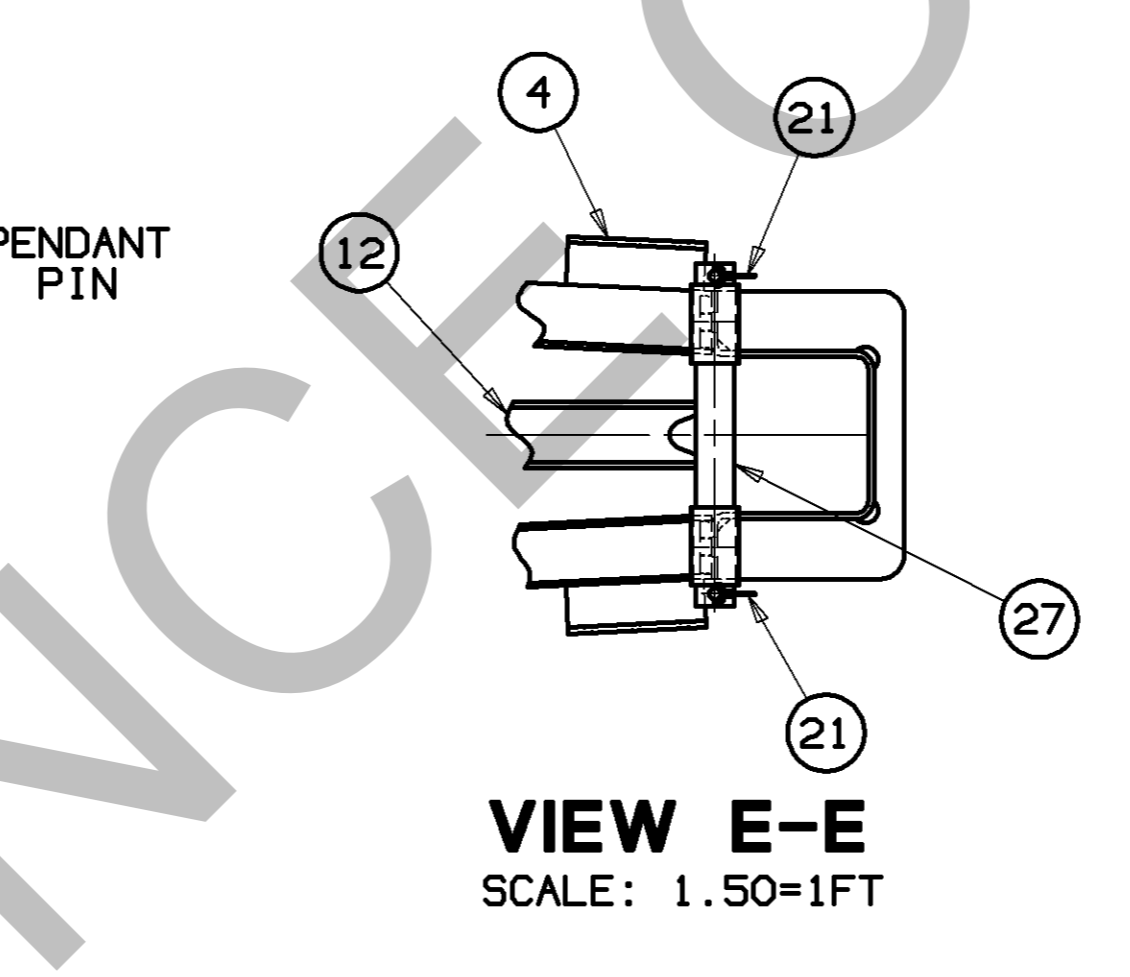
VIEW C



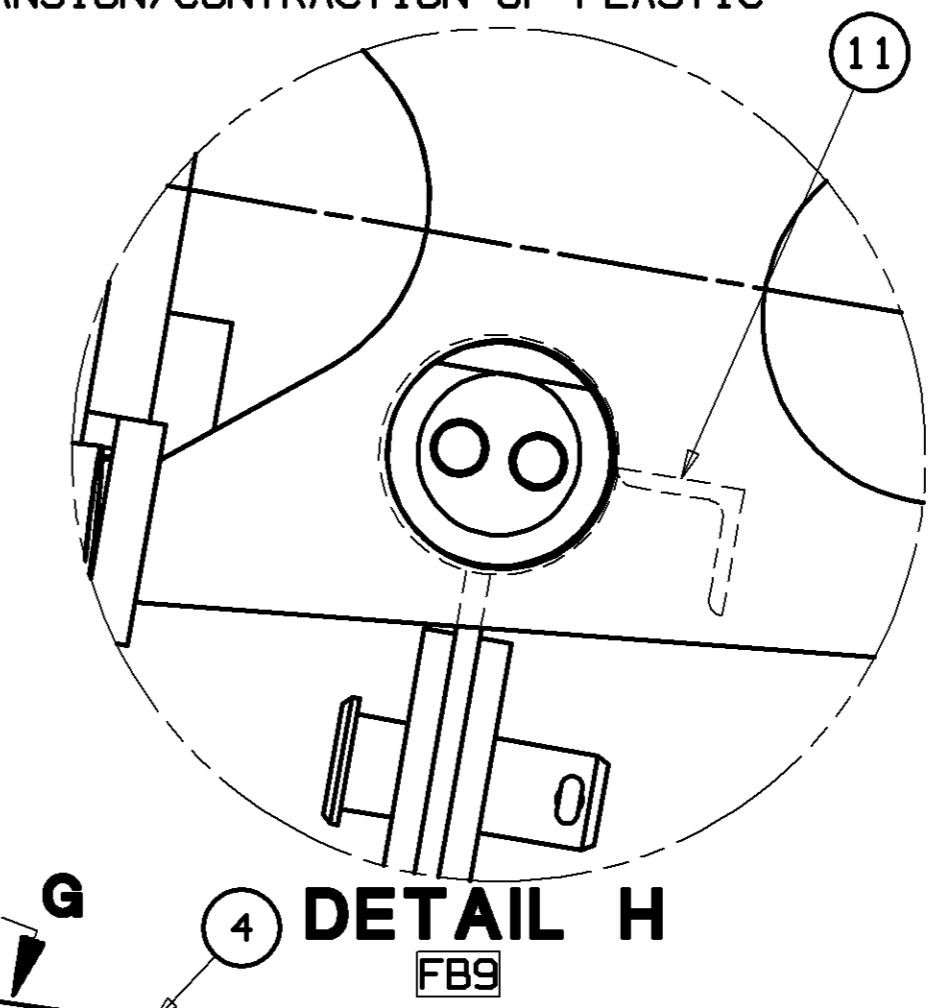
SECTION A-A 2X



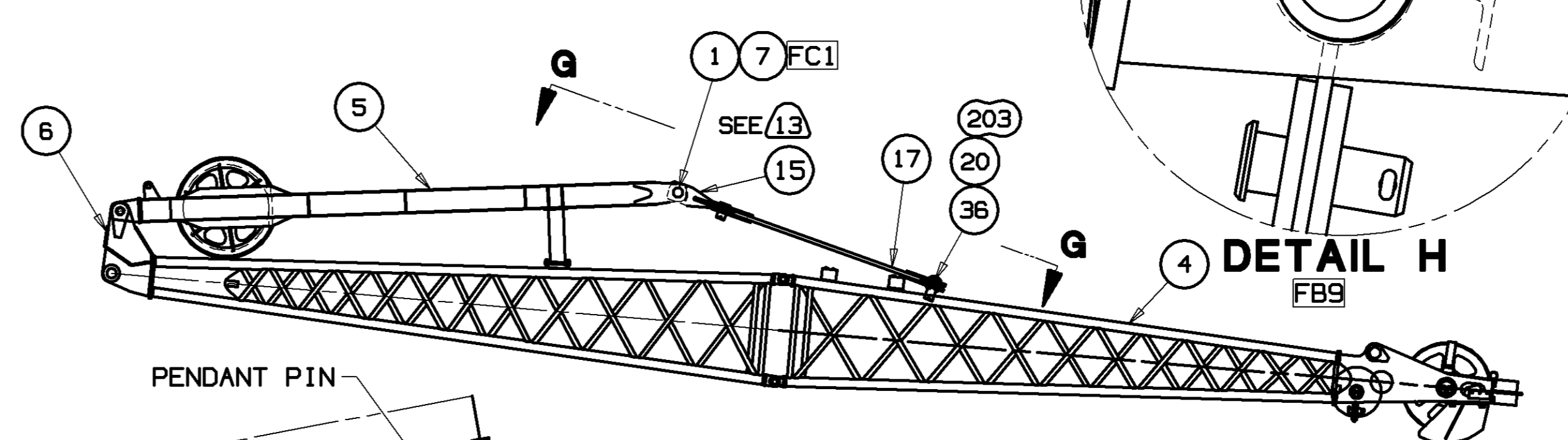
SECTION D-D 2X



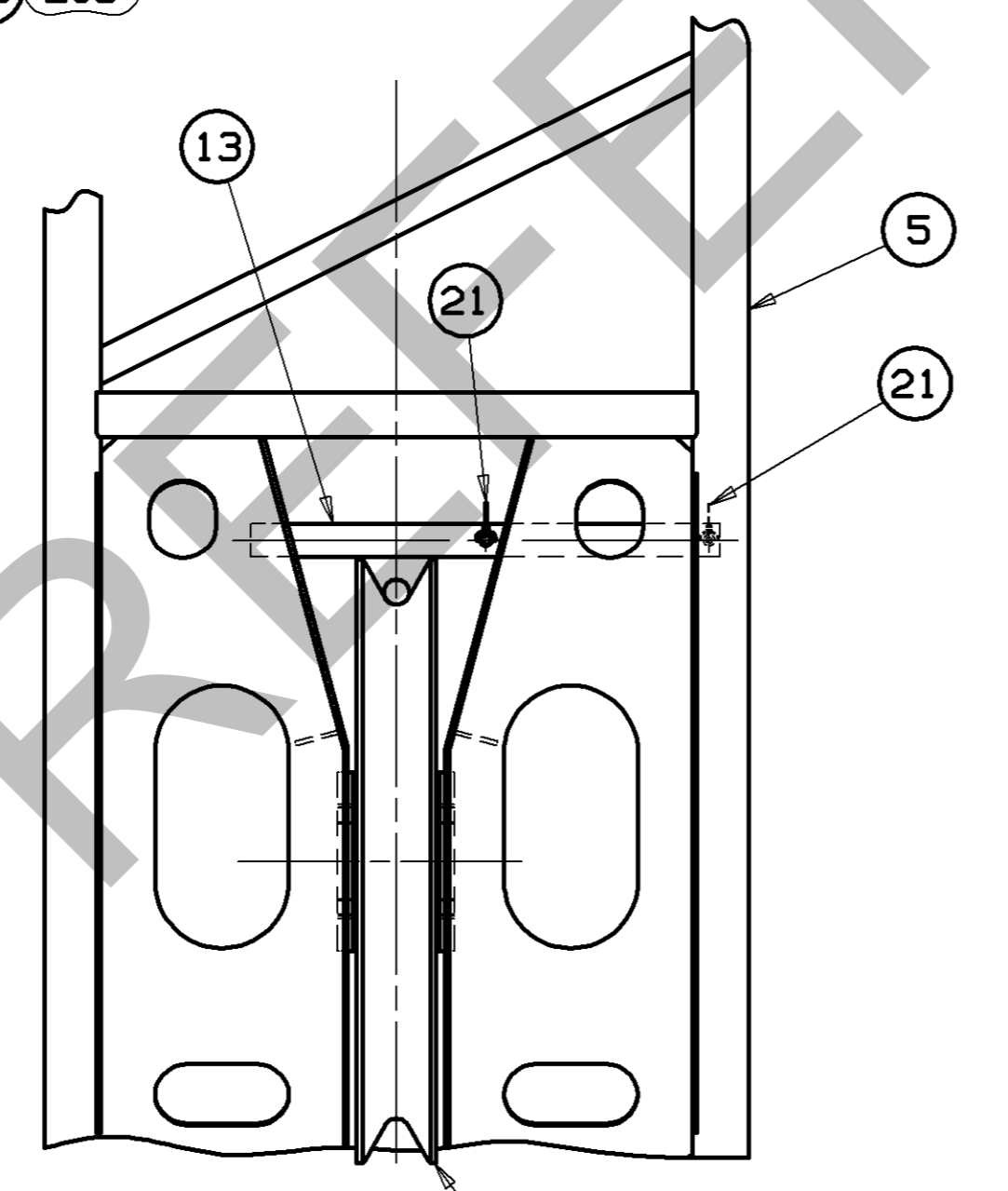
VIEW E-E SCALE: 1.50=1FT



DETAIL H



SHIPPING CONFIGURATION SCALE: .38'=1FT



VIEW F-F SCALE: 1.50=1FT

BILL OF MATERIAL

ITEM NO.	DESCRIPTION	QTY	UNIT	MATERIAL	REV.	DATE
4386-0000 #134 JIB ASSEMBLY						
F1	2 PIN FOR PENDANT	564097	13			
2	2 KEEPER	169810				
3	2 PIN	170851				
4	1 JIB TOP 15 FT-0 (4.57 M)	A01810	6.8			
5	1 STRUT 12 FT-6 (3.81 M)	A01797	7			
6	1 JIB BUTT 15 FT-0 (4.57 M)	177054	1			
7	4 PIN COTTER 3/8 DIA X 3.50 LG	562151	16			
8	2 PIN	75052				
9	1 PIN	177219				
10	2 PIN COTTER .31 X 3.00	562130				
11	1 UNIVERSAL WIRE ROPE ANCHOR JOINT	90317				
12	1 JIB POINT SHAFT ASSEMBLY	90318				
13	1 GUARD WIRE ROPE	A02066	7			
14	2 PENDANT 44 FT-7 (13.59 M)	277432	3			
15	2 LINK	177295				
16	1 LINK	177296				
17	2 LINK	177297				
18	4 PIN COTTER .38 X 3.00	562150				
19	2 LINK	177299				
20	1 SPREADER	177300				
21	4 PIN, SAFETY SNAP, .25 DIA.	563823				
22	4 PIN COTTER .38 X 4.00	562152				
23	2 PIN	73045				
24	2 PIN	177397				
25	2 PENDANT 30 FT-9.00 (9.37 M)	277430	2			
26	2 RUBBER BUMPER	285220				
27	1 GUARD WIRE ROPE	A02370	6			
28	4 SCR HEX .375-16UNC-2A X 1.25 GR5	612456				
29	4 NUT HEX .375-16 UNC-2B	546054				
30	4 LOCKWASHER .375	710304				
31	2 CLAMP	177473	4			
32	1 JIB STOP ASSEMBLY	179332				
A33	1 TIMBER 27.00 LG X 3.50 W	B1017676	14			
34	2 PIN	177301				
35	4 PIN COTTER .38 X 5.00	562154				
36	2 PIN	177303				
37	1 SHEAVE ASSEMBLY	176799	4			
38	1 SHEAVE WIRE ROPE ASSY	81007542				
FB239	4 HHCS 3/4-10UNC X 1.50 GR 5	612715				
FB340	4 L WASHER MEDIUM 3/4 ST B18.21.1	710308				
FB441	4 SPACER 1.00 DD X .120 WALL X 2.44	177474				
FB542	8 HEX LOCK NUT PA 5/8-11UNC GR 8	548345				
FB643	12 F WASHER 5/8 ST F436	613861				
FB744	4 HHCS 5/8-11UNC X 4.00 GR 5	709747				
FB845	4 HHCS 5/8-11UNC X 5.00 GR 5	612685				

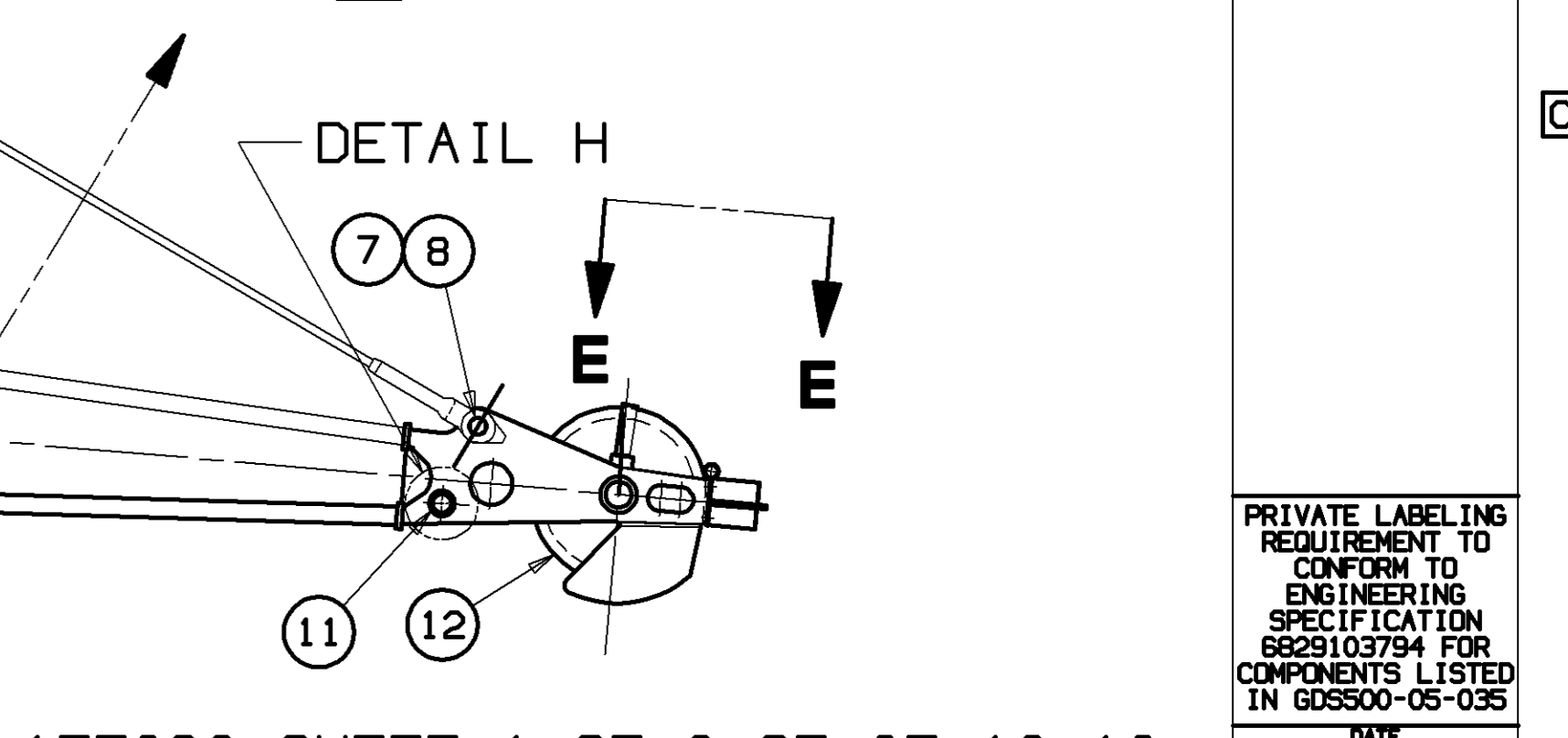
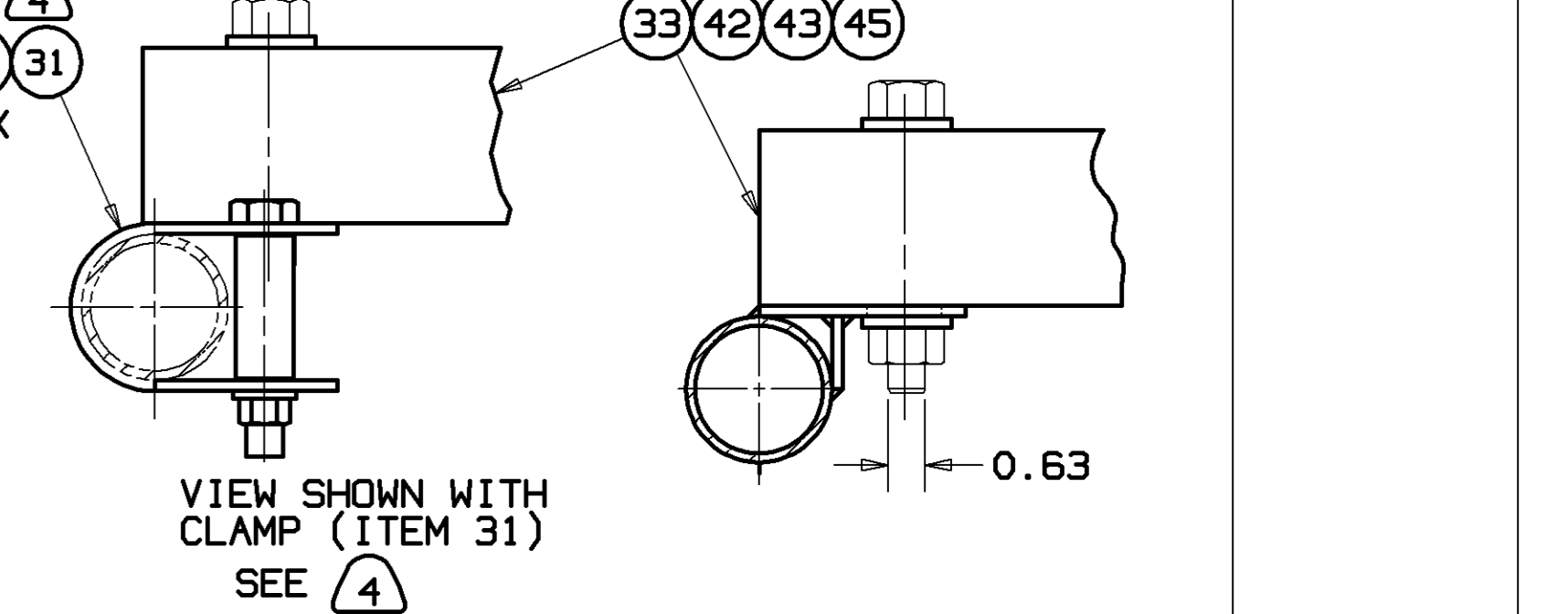
NO. REQD FOR THE FOLLOWING ITEMS ARE IN JIB LENGTH TABLE

ITEM NO.	DESCRIPTION	QTY
100	INSERT 10 FT #123, TUBULAR JIB	32938
101	PIN 1 HOLE W/HD 1.38 DIA X 2.48 LG	76225
102	INSERT 20 FT #123, TUBULAR JIB	176938
103	TIMBER 27.00 LG X 3.50 W	81017676
104	HHCS 5/8-11UNC X 5.00 GR 5	612685
105	PENDANT 9 FT-6.00 (2.89 M)	276729
106	PENDANT 19 FT-0.00 (5.79 M)	277422
107	ELASTIC STOP NUT 0.625-11	548345
108	PIN COTTER .38 DIA X 6.00	562158
109	WASHER FLAT .625	709747
110		
111		

NO. REQD FOR THE FOLLOWING ITEMS ARE IN JIB ANGLE TABLE

ITEM NO.	DESCRIPTION	QTY
200	LINK	177298
201	PIN 1 HOLE W/HD 2.25 X 3.17 LG	177302
202	PENDANT 4 FT-8.00 (1.42 M)	277431
203	PIN COTTER .38 X 3.50	562151
204		
205		

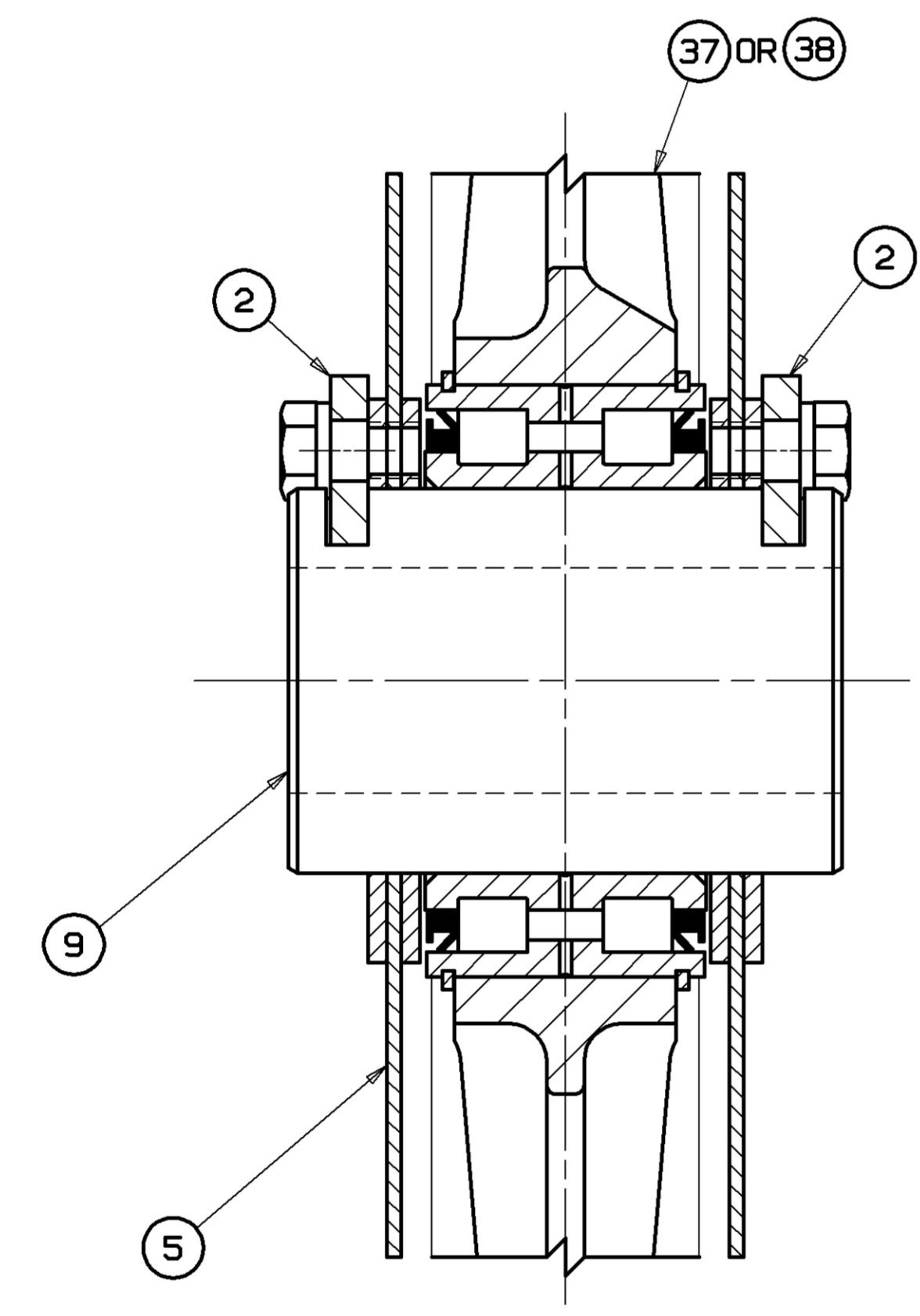
- 1 MINIMUM BOOM LENGTH REQ'D. FOR JIB = 90 FT.
- 2 ON DWG. 74958
- 3 ON DWG. 139117
- 4 REQ'D. FOR JIB TOPS NOT EQUIPPED WITH TIMBER MOUNTING BRACKETS.
- 5 INSERTS AND CORRESPONDING PENDANTS MUST BE INSTALLED IN ORDER OF ASCENDING LENGTH STARTING AT JIB BUTT.



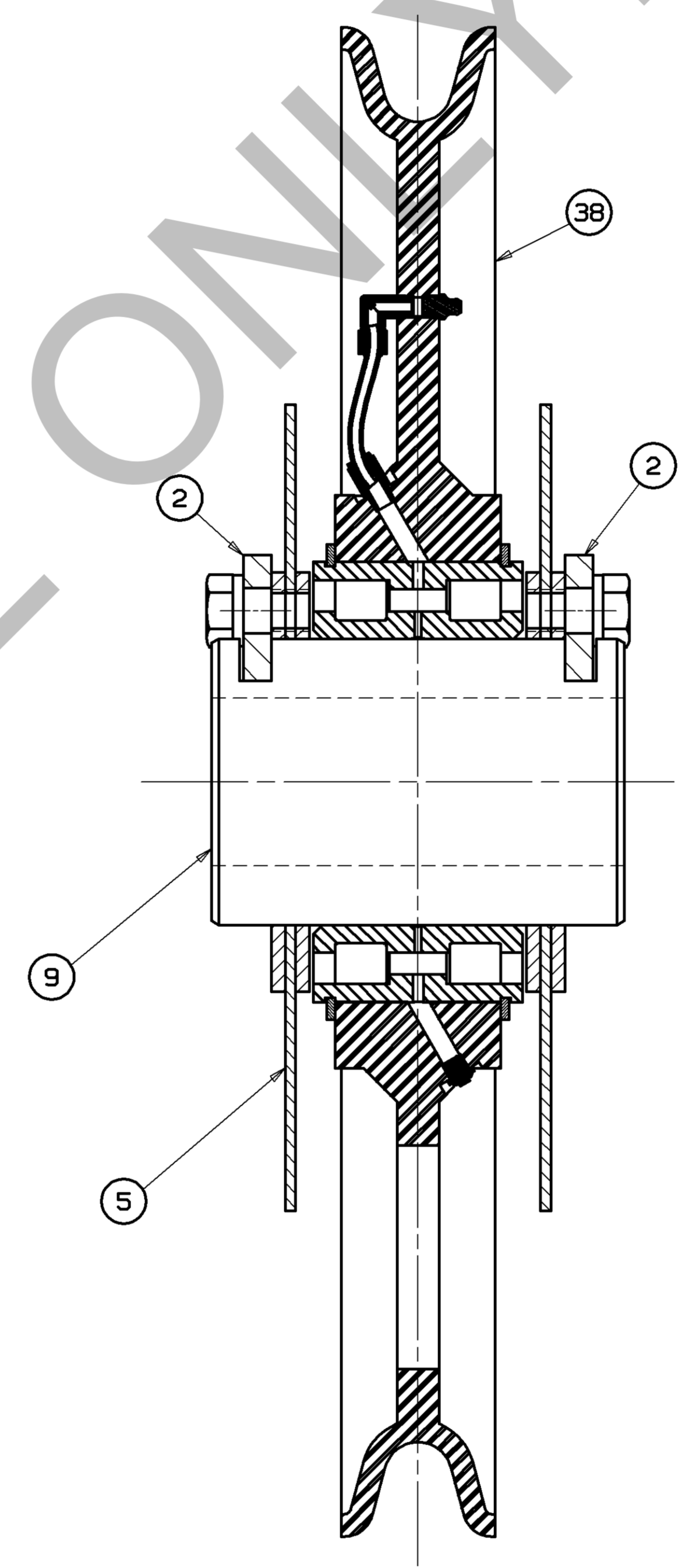
SUPERSEDES 177062 SHEET 1 OF 2 OF 05-12-10

<p>THIS PRINT REMAINS THE PROPERTY OF MANITOWOC CRANES, INC. IT IS LOANED, SUBJECT TO RETURN (WITH OR WITHOUT) AND ON EXPRESS CONDITION THAT IT IS NOT TO BE COPIED OR USED DIRECTLY OR INDIRECTLY IN ANY MANNER DETRIMENTAL TO OUR INTERESTS.</p>	<p>TELEPHONE 480-261-1000 FAX 480-261-1001 WWW.MANITOWOC.COM</p>	<p>MANITOWOC CRANES, INC. JIB #134 FOR #22EL</p>	<p>DATE: 10-04-11 REV: FC1</p>
--	--	--	------------------------------------

REVISIONS
02-19-14 RDA
UPDATED
BALLOONS



SECTION B-B
SCALE: 6=1FT



SECTION B-B
SHOWN ITEM 38, FOR ORIENTATION OF GREASING ONLY
SCALE: 6=1FT

REFERENCE ONLY!

177062
SHT 2 OF 2

PRIVATE LABELING
REQUIREMENT TO
CONFIRM TO
ENGINEERING
SPECIFICATION
6829103794 FOR
COMPONENTS LISTED
IN 682909-05-026

DATE
03-12-09
REV. LNK
FC

<small>THIS PRINT REMAINS THE PROPERTY OF MANTOWOC CRANES, INC. ALL INFORMATION CONTAINED HEREIN IS CONFIDENTIAL. IT IS LOANED, SUBJECT TO RETURN FROM BORROWER, AND ON EXPRESS CONDITION THAT IT IS NOT TO BE COPIED OR USED DIRECTLY OR INDIRECTLY IN ANY MAY WHATSOEVER DETRIMENTAL TO OUR INTERESTS.</small>		<small>TOLERANCE UNLESS OTHERWISE SPECIFIED</small> <table border="1"> <tr> <th>DECIMAL PLACES</th> <th>FABRICATION</th> <th>MACHINING</th> </tr> <tr> <td>(1) PLACE</td> <td>± 0.12</td> <td>± 0.10</td> </tr> <tr> <td>(2) PLACE</td> <td>± 0.08</td> <td>± 0.12</td> </tr> <tr> <td>(3) PLACE</td> <td>± 0.005</td> <td>± 0.005</td> </tr> <tr> <td>ANGLES</td> <td>± 1° 30'</td> <td>± 0° 30'</td> </tr> </table>	DECIMAL PLACES	FABRICATION	MACHINING	(1) PLACE	± 0.12	± 0.10	(2) PLACE	± 0.08	± 0.12	(3) PLACE	± 0.005	± 0.005	ANGLES	± 1° 30'	± 0° 30'	<small>SCALE</small> .39=1FT Mantowoc Cranes, Inc. MAN-MER MODEL 888, 999 APP PMP	<small>JIB</small> ASSY #134 FOR #22EL
DECIMAL PLACES	FABRICATION	MACHINING																	
(1) PLACE	± 0.12	± 0.10																	
(2) PLACE	± 0.08	± 0.12																	
(3) PLACE	± 0.005	± 0.005																	
ANGLES	± 1° 30'	± 0° 30'																	

177062
SHT 2 OF 2