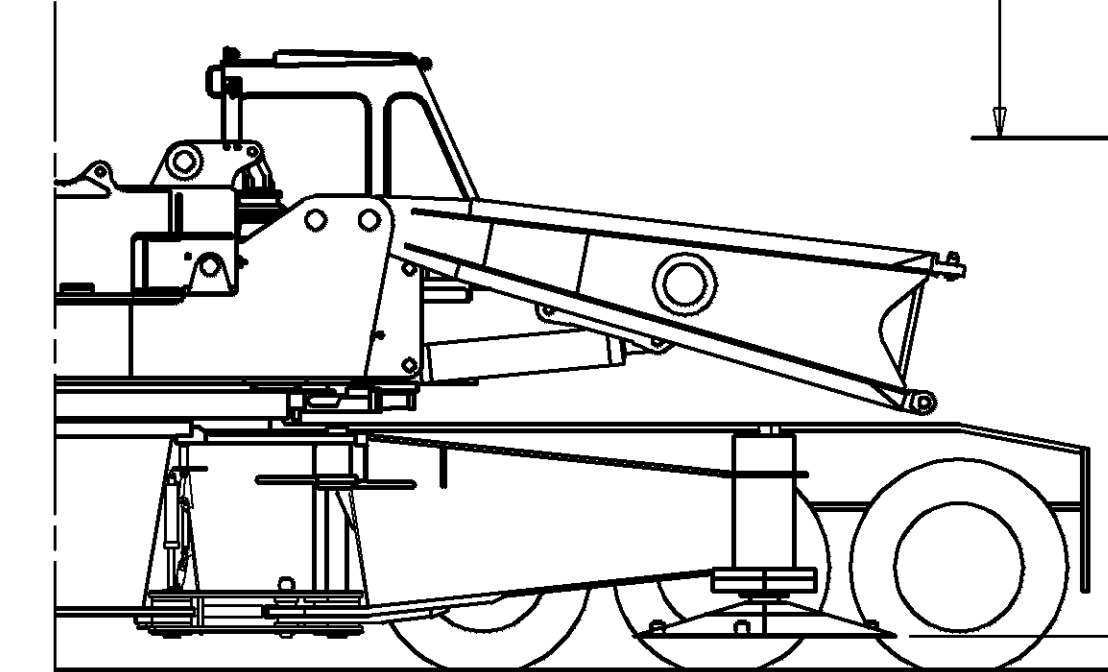
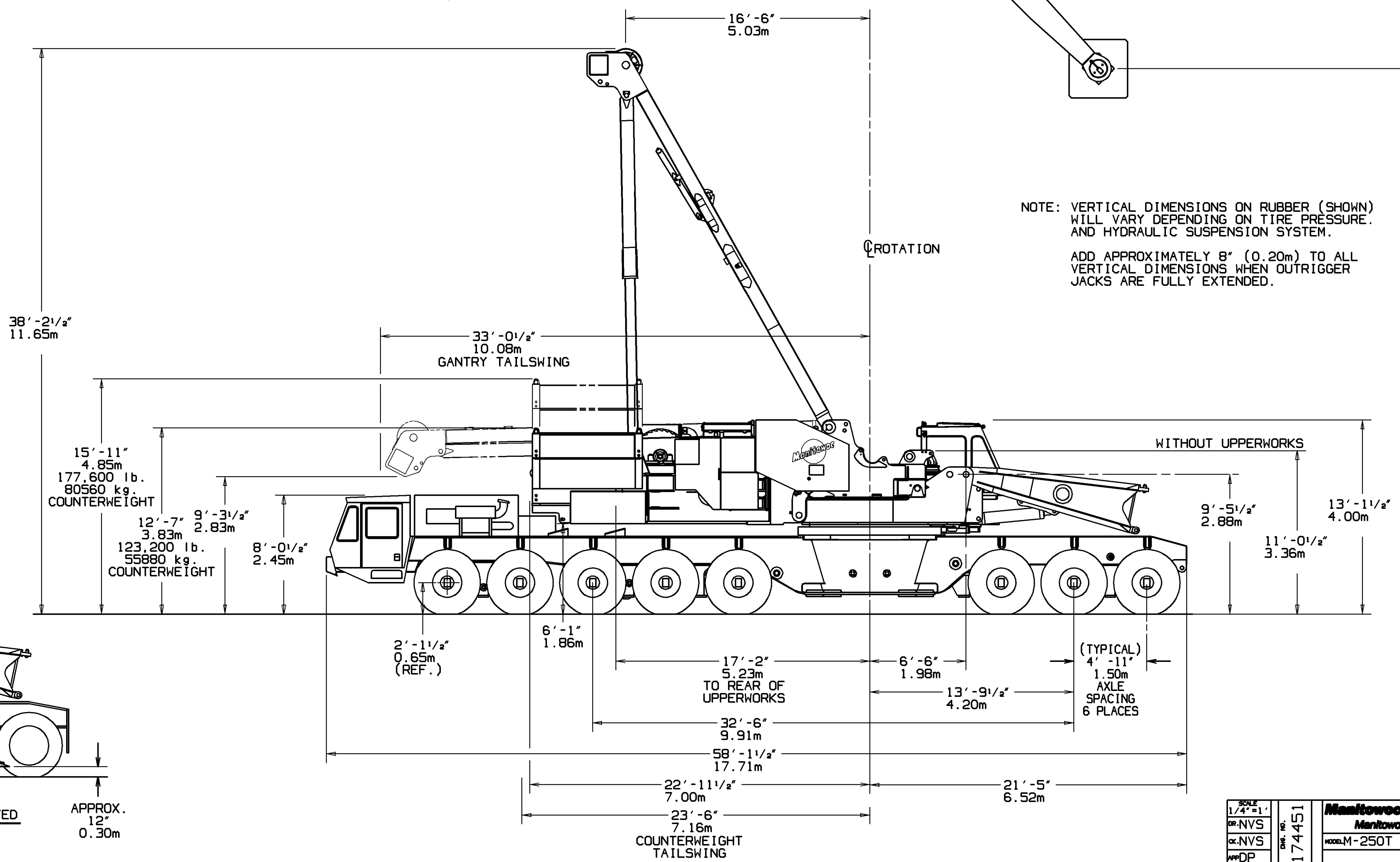
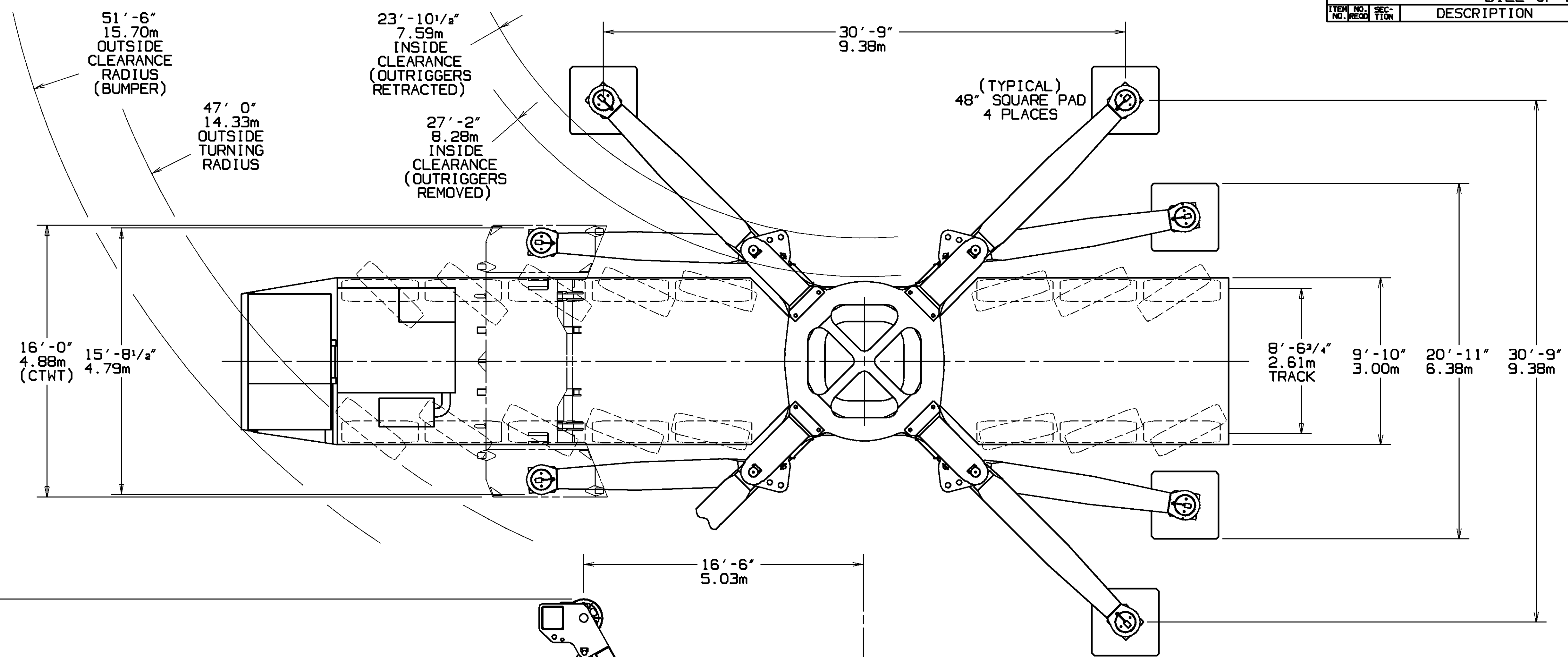


BILL OF MATERIAL				
ITEM NO.	SEC. NO.	DESCRIPTION	LENGTH IN.	MATERIAL

ASSEMBLIES USED ON

REVISIONS



APPROX. 12" 0.30m

SCALE	1/4" = 1'
DR.	NVS
CHK.	NVS
APP.	DP
REV.	174451

Mantowoc Cranes, Inc.	
Mantowoc, Wisconsin	
MODEL-M-250T	TRUCK CRANE
	OUTLINE DIMENSIONS

DATE	01-31-94
PATTERN NO.	
DWG. NO.	174451

DO NOT SCALE THIS DRAWING