

Liftcrane Luffing Jib Capacities

Luffing Jib No. 135 on Boom No. 74A
 46 000 kg Crane Counterweight
 0 kg Carbody Counterweight
 360 Degree Rating

MLC165-1 SERIES 1



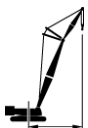
LIFTING CAPACITIES: Lifting capacities for various boom lengths, boom angles, luffing jib lengths, and luffing jib operating radii are for freely suspended loads and may be based on percent of static tipping or strength of structural components.

Luffing Jib Backward Stability: Capacities indicated by (b) require 1 280 kg minimum weight suspended beneath luffing jib point. Capacities indicated by (c) require 2 720 kg minimum weight suspended beneath luffing jib point. Capacities indicated by (d) require 4 990 kg minimum weight suspended beneath luffing jib point. **Caution: Do not luff into areas indicated by (b), (c), or (d) without required minimum weights.** Luffing jib will not luff down and luffing hoist wire rope may overhaul luffing jib and cause luffing hoist to go slack causing wire rope damage or failure.

Weight of all load blocks, hooks, weight ball, slings, hoist lines, etc., beneath boom and luffing jib point sheaves is considered part of luffing jib load. Boom and luffing jib are not to be lowered beyond radii where combined weights are greater than rated capacity. Where no capacity is shown, operation is not intended or approved.

OPERATING CONDITIONS: Machine to operate on a firm uniformly supporting surface and bearing turntable level within a tolerance of 13 mm in 3 m and properly supported. During operation, boom must be maintained at one of the selected angles shown in chart. Refer to Luffing Jib Assembly **No. 81042733**, Wire Rope Specification chart **No. 9420-A**, Luffing Jib Raising Procedure chart **No. 9418-A**, and Wind Conditions chart **No. 9419-A**. Crane operator judgment must be used to allow for dynamic load effects of swinging, hoisting or lowering, travel, wind conditions, as well as adverse operating conditions and physical machine depreciation. Refer to Operator's Manual for operating guidelines.

MACHINE TRAVEL: Machine to travel on a firm, level, and uniformly supporting surface. Boom and luffing jib must be within angle range shown in capacity chart. Refer to Maximum Allowable Travel Specification chart **No. 9417-A**.



OPERATING RADIUS: Operating radius is horizontal distance from axis of rotation to center of vertical hoist line or load block.



BOOM ANGLE: Boom angle in degrees ($^{\circ}$) is angle between horizontal and centerline of boom butt and inserts.

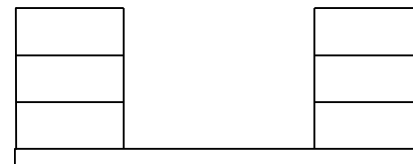


LUFFING JIB ANGLE: Luffing jib angle in degrees ($^{\circ}$) is angle between horizontal and centerline of luffing jib butt and inserts, and is an indication of operating radius. In all cases, operating radius shall govern capacity.



LUFFING JIB POINT ELEVATION: Luffing jib point elevation is vertical distance from ground level to centerline of luffing jib point shaft.

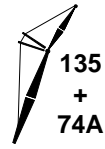
MACHINE EQUIPMENT: Machine equipped with 7 986 mm crawlers, 1 100 mm treads, 7 200 mm live mast, 18 part boom hoist reeving, boom support straps, 8 part luffing jib hoist reeving, two 38 mm luffing jib pendants and backstays, 46 000 kg crane counterweight, and 0 kg carbody counterweight.



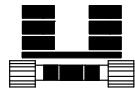
46 000 kg Crane Counterweight
 6 Side Boxes

WARNING: Free fall operation is limited to 5 900 kg per part of line when lowering load with free fall clutch/brake pedal. Hydraulic power must be used for full line pull.

Explanation of Symbols



Luffing Jib No. 135
+
Boom No. 74A



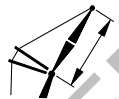
Crane Counterweight
+
Carbody Counterweight



360 Degree Rating



Boom Length



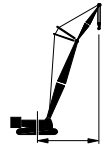
Luffing Jib Length



Boom Angle
(see page 1)

REFERENCE ONLY!

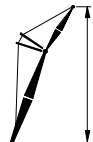
Explanation of Symbols (continued)



Operating Radius
(see page 1)



Luffing Jib Angle
(see page 1)



Luffing Jib Point Elevation
(see page 1)

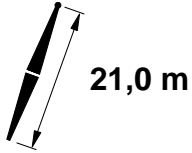
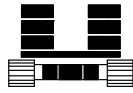
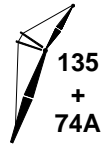


Lifting Capacities
(see page 1)

REFERENCE ONLY!

MLC165-1 S-1

ASME B30.5

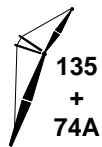


	87°			83°			80°			
	m	m	kg	m	m	kg	m	m	kg	
9,1	73,8	43,5	50 000 d							9,1
10,0	71,4	43,2	50 000 d							10,0
12,0	65,7	42,4	45 200 c							12,0
14,0	59,6	41,4	36 600 b	64,0	42,0	35 400 c				14,0
16,0	53,1	40,1	30 700 b	57,9	40,9	29 700 b	61,3	41,3	29 100 c	16,0
18,0	46,1	38,4	26 400	51,3	39,5	25 500 b	54,9	40,1	24 900 b	18,0
20,0	38,1	36,1	23 100	44,0	37,6	22 300	48,1	38,5	21 700 b	20,0
22,0	28,2	33,1	20 400	35,6	35,2	19 700	40,4	36,4	19 200	22,0
24,0	12,9	27,7	18 200	25,0	31,8	17 600	31,2	33,6	17 200	24,0
26,0										26,0
28,0										28,0
30,0										30,0
32,0										32,0

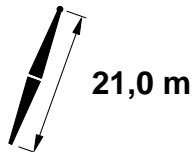
REFERENCE ONLY

MLC165-1 S-1

ASME B30.5



46 000 kg
+
0 kg

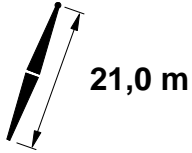
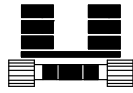
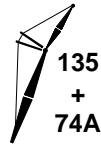





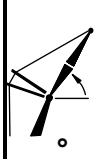
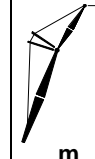



	75°			70°			65°			
	m	m	kg	m	m	kg	m	m	kg	m
9,1										9,1
10,0										10,0
12,0										12,0
14,0										14,0
16,0										16,0
18,0										18,0
20,0	54,2	39,5	20 800 b							20,0
22,0	47,2	37,8	18 400 b	53,3	38,6	17 600 b				22,0
24,0	39,4	35,7	16 400	46,3	37,0	15 700				24,0
26,0	30,0	32,8	14 800	38,3	34,8	14 100	45,0	35,9	13 400	26,0
28,0				28,5	31,7	12 800	36,8	33,6	12 200	28,0
30,0				13,4	26,5	11 600	26,6	30,3	11 100	30,0
32,0							8,8	24,1	10 100	32,0

REFERENCE ONLY

MLC165-1 S-1

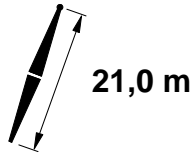
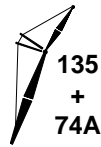
ASME B30.5



	87°			83°			80°			
	 m	 m	 kg	 m	 kg	 m	 kg	 m		
9,8	74,4	46,5	47 100 d					9,8		
10,0	73,8	46,4	47 100 d					10,0		
12,0	68,9	45,7	44 700 c					12,0		
14,0	63,7	44,8	36 500 b	67,5	45,3	35 400 c		14,0		
16,0	58,3	43,7	30 600 b	62,3	44,4	29 600 b	65,1	44,7	29 000 c	16,0
18,0	52,6	42,4	26 300	56,8	43,2	25 400 b	59,8	43,7	24 700 b	18,0
20,0	46,5	40,7	23 000	51,0	41,8	22 200	54,2	42,4	21 600 b	20,0
22,0	39,6	38,5	20 300	44,7	39,9	19 600	48,2	40,8	19 100	22,0
24,0	31,5	35,7	18 200	37,5	37,7	17 500	41,5	38,8	17 100	24,0
26,0	20,8	31,6	16 400	28,9	34,6	15 800	33,8	36,2	15 400	26,0
28,0				16,8	29,9	14 300	24,1	32,6	13 900	28,0
30,0										30,0
32,0										32,0
34,0										34,0

MLC165-1 S-1

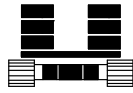
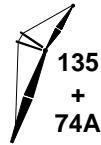
ASME B30.5



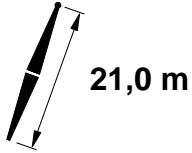
	75°			70°			65°			
	m	m	kg	m	m	kg	m	m	kg	
9,8										9,8
10,0										10,0
12,0										12,0
14,0										14,0
16,0										16,0
18,0										18,0
20,0	59,2	43,1	20 600 b							20,0
22,0	53,6	41,8	18 200 b							22,0
24,0	47,5	40,1	16 300	52,8	41,0	15 500				24,0
26,0	40,7	38,1	14 700	46,6	39,3	14 000				26,0
28,0	32,9	35,4	13 300	39,7	37,1	12 700	51,8	39,9	13 300	28,0
30,0	22,8	31,6	12 100	31,7	34,3	11 500	45,5	38,2	12 000	30,0
32,0				21,1	30,3	10 600	38,5	36,0	11 000	32,0
34,0							30,2	33,0	10 000	34,0
							18,8	28,6	9 200	34,0

MLC165-1 S-1

ASME B30.5



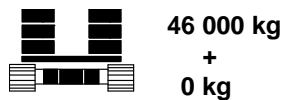
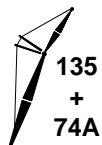
46 000 kg
+
0 kg


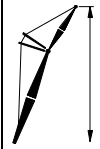


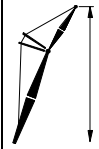


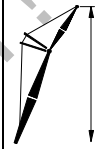



	87°			83°			80°			
	m	m	kg	m	m	kg	m	m	kg	m
10,4	74,9	49,5	42 500 d							10,4
12,0	71,3	49,0	40 700 c							12,0
14,0	66,8	48,2	36 700 b	70,1	48,6	35 300 c				14,0
16,0	62,2	47,2	30 600 b	65,6	47,8	29 500 b				16,0
18,0	57,4	46,1	26 300	60,9	46,8	25 400 b	63,5	47,1	24 700 b	18,0
20,0	52,2	44,7	22 900	56,0	45,5	22 100	58,7	46,0	21 500 b	20,0
22,0	46,7	43,0	20 300	50,8	44,1	19 600	53,7	44,7	19 000	22,0
24,0	40,7	40,9	18 100	45,2	42,3	17 500	48,3	43,1	17 000	24,0
26,0	33,8	38,2	16 400	38,9	40,0	15 800	42,4	41,1	15 300	26,0
28,0	25,3	34,7	14 800	31,7	37,2	14 300	35,8	38,6	13 900	28,0
30,0	12,4	28,8	13 500	22,5	33,3	13 100	27,8	35,4	12 700	30,0
32,0				4,7	25,0	11 900	16,8	30,5	11 600	32,0
34,0										34,0
36,0										36,0
38,0										38,0

MLC165-1 S-1

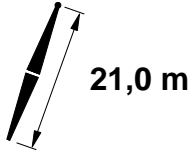
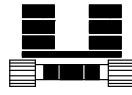
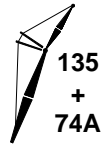
ASME B30.5



	75°			70°			65°			
	 m	 m	 kg	 m	 m	 kg	 m	 m	 kg	
10,4										10,4
12,0										12,0
14,0										14,0
16,0										16,0
18,0										18,0
20,0										20,0
22,0	58,1	45,4	18 200 b							22,0
24,0	53,1	44,1	16 200							24,0
26,0	47,6	42,4	14 600	52,4	43,3	13 900				26,0
28,0	41,7	40,4	13 300	46,9	41,6	12 600				28,0
30,0	35,0	37,9	12 100	40,8	39,5	11 500	51,5	42,2	12 000	30,0
32,0	26,8	34,5	11 100	34,0	36,9	10 500	45,9	40,5	10 900	32,0
34,0				25,5	33,4	9 700	39,8	38,3	10 000	34,0
36,0				12,8	27,6	8 900	32,7	35,6	9 200	36,0
38,0							23,9	31,9	8 400	38,0
							9,1	25,1	7 800	

MLC165-1 S-1

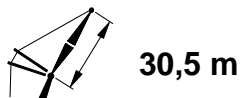
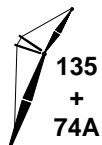
ASME B30.5



m	87°			83°			80°			m
	m	m	kg	m	m	kg	m	m	kg	
11,6	74,0	52,3	37 500 c							11,6
12,0	73,2	52,2	37 000 c							12,0
14,0	69,3	51,5	34 600 b							14,0
16,0	65,2	50,6	30 800 b	68,2	51,1	29 500 b				16,0
18,0	61,0	49,6	26 200	64,0	50,2	25 200 b				18,0
20,0	56,6	48,4	22 800	59,8	49,1	22 000	62,1	49,5	21 400 b	20,0
22,0	51,9	47,0	20 200	55,3	47,9	19 500	57,8	48,4	18 900	22,0
24,0	47,0	45,3	18 100	50,6	46,4	17 400	53,2	47,0	16 900	24,0
26,0	41,6	43,2	16 300	45,6	44,6	15 700	48,3	45,4	15 200	26,0
28,0	35,6	40,7	14 800	40,0	42,4	14 200	43,1	43,4	13 800	28,0
30,0	28,5	37,5	13 500	33,8	39,7	13 000	37,3	41,1	12 600	30,0
32,0	19,1	33,0	12 300	26,2	36,3	11 900	30,5	38,1	11 500	32,0
34,0				15,7	31,1	10 900	22,0	34,0	10 600	34,0
36,0										36,0
38,0										38,0
40,0										40,0

MLC165-1 S-1

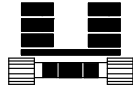
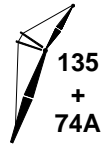
ASME B30.5



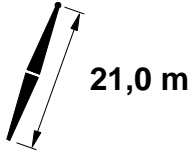
m	75°			70°			65°			m
	m	m	kg	m	m	kg	m	m	kg	
11,6										11,6
12,0										12,0
14,0										14,0
16,0										16,0
18,0										18,0
20,0										20,0
22,0										22,0
24,0	57,3	47,8	16 100							24,0
26,0	52,7	46,4	14 500	56,7	47,0	13 700				26,0
28,0	47,8	44,7	13 100	52,0	45,6	12 400				28,0
30,0	42,5	42,7	12 000	47,1	43,9	11 300				30,0
32,0	36,6	40,3	11 000	41,7	41,8	10 400	46,2	42,8	9 800	32,0
34,0	29,7	37,2	10 100	35,7	39,3	9 500	40,8	40,7	9 000	34,0
36,0	20,9	33,0	9 300	28,6	36,1	8 800	34,6	38,1	8 300	36,0
38,0				19,4	31,7	8 100	27,3	34,8	7 700	38,0
40,0							17,4	29,9	7 100	40,0

MLC165-1 S-1

ASME B30.5



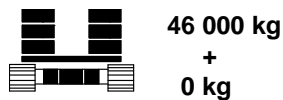
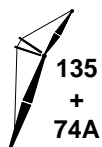
46 000 kg
+
0 kg



m	87°			83°			80°			m
	m	m	kg	m	m	kg	m	m	kg	
12,2	74,4	55,3	34 200 c							12,2
14,0	71,2	54,7	32 600 b							14,0
16,0	67,6	54,0	30 300 b							16,0
18,0	63,8	53,1	26 200	66,6	53,6	25 200 b				18,0
20,0	59,9	52,0	22 800	62,8	52,6	22 000	64,8	53,0	21 400	20,0
22,0	55,9	50,7	20 200	58,9	51,5	19 400	61,0	51,9	18 900	22,0
24,0	51,7	49,3	18 000	54,8	50,2	17 400	57,0	50,7	16 900	24,0
26,0	47,2	47,6	16 300	50,5	48,7	15 700	52,8	49,3	15 200	26,0
28,0	42,3	45,5	14 800	45,9	46,9	14 200	48,4	47,7	13 800	28,0
30,0	36,9	43,1	13 500	40,9	44,8	13 000	43,7	45,7	12 600	30,0
32,0	30,8	40,2	12 400	35,4	42,2	11 900	38,4	43,5	11 600	32,0
34,0	23,3	36,2	11 400	28,9	39,0	11 000	32,6	40,6	10 600	34,0
36,0	12,0	29,9	10 500	20,8	34,7	10 100	25,5	37,0	9 800	36,0
38,0				6,1	26,3	9 300	15,8	31,7	9 100	38,0
40,0										40,0
42,0										42,0
44,0										44,0

MLC165-1 S-1

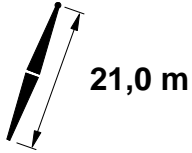
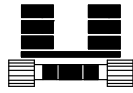
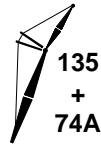
ASME B30.5











m	75°			70°			65°			m
	m	m	kg	m	m	kg	m	m	kg	
12,2										12,2
14,0										14,0
16,0										16,0
18,0										18,0
20,0										20,0
22,0										22,0
24,0	60,6	51,3	16 100							24,0
26,0	56,5	50,1	14 500							26,0
28,0	52,3	48,7	13 100	56,0	49,3	12 400				28,0
30,0	47,9	47,0	12 000	51,8	47,9	11 300				30,0
32,0	43,1	45,1	11 000	47,3	46,2	10 400	51,0	46,9	9 800	32,0
34,0	37,8	42,7	10 100	42,4	44,2	9 500	46,5	45,1	9 000	34,0
36,0	31,8	39,8	9 300	37,1	41,8	8 800	41,6	43,0	8 300	36,0
38,0	24,6	36,1	8 600	31,0	38,8	8 200	36,1	40,5	7 700	38,0
40,0				23,5	34,9	7 600	29,8	37,5	7 100	40,0
42,0				12,3	28,7	7 000	22,0	33,4	6 600	42,0
44,0							9,3	26,2	6 100	44,0

MLC165-1 S-1

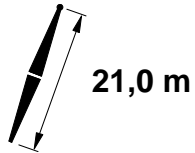
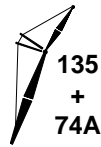
ASME B30.5



	87°			83°			80°			
	 m	 m	 kg	 m	 kg	 m	 kg	 m		
13,7	73,3	58,0	30 500 b						13,7	
14,0	72,8	57,9	30 200 b						14,0	
16,0	69,5	57,2	28 700 b						16,0	
18,0	66,1	56,4	26 100	68,6	56,9	25 100 b			18,0	
20,0	62,7	55,5	22 700	65,2	56,0	21 900			20,0	
22,0	59,1	54,4	20 100	61,7	55,0	19 300	67,1	56,3	21 300	22,0
24,0	55,3	53,1	17 900	58,1	53,8	17 300	63,6	55,4	18 800	24,0
26,0	51,4	51,6	16 200	54,3	52,5	15 500	60,1	54,3	16 700	26,0
28,0	47,3	49,9	14 700	50,3	51,0	14 100	56,4	53,1	15 100	28,0
30,0	42,9	47,9	13 400	46,1	49,2	12 900	52,5	51,6	13 700	30,0
32,0	38,1	45,5	12 300	41,6	47,1	11 800	48,5	50,0	12 500	32,0
34,0	32,6	42,7	11 300	36,7	44,6	10 900	44,1	48,1	11 400	34,0
36,0	26,3	39,2	10 500	31,0	41,7	10 000	39,4	45,8	10 500	36,0
38,0	17,9	34,2	9 700	24,3	37,8	9 300	34,2	43,2	9 700	38,0
40,0				14,9	32,2	8 600	28,1	39,8	9 000	40,0
42,0							20,5	35,4	8 400	42,0
44,0										44,0
46,0										46,0

MLC165-1 S-1

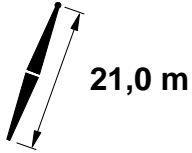
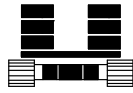
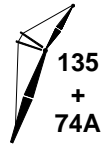
ASME B30.5



	75°			70°			65°			
	m	m	kg	m	m	kg	m	m	kg	m
13,7										13,7
14,0										14,0
16,0										16,0
18,0										18,0
20,0										20,0
22,0										22,0
24,0										24,0
26,0	59,6	53,7	14 300							26,0
28,0	55,9	52,5	13 000							28,0
30,0	52,1	51,0	11 800	55,4	51,7	11 200				30,0
32,0	48,0	49,3	10 800	51,5	50,2	10 200				32,0
34,0	43,6	47,4	10 000	47,4	48,5	9 400	50,9	49,2	8 900	34,0
36,0	38,9	45,1	9 200	43,0	46,5	8 700	46,7	47,4	8 200	36,0
38,0	33,5	42,4	8 500	38,2	44,1	8 000	42,2	45,4	7 500	38,0
40,0	27,4	39,0	7 900	32,8	41,3	7 400	37,3	43,0	7 000	40,0
42,0	19,5	34,3	7 300	26,4	37,8	6 900	31,8	40,1	6 500	42,0
44,0				18,2	32,9	6 400	25,2	36,4	6 000	44,0
46,0							16,4	31,1	5 600	46,0

MLC165-1 S-1

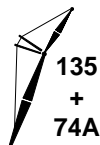
ASME B30.5



m	87°			83°			80°			m
	m	m	kg	m	m	kg	m	m	kg	
13,7	74,6	61,2	23 600 b							13,7
14,0	74,2	61,1	23 500 b							14,0
16,0	71,2	60,5	22 900 b							16,0
18,0	68,1	59,7	22 300							18,0
20,0	64,9	58,9	21 700	67,2	59,3	21 900				20,0
22,0	61,7	57,9	20 100	64,0	58,4	19 200	65,8	58,7	18 700	22,0
24,0	58,3	56,7	17 800	60,8	57,4	17 200	62,6	57,8	16 600	24,0
26,0	54,9	55,4	16 100	57,4	56,2	15 500	59,3	56,7	15 000	26,0
28,0	51,3	53,9	14 600	53,9	54,8	14 000	55,8	55,4	13 600	28,0
30,0	47,4	52,2	13 300	50,2	53,3	12 800	52,2	53,9	12 400	30,0
32,0	43,4	50,2	12 200	46,4	51,5	11 700	48,5	52,3	11 300	32,0
34,0	39,0	47,9	11 200	42,2	49,4	10 800	44,5	50,4	10 400	34,0
36,0	34,1	45,2	10 400	37,7	47,0	10 000	40,2	48,2	9 600	36,0
38,0	28,6	41,9	9 600	32,7	44,2	9 200	35,5	45,6	8 900	38,0
40,0	21,8	37,7	9 000	26,9	40,7	8 600	30,2	42,5	8 300	40,0
42,0	11,7	31,0	8 300	19,5	36,1	8 000	23,8	38,6	7 700	42,0
44,0				6,9	27,5	7 400	15,1	32,9	7 200	44,0
46,0										46,0
48,0										48,0
50,0										50,0

MLC165-1 S-1

ASME B30.5



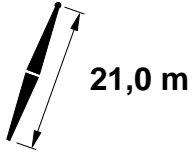
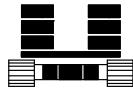
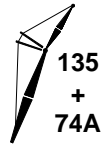
46 000 kg
+
0 kg



m	75°			70°			65°			m
	m	m	kg	m	m	kg	m	m	kg	
13,7										13,7
14,0										14,0
16,0										16,0
18,0										18,0
20,0										20,0
22,0										22,0
24,0										24,0
26,0	62,2	57,2	14 200							26,0
28,0	58,9	56,1	12 900							28,0
30,0	55,4	54,8	11 700							30,0
32,0	51,8	53,3	10 700	55,0	54,0	10 100				32,0
34,0	48,1	51,6	9 900	51,3	52,5	9 300				34,0
36,0	44,0	49,7	9 100	47,5	50,8	8 600	50,7	51,5	8 100	36,0
38,0	39,7	47,5	8 400	43,5	48,8	7 900	46,9	49,7	7 500	38,0
40,0	34,9	44,8	7 800	39,1	46,5	7 400	42,8	47,7	6 900	40,0
42,0	29,5	41,7	7 300	34,2	43,8	6 800	38,3	45,4	6 400	42,0
44,0	23,0	37,6	6 800	28,7	40,6	6 400	33,4	42,6	5 900	44,0
46,0				21,9	36,3	5 900	27,7	39,2	5 500	46,0
48,0				12,0	29,8	5 500	20,6	34,7	5 100	48,0
50,0							9,5	27,3	4 800	50,0

MLC165-1 S-1

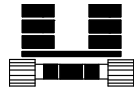
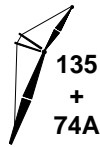
ASME B30.5



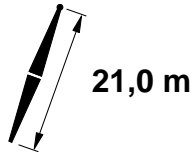
m	87°			83°			80°			m
	m	m	kg	m	m	kg	m	m	kg	
15,2	73,6	63,9	21 700 b							15,2
16,0	72,5	63,7	21 400 b							16,0
18,0	69,7	63,0	20 900							18,0
20,0	66,8	62,2	20 300	68,9	62,6	20 800				20,0
22,0	63,9	61,3	19 200	66,0	61,8	19 200				22,0
24,0	60,8	60,2	17 800	63,0	60,8	17 000	64,7	61,2	16 500	24,0
26,0	57,7	59,1	16 000	60,0	59,8	15 300	61,7	60,2	14 900	26,0
28,0	54,5	57,7	14 500	56,8	58,5	13 900	58,6	59,0	13 500	28,0
30,0	51,1	56,2	13 200	53,6	57,1	12 700	55,4	57,7	12 300	30,0
32,0	47,6	54,5	12 100	50,2	55,6	11 600	52,0	56,2	11 200	32,0
34,0	43,8	52,5	11 100	46,6	53,8	10 700	48,5	54,6	10 300	34,0
36,0	39,8	50,3	10 300	42,7	51,8	9 900	44,8	52,7	9 500	36,0
38,0	35,4	47,7	9 500	38,6	49,4	9 100	40,9	50,5	8 800	38,0
40,0	30,4	44,6	8 900	34,1	46,7	8 500	36,6	48,0	8 200	40,0
42,0	24,6	40,7	8 200	28,9	43,5	7 900	31,8	45,1	7 600	42,0
44,0	17,0	35,5	7 700	22,8	39,3	7 300	26,3	41,5	7 100	44,0
46,0				14,3	33,4	6 800	19,4	36,8	6 600	46,0
48,0										48,0
50,0										50,0
52,0										52,0

MLC165-1 S-1

ASME B30.5



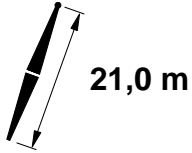
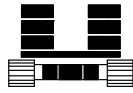
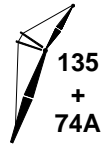
46 000 kg
+
0 kg



m	75°			70°			65°			m
	m	m	kg	m	m	kg	m	m	kg	
15,2										15,2
16,0										16,0
18,0										18,0
20,0										20,0
22,0										22,0
24,0										24,0
26,0										26,0
28,0	61,3	59,6	12 700							28,0
30,0	58,2	58,4	11 600							30,0
32,0	55,0	57,1	10 600	57,8	57,6	10 000				32,0
34,0	51,6	55,6	9 700	54,5	56,3	9 200				34,0
36,0	48,1	53,9	9 000	51,2	54,8	8 400				36,0
38,0	44,4	52,0	8 300	47,6	53,1	7 800				38,0
40,0	40,4	49,8	7 700	43,9	51,1	7 200	47,0	52,0	6 800	40,0
42,0	36,1	47,3	7 200	39,9	48,9	6 700	43,2	50,0	6 300	42,0
44,0	31,2	44,3	6 700	35,5	46,3	6 200	39,2	47,7	5 800	44,0
46,0	25,6	40,6	6 200	30,5	43,2	5 800	34,7	45,1	5 400	46,0
48,0	18,4	35,6	5 800	24,7	39,4	5 400	29,7	41,9	5 000	48,0
50,0				17,2	34,2	5 000	23,7	37,9	4 700	50,0
52,0							15,7	32,3	4 300	52,0

MLC165-1 S-1

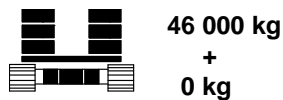
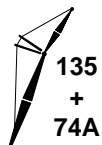
ASME B30.5


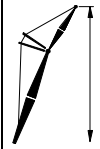


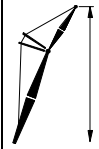


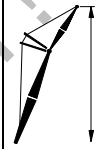



m	87°			83°			80°			m
	m	m	kg	m	m	kg	m	m	kg	
15,2	74,7	67,1	20 300 b							15,2
16,0	73,7	66,9	20 100 b							16,0
18,0	71,1	66,2	19 600							18,0
20,0	68,4	65,5	18 700	70,4	65,9	19 500				20,0
22,0	65,7	64,7	17 700	67,7	65,1	18 500				22,0
24,0	62,9	63,7	16 800	65,0	64,2	17 100				24,0
26,0	60,1	62,6	15 800	62,2	63,2	15 300	63,7	63,6	14 800	26,0
28,0	57,2	61,4	14 400	59,3	62,1	13 800	60,9	62,5	13 400	28,0
30,0	54,1	60,0	13 200	56,3	60,9	12 600	58,0	61,4	12 200	30,0
32,0	51,0	58,5	12 100	53,3	59,4	11 600	54,9	60,0	11 200	32,0
34,0	47,7	56,8	11 100	50,1	57,9	10 600	51,8	58,5	10 300	34,0
36,0	44,2	54,8	10 300	46,7	56,1	9 800	48,6	56,9	9 500	36,0
38,0	40,4	52,6	9 500	43,2	54,1	9 100	45,1	55,0	8 800	38,0
40,0	36,4	50,1	8 800	39,4	51,8	8 400	41,5	52,9	8 100	40,0
42,0	31,9	47,2	8 200	35,2	49,2	7 900	37,5	50,5	7 600	42,0
44,0	26,8	43,6	7 700	30,6	46,1	7 300	33,2	47,6	7 100	44,0
46,0	20,6	39,1	7 200	25,3	42,3	6 800	28,3	44,3	6 600	46,0
48,0	11,5	32,1	6 700	18,6	37,4	6 400	22,4	40,1	6 200	48,0
50,0				7,4	28,7	6 000	14,5	34,1	5 800	50,0
52,0										52,0
54,0										54,0
56,0										56,0

MLC165-1 S-1

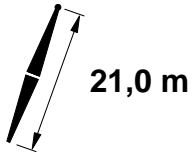
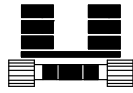
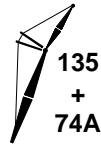
ASME B30.5




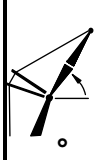
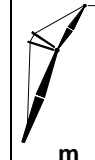





	75°			70°			65°			
										
	m	m	kg	m	m	kg	m	kg	m	
15,2									15,2	
16,0									16,0	
18,0									18,0	
20,0									20,0	
22,0									22,0	
24,0									24,0	
26,0									26,0	
28,0									28,0	
30,0	60,5	62,0	11 500						30,0	
32,0	57,6	60,8	10 600						32,0	
34,0	54,6	59,4	9 700	57,2	60,0	9 100			34,0	
36,0	51,5	57,9	8 900	54,2	58,6	8 400			36,0	
38,0	48,2	56,2	8 300	51,0	57,1	7 800			38,0	
40,0	44,7	54,3	7 700	47,7	55,4	7 200	50,5	56,1	40,0	
42,0	41,0	52,2	7 100	44,2	53,4	6 700	47,2	54,3	42,0	
44,0	37,1	49,7	6 600	40,5	51,2	6 200	43,6	52,3	44,0	
46,0	32,7	46,8	6 200	36,5	48,7	5 800	39,9	50,1	46,0	
48,0	27,7	43,4	5 800	32,0	45,8	5 400	35,8	47,5	48,0	
50,0	21,7	39,0	5 400	27,0	42,3	5 000	31,3	44,5	50,0	
52,0				20,8	37,7	4 700	26,0	40,8	52,0	
54,0				11,8	30,9	4 400	19,6	36,1	54,0	
56,0							9,6	28,4	56,0	

MLC165-1 S-1

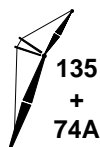
ASME B30.5



	87°			83°			80°			
	 m	 m	 kg	 m	 kg	 m	 kg	 m		
16,8	73,9	69,8	18 500 b						16,8	
18,0	72,3	69,4	18 100						18,0	
20,0	69,9	68,8	17 200						20,0	
22,0	67,3	68,0	16 200	69,2	68,4	16 900			22,0	
24,0	64,8	67,1	15 300	66,6	67,6	16 000			24,0	
26,0	62,1	66,1	14 400	64,0	66,7	15 100	65,5	67,0	14 700	26,0
28,0	59,4	65,0	13 500	61,4	65,6	13 700	62,8	66,0	13 300	28,0
30,0	56,7	63,7	12 700	58,7	64,5	12 500	60,2	64,9	12 100	30,0
32,0	53,8	62,3	12 000	55,9	63,2	11 400	57,4	63,7	11 100	32,0
34,0	50,8	60,8	11 000	53,0	61,8	10 500	54,6	62,4	10 200	34,0
36,0	47,7	59,1	10 200	50,0	60,2	9 700	51,7	60,9	9 400	36,0
38,0	44,5	57,1	9 400	46,9	58,4	9 000	48,6	59,2	8 700	38,0
40,0	41,0	55,0	8 700	43,6	56,4	8 300	45,4	57,3	8 000	40,0
42,0	37,3	52,5	8 100	40,0	54,2	7 700	42,0	55,2	7 500	42,0
44,0	33,2	49,7	7 600	36,2	51,6	7 200	38,3	52,8	7 000	44,0
46,0	28,7	46,4	7 100	32,0	48,7	6 700	34,4	50,1	6 500	46,0
48,0	23,3	42,3	6 600	27,3	45,2	6 300	29,9	46,9	6 100	48,0
50,0	16,3	36,7	6 200	21,6	40,8	5 900	24,8	43,1	5 700	50,0
52,0				13,9	34,5	5 500	18,5	38,0	5 300	52,0
54,0										54,0
56,0										56,0
58,0										58,0

MLC165-1 S-1

ASME B30.5



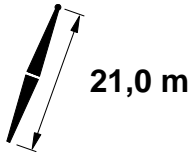
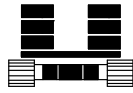
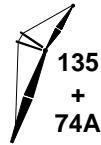
46 000 kg
+
0 kg



m	75°			70°			65°			m
	m	m	kg	m	m	kg	m	m	kg	
16,8										16,8
18,0										18,0
20,0										20,0
22,0										22,0
24,0										24,0
26,0										26,0
28,0										28,0
30,0										30,0
32,0	59,9	64,3	10 400							32,0
34,0	57,1	63,1	9 600							34,0
36,0	54,3	61,7	8 800							36,0
38,0	51,3	60,2	8 100	53,9	60,9	7 600				38,0
40,0	48,2	58,5	7 500	50,9	59,4	7 000				40,0
42,0	45,0	56,6	7 000	47,8	57,7	6 500	50,4	58,4	6 100	42,0
44,0	41,6	54,5	6 500	44,6	55,8	6 100	47,3	56,6	5 600	44,0
46,0	37,9	52,1	6 100	41,1	53,6	5 600	44,0	54,7	5 200	46,0
48,0	33,9	49,3	5 600	37,4	51,1	5 300	40,5	52,5	4 900	48,0
50,0	29,4	46,1	5 300	33,3	48,3	4 900	36,7	50,0	4 500	50,0
52,0	24,2	42,1	4 900	28,8	45,0	4 600	32,6	47,1	4 200	52,0
54,0	17,6	36,9	4 600	23,4	40,9	4 300	27,9	43,6	3 900	54,0
56,0				16,5	35,4	4 000	22,4	39,4	3 600	56,0
58,0							15,1	33,5	3 400	58,0

MLC165-1 S-1

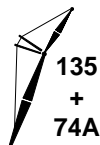
ASME B30.5



	87°			83°			80°			
	m	m	kg	m	m	kg	m	m	kg	
16,8	74,8	73,0	17 200 b							16,8
18,0	73,4	72,6	16 700							18,0
20,0	71,1	72,0	15 800							20,0
22,0	68,7	71,3	14 900							22,0
24,0	66,3	70,4	14 000	68,1	70,9	14 700				24,0
26,0	63,9	69,5	13 200	65,7	70,0	13 800	67,0	70,3	14 200	26,0
28,0	61,4	68,5	12 400	63,2	69,1	13 000	64,6	69,4	13 200	28,0
30,0	58,9	67,3	11 600	60,7	68,0	12 200	62,1	68,4	12 000	30,0
32,0	56,2	66,1	10 900	58,2	66,8	11 300	59,6	67,3	11 000	32,0
34,0	53,5	64,6	10 200	55,5	65,5	10 400	57,0	66,0	10 100	34,0
36,0	50,7	63,1	9 500	52,8	64,1	9 600	54,3	64,7	9 300	36,0
38,0	47,8	61,4	8 900	50,0	62,5	8 900	51,5	63,2	8 600	38,0
40,0	44,8	59,5	8 300	47,0	60,7	8 200	48,6	61,5	7 900	40,0
42,0	41,5	57,3	7 800	43,9	58,7	7 700	45,6	59,6	7 400	42,0
44,0	38,1	54,9	7 300	40,6	56,5	7 100	42,4	57,6	6 900	44,0
46,0	34,3	52,2	6 800	37,1	54,0	6 700	39,0	55,2	6 400	46,0
48,0	30,2	49,0	6 200	33,2	51,2	6 200	35,4	52,6	6 000	48,0
50,0	25,4	45,2	5 700	29,0	47,9	5 800	31,3	49,6	5 600	50,0
52,0	19,7	40,4	5 200	24,0	43,9	5 400	26,8	46,0	5 200	52,0
54,0	11,4	33,2	4 700	17,8	38,6	5 100	21,4	41,5	4 900	54,0
56,0				7,8	29,8	4 700	14,1	35,2	4 600	56,0
58,0										58,0
60,0										60,0
62,0										62,0

MLC165-1 S-1

ASME B30.5



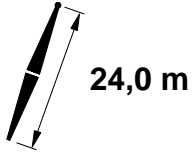
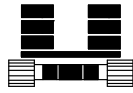
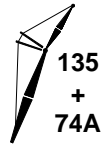
46 000 kg
+
0 kg



m	75°			70°			65°			m
	m	m	kg	m	m	kg	m	m	kg	
16,8										16,8
18,0										18,0
20,0										20,0
22,0										22,0
24,0										24,0
26,0										26,0
28,0										28,0
30,0										30,0
32,0	61,8	67,8	10 300							32,0
34,0	59,3	66,7	9 500							34,0
36,0	56,7	65,4	8 700							36,0
38,0	54,0	64,1	8 000							38,0
40,0	51,2	62,5	7 400	53,6	63,2	6 900				40,0
42,0	48,3	60,8	6 900	50,8	61,7	6 400				42,0
44,0	45,2	58,9	6 400	47,9	60,0	6 000	50,3	60,7	5 500	44,0
46,0	42,0	56,8	6 000	44,8	58,1	5 500	47,4	58,9	5 100	46,0
48,0	38,6	54,5	5 600	41,6	55,9	5 200	44,3	57,0	4 800	48,0
50,0	34,9	51,8	5 200	38,1	53,5	4 800	41,0	54,8	4 400	50,0
52,0	30,9	48,7	4 800	34,4	50,8	4 500	37,5	52,4	4 100	52,0
54,0	26,2	45,0	4 500	30,3	47,7	4 200	33,7	49,6	3 800	54,0
56,0	20,7	40,4	4 200	25,5	43,9	3 900	29,5	46,3	3 600	56,0
58,0				19,8	39,1	3 600	24,7	42,4	3 300	58,0
60,0				11,6	32,0	3 400	18,7	37,4	3 100	60,0
62,0							9,6	29,5	2 800	62,0

MLC165-1 S-1

ASME B30.5

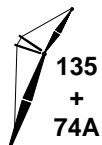


	87°			83°			80°			
	m	m	kg	m	m	kg	m	m	kg	
9,1	74,3	46,5	49 900 d							9,1
10,0	71,9	46,2	49 900 d							10,0
12,0	66,1	45,5	45 200 c							12,0
14,0	60,1	44,5	36 600 b	65,1	45,1	35 200 c				14,0
16,0	53,7	43,2	30 700 b	59,0	44,1	29 500 b	62,8	44,5	28 800 c	16,0
18,0	46,7	41,5	26 400	52,5	42,7	25 400 b	56,6	43,4	24 600 b	18,0
20,0	38,7	39,3	23 000	45,4	41,0	22 200	49,9	41,9	21 500 b	20,0
22,0	29,1	36,3	20 400	37,3	38,7	19 600	42,5	40,0	19 000	22,0
24,0	14,7	31,4	18 200	27,2	35,5	17 500	33,8	37,4	17 000	24,0
26,0							22,3	33,6	15 300	26,0
28,0										28,0
30,0										30,0
32,0										32,0

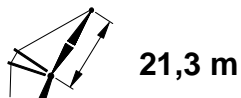
REFERENCE ONLY

MLC165-1 S-1

ASME B30.5



46 000 kg
+
0 kg

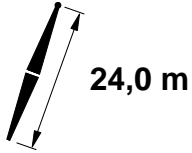
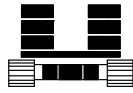
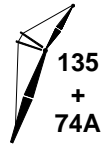





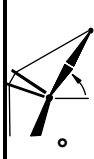
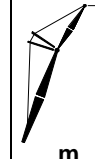



	75°			70°			65°			
m	m	m	kg	m	m	kg	m	m	kg	m
9,1										9,1
10,0										10,0
12,0										12,0
14,0										14,0
16,0										16,0
18,0										18,0
20,0	56,7	42,9	20 400 b							20,0
22,0	50,0	41,4	18 000 b							22,0
24,0	42,6	39,5	16 100	49,9	40,7	15 300 b				24,0
26,0	33,9	36,9	14 500	42,5	38,8	13 700				26,0
28,0	22,5	33,2	13 100	33,8	36,2	12 400	49,6	39,7	12 900 b	28,0
30,0				22,4	32,5	11 300	33,4	35,2	10 700	30,0
32,0							21,7	31,4	9 800	32,0

REFERENCE ONLY

MLC165-1 S-1

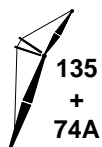
ASME B30.5



	87°			83°			80°			
	 m	 m	 kg	 m	 kg	 m	 kg	 m		
9,8	74,8	49,5	45 600 d						9,8	
10,0	74,2	49,4	45 600 d						10,0	
12,0	69,2	48,8	44 700 c						12,0	
14,0	64,1	47,9	36 500 b	68,4	48,4	35 200 c			14,0	
16,0	58,8	46,8	30 600 b	63,2	47,5	29 400 b			16,0	
18,0	53,1	45,5	26 300	57,8	46,4	25 300 b	61,2	46,9	24 500 b	18,0
20,0	47,0	43,8	23 000	52,1	45,0	22 100	55,7	45,7	21 400 b	20,0
22,0	40,1	41,7	20 300	45,9	43,3	19 500	49,8	44,2	18 900	22,0
24,0	32,2	38,9	18 200	38,9	41,1	17 400	43,3	42,3	16 900	24,0
26,0	21,8	35,0	16 400	30,7	38,2	15 700	35,9	39,9	15 200	26,0
28,0				19,6	33,9	14 200	26,9	36,6	13 800	28,0
30,0							13,2	31,1	12 500	30,0
32,0										32,0
34,0										34,0


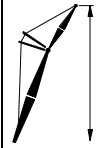


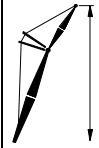


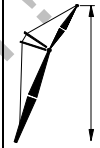

MLC165-1 S-1

ASME B30.5



46 000 kg
+
0 kg

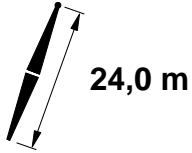
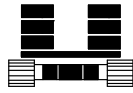
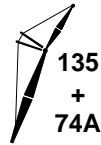


	75°			70°			65°			
										
	m	m	kg	m	m	kg	m	m	kg	m
9,8										9,8
10,0										10,0
12,0										12,0
14,0										14,0
16,0										16,0
18,0										18,0
20,0	61,3	46,4	20 300 b							20,0
22,0	55,8	45,2	17 900 b							22,0
24,0	49,9	43,7	16 000							24,0
26,0	43,4	41,8	14 400	49,8	43,0	13 600				26,0
28,0	36,1	39,4	13 100	43,3	41,1	12 300	49,5	42,0	11 600	28,0
30,0	27,1	36,1	11 900	36,0	38,7	11 200	43,0	40,1	10 500	30,0
32,0	13,5	30,7	10 900	27,0	35,4	10 300	35,6	37,7	9 600	32,0
34,0							26,5	34,4	8 800	34,0

REFERENCE ONLY

MLC165-1 S-1

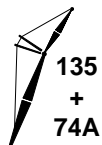
ASME B30.5



	87°			83°			80°			
	m	m	kg	m	m	kg	m	m	kg	
11,0	73,9	52,3	41 200 d							11,0
12,0	71,6	52,0	40 500 c							12,0
14,0	67,2	51,2	36 700 b							14,0
16,0	62,6	50,3	30 600 b							16,0
18,0	57,7	49,2	26 200	66,4	50,9	29 500 b				18,0
20,0	52,7	47,8	22 900	61,8	49,9	25 200 b	64,7	50,3	24 500 b	20,0
22,0	47,2	46,1	20 300	56,9	48,8	22 000	59,9	49,3	21 300 b	22,0
24,0	41,2	44,0	18 100	51,8	47,3	19 500	55,0	48,0	18 800	24,0
26,0	34,4	41,5	16 300	46,2	45,6	17 400	49,7	46,5	16 800	26,0
28,0	26,1	38,0	14 800	40,1	43,4	15 700	44,0	44,6	15 200	28,0
30,0	13,8	32,5	13 500	33,1	40,8	14 200	37,6	42,3	13 800	30,0
32,0				24,4	37,1	13 000	30,1	39,3	12 500	32,0
34,0				10,5	30,7	11 900	20,2	35,0	11 500	34,0
36,0										36,0
38,0										38,0

MLC165-1 S-1

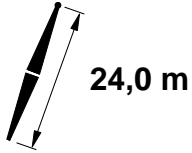
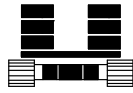
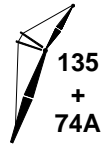
ASME B30.5











	75°			70°			65°			
	m	m	kg	m	m	kg	m	m	kg	m
11,0										11,0
12,0										12,0
14,0										14,0
16,0										16,0
18,0										18,0
20,0										20,0
22,0	60,0	48,8	17 800 b							22,0
24,0	55,1	47,5	15 900							24,0
26,0	49,8	46,0	14 300	55,0	46,8	13 500				26,0
28,0	44,1	44,1	13 000	49,7	45,3	12 200				28,0
30,0	37,7	41,8	11 800	44,0	43,4	11 100	49,5	44,3	10 500	30,0
32,0	30,2	38,8	10 900	37,6	41,1	10 200	43,7	42,5	9 600	32,0
34,0	20,4	34,6	10 000	30,1	38,1	9 400	37,3	40,1	8 800	34,0
36,0				20,3	33,9	8 600	29,7	37,1	8 100	36,0
38,0							19,7	32,8	7 500	38,0

MLC165-1 S-1

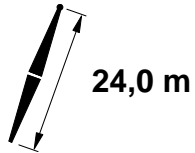
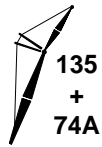
ASME B30.5


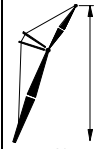
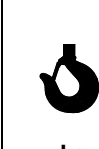

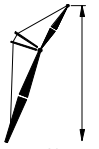


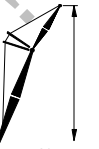



	87°			83°			80°			
	 m	 m	 kg	 m	 kg	 m	 kg	 m		
11,6	74,4	55,3	37 200 c						11,6	
12,0	73,5	55,2	36 800 c						12,0	
14,0	69,6	54,5	34 500 b						14,0	
16,0	65,5	53,7	30 800 b	68,9	54,2	29 300 b			16,0	
18,0	61,3	52,7	26 100	64,8	53,3	25 100 b			18,0	
20,0	56,9	51,5	22 800	60,6	52,3	21 900	63,2	52,8	21 200 b	20,0
22,0	52,3	50,1	20 200	56,2	51,1	19 300	58,9	51,6	18 700	22,0
24,0	47,4	48,4	18 000	51,5	49,6	17 300	54,4	50,3	16 700	24,0
26,0	42,0	46,4	16 300	46,5	47,9	15 600	49,6	48,8	15 000	26,0
28,0	36,1	43,9	14 800	41,1	45,8	14 100	44,5	46,9	13 600	28,0
30,0	29,1	40,8	13 500	35,0	43,2	12 900	38,8	44,7	12 400	30,0
32,0	20,0	36,4	12 300	27,7	40,0	11 800	32,4	41,9	11 400	32,0
34,0				18,1	35,2	10 900	24,5	38,2	10 500	34,0
36,0							12,7	32,2	9 600	36,0
38,0										38,0
40,0										40,0

MLC165-1 S-1

ASME B30.5

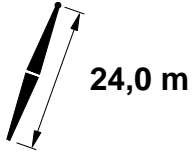
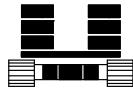
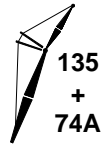


	75°			70°			65°			
										
	m	m	kg	m	m	kg	m	m	kg	m
11,6										11,6
12,0										12,0
14,0										14,0
16,0										16,0
18,0										18,0
20,0										20,0
22,0										22,0
24,0	59,0	51,2	15 800							24,0
26,0	54,5	49,8	14 200							26,0
28,0	49,7	48,3	12 900	54,4	49,1	12 100				28,0
30,0	44,6	46,4	11 700	49,7	47,6	11 000				30,0
32,0	38,9	44,2	10 700	44,5	45,7	10 100	49,4	46,7	9 400	32,0
34,0	32,5	41,4	9 900	38,9	43,5	9 200	44,3	44,8	8 600	34,0
36,0	24,6	37,7	9 100	32,4	40,7	8 500	38,6	42,5	8 000	36,0
38,0	12,9	31,8	8 400	24,5	37,0	7 900	32,1	39,7	7 300	38,0
40,0							24,1	35,9	6 800	40,0

REFERENCE ONLY

MLC165-1 S-1

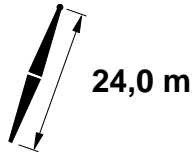
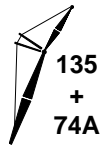
ASME B30.5



m	87°			83°			80°			m
	m	m	kg	m	m	kg	m	m	kg	
12,2	74,7	58,3	33 900 c							12,2
14,0	71,5	57,8	32 400 b							14,0
16,0	67,9	57,0	30 200 b							16,0
18,0	64,1	56,1	26 200	67,2	56,7	25 100 b				18,0
20,0	60,2	55,1	22 800	63,5	55,8	21 800	65,8	56,1	21 100 b	20,0
22,0	56,2	53,8	20 200	59,6	54,7	19 300	62,0	55,2	18 700	22,0
24,0	52,0	52,4	18 000	55,5	53,4	17 300	58,1	54,0	16 700	24,0
26,0	47,5	50,7	16 300	51,3	51,9	15 600	53,9	52,6	15 000	26,0
28,0	42,7	48,7	14 800	46,7	50,2	14 100	49,6	51,1	13 600	28,0
30,0	37,4	46,3	13 500	41,8	48,1	12 900	44,9	49,2	12 400	30,0
32,0	31,3	43,4	12 400	36,4	45,7	11 800	39,9	47,0	11 400	32,0
34,0	24,0	39,6	11 400	30,2	42,6	10 900	34,2	44,4	10 500	34,0
36,0	13,2	33,6	10 500	22,5	38,6	10 100	27,5	41,0	9 700	36,0
38,0				10,4	31,8	9 300	18,8	36,4	9 000	38,0
40,0										40,0
42,0										42,0
44,0										44,0

MLC165-1 S-1

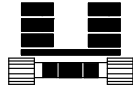
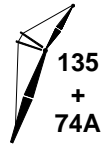
ASME B30.5



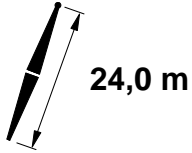
m	75°			70°			65°			m
	m	m	kg	m	m	kg	m	m	kg	
12,2										12,2
14,0										14,0
16,0										16,0
18,0										18,0
20,0										20,0
22,0										22,0
24,0										24,0
26,0	58,1	53,5	14 200							26,0
28,0	54,0	52,2	12 800							28,0
30,0	49,6	50,6	11 700	53,9	51,5	11 000				30,0
32,0	45,0	48,7	10 700	49,6	49,9	10 100				32,0
34,0	39,9	46,6	9 900	44,9	48,0	9 200	49,4	48,9	8 600	34,0
36,0	34,3	43,9	9 100	39,9	45,8	8 500	44,7	47,1	8 000	36,0
38,0	27,6	40,6	8 400	34,2	43,2	7 900	39,6	44,9	7 400	38,0
40,0	19,0	35,9	7 800	27,5	39,8	7 300	33,9	42,2	6 800	40,0
42,0				18,8	35,2	6 800	27,2	38,8	6 300	42,0
44,0							18,4	34,1	5 900	44,0

MLC165-1 S-1

ASME B30.5



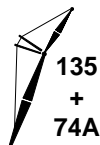
46 000 kg
+
0 kg



m	87°			83°			80°			m
	m	m	kg	m	m	kg	m	m	kg	
13,7	73,6	61,1	30 200 b							13,7
14,0	73,1	61,0	30 000 b							14,0
16,0	69,8	60,3	28 500 b							16,0
18,0	66,4	59,5	26 000							18,0
20,0	62,9	58,5	22 700	65,8	59,1	21 700				20,0
22,0	59,4	57,4	20 100	62,3	58,2	19 200	64,5	58,6	18 600	22,0
24,0	55,6	56,2	17 900	58,7	57,0	17 100	61,0	57,5	16 500	24,0
26,0	51,8	54,7	16 100	55,0	55,7	15 400	57,3	56,3	14 900	26,0
28,0	47,6	53,0	14 700	51,1	54,2	14 000	53,5	55,0	13 500	28,0
30,0	43,3	51,0	13 400	46,9	52,5	12 800	49,5	53,4	12 300	30,0
32,0	38,5	48,7	12 300	42,5	50,5	11 700	45,3	51,5	11 300	32,0
34,0	33,1	45,9	11 300	37,6	48,1	10 800	40,7	49,4	10 400	34,0
36,0	26,8	42,5	10 400	32,1	45,2	10 000	35,6	46,8	9 600	36,0
38,0	18,7	37,7	9 700	25,6	41,6	9 200	29,8	43,7	8 900	38,0
40,0				17,0	36,5	8 600	22,7	39,7	8 200	40,0
42,0							12,3	33,3	7 600	42,0
44,0										44,0
46,0										46,0

MLC165-1 S-1

ASME B30.5



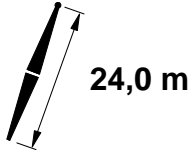
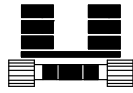
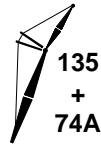
46 000 kg
+
0 kg



	75°			70°			65°			
	m	m	kg	m	m	kg	m	m	kg	m
13,7										13,7
14,0										14,0
16,0										16,0
18,0										18,0
20,0										20,0
22,0										22,0
24,0										24,0
26,0	61,0	57,0	14 000							26,0
28,0	57,4	55,8	12 700							28,0
30,0	53,6	54,5	11 600							30,0
32,0	49,6	52,9	10 600	53,5	53,8	9 900				32,0
34,0	45,3	51,1	9 700	49,5	52,2	9 100				34,0
36,0	40,7	48,9	9 000	45,3	50,3	8 400	49,4	51,2	7 800	36,0
38,0	35,7	46,4	8 300	40,7	48,2	7 800	45,1	49,4	7 200	38,0
40,0	29,9	43,3	7 700	35,6	45,7	7 200	40,5	47,2	6 700	40,0
42,0	22,8	39,2	7 200	29,8	42,5	6 700	35,4	44,7	6 200	42,0
44,0	12,5	32,9	6 700	22,7	38,5	6 200	29,5	41,5	5 700	44,0
46,0							22,4	37,4	5 300	46,0

MLC165-1 S-1

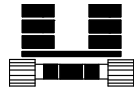
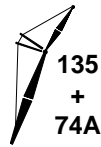
ASME B30.5



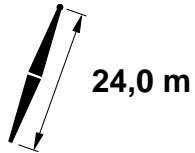
m	87°			83°			80°			m
	m	m	kg	m	m	kg	m	m	kg	
13,7	74,9	64,2	23 200 b							13,7
14,0	74,4	64,1	23 200 b							14,0
16,0	71,4	63,5	22 500 b							16,0
18,0	68,3	62,8	22 000							18,0
20,0	65,2	61,9	21 400	67,8	62,5	21 700				20,0
22,0	61,9	60,9	20 100	64,6	61,6	19 100	66,6	61,9	18 500	22,0
24,0	58,6	59,8	17 800	61,4	60,6	17 000	63,4	61,0	16 400	24,0
26,0	55,2	58,5	16 100	58,0	59,4	15 300	60,1	59,9	14 800	26,0
28,0	51,5	57,0	14 600	54,6	58,1	13 900	56,7	58,7	13 400	28,0
30,0	47,8	55,3	13 300	50,9	56,5	12 700	53,2	57,3	12 200	30,0
32,0	43,7	53,3	12 200	47,1	54,8	11 600	49,5	55,7	11 200	32,0
34,0	39,4	51,1	11 200	43,0	52,8	10 700	45,6	53,8	10 300	34,0
36,0	34,5	48,4	10 400	38,6	50,5	9 900	41,4	51,7	9 500	36,0
38,0	29,0	45,2	9 600	33,7	47,7	9 200	36,8	49,3	8 800	38,0
40,0	22,4	41,0	8 900	28,0	44,4	8 500	31,6	46,3	8 200	40,0
42,0	12,8	34,7	8 300	21,1	40,0	7 900	25,6	42,7	7 600	42,0
44,0				10,4	32,9	7 400	17,7	37,6	7 100	44,0
46,0										46,0
48,0										48,0
50,0										50,0

MLC165-1 S-1

ASME B30.5



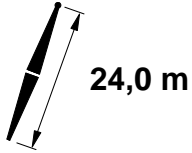
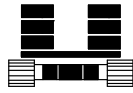
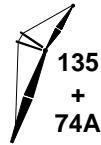
46 000 kg
+
0 kg



m	75°			70°			65°			m
	m	m	kg	m	m	kg	m	m	kg	
13,7										13,7
14,0										14,0
16,0										16,0
18,0										18,0
20,0										20,0
22,0										22,0
24,0										24,0
26,0										26,0
28,0	60,2	59,4	12 600							28,0
30,0	56,8	58,2	11 500							30,0
32,0	53,2	56,8	10 500	56,7	57,5	9 800				32,0
34,0	49,5	55,2	9 600	53,2	56,1	9 000				34,0
36,0	45,6	53,4	8 900	49,5	54,5	8 300				36,0
38,0	41,4	51,3	8 200	45,6	52,7	7 700	49,3	53,5	7 100	38,0
40,0	36,8	48,8	7 600	41,4	50,5	7 100	45,4	51,7	6 600	40,0
42,0	31,7	45,9	7 100	36,8	48,1	6 600	41,2	49,6	6 100	42,0
44,0	25,7	42,2	6 600	31,6	45,1	6 100	36,6	47,1	5 700	44,0
46,0	17,9	37,2	6 100	25,6	41,5	5 700	31,4	44,1	5 300	46,0
48,0				17,8	36,4	5 300	25,3	40,4	4 900	48,0
50,0							17,3	35,3	4 500	50,0

MLC165-1 S-1

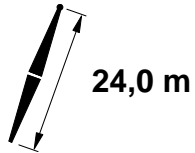
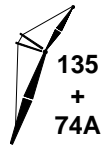
ASME B30.5


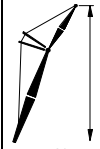


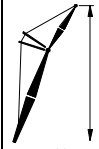


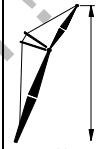



	87°			83°			80°			
	m	m	kg	m	kg	m	kg	m		
15,2	73,8	67,0	21 300 b						15,2	
16,0	72,8	66,7	21 100 b						16,0	
18,0	69,9	66,0	20 600						18,0	
20,0	67,0	65,3	20 100	69,5	65,7	20 600			20,0	
22,0	64,1	64,3	19 200	66,6	64,9	19 100			22,0	
24,0	61,1	63,3	17 800	63,6	64,0	16 900	65,4	64,4	16 300	24,0
26,0	58,0	62,1	16 000	60,6	62,9	15 200	62,4	63,4	14 700	26,0
28,0	54,7	60,8	14 500	57,4	61,7	13 800	59,4	62,3	13 300	28,0
30,0	51,4	59,3	13 200	54,2	60,4	12 600	56,2	61,0	12 100	30,0
32,0	47,8	57,6	12 100	50,8	58,8	11 500	52,9	59,6	11 100	32,0
34,0	44,1	55,7	11 100	47,2	57,1	10 600	49,5	58,0	10 200	34,0
36,0	40,1	53,4	10 300	43,5	55,1	9 800	45,8	56,1	9 400	36,0
38,0	35,7	50,9	9 500	39,4	52,9	9 100	41,9	54,1	8 700	38,0
40,0	30,8	47,8	8 900	34,9	50,2	8 400	37,8	51,7	8 100	40,0
42,0	25,1	44,1	8 200	29,9	47,1	7 800	33,1	48,9	7 500	42,0
44,0	17,8	39,0	7 700	24,0	43,1	7 300	27,8	45,5	7 000	44,0
46,0				16,2	37,7	6 800	21,4	41,1	6 500	46,0
48,0							12,0	34,4	6 100	48,0
50,0										50,0
52,0										52,0

MLC165-1 S-1

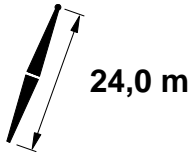
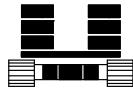
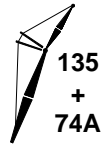
ASME B30.5



	75°			70°			65°			
	 m	 m	 kg	 m	 m	 kg	 m	 m	 kg	
15,2										15,2
16,0										16,0
18,0										18,0
20,0										20,0
22,0										22,0
24,0										24,0
26,0										26,0
28,0										28,0
30,0	59,4	61,8	11 300							30,0
32,0	56,2	60,5	10 400							32,0
34,0	53,0	59,1	9 500	56,2	59,8	8 800				34,0
36,0	49,5	57,5	8 800	52,9	58,4	8 100				36,0
38,0	45,9	55,7	8 100	49,5	56,8	7 500				38,0
40,0	42,0	53,6	7 500	45,8	55,0	7 000	49,3	55,8	6 400	40,0
42,0	37,8	51,2	7 000	42,0	52,9	6 400	45,7	54,0	5 900	42,0
44,0	33,2	48,4	6 500	37,8	50,5	6 000	41,8	51,9	5 500	44,0
46,0	27,9	45,0	6 000	33,1	47,7	5 600	37,6	49,5	5 100	46,0
48,0	21,5	40,7	5 600	27,8	44,3	5 200	32,9	46,7	4 800	48,0
50,0	12,2	34,0	5 200	21,4	39,9	4 800	27,6	43,3	4 400	50,0
52,0							21,1	38,8	4 100	52,0

MLC165-1 S-1

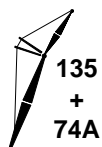
ASME B30.5



m	87°			83°			80°			m
	m	m	kg	m	m	kg	m	m	kg	
15,2	74,9	70,1	20 000 b							15,2
16,0	73,9	69,9	19 800 b							16,0
18,0	71,3	69,3	19 300							18,0
20,0	68,7	68,5	18 700							20,0
22,0	65,9	67,7	17 700	68,2	68,2	18 500				22,0
24,0	63,2	66,8	16 800	65,5	67,4	16 900				24,0
26,0	60,3	65,7	15 900	62,7	66,4	15 200	64,4	66,8	14 600	26,0
28,0	57,4	64,5	14 400	59,8	65,3	13 700	61,6	65,8	13 200	28,0
30,0	54,4	63,1	13 100	56,9	64,1	12 500	58,7	64,6	12 000	30,0
32,0	51,2	61,6	12 100	53,8	62,7	11 500	55,7	63,3	11 000	32,0
34,0	47,9	59,9	11 100	50,7	61,1	10 500	52,6	61,9	10 100	34,0
36,0	44,4	58,0	10 200	47,3	59,4	9 700	49,4	60,3	9 400	36,0
38,0	40,7	55,8	9 500	43,8	57,4	9 000	46,0	58,5	8 700	38,0
40,0	36,7	53,3	8 800	40,1	55,2	8 400	42,4	56,4	8 000	40,0
42,0	32,3	50,4	8 200	36,0	52,7	7 800	38,6	54,1	7 500	42,0
44,0	27,3	46,9	7 700	31,5	49,7	7 300	34,4	51,4	7 000	44,0
46,0	21,1	42,5	7 200	26,3	46,0	6 800	29,6	48,2	6 500	46,0
48,0	12,5	35,8	6 700	19,9	41,4	6 300	24,1	44,2	6 100	48,0
50,0				10,3	34,0	5 900	16,9	38,9	5 700	50,0
52,0										52,0
54,0										54,0
56,0										56,0

MLC165-1 S-1

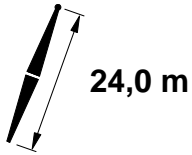
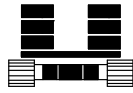
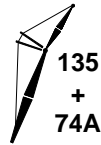
ASME B30.5




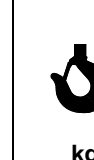

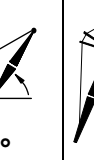







	75°			70°			65°			
	m	m	kg	m	m	kg	m	m	kg	m
15,2										15,2
16,0										16,0
18,0										18,0
20,0										20,0
22,0										22,0
24,0										24,0
26,0										26,0
28,0										28,0
30,0										30,0
32,0	58,8	64,1	10 300							32,0
34,0	55,8	62,8	9 500							34,0
36,0	52,7	61,4	8 700	55,7	62,1	8 100				36,0
38,0	49,5	59,8	8 100	52,7	60,7	7 500				38,0
40,0	46,1	58,0	7 500	49,4	59,1	6 900				40,0
42,0	42,5	55,9	6 900	46,0	57,3	6 400	49,3	58,1	5 900	42,0
44,0	38,6	53,6	6 500	42,5	55,2	6 000	45,9	56,3	5 500	44,0
46,0	34,4	50,9	6 000	38,6	52,9	5 500	42,3	54,3	5 100	46,0
48,0	29,7	47,7	5 600	34,4	50,2	5 200	38,4	51,9	4 700	48,0
50,0	24,2	43,8	5 200	29,7	47,0	4 800	34,2	49,2	4 400	50,0
52,0	17,1	38,4	4 900	24,1	43,0	4 500	29,4	46,0	4 100	52,0
54,0				17,0	37,7	4 200	23,8	42,0	3 800	54,0
56,0							16,6	36,5	3 500	56,0

MLC165-1 S-1

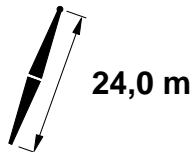
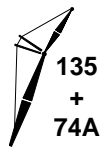
ASME B30.5

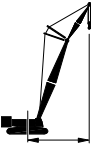


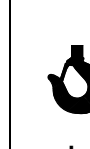
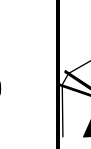
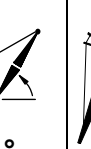
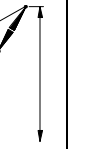




	87°			83°			80°					
	 m	 °	 m	 kg	 °	 m	 kg	 °	 m		 kg	 °
16,8	74,1	72,9	18 300 b									16,8
18,0	72,5	72,5	18 000									18,0
20,0	70,0	71,8	17 100									20,0
22,0	67,5	71,0	16 200	69,6	71,5	16 900						22,0
24,0	65,0	70,1	15 300	67,1	70,7	16 100						24,0
26,0	62,3	69,2	14 400	64,5	69,8	15 100	66,1	70,1	14 500			26,0
28,0	59,7	68,0	13 600	61,9	68,8	13 600	63,5	69,2	13 100			28,0
30,0	56,9	66,8	12 800	59,2	67,7	12 400	60,9	68,1	11 900			30,0
32,0	54,0	65,4	11 900	56,4	66,4	11 300	58,1	67,0	10 900			32,0
34,0	51,1	63,9	11 000	53,5	65,0	10 400	55,3	65,7	10 000			34,0
36,0	48,0	62,2	10 100	50,6	63,4	9 600	52,4	64,2	9 200			36,0
38,0	44,7	60,3	9 400	47,5	61,7	8 900	49,4	62,6	8 500			38,0
40,0	41,3	58,1	8 700	44,2	59,8	8 300	46,2	60,8	7 900			40,0
42,0	37,6	55,7	8 100	40,7	57,6	7 700	42,9	58,7	7 300			42,0
44,0	33,6	52,9	7 600	36,9	55,1	7 200	39,3	56,4	6 800			44,0
46,0	29,0	49,6	7 100	32,8	52,2	6 700	35,4	53,8	6 400			46,0
48,0	23,7	45,6	6 600	28,2	48,8	6 200	31,1	50,8	6 000			48,0
50,0	17,0	40,2	6 200	22,7	44,6	5 800	26,2	47,1	5 600			50,0
52,0				15,6	38,9	5 500	20,3	42,5	5 200			52,0
54,0							11,8	35,5	4 900			54,0
56,0												56,0
58,0												58,0

MLC165-1 S-1

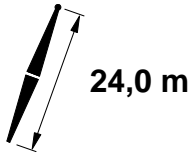
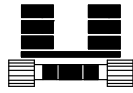
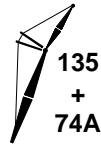
ASME B30.5



	75°			70°			65°			
	 m	 m	 kg	 m	 m	 kg	 m	 m	 kg	
16,8										16,8
18,0										18,0
20,0										20,0
22,0										22,0
24,0										24,0
26,0										26,0
28,0										28,0
30,0										30,0
32,0	60,9	67,7	10 200							32,0
34,0	58,2	66,5	9 300							34,0
36,0	55,4	65,2	8 600							36,0
38,0	52,5	63,7	7 900	55,3	64,5	7 300				38,0
40,0	49,4	62,1	7 300	52,4	63,0	6 800				40,0
42,0	46,3	60,3	6 800	49,4	61,4	6 300				42,0
44,0	42,9	58,2	6 300	46,2	59,6	5 800	49,3	60,4	5 300	44,0
46,0	39,4	56,0	5 900	42,9	57,5	5 400	46,1	58,6	4 900	46,0
48,0	35,5	53,3	5 500	39,3	55,2	5 000	42,7	56,6	4 600	48,0
50,0	31,2	50,3	5 100	35,4	52,6	4 700	39,1	54,3	4 200	50,0
52,0	26,3	46,7	4 800	31,2	49,6	4 400	35,3	51,6	3 900	52,0
54,0	20,4	42,0	4 500	26,3	45,9	4 100	31,0	48,6	3 700	54,0
56,0	12,0	35,1	4 200	20,3	41,3	3 800	26,0	44,9	3 400	56,0
58,0							20,0	40,2	3 200	58,0

MLC165-1 S-1

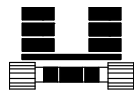
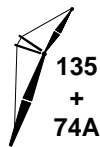
ASME B30.5



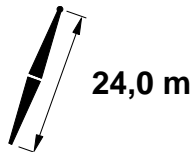
m	87°			83°			80°			m
	m	m	kg	m	m	kg	m	m	kg	
18,3	73,3	75,6	16 500							18,3
20,0	71,3	75,0	15 800							20,0
22,0	68,9	74,3	14 900							22,0
24,0	66,5	73,5	14 000	68,5	74,0	14 700				24,0
26,0	64,1	72,6	13 200	66,1	73,1	13 900	67,6	73,5	14 300	26,0
28,0	61,6	71,5	12 400	63,7	72,2	13 100	65,2	72,6	13 000	28,0
30,0	59,1	70,4	11 700	61,2	71,2	12 300	62,7	71,6	11 800	30,0
32,0	56,4	69,1	10 900	58,6	70,0	11 200	60,2	70,5	10 800	32,0
34,0	53,7	67,7	10 200	56,0	68,7	10 300	57,6	69,3	9 900	34,0
36,0	51,0	66,2	9 600	53,3	67,3	9 500	55,0	68,0	9 100	36,0
38,0	48,0	64,5	9 000	50,5	65,7	8 800	52,2	66,5	8 400	38,0
40,0	45,0	62,6	8 400	47,5	64,0	8 200	49,4	64,9	7 800	40,0
42,0	41,8	60,5	7 800	44,5	62,1	7 600	46,4	63,1	7 300	42,0
44,0	38,3	58,1	7 300	41,2	59,9	7 100	43,3	61,1	6 700	44,0
46,0	34,6	55,4	6 800	37,7	57,5	6 600	39,9	58,8	6 300	46,0
48,0	30,5	52,3	6 300	34,0	54,7	6 200	36,3	56,3	5 900	48,0
50,0	25,8	48,5	5 700	29,8	51,5	5 800	32,4	53,3	5 500	50,0
52,0	20,2	43,8	5 200	25,0	47,6	5 400	28,0	49,9	5 100	52,0
54,0	12,2	36,9	4 800	19,1	42,7	5 000	22,9	45,7	4 800	54,0
56,0				10,3	35,1	4 700	16,3	40,1	4 500	56,0
58,0										58,0
60,0										60,0
62,0										62,0


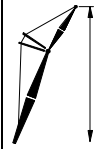


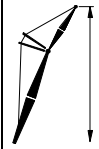


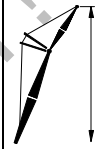

MLC165-1 S-1

ASME B30.5



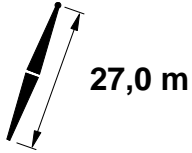
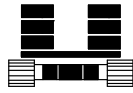
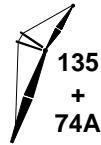
46 000 kg
+
0 kg



	75°			70°			65°			
										
m	m	m	kg	m	m	kg	m	m	kg	m
18,3										18,3
20,0										20,0
22,0										22,0
24,0										24,0
26,0										26,0
28,0										28,0
30,0										30,0
32,0	62,8	71,1	10 100							32,0
34,0	60,3	70,0	9 200							34,0
36,0	57,7	68,8	8 500							36,0
38,0	55,0	67,5	7 800							38,0
40,0	52,3	66,0	7 200	55,0	66,8	6 700				40,0
42,0	49,4	64,4	6 700	52,2	65,3	6 200				42,0
44,0	46,4	62,6	6 200	49,4	63,7	5 700				44,0
46,0	43,3	60,6	5 800	46,4	61,9	5 300	49,3	62,7	4 800	46,0
48,0	40,0	58,3	5 400	43,3	59,9	4 900	46,3	60,9	4 500	48,0
50,0	36,4	55,8	5 000	39,9	57,6	4 600	43,1	58,9	4 100	50,0
52,0	32,5	52,9	4 700	36,4	55,1	4 300	39,8	56,6	3 800	52,0
54,0	28,1	49,4	4 400	32,4	52,1	4 000	36,2	54,1	3 600	54,0
56,0	23,0	45,3	4 100	28,0	48,7	3 700	32,3	51,1	3 300	56,0
58,0	16,4	39,7	3 800	22,9	44,5	3 400	27,8	47,7	3 100	58,0
60,0				16,3	38,9	3 200	22,6	43,4	2 800	60,0
62,0							15,9	37,7	2 600	62,0

MLC165-1 S-1

ASME B30.5

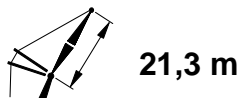
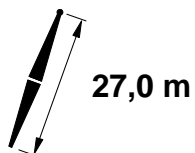
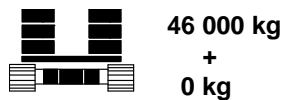
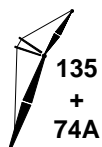


	87°			83°			80°			
	m	m	kg	m	m	kg	m	m	kg	
9,1	74,7	49,5	48 100 d							9,1
10,0	72,3	49,3	48 100 d							10,0
12,0	66,6	48,6	45 300 c							12,0
14,0	60,6	47,6	36 500 b	66,2	48,3	35 100 c				14,0
16,0	54,2	46,3	30 700 b	60,2	47,3	29 300 c	64,4	47,8	28 500 c	16,0
18,0	47,3	44,6	26 300	53,8	46,0	25 200 b	58,3	46,7	24 300 b	18,0
20,0	39,4	42,5	23 000	46,8	44,3	22 000	51,7	45,3	21 300 b	20,0
22,0	30,0	39,6	20 300	38,9	42,2	19 500	44,5	43,5	18 800	22,0
24,0	16,3	34,9	18 100	29,3	39,2	17 400	36,2	41,1	16 800	24,0
26,0							25,8	37,8	15 100	26,0
28,0										28,0
30,0										30,0
32,0										32,0

REFERENCE ONLY

MLC165-1 S-1

ASME B30.5

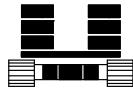
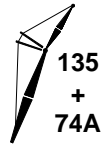


	75°			70°			65°			
m	m	m	kg	m	m	kg	m	m	kg	m
9,1										9,1
10,0										10,0
12,0										12,0
14,0										14,0
16,0										16,0
18,0										18,0
20,0	59,2	46,3	20 000 b							20,0
22,0	52,7	44,9	17 700 b							22,0
24,0	45,6	43,2	15 800	53,5	44,3	14 800 b				24,0
26,0	37,5	40,9	14 200	46,5	42,6	13 300				26,0
28,0	27,5	37,8	12 900	38,5	40,5	12 100	47,0	41,8	11 300 b	28,0
30,0				28,8	37,5	11 000	39,1	39,7	10 300	30,0
32,0				14,0	32,4	10 000	29,6	36,8	9 400	32,0

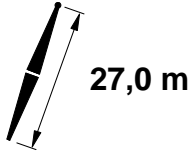
REFERENCE ONLY









MLC165-1 S-1

ASME B30.5



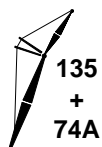
46 000 kg
+
0 kg



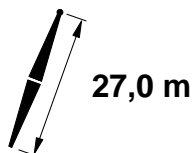
	87°			83°			80°			
	 m	 m	 kg	 m	 kg	 m	 kg	 m		
10,4	73,7	52,4	44 000 d						10,4	
12,0	69,6	51,8	43 900 c						12,0	
14,0	64,5	51,0	36 400 b	69,3	51,6	35 000 c			14,0	
16,0	59,2	49,9	30 600 b	64,2	50,7	29 200 c			16,0	
18,0	53,6	48,6	26 300	58,9	49,6	25 100 b	62,6	50,2	24 300 b	18,0
20,0	47,5	46,9	22 900	53,2	48,3	21 900	57,2	49,0	21 100 b	20,0
22,0	40,7	44,9	20 300	47,1	46,6	19 400	51,4	47,6	18 700	22,0
24,0	32,9	42,2	18 100	40,3	44,5	17 300	45,1	45,8	16 700	24,0
26,0	22,8	38,4	16 300	32,3	41,8	15 600	38,0	43,5	15 000	26,0
28,0				22,0	37,9	14 100	29,5	40,5	13 600	28,0
30,0							17,8	36,0	12 400	30,0
32,0										32,0
34,0										34,0
36,0										36,0


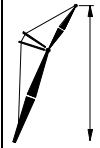


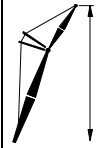


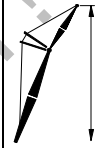

MLC165-1 S-1

ASME B30.5



46 000 kg
+
0 kg

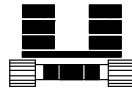
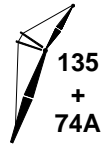


	75°			70°			65°			
										
	m	m	kg	m	m	kg	m	m	kg	m
10,4										10,4
12,0										12,0
14,0										14,0
16,0										16,0
18,0										18,0
20,0										20,0
22,0	58,0	48,6	17 600 b							22,0
24,0	52,2	47,2	15 700							24,0
26,0	46,0	45,5	14 100	52,9	46,6	13 200				26,0
28,0	39,1	43,3	12 800	46,8	45,0	11 900				28,0
30,0	30,9	40,5	11 700	39,9	42,8	10 900	47,3	44,1	10 100	30,0
32,0	19,9	36,2	10 700	31,9	40,1	10 000	40,5	42,1	9 300	32,0
34,0				21,4	36,1	9 100	32,6	39,4	8 500	34,0
36,0							22,4	35,5	7 800	36,0

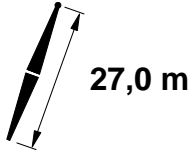
REFERENCE ONLY

MLC165-1 S-1

ASME B30.5



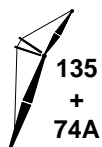
46 000 kg
+
0 kg



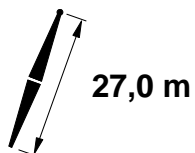
	87°			83°			80°			
	m	m	kg	m	m	kg	m	m	kg	m
11,0	74,2	55,4	39 900 d							11,0
12,0	72,0	55,1	39 800 c							12,0
14,0	67,5	54,3	36 700 b							14,0
16,0	62,9	53,4	30 500 b	67,2	54,1	29 300 c				16,0
18,0	58,1	52,3	26 200	62,6	53,1	25 000 b				18,0
20,0	53,1	50,9	22 900	57,8	52,0	21 800 b	61,2	52,6	21 000 b	20,0
22,0	47,6	49,2	20 200	52,7	50,6	19 300	56,3	51,3	18 600 b	22,0
24,0	41,7	47,2	18 100	47,3	48,9	17 300	51,1	49,9	16 600	24,0
26,0	35,0	44,7	16 300	41,3	46,9	15 600	45,5	48,1	15 000	26,0
28,0	26,8	41,3	14 800	34,5	44,3	14 100	39,3	45,9	13 600	28,0
30,0	15,1	36,1	13 500	26,2	40,9	12 900	32,2	43,1	12 400	30,0
32,0				14,1	35,4	11 800	23,2	39,3	11 400	32,0
34,0										34,0
36,0										36,0
38,0										38,0

MLC165-1 S-1

ASME B30.5



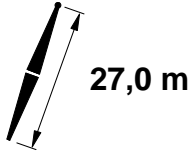
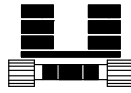
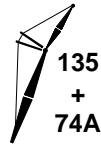
46 000 kg
+
0 kg



	75°			70°			65°			
m	m	m	kg	m	m	kg	m	m	kg	m
11,0										11,0
12,0										12,0
14,0										14,0
16,0										16,0
18,0										18,0
20,0										20,0
22,0										22,0
24,0	57,0	51,0	15 600							24,0
26,0	51,9	49,5	14 000	57,6	50,3	13 100				26,0
28,0	46,4	47,8	12 700	52,5	48,9	11 900				28,0
30,0	40,3	45,7	11 600	47,0	47,3	10 800				30,0
32,0	33,3	43,0	10 600	41,0	45,2	9 900	47,5	46,4	9 200	32,0
34,0	24,7	39,4	9 800	34,2	42,6	9 100	41,5	44,4	8 400	34,0
36,0				25,8	39,1	8 400	34,7	41,9	7 800	36,0
38,0				13,3	33,5	7 700	26,5	38,5	7 200	38,0

MLC165-1 S-1

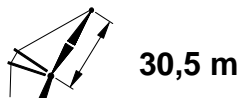
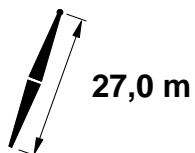
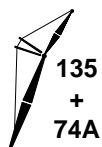
ASME B30.5



m	87°			83°			80°			m
	m	m	kg	m	m	kg	m	m	kg	
11,6	74,7	58,4	36 100 c							11,6
12,0	73,8	58,3	36 000 c							12,0
14,0	69,9	57,6	34 400 b							14,0
16,0	65,8	56,8	30 700 b							16,0
18,0	61,6	55,8	26 100	65,6	56,5	24 900 b				18,0
20,0	57,3	54,6	22 800	61,4	55,5	21 700	64,3	56,0	20 900 b	20,0
22,0	52,7	53,2	20 100	57,0	54,3	19 200	60,1	54,9	18 500	22,0
24,0	47,8	51,5	18 000	52,4	52,9	17 100	55,6	53,7	16 500	24,0
26,0	42,5	49,6	16 200	47,5	51,2	15 400	50,9	52,2	14 900	26,0
28,0	36,6	47,1	14 700	42,1	49,2	14 000	45,9	50,4	13 500	28,0
30,0	29,7	44,1	13 400	36,2	46,7	12 800	40,4	48,3	12 300	30,0
32,0	20,9	39,8	12 300	29,2	43,6	11 700	34,2	45,6	11 300	32,0
34,0				20,2	39,3	10 800	26,8	42,2	10 400	34,0
36,0							16,6	37,2	9 500	36,0
38,0										38,0
40,0										40,0
42,0										42,0

MLC165-1 S-1

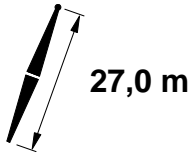
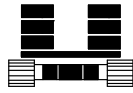
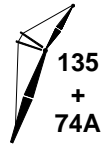
ASME B30.5




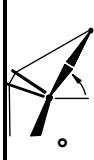
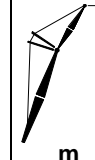





m	75°			70°			65°			m
	m	m	kg	m	m	kg	m	m	kg	
11,6										11,6
12,0										12,0
14,0										14,0
16,0										16,0
18,0										18,0
20,0										20,0
22,0										22,0
24,0										24,0
26,0	56,3	53,3	13 900							26,0
28,0	51,6	51,8	12 600							28,0
30,0	46,6	50,1	11 500	52,2	51,3	10 700				30,0
32,0	41,2	48,0	10 500	47,2	49,6	9 700				32,0
34,0	35,1	45,5	9 600	41,9	47,5	8 900	52,5	50,4	9 000	34,0
36,0	27,9	42,2	8 900	35,9	45,0	8 200	47,6	48,7	8 300	36,0
38,0	18,4	37,6	8 200	28,8	41,9	7 600	42,3	46,7	7 600	38,0
40,0				19,7	37,4	7 000	36,4	44,3	7 000	38,0
42,0							29,4	41,2	6 500	40,0
							20,5	36,9	6 000	42,0

MLC165-1 S-1

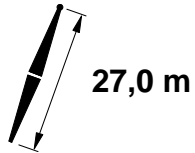
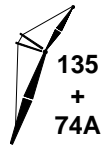
ASME B30.5



	87°			83°			80°			
	 m	 m	 kg	 m	 kg	 m	 kg	 m		
13,7	72,3	60,9	32 300 b						13,7	
14,0	71,8	60,8	32 100 b						14,0	
16,0	68,1	60,1	30 000 b						16,0	
18,0	64,4	59,2	26 200	67,9	59,8	24 900 b			18,0	
20,0	60,6	58,2	22 700	64,2	58,9	21 700			20,0	
22,0	56,5	56,9	20 100	60,3	57,9	19 200	66,8	59,3	20 900 b	22,0
24,0	52,3	55,5	18 000	56,3	56,7	17 100	63,0	58,4	18 400	24,0
26,0	47,9	53,8	16 200	52,1	55,2	15 400	59,1	57,3	16 500	26,0
28,0	43,1	51,9	14 700	47,6	53,5	14 000	55,0	56,0	14 800	28,0
30,0	37,8	49,5	13 400	42,8	51,5	12 800	50,7	54,5	13 500	30,0
32,0	31,8	46,7	12 300	42,8	49,2	11 700	46,2	52,7	12 300	32,0
34,0	24,6	42,9	11 400	37,5	46,2	10 800	41,2	50,6	11 300	34,0
36,0	14,3	37,3	10 500	31,4	42,4	10 000	35,7	48,1	10 400	36,0
38,0				24,1	42,4	10 000	29,4	45,0	9 600	38,0
40,0				13,4	36,6	9 200	21,4	40,8	8 900	40,0
42,0										42,0
44,0										44,0

MLC165-1 S-1

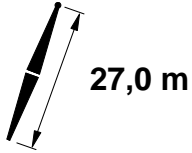
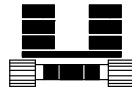
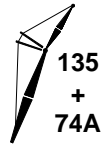
ASME B30.5



m	75°			70°			65°			m
	m	m	kg	m	m	kg	m	m	kg	
13,7										13,7
14,0										14,0
16,0										16,0
18,0										18,0
20,0										20,0
22,0										22,0
24,0										24,0
26,0	59,7	56,9	13 900							26,0
28,0	55,6	55,6	12 600							28,0
30,0	51,4	54,1	11 400							30,0
32,0	46,9	52,4	10 500	51,9	53,6	9 700				32,0
34,0	42,0	50,4	9 600	47,4	51,9	8 900				34,0
36,0	36,6	47,9	8 900	42,5	49,9	8 200	47,7	51,0	7 600	36,0
38,0	30,4	44,9	8 200	37,2	47,5	7 600	42,9	49,1	7 000	38,0
40,0	22,7	40,9	7 600	31,1	44,5	7 100	37,6	46,7	6 500	40,0
42,0				23,7	40,7	6 600	31,6	43,8	6 000	42,0
44,0				12,8	34,6	6 100	24,3	40,1	5 600	44,0

MLC165-1 S-1

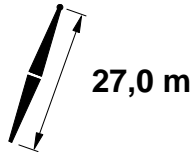
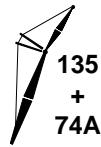
ASME B30.5



m	87°			83°			80°			m
	m	m	kg	m	m	kg	m	m	kg	
13,7	73,8	64,1	29 900 b							13,7
14,0	73,3	64,0	29 700 b							14,0
16,0	70,0	63,4	28 200 b							16,0
18,0	66,7	62,6	26 000							18,0
20,0	63,2	61,6	22 600	66,5	62,3	21 500				20,0
22,0	59,6	60,5	20 000	63,0	61,4	19 000	65,4	61,8	18 300	22,0
24,0	55,9	59,3	17 900	59,4	60,3	17 000	61,9	60,8	16 300	24,0
26,0	52,1	57,8	16 100	55,7	59,0	15 300	58,3	59,6	14 700	26,0
28,0	48,0	56,1	14 600	51,8	57,5	13 900	54,5	58,3	13 300	28,0
30,0	43,6	54,2	13 400	47,7	55,8	12 700	50,6	56,8	12 200	30,0
32,0	38,9	51,9	12 200	43,3	53,9	11 600	46,4	55,0	11 100	32,0
34,0	33,5	49,2	11 300	38,5	51,6	10 700	41,9	53,0	10 200	34,0
36,0	27,4	45,8	10 400	33,2	48,8	9 900	37,0	50,5	9 500	36,0
38,0	19,5	41,2	9 700	26,9	45,3	9 100	31,4	47,6	8 800	38,0
40,0				18,9	40,6	8 500	24,8	43,8	8 100	40,0
42,0							15,7	38,4	7 500	42,0
44,0										44,0
46,0										46,0
48,0										48,0

MLC165-1 S-1

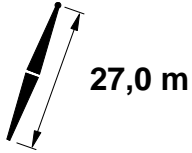
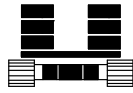
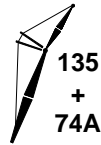
ASME B30.5



m	75°			70°			65°			m
	m	m	kg	m	m	kg	m	m	kg	
13,7										13,7
14,0										14,0
16,0										16,0
18,0										18,0
20,0										20,0
22,0										22,0
24,0										24,0
26,0	62,4	60,4	13 700							26,0
28,0	58,8	59,2	12 400							28,0
30,0	55,1	57,9	11 300							30,0
32,0	51,2	56,4	10 300	55,5	57,3	9 600				32,0
34,0	47,0	54,7	9 500	51,6	55,9	8 800				34,0
36,0	42,6	52,7	8 800	47,5	54,2	8 100				36,0
38,0	37,7	50,3	8 100	43,1	52,2	7 500	47,8	53,3	6 900	38,0
40,0	32,3	47,5	7 500	38,3	49,9	6 900	43,5	51,4	6 300	40,0
42,0	25,8	43,9	7 000	32,9	47,1	6 400	38,7	49,1	5 900	42,0
44,0	17,3	38,8	6 500	26,6	43,6	6 000	33,4	46,3	5 400	44,0
46,0				18,4	38,7	5 500	27,1	42,9	5 100	46,0
48,0							19,2	38,2	4 700	48,0

MLC165-1 S-1

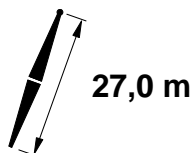
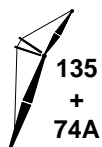
ASME B30.5



m	87°			83°			80°			m
	m	m	kg	m	m	kg	m	m	kg	
15,2	72,8	66,8	22 400 b							15,2
16,0	71,6	66,6	22 200 b							16,0
18,0	68,6	65,9	21 700							18,0
20,0	65,4	65,0	21 100	68,4	65,6	21 500				20,0
22,0	62,2	64,0	20 100	65,2	64,7	18 900				22,0
24,0	58,9	62,9	17 800	62,0	63,7	16 900	64,2	64,2	16 200	24,0
26,0	55,4	61,6	16 000	58,7	62,6	15 200	61,0	63,2	14 600	26,0
28,0	51,8	60,1	14 500	55,2	61,3	13 800	57,6	62,0	13 200	28,0
30,0	48,1	58,4	13 300	51,6	59,8	12 600	54,1	60,6	12 100	30,0
32,0	44,0	56,5	12 200	47,8	58,1	11 500	50,5	59,1	11 000	32,0
34,0	39,7	54,3	11 200	43,8	56,2	10 600	46,6	57,3	10 200	34,0
36,0	34,9	51,7	10 400	39,4	53,9	9 800	42,5	55,3	9 400	36,0
38,0	29,5	48,5	9 600	34,6	51,3	9 100	38,0	52,9	8 700	38,0
40,0	23,0	44,4	8 900	29,1	48,1	8 400	33,0	50,1	8 100	40,0
42,0	13,8	38,4	8 300	22,5	43,9	7 800	27,3	46,7	7 500	42,0
44,0				13,0	37,7	7 300	20,1	42,1	7 000	44,0
46,0										46,0
48,0										48,0
50,0										50,0

MLC165-1 S-1

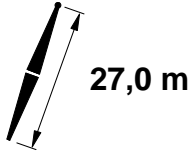
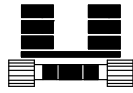
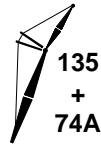
ASME B30.5



m	75°			70°			65°			m
	m	m	kg	m	m	kg	m	m	kg	
15,2										15,2
16,0										16,0
18,0										18,0
20,0										20,0
22,0										22,0
24,0										24,0
26,0										26,0
28,0	61,5	62,8	12 300							28,0
30,0	58,1	61,6	11 200							30,0
32,0	54,6	60,3	10 200							32,0
34,0	51,0	58,8	9 400	55,0	59,7	8 700				34,0
36,0	47,2	57,0	8 700	51,4	58,2	8 000				36,0
38,0	43,1	55,0	8 000	47,6	56,5	7 400				38,0
40,0	38,7	52,7	7 400	43,6	54,5	6 800	47,9	55,6	6 200	40,0
42,0	33,8	50,0	6 900	39,2	52,2	6 300	43,9	53,7	5 800	42,0
44,0	28,2	46,7	6 400	34,4	49,6	5 900	39,6	51,5	5 400	44,0
46,0	21,3	42,3	6 000	28,9	46,3	5 500	34,8	48,8	5 000	46,0
48,0				22,1	42,1	5 100	29,3	45,6	4 600	48,0
50,0				12,4	35,7	4 700	22,7	41,5	4 300	50,0

MLC165-1 S-1

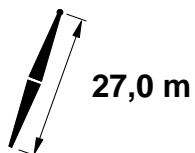
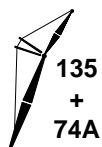
ASME B30.5



m	87°			83°			80°			m
	m	m	kg	m	m	kg	m	m	kg	
15,2	74,1	70,0	21 000 b							15,2
16,0	73,0	69,8	20 800 b							16,0
18,0	70,2	69,1	20 300							18,0
20,0	67,3	68,3	19 900	70,0	68,9	20 300				20,0
22,0	64,3	67,4	19 200	67,1	68,1	18 900				22,0
24,0	61,3	66,4	17 700	64,1	67,2	16 800	66,2	67,6	16 100	24,0
26,0	58,2	65,2	15 900	61,1	66,1	15 100	63,2	66,6	14 500	26,0
28,0	55,0	63,9	14 400	58,0	65,0	13 700	60,2	65,5	13 100	28,0
30,0	51,6	62,4	13 200	54,8	63,6	12 500	57,0	64,3	11 900	30,0
32,0	48,1	60,8	12 100	51,4	62,1	11 400	53,8	62,9	10 900	32,0
34,0	44,4	58,8	11 100	47,9	60,4	10 500	50,4	61,4	10 000	34,0
36,0	40,4	56,6	10 300	44,2	58,5	9 700	46,8	59,6	9 300	36,0
38,0	36,1	54,1	9 500	40,2	56,3	9 000	43,0	57,6	8 600	38,0
40,0	31,2	51,1	8 800	35,8	53,7	8 300	38,9	55,3	7 900	40,0
42,0	25,6	47,4	8 200	30,9	50,7	7 700	34,4	52,6	7 400	42,0
44,0	18,4	42,5	7 700	25,2	46,9	7 200	29,3	49,4	6 900	44,0
46,0				17,9	41,9	6 700	23,2	45,3	6 400	46,0
48,0							15,0	39,6	6 000	48,0
50,0										50,0
52,0										52,0
54,0										54,0

MLC165-1 S-1

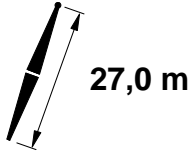
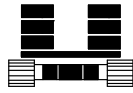
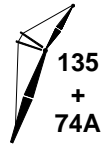
ASME B30.5



m	75°			70°			65°			m
	m	m	kg	m	m	kg	m	m	kg	
15,2										15,2
16,0										16,0
18,0										18,0
20,0										20,0
22,0										22,0
24,0										24,0
26,0										26,0
28,0										28,0
30,0	60,6	65,1	11 100							30,0
32,0	57,5	63,9	10 100							32,0
34,0	54,3	62,6	9 300							34,0
36,0	50,9	61,1	8 500	54,6	62,0	7 800				36,0
38,0	47,3	59,3	7 900	51,3	60,5	7 200				38,0
40,0	43,5	57,3	7 300	47,7	58,8	6 700	51,5	59,6	6 100	40,0
42,0	39,5	55,1	6 800	44,0	56,8	6 200	48,0	57,9	5 600	42,0
44,0	35,1	52,5	6 300	40,0	54,6	5 700	44,3	56,0	5 200	44,0
46,0	30,1	49,3	5 900	35,6	52,0	5 300	40,3	53,8	4 800	46,0
48,0	24,2	45,4	5 500	30,7	49,0	5 000	35,9	51,3	4 500	48,0
50,0	16,4	40,0	5 100	24,9	45,2	4 600	31,1	48,3	4 200	50,0
52,0				17,5	40,0	4 300	25,4	44,5	3 900	52,0
54,0							18,2	39,5	3 600	54,0

MLC165-1 S-1

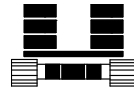
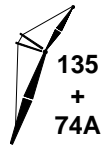
ASME B30.5



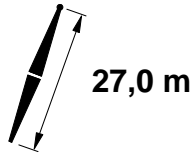
m	87°			83°			80°			m
	m	m	kg	m	m	kg	m	m	kg	
16,8	73,2	72,7	19 300 b							16,8
18,0	71,5	72,3	19 000							18,0
20,0	68,9	71,6	18 600							20,0
22,0	66,2	70,8	17 700	68,7	71,4	18 400				22,0
24,0	63,4	69,9	16 800	66,0	70,5	16 800				24,0
26,0	60,5	68,8	15 800	63,2	69,6	15 000	65,1	70,0	14 400	26,0
28,0	57,6	67,6	14 400	60,4	68,5	13 600	62,4	69,0	13 000	28,0
30,0	54,6	66,2	13 100	57,4	67,3	12 400	59,5	67,9	11 900	30,0
32,0	51,5	64,7	12 000	54,4	65,9	11 400	56,5	66,7	10 900	32,0
34,0	48,2	63,1	11 100	51,3	64,4	10 400	53,5	65,3	10 000	34,0
36,0	44,7	61,1	10 200	48,0	62,7	9 600	50,3	63,7	9 200	36,0
38,0	41,0	59,0	9 500	44,5	60,8	8 900	46,9	61,9	8 500	38,0
40,0	37,1	56,5	8 800	40,8	58,6	8 300	43,4	59,9	7 900	40,0
42,0	32,7	53,7	8 200	36,8	56,2	7 700	39,6	57,7	7 400	42,0
44,0	27,7	50,2	7 700	32,4	53,3	7 200	35,5	55,1	6 800	44,0
46,0	21,7	45,9	7 100	27,4	49,8	6 700	30,9	52,0	6 400	46,0
48,0	13,4	39,5	6 700	21,3	45,3	6 300	25,6	48,3	6 000	48,0
50,0				12,7	38,8	5 900	19,1	43,4	5 600	50,0
52,0										52,0
54,0										54,0
56,0										56,0

MLC165-1 S-1

ASME B30.5



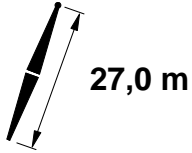
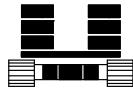
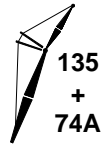
46 000 kg
+
0 kg




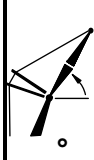
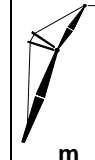





	75°			70°			65°			
	m	m	kg	m	m	kg	m	m	kg	m
16,8										16,8
18,0										18,0
20,0										20,0
22,0										22,0
24,0										24,0
26,0										26,0
28,0										28,0
30,0										30,0
32,0	59,9	67,5	10 000							32,0
34,0	57,0	66,3	9 200							34,0
36,0	53,9	64,9	8 500							36,0
38,0	50,7	63,4	7 800	54,3	64,3	7 200				38,0
40,0	47,4	61,6	7 300	51,1	62,8	6 600				40,0
42,0	43,9	59,7	6 700	47,8	61,1	6 200	51,4	61,9	5 600	42,0
44,0	40,2	57,5	6 300	44,3	59,1	5 700	48,1	60,2	5 200	44,0
46,0	36,1	54,9	5 800	40,6	57,0	5 300	44,6	58,3	4 800	46,0
48,0	31,6	51,9	5 500	36,6	54,5	4 900	40,9	56,2	4 400	48,0
50,0	26,5	48,3	5 100	32,2	51,5	4 600	36,9	53,7	4 100	50,0
52,0	20,1	43,7	4 700	27,1	48,0	4 300	32,5	50,8	3 800	52,0
54,0				20,9	43,5	4 000	27,5	47,4	3 600	54,0
56,0				12,1	36,8	3 700	21,5	43,0	3 300	56,0

MLC165-1 S-1

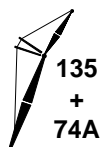
ASME B30.5



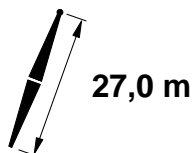
	87°			83°			80°			
	 m	 m	 kg	 m	 kg	 m	 kg	 m		
16,8	74,2	75,9	18 000 b						16,8	
18,0	72,7	75,5	17 700						18,0	
20,0	70,2	74,9	17 000						20,0	
22,0	67,7	74,1	16 100	70,1	74,6	17 000			22,0	
24,0	65,2	73,2	15 300	67,6	73,8	16 100			24,0	
26,0	62,5	72,3	14 400	65,0	73,0	14 900	66,8	73,3	14 300	26,0
28,0	59,9	71,2	13 600	62,4	72,0	13 500	64,2	72,4	12 900	28,0
30,0	57,1	69,9	12 800	59,7	70,9	12 300	61,6	71,4	11 700	30,0
32,0	54,3	68,6	11 900	56,9	69,6	11 200	58,9	70,3	10 700	32,0
34,0	51,3	67,0	11 000	54,1	68,3	10 300	56,1	69,0	9 900	34,0
36,0	48,2	65,4	10 100	51,1	66,7	9 500	53,2	67,6	9 100	36,0
38,0	45,0	63,5	9 400	48,0	65,0	8 800	50,2	66,0	8 400	38,0
40,0	41,6	61,3	8 700	44,8	63,1	8 200	47,1	64,2	7 800	40,0
42,0	37,9	58,9	8 100	41,4	61,0	7 600	43,8	62,3	7 200	42,0
44,0	33,9	56,2	7 600	37,7	58,6	7 100	40,3	60,0	6 700	44,0
46,0	29,4	52,9	7 100	33,6	55,8	6 600	36,5	57,5	6 300	46,0
48,0	24,2	49,0	6 600	29,1	52,5	6 200	32,3	54,6	5 900	48,0
50,0	17,6	43,7	6 200	23,8	48,5	5 800	27,6	51,1	5 500	50,0
52,0				17,1	43,1	5 400	22,0	46,8	5 100	52,0
54,0							14,5	40,7	4 800	54,0
56,0										56,0
58,0										58,0
60,0										60,0

MLC165-1 S-1

ASME B30.5



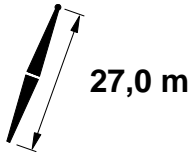
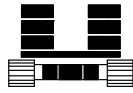
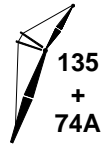
46 000 kg
+
0 kg



	75°			70°			65°			
m	m	m	kg	m	m	kg	m	m	kg	m
16,8										16,8
18,0										18,0
20,0										20,0
22,0										22,0
24,0										24,0
26,0										26,0
28,0										28,0
30,0										30,0
32,0	62,0	71,0	9 900							32,0
34,0	59,3	69,9	9 100							34,0
36,0	56,5	68,6	8 400							36,0
38,0	53,6	67,2	7 700							38,0
40,0	50,6	65,7	7 100	53,9	66,6	6 500				40,0
42,0	47,5	63,9	6 600	51,0	65,1	6 000				42,0
44,0	44,3	62,0	6 100	47,9	63,4	5 600				44,0
46,0	40,8	59,8	5 700	44,6	61,5	5 200	48,1	62,5	4 600	46,0
48,0	37,0	57,3	5 300	41,2	59,3	4 800	44,9	60,7	4 300	48,0
50,0	32,9	54,5	5 000	37,5	56,9	4 500	41,5	58,5	4 000	50,0
52,0	28,3	51,1	4 600	33,4	54,1	4 200	37,8	56,1	3 700	52,0
54,0	22,9	46,9	4 300	28,9	50,7	3 900	33,8	53,3	3 400	54,0
56,0	15,8	41,2	4 000	23,6	46,7	3 600	29,3	50,1	3 200	56,0
58,0				16,7	41,2	3 300	24,0	46,1	2 900	58,0
60,0							17,4	40,8	2 700	60,0

MLC165-1 S-1

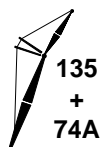
ASME B30.5



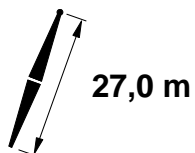
m	87°			83°			80°			m
	m	m	kg	m	m	kg	m	m	kg	
18,3	73,4	78,6	16 400							18,3
20,0	71,5	78,1	15 700							20,0
22,0	69,1	77,4	14 900							22,0
24,0	66,7	76,6	14 000	69,0	77,1	14 800				24,0
26,0	64,3	75,7	13 200	66,6	76,3	14 000				26,0
28,0	61,8	74,6	12 400	64,1	75,4	13 200	65,8	75,8	12 800	28,0
30,0	59,3	73,5	11 700	61,6	74,4	12 200	63,4	74,8	11 600	30,0
32,0	56,7	72,3	11 000	59,1	73,2	11 100	60,9	73,8	10 600	32,0
34,0	54,0	70,9	10 300	56,5	72,0	10 200	58,3	72,6	9 800	34,0
36,0	51,2	69,3	9 600	53,8	70,6	9 400	55,7	71,3	9 000	36,0
38,0	48,3	67,7	9 000	51,0	69,0	8 700	53,0	69,9	8 300	38,0
40,0	45,2	65,8	8 400	48,1	67,3	8 100	50,1	68,3	7 700	40,0
42,0	42,0	63,7	7 900	45,0	65,4	7 500	47,2	66,5	7 100	42,0
44,0	38,6	61,3	7 400	41,8	63,3	7 000	44,1	64,6	6 600	44,0
46,0	34,9	58,6	6 900	38,4	60,9	6 500	40,8	62,4	6 200	46,0
48,0	30,9	55,5	6 300	34,7	58,2	6 100	37,3	59,9	5 800	48,0
50,0	26,2	51,9	5 800	30,6	55,1	5 700	33,5	57,1	5 400	50,0
52,0	20,7	47,3	5 300	25,9	51,4	5 300	29,2	53,8	5 000	52,0
54,0	13,0	40,7	4 800	20,3	46,7	5 000	24,3	49,9	4 700	54,0
56,0				12,4	39,9	4 600	18,2	44,7	4 400	56,0
58,0										58,0
60,0										60,0
62,0										62,0
64,0										64,0

MLC165-1 S-1

ASME B30.5



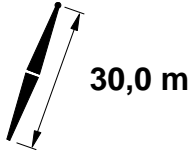
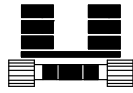
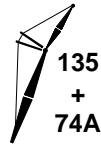
46 000 kg
+
0 kg





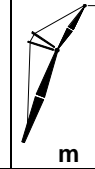





	75°			70°			65°			
18,3										18,3
20,0										20,0
22,0										22,0
24,0										24,0
26,0										26,0
28,0										28,0
30,0										30,0
32,0										32,0
34,0	61,2	73,4	9 000							34,0
36,0	58,7	72,2	8 200							36,0
38,0	56,1	70,9	7 600							38,0
40,0	53,4	69,5	7 000	56,4	70,3	6 400				40,0
42,0	50,5	68,0	6 500	53,7	68,9	5 900				42,0
44,0	47,6	66,2	6 000	50,9	67,4	5 500				44,0
46,0	44,5	64,3	5 600	48,0	65,7	5 100	51,1	66,5	4 500	46,0
48,0	41,3	62,1	5 200	44,9	63,8	4 700	48,2	64,8	4 200	48,0
50,0	37,8	59,7	4 900	41,7	61,6	4 400	45,1	63,0	3 900	50,0
52,0	34,1	57,0	4 500	38,2	59,3	4 100	41,9	60,9	3 600	52,0
54,0	29,9	53,8	4 200	34,5	56,5	3 800	38,5	58,5	3 300	54,0
56,0	25,1	49,9	3 900	30,4	53,4	3 500	34,8	55,8	3 100	56,0
58,0	19,2	45,0	3 700	25,7	49,6	3 300	30,7	52,7	2 800	58,0
60,0				20,0	44,9	3 000	26,1	49,0	2 600	60,0
62,0				11,9	37,9	2 800	20,5	44,3	2 400	62,0
64,0							12,7	37,6	2 200	64,0

MLC165-1 S-1

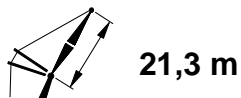
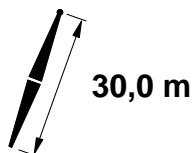
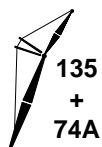
ASME B30.5


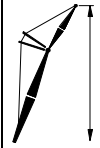


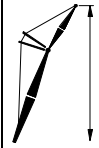


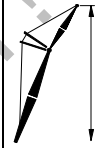



	87°			83°			80°			
	 m	 m	 kg	 m	 kg	 m	 kg	 m		
9,8	73,4	52,4	46 300 d						9,8	
10,0	72,8	52,3	46 300 d						10,0	
12,0	67,0	51,6	44 900 c						12,0	
14,0	61,1	50,6	36 500 b	67,3	51,4	34 800 c			14,0	
16,0	54,7	49,4	30 600 b	61,3	50,4	29 100 c			16,0	
18,0	47,8	47,8	26 300	55,0	49,2	25 000 b	59,9	49,9	24 100 b	18,0
20,0	40,1	45,7	23 000	48,1	47,6	21 900 b	53,5	48,6	21 000 b	20,0
22,0	30,8	42,9	20 300	40,4	45,6	19 300	46,5	46,9	18 600 b	22,0
24,0	17,7	38,4	18 100	31,2	42,8	17 300	38,5	44,7	16 600	24,0
26,0							28,8	41,7	14 900	26,0
28,0										28,0
30,0										30,0
32,0										32,0
34,0										34,0

MLC165-1 S-1

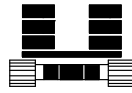
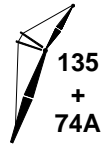
ASME B30.5



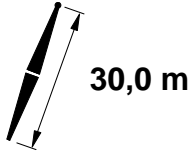
	75°			70°			65°			
	 m	 m	 kg	 m	 m	 kg	 m	 m	 kg	
9,8										9,8
10,0										10,0
12,0										12,0
14,0										14,0
16,0										16,0
18,0										18,0
20,0	61,6	49,6	19 600 c							20,0
22,0	55,3	48,4	17 300 b							22,0
24,0	48,4	46,8	15 500							24,0
26,0	40,8	44,8	13 900	50,1	46,4	12 900 b				26,0
28,0	31,7	42,0	12 600	42,7	44,5	11 700				28,0
30,0	19,1	37,8	11 500	34,0	41,9	10 700	44,2	43,8	9 800	30,0
32,0				22,7	38,2	9 700	35,9	41,4	9 000	32,0
34,0							25,3	38,1	8 200	34,0




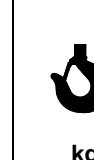

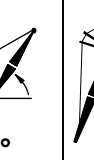




MLC165-1 S-1

ASME B30.5



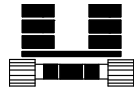
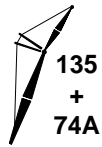
46 000 kg
+
0 kg



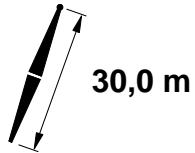
	87°			83°			80°				
	 m	 m	 m	 kg	 m	 kg	 m	 kg	 m		 kg
10,4	74,1	55,4	42 400 d								10,4
12,0	70,0	54,9	42 400 c								12,0
14,0	64,9	54,0	36 500 b	70,2	54,7	34 700 c					14,0
16,0	59,6	53,0	30 500 b	65,2	53,9	29 000 c					16,0
18,0	54,0	51,7	26 200	59,9	52,8	24 900 b	64,0	53,4	24 000 b		18,0
20,0	48,0	50,1	22 900	54,3	51,5	21 700 b	58,6	52,3	20 900 b		20,0
22,0	41,3	48,0	20 300	48,2	49,9	19 200	52,9	50,9	18 400 b		22,0
24,0	33,5	45,4	18 100	41,6	47,9	17 200	46,8	49,2	16 500		24,0
26,0	23,7	41,8	16 300	33,9	45,3	15 500	39,9	47,1	14 900		26,0
28,0				24,2	41,7	14 000	31,9	44,4	13 500		28,0
30,0							21,4	40,4	12 300		30,0
32,0											32,0
34,0											34,0
36,0											36,0
38,0											38,0

MLC165-1 S-1

ASME B30.5



46 000 kg
+
0 kg

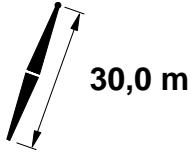
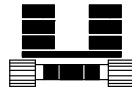
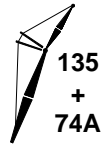










	75°			70°			65°			
	m	m	kg	m	m	kg	m	m	kg	m
10,4										10,4
12,0										12,0
14,0										14,0
16,0										16,0
18,0										18,0
20,0										20,0
22,0	60,1	52,0	17 200 b							22,0
24,0	54,5	50,7	15 300							24,0
26,0	48,5	49,1	13 800	55,9	50,2	12 800 b				26,0
28,0	41,9	47,1	12 500	50,0	48,7	11 500				28,0
30,0	34,2	44,6	11 400	43,5	46,8	10 500				30,0
32,0	24,7	41,0	10 400	36,2	44,4	9 600	44,9	46,1	8 800	32,0
34,0				27,2	41,2	8 800	37,7	43,9	8 100	34,0
36,0				13,8	35,8	8 100	29,2	40,8	7 400	36,0
38,0							17,3	36,2	6 800	38,0

REFERENCE ONLY

MLC165-1 S-1

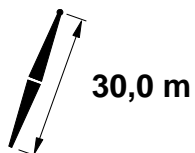
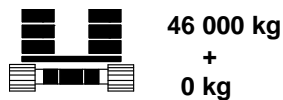
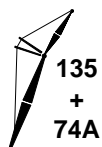
ASME B30.5


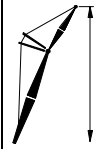


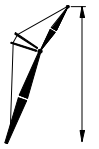


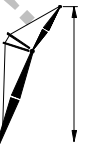



	87°			83°			80°			
	 m	 m	 kg	 m	 kg	 m	 kg	 m		
11,0	74,6	58,4	38 500 d						11,0	
12,0	72,3	58,1	38 400 c						12,0	
14,0	67,9	57,4	36 700 c						14,0	
16,0	63,3	56,5	30 500 b	68,1	57,2	29 000 c			16,0	
18,0	58,5	55,4	26 200	63,5	56,3	24 800 b			18,0	
20,0	53,5	54,0	22 900	58,7	55,2	21 700 b	62,4	55,8	20 800 b	20,0
22,0	48,1	52,4	20 200	53,7	53,8	19 200	57,6	54,6	18 400 b	22,0
24,0	42,2	50,4	18 100	48,3	52,2	17 100	52,5	53,2	16 400	24,0
26,0	35,5	47,9	16 300	42,4	50,2	15 400	47,0	51,5	14 800	26,0
28,0	27,5	44,6	14 800	35,8	47,8	14 000	41,0	49,5	13 400	28,0
30,0	16,3	39,7	13 500	27,9	44,6	12 800	34,2	46,9	12 200	30,0
32,0				16,9	39,7	11 700	25,8	43,4	11 200	32,0
34,0										34,0
36,0										36,0
38,0										38,0
40,0										40,0

MLC165-1 S-1

ASME B30.5

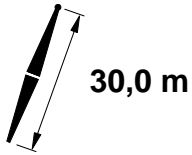
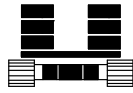
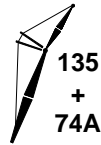


	75°			70°			65°			
										
	m	m	kg	m	m	kg	m	m	kg	m
11,0										11,0
12,0										12,0
14,0										14,0
16,0										16,0
18,0										18,0
20,0										20,0
22,0										22,0
24,0	58,9	54,3	15 200 b							24,0
26,0	53,9	53,0	13 700							26,0
28,0	48,6	51,4	12 400	55,1	52,5	11 500				28,0
30,0	42,7	49,4	11 300	49,9	51,0	10 400				30,0
32,0	36,1	47,0	10 400	44,2	49,1	9 500	50,9	50,2	8 700	32,0
34,0	28,3	43,8	9 500	37,8	46,8	8 800	45,3	48,4	8 000	34,0
36,0	17,5	39,1	8 800	30,3	43,8	8 100	39,1	46,2	7 400	36,0
38,0				20,6	39,6	7 400	31,9	43,4	6 800	38,0
40,0							22,8	39,6	6 300	40,0

REFERENCE ONLY

MLC165-1 S-1

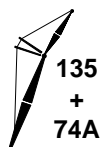
ASME B30.5



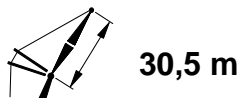
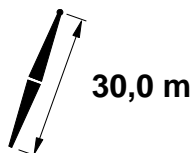
m	87°			83°			80°			m
	m	m	kg	m	m	kg	m	m	kg	
11,6	75,0	61,4	35 000 c							11,6
12,0	74,1	61,3	34 900 c							12,0
14,0	70,2	60,6	34 200 c							14,0
16,0	66,1	59,8	30 700 b							16,0
18,0	62,0	58,9	26 100	66,3	59,6	24 700 b				18,0
20,0	57,6	57,7	22 800	62,1	58,7	21 500 b	65,4	59,2	20 600 b	20,0
22,0	53,0	56,3	20 100	57,8	57,5	19 000	61,2	58,2	18 200 b	22,0
24,0	48,2	54,7	18 000	53,2	56,1	17 000	56,8	57,0	16 300	24,0
26,0	42,9	52,7	16 200	48,4	54,5	15 300	52,2	55,5	14 700	26,0
28,0	37,1	50,3	14 700	43,1	52,6	13 900	47,2	53,8	13 300	28,0
30,0	30,3	47,3	13 400	37,3	50,2	12 700	41,9	51,8	12 100	30,0
32,0	21,7	43,2	12 300	30,6	47,2	11 600	35,9	49,3	11 100	32,0
34,0				22,1	43,2	10 700	28,8	46,2	10 200	34,0
36,0							19,7	41,7	9 400	36,0
38,0										38,0
40,0										40,0
42,0										42,0
44,0										44,0

MLC165-1 S-1

ASME B30.5



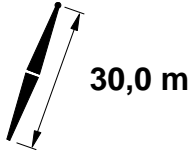
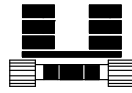
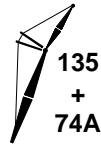
46 000 kg
+
0 kg




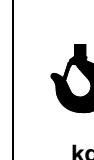

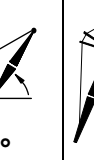






	75°			70°			65°			
	m	m	kg	m	m	kg	m	m	kg	m
11,6										11,6
12,0										12,0
14,0										14,0
16,0										16,0
18,0										18,0
20,0										20,0
22,0										22,0
24,0										24,0
26,0	58,0	56,7	13 600							26,0
28,0	53,4	55,3	12 300							28,0
30,0	48,6	53,7	11 200	54,5	54,8	10 300				30,0
32,0	43,4	51,8	10 200	49,8	53,3	9 400				32,0
34,0	37,6	49,4	9 400	44,7	51,4	8 600	50,8	52,5	7 800	34,0
36,0	30,9	46,5	8 700	39,0	49,2	7 900	45,7	50,8	7 200	36,0
38,0	22,5	42,5	8 000	32,6	46,4	7 300	40,2	48,6	6 700	38,0
40,0				24,8	42,8	6 800	34,0	46,0	6 100	40,0
42,0				13,2	36,9	6 300	26,5	42,5	5 700	42,0
44,0							16,1	37,4	5 200	44,0

MLC165-1 S-1

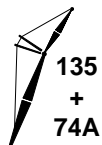
ASME B30.5



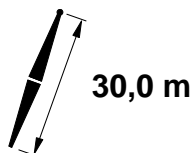
	87°			83°			80°				
	 m	 m	 m	 kg	 m	 kg	 m	 kg	 m		 kg
13,7	72,6	64,0	31 900 c								13,7
14,0	72,1	63,9	31 700 c								14,0
16,0	68,4	63,1	29 800 b								16,0
18,0	64,7	62,3	26 100	68,6	62,9	24 700 b					18,0
20,0	60,9	61,2	22 700	64,9	62,1	21 500					20,0
22,0	56,9	60,0	20 100	61,0	61,1	19 000	64,0	61,6	18 200 b		22,0
24,0	52,7	58,6	18 000	57,0	59,9	17 000	60,1	60,5	16 200		24,0
26,0	48,2	57,0	16 200	52,9	58,5	15 300	56,1	59,3	14 600		26,0
28,0	43,5	55,0	14 700	48,4	56,8	13 900	51,9	57,8	13 300		28,0
30,0	38,3	52,7	13 400	43,7	54,9	12 700	47,4	56,1	12 100		30,0
32,0	32,3	49,9	12 300	38,5	52,6	11 600	42,6	54,1	11 100		32,0
34,0	25,2	46,3	11 400	32,6	49,8	10 700	37,2	51,7	10 200		34,0
36,0	15,4	40,9	10 500	25,6	46,2	9 900	31,1	48,8	9 400		36,0
38,0				15,9	40,9	9 200	23,7	44,9	8 700		38,0
40,0											40,0
42,0											42,0
44,0											44,0
46,0											46,0


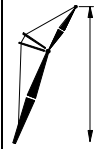


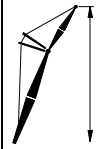


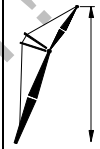

MLC165-1 S-1

ASME B30.5



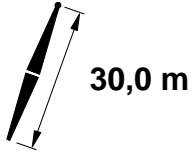
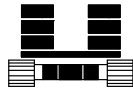
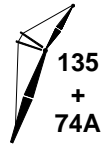
46 000 kg
+
0 kg



	75°			70°			65°			
	 m	 m	 kg	 m	 m	 kg	 m	 m	 kg	
13,7										13,7
14,0										14,0
16,0										16,0
18,0										18,0
20,0										20,0
22,0										22,0
24,0										24,0
26,0	61,2	60,2	13 500							26,0
28,0	57,2	59,0	12 300							28,0
30,0	53,0	57,6	11 200							30,0
32,0	48,6	56,0	10 200	54,1	57,1	9 400				32,0
34,0	43,9	54,1	9 400	49,7	55,6	8 600				34,0
36,0	38,7	51,8	8 700	45,1	53,7	7 900	50,6	54,8	7 200	36,0
38,0	32,9	49,0	8 000	40,0	51,6	7 300	46,0	53,1	6 600	38,0
40,0	25,9	45,5	7 400	34,4	48,9	6 800	41,1	51,0	6 100	40,0
42,0	16,4	40,3	6 900	27,7	45,6	6 300	35,5	48,4	5 700	42,0
44,0				19,1	41,0	5 800	29,1	45,3	5 300	44,0
46,0							21,1	41,0	4 900	46,0

MLC165-1 S-1

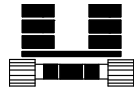
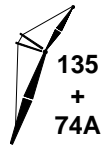
ASME B30.5



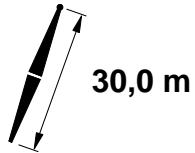
m	87°			83°			80°			m
	m	m	kg	m	m	kg	m	m	kg	
13,7	74,1	67,1	29 200 c							13,7
14,0	73,6	67,0	29 100 c							14,0
16,0	70,3	66,4	28 000 b							16,0
18,0	66,9	65,6	25 900							18,0
20,0	63,5	64,7	22 600	67,1	65,4	21 400				20,0
22,0	59,9	63,6	20 000	63,6	64,5	18 900	66,3	65,0	18 100	22,0
24,0	56,2	62,4	17 900	60,1	63,4	16 900	62,8	64,0	16 100	24,0
26,0	52,4	60,9	16 100	56,4	62,2	15 200	59,3	62,9	14 500	26,0
28,0	48,3	59,3	14 600	52,5	60,8	13 800	55,5	61,6	13 100	28,0
30,0	44,0	57,3	13 300	48,5	59,1	12 600	51,6	60,1	12 000	30,0
32,0	39,2	55,1	12 200	44,1	57,2	11 500	47,5	58,4	11 000	32,0
34,0	34,0	52,4	11 300	39,4	55,0	10 600	43,1	56,5	10 100	34,0
36,0	27,9	49,1	10 400	34,2	52,3	9 800	38,3	54,1	9 300	36,0
38,0	20,2	44,6	9 600	28,2	49,0	9 100	32,9	51,3	8 600	38,0
40,0				20,6	44,6	8 400	26,6	47,9	8 000	40,0
42,0							18,4	43,0	7 400	42,0
44,0										44,0
46,0										46,0
48,0										48,0
50,0										50,0

MLC165-1 S-1

ASME B30.5



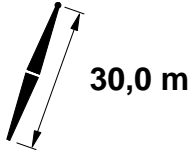
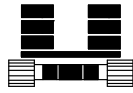
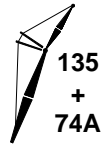
46 000 kg
+
0 kg



	75°			70°			65°			
	m	m	kg	m	m	kg	m	m	kg	m
13,7										13,7
14,0										14,0
16,0										16,0
18,0										18,0
20,0										20,0
22,0										22,0
24,0										24,0
26,0										26,0
28,0	60,2	62,6	12 100							28,0
30,0	56,6	61,4	11 000							30,0
32,0	52,7	59,9	10 100	57,5	60,8	9 200				32,0
34,0	48,7	58,3	9 300	53,7	59,5	8 400				34,0
36,0	44,3	56,4	8 500	49,7	57,9	7 800				36,0
38,0	39,7	54,2	7 900	45,4	56,0	7 200				38,0
40,0	34,5	51,5	7 300	40,8	53,9	6 600	46,3	55,4	6 000	40,0
42,0	28,5	48,3	6 800	35,8	51,4	6 200	41,8	53,3	5 500	42,0
44,0	21,0	43,9	6 300	30,0	48,3	5 700	36,8	50,9	5 100	44,0
46,0				23,0	44,3	5 300	31,2	47,9	4 800	46,0
48,0				12,7	38,0	4 900	24,5	44,1	4 400	48,0
50,0							15,3	38,6	4 100	50,0

MLC165-1 S-1

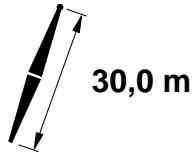
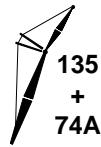
ASME B30.5



m	87°			83°			80°			m
	m	m	kg	m	m	kg	m	m	kg	
15,2	73,0	69,9	22 000 b							15,2
16,0	71,9	69,6	21 800 b							16,0
18,0	68,8	68,9	21 300							18,0
20,0	65,7	68,1	20 800	68,9	68,7	21 300				20,0
22,0	62,5	67,1	20 000	65,8	67,9	18 800				22,0
24,0	59,1	66,0	17 800	62,6	66,9	16 800	65,1	67,4	16 000	24,0
26,0	55,7	64,7	16 000	59,3	65,8	15 100	61,8	66,4	14 400	26,0
28,0	52,1	63,2	14 500	55,8	64,5	13 700	58,5	65,2	13 000	28,0
30,0	48,4	61,6	13 300	52,3	63,1	12 500	55,1	63,9	11 900	30,0
32,0	44,4	59,7	12 200	48,5	61,4	11 400	51,4	62,4	10 900	32,0
34,0	40,1	57,5	11 200	44,5	59,5	10 500	47,6	60,7	10 000	34,0
36,0	35,3	54,9	10 300	40,2	57,3	9 700	43,6	58,8	9 200	36,0
38,0	30,0	51,8	9 600	35,5	54,8	9 000	39,2	56,5	8 500	38,0
40,0	23,5	47,8	8 900	30,2	51,7	8 400	34,4	53,8	7 900	40,0
42,0	14,7	42,0	8 300	23,8	47,7	7 800	28,9	50,6	7 400	42,0
44,0				15,2	42,1	7 200	22,2	46,4	6 900	44,0
46,0										46,0
48,0										48,0
50,0										50,0
52,0										52,0

MLC165-1 S-1

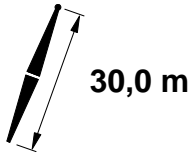
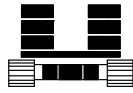
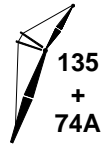
ASME B30.5



m	75°			70°			65°			m
	m	m	kg	m	m	kg	m	m	kg	
15,2										15,2
16,0										16,0
18,0										18,0
20,0										20,0
22,0										22,0
24,0										24,0
26,0										26,0
28,0										28,0
30,0	59,4	65,0	10 900							30,0
32,0	56,0	63,7	10 000							32,0
34,0	52,4	62,2	9 200	56,8	63,2	8 300				34,0
36,0	48,7	60,6	8 400	53,3	61,8	7 700				36,0
38,0	44,7	58,7	7 800	49,6	60,2	7 100				38,0
40,0	40,4	56,5	7 200	45,7	58,3	6 500	50,4	59,4	5 900	40,0
42,0	35,8	54,0	6 700	41,5	56,2	6 100	46,5	57,7	5 400	42,0
44,0	30,5	50,9	6 300	36,9	53,8	5 600	42,3	55,6	5 000	44,0
46,0	24,2	47,0	5 800	31,8	50,9	5 200	37,9	53,3	4 700	46,0
48,0	15,6	41,5	5 400	25,8	47,2	4 900	32,9	50,4	4 300	48,0
50,0				18,0	42,3	4 500	27,1	47,0	4 000	50,0
52,0							19,8	42,4	3 700	52,0

MLC165-1 S-1

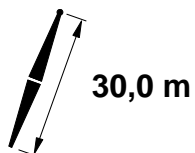
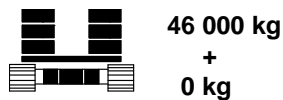
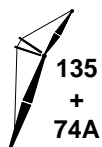
ASME B30.5



m	87°			83°			80°			m
	m	m	kg	m	m	kg	m	m	kg	
15,2	74,3	73,0	20 700 b							15,2
16,0	73,2	72,8	20 500 b							16,0
18,0	70,4	72,2	20 000							18,0
20,0	67,5	71,4	19 600	70,5	72,0	20 100				20,0
22,0	64,6	70,5	19 000	67,6	71,2	18 800				22,0
24,0	61,6	69,5	17 700	64,7	70,3	16 600				24,0
26,0	58,5	68,3	15 900	61,7	69,3	15 000	64,0	69,8	14 300	26,0
28,0	55,2	67,0	14 400	58,6	68,1	13 500	61,0	68,8	12 900	28,0
30,0	51,9	65,5	13 100	55,4	66,8	12 300	57,9	67,6	11 700	30,0
32,0	48,4	63,9	12 000	52,0	65,4	11 300	54,6	66,3	10 700	32,0
34,0	44,7	62,0	11 100	48,6	63,7	10 400	51,3	64,7	9 900	34,0
36,0	40,8	59,8	10 200	44,9	61,8	9 600	47,7	63,0	9 100	36,0
38,0	36,4	57,3	9 500	40,9	59,7	8 900	44,0	61,1	8 400	38,0
40,0	31,6	54,3	8 800	36,6	57,2	8 200	40,0	58,9	7 800	40,0
42,0	26,1	50,7	8 200	31,9	54,2	7 700	35,6	56,3	7 300	42,0
44,0	19,1	45,9	7 600	26,3	50,7	7 100	30,7	53,2	6 800	44,0
46,0				19,4	45,9	6 700	24,9	49,4	6 300	46,0
48,0							17,5	44,3	5 900	48,0
50,0										50,0
52,0										52,0
54,0										54,0
56,0										56,0

MLC165-1 S-1

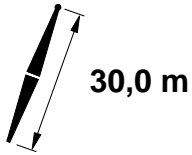
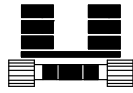
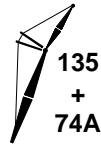
ASME B30.5



	75°			70°			65°			
	m	m	kg	m	m	kg	m	m	kg	m
15,2										15,2
16,0										16,0
18,0										18,0
20,0										20,0
22,0										22,0
24,0										24,0
26,0										26,0
28,0										28,0
30,0										30,0
32,0	58,7	67,3	9 800							32,0
34,0	55,5	66,0	9 000							34,0
36,0	52,2	64,6	8 300	56,3	65,5	7 500				36,0
38,0	48,7	62,9	7 700	53,0	64,1	6 900				38,0
40,0	45,0	61,0	7 100	49,6	62,5	6 400				40,0
42,0	41,1	58,9	6 600	45,9	60,7	5 900	50,3	61,7	5 300	42,0
44,0	36,8	56,4	6 100	42,1	58,6	5 500	46,7	60,0	4 900	44,0
46,0	32,1	53,5	5 700	37,9	56,2	5 100	42,9	58,0	4 500	46,0
48,0	26,6	49,9	5 300	33,3	53,4	4 700	38,7	55,6	4 200	48,0
50,0	19,8	45,3	4 900	28,0	50,0	4 400	34,2	52,9	3 900	50,0
52,0				21,6	45,7	4 100	29,1	49,7	3 600	52,0
54,0				12,4	39,1	3 800	23,0	45,6	3 300	54,0
56,0							14,7	39,7	3 100	56,0

MLC165-1 S-1

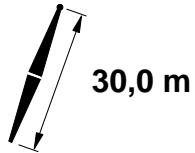
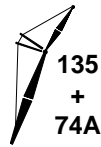
ASME B30.5



m	87°			83°			80°			m
	m	m	kg	m	m	kg	m	m	kg	
16,8	73,4	75,8	19 000 b							16,8
18,0	71,7	75,4	18 700							18,0
20,0	69,1	74,7	18 300							20,0
22,0	66,4	73,8	17 600	69,2	74,5	18 200				22,0
24,0	63,6	72,9	16 700	66,5	73,7	16 700				24,0
26,0	60,8	71,9	15 800	63,7	72,7	14 900	65,9	73,2	14 200	26,0
28,0	57,9	70,7	14 400	60,9	71,7	13 500	63,1	72,2	12 800	28,0
30,0	54,8	69,3	13 100	58,0	70,5	12 300	60,2	71,1	11 700	30,0
32,0	51,7	67,8	12 000	55,0	69,2	11 300	57,3	69,9	10 700	32,0
34,0	48,4	66,2	11 000	51,8	67,7	10 400	54,3	68,6	9 800	34,0
36,0	45,0	64,3	10 200	48,6	66,0	9 600	51,1	67,1	9 100	36,0
38,0	41,3	62,2	9 500	45,1	64,1	8 800	47,8	65,3	8 400	38,0
40,0	37,4	59,7	8 800	41,5	62,0	8 200	44,3	63,4	7 800	40,0
42,0	33,0	56,9	8 200	37,6	59,6	7 600	40,6	61,2	7 200	42,0
44,0	28,1	53,5	7 600	33,2	56,8	7 100	36,6	58,7	6 700	44,0
46,0	22,2	49,2	7 100	28,3	53,4	6 600	32,2	55,8	6 300	46,0
48,0	14,2	43,2	6 700	22,5	49,2	6 200	27,1	52,3	5 900	48,0
50,0				14,6	43,2	5 800	21,0	47,8	5 500	50,0
52,0										52,0
54,0										54,0
56,0										56,0
58,0										58,0

MLC165-1 S-1

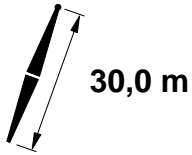
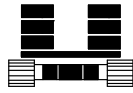
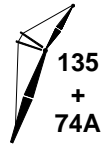
ASME B30.5




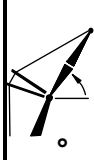
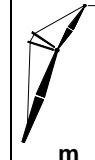





	75°			70°			65°			
m	m	m	kg	m	m	kg	m	m	kg	m
16,8										16,8
18,0										18,0
20,0										20,0
22,0										22,0
24,0										24,0
26,0										26,0
28,0										28,0
30,0										30,0
32,0	61,0	70,8	9 800							32,0
34,0	58,1	69,7	9 000							34,0
36,0	55,1	68,3	8 300							36,0
38,0	52,0	66,9	7 600	55,8	67,8	6 900				38,0
40,0	48,7	65,2	7 100	52,7	66,4	6 400				40,0
42,0	45,3	63,3	6 500	49,5	64,8	5 900				42,0
44,0	41,7	61,2	6 100	46,1	63,0	5 500	50,2	64,0	4 800	44,0
46,0	37,7	58,8	5 700	42,6	60,9	5 100	46,8	62,3	4 500	46,0
48,0	33,4	56,0	5 300	38,7	58,6	4 700	43,3	60,3	4 100	48,0
50,0	28,6	52,7	4 900	34,5	55,9	4 400	39,5	58,0	3 800	50,0
52,0	22,8	48,5	4 600	29,8	52,7	4 100	35,4	55,4	3 600	52,0
54,0	15,0	42,7	4 300	24,3	48,8	3 800	30,8	52,3	3 300	54,0
56,0				17,2	43,5	3 500	25,4	48,6	3 100	56,0
58,0							18,8	43,7	2 800	58,0

MLC165-1 S-1

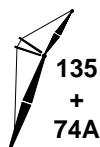
ASME B30.5



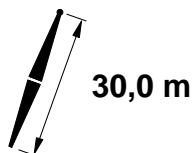
	87°			83°			80°			
	 m	 m	 kg	 m	 kg	 m	 kg	 m		
16,8	74,4	78,9	17 700 b						16,8	
18,0	72,9	78,6	17 400						18,0	
20,0	70,4	77,9	16 900						20,0	
22,0	67,9	77,2	16 100						22,0	
24,0	65,4	76,3	15 200	68,0	77,0	16 100			24,0	
26,0	62,8	75,3	14 400	65,5	76,1	14 800	67,5	76,5	14 100	26,0
28,0	60,1	74,2	13 600	62,9	75,1	13 400	64,9	75,6	12 700	28,0
30,0	57,3	73,0	12 800	60,2	74,0	12 200	62,3	74,6	11 600	30,0
32,0	54,5	71,7	11 900	57,4	72,8	11 100	59,6	73,5	10 600	32,0
34,0	51,5	70,2	10 900	54,6	71,5	10 200	56,8	72,3	9 700	34,0
36,0	48,5	68,5	10 100	51,7	70,0	9 400	54,0	70,9	8 900	36,0
38,0	45,3	66,6	9 400	48,6	68,3	8 700	51,0	69,4	8 300	38,0
40,0	41,9	64,5	8 700	45,4	66,4	8 100	47,9	67,6	7 600	40,0
42,0	38,2	62,1	8 100	42,0	64,4	7 500	44,6	65,7	7 100	42,0
44,0	34,2	59,4	7 500	38,4	62,0	7 000	41,2	63,6	6 600	44,0
46,0	29,8	56,2	7 000	34,4	59,3	6 500	37,5	61,1	6 200	46,0
48,0	24,6	52,3	6 600	30,0	56,1	6 100	33,4	58,3	5 700	48,0
50,0	18,2	47,2	6 200	24,9	52,2	5 700	28,9	55,0	5 400	50,0
52,0				18,5	47,2	5 300	23,6	51,0	5 000	52,0
54,0							16,8	45,5	4 700	54,0
56,0										56,0
58,0										58,0
60,0										60,0
62,0										62,0

MLC165-1 S-1

ASME B30.5



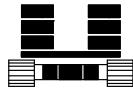
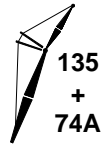
46 000 kg
+
0 kg



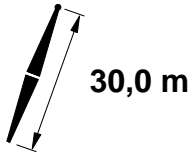
	75°			70°			65°			
	m	m	kg	m	m	kg	m	m	kg	m
16,8										16,8
18,0										18,0
20,0										20,0
22,0										22,0
24,0										24,0
26,0										26,0
28,0										28,0
30,0										30,0
32,0	63,0	74,3	9 600							32,0
34,0	60,3	73,2	8 800							34,0
36,0	57,6	72,0	8 100							36,0
38,0	54,7	70,7	7 500							38,0
40,0	51,8	69,2	6 900	55,4	70,1	6 200				40,0
42,0	48,7	67,5	6 400	52,5	68,7	5 700				42,0
44,0	45,5	65,6	5 900	49,5	67,1	5 300				44,0
46,0	42,2	63,6	5 500	46,3	65,3	4 900	50,1	66,3	4 300	46,0
48,0	38,5	61,2	5 100	43,0	63,2	4 600	47,0	64,6	4 000	48,0
50,0	34,6	58,5	4 800	39,4	61,0	4 200	43,7	62,6	3 700	50,0
52,0	30,2	55,4	4 500	35,5	58,3	3 900	40,1	60,4	3 400	52,0
54,0	25,1	51,5	4 200	31,3	55,3	3 700	36,3	57,8	3 200	54,0
56,0	18,8	46,6	3 900	26,4	51,7	3 400	32,2	54,9	2 900	56,0
58,0				20,5	47,1	3 100	27,4	51,4	2 700	58,0
60,0				12,1	40,2	2 900	21,8	47,0	2 500	60,0
62,0							14,2	40,9	2 200	62,0

MLC165-1 S-1

ASME B30.5



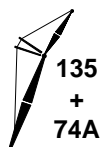
46 000 kg
+
0 kg



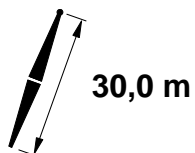
m	87°			83°			80°			m
	m	m	kg	m	m	kg	m	m	kg	
18,3	73,6	81,7	16 200							18,3
20,0	71,6	81,1	15 600							20,0
22,0	69,3	80,4	14 800							22,0
24,0	66,9	79,6	14 000	69,4	80,2	14 800				24,0
26,0	64,5	78,7	13 200	67,0	79,4	14 000				26,0
28,0	62,0	77,7	12 400	64,6	78,5	13 200	66,5	79,0	12 600	28,0
30,0	59,5	76,6	11 700	62,1	77,5	12 100	64,0	78,0	11 500	30,0
32,0	56,9	75,3	11 000	59,6	76,4	11 000	61,5	77,0	10 500	32,0
34,0	54,2	74,0	10 300	57,0	75,2	10 100	59,0	75,9	9 600	34,0
36,0	51,4	72,5	9 700	54,3	73,8	9 300	56,4	74,6	8 800	36,0
38,0	48,5	70,8	9 000	51,5	72,3	8 600	53,7	73,2	8 200	38,0
40,0	45,5	68,9	8 500	48,6	70,6	8 000	50,9	71,7	7 500	40,0
42,0	42,3	66,8	7 900	45,6	68,8	7 400	48,0	69,9	7 000	42,0
44,0	38,9	64,5	7 400	42,4	66,7	6 900	44,9	68,0	6 500	44,0
46,0	35,2	61,8	6 900	39,0	64,4	6 400	41,7	65,9	6 100	46,0
48,0	31,2	58,8	6 400	35,4	61,7	6 000	38,2	63,5	5 700	48,0
50,0	26,6	55,2	5 800	31,4	58,7	5 600	34,5	60,8	5 300	50,0
52,0	21,1	50,7	5 300	26,8	55,1	5 300	30,4	57,7	4 900	52,0
54,0	13,8	44,3	4 800	21,4	50,6	4 900	25,7	53,9	4 600	54,0
56,0				14,1	44,4	4 600	20,0	49,2	4 300	56,0
58,0										58,0
60,0										60,0
62,0										62,0
64,0										64,0

MLC165-1 S-1

ASME B30.5



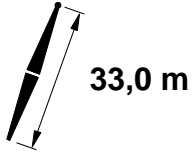
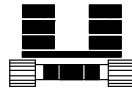
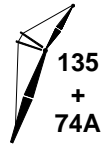
46 000 kg
+
0 kg



m	75°			70°			65°			m
	m	m	kg	m	m	kg	m	m	kg	
18,3										18,3
20,0										20,0
22,0										22,0
24,0										24,0
26,0										26,0
28,0										28,0
30,0										30,0
32,0										32,0
34,0	62,2	76,7	8 700							34,0
36,0	59,7	75,6	8 000							36,0
38,0	57,1	74,3	7 400							38,0
40,0	54,4	73,0	6 800							40,0
42,0	51,6	71,5	6 300	55,1	72,5	5 600				42,0
44,0	48,8	69,8	5 800	52,3	71,0	5 200				44,0
46,0	45,8	68,0	5 400	49,5	69,4	4 800				46,0
48,0	42,6	65,9	5 000	46,5	67,6	4 500	50,0	68,6	3 900	48,0
50,0	39,2	63,6	4 700	43,4	65,6	4 100	47,1	66,9	3 600	50,0
52,0	35,6	61,0	4 400	40,0	63,3	3 800	44,0	64,9	3 300	52,0
54,0	31,6	57,9	4 100	36,5	60,8	3 600	40,7	62,7	3 000	54,0
56,0	27,0	54,4	3 800	32,5	57,9	3 300	37,2	60,2	2 800	56,0
58,0	21,7	50,0	3 500	28,2	54,5	3 100	33,3	57,4	2 600	58,0
60,0	14,5	43,8	3 300	23,1	50,3	2 800	29,1	54,1	2 300	60,0
62,0				16,5	44,7	2 600	24,1	50,1	2 100	62,0
64,0				4,2	33,8	2 400	18,0	44,9	1 900	64,0

MLC165-1 S-1

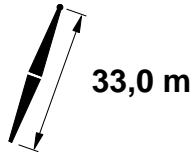
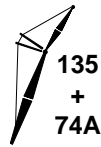
ASME B30.5



m	87°			83°			80°			m
	m	m	kg	m	m	kg	m	m	kg	
9,8	73,9	55,5	44 500 d							9,8
10,0	73,2	55,4	44 500 d							10,0
12,0	67,5	54,7	44 100 c							12,0
14,0	61,5	53,7	36 400 c	68,3	54,6	34 500 c				14,0
16,0	55,2	52,5	30 500 b	62,4	53,6	28 900 c				16,0
18,0	48,4	50,9	26 200	56,2	52,4	24 800 b	61,5	53,2	23 800 b	18,0
20,0	40,7	48,9	22 900	49,4	50,9	21 700 b	55,2	52,0	20 700 b	20,0
22,0	31,6	46,2	20 300	41,9	49,0	19 200	48,4	50,4	18 300 b	22,0
24,0	19,0	41,9	18 100	33,1	46,4	17 100	40,7	48,3	16 400	24,0
26,0				21,3	42,5	15 400	31,6	45,6	14 800	26,0
28,0							19,0	41,4	13 300	28,0
30,0										30,0
32,0										32,0
34,0										34,0
36,0										36,0

MLC165-1 S-1

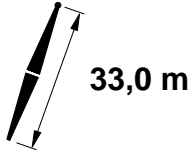
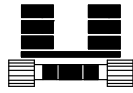
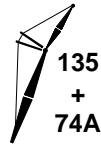
ASME B30.5




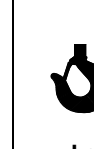

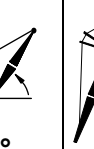
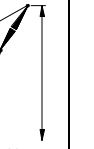





	75°			70°			65°			
m	m	m	kg	m	m	kg	m	m	kg	m
9,8										9,8
10,0										10,0
12,0										12,0
14,0										14,0
16,0										16,0
18,0										18,0
20,0										20,0
22,0	57,8	51,8	17 000 b							22,0
24,0	51,2	50,4	15 100 b							24,0
26,0	43,9	48,5	13 600	53,6	50,0	12 500 b				26,0
28,0	35,5	46,1	12 300	46,6	48,3	11 300 b				28,0
30,0	24,8	42,7	11 200	38,7	46,2	10 300	49,0	47,8	9 400	30,0
32,0				29,1	43,2	9 400	41,4	45,8	8 600	32,0
34,0							32,4	43,1	7 900	34,0
36,0							20,3	39,1	7 200	36,0

MLC165-1 S-1

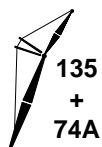
ASME B30.5



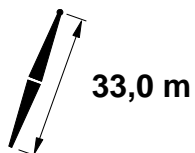
	87°			83°			80°				
	 m	 m	 m	 kg	 m	 kg	 m	 kg	 m		 kg
10,4	74,5	58,5	40 800 d								10,4
12,0	70,4	57,9	40 700 c								12,0
14,0	65,4	57,1	36 500 c								14,0
16,0	60,1	56,1	30 500 b	66,1	57,0	28 900 c					16,0
18,0	54,5	54,8	26 200	60,9	56,0	24 700 b					18,0
20,0	48,5	53,2	22 800	55,3	54,8	21 600 b	60,1	55,6	20 600 b		20,0
22,0	41,8	51,2	20 200	49,4	53,2	19 100	54,5	54,3	18 200 b		22,0
24,0	34,2	48,7	18 100	42,8	51,3	17 000	48,4	52,7	16 300		24,0
26,0	24,6	45,1	16 300	35,4	48,8	15 300	41,8	50,7	14 600		26,0
28,0				26,2	45,5	13 900	34,2	48,1	13 300		28,0
30,0				11,7	39,7	12 600	24,6	44,6	12 100		30,0
32,0							7,5	37,6	11 000		32,0
34,0											34,0
36,0											36,0
38,0											38,0

MLC165-1 S-1

ASME B30.5



46 000 kg
+
0 kg

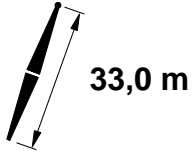
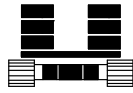
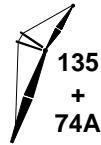


	75°			70°			65°			
	m	m	kg	m	m	kg	m	m	kg	m
10,4										10,4
12,0										12,0
14,0										14,0
16,0										16,0
18,0										18,0
20,0										20,0
22,0										22,0
24,0	56,7	54,1	15 000 b							24,0
26,0	50,9	52,7	13 500							26,0
28,0	44,6	50,9	12 200	53,1	52,3	11 200 b				28,0
30,0	37,4	48,6	11 100	46,9	50,6	10 200				30,0
32,0	28,8	45,5	10 200	40,1	48,5	9 300	48,9	50,0	8 400	32,0
34,0				32,1	45,8	8 500	42,4	48,1	7 700	34,0
36,0				21,8	41,9	7 800	34,9	45,6	7 100	36,0
38,0							25,5	42,2	6 500	38,0

REFERENCE ONLY

MLC165-1 S-1

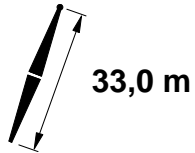
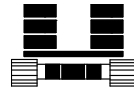
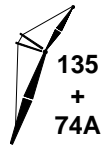
ASME B30.5



	87°			83°			80°			
	m	m	kg	m	m	kg	m	m	kg	
11,0	74,9	61,4	36 900 d							11,0
12,0	72,7	61,2	36 800 c							12,0
14,0	68,2	60,4	36 100 c							14,0
16,0	63,7	59,6	30 500 b	68,9	60,3	28 800 c				16,0
18,0	58,9	58,5	26 100 b	64,3	59,5	24 600 b				18,0
20,0	53,9	57,1	22 800	59,6	58,4	21 500 b	63,7	59,0	20 500 b	20,0
22,0	48,5	55,5	20 200	54,6	57,1	19 000	58,9	57,9	18 100 b	22,0
24,0	42,7	53,6	18 000	49,3	55,5	17 000	53,9	56,6	16 200	24,0
26,0	36,1	51,1	16 300	43,6	53,6	15 300	48,5	55,0	14 600	26,0
28,0	28,2	47,9	14 700	37,1	51,3	13 900	42,7	53,0	13 200	28,0
30,0	17,5	43,2	13 400	29,5	48,2	12 700	36,1	50,6	12 100	30,0
32,0				19,4	43,8	11 600	28,2	47,4	11 000	32,0
34,0							17,4	42,6	10 100	34,0
36,0										36,0
38,0										38,0
40,0										40,0
42,0										42,0

MLC165-1 S-1

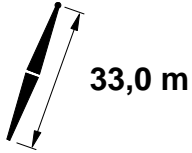
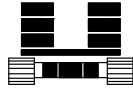
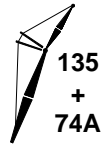
ASME B30.5



	75°			70°			65°			
	m	m	kg	m	m	kg	m	m	kg	m
11,0										11,0
12,0										12,0
14,0										14,0
16,0										16,0
18,0										18,0
20,0										20,0
22,0										22,0
24,0										24,0
26,0	55,9	56,5	13 400							26,0
28,0	50,7	55,0	12 100							28,0
30,0	45,1	53,2	11 100	52,6	54,6	10 100				30,0
32,0	38,8	50,9	10 100	47,2	52,9	9 200				32,0
34,0	31,6	48,1	9 300	41,2	50,9	8 500	49,0	52,4	7 600	34,0
36,0	22,3	44,2	8 600	34,4	48,3	7 800	43,2	50,4	7 000	36,0
38,0				26,0	44,9	7 200	36,6	48,0	6 500	38,0
40,0							28,9	44,9	6 000	40,0
42,0							18,5	40,4	5 500	42,0

MLC165-1 S-1

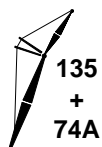
ASME B30.5



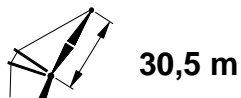
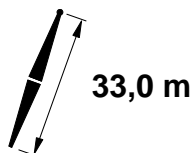
	87°			83°			80°			
	m	m	kg	m	m	kg	m	m	kg	
12,2	74,1	64,3	33 800 c							12,2
14,0	70,5	63,7	33 400 c							14,0
16,0	66,5	62,9	30 700 b							16,0
18,0	62,3	62,0	26 000	67,1	62,8	24 500 b				18,0
20,0	58,0	60,8	22 700	62,9	61,9	21 300 b	66,5	62,4	20 400 b	20,0
22,0	53,4	59,4	20 100	58,6	60,7	18 900	62,3	61,4	18 000 b	22,0
24,0	48,6	57,8	17 900	54,1	59,4	16 800	58,0	60,3	16 000	24,0
26,0	43,3	55,9	16 200	49,3	57,8	15 200	53,4	58,9	14 400	26,0
28,0	37,5	53,5	14 700	44,1	55,9	13 800	48,6	57,3	13 100	28,0
30,0	30,8	50,6	13 400	38,4	53,7	12 600	43,3	55,3	11 900	30,0
32,0	22,5	46,6	12 300	31,9	50,8	11 500	37,5	53,0	10 900	32,0
34,0				23,9	47,0	10 600	30,8	50,1	10 100	34,0
36,0				11,4	40,8	9 700	22,4	46,1	9 300	36,0
38,0							8,1	38,7	8 500	38,0
40,0										40,0
42,0										42,0
44,0										44,0

MLC165-1 S-1

ASME B30.5



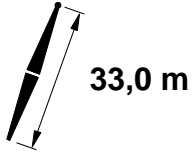
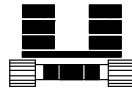
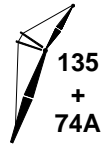
46 000 kg
+
0 kg



	75°			70°			65°			
	m	m	kg	m	m	kg	m	m	kg	m
12,2										12,2
14,0										14,0
16,0										16,0
18,0										18,0
20,0										20,0
22,0										22,0
24,0										24,0
26,0	59,7	60,1	13 200							26,0
28,0	55,2	58,8	12 000							28,0
30,0	50,5	57,3	10 900							30,0
32,0	45,5	55,5	10 000	52,3	56,9	9 000				32,0
34,0	39,9	53,3	9 200	47,4	55,3	8 300				34,0
36,0	33,6	50,6	8 500	42,0	53,2	7 600	49,0	54,7	6 800	36,0
38,0	26,1	47,2	7 800	36,0	50,8	7 100	43,8	52,8	6 300	38,0
40,0				29,0	47,6	6 500	38,0	50,4	5 800	40,0
42,0				20,0	43,2	6 000	31,4	47,6	5 400	42,0
44,0							23,2	43,7	5 000	44,0

MLC165-1 S-1

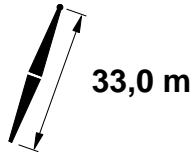
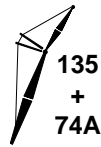
ASME B30.5



m	87°			83°			80°			m
	m	m	kg	m	m	kg	m	m	kg	
13,7	72,9	67,0	30 900 c							13,7
14,0	72,3	66,9	30 800 c							14,0
16,0	68,7	66,2	29 600 b							16,0
18,0	65,0	65,4	26 100							18,0
20,0	61,2	64,3	22 600	65,5	65,2	21 300 b				20,0
22,0	57,2	63,2	20 000	61,7	64,3	18 800	65,0	64,8	18 000 b	22,0
24,0	53,0	61,8	17 900	57,8	63,1	16 800	61,2	63,8	16 000	24,0
26,0	48,6	60,1	16 100	53,6	61,7	15 200	57,2	62,6	14 400	26,0
28,0	43,9	58,2	14 700	49,3	60,1	13 800	53,0	61,2	13 100	28,0
30,0	38,7	55,9	13 400	44,6	58,3	12 600	48,6	59,6	11 900	30,0
32,0	32,8	53,2	12 300	39,5	56,0	11 500	43,9	57,7	10 900	32,0
34,0	25,9	49,6	11 300	33,8	53,4	10 600	38,7	55,4	10 100	34,0
36,0	16,4	44,4	10 400	27,0	49,9	9 800	32,8	52,6	9 300	36,0
38,0				18,1	45,1	9 100	25,8	49,1	8 600	38,0
40,0							16,3	43,9	8 000	40,0
42,0										42,0
44,0										44,0
46,0										46,0
48,0										48,0

MLC165-1 S-1

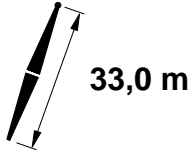
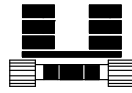
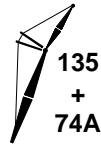
ASME B30.5



	75°			70°			65°			
	m	m	kg	m	m	kg	m	m	kg	
13,7										13,7
14,0										14,0
16,0										16,0
18,0										18,0
20,0										20,0
22,0										22,0
24,0										24,0
26,0	62,7	63,5	13 200							26,0
28,0	58,8	62,4	12 000							28,0
30,0	54,7	61,1	10 900							30,0
32,0	50,4	59,6	10 000	56,2	60,7	9 000				32,0
34,0	45,8	57,8	9 200	52,0	59,2	8 300				34,0
36,0	40,8	55,7	8 500	47,5	57,6	7 600				36,0
38,0	35,3	53,1	7 800	42,7	55,6	7 000	49,0	57,0	6 300	38,0
40,0	28,8	49,9	7 300	37,4	53,2	6 500	44,3	55,1	5 800	40,0
42,0	20,6	45,6	6 700	31,3	50,2	6 100	39,1	52,8	5 400	42,0
44,0				23,9	46,4	5 600	33,3	50,1	5 000	44,0
46,0							26,5	46,6	4 600	46,0
48,0							17,3	41,6	4 300	48,0

MLC165-1 S-1

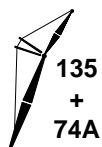
ASME B30.5



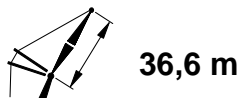
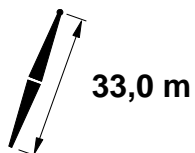
m	87°			83°			80°			m
	m	m	kg	m	m	kg	m	m	kg	
13,7	74,3	70,2	28 300 c							13,7
14,0	73,9	70,1	28 300 c							14,0
16,0	70,6	69,5	27 700 b							16,0
18,0	67,2	68,7	25 700							18,0
20,0	63,8	67,8	22 500	67,7	68,6	21 200 b				20,0
22,0	60,2	66,7	19 900	64,3	67,7	18 700				22,0
24,0	56,5	65,5	17 800	60,7	66,6	16 700	63,8	67,2	15 900	24,0
26,0	52,7	64,1	16 000	57,1	65,4	15 000	60,2	66,2	14 300	26,0
28,0	48,6	62,4	14 600	53,3	64,0	13 600	56,5	64,9	12 900	28,0
30,0	44,3	60,5	13 300	49,2	62,4	12 400	52,7	63,5	11 800	30,0
32,0	39,6	58,3	12 200	45,0	60,6	11 400	48,6	61,9	10 800	32,0
34,0	34,4	55,7	11 200	40,3	58,4	10 500	44,3	60,0	9 900	34,0
36,0	28,4	52,4	10 400	35,2	55,8	9 700	39,6	57,8	9 200	36,0
38,0	20,9	48,0	9 600	29,4	52,7	9 000	34,4	55,1	8 500	38,0
40,0				22,1	48,5	8 300	28,4	51,8	7 900	40,0
42,0				11,2	41,8	7 700	20,9	47,5	7 300	42,0
44,0							8,5	39,8	6 800	44,0
46,0										46,0
48,0										48,0
50,0										50,0

MLC165-1 S-1

ASME B30.5



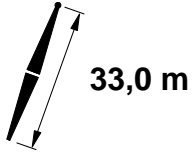
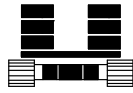
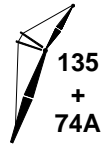
46 000 kg
+
0 kg



m	75°			70°			65°			m
	m	m	kg	m	m	kg	m	m	kg	
13,7										13,7
14,0										14,0
16,0										16,0
18,0										18,0
20,0										20,0
22,0										22,0
24,0										24,0
26,0										26,0
28,0	61,6	65,9	11 800							28,0
30,0	58,0	64,8	10 700							30,0
32,0	54,2	63,4	9 800							32,0
34,0	50,3	61,9	9 000	55,6	63,0	8 100				34,0
36,0	46,1	60,1	8 300	51,7	61,5	7 500				36,0
38,0	41,5	58,0	7 700	47,6	59,9	6 900				38,0
40,0	36,6	55,5	7 100	43,2	57,9	6 400	49,0	59,3	5 600	40,0
42,0	30,9	52,6	6 600	38,4	55,6	5 900	44,7	57,4	5 200	42,0
44,0	24,2	48,7	6 100	33,1	52,8	5 500	40,0	55,2	4 800	44,0
46,0				26,8	49,3	5 100	34,9	52,6	4 500	46,0
48,0				18,7	44,6	4 700	28,9	49,4	4 100	48,0
50,0							21,6	45,1	3 800	50,0

MLC165-1 S-1

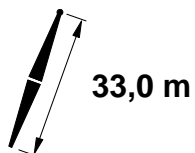
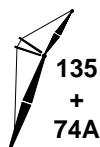
ASME B30.5



m	87°			83°			80°			m
	m	m	kg	m	m	kg	m	m	kg	
15,2	73,3	72,9	21 600 b							15,2
16,0	72,1	72,7	21 400 b							16,0
18,0	69,0	72,0	20 900							18,0
20,0	65,9	71,1	20 500	69,5	71,8	21 000 b				20,0
22,0	62,7	70,2	19 700	66,4	71,0	18 600				22,0
24,0	59,4	69,1	17 800	63,2	70,1	16 600	65,9	70,6	15 800	24,0
26,0	56,0	67,8	16 000	59,9	69,0	14 900	62,7	69,6	14 200	26,0
28,0	52,4	66,4	14 500	56,5	67,8	13 500	59,4	68,5	12 800	28,0
30,0	48,7	64,7	13 200	52,9	66,3	12 300	56,0	67,3	11 700	30,0
32,0	44,7	62,8	12 100	49,2	64,7	11 300	52,4	65,8	10 700	32,0
34,0	40,4	60,7	11 200	45,3	62,9	10 400	48,7	64,2	9 800	34,0
36,0	35,7	58,1	10 300	41,1	60,8	9 600	44,7	62,3	9 100	36,0
38,0	30,4	55,0	9 600	36,4	58,3	8 900	40,4	60,1	8 400	38,0
40,0	24,1	51,2	8 900	31,2	55,3	8 300	35,7	57,6	7 800	40,0
42,0	15,6	45,6	8 300	25,1	51,5	7 700	30,4	54,5	7 300	42,0
44,0				17,1	46,4	7 200	24,1	50,6	6 800	44,0
46,0							15,6	45,1	6 300	46,0
48,0										48,0
50,0										50,0
52,0										52,0
54,0										54,0

MLC165-1 S-1

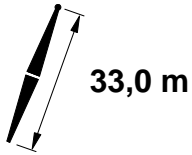
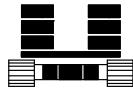
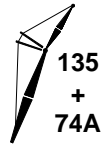
ASME B30.5



m	75°			70°			65°			m
	m	m	kg	m	m	kg	m	m	kg	
15,2										15,2
16,0										16,0
18,0										18,0
20,0										20,0
22,0										22,0
24,0										24,0
26,0										26,0
28,0										28,0
30,0	60,7	68,3	10 600							30,0
32,0	57,4	67,1	9 700							32,0
34,0	53,8	65,7	8 900							34,0
36,0	50,2	64,2	8 200	55,1	65,3	7 400				36,0
38,0	46,3	62,4	7 600	51,5	63,9	6 800				38,0
40,0	42,2	60,3	7 000	47,7	62,2	6 300				40,0
42,0	37,6	58,0	6 500	43,7	60,2	5 800	49,0	61,6	5 100	42,0
44,0	32,6	55,1	6 100	39,3	57,9	5 400	45,0	59,7	4 700	44,0
46,0	26,8	51,6	5 600	34,5	55,3	5 000	40,8	57,5	4 400	46,0
48,0	19,4	46,9	5 300	29,0	52,1	4 600	36,1	55,0	4 000	48,0
50,0				22,4	47,9	4 300	30,9	52,0	3 800	50,0
52,0							24,7	48,2	3 500	52,0
54,0							16,4	42,9	3 200	54,0

MLC165-1 S-1

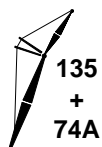
ASME B30.5



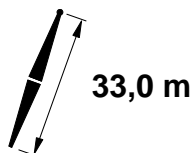
m	87°			83°			80°			m
	m	m	kg	m	m	kg	m	m	kg	
15,2	74,5	76,1	20 300 b							15,2
16,0	73,4	75,9	20 100 b							16,0
18,0	70,6	75,2	19 600							18,0
20,0	67,7	74,5	19 200							20,0
22,0	64,8	73,6	18 800	68,2	74,3	18 500				22,0
24,0	61,8	72,6	17 700	65,2	73,5	16 500				24,0
26,0	58,7	71,4	15 800	62,2	72,5	14 800	64,8	73,0	14 000	26,0
28,0	55,5	70,1	14 400	59,2	71,4	13 400	61,8	72,0	12 700	28,0
30,0	52,2	68,7	13 100	56,0	70,1	12 200	58,7	70,9	11 600	30,0
32,0	48,7	67,0	12 000	52,7	68,7	11 200	55,5	69,6	10 600	32,0
34,0	45,0	65,2	11 000	49,2	67,0	10 300	52,2	68,1	9 700	34,0
36,0	41,1	63,0	10 200	45,6	65,2	9 500	48,7	66,5	9 000	36,0
38,0	36,8	60,5	9 500	41,7	63,1	8 800	45,0	64,6	8 300	38,0
40,0	32,0	57,6	8 800	37,4	60,7	8 100	41,1	62,5	7 700	40,0
42,0	26,6	54,1	8 200	32,8	57,8	7 600	36,8	60,0	7 100	42,0
44,0	19,7	49,4	7 600	27,4	54,4	7 100	32,0	57,1	6 600	44,0
46,0				20,9	49,9	6 600	26,5	53,5	6 200	46,0
48,0				11,1	42,9	6 100	19,7	48,8	5 800	48,0
50,0							8,8	40,9	5 400	50,0
52,0										52,0
54,0										54,0
56,0										56,0

MLC165-1 S-1

ASME B30.5



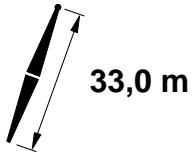
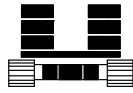
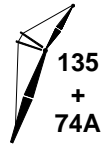
46 000 kg
+
0 kg



	75°			70°			65°			
	m	m	kg	m	m	kg	m	m	kg	m
15,2										15,2
16,0										16,0
18,0										18,0
20,0										20,0
22,0										22,0
24,0										24,0
26,0										26,0
28,0										28,0
30,0										30,0
32,0	59,9	70,7	9 600							32,0
34,0	56,8	69,5	8 800							34,0
36,0	53,5	68,1	8 100							36,0
38,0	50,1	66,5	7 400	54,7	67,7	6 600				38,0
40,0	46,5	64,7	6 900	51,4	66,2	6 100				40,0
42,0	42,7	62,7	6 400	47,8	64,5	5 700				42,0
44,0	38,5	60,3	5 900	44,1	62,5	5 200	49,0	63,9	4 600	44,0
46,0	34,0	57,6	5 500	40,1	60,3	4 900	45,3	62,0	4 200	46,0
48,0	28,9	54,3	5 100	35,7	57,7	4 500	41,4	59,9	3 900	48,0
50,0	22,7	50,2	4 800	30,8	54,7	4 200	37,2	57,4	3 600	50,0
52,0				25,1	50,9	3 900	32,5	54,6	3 300	52,0
54,0				17,7	45,8	3 600	27,0	51,1	3 100	54,0
56,0							20,4	46,5	2 800	56,0

MLC165-1 S-1

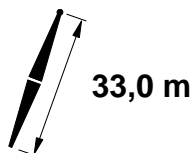
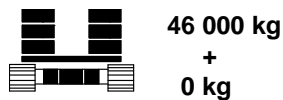
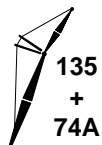
ASME B30.5



m	87°			83°			80°			m
	m	m	kg	m	m	kg	m	m	kg	
16,8	73,6	78,8	18 700 b							16,8
18,0	71,9	78,4	18 400							18,0
20,0	69,3	77,7	18 000							20,0
22,0	66,6	76,9	17 500	69,7	77,6	17 900				22,0
24,0	63,8	76,0	16 700	67,0	76,8	16 500				24,0
26,0	61,0	75,0	15 800	64,2	75,9	14 800	66,6	76,4	14 000	26,0
28,0	58,1	73,8	14 300	61,4	74,9	13 400	63,8	75,5	12 600	28,0
30,0	55,1	72,5	13 100	58,5	73,7	12 200	61,0	74,4	11 500	30,0
32,0	52,0	71,0	12 000	55,5	72,4	11 100	58,1	73,2	10 500	32,0
34,0	48,7	69,3	11 000	52,4	71,0	10 200	55,1	71,9	9 700	34,0
36,0	45,3	67,5	10 200	49,2	69,3	9 400	52,0	70,4	8 900	36,0
38,0	41,6	65,3	9 400	45,8	67,5	8 700	48,7	68,8	8 200	38,0
40,0	37,7	62,9	8 800	42,2	65,4	8 100	45,3	66,9	7 600	40,0
42,0	33,4	60,1	8 200	38,3	63,1	7 500	41,6	64,8	7 100	42,0
44,0	28,5	56,8	7 600	34,1	60,3	7 000	37,7	62,4	6 600	44,0
46,0	22,7	52,6	7 100	29,3	57,1	6 600	33,4	59,6	6 200	46,0
48,0	15,0	46,8	6 600	23,7	53,1	6 100	28,5	56,3	5 700	48,0
50,0				16,3	47,6	5 700	22,7	52,1	5 400	50,0
52,0							14,9	46,2	5 000	52,0
54,0										54,0
56,0										56,0
58,0										58,0
60,0										60,0

MLC165-1 S-1

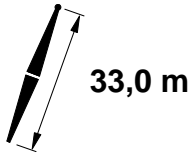
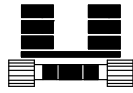
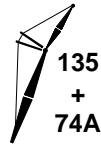
ASME B30.5



	75°			70°			65°			
	m	m	kg	m	m	kg	m	m	kg	m
16,8										16,8
18,0										18,0
20,0										20,0
22,0										22,0
24,0										24,0
26,0										26,0
28,0										28,0
30,0										30,0
32,0	62,1	74,2	9 500							32,0
34,0	59,3	73,0	8 700							34,0
36,0	56,3	71,8	8 000							36,0
38,0	53,2	70,4	7 400							38,0
40,0	50,0	68,8	6 800	54,4	70,0	6 100				40,0
42,0	46,7	67,0	6 300	51,2	68,5	5 600				42,0
44,0	43,1	65,0	5 900	47,9	66,8	5 200				44,0
46,0	39,3	62,7	5 500	44,4	64,8	4 800	49,0	66,2	4 200	46,0
48,0	35,2	60,1	5 100	40,7	62,7	4 500	45,6	64,3	3 900	48,0
50,0	30,5	57,0	4 800	36,7	60,2	4 200	41,9	62,2	3 600	50,0
52,0	25,2	53,2	4 400	32,3	57,3	3 900	38,0	59,8	3 300	52,0
54,0	18,4	48,2	4 100	27,2	53,8	3 600	33,8	57,1	3 000	54,0
56,0				21,1	49,3	3 300	28,9	53,8	2 800	56,0
58,0							23,2	49,7	2 600	58,0
60,0							15,7	44,1	2 300	60,0

MLC165-1 S-1

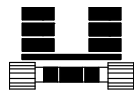
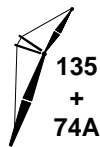
ASME B30.5



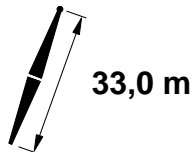
m	87°			83°			80°			m
	m	m	kg	m	m	kg	m	m	kg	
16,8	74,6	82,0	17 400 b							16,8
18,0	73,1	81,6	17 200							18,0
20,0	70,6	81,0	16 700							20,0
22,0	68,1	80,2	16 000							22,0
24,0	65,6	79,4	15 200	68,5	80,1	16 100				24,0
26,0	63,0	78,4	14 400	65,9	79,3	14 600				26,0
28,0	60,3	77,3	13 600	63,3	78,3	13 200	65,6	78,8	12 500	28,0
30,0	57,5	76,1	12 800	60,7	77,2	12 000	63,0	77,9	11 400	30,0
32,0	54,7	74,8	11 900	58,0	76,1	11 000	60,3	76,8	10 400	32,0
34,0	51,8	73,3	10 900	55,1	74,7	10 100	57,5	75,6	9 500	34,0
36,0	48,7	71,6	10 100	52,2	73,3	9 300	54,7	74,2	8 800	36,0
38,0	45,5	69,8	9 300	49,2	71,6	8 600	51,8	72,7	8 100	38,0
40,0	42,1	67,7	8 600	46,0	69,8	8 000	48,7	71,1	7 500	40,0
42,0	38,5	65,3	8 000	42,6	67,8	7 400	45,5	69,2	7 000	42,0
44,0	34,5	62,6	7 500	39,0	65,4	6 900	42,1	67,1	6 500	44,0
46,0	30,2	59,5	7 000	35,1	62,8	6 500	38,5	64,8	6 000	46,0
48,0	25,1	55,6	6 600	30,8	59,7	6 000	34,5	62,1	5 600	48,0
50,0	18,8	50,7	6 100	25,9	56,0	5 600	30,1	58,9	5 300	50,0
52,0				19,8	51,3	5 300	25,1	55,1	4 900	52,0
54,0				11,0	44,0	4 900	18,8	50,1	4 600	54,0
56,0							9,0	42,0	4 300	56,0
58,0										58,0
60,0										60,0
62,0										62,0
64,0										64,0

MLC165-1 S-1

ASME B30.5



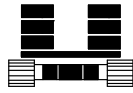
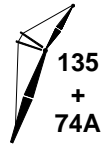
46 000 kg
+
0 kg



	75°			70°			65°			
	m	m	kg	m	m	kg	m	m	kg	m
16,8										16,8
18,0										18,0
20,0										20,0
22,0										22,0
24,0										24,0
26,0										26,0
28,0										28,0
30,0										30,0
32,0										32,0
34,0	61,4	76,6	8 600							34,0
36,0	58,6	75,4	7 900							36,0
38,0	55,9	74,1	7 300							38,0
40,0	53,0	72,7	6 700	56,9	73,7	5 900				40,0
42,0	50,0	71,1	6 200	54,0	72,3	5 500				42,0
44,0	46,8	69,3	5 800	51,1	70,8	5 000				44,0
46,0	43,5	67,3	5 300	48,0	69,1	4 700	52,0	70,1	4 000	46,0
48,0	40,0	65,1	5 000	44,7	67,1	4 300	49,0	68,5	3 700	48,0
50,0	36,2	62,5	4 600	41,3	65,0	4 000	45,8	66,6	3 400	50,0
52,0	32,0	59,6	4 300	37,6	62,6	3 700	42,4	64,6	3 100	52,0
54,0	27,2	56,0	4 000	33,5	59,8	3 400	38,8	62,2	2 900	54,0
56,0	21,5	51,6	3 700	29,0	56,5	3 200	34,9	59,6	2 600	56,0
58,0				23,7	52,4	3 000	30,5	56,4	2 400	58,0
60,0				17,0	47,1	2 700	25,5	52,7	2 200	60,0
62,0							19,4	47,8	1 900	62,0
64,0							10,1	40,2	1 700	64,0

MLC165-1 S-1

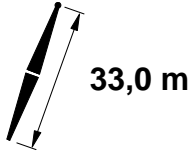
ASME B30.5



46 000 kg
+
0 kg



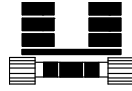
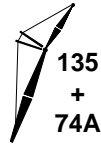
360°



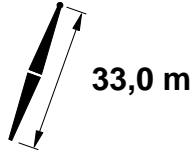
m	87°			83°			80°			m
	m	m	kg	m	m	kg	m	m	kg	
18,3	73,8	84,7	15 900							18,3
20,0	71,8	84,2	15 500							20,0
22,0	69,5	83,5	14 700							22,0
24,0	67,1	82,7	13 900							24,0
26,0	64,7	81,8	13 200	67,4	82,6	14 100				26,0
28,0	62,2	80,8	12 400	65,0	81,7	13 200	67,1	82,2	12 400	28,0
30,0	59,7	79,7	11 700	62,6	80,7	11 900	64,7	81,3	11 300	30,0
32,0	57,1	78,5	11 000	60,0	79,6	10 900	62,2	80,3	10 300	32,0
34,0	54,4	77,1	10 400	57,5	78,4	10 000	59,7	79,2	9 400	34,0
36,0	51,6	75,6	9 700	54,8	77,1	9 200	57,1	77,9	8 700	36,0
38,0	48,7	73,9	9 100	52,0	75,6	8 500	54,4	76,6	8 000	38,0
40,0	45,7	72,1	8 500	49,2	73,9	7 900	51,6	75,0	7 400	40,0
42,0	42,6	70,0	8 000	46,2	72,1	7 300	48,7	73,4	6 900	42,0
44,0	39,2	67,7	7 400	43,0	70,1	6 800	45,7	71,5	6 400	44,0
46,0	35,5	65,1	6 900	39,7	67,8	6 400	42,5	69,5	5 900	46,0
48,0	31,5	62,1	6 400	36,1	65,2	5 900	39,2	67,2	5 500	48,0
50,0	27,0	58,5	5 900	32,1	62,3	5 500	35,5	64,5	5 200	50,0
52,0	21,6	54,1	5 300	27,7	58,8	5 200	31,5	61,5	4 800	52,0
54,0	14,5	47,9	4 900	22,5	54,5	4 900	27,0	57,9	4 500	54,0
56,0				15,7	48,8	4 500	21,6	53,5	4 200	56,0
58,0							14,5	47,4	3 900	58,0
60,0										60,0
62,0										62,0
64,0										64,0

MLC165-1 S-1

ASME B30.5



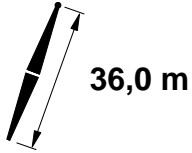
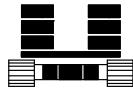
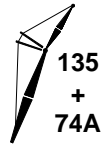
46 000 kg
+
0 kg



	75°			70°			65°			
	m	m	kg	m	m	kg	m	m	kg	m
18,3										18,3
20,0										20,0
22,0										22,0
24,0										24,0
26,0										26,0
28,0										28,0
30,0										30,0
32,0										32,0
34,0										34,0
36,0	60,7	78,9	7 800							36,0
38,0	58,1	77,7	7 100							38,0
40,0	55,5	76,4	6 600							40,0
42,0	52,7	75,0	6 100	56,4	76,0	5 300				42,0
44,0	49,9	73,4	5 600	53,7	74,6	4 900				44,0
46,0	46,9	71,6	5 200	50,9	73,1	4 600				46,0
48,0	43,8	69,6	4 900	48,0	71,4	4 200	51,8	72,4	3 600	48,0
50,0	40,5	67,4	4 500	45,0	69,5	3 900	49,0	70,8	3 300	50,0
52,0	37,0	64,9	4 200	41,8	67,3	3 600	46,0	68,9	3 000	52,0
54,0	33,2	62,1	3 900	38,3	65,0	3 300	42,8	66,9	2 700	54,0
56,0	28,9	58,8	3 600	34,6	62,3	3 100	39,5	64,6	2 500	56,0
58,0	23,9	54,7	3 400	30,5	59,1	2 900	35,8	62,0	2 200	58,0
60,0	17,7	49,5	3 100	25,8	55,4	2 600	31,9	59,0	2 000	60,0
62,0				20,1	50,7	2 400	27,4	55,5	1 800	62,0
64,0				12,2	43,8	2 200	22,1	51,2	1 600	64,0

MLC165-1 S-1

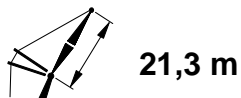
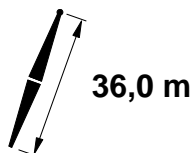
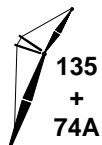
ASME B30.5


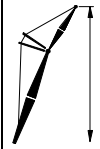


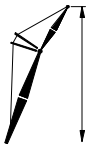


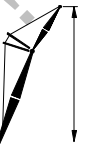



	87°			83°			80°			
	m	m	kg	m	m	kg	m	m	kg	
9,8	74,3	58,5	42 700 d							9,8
10,0	73,6	58,4	42 700 d							10,0
12,0	67,9	57,7	42 600 c							12,0
14,0	62,0	56,8	36 400 c	69,4	57,7	34 300 d				14,0
16,0	55,7	55,6	30 500 b	63,5	56,8	28 700 c				16,0
18,0	48,9	54,0	26 200	57,3	55,7	24 600 b	63,1	56,4	23 500 c	18,0
20,0	41,4	52,1	22 900	50,7	54,2	21 500 b	56,9	55,2	20 400 b	20,0
22,0	32,4	49,4	20 200	43,4	52,3	19 000	50,2	53,8	18 100 b	22,0
24,0	20,3	45,4	18 100	34,8	49,9	17 000	42,8	51,9	16 200	24,0
26,0				23,9	46,3	15 300	34,2	49,4	14 600	26,0
28,0							22,9	45,7	13 200	28,0
30,0										30,0
32,0										32,0
34,0										34,0
36,0										36,0
38,0										38,0

MLC165-1 S-1

ASME B30.5

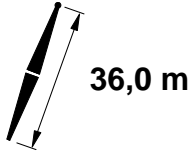
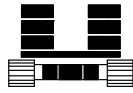
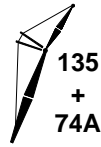










	75°			70°			65°			
										
	m	m	kg	m	m	kg	m	m	kg	m
9,8										9,8
10,0										10,0
12,0										12,0
14,0										14,0
16,0										16,0
18,0										18,0
20,0										20,0
22,0	60,2	55,2	16 600 c							22,0
24,0	53,8	53,9	14 800 b							24,0
26,0	46,8	52,2	13 300	57,0	53,5	12 000 b				26,0
28,0	38,9	50,0	12 000	50,3	52,1	10 900 b				28,0
30,0	29,3	47,1	11 000	42,9	50,2	9 900				30,0
32,0	15,1	42,2	10 000	34,3	47,7	9 100	46,3	49,8	8 100	32,0
34,0				23,1	44,0	8 300	38,3	47,6	7 400	34,0
36,0							28,5	44,6	6 800	36,0
38,0							13,5	39,4	6 300	38,0

REFERENCE ONLY

MLC165-1 S-1

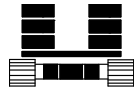
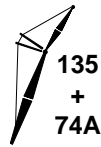
ASME B30.5



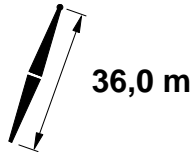
	87°			83°			80°			
	 m	 m	 kg	 m	 kg	 m	 kg	 m		
10,4	74,8	61,5	39 300 d						10,4	
12,0	70,8	61,0	39 100 c						12,0	
14,0	65,8	60,2	36 600 c						14,0	
16,0	60,5	59,2	30 400 b	67,0	60,1	28 600 c			16,0	
18,0	54,9	57,9	26 100	61,8	59,2	24 500 b			18,0	
20,0	49,0	56,3	22 800	56,3	58,0	21 400 b	61,4	58,8	20 300 b	20,0
22,0	42,4	54,4	20 200	50,5	56,5	18 900	55,9	57,6	17 900 b	22,0
24,0	34,8	51,9	18 000	44,1	54,7	16 900	50,1	56,1	16 000	24,0
26,0	25,5	48,4	16 200	36,8	52,3	15 200	43,6	54,2	14 400	26,0
28,0				28,1	49,2	13 800	36,3	51,8	13 100	28,0
30,0				15,4	44,1	12 500	27,4	48,6	11 900	30,0
32,0							14,0	43,3	10 900	32,0
34,0										34,0
36,0										36,0
38,0										38,0
40,0										40,0

MLC165-1 S-1

ASME B30.5



46 000 kg
+
0 kg

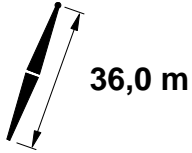
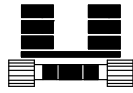
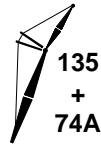


	75°			70°			65°			
	m	m	kg	m	m	kg	m	m	kg	m
10,4										10,4
12,0										12,0
14,0										14,0
16,0										16,0
18,0										18,0
20,0										20,0
22,0										22,0
24,0	58,9	57,5	14 600 b							24,0
26,0	53,2	56,2	13 100							26,0
28,0	47,1	54,5	11 900	56,0	55,9	10 700 b				28,0
30,0	40,3	52,4	10 800	50,2	54,4	9 800				30,0
32,0	32,3	49,7	9 900	43,7	52,5	8 900	52,8	53,8	7 900	32,0
34,0	22,0	45,8	9 100	36,4	50,1	8 200	46,6	52,1	7 300	34,0
36,0				27,5	46,9	7 500	39,8	50,0	6 700	36,0
38,0				14,3	41,7	6 900	31,7	47,2	6 200	38,0
40,0							21,1	43,2	5 700	40,0

REFERENCE ONLY

MLC165-1 S-1

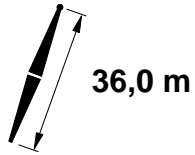
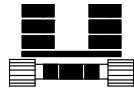
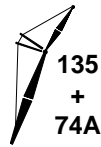
ASME B30.5



m	87°			83°			80°			m
	m	m	kg	m	m	kg	m	m	kg	
11,6	73,9	64,3	35 500 d							11,6
12,0	73,0	64,2	35 500 c							12,0
14,0	68,6	63,5	35 000 c							14,0
16,0	64,0	62,6	30 600 b							16,0
18,0	59,3	61,5	26 000 b	65,2	62,6	24 400 b				18,0
20,0	54,3	60,2	22 800	60,5	61,6	21 300 b	64,9	62,2	20 200 b	20,0
22,0	49,0	58,6	20 100	55,6	60,3	18 800	60,1	61,2	17 900 b	22,0
24,0	43,2	56,7	18 000	50,3	58,8	16 800	55,2	59,9	15 900	24,0
26,0	36,6	54,3	16 200	44,7	57,0	15 200	49,9	58,4	14 400	26,0
28,0	28,9	51,2	14 700	38,3	54,7	13 800	44,2	56,5	13 000	28,0
30,0	18,5	46,7	13 400	31,0	51,8	12 600	37,9	54,2	11 900	30,0
32,0				21,6	47,8	11 500	30,4	51,3	10 900	32,0
34,0							20,7	47,1	10 000	34,0
36,0										36,0
38,0										38,0
40,0										40,0
42,0										42,0
44,0										44,0

MLC165-1 S-1

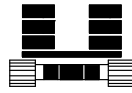
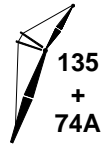
ASME B30.5



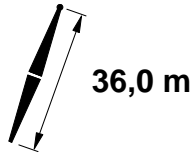
	75°			70°			65°			
m	m	m	kg	m	m	kg	m	m	kg	m
11,6										11,6
12,0										12,0
14,0										14,0
16,0										16,0
18,0										18,0
20,0										20,0
22,0										22,0
24,0										24,0
26,0	57,8	59,9	13 000 b							26,0
28,0	52,8	58,5	11 800							28,0
30,0	47,3	56,8	10 800	55,3	58,2	9 700				30,0
32,0	41,3	54,7	9 900	50,0	56,7	8 800				32,0
34,0	34,5	52,2	9 100	44,3	54,8	8 100				34,0
36,0	26,3	48,8	8 300	38,0	52,5	7 500	46,9	54,4	6 600	36,0
38,0	14,1	43,3	7 700	30,5	49,6	6 900	40,9	52,3	6 100	38,0
40,0				20,9	45,4	6 400	34,0	49,7	5 600	40,0
42,0							25,6	46,2	5 200	42,0
44,0							12,8	40,5	4 800	44,0

MLC165-1 S-1

ASME B30.5



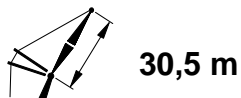
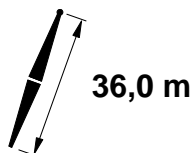
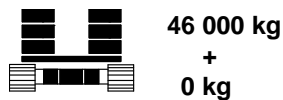
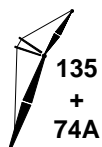
46 000 kg
+
0 kg



m	87°			83°			80°			m
	m	m	kg	m	m	kg	m	m	kg	
12,2	74,4	67,3	32 600 c							12,2
14,0	70,8	66,7	32 400 c							14,0
16,0	66,8	66,0	30 800 b							16,0
18,0	62,6	65,0	25 900 b	67,8	65,9	24 300 b				18,0
20,0	58,3	63,9	22 600	63,7	65,0	21 200 b	67,5	65,5	20 100 b	20,0
22,0	53,8	62,5	20 000	59,4	63,9	18 700	63,4	64,6	17 700 b	22,0
24,0	49,0	60,9	17 900	54,9	62,6	16 700	59,1	63,5	15 800	24,0
26,0	43,8	59,0	16 100	50,2	61,1	15 000	54,6	62,2	14 200	26,0
28,0	38,0	56,7	14 600	45,1	59,3	13 600	49,8	60,7	12 900	28,0
30,0	31,4	53,8	13 400	39,5	57,1	12 400	44,7	58,8	11 800	30,0
32,0	23,2	50,0	12 200	33,2	54,4	11 400	39,1	56,6	10 800	32,0
34,0				25,5	50,8	10 500	32,7	53,8	9 900	34,0
36,0				14,5	45,3	9 700	24,9	50,2	9 100	36,0
38,0							13,4	44,4	8 400	38,0
40,0										40,0
42,0										42,0
44,0										44,0
46,0										46,0

MLC165-1 S-1

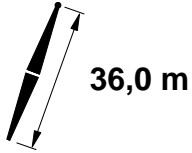
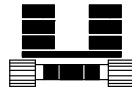
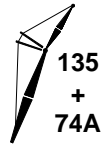
ASME B30.5



	75°			70°			65°			
m	m	m	kg	m	m	kg	m	m	kg	m
12,2										12,2
14,0										14,0
16,0										16,0
18,0										18,0
20,0										20,0
22,0										22,0
24,0										24,0
26,0	61,4	63,4	12 900							26,0
28,0	57,0	62,2	11 700							28,0
30,0	52,4	60,8	10 600							30,0
32,0	47,5	59,1	9 700	54,7	60,5	8 700				32,0
34,0	42,1	57,1	8 900	49,9	59,0	7 900				34,0
36,0	36,2	54,6	8 200	44,8	57,1	7 300				36,0
38,0	29,2	51,5	7 600	39,2	54,9	6 700	47,1	56,7	5 900	38,0
40,0	20,2	47,2	7 000	32,8	52,1	6 200	41,7	54,7	5 400	40,0
42,0				25,0	48,5	5 800	35,7	52,2	5 000	42,0
44,0				13,6	42,8	5 300	28,7	49,0	4 600	44,0
46,0							19,4	44,5	4 300	46,0

MLC165-1 S-1

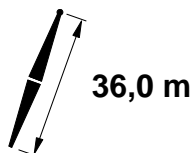
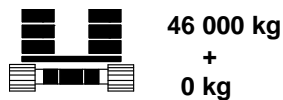
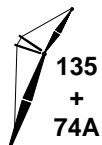
ASME B30.5



m	87°			83°			80°			m
	m	m	kg	m	m	kg	m	m	kg	
13,7	73,1	70,0	29 900 c							13,7
14,0	72,6	70,0	29 900 c							14,0
16,0	69,0	69,3	29 200 b							16,0
18,0	65,3	68,4	26 100							18,0
20,0	61,5	67,4	22 600	66,2	68,4	21 100 b				20,0
22,0	57,5	66,2	20 000	62,4	67,4	18 700	66,0	68,0	17 700 b	22,0
24,0	53,4	64,9	17 900	58,5	66,3	16 700	62,2	67,0	15 800	24,0
26,0	49,0	63,2	16 100	54,4	65,0	15 000	58,2	65,9	14 200	26,0
28,0	44,3	61,4	14 600	50,1	63,4	13 600	54,1	64,5	12 900	28,0
30,0	39,1	59,1	13 400	45,5	61,6	12 400	49,8	63,0	11 700	30,0
32,0	33,3	56,4	12 300	40,5	59,4	11 400	45,1	61,1	10 800	32,0
34,0	26,5	52,9	11 300	34,9	56,8	10 500	40,1	59,0	9 900	34,0
36,0	17,3	47,9	10 400	28,3	53,6	9 700	34,4	56,3	9 100	36,0
38,0				20,0	49,1	9 000	27,8	53,0	8 500	38,0
40,0							19,2	48,4	7 800	40,0
42,0										42,0
44,0										44,0
46,0										46,0
48,0										48,0
50,0										50,0

MLC165-1 S-1

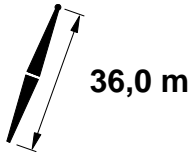
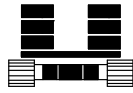
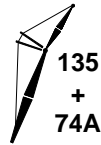
ASME B30.5



	75°			70°			65°			
	m	m	kg	m	m	kg	m	m	kg	m
13,7										13,7
14,0										14,0
16,0										16,0
18,0										18,0
20,0										20,0
22,0										22,0
24,0										24,0
26,0										26,0
28,0	60,3	65,8	11 600							28,0
30,0	56,3	64,5	10 600							30,0
32,0	52,1	63,1	9 700							32,0
34,0	47,6	61,4	8 900	54,2	62,8	7 900				34,0
36,0	42,8	59,4	8 200	49,8	61,3	7 300				36,0
38,0	37,5	57,0	7 600	45,2	59,4	6 700				38,0
40,0	31,5	54,1	7 000	40,2	57,3	6 200	47,3	59,0	5 400	40,0
42,0	24,1	50,3	6 500	34,5	54,6	5 800	42,4	57,0	5 000	42,0
44,0	13,5	44,5	6 100	27,9	51,3	5 400	37,1	54,6	4 600	44,0
46,0				19,4	46,8	5 000	31,0	51,6	4 300	46,0
48,0							23,5	47,7	4 000	48,0
50,0							12,4	41,6	3 700	50,0

MLC165-1 S-1

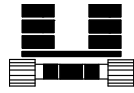
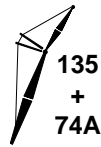
ASME B30.5



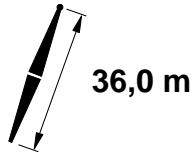
m	87°			83°			80°			m
	m	m	kg	m	m	kg	m	m	kg	
13,7	74,6	73,2	25 000 c							13,7
14,0	74,1	73,1	25 000 c							14,0
16,0	70,8	72,5	25 000 b							16,0
18,0	67,5	71,7	24 900							18,0
20,0	64,0	70,8	22 500	68,3	71,7	21 000 b				20,0
22,0	60,5	69,8	19 900	64,9	70,8	18 500				22,0
24,0	56,8	68,6	17 800	61,4	69,8	16 500	64,7	70,4	15 600	24,0
26,0	53,0	67,2	16 000	57,8	68,6	14 900	61,1	69,4	14 100	26,0
28,0	49,0	65,5	14 500	54,0	67,3	13 500	57,5	68,2	12 700	28,0
30,0	44,7	63,7	13 300	50,0	65,7	12 300	53,7	66,9	11 600	30,0
32,0	40,0	61,5	12 200	45,8	63,9	11 300	49,7	65,3	10 600	32,0
34,0	34,9	58,9	11 200	41,2	61,8	10 400	45,5	63,4	9 800	34,0
36,0	28,9	55,6	10 400	36,2	59,3	9 600	40,9	61,3	9 000	36,0
38,0	21,6	51,4	9 600	30,5	56,3	8 900	35,8	58,8	8 300	38,0
40,0				23,6	52,3	8 200	30,1	55,7	7 700	40,0
42,0				13,8	46,4	7 700	23,1	51,7	7 200	42,0
44,0							12,9	45,5	6 700	44,0
46,0										46,0
48,0										48,0
50,0										50,0
52,0										52,0

MLC165-1 S-1

ASME B30.5



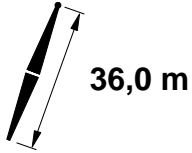
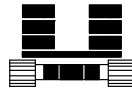
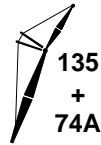
46 000 kg
+
0 kg




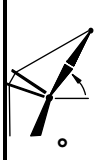
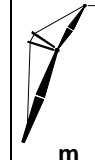





	75°			70°			65°			
	m	m	kg	m	m	kg	m	m	kg	m
13,7										13,7
14,0										14,0
16,0										16,0
18,0										18,0
20,0										20,0
22,0										22,0
24,0										24,0
26,0										26,0
28,0										28,0
30,0	59,4	68,1	10 400							30,0
32,0	55,7	66,9	9 500							32,0
34,0	51,8	65,4	8 800							34,0
36,0	47,7	63,7	8 100	53,8	65,1	7 100				36,0
38,0	43,3	61,7	7 500	49,8	63,6	6 600				38,0
40,0	38,6	59,4	6 900	45,5	61,7	6 100	51,5	63,0	5 300	40,0
42,0	33,2	56,7	6 400	41,0	59,6	5 600	47,4	61,3	4 800	42,0
44,0	27,0	53,2	5 900	35,9	57,1	5 200	43,0	59,3	4 500	44,0
46,0	18,9	48,5	5 500	30,2	54,0	4 800	38,2	57,0	4 100	46,0
48,0				23,2	50,0	4 500	32,8	54,2	3 800	48,0
50,0				13,1	43,9	4 100	26,5	50,7	3 500	50,0
52,0							18,2	45,8	3 300	52,0

MLC165-1 S-1

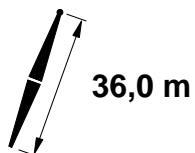
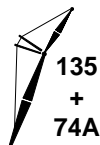
ASME B30.5



	87°			83°			80°			
	 m	 m	 kg	 m	 kg	 m	 kg	 m		
15,2	73,5	76,0	21 200 b						15,2	
16,0	72,4	75,7	21 000 b						16,0	
18,0	69,3	75,0	20 600						18,0	
20,0	66,2	74,2	20 100	70,1	74,9	20 700 b			20,0	
22,0	63,0	73,2	19 500	67,0	74,1	18 500			22,0	
24,0	59,7	72,2	17 800	63,8	73,2	16 400			24,0	
26,0	56,3	70,9	15 900	60,5	72,2	14 800	63,5	72,8	13 900	26,0
28,0	52,7	69,5	14 400	57,1	71,0	13 400	60,3	71,8	12 600	28,0
30,0	49,0	67,8	13 200	53,6	69,6	12 200	56,9	70,6	11 500	30,0
32,0	45,0	66,0	12 100	49,9	68,0	11 200	53,3	69,2	10 500	32,0
34,0	40,8	63,8	11 100	46,0	66,2	10 300	49,7	67,6	9 700	34,0
36,0	36,1	61,3	10 300	41,9	64,1	9 500	45,7	65,8	8 900	36,0
38,0	30,9	58,3	9 500	37,3	61,7	8 800	41,5	63,7	8 300	38,0
40,0	24,7	54,5	8 900	32,2	58,8	8 200	37,0	61,2	7 700	40,0
42,0	16,4	49,1	8 200	26,3	55,3	7 600	31,9	58,3	7 100	42,0
44,0				18,8	50,4	7 100	25,9	54,7	6 600	44,0
46,0							18,1	49,7	6 200	46,0
48,0										48,0
50,0										50,0
52,0										52,0
54,0										54,0
56,0										56,0

MLC165-1 S-1

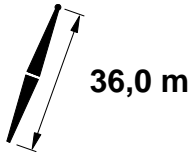
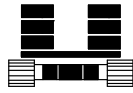
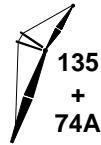
ASME B30.5




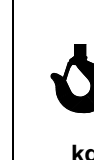

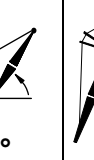






m	75°			70°			65°			m
	m	m	kg	m	m	kg	m	m	kg	
15,2										15,2
16,0										16,0
18,0										18,0
20,0										20,0
22,0										22,0
24,0										24,0
26,0										26,0
28,0										28,0
30,0										30,0
32,0	58,7	70,5	9 400							32,0
34,0	55,2	69,2	8 600							34,0
36,0	51,6	67,7	8 000							36,0
38,0	47,8	66,0	7 400	53,4	67,4	6 500				38,0
40,0	43,8	64,1	6 800	49,7	65,9	6 000				40,0
42,0	39,4	61,8	6 300	45,8	64,0	5 500	51,4	65,3	4 700	42,0
44,0	34,6	59,2	5 900	41,6	61,9	5 100	47,5	63,6	4 400	44,0
46,0	29,2	55,9	5 500	37,0	59,5	4 700	43,5	61,6	4 000	46,0
48,0	22,5	51,8	5 100	31,9	56,6	4 400	39,1	59,4	3 700	48,0
50,0	13,0	45,6	4 700	26,0	53,0	4 100	34,3	56,7	3 400	50,0
52,0				18,3	48,1	3 800	28,7	53,4	3 200	52,0
54,0							22,0	49,2	2 900	54,0
56,0							12,1	42,7	2 700	56,0

MLC165-1 S-1

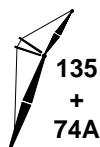
ASME B30.5



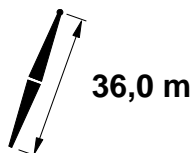
	87°			83°			80°				
	 m	 m	 m	 kg	 m	 kg	 m	 kg	 m		 kg
15,2	74,7	79,1	19 900 b								15,2
16,0	73,7	78,9	19 700 b								16,0
18,0	70,8	78,3	19 300								18,0
20,0	68,0	77,5	18 900								20,0
22,0	65,0	76,6	18 500	68,7	77,4	18 300					22,0
24,0	62,0	75,6	17 600	65,8	76,6	16 300					24,0
26,0	58,9	74,5	15 800	62,8	75,6	14 700	65,6	76,2	13 800		26,0
28,0	55,8	73,2	14 300	59,7	74,5	13 300	62,6	75,3	12 500		28,0
30,0	52,4	71,8	13 100	56,6	73,3	12 100	59,5	74,1	11 400		30,0
32,0	49,0	70,1	12 000	53,3	71,9	11 100	56,3	72,9	10 400		32,0
34,0	45,3	68,3	11 000	49,9	70,3	10 200	53,0	71,5	9 500		34,0
36,0	41,4	66,2	10 200	46,2	68,5	9 400	49,6	69,9	8 800		36,0
38,0	37,2	63,7	9 400	42,4	66,5	8 700	46,0	68,1	8 100		38,0
40,0	32,4	60,8	8 800	38,2	64,1	8 100	42,1	66,0	7 500		40,0
42,0	27,0	57,3	8 200	33,7	61,3	7 500	37,9	63,6	7 000		42,0
44,0	20,3	52,8	7 600	28,5	58,0	7 000	33,3	60,8	6 500		44,0
46,0				22,2	53,8	6 500	28,1	57,4	6 100		46,0
48,0				13,4	47,6	6 100	21,7	53,1	5 600		48,0
50,0							12,5	46,6	5 300		50,0
52,0											52,0
54,0											54,0
56,0											56,0
58,0											58,0

MLC165-1 S-1

ASME B30.5



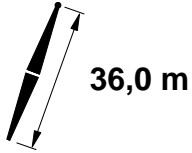
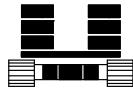
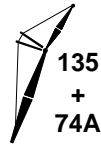
46 000 kg
+
0 kg



	75°			70°			65°			
	m	m	kg	m	m	kg	m	m	kg	m
15,2										15,2
16,0										16,0
18,0										18,0
20,0										20,0
22,0										22,0
24,0										24,0
26,0										26,0
28,0										28,0
30,0										30,0
32,0	61,1	74,0	9 300							32,0
34,0	58,0	72,8	8 500							34,0
36,0	54,8	71,5	7 800							36,0
38,0	51,4	70,0	7 200							38,0
40,0	47,9	68,3	6 700	53,1	69,8	5 800				40,0
42,0	44,2	66,4	6 200	49,7	68,2	5 400				42,0
44,0	40,2	64,2	5 700	46,0	66,3	5 000				44,0
46,0	35,8	61,6	5 300	42,2	64,3	4 600	47,7	65,9	3 900	46,0
48,0	30,9	58,6	4 900	38,0	61,9	4 200	43,9	64,0	3 600	48,0
50,0	25,2	54,8	4 600	33,4	59,1	3 900	39,9	61,7	3 300	50,0
52,0	17,9	49,8	4 300	28,1	55,8	3 700	35,5	59,1	3 000	52,0
54,0				21,8	51,5	3 400	30,6	56,1	2 700	54,0
56,0				12,7	45,0	3 100	24,8	52,3	2 500	56,0
58,0							17,3	47,1	2 200	58,0

MLC165-1 S-1

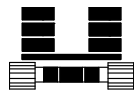
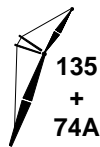
ASME B30.5



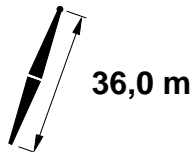
m	87°			83°			80°			m
	m	m	kg	m	m	kg	m	m	kg	
16,8	73,8	81,9	18 300 b							16,8
18,0	72,2	81,5	18 100							18,0
20,0	69,5	80,8	17 700							20,0
22,0	66,8	80,0	17 300							22,0
24,0	64,0	79,1	16 600	67,5	79,9	16 300				24,0
26,0	61,2	78,0	15 700	64,7	79,0	14 600	67,3	79,5	13 700	26,0
28,0	58,3	76,9	14 300	61,9	78,0	13 200	64,5	78,7	12 400	28,0
30,0	55,3	75,6	13 000	59,1	76,9	12 000	61,7	77,6	11 300	30,0
32,0	52,2	74,1	11 900	56,1	75,6	11 000	58,8	76,5	10 300	32,0
34,0	49,0	72,4	11 000	53,0	74,2	10 100	55,9	75,2	9 500	34,0
36,0	45,6	70,6	10 100	49,8	72,6	9 300	52,8	73,8	8 700	36,0
38,0	41,9	68,5	9 400	46,4	70,8	8 600	49,6	72,2	8 100	38,0
40,0	38,0	66,1	8 700	42,9	68,8	8 000	46,2	70,4	7 500	40,0
42,0	33,8	63,4	8 100	39,0	66,5	7 500	42,6	68,3	7 000	42,0
44,0	28,9	60,1	7 600	34,9	63,8	7 000	38,8	66,0	6 500	44,0
46,0	23,2	56,0	7 100	30,2	60,7	6 500	34,6	63,3	6 000	46,0
48,0	15,7	50,3	6 600	24,8	56,8	6 100	29,8	60,1	5 600	48,0
50,0				17,9	51,7	5 700	24,3	56,2	5 300	50,0
52,0							17,3	51,0	4 900	52,0
54,0										54,0
56,0										56,0
58,0										58,0
60,0										60,0
62,0										62,0

MLC165-1 S-1

ASME B30.5



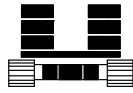
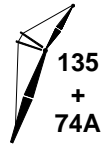
46 000 kg
+
0 kg



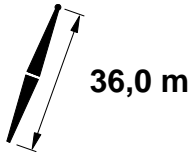
	75°			70°			65°			
	m	m	kg	m	m	kg	m	m	kg	m
16,8										16,8
18,0										18,0
20,0										20,0
22,0										22,0
24,0										24,0
26,0										26,0
28,0										28,0
30,0										30,0
32,0										32,0
34,0	60,4	76,4	8 400							34,0
36,0	57,4	75,2	7 800							36,0
38,0	54,4	73,8	7 200							38,0
40,0	51,3	72,3	6 600	55,9	73,5	5 800				40,0
42,0	48,0	70,6	6 100	52,8	72,1	5 300				42,0
44,0	44,5	68,7	5 700	49,6	70,5	4 900				44,0
46,0	40,8	66,5	5 300	46,2	68,7	4 500	51,0	69,9	3 800	46,0
48,0	36,8	64,0	4 900	42,7	66,6	4 200	47,7	68,2	3 500	48,0
50,0	32,4	61,1	4 600	38,8	64,3	3 900	44,3	66,3	3 200	50,0
52,0	27,4	57,7	4 300	34,6	61,6	3 600	40,5	64,1	2 900	52,0
54,0	21,3	53,2	4 000	29,9	58,4	3 400	36,5	61,6	2 700	54,0
56,0	12,7	46,7	3 700	24,4	54,5	3 100	32,1	58,6	2 400	56,0
58,0				17,4	49,3	2 900	27,0	55,1	2 200	58,0
60,0							20,8	50,6	2 000	60,0
62,0							11,8	43,8	1 800	62,0

MLC165-1 S-1

ASME B30.5



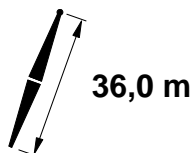
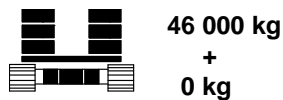
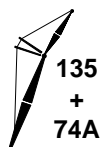
46 000 kg
+
0 kg



m	87°			83°			80°			m
	m	m	kg	m	m	kg	m	m	kg	
16,8	74,8	85,0	17 100 b							16,8
18,0	73,3	84,7	16 800							18,0
20,0	70,8	84,0	16 500							20,0
22,0	68,3	83,3	15 900							22,0
24,0	65,8	82,4	15 100	69,0	83,2	15 900				24,0
26,0	63,2	81,5	14 300	66,4	82,4	14 500				26,0
28,0	60,5	80,4	13 600	63,8	81,5	13 100	66,2	82,0	12 300	28,0
30,0	57,8	79,2	12 800	61,2	80,4	11 900	63,6	81,1	11 200	30,0
32,0	54,9	77,9	11 800	58,5	79,2	10 900	61,0	80,0	10 200	32,0
34,0	52,0	76,4	10 900	55,7	78,0	10 000	58,3	78,8	9 400	34,0
36,0	49,0	74,7	10 000	52,8	76,5	9 200	55,5	77,5	8 600	36,0
38,0	45,8	72,9	9 300	49,7	74,9	8 500	52,5	76,1	8 000	38,0
40,0	42,4	70,8	8 600	46,6	73,1	7 900	49,5	74,5	7 400	40,0
42,0	38,8	68,5	8 000	43,3	71,1	7 300	46,4	72,7	6 800	42,0
44,0	34,9	65,8	7 500	39,7	68,9	6 800	43,0	70,6	6 300	44,0
46,0	30,5	62,7	7 000	35,9	66,3	6 400	39,5	68,4	5 900	46,0
48,0	25,5	59,0	6 500	31,7	63,3	6 000	35,6	65,8	5 500	48,0
50,0	19,4	54,1	6 100	26,8	59,7	5 600	31,3	62,7	5 100	50,0
52,0				21,1	55,2	5 200	26,5	59,1	4 800	52,0
54,0				13,0	48,7	4 900	20,6	54,5	4 500	54,0
56,0							12,3	47,7	4 200	56,0
58,0										58,0
60,0										60,0
62,0										62,0
64,0										64,0

MLC165-1 S-1

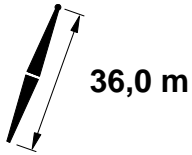
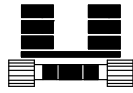
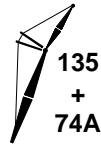
ASME B30.5



	75°			70°			65°			
	m	m	kg	m	m	kg	m	m	kg	m
16,8										16,8
18,0										18,0
20,0										20,0
22,0										22,0
24,0										24,0
26,0										26,0
28,0										28,0
30,0										30,0
32,0										32,0
34,0										34,0
36,0	59,7	78,7	7 600							36,0
38,0	56,9	77,5	7 000							38,0
40,0	54,1	76,1	6 500							40,0
42,0	51,1	74,6	6 000	55,5	75,8	5 100				42,0
44,0	48,0	72,9	5 500	52,6	74,4	4 700				44,0
46,0	44,8	71,0	5 100	49,6	72,8	4 400				46,0
48,0	41,4	68,9	4 800	46,4	71,0	4 100	50,9	72,2	3 300	48,0
50,0	37,7	66,4	4 400	43,1	68,9	3 800	47,8	70,5	3 000	50,0
52,0	33,6	63,7	4 100	39,5	66,7	3 500	44,6	68,6	2 700	52,0
54,0	29,1	60,4	3 800	35,7	64,1	3 200	41,1	66,4	2 500	54,0
56,0	23,9	56,4	3 600	31,4	61,0	3 000	37,4	64,0	2 200	56,0
58,0	17,1	51,0	3 300	26,6	57,4	2 700	33,3	61,2	2 000	58,0
60,0				20,7	52,9	2 500	28,8	57,9	1 800	60,0
62,0				12,4	46,1	2 300	23,4	53,8	1 600	62,0
64,0							16,6	48,3	1 400	64,0

MLC165-1 S-1

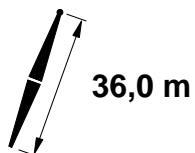
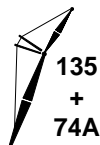
ASME B30.5



m	87°			83°			80°			m
	m	m	kg	m	m	kg	m	m	kg	
18,3	74,0	87,8	15 400							18,3
20,0	72,0	87,2	15 000							20,0
22,0	69,7	86,5	14 500							22,0
24,0	67,3	85,8	13 900							24,0
26,0	64,9	84,9	13 100	67,9	85,7	14 000				26,0
28,0	62,4	83,9	12 400	65,5	84,8	13 000				28,0
30,0	59,9	82,8	11 700	63,0	83,9	11 800	65,3	84,4	11 100	30,0
32,0	57,3	81,5	11 000	60,5	82,8	10 800	62,8	83,5	10 100	32,0
34,0	54,6	80,2	10 400	57,9	81,6	9 900	60,3	82,4	9 200	34,0
36,0	51,8	78,7	9 700	55,3	80,3	9 100	57,7	81,2	8 500	36,0
38,0	49,0	77,0	9 100	52,5	78,8	8 400	55,1	79,9	7 800	38,0
40,0	46,0	75,2	8 500	49,7	77,2	7 800	52,3	78,4	7 300	40,0
42,0	42,8	73,2	7 900	46,7	75,4	7 200	49,5	76,8	6 700	42,0
44,0	39,4	70,9	7 400	43,6	73,4	6 700	46,5	75,0	6 200	44,0
46,0	35,8	68,3	6 900	40,3	71,2	6 300	43,4	73,0	5 800	46,0
48,0	31,9	65,3	6 400	36,8	68,7	5 900	40,1	70,7	5 400	48,0
50,0	27,4	61,8	5 900	32,9	65,8	5 500	36,5	68,2	5 000	50,0
52,0	22,1	57,4	5 400	28,6	62,5	5 100	32,6	65,3	4 700	52,0
54,0	15,2	51,5	4 900	23,5	58,4	4 800	28,2	61,9	4 400	54,0
56,0				17,1	53,0	4 500	23,1	57,7	4 100	56,0
58,0							16,6	52,2	3 800	58,0
60,0										60,0
62,0										62,0
64,0										64,0

MLC165-1 S-1

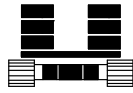
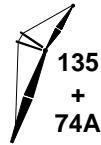
ASME B30.5



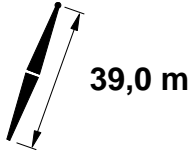
	75°			70°			65°			
m	m	m	kg	m	m	kg	m	m	kg	m
18,3										18,3
20,0										20,0
22,0										22,0
24,0										24,0
26,0										26,0
28,0										28,0
30,0										30,0
32,0										32,0
34,0										34,0
36,0	61,7	82,2	7 500							36,0
38,0	59,1	81,1	6 900							38,0
40,0	56,5	79,8	6 400							40,0
42,0	53,8	78,5	5 900							42,0
44,0	51,0	76,9	5 400	55,1	78,1	4 600				44,0
46,0	48,1	75,2	5 000	52,4	76,7	4 300				46,0
48,0	45,1	73,3	4 700	49,5	75,1	3 900				48,0
50,0	41,8	71,2	4 300	46,6	73,3	3 600	50,8	74,5	2 800	50,0
52,0	38,4	68,8	4 000	43,4	71,3	3 400	47,9	72,8	2 500	52,0
54,0	34,7	66,1	3 700	40,1	69,0	3 100	44,8	70,9	2 300	54,0
56,0	30,6	63,0	3 500	36,6	66,5	2 800	41,6	68,8	2 100	56,0
58,0	25,9	59,3	3 200	32,7	63,6	2 600	38,2	66,4	1 800	58,0
60,0	20,3	54,6	3 000	28,3	60,2	2 400	34,4	63,7	1 600	60,0
62,0	12,4	47,8	2 800	23,2	56,1	2 100	30,3	60,5	1 400	62,0
64,0				16,7	50,5	1 900				64,0




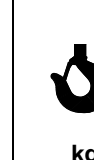

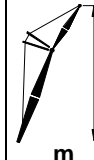
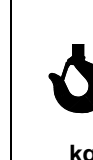

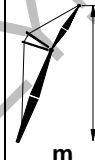
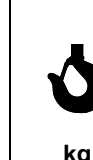
MLC165-1 S-1

ASME B30.5



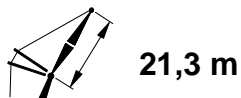
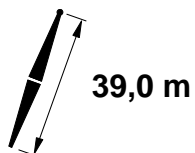
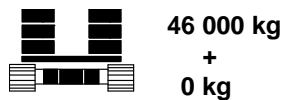
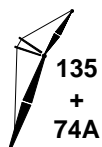
46 000 kg
+
0 kg


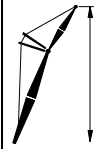


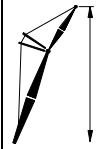


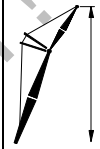



	87°			83°			80°				
	 m	 m	 m	 kg	 m	 m	 kg	 m	 m		 kg
9,8	74,8	61,5	40 900 d								9,8
10,0	74,1	61,5	40 900 d								10,0
12,0	68,4	60,8	40 700 c								12,0
14,0	62,5	59,9	36 500 c								14,0
16,0	56,2	58,7	30 400 b	64,6	60,0	28 500 c					16,0
18,0	49,5	57,2	26 100 b	58,5	58,9	24 400 b					18,0
20,0	42,0	55,2	22 800	52,0	57,5	21 300 b	58,6	58,5	20 200 b		20,0
22,0	33,2	52,6	20 200	44,8	55,7	18 800	52,0	57,2	17 800 b		22,0
24,0	21,5	48,8	18 000	36,5	53,4	16 800	44,8	55,4	15 900		24,0
26,0				26,2	50,1	15 200	36,6	53,1	14 300		26,0
28,0							26,3	49,8	13 000		28,0
30,0											30,0
32,0											32,0
34,0											34,0
36,0											36,0
38,0											38,0

MLC165-1 S-1

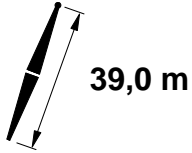
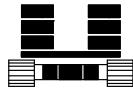
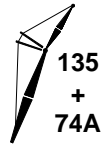
ASME B30.5



	75°			70°			65°			
										
	m	m	kg	m	m	kg	m	m	kg	m
9,8										9,8
10,0										10,0
12,0										12,0
14,0										14,0
16,0										16,0
18,0										18,0
20,0										20,0
22,0										22,0
24,0	56,4	57,3	14 400 b							24,0
26,0	49,6	55,8	13 000 b							26,0
28,0	42,1	53,9	11 700	53,8	55,7	10 500 b				28,0
30,0	33,4	51,3	10 700	46,8	54,0	9 500				30,0
32,0	21,7	47,4	9 800	39,0	51,9	8 700	50,8	53,6	7 700 b	32,0
34,0				29,4	48,9	8 000	43,5	51,8	7 000	34,0
36,0				15,2	44,1	7 300	35,0	49,4	6 400	36,0
38,0							24,1	45,8	5 900	38,0

MLC165-1 S-1

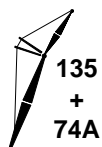
ASME B30.5



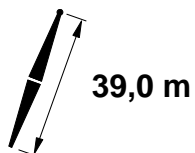
	87°			83°			80°			
	m	m	kg	m	m	kg	m	m	kg	
11,0	73,7	64,4	37 400 d							11,0
12,0	71,2	64,1	37 300 c							12,0
14,0	66,2	63,3	35 500 c							14,0
16,0	60,9	62,3	30 500 b	68,0	63,3	28 400 c				16,0
18,0	55,4	61,0	26 000 b	62,8	62,4	24 300 b				18,0
20,0	49,4	59,5	22 800	57,4	61,2	21 200 b	62,8	62,0	20 000 b	20,0
22,0	42,9	57,6	20 100	51,6	59,8	18 700	57,4	60,9	17 700 b	22,0
24,0	35,5	55,1	18 000	45,3	58,0	16 700	51,6	59,5	15 800	24,0
26,0	26,3	51,8	16 200	38,3	55,8	15 100	45,4	57,7	14 200	26,0
28,0				29,9	52,8	13 700	38,3	55,5	12 900	28,0
30,0				18,3	48,4	12 400	29,9	52,5	11 700	30,0
32,0							18,5	48,1	10 700	32,0
34,0										34,0
36,0										36,0
38,0										38,0
40,0										40,0
42,0										42,0

MLC165-1 S-1

ASME B30.5



46 000 kg
+
0 kg

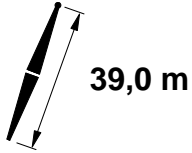
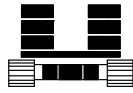
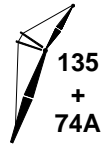





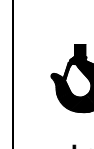

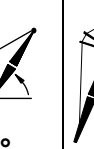
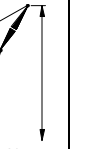



	75°			70°			65°			
	m	m	kg	m	m	kg	m	m	kg	m
11,0										11,0
12,0										12,0
14,0										14,0
16,0										16,0
18,0										18,0
20,0										20,0
22,0										22,0
24,0										24,0
26,0	55,5	59,6	12 800 b							26,0
28,0	49,5	58,1	11 600							28,0
30,0	43,0	56,2	10 600	53,2	58,0	9 400				30,0
32,0	35,6	53,8	9 700	47,1	56,3	8 600				32,0
34,0	26,5	50,4	8 900	40,3	54,2	7 800	50,6	56,0	6 800	34,0
36,0				32,4	51,5	7 200	44,2	54,1	6 300	36,0
38,0				22,1	47,6	6 600	37,0	51,8	5 800	38,0
40,0							28,3	48,7	5 300	40,0
42,0							15,7	43,7	4 900	42,0

REFERENCE ONLY

MLC165-1 S-1

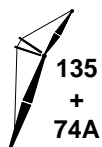
ASME B30.5



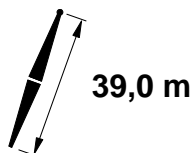
	87°			83°			80°				
	 m	 m	 m	 kg	 m	 kg	 m	 kg	 m		 kg
11,6	74,3	67,4	34 200 d								11,6
12,0	73,4	67,3	34 100 c								12,0
14,0	68,9	66,6	33 700 c								14,0
16,0	64,4	65,7	30 700 b								16,0
18,0	59,7	64,6	26 000 b	66,0	65,7	24 200 b					18,0
20,0	54,7	63,4	22 700	61,4	64,8	21 100 b	66,1	65,4	19 900 b		20,0
22,0	49,4	61,8	20 100	56,5	63,6	18 600 b	61,4	64,4	17 600 b		22,0
24,0	43,6	59,9	17 900	51,3	62,1	16 700	56,5	63,2	15 700		24,0
26,0	37,2	57,5	16 200	45,7	60,3	15 000	51,4	61,8	14 100		26,0
28,0	29,6	54,5	14 700	39,6	58,2	13 600	45,8	60,0	12 800		28,0
30,0	19,5	50,1	13 400	32,5	55,4	12 400	39,6	57,8	11 700		30,0
32,0				23,6	51,6	11 400	32,5	55,1	10 700		32,0
34,0							23,6	51,3	9 800		34,0
36,0											36,0
38,0											38,0
40,0											40,0
42,0											42,0
44,0											44,0


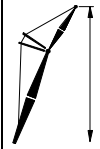


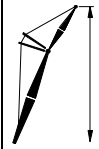


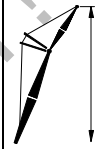

MLC165-1 S-1

ASME B30.5



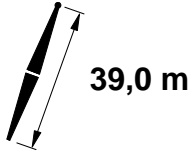
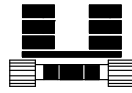
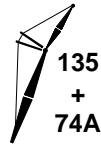
46 000 kg
+
0 kg



	75°			70°			65°			
										
	m	m	kg	m	m	kg	m	m	kg	m
11,6										11,6
12,0										12,0
14,0										14,0
16,0										16,0
18,0										18,0
20,0										20,0
22,0										22,0
24,0										24,0
26,0	59,7	63,2	12 700 b							26,0
28,0	54,8	62,0	11 500							28,0
30,0	49,5	60,4	10 500							30,0
32,0	43,7	58,5	9 600	52,8	60,3	8 500				32,0
34,0	37,3	56,2	8 800	47,3	58,6	7 800				34,0
36,0	29,7	53,2	8 100	41,4	56,6	7 100	50,4	58,3	6 200	36,0
38,0	19,7	48,8	7 500	34,6	54,0	6 600	44,8	56,4	5 700	38,0
40,0				26,3	50,6	6 100	38,5	54,2	5 200	40,0
42,0				14,2	45,2	5 600	31,2	51,3	4 800	42,0
44,0							21,8	47,3	4 500	44,0

MLC165-1 S-1

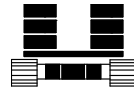
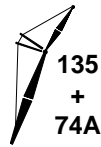
ASME B30.5



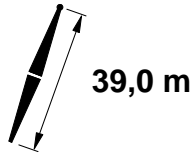
m	87°			83°			80°			m
	m	m	kg	m	m	kg	m	m	kg	
12,2	74,7	70,4	31 400 c							12,2
14,0	71,1	69,8	31 200 c							14,0
16,0	67,1	69,0	30 000 b							16,0
18,0	63,0	68,1	26 000 b							18,0
20,0	58,7	67,0	22 600	64,5	68,2	20 900 b				20,0
22,0	54,1	65,7	20 000	60,2	67,1	18 500	64,5	67,9	17 500 b	22,0
24,0	49,4	64,1	17 800	55,8	65,9	16 500	60,2	66,8	15 500	24,0
26,0	44,2	62,2	16 100	51,1	64,4	14 900	55,8	65,6	14 000	26,0
28,0	38,5	59,9	14 600	46,1	62,6	13 500	51,1	64,1	12 700	28,0
30,0	32,0	57,1	13 300	40,6	60,5	12 300	46,1	62,3	11 600	30,0
32,0	24,0	53,3	12 200	34,4	57,9	11 300	40,6	60,2	10 600	32,0
34,0				27,1	54,5	10 400	34,5	57,6	9 700	34,0
36,0				17,0	49,6	9 600	27,1	54,2	9 000	36,0
38,0							17,1	49,3	8 300	38,0
40,0										40,0
42,0										42,0
44,0										44,0
46,0										46,0
48,0										48,0


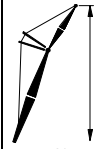


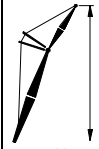


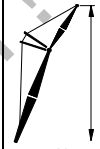

MLC165-1 S-1

ASME B30.5



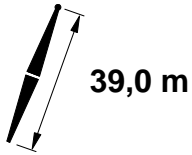
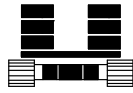
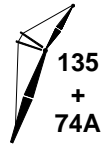
46 000 kg
+
0 kg



	75°			70°			65°			
	 m	 m	 kg	 m	 m	 kg	 m	 m	 kg	
12,2										12,2
14,0										14,0
16,0										16,0
18,0										18,0
20,0										20,0
22,0										22,0
24,0										24,0
26,0										26,0
28,0	58,7	65,6	11 300							28,0
30,0	54,2	64,3	10 300							30,0
32,0	49,4	62,7	9 400	57,0	64,0	8 300				32,0
34,0	44,3	60,8	8 600	52,4	62,6	7 600				34,0
36,0	38,6	58,6	8 000	47,5	60,9	7 000				36,0
38,0	32,1	55,7	7 400	42,2	58,9	6 400				38,0
40,0	24,1	52,0	6 800	36,2	56,5	5 900	45,2	58,7	5 100	40,0
42,0				29,3	53,4	5 500	39,6	56,6	4 700	42,0
44,0				20,3	49,0	5 100	33,3	53,9	4 300	44,0
46,0							25,7	50,3	4 000	46,0
48,0							14,8	44,9	3 600	48,0

MLC165-1 S-1

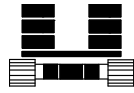
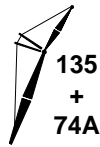
ASME B30.5



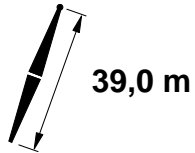
m	87°			83°			80°			m
	m	m	kg	m	m	kg	m	m	kg	
13,7	73,4	73,1	28 900 c							13,7
14,0	72,9	73,0	28 800 c							14,0
16,0	69,3	72,3	28 200 b							16,0
18,0	65,6	71,5	25 800							18,0
20,0	61,8	70,5	22 500	66,9	71,5	20 900 b				20,0
22,0	57,8	69,3	19 900	63,1	70,6	18 500				22,0
24,0	53,7	68,0	17 800	59,2	69,5	16 500	63,2	70,3	15 500	24,0
26,0	49,3	66,4	16 100	55,2	68,2	14 900	59,3	69,2	14 000	26,0
28,0	44,6	64,5	14 600	50,9	66,7	13 500	55,2	67,9	12 700	28,0
30,0	39,5	62,3	13 300	46,3	64,9	12 300	50,9	66,4	11 500	30,0
32,0	33,8	59,6	12 200	41,4	62,9	11 300	46,4	64,6	10 600	32,0
34,0	27,1	56,2	11 300	35,9	60,4	10 400	41,4	62,5	9 700	34,0
36,0	18,2	51,4	10 400	29,6	57,3	9 600	36,0	60,0	9 000	36,0
38,0				21,7	53,1	8 900	29,7	56,9	8 300	38,0
40,0							21,8	52,8	7 700	40,0
42,0										42,0
44,0										44,0
46,0										46,0
48,0										48,0
50,0										50,0

MLC165-1 S-1

ASME B30.5



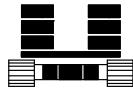
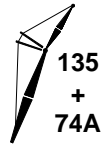
46 000 kg
+
0 kg



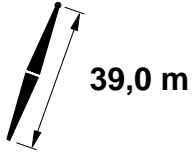
	75°			70°			65°			
	m	m	kg	m	m	kg	m	m	kg	m
13,7										13,7
14,0										14,0
16,0										16,0
18,0										18,0
20,0										20,0
22,0										22,0
24,0										24,0
26,0										26,0
28,0	61,8	69,1	11 300							28,0
30,0	57,9	68,0	10 300							30,0
32,0	53,8	66,6	9 400							32,0
34,0	49,4	65,0	8 600	56,3	66,4	7 600				34,0
36,0	44,7	63,1	8 000	52,1	64,9	7 000				36,0
38,0	39,6	60,9	7 400	47,6	63,2	6 400				38,0
40,0	33,9	58,3	6 800	42,8	61,3	5 900	50,2	62,9	5 100	40,0
42,0	27,2	54,9	6 300	37,5	58,9	5 500	45,6	61,1	4 700	42,0
44,0	18,4	50,1	5 900	31,5	56,0	5 100	40,6	58,9	4 300	44,0
46,0				24,2	52,2	4 700	35,0	56,3	4 000	46,0
48,0				13,6	46,3	4 400	28,5	53,1	3 700	48,0
50,0							20,2	48,7	3 400	50,0

MLC165-1 S-1

ASME B30.5



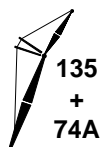
46 000 kg
+
0 kg



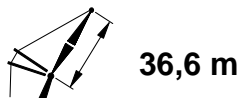
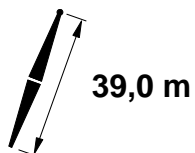
m	87°			83°			80°			m
	m	m	kg	m	kg	m	kg	m		
13,7	74,8	76,3	25 000 c						13,7	
14,0	74,4	76,2	25 000 c						14,0	
16,0	71,1	75,6	25 000 b						16,0	
18,0	67,7	74,8	24 300						18,0	
20,0	64,3	73,9	22 500	68,9	74,8	20 800 b			20,0	
22,0	60,8	72,9	19 800	65,5	74,0	18 300			22,0	
24,0	57,1	71,7	17 700	62,0	73,0	16 400	65,6	73,6	15 400	24,0
26,0	53,3	70,3	16 000	58,4	71,8	14 700	62,1	72,7	13 800	26,0
28,0	49,3	68,7	14 500	54,7	70,5	13 400	58,5	71,5	12 500	28,0
30,0	45,0	66,8	13 200	50,7	69,0	12 200	54,7	70,2	11 400	30,0
32,0	40,4	64,7	12 100	46,6	67,2	11 200	50,8	68,7	10 400	32,0
34,0	35,3	62,1	11 200	42,1	65,2	10 300	46,6	66,9	9 600	34,0
36,0	29,4	58,9	10 300	37,2	62,8	9 500	42,1	64,9	8 900	36,0
38,0	22,2	54,8	9 600	31,6	59,9	8 800	37,2	62,5	8 200	38,0
40,0				25,0	56,1	8 200	31,7	59,5	7 600	40,0
42,0				16,1	50,8	7 600	25,1	55,8	7 100	42,0
44,0							16,2	50,5	6 600	44,0
46,0										46,0
48,0										48,0
50,0										50,0
52,0										52,0
54,0										54,0

MLC165-1 S-1

ASME B30.5



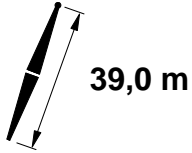
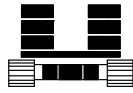
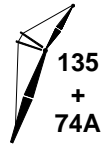
46 000 kg
+
0 kg




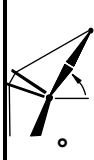
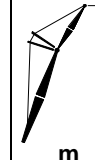





	75°			70°			65°			
	m	m	kg	m	m	kg	m	m	kg	m
13,7										13,7
14,0										14,0
16,0										16,0
18,0										18,0
20,0										20,0
22,0										22,0
24,0										24,0
26,0										26,0
28,0										28,0
30,0	60,8	71,5	10 100							30,0
32,0	57,2	70,3	9 200							32,0
34,0	53,4	68,9	8 500							34,0
36,0	49,4	67,3	7 800	55,7	68,7	6 800				36,0
38,0	45,1	65,5	7 200	51,9	67,2	6 200				38,0
40,0	40,5	63,3	6 700	47,7	65,5	5 800				40,0
42,0	35,4	60,7	6 200	43,4	63,6	5 300	50,1	65,2	4 500	42,0
44,0	29,5	57,6	5 700	38,6	61,3	4 900	45,9	63,4	4 100	44,0
46,0	22,4	53,5	5 300	33,2	58,5	4 600	41,3	61,3	3 800	46,0
48,0				27,0	55,1	4 200	36,3	58,8	3 500	48,0
50,0				19,0	50,4	3 900	30,6	55,8	3 200	50,0
52,0							23,8	51,9	3 000	52,0
54,0							14,1	46,0	2 700	54,0

MLC165-1 S-1

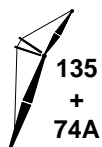
ASME B30.5



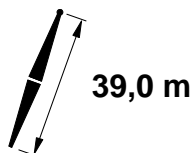
	87°			83°			80°			
	 m	 m	 kg	 m	 kg	 m	 kg	 m		
15,2	73,7	79,0	20 800 b						15,2	
16,0	72,6	78,8	20 600 b						16,0	
18,0	69,5	78,1	20 100						18,0	
20,0	66,4	77,3	19 700	70,6	78,1	20 300 b			20,0	
22,0	63,2	76,3	19 200	67,5	77,3	18 300			22,0	
24,0	59,9	75,3	17 700	64,4	76,4	16 300			24,0	
26,0	56,5	74,0	15 900	61,1	75,4	14 600	64,4	76,1	13 700	26,0
28,0	53,0	72,6	14 400	57,7	74,2	13 300	61,1	75,0	12 400	28,0
30,0	49,3	71,0	13 100	54,3	72,8	12 100	57,8	73,9	11 300	30,0
32,0	45,3	69,1	12 100	50,6	71,3	11 100	54,3	72,5	10 300	32,0
34,0	41,1	67,0	11 100	46,8	69,5	10 200	50,6	71,0	9 500	34,0
36,0	36,5	64,5	10 300	42,6	67,5	9 400	46,8	69,2	8 800	36,0
38,0	31,3	61,6	9 500	38,2	65,2	8 700	42,7	67,2	8 100	38,0
40,0	25,2	57,8	8 800	33,2	62,4	8 100	38,2	64,9	7 500	40,0
42,0	17,2	52,7	8 200	27,5	59,0	7 500	33,3	62,1	7 000	42,0
44,0				20,4	54,5	7 000	27,6	58,7	6 500	44,0
46,0							20,4	54,2	6 000	46,0
48,0										48,0
50,0										50,0
52,0										52,0
54,0										54,0
56,0										56,0

MLC165-1 S-1

ASME B30.5



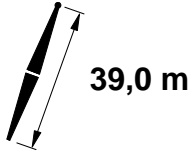
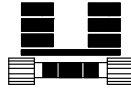
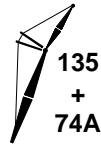
46 000 kg
+
0 kg



m	75°			70°			65°			m
	m	m	kg	m	m	kg	m	m	kg	
15,2										15,2
16,0										16,0
18,0										18,0
20,0										20,0
22,0										22,0
24,0										24,0
26,0										26,0
28,0										28,0
30,0										30,0
32,0	60,0	73,9	9 100							32,0
34,0	56,6	72,6	8 400							34,0
36,0	53,0	71,2	7 700							36,0
38,0	49,3	69,6	7 100	55,2	71,0	6 100				38,0
40,0	45,4	67,8	6 600	51,6	69,5	5 600				40,0
42,0	41,2	65,6	6 100	47,8	67,8	5 200				42,0
44,0	36,6	63,2	5 700	43,8	65,9	4 800	50,0	67,5	4 000	44,0
46,0	31,4	60,2	5 300	39,5	63,7	4 500	46,1	65,7	3 700	46,0
48,0	25,3	56,5	4 900	34,7	61,0	4 100	41,9	63,6	3 400	48,0
50,0	17,4	51,4	4 500	29,2	57,8	3 800	37,4	61,2	3 100	50,0
52,0				22,6	53,7	3 600	32,4	58,3	2 800	52,0
54,0				13,1	47,5	3 300	26,5	54,8	2 600	54,0
56,0							19,0	50,0	2 300	56,0

MLC165-1 S-1

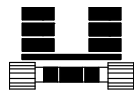
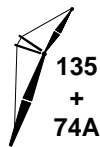
ASME B30.5



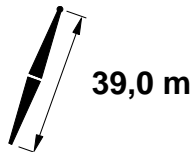
	87°			83°			80°			
	m	m	kg	m	kg	m	kg	m		
15,2	74,9	82,2	19 400 b						15,2	
16,0	73,9	82,0	19 300 b						16,0	
18,0	71,1	81,3	18 900						18,0	
20,0	68,2	80,6	18 500						20,0	
22,0	65,3	79,7	18 000	69,2	80,6	18 100			22,0	
24,0	62,3	78,7	17 200	66,3	79,8	16 100			24,0	
26,0	59,2	77,6	15 800	63,3	78,8	14 500	66,3	79,4	13 600	26,0
28,0	56,0	76,3	14 300	60,3	77,7	13 100	63,4	78,5	12 300	28,0
30,0	52,7	74,9	13 000	57,2	76,5	12 000	60,3	77,4	11 100	30,0
32,0	49,3	73,3	11 900	53,9	75,2	10 900	57,2	76,2	10 200	32,0
34,0	45,6	71,5	11 000	50,5	73,6	10 100	53,9	74,8	9 400	34,0
36,0	41,7	69,4	10 100	46,9	71,9	9 300	50,5	73,3	8 600	36,0
38,0	37,5	66,9	9 400	43,1	69,9	8 600	46,9	71,5	8 000	38,0
40,0	32,8	64,1	8 700	39,0	67,6	8 000	43,2	69,5	7 400	40,0
42,0	27,5	60,7	8 100	34,6	64,9	7 400	39,1	67,2	6 900	42,0
44,0	20,9	56,2	7 600	29,5	61,7	6 900	34,6	64,6	6 400	44,0
46,0				23,5	57,7	6 400	29,5	61,4	5 900	46,0
48,0				15,4	52,0	6 000	23,5	57,4	5 500	48,0
50,0							15,4	51,7	5 100	50,0
52,0										52,0
54,0										54,0
56,0										56,0
58,0										58,0
60,0										60,0

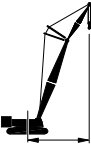



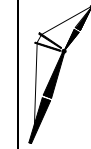




MLC165-1 S-1

ASME B30.5



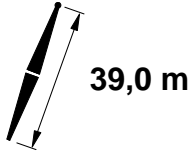
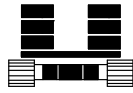
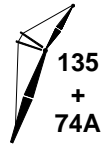
46 000 kg
+
0 kg



	75°			70°			65°			
	 m	 m	 kg	 m	 m	 kg	 m	 m	 kg	
15,2										15,2
16,0										16,0
18,0										18,0
20,0										20,0
22,0										22,0
24,0										24,0
26,0										26,0
28,0										28,0
30,0										30,0
32,0	62,3	77,3	9 000							32,0
34,0	59,2	76,2	8 200							34,0
36,0	56,1	75,0	7 500							36,0
38,0	52,8	73,5	6 900							38,0
40,0	49,3	71,9	6 400	54,8	73,3	5 500				40,0
42,0	45,7	70,1	5 900	51,5	71,8	5 100				42,0
44,0	41,8	68,0	5 500	47,9	70,1	4 700				44,0
46,0	37,6	65,6	5 100	44,2	68,2	4 300	49,9	69,8	3 500	46,0
48,0	32,9	62,7	4 800	40,2	66,0	4 000	46,3	68,0	3 100	48,0
50,0	27,6	59,3	4 400	35,8	63,5	3 700	42,5	65,9	2 900	50,0
52,0	21,1	54,9	4 100	31,0	60,4	3 400	38,3	63,6	2 600	52,0
54,0				25,3	56,7	3 200	33,8	60,8	2 300	54,0
56,0				18,0	51,6	2 900	28,6	57,5	2 100	56,0
58,0							22,3	53,3	1 900	58,0
60,0							13,6	47,2	1 700	60,0

MLC165-1 S-1

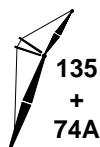
ASME B30.5



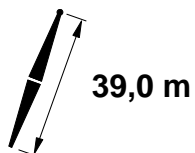
m	87°			83°			80°			m
	m	m	kg	m	m	kg	m	m	kg	
16,8	74,0	84,9	17 900 b							16,8
18,0	72,4	84,5	17 700							18,0
20,0	69,7	83,9	17 300							20,0
22,0	67,0	83,1	16 700							22,0
24,0	64,3	82,2	15 900	68,0	83,1	16 100				24,0
26,0	61,4	81,1	15 200	65,2	82,2	14 400				26,0
28,0	58,6	80,0	14 300	62,5	81,2	13 100	65,3	81,9	12 200	28,0
30,0	55,6	78,7	13 000	59,6	80,1	11 900	62,5	80,9	11 100	30,0
32,0	52,5	77,2	11 900	56,6	78,9	10 900	59,6	79,8	10 100	32,0
34,0	49,2	75,6	10 900	53,6	77,5	10 000	56,7	78,5	9 300	34,0
36,0	45,8	73,8	10 100	50,4	75,9	9 200	53,6	77,1	8 600	36,0
38,0	42,2	71,7	9 400	47,1	74,2	8 500	50,4	75,6	7 900	38,0
40,0	38,4	69,3	8 700	43,5	72,2	7 900	47,1	73,8	7 300	40,0
42,0	34,1	66,6	8 100	39,8	69,9	7 400	43,6	71,9	6 800	42,0
44,0	29,3	63,4	7 600	35,7	67,3	6 900	39,8	69,6	6 300	44,0
46,0	23,7	59,4	7 100	31,1	64,3	6 400	35,7	67,0	5 900	46,0
48,0	16,4	53,9	6 600	25,8	60,6	6 000	31,1	64,0	5 500	48,0
50,0				19,3	55,8	5 600	25,9	60,3	5 100	50,0
52,0							19,4	55,5	4 800	52,0
54,0										54,0
56,0										56,0
58,0										58,0
60,0										60,0
62,0										62,0

MLC165-1 S-1

ASME B30.5



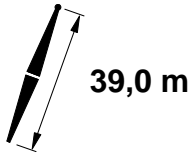
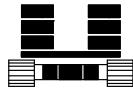
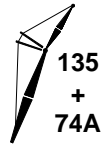
46 000 kg
+
0 kg



m	75°			70°			65°			m
	m	m	kg	m	m	kg	m	m	kg	
16,8										16,8
18,0										18,0
20,0										20,0
22,0										22,0
24,0										24,0
26,0										26,0
28,0										28,0
30,0										30,0
32,0										32,0
34,0	61,5	79,7	8 200							34,0
36,0	58,6	78,6	7 500							36,0
38,0	55,6	77,3	6 900							38,0
40,0	52,5	75,8	6 400							40,0
42,0	49,3	74,2	5 900	54,4	75,7	5 000				42,0
44,0	45,9	72,4	5 500	51,3	74,1	4 600				44,0
46,0	42,3	70,3	5 100	48,0	72,4	4 300				46,0
48,0	38,4	68,0	4 700	44,5	70,5	4 000	49,9	72,1	3 100	48,0
50,0	34,2	65,2	4 400	40,8	68,4	3 700	46,5	70,3	2 800	50,0
52,0	29,4	62,0	4 100	36,8	65,9	3 400	42,9	68,3	2 500	52,0
54,0	23,8	58,0	3 800	32,4	63,0	3 100	39,1	66,0	2 300	54,0
56,0	16,6	52,6	3 500	27,4	59,5	2 900	35,0	63,3	2 100	56,0
58,0				21,3	55,1	2 600	30,3	60,2	1 800	58,0
60,0				12,8	48,6	2 400	24,9	56,4	1 600	60,0
62,0							18,0	51,3	1 400	62,0

MLC165-1 S-1

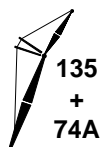
ASME B30.5



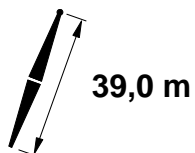
m	87°			83°			80°			m
	m	m	kg	m	m	kg	m	m	kg	
18,3	73,1	87,6	16 300							18,3
20,0	71,0	87,1	15 800							20,0
22,0	68,5	86,4	15 300							22,0
24,0	66,0	85,5	14 700	69,4	86,3	15 700				24,0
26,0	63,4	84,6	14 000	66,9	85,5	14 300				26,0
28,0	60,7	83,5	13 400	64,3	84,6	12 900	66,9	85,2	12 100	28,0
30,0	58,0	82,3	12 700	61,7	83,6	11 800	64,3	84,3	11 000	30,0
32,0	55,2	81,0	11 800	59,0	82,5	10 800	61,7	83,3	10 000	32,0
34,0	52,3	79,5	10 800	56,2	81,2	9 900	59,0	82,1	9 200	34,0
36,0	49,2	77,9	10 000	53,3	79,8	9 100	56,2	80,9	8 400	36,0
38,0	46,0	76,1	9 300	50,3	78,2	8 400	53,3	79,5	7 800	38,0
40,0	42,7	74,0	8 600	47,2	76,5	7 800	50,3	77,9	7 200	40,0
42,0	39,1	71,7	8 000	43,9	74,5	7 200	47,2	76,1	6 700	42,0
44,0	35,2	69,1	7 500	40,4	72,3	6 700	43,9	74,2	6 200	44,0
46,0	30,9	66,0	7 000	36,6	69,8	6 300	40,4	72,0	5 800	46,0
48,0	25,9	62,3	6 500	32,5	66,9	5 900	36,6	69,5	5 400	48,0
50,0	19,9	57,6	6 100	27,8	63,4	5 500	32,5	66,5	5 000	50,0
52,0				22,2	59,1	5 100	27,8	63,1	4 700	52,0
54,0				14,8	53,2	4 800	22,3	58,8	4 400	54,0
56,0							14,9	52,9	4 100	56,0
58,0										58,0
60,0										60,0
62,0										62,0
64,0										64,0


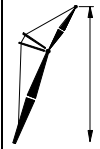


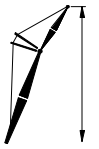


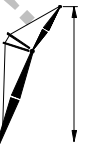

MLC165-1 S-1

ASME B30.5



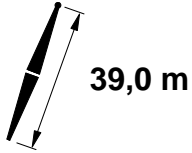
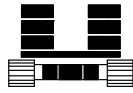
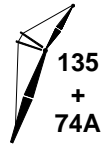
46 000 kg
+
0 kg



	75°			70°			65°			
										
m	m	m	kg	m	m	kg	m	m	kg	m
18,3										18,3
20,0										20,0
22,0										22,0
24,0										24,0
26,0										26,0
28,0										28,0
30,0										30,0
32,0										32,0
34,0										34,0
36,0	60,8	82,1	7 300							36,0
38,0	58,0	80,9	6 700							38,0
40,0	55,2	79,6	6 200							40,0
42,0	52,3	78,1	5 800							42,0
44,0	49,3	76,5	5 300	54,1	78,0	4 500				44,0
46,0	46,1	74,7	4 900	51,1	76,4	4 100				46,0
48,0	42,7	72,6	4 600	48,1	74,7	3 800				48,0
50,0	39,1	70,3	4 300	44,8	72,8	3 500	49,8	74,4	2 500	50,0
52,0	35,3	67,7	4 000	41,4	70,7	3 200	46,7	72,6	2 300	52,0
54,0	31,0	64,6	3 700	37,7	68,3	2 900	43,3	70,6	2 100	54,0
56,0	26,0	61,0	3 400	33,7	65,5	2 700	39,8	68,3	1 800	56,0
58,0	20,0	56,2	3 200	29,1	62,2	2 400	36,0	65,8	1 600	58,0
60,0				23,9	58,2	2 200	31,7	62,8	1 400	60,0
62,0				17,2	52,9	2 000				62,0
64,0				4,9	42,6	1 800				64,0

MLC165-1 S-1

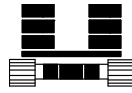
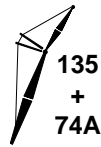
ASME B30.5



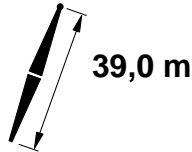
m	87°			83°			80°			m
	m	m	kg	m	m	kg	m	m	kg	
18,3	74,2	90,8	14 700							18,3
20,0	72,2	90,3	14 400							20,0
22,0	69,8	89,6	13 900							22,0
24,0	67,5	88,8	13 500							24,0
26,0	65,1	87,9	13 000	68,3	88,8	14 000				26,0
28,0	62,6	87,0	12 400	65,9	88,0	12 900				28,0
30,0	60,1	85,9	11 700	63,5	87,0	11 700	65,9	87,7	10 900	30,0
32,0	57,5	84,7	11 000	61,0	86,0	10 700	63,5	86,7	9 900	32,0
34,0	54,8	83,3	10 400	58,4	84,8	9 800	61,0	85,7	9 100	34,0
36,0	52,1	81,8	9 700	55,8	83,5	9 000	58,4	84,5	8 300	36,0
38,0	49,2	80,2	9 200	53,1	82,1	8 300	55,8	83,2	7 700	38,0
40,0	46,2	78,4	8 500	50,2	80,5	7 700	53,1	81,8	7 100	40,0
42,0	43,1	76,4	7 900	47,3	78,8	7 100	50,3	80,2	6 600	42,0
44,0	39,7	74,1	7 400	44,2	76,8	6 600	47,3	78,4	6 100	44,0
46,0	36,1	71,5	6 900	40,9	74,6	6 200	44,2	76,5	5 700	46,0
48,0	32,2	68,6	6 400	37,4	72,2	5 800	41,0	74,3	5 300	48,0
50,0	27,8	65,1	6 000	33,6	69,4	5 400	37,5	71,9	4 900	50,0
52,0	22,6	60,8	5 400	29,4	66,1	5 000	33,7	69,1	4 600	52,0
54,0	15,8	55,1	5 000	24,5	62,2	4 700	29,4	65,8	4 300	54,0
56,0				18,5	57,1	4 400	24,6	61,9	4 000	56,0
58,0							18,5	56,8	3 700	58,0
60,0										60,0
62,0										62,0
64,0										64,0
66,0										66,0

MLC165-1 S-1

ASME B30.5



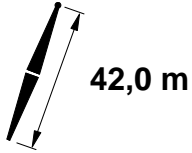
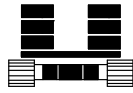
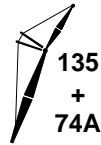
46 000 kg
+
0 kg



	75°			70°			
	m	m	kg	m	m	kg	
18,3							18,3
20,0							20,0
22,0							22,0
24,0							24,0
26,0							26,0
28,0							28,0
30,0							30,0
32,0							32,0
34,0							34,0
36,0							36,0
38,0	60,1	84,5	6 600				38,0
40,0	57,5	83,3	6 100				40,0
42,0	54,9	81,9	5 600				42,0
44,0	52,1	80,4	5 200				44,0
46,0	49,3	78,8	4 800	53,8	80,3	4 000	46,0
48,0	46,3	77,0	4 500	51,0	78,8	3 600	48,0
50,0	43,1	75,0	4 200	48,1	77,0	3 300	50,0
52,0	39,8	72,7	3 900	45,1	75,2	3 000	52,0
54,0	36,2	70,1	3 600	41,9	73,0	2 800	54,0
56,0	32,3	67,2	3 300	38,4	70,7	2 500	56,0
58,0	27,8	63,7	3 100	34,7	68,0	2 300	58,0
60,0	22,6	59,5	2 800	30,6	64,9	2 100	60,0
62,0	16,0	53,8	2 600	25,9	61,1	1 900	62,0
64,0				20,3	56,5	1 700	64,0
66,0				12,5	49,7	1 500	66,0

MLC165-1 S-1

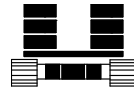
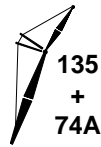
ASME B30.5



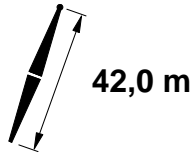
	87°			83°			80°			
	m	m	kg	m	m	kg	m	m	kg	
10,4	73,5	64,4	39 100 d							10,4
12,0	68,9	63,8	38 900 c							12,0
14,0	63,0	63,0	35 600 c							14,0
16,0	56,8	61,8	30 500 b	65,7	63,1	28 300 c				16,0
18,0	50,1	60,3	26 100 b	59,6	62,1	24 200 b				18,0
20,0	42,6	58,4	22 800	53,2	60,7	21 100 b	60,2	61,8	19 800 b	20,0
22,0	34,0	55,9	20 200	46,1	59,0	18 700 b	53,8	60,5	17 500 b	22,0
24,0	22,6	52,1	18 000	38,1	56,8	16 700	46,8	58,8	15 700	24,0
26,0				28,3	53,8	15 000	38,9	56,7	14 100	26,0
28,0							29,3	53,7	12 800	28,0
30,0							15,0	48,8	11 600	30,0
32,0										32,0
34,0										34,0
36,0										36,0
38,0										38,0


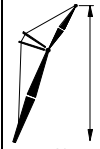
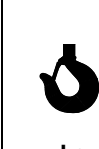

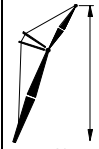


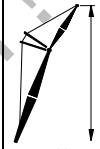

MLC165-1 S-1

ASME B30.5



46 000 kg
+
0 kg

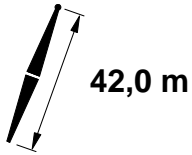
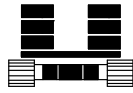
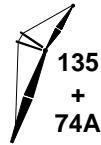










	75°			70°			65°			
										
	m	m	kg	m	m	kg	m	m	kg	m
10,4										10,4
12,0										12,0
14,0										14,0
16,0										16,0
18,0										18,0
20,0										20,0
22,0										22,0
24,0	58,8	60,7	14 000 b							24,0
26,0	52,3	59,3	12 600 b							26,0
28,0	45,1	57,6	11 400							28,0
30,0	37,0	55,3	10 400	50,5	57,7	9 100 b				30,0
32,0	26,8	52,0	9 500	43,1	55,9	8 300				32,0
34,0				34,6	53,4	7 600	48,2	55,7	6 600 b	34,0
36,0				23,5	49,8	7 000	40,6	53,7	6 000	36,0
38,0							31,4	50,9	5 500	38,0

REFERENCE ONLY

MLC165-1 S-1

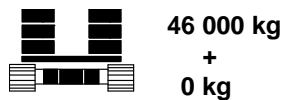
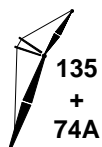
ASME B30.5


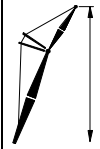


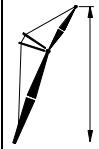


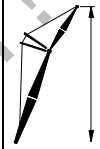



	87°			83°			80°			
	 m	 m	 kg	 m	 kg	 m	 kg	 m		
11,0	74,1	67,4	35 800 d						11,0	
12,0	71,6	67,1	35 700 c						12,0	
14,0	66,6	66,3	34 600 c						14,0	
16,0	61,3	65,3	30 500 b	68,9	66,4	28 100 c			16,0	
18,0	55,8	64,1	26 000 b	63,8	65,5	24 000 b			18,0	
20,0	49,9	62,6	22 700	58,4	64,4	21 000 b	64,2	65,2	19 700 b	20,0
22,0	43,5	60,7	20 100	52,7	63,0	18 500 b	58,9	64,2	17 400 b	22,0
24,0	36,1	58,3	18 000	46,5	61,3	16 600	53,2	62,8	15 500	24,0
26,0	27,1	55,1	16 200	39,6	59,2	14 900	47,1	61,1	14 000	26,0
28,0				31,5	56,4	13 500	40,2	59,0	12 700	28,0
30,0				20,9	52,3	12 300	32,3	56,3	11 600	30,0
32,0							22,0	52,4	10 600	32,0
34,0										34,0
36,0										36,0
38,0										38,0
40,0										40,0
42,0										42,0

MLC165-1 S-1

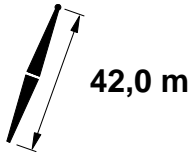
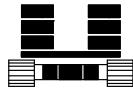
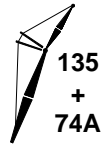
ASME B30.5



	75°			70°			65°			
	 m	 m	 kg	 m	 m	 kg	 m	 m	 kg	
11,0										11,0
12,0										12,0
14,0										14,0
16,0										16,0
18,0										18,0
20,0										20,0
22,0										22,0
24,0										24,0
26,0	57,7	63,0	12 400 b							26,0
28,0	51,9	61,6	11 200							28,0
30,0	45,6	59,9	10 200							30,0
32,0	38,6	57,7	9 400	50,3	60,0	8 200				32,0
34,0	30,3	54,7	8 600	43,9	58,2	7 500				34,0
36,0	19,1	50,4	7 900	36,6	55,8	6 900	48,3	58,0	5 800	36,0
38,0				27,8	52,6	6 300	41,7	56,0	5 400	38,0
40,0							34,0	53,5	4 900	40,0
42,0							24,4	49,9	4 500	42,0

MLC165-1 S-1

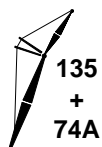
ASME B30.5



	87°			83°			80°			
	m	m	kg	m	m	kg	m	m	kg	
11,6	74,6	70,4	32 800 d							11,6
12,0	73,7	70,3	32 800 c							12,0
14,0	69,3	69,6	32 400 c							14,0
16,0	64,8	68,8	30 200 b							16,0
18,0	60,0	67,7	26 000 b	66,9	68,9	24 000 b				18,0
20,0	55,1	66,4	22 600	62,2	67,9	20 900 b	67,2	68,6	19 600 b	20,0
22,0	49,8	64,9	20 000	57,4	66,8	18 500 b	62,6	67,6	17 300 b	22,0
24,0	44,1	63,0	17 900	52,3	65,3	16 500	57,8	66,5	15 400	24,0
26,0	37,7	60,7	16 200	46,8	63,6	14 900	52,7	65,1	13 900	26,0
28,0	30,2	57,8	14 700	40,8	61,6	13 500	47,3	63,4	12 600	28,0
30,0	20,5	53,5	13 400	33,9	58,9	12 300	41,3	61,4	11 500	30,0
32,0				25,4	55,4	11 300	34,5	58,8	10 500	32,0
34,0							26,2	55,4	9 700	34,0
36,0							14,0	49,9	8 900	36,0
38,0										38,0
40,0										40,0
42,0										42,0
44,0										44,0

MLC165-1 S-1

ASME B30.5



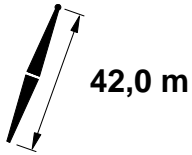
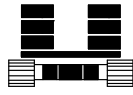
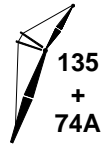
46 000 kg
+
0 kg



	75°			70°			65°			
	m	m	kg	m	m	kg	m	kg	m	
11,6									11,6	
12,0									12,0	
14,0									14,0	
16,0									16,0	
18,0									18,0	
20,0									20,0	
22,0									22,0	
24,0									24,0	
26,0	61,6	66,6	12 300 b						26,0	
28,0	56,7	65,4	11 100 b						28,0	
30,0	51,6	63,9	10 100						30,0	
32,0	46,0	62,2	9 300	55,4	63,9	8 000			32,0	
34,0	39,9	60,0	8 500	50,2	62,3	7 400			34,0	
36,0	32,8	57,3	7 800	44,5	60,5	6 800			36,0	
38,0	24,1	53,6	7 200	38,2	58,2	6 200	48,4	60,3	5 300	38,0
40,0				30,8	55,3	5 800	42,6	58,4	4 800	40,0
42,0				21,2	51,2	5 300	35,9	55,9	4 500	42,0
44,0							28,1	52,7	4 100	44,0

MLC165-1 S-1

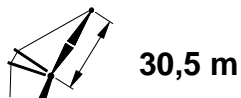
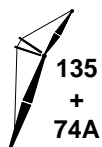
ASME B30.5



m	87°			83°			80°			m
	m	m	kg	m	m	kg	m	m	kg	
12,2	75,0	73,4	30 200 c							12,2
14,0	71,4	72,8	29 900 c							14,0
16,0	67,4	72,1	28 400 b							16,0
18,0	63,3	71,2	25 800 b							18,0
20,0	59,0	70,1	22 500	65,2	71,3	20 700 b				20,0
22,0	54,5	68,8	19 900	61,0	70,3	18 300 b	65,6	71,0	17 200 b	22,0
24,0	49,7	67,2	17 800	56,6	69,1	16 400	61,4	70,0	15 300	24,0
26,0	44,6	65,4	16 100	52,0	67,7	14 700	57,0	68,8	13 800	26,0
28,0	39,0	63,1	14 600	47,0	65,9	13 400	52,4	67,4	12 500	28,0
30,0	32,5	60,3	13 300	41,6	63,9	12 200	47,4	65,7	11 400	30,0
32,0	24,7	56,7	12 200	35,6	61,4	11 200	42,1	63,7	10 400	32,0
34,0				28,5	58,2	10 300	36,1	61,3	9 600	34,0
36,0				19,2	53,7	9 500	29,2	58,1	8 800	36,0
38,0							20,2	53,8	8 100	38,0
40,0										40,0
42,0										42,0
44,0										44,0
46,0										46,0
48,0										48,0

MLC165-1 S-1

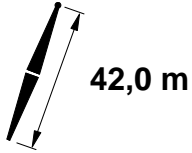
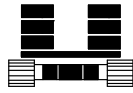
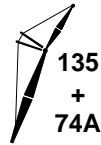
ASME B30.5



	75°			70°			65°			
	m	m	kg	m	m	kg	m	m	kg	m
12,2										12,2
14,0										14,0
16,0										16,0
18,0										18,0
20,0										20,0
22,0										22,0
24,0										24,0
26,0										26,0
28,0	60,4	68,9	11 000							28,0
30,0	56,0	67,7	10 000							30,0
32,0	51,3	66,2	9 100							32,0
34,0	46,3	64,5	8 400	54,8	66,2	7 200				34,0
36,0	40,9	62,4	7 700	50,1	64,6	6 600				36,0
38,0	34,7	59,8	7 100	45,0	62,8	6 100				38,0
40,0	27,5	56,5	6 600	39,3	60,6	5 600	48,5	62,6	4 700	40,0
42,0	17,6	51,7	6 100	33,0	57,9	5 200	43,2	60,7	4 300	42,0
44,0				25,2	54,3	4 800	37,4	58,3	3 900	44,0
46,0							30,7	55,4	3 600	46,0
48,0							22,3	51,4	3 300	48,0

MLC165-1 S-1

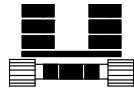
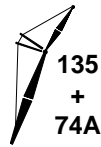
ASME B30.5



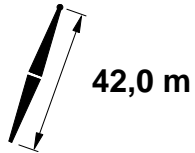
m	87°			83°			80°			m
	m	m	kg	m	m	kg	m	m	kg	
13,7	73,7	76,1	27 800 c							13,7
14,0	73,2	76,0	27 600 c							14,0
16,0	69,6	75,4	26 300 b							16,0
18,0	65,9	74,6	24 600 b							18,0
20,0	62,1	73,6	22 600	67,6	74,6	20 700 b				20,0
22,0	58,1	72,4	19 900	63,8	73,7	18 300				22,0
24,0	54,0	71,1	17 800	60,0	72,7	16 300	64,2	73,5	15 300	24,0
26,0	49,7	69,5	16 000	55,9	71,4	14 700	60,3	72,4	13 700	26,0
28,0	45,0	67,7	14 600	51,7	70,0	13 300	56,3	71,2	12 400	28,0
30,0	40,0	65,5	13 300	47,2	68,2	12 200	52,1	69,7	11 300	30,0
32,0	34,3	62,8	12 200	42,3	66,2	11 200	47,6	68,0	10 400	32,0
34,0	27,7	59,5	11 200	37,0	63,8	10 300	42,8	66,1	9 600	34,0
36,0	19,0	54,9	10 400	30,9	60,8	9 500	37,5	63,7	8 800	36,0
38,0				23,4	56,9	8 800	31,4	60,8	8 200	38,0
40,0							24,1	57,0	7 600	40,0
42,0							13,4	51,1	7 000	42,0
44,0										44,0
46,0										46,0
48,0										48,0
50,0										50,0

MLC165-1 S-1

ASME B30.5



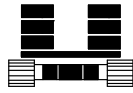
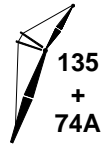
46 000 kg
+
0 kg



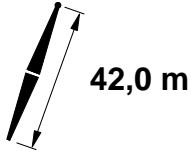
	75°			70°			65°			
	m	m	kg	m	m	kg	m	m	kg	m
13,7										13,7
14,0										14,0
16,0										16,0
18,0										18,0
20,0										20,0
22,0										22,0
24,0										24,0
26,0										26,0
28,0										28,0
30,0	59,4	71,3	10 000							30,0
32,0	55,4	70,0	9 100							32,0
34,0	51,1	68,5	8 400							34,0
36,0	46,6	66,8	7 700	54,3	68,5	6 600				36,0
38,0	41,7	64,7	7 100	50,0	66,9	6 100				38,0
40,0	36,2	62,2	6 600	45,3	65,1	5 600				40,0
42,0	30,0	59,2	6 100	40,3	63,0	5 200	48,5	64,9	4 300	42,0
44,0	22,2	55,1	5 700	34,7	60,4	4 800	43,8	63,0	3 900	44,0
46,0				28,1	57,1	4 400	38,6	60,7	3 600	46,0
48,0				19,7	52,6	4 100	32,7	57,9	3 300	48,0
50,0							25,7	54,4	3 000	50,0

MLC165-1 S-1

ASME B30.5



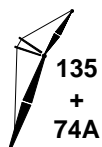
46 000 kg
+
0 kg



m	87°			83°			80°			m
	m	m	kg	m	m	kg	m	m	kg	
15,2	72,6	78,8	24 500 b							15,2
16,0	71,3	78,6	24 100 b							16,0
18,0	68,0	77,9	22 800							18,0
20,0	64,6	77,0	21 500	69,5	77,9	20 600 b				20,0
22,0	61,1	76,0	19 900	66,2	77,1	18 200				22,0
24,0	57,4	74,8	17 700	62,7	76,1	16 200				24,0
26,0	53,6	73,4	15 900	59,1	75,0	14 600	63,0	75,9	13 600	26,0
28,0	49,6	71,8	14 500	55,4	73,7	13 200	59,4	74,8	12 300	28,0
30,0	45,4	70,0	13 200	51,5	72,3	12 000	55,7	73,5	11 200	30,0
32,0	40,8	67,8	12 100	47,3	70,5	11 000	51,8	72,0	10 200	32,0
34,0	35,7	65,3	11 100	42,9	68,6	10 200	47,7	70,3	9 400	34,0
36,0	29,9	62,2	10 300	38,1	66,2	9 400	43,3	68,4	8 700	36,0
38,0	22,9	58,2	9 500	32,7	63,4	8 700	38,5	66,1	8 000	38,0
40,0				26,3	59,9	8 100	33,2	63,3	7 400	40,0
42,0				18,0	55,0	7 500	26,9	59,8	6 900	42,0
44,0							18,9	55,1	6 400	44,0
46,0										46,0
48,0										48,0
50,0										50,0
52,0										52,0
54,0										54,0

MLC165-1 S-1

ASME B30.5



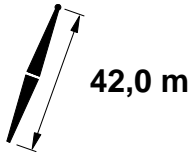
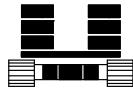
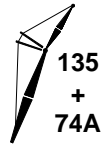
46 000 kg
+
0 kg



m	75°			70°			65°			m
	m	m	kg	m	m	kg	m	m	kg	
15,2										15,2
16,0										16,0
18,0										18,0
20,0										20,0
22,0										22,0
24,0										24,0
26,0										26,0
28,0										28,0
30,0										30,0
32,0	58,6	73,7	8 900							32,0
34,0	54,9	72,3	8 200							34,0
36,0	50,9	70,8	7 500							36,0
38,0	46,8	69,1	7 000	53,9	70,8	5 900				38,0
40,0	42,3	67,1	6 400	49,9	69,2	5 400				40,0
42,0	37,4	64,7	6 000	45,6	67,4	5 000				42,0
44,0	31,9	61,8	5 500	41,1	65,3	4 600	48,6	67,2	3 700	44,0
46,0	25,4	58,1	5 100	36,1	62,8	4 300	44,2	65,3	3 400	46,0
48,0	16,6	52,9	4 800	30,3	59,7	4 000	39,5	63,1	3 100	48,0
50,0				23,4	55,8	3 700	34,3	60,4	2 800	50,0
52,0							28,3	57,2	2 500	52,0
54,0							20,7	52,8	2 300	54,0

MLC165-1 S-1

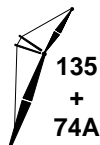
ASME B30.5



m	87°			83°			80°			m
	m	m	kg	m	m	kg	m	m	kg	
15,2	74,0	82,0	20 300 b							15,2
16,0	72,8	81,8	20 100 b							16,0
18,0	69,8	81,1	19 700							18,0
20,0	66,7	80,3	19 200							20,0
22,0	63,5	79,4	18 400	68,1	80,4	18 100				22,0
24,0	60,2	78,3	17 300	64,9	79,5	16 100				24,0
26,0	56,8	77,1	15 800	61,7	78,5	14 500	65,2	79,3	13 500	26,0
28,0	53,3	75,7	14 400	58,4	77,4	13 100	62,0	78,3	12 200	28,0
30,0	49,6	74,1	13 100	54,9	76,1	12 000	58,7	77,1	11 100	30,0
32,0	45,7	72,3	12 000	51,3	74,6	10 900	55,2	75,8	10 100	32,0
34,0	41,5	70,2	11 100	47,5	72,9	10 100	51,6	74,3	9 300	34,0
36,0	36,9	67,7	10 200	43,4	70,9	9 300	47,8	72,6	8 600	36,0
38,0	31,7	64,8	9 500	39,0	68,6	8 600	43,8	70,7	7 900	38,0
40,0	25,7	61,1	8 800	34,2	65,9	8 000	39,4	68,4	7 400	40,0
42,0	17,9	56,2	8 200	28,6	62,6	7 400	34,6	65,8	6 800	42,0
44,0				21,8	58,4	6 900	29,1	62,6	6 400	44,0
46,0							22,5	58,4	5 900	46,0
48,0							13,0	52,2	5 500	48,0
50,0										50,0
52,0										52,0
54,0										54,0
56,0										56,0

MLC165-1 S-1

ASME B30.5



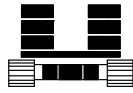
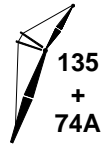
46 000 kg
+
0 kg



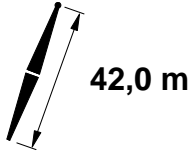
m	75°			70°			65°			m
	m	m	kg	m	m	kg	m	m	kg	
15,2										15,2
16,0										16,0
18,0										18,0
20,0										20,0
22,0										22,0
24,0										24,0
26,0										26,0
28,0										28,0
30,0										30,0
32,0	61,3	77,2	8 800							32,0
34,0	57,9	76,0	8 100							34,0
36,0	54,4	74,7	7 400							36,0
38,0	50,8	73,1	6 800							38,0
40,0	47,0	71,4	6 300	53,5	73,1	5 300				40,0
42,0	42,9	69,4	5 900	49,8	71,5	4 900				42,0
44,0	38,4	67,1	5 400	45,9	69,7	4 500				44,0
46,0	33,5	64,3	5 100	41,7	67,7	4 200	48,6	69,5	3 200	46,0
48,0	27,8	60,9	4 700	37,2	65,2	3 900	44,6	67,6	2 900	48,0
50,0	20,8	56,5	4 400	32,1	62,3	3 600	40,3	65,5	2 600	50,0
52,0				26,1	58,7	3 300	35,6	62,9	2 400	52,0
54,0				18,5	53,9	3 100	30,3	59,8	2 100	54,0
56,0							24,0	55,9	1 900	56,0

MLC165-1 S-1

ASME B30.5



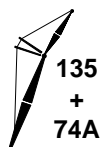
46 000 kg
+
0 kg



m	87°			83°			80°			m
	m	m	kg	m	m	kg	m	m	kg	
16,8	73,0	84,8	18 700 b							16,8
18,0	71,3	84,4	18 400							18,0
20,0	68,4	83,6	18 000							20,0
22,0	65,5	82,8	17 100	69,7	83,7	17 800				22,0
24,0	62,5	81,8	16 200	66,8	82,9	16 000				24,0
26,0	59,4	80,7	15 300	63,9	82,0	14 300	67,1	82,6	13 300	26,0
28,0	56,3	79,4	14 300	60,9	80,9	13 000	64,1	81,7	12 000	28,0
30,0	53,0	78,0	13 000	57,7	79,7	11 800	61,1	80,7	10 900	30,0
32,0	49,5	76,4	11 900	54,5	78,4	10 800	58,0	79,5	10 000	32,0
34,0	45,9	74,6	11 000	51,1	76,9	9 900	54,8	78,1	9 200	34,0
36,0	42,0	72,5	10 100	47,6	75,2	9 200	51,4	76,6	8 400	36,0
38,0	37,8	70,1	9 400	43,8	73,2	8 500	47,9	74,9	7 800	38,0
40,0	33,2	67,3	8 700	39,8	71,0	7 900	44,2	73,0	7 200	40,0
42,0	27,9	63,9	8 100	35,4	68,4	7 300	40,2	70,8	6 700	42,0
44,0	21,5	59,6	7 600	30,5	65,3	6 800	35,8	68,2	6 200	44,0
46,0				24,7	61,4	6 300	30,9	65,2	5 800	46,0
48,0				17,1	56,2	5 900	25,2	61,5	5 400	48,0
50,0							17,9	56,4	5 000	50,0
52,0										52,0
54,0										54,0
56,0										56,0
58,0										58,0

MLC165-1 S-1

ASME B30.5



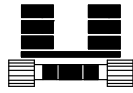
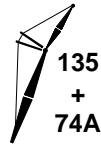
46 000 kg
+
0 kg



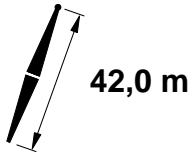
	75°			70°			65°			
	m	m	kg	m	m	kg	m	m	kg	m
16,8										16,8
18,0										18,0
20,0										20,0
22,0										22,0
24,0										24,0
26,0										26,0
28,0										28,0
30,0										30,0
32,0										32,0
34,0	60,4	79,6	7 900							34,0
36,0	57,3	78,3	7 300							36,0
38,0	54,1	77,0	6 700							38,0
40,0	50,7	75,4	6 200	56,5	76,8	5 100				40,0
42,0	47,1	73,7	5 700	53,2	75,4	4 700				42,0
44,0	43,3	71,7	5 300	49,8	73,8	4 400				44,0
46,0	39,2	69,4	4 900	46,1	72,0	4 000	52,1	73,5	2 900	46,0
48,0	34,8	66,8	4 600	42,3	70,0	3 700	48,6	71,8	2 700	48,0
50,0	29,8	63,6	4 200	38,1	67,6	3 400	44,9	70,0	2 400	50,0
52,0	23,8	59,6	3 900	33,5	64,8	3 100	41,0	67,8	2 100	52,0
54,0	15,9	54,1	3 600	28,3	61,5	2 900	36,7	65,3	1 900	54,0
56,0				22,0	57,2	2 600	31,9	62,4	1 700	56,0
58,0							26,4	58,8	1 500	58,0

MLC165-1 S-1

ASME B30.5



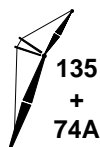
46 000 kg
+
0 kg


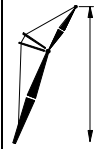


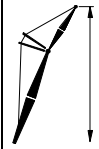


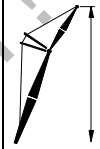



m	87°			83°			80°			m
	m	m	kg	m	m	kg	m	m	kg	
16,8	74,2	87,9	17 500 b							16,8
18,0	72,6	87,6	17 100							18,0
20,0	69,9	86,9	16 500							20,0
22,0	67,2	86,1	15 800							22,0
24,0	64,5	85,2	15 100	68,5	86,2	15 900				24,0
26,0	61,7	84,2	14 400	65,7	85,3	14 300				26,0
28,0	58,8	83,0	13 600	63,0	84,4	12 900	66,0	85,0	12 000	28,0
30,0	55,8	81,8	12 900	60,1	83,3	11 800	63,2	84,1	10 900	30,0
32,0	52,7	80,3	11 900	57,2	82,1	10 800	60,4	83,0	9 900	32,0
34,0	49,5	78,7	10 900	54,1	80,7	9 900	57,4	81,8	9 100	34,0
36,0	46,1	76,9	10 100	51,0	79,2	9 100	54,4	80,5	8 400	36,0
38,0	42,5	74,9	9 300	47,7	77,5	8 400	51,3	78,9	7 800	38,0
40,0	38,7	72,5	8 700	44,2	75,5	7 800	48,0	77,2	7 200	40,0
42,0	34,5	69,8	8 100	40,5	73,3	7 300	44,5	75,3	6 700	42,0
44,0	29,7	66,6	7 500	36,4	70,8	6 800	40,8	73,2	6 200	44,0
46,0	24,2	62,7	7 000	32,0	67,9	6 300	36,8	70,7	5 800	46,0
48,0	17,1	57,4	6 600	26,9	64,3	5 900	32,4	67,8	5 400	48,0
50,0				20,7	59,8	5 500	27,3	64,3	5 000	50,0
52,0							21,2	59,9	4 700	52,0
54,0							12,6	53,3	4 400	54,0
56,0										56,0
58,0										58,0
60,0										60,0

MLC165-1 S-1

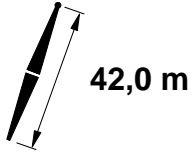
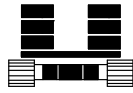
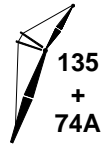
ASME B30.5



	75°			70°			65°			
	 m	 m	 kg	 m	 m	 kg	 m	 m	 kg	
16,8										16,8
18,0										18,0
20,0										20,0
22,0										22,0
24,0										24,0
26,0										26,0
28,0										28,0
30,0										30,0
32,0										32,0
34,0										34,0
36,0	59,7	81,9	7 200							36,0
38,0	56,8	80,7	6 600							38,0
40,0	53,7	79,3	6 100							40,0
42,0	50,6	77,7	5 700	56,0	79,2	4 700				42,0
44,0	47,2	76,0	5 200	52,9	77,7	4 300				44,0
46,0	43,7	74,0	4 900	49,7	76,1	4 000				46,0
48,0	40,0	71,8	4 500	46,3	74,3	3 700				48,0
50,0	35,9	69,2	4 200	42,8	72,3	3 300	48,6	74,1	2 300	50,0
52,0	31,3	66,2	3 900	38,9	70,0	3 100	45,2	72,3	2 100	52,0
54,0	26,1	62,6	3 600	34,7	67,3	2 800	41,6	70,2	1 900	54,0
56,0	19,7	57,8	3 400	30,1	64,2	2 600	37,6	67,7	1 600	56,0
58,0				24,6	60,3	2 300	33,3	64,9	1 400	58,0
60,0				17,6	55,1	2 100				60,0

MLC165-1 S-1

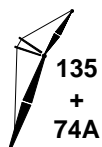
ASME B30.5



m	87°			83°			80°			m
	m	m	kg	m	m	kg	m	m	kg	
18,3	73,3	90,7	15 500							18,3
20,0	71,2	90,1	15 000							20,0
22,0	68,7	89,4	14 500							22,0
24,0	66,2	88,6	14 000							24,0
26,0	63,6	87,6	13 400	67,3	88,7	14 100				26,0
28,0	60,9	86,6	12 800	64,8	87,8	12 800				28,0
30,0	58,2	85,4	12 100	62,2	86,8	11 600	65,0	87,5	10 700	30,0
32,0	55,4	84,1	11 500	59,5	85,7	10 600	62,4	86,5	9 800	32,0
34,0	52,5	82,6	10 800	56,7	84,4	9 800	59,7	85,4	9 000	34,0
36,0	49,5	81,0	10 000	53,8	83,0	9 000	56,9	84,2	8 300	36,0
38,0	46,3	79,2	9 200	50,9	81,5	8 300	54,1	82,8	7 600	38,0
40,0	42,9	77,2	8 600	47,8	79,8	7 700	51,1	81,3	7 000	40,0
42,0	39,4	74,9	8 000	44,5	77,8	7 200	48,0	79,5	6 500	42,0
44,0	35,5	72,3	7 400	41,0	75,7	6 700	44,8	77,6	6 100	44,0
46,0	31,2	69,2	6 900	37,3	73,2	6 200	41,3	75,5	5 600	46,0
48,0	26,4	65,6	6 500	33,3	70,4	5 800	37,7	73,1	5 300	48,0
50,0	20,4	61,0	6 100	28,7	67,1	5 400	33,6	70,3	4 900	50,0
52,0				23,3	63,0	5 000	29,1	67,0	4 600	52,0
54,0				16,4	57,4	4 700	23,8	63,0	4 300	54,0
56,0							17,1	57,6	4 000	56,0
58,0										58,0
60,0										60,0
62,0										62,0
64,0										64,0

MLC165-1 S-1

ASME B30.5



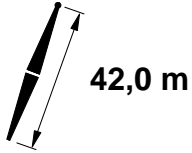
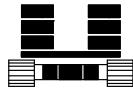
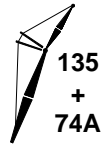
46 000 kg
+
0 kg



m	75°			70°			m
	m	m	kg	m	m	kg	
18,3							18,3
20,0							20,0
22,0							22,0
24,0							24,0
26,0							26,0
28,0							28,0
30,0							30,0
32,0							32,0
34,0							34,0
36,0							36,0
38,0	59,1	84,3	6 500				38,0
40,0	56,3	83,0	6 000				40,0
42,0	53,4	81,6	5 500				42,0
44,0	50,5	80,0	5 100	55,6	81,5	4 100	44,0
46,0	47,3	78,3	4 700	52,7	80,1	3 700	46,0
48,0	44,1	76,3	4 400	49,7	78,4	3 400	48,0
50,0	40,6	74,2	4 100	46,5	76,7	3 100	50,0
52,0	36,8	71,7	3 800	43,2	74,6	2 800	52,0
54,0	32,7	68,8	3 500	39,6	72,4	2 600	54,0
56,0	28,0	65,4	3 200	35,8	69,8	2 300	56,0
58,0	22,5	61,1	3 000	31,5	66,8	2 100	58,0
60,0	15,3	55,3	2 800	26,7	63,2	1 900	60,0
62,0				20,9	58,6	1 700	62,0
64,0				12,7	52,0	1 500	64,0

MLC165-1 S-1

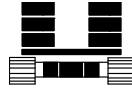
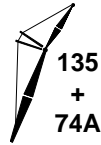
ASME B30.5



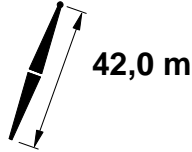
m	87°			83°			80°			m
	m	m	kg	m	m	kg	m	m	kg	
18,3	74,3	93,8	14 100							18,3
20,0	72,4	93,3	13 700							20,0
22,0	70,0	92,7	13 300							22,0
24,0	67,7	91,9	12 900							24,0
26,0	65,2	91,0	12 400	68,7	91,9	13 700				26,0
28,0	62,8	90,0	11 900	66,4	91,1	12 700				28,0
30,0	60,3	88,9	11 400	63,9	90,2	11 500	66,6	90,8	10 600	30,0
32,0	57,7	87,7	10 800	61,4	89,2	10 500	64,1	89,9	9 700	32,0
34,0	55,0	86,4	10 300	58,9	88,0	9 700	61,6	88,9	8 900	34,0
36,0	52,3	84,9	9 800	56,3	86,7	8 900	59,1	87,7	8 100	36,0
38,0	49,4	83,3	9 100	53,6	85,3	8 200	56,5	86,5	7 500	38,0
40,0	46,5	81,5	8 500	50,8	83,8	7 600	53,8	85,1	6 900	40,0
42,0	43,3	79,5	7 900	47,8	82,1	7 100	51,0	83,6	6 400	42,0
44,0	40,0	77,3	7 400	44,8	80,1	6 600	48,1	81,8	6 000	44,0
46,0	36,4	74,7	6 900	41,5	78,0	6 100	45,0	80,0	5 500	46,0
48,0	32,5	71,8	6 400	38,1	75,6	5 700	41,8	77,8	5 200	48,0
50,0	28,1	68,4	6 000	34,3	72,9	5 300	38,4	75,5	4 800	50,0
52,0	23,0	64,2	5 500	30,2	69,7	5 000	34,7	72,8	4 500	52,0
54,0	16,4	58,6	5 000	25,5	65,9	4 600	30,6	69,6	4 200	54,0
56,0				19,7	61,1	4 300	25,9	65,9	3 900	56,0
58,0							20,3	61,2	3 600	58,0
60,0							12,4	54,4	3 400	60,0
62,0										62,0
64,0										64,0

MLC165-1 S-1

ASME B30.5



46 000 kg
+
0 kg



m	75°			70°			m
	m	m	kg	m	m	kg	
18,3							18,3
20,0							20,0
22,0							22,0
24,0							24,0
26,0							26,0
28,0							28,0
30,0							30,0
32,0							32,0
34,0							34,0
36,0							36,0
38,0	61,1	87,8	6 400				38,0
40,0	58,5	86,6	5 900				40,0
42,0	55,9	85,3	5 400				42,0
44,0	53,2	83,9	5 000				44,0
46,0	50,4	82,3	4 600	55,2	83,8	3 600	46,0
48,0	47,4	80,6	4 300	52,5	82,4	3 200	48,0
50,0	44,4	78,7	4 000	49,6	80,7	2 900	50,0
52,0	41,1	76,5	3 700	46,6	79,0	2 700	52,0
54,0	37,6	74,1	3 400	43,5	77,0	2 400	54,0
56,0	33,8	71,3	3 100	40,2	74,7	2 200	56,0
58,0	29,6	68,0	2 900	36,7	72,2	2 000	58,0
60,0	24,8	64,1	2 600	32,8	69,3	1 700	60,0
62,0	18,8	59,1	2 400	28,4	65,9	1 600	62,0
64,0	9,9	51,3	2 200	23,4	61,8	1 400	64,0