


Liftcrane Boom Extended Upper Point Capacities

MLC300 SERIES 3

Boom No. B45:505-500
with 23.0 ft Extended Upper Boom Point
474,400 lb VPC (Variable Position Counterweight)
360 Degree Rating


 **LIFTING CAPACITIES:** Lifting capacities for various boom lengths and operating radii are for freely suspended loads and may be based on percent of static tipping or strength of structural components. Capacities must be reduced by applicable deducts.


Upper boom point (upper sheave) capacity for liftcrane service with single part whip line from Drum 6 is 30,000 lb. When Drum 2 or Drum 3 is used, capacity with single part whip line is 36,700 lb. In all cases, upper boom point capacities cannot exceed those listed for extended upper boom point (lower sheave) capacity.


Weight of all load blocks, hooks, weight ball, slings, hoist lines, etc., beneath sheaves is considered part of load. Boom is not to be lowered beyond radii where combined weights are greater than rated capacity. Where no capacity is shown, operation is not intended or approved.

OPERATING CONDITIONS: Machine to operate on a firm, level, and uniformly supporting surface. Refer to Boom Rigging **No. 84049567**, Wire Rope Specifications chart **No. 9647-A**, Counterweight Arrangements chart **No. 9345-A**, and Wind Conditions chart **No. 9646-A**. Crane operator judgment must be used to allow for dynamic load effects of swinging, hoisting or lowering, travel, wind conditions, as well as adverse operating conditions and physical machine depreciation. Refer to the Operator Manual for operating guidelines.

MACHINE TRAVEL: Machine to travel on a firm, level, and uniformly supporting surface. Boom must be within boom angle range shown in capacity chart. Refer to Maximum Allowable Travel Specifications chart **No. 9645-A**.

 **EXTENDED UPPER BOOM POINT OPERATING RADIUS:** Extended upper boom point operating radius is horizontal distance from axis of rotation to center of vertical hoist line or load block.

 **BOOM ANGLE:** Boom angle in degrees (°) is angle between horizontal and centerline of boom butt and inserts, and is an indication of operating radius. In all cases, operating radius shall govern capacity.

 **EXTENDED UPPER BOOM POINT ELEVATION:** Extended upper boom point elevation is vertical distance from ground level to centerline of extended upper boom point shaft.

MACHINE EQUIPMENT: Machine equipped with 31 ft 10 in. crawlers, 48 in. or 60 in. treads, 30 ft live mast, 24 part boom hoist reeving, boom support straps, and 474,400 lb VPC.

Luffing Jib Backstay Deduct	
Boom Length (ft)	Deduct (lb)
114.8	3,100
124.7	3,400
134.5	3,700
144.4	4,000
154.2	4,300
164.0	4,600
173.9	4,800
183.7	5,100
193.6	5,400
203.4	5,700
213.3	6,000
223.1	6,300
232.9	6,600
242.8	7,000
252.6	7,100

Deduct the appropriate value from capacities when luffing jib backstays are stored on boom.

Refer to Table 1 (with luffing jib backstays stored) and Table 2 (without luffing jib backstays stored) for raising ability with the maximum weight of all load blocks, hooks, weight ball, slings, and hoist lines beneath extended upper boom point (lower or upper sheaves). For block weights shown with #, load blocks, hooks, weight ball, and slings must remain on ground until combined weights are within rated capacity of chart. Raising is not permitted in shaded areas of table.

Combined weight beneath extended upper boom point (lower or upper sheaves) must not exceed block weight shown.

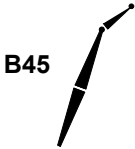


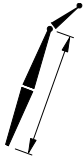




Table 1: With Luffing Jib Backstays

Over End or Side of Crawlers	
Boom Length (ft)	Block Weight (lb)
114.8	7,600
124.7	7,600
134.5	7,600
144.4	7,600
154.2	7,600
164.0	7,600
173.9	7,600
183.7	7,600
193.6	7,600
203.4	7,600
213.3	7,600
223.1	7,600
232.9	7,600
242.8	7,600
252.6	#
262.5	Raising Not Permitted
272.3	
282.2	
292.0	

Table 2: Without Luffing Jib Backstays

Over End or Side of Crawlers	
Boom Length (ft)	Block Weight (lb)
114.8	7,600
124.7	7,600
134.5	7,600
144.4	7,600
154.2	7,600
164.0	7,600
173.9	7,600
183.7	7,600
193.6	7,600
203.4	7,600
213.3	7,600
223.1	7,600
232.9	7,600
242.8	7,600
252.6	7,600
262.5	#
272.3	#
282.2	#
292.0	#

Explanation of Symbols

-  Boom No. B45:505-500
-  VPC (Variable Position Counterweight)
-  360 Degree Rating
-  Boom Length
-  Extended Upper Boom Point Operating Radius
(see page 1)
-  Boom Angle
(see page 1)
-  Extended Upper Boom Point Elevation
(see page 1)
-  Lifting Capacities
(see page 1)

REFERENCE ONLY!

MLC300 S-3

ASME B30.5



474,400 lb



114.8 ft

ft	°	ft	ft	ft	ft	lb
36	82.7	139.5				191,100
37	82.2	139.2				190,300
38	81.8	139.0				189,500
39	81.4	138.7				188,800
40	80.9	138.5				188,000
45	78.7	137.1				184,500
50	76.5	135.4				181,200
55	74.3	133.5				178,200
60	72.0	131.4				175,400
65	69.7	129.1				172,900
70	67.3	126.5				170,700
75	64.9	123.7				164,000
80	62.4	120.5				151,600
85	59.8	117.0				141,000
90	57.1	113.2				131,600
95	54.4	109.0				123,400
100	51.5	104.4				116,200
105	48.5	99.2				109,700
110	45.3	93.5				103,800
115	41.8	87.0				98,500
120	38.1	79.6				93,700

124.7 ft

ft	°	ft	ft	ft	ft	lb
37	82.8	149.3				199,400
38	82.4	149.1				198,800
39	82.0	148.8				198,200
40	81.6	148.6				197,500
41	81.2	148.3				197,000
45	79.5	147.3				194,700
50	77.5	145.7				192,000
55	75.4	144.0				189,600
60	73.3	142.1				187,300
65	71.1	139.9				185,300
70	69.0	137.6				179,400
75	66.7	135.0				164,900
80	64.5	132.1				152,500
85	62.2	128.9				141,800
90	59.8	125.5				132,400
95	57.3	121.8				124,200
100	54.8	117.6				116,900
105	52.1	113.1				110,400
110	49.4	108.2				104,500
115	46.4	102.7				99,200
120	43.3	96.6				94,400
125	40.0	89.8				90,000
130	36.4	82.0				86,000

134.5 ft

ft	°	ft	ft	ft	ft	lb
38	82.9	159.1				207,500
39	82.5	158.9				207,100
40	82.1	158.7				206,600
41	81.7	158.4				206,200
42	81.3	158.2				205,700
45	80.2	157.4				204,500
50	78.3	156.0				202,500
55	76.4	154.4				200,700
60	74.4	152.6				199,000
65	72.4	150.6				196,400
70	70.4	148.4				180,100
75	68.4	146.0				165,500
80	66.3	143.4				153,100
85	64.2	140.5				142,400
90	62.0	137.4				133,000
95	59.8	134.0				124,700
100	57.5	130.3				117,400
105	55.1	126.3				110,900
110	52.6	121.9				105,000
115	50.1	117.1				99,700
120	47.4	111.8				94,900
125	44.6	106.1				90,500
130	41.6	99.7				86,400
135	38.4	92.5				82,700

MLC300 S-3

ASME B30.5



144.4 ft

ft	°	ft	lb
39	82.9	168.9	215,300
40	82.6	168.7	215,000
41	82.2	168.5	214,700
42	81.9	168.3	214,400
43	81.5	168.0	214,100
45	80.8	167.6	213,600
50	79.0	166.2	212,200
55	77.2	164.7	210,300
60	75.4	163.1	204,600
65	73.5	161.2	198,300
70	71.7	159.2	181,000
75	69.8	156.9	166,400
80	67.8	154.5	153,900
85	65.9	151.8	143,100
90	63.9	148.9	133,700
95	61.8	145.8	125,400
100	59.7	142.5	118,100
105	57.6	138.8	111,500
110	55.4	134.8	105,600
115	53.1	130.6	100,300
120	50.7	125.9	95,400
125	48.3	120.9	91,000
130	45.7	115.3	87,000
135	43.0	109.3	83,300
140	40.1	102.6	79,800
145	36.9	95.1	76,600

154.2 ft

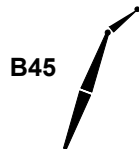
ft	°	ft	lb
41	82.7	178.5	220,500
42	82.3	178.3	220,500
43	82.0	178.1	220,500
44	81.7	177.9	220,500
45	81.3	177.7	220,500
50	79.7	176.4	218,900
55	78.0	175.0	212,800
60	76.2	173.4	207,200
65	74.5	171.7	199,100
70	72.8	169.8	181,700
75	71.0	167.7	167,000
80	69.2	165.4	154,500
85	67.4	162.9	143,700
90	65.5	160.3	134,300
95	63.6	157.4	125,900
100	61.7	154.3	118,600
105	59.7	150.9	112,000
110	57.7	147.3	106,100
115	55.6	143.4	100,700
120	53.5	139.2	95,900
125	51.3	134.7	91,400
130	49.0	129.8	87,400
135	46.6	124.5	83,700
140	44.1	118.7	80,200
145	41.5	112.4	77,000
150	38.7	105.4	74,100
155	35.6	97.5	71,300

164.0 ft

ft	°	ft	lb
42	82.8	188.4	220,500
43	82.4	188.1	220,500
44	82.1	187.9	220,500
45	81.8	187.7	220,500
46	81.5	187.5	220,500
50	80.2	186.5	220,500
55	78.6	185.2	215,000
60	77.0	183.7	209,600
65	75.4	182.1	200,000
70	73.7	180.3	182,600
75	72.1	178.3	167,900
80	70.4	176.2	155,300
85	68.7	173.9	144,400
90	66.9	171.4	134,900
95	65.2	168.7	126,600
100	63.4	165.8	119,200
105	61.6	162.7	112,600
110	59.7	159.4	106,600
115	57.8	155.8	101,300
120	55.9	152.0	96,400
125	53.8	147.9	92,000
130	51.8	143.5	87,900
135	49.6	138.7	84,100
140	47.4	133.6	80,700
145	45.1	128.0	77,500
150	42.7	122.0	74,500
155	40.1	115.3	71,800
160	37.4	108.0	67,900

MLC300 S-3

ASME B30.5



474,400 lb



173.9 ft

ft	°	ft	lb
43	82.8	198.2	220,500
44	82.5	198.0	220,500
45	82.2	197.8	220,500
46	81.9	197.5	220,500
47	81.6	197.3	220,500
50	80.7	196.6	220,500
55	79.2	195.4	217,000
60	77.7	194.0	211,700
65	76.1	192.4	200,700
70	74.6	190.7	183,200
75	73.0	188.9	168,400
80	71.4	186.9	155,800
85	69.8	184.7	144,900
90	68.2	182.4	135,400
95	66.6	179.9	127,000
100	64.9	177.2	119,600
105	63.2	174.3	113,000
110	61.5	171.2	107,000
115	59.7	167.9	101,700
120	57.9	164.3	96,800
125	56.0	160.6	92,300
130	54.2	156.5	88,200
135	52.2	152.2	84,500
140	50.2	147.5	81,000
145	48.1	142.5	77,800
150	46.0	137.2	74,800
155	43.7	131.4	71,400
160	41.3	125.1	67,600
165	38.8	118.2	64,000
170	36.2	110.6	60,600

183.7 ft

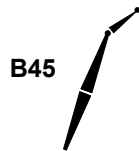
ft	°	ft	lb
44	82.9	208.0	220,500
45	82.6	207.8	220,500
46	82.3	207.6	220,500
47	82.0	207.4	220,500
48	81.8	207.2	220,500
50	81.2	206.7	220,500
55	79.7	205.5	218,800
60	78.3	204.2	213,600
65	76.8	202.7	201,600
70	75.4	201.1	184,000
75	73.9	199.4	169,200
80	72.4	197.5	156,600
85	70.9	195.4	145,600
90	69.3	193.2	136,100
95	67.8	190.9	127,700
100	66.2	188.3	120,200
105	64.6	185.6	113,600
110	63.0	182.7	107,600
115	61.4	179.6	102,200
120	59.7	176.3	97,300
125	58.0	172.8	92,800
130	56.2	169.1	88,700
135	54.4	165.1	84,900
140	52.6	160.9	81,400
145	50.7	156.3	78,000
150	48.8	151.5	73,800
155	46.7	146.3	69,800
160	44.6	140.7	66,100
165	42.4	134.6	62,600
170	40.1	128.1	59,200
175	37.7	121.0	56,000
180	35.1	113.1	52,900

193.6 ft

ft	°	ft	lb
45	83.0	217.8	220,500
46	82.7	217.6	220,500
47	82.4	217.4	220,500
48	82.1	217.2	220,500
49	81.9	217.0	220,500
50	81.6	216.8	220,500
55	80.2	215.6	220,400
60	78.8	214.4	215,600
65	77.5	213.0	202,200
70	76.1	211.5	184,600
75	74.7	209.8	169,700
80	73.2	208.0	157,000
85	71.8	206.1	146,100
90	70.4	204.0	136,500
95	68.9	201.7	128,100
100	67.4	199.4	120,600
105	65.9	196.8	113,900
110	64.4	194.1	107,900
115	62.8	191.2	102,500
120	61.3	188.1	97,600
125	59.7	184.8	93,100
130	58.0	181.3	89,000
135	56.4	177.6	85,200
140	54.7	173.7	81,800
145	52.9	169.5	77,300
150	51.2	165.1	73,100
155	49.3	160.3	69,200
160	47.4	155.3	65,500
165	45.4	149.9	62,100
170	43.4	144.1	58,800
175	41.3	137.8	55,600
180	39.0	131.0	52,600
185	36.6	123.6	49,700

MLC300 S-3

ASME B30.5



203.4 ft

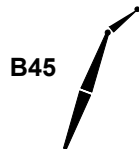
ft	°	ft	lb
47	82.7	227.4	220,500
48	82.5	227.2	220,500
49	82.2	227.0	220,500
50	82.0	226.8	220,500
51	81.7	226.6	220,500
55	80.7	225.7	220,400
60	79.3	224.5	217,300
65	78.0	223.2	203,200
70	76.7	221.7	185,400
75	75.4	220.2	170,500
80	74.0	218.5	157,800
85	72.6	216.6	146,800
90	71.3	214.6	137,200
95	69.9	212.5	128,700
100	68.5	210.3	121,200
105	67.1	207.8	114,500
110	65.6	205.3	108,500
115	64.2	202.5	103,000
120	62.7	199.6	98,100
125	61.2	196.6	93,600
130	59.7	193.3	89,400
135	58.1	189.8	84,800
140	56.5	186.2	80,000
145	54.9	182.3	75,600
150	53.3	178.2	71,400
155	51.6	173.8	67,500
160	49.8	169.2	63,900
165	48.0	164.2	60,400
170	46.2	159.0	57,200
175	44.2	153.4	54,100
180	42.2	147.3	51,100
185	40.2	140.9	48,300
190	38.0	133.8	45,600
195	35.6	126.2	43,000

213.3 ft

ft	°	ft	lb
48	82.8	237.2	220,500
49	82.6	237.0	220,500
50	82.3	236.8	220,500
51	82.1	236.6	220,500
52	81.8	236.4	220,500
55	81.1	235.8	220,400
60	79.8	234.6	218,800
65	78.5	233.4	203,800
70	77.3	232.0	186,000
75	76.0	230.5	171,000
80	74.7	228.9	158,300
85	73.4	227.1	147,200
90	72.1	225.2	137,600
95	70.8	223.2	129,100
100	69.4	221.1	121,600
105	68.1	218.8	114,900
110	66.7	216.3	108,800
115	65.4	213.7	103,400
120	64.0	211.0	98,400
125	62.6	208.1	93,900
130	61.1	205.0	89,100
135	59.7	201.8	84,000
140	58.2	198.3	79,300
145	56.7	194.7	74,800
150	55.1	190.9	70,700
155	53.5	186.8	66,900
160	51.9	182.5	63,200
165	50.3	178.0	59,800
170	48.6	173.1	56,600
175	46.8	168.0	53,500
180	45.0	162.6	50,600
185	43.1	156.7	47,800
190	41.2	150.5	45,200
195	39.1	143.8	42,600
200	37.0	136.6	40,200

223.1 ft

ft	°	ft	lb
49	82.9	247.0	220,500
50	82.6	246.8	220,500
51	82.4	246.6	220,500
52	82.1	246.5	220,500
53	81.9	246.3	220,500
55	81.4	245.8	220,400
60	80.2	244.7	220,200
65	79.0	243.5	204,700
70	77.8	242.2	186,800
75	76.6	240.8	171,800
80	75.3	239.2	159,000
85	74.1	237.5	147,900
90	72.9	235.7	138,200
95	71.6	233.8	129,700
100	70.3	231.8	122,100
105	69.1	229.6	115,400
110	67.8	227.3	109,300
115	66.4	224.8	103,800
120	65.1	222.2	98,700
125	63.8	219.5	92,800
130	62.4	216.6	87,300
135	61.0	213.5	82,200
140	59.6	210.3	77,400
145	58.2	206.8	73,000
150	56.8	203.2	68,900
155	55.3	199.4	65,100
160	53.8	195.4	61,500
165	52.3	191.2	58,100
170	50.7	186.7	54,800
175	49.1	182.0	51,800
180	47.4	177.0	48,900
185	45.7	171.7	46,200
190	43.9	166.1	43,600
195	42.1	160.0	41,100
200	40.2	153.6	38,700
205	38.2	146.7	36,400
210	36.1	139.3	34,200



474,400 lb



232.9 ft

	ft	°	ft	lb
50	82.9		256.8	220,500
51	82.7		256.6	220,500
52	82.5		256.5	220,500
53	82.2		256.3	220,500
54	82.0		256.1	220,400
55	81.8		255.9	220,300
60	80.6		254.8	220,200
65	79.5		253.7	204,100
70	78.3		252.4	186,200
75	77.1		251.0	171,200
80	75.9		249.5	158,300
85	74.8		247.9	147,200
90	73.6		246.2	137,500
95	72.4		244.4	129,000
100	71.1		242.4	121,400
105	69.9		240.3	114,700
110	68.7		238.1	108,600
115	67.4		235.8	103,100
120	66.2		233.3	98,100
125	64.9		230.7	92,300
130	63.6		227.9	86,800
135	62.3		225.0	81,700
140	61.0		222.0	77,000
145	59.6		218.7	72,600
150	58.3		215.3	68,500
155	56.9		211.8	64,700
160	55.5		208.0	61,100
165	54.0		204.0	57,700
170	52.6		199.9	54,500
175	51.1		195.5	51,500
180	49.5		190.8	48,600
185	47.9		185.9	45,900
190	46.3		180.8	43,300
195	44.6		175.3	40,900
200	42.9		169.4	38,500
205	41.1		163.2	36,200
210	39.2		156.6	34,100
215	37.3		149.5	32,000
220	35.2		141.8	30,000

242.8 ft

	ft	°	ft	lb
51	83.0		266.6	220,500
52	82.7		266.5	220,500
53	82.5		266.3	220,500
54	82.3		266.1	220,400
55	82.1		265.9	220,300
60	81.0		264.9	220,200
65	79.9		263.8	205,000
70	78.7		262.5	187,100
75	77.6		261.2	171,900
80	76.5		259.8	159,000
85	75.3		258.2	147,900
90	74.2		256.6	138,200
95	73.0		254.8	129,600
100	71.9		253.0	122,000
105	70.7		251.0	115,200
110	69.5		248.9	109,100
115	68.3		246.6	102,800
120	67.1		244.3	96,400
125	65.9		241.8	90,400
130	64.7		239.1	84,900
135	63.5		236.4	79,900
140	62.2		233.5	75,200
145	60.9		230.4	70,800
150	59.6		227.2	66,700
155	58.3		223.8	62,900
160	57.0		220.3	59,300
165	55.6		216.6	55,900
170	54.3		212.6	52,700
175	52.8		208.5	49,700
180	51.4		204.2	46,900
185	49.9		199.6	44,200
190	48.4		194.8	41,600
195	46.9		189.8	39,200
200	45.3		184.4	36,800
205	43.6		178.8	34,600
210	41.9		172.8	32,400
215	40.2		166.4	30,400
220	38.3		159.5	28,400
225	36.4		152.2	26,500

252.6 ft

	ft	°	ft	lb
53	82.8		276.3	220,500
54	82.6		276.1	220,400
55	82.4		275.9	220,300
56	82.2		275.7	219,900
57	81.9		275.5	219,500
60	81.3		274.9	218,000
65	80.2		273.8	205,600
70	79.2		272.7	187,600
75	78.1		271.4	172,500
80	77.0		270.0	159,500
85	75.9		268.5	148,400
90	74.8		267.0	138,600
95	73.7		265.3	130,000
100	72.6		263.5	122,400
105	71.5		261.6	115,600
110	70.3		259.5	109,000
115	69.2		257.4	102,000
120	68.0		255.1	95,500
125	66.9		252.8	89,600
130	65.7		250.3	84,100
135	64.5		247.6	79,100
140	63.3		244.8	74,400
145	62.1		241.9	70,000
150	60.9		238.9	65,900
155	59.6		235.7	62,100
160	58.4		232.3	58,500
165	57.1		228.8	55,200
170	55.8		225.1	52,000
175	54.5		221.2	49,000
180	53.1		217.2	46,200
185	51.7		212.9	43,500
190	50.3		208.4	40,900
195	48.9		203.7	38,500
200	47.4		198.7	36,200
205	45.9		193.5	34,000
210	44.3		188.0	31,900
215	42.7		182.2	29,800
220	41.0		176.0	27,900
225	39.3		169.4	26,000
230	37.5		162.4	24,200
235	35.6		154.9	22,400

MLC300 S-3

ASME B30.5



262.5 ft

ft	°	ft	lb
54	82.8	286.1	215,700
55	82.6	285.9	215,200
56	82.4	285.7	214,700
57	82.2	285.5	214,300
58	82.0	285.3	213,800
60	81.6	284.9	212,900
65	80.6	283.9	206,800
70	79.5	282.8	188,700
75	78.5	281.6	173,500
80	77.5	280.2	160,400
85	76.4	278.8	149,200
90	75.3	277.3	139,400
95	74.3	275.7	130,800
100	73.2	273.9	121,800
105	72.1	272.1	113,300
110	71.0	270.2	105,600
115	70.0	268.1	98,600
120	68.8	265.9	92,200
125	67.7	263.7	86,300
130	66.6	261.3	80,800
135	65.5	258.7	75,800
140	64.3	256.1	71,200
145	63.2	253.3	66,800
150	62.0	250.4	62,800
155	60.8	247.4	59,000
160	59.6	244.2	55,500
165	58.4	240.8	52,100
170	57.2	237.3	49,000
175	55.9	233.6	46,000
180	54.6	229.8	43,200
185	53.3	225.8	40,600
190	52.0	221.6	38,100
195	50.7	217.1	35,700
200	49.3	212.5	33,400
205	47.9	207.6	31,200
210	46.4	202.5	29,100
215	44.9	197.1	27,100
220	43.4	191.5	25,200
225	41.8	185.5	23,300
230	40.2	179.1	21,600
235	38.5	172.4	19,900
240	36.7	165.2	18,200

272.3 ft

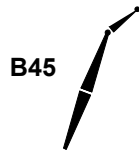
ft	°	ft	lb
55	82.9	295.9	209,700
56	82.7	295.7	209,300
57	82.5	295.5	208,800
58	82.3	295.3	208,500
59	82.1	295.2	208,000
60	81.9	295.0	207,600
65	80.9	294.0	205,300
70	79.9	292.9	188,800
75	78.9	291.7	173,500
80	77.9	290.4	160,500
85	76.9	289.0	149,300
90	75.9	287.6	139,500
95	74.8	286.0	130,900
100	73.8	284.3	122,800
105	72.8	282.6	114,300
110	71.7	280.7	106,600
115	70.7	278.7	99,600
120	69.6	276.7	93,200
125	68.5	274.5	87,300
130	67.5	272.2	81,900
135	66.4	269.8	76,800
140	65.3	267.2	72,200
145	64.2	264.6	67,900
150	63.1	261.8	63,800
155	61.9	258.9	60,100
160	60.8	255.8	56,500
165	59.6	252.6	53,200
170	58.4	249.3	50,100
175	57.3	245.8	47,100
180	56.0	242.2	44,300
185	54.8	238.4	41,700
190	53.6	234.4	39,200
195	52.3	230.2	36,800
200	51.0	225.9	34,500
205	49.7	221.3	32,300
210	48.3	216.5	30,300
215	46.9	211.5	28,300
220	45.5	206.2	26,400
225	44.1	200.7	24,600
230	42.6	194.9	22,800
235	41.0	188.7	21,100
240	39.4	182.2	19,500
245	37.7	175.3	17,900
250	36.0	167.9	16,400

282.2 ft

ft	°	ft	lb
56	82.9	305.7	196,200
57	82.7	305.5	195,500
58	82.5	305.3	194,800
59	82.4	305.1	194,100
60	82.2	305.0	193,500
65	81.2	304.0	190,200
70	80.2	302.9	187,200
75	79.3	301.8	174,300
80	78.3	300.6	161,300
85	77.3	299.2	150,000
90	76.3	297.8	140,100
95	75.3	296.3	130,700
100	74.3	294.7	121,200
105	73.3	293.0	112,700
110	72.3	291.2	105,000
115	71.3	289.3	97,900
120	70.3	287.3	91,500
125	69.3	285.2	85,600
130	68.2	283.0	80,200
135	67.2	280.7	75,200
140	66.2	278.2	70,500
145	65.1	275.7	66,200
150	64.0	273.0	62,100
155	62.9	270.2	58,300
160	61.8	267.3	54,800
165	60.7	264.3	51,500
170	59.6	261.1	48,400
175	58.5	257.8	45,400
180	57.3	254.3	42,600
185	56.2	250.7	40,000
190	55.0	246.9	37,500
195	53.8	243.0	35,100
200	52.5	238.9	32,800
205	51.3	234.6	30,600
210	50.0	230.1	28,600
215	48.7	225.4	26,600
220	47.4	220.4	24,700
225	46.0	215.3	22,900
230	44.6	209.9	21,100
235	43.2	204.2	19,500
240	41.7	198.2	17,800
245	40.2	191.9	16,300
250	38.6	185.2	14,800
255	37.0	178.1	13,300
260	35.3	170.5	11,900

MLC300 S-3

ASME B30.5



474,400 lb



ft	°	ft	lb
57	83.0	315.5	183,600
58	82.8	315.3	182,800
59	82.6	315.1	182,100
60	82.4	315.0	181,300
61	82.2	314.8	180,500
65	81.5	314.0	177,800
70	80.5	313.0	173,500
75	79.6	311.9	165,300
80	78.7	310.7	158,200
85	77.7	309.4	150,400
90	76.8	308.1	140,500
95	75.8	306.6	130,000
100	74.9	305.1	120,600
105	73.9	303.4	112,000
110	72.9	301.7	104,300
115	71.9	299.8	97,300
120	71.0	297.9	90,800
125	70.0	295.9	84,900
130	69.0	293.8	79,500
135	68.0	291.5	74,500
140	67.0	289.2	69,800
145	65.9	286.7	65,500
150	64.9	284.2	61,400
155	63.9	281.5	57,700
160	62.8	278.7	54,100
165	61.8	275.8	50,800
170	60.7	272.8	47,700
175	59.6	269.6	44,700
180	58.5	266.3	41,900
185	57.4	262.8	39,300
190	56.3	259.2	36,800
195	55.1	255.5	34,400
200	54.0	251.6	32,200
205	52.8	247.5	30,000
210	51.6	243.3	27,900
215	50.4	238.8	26,000
220	49.1	234.2	24,100
225	47.8	229.4	22,300
230	46.5	224.3	20,500
235	45.2	219.0	18,900
240	43.8	213.4	17,300
245	42.4	207.6	15,700
250	41.0	201.4	14,200
255	39.5	195.0	12,800
260	37.9	188.1	11,400
265	36.3	180.9	10,000

REFERENCE ONLY!