

Clamshell/Grapple Capacities

Boom No. B10:76A
114,600 lb Crane Counterweight
0 lb Carbody Counterweight
Crawler Machine on a Barge
0 Degree thru 1 Degree and
1 Degree thru 3 Degree Static Machine List
No Travel - 360 Degree Rating

MLC200 SERIES 1



LIFTING CAPACITIES: Lifting capacities are for a crawler machine when operating on a barge. Machine shall be positively secured to prevent shifting. Lifting capacities for various boom lengths and operating radii are for freely suspended loads and may be based on percent of static tipping or strength of structural components. Capacities must be reduced by applicable deducts.

Weight of bucket is considered part of load. Where no capacity is shown, operation is not intended or approved.

Clamshell/grapple capacities shown are intended for limited duration applications. Continuous operation at these capacities may reduce component life.

OPERATING CONDITIONS: Machine to operate on a firm and uniformly supporting surface with machine list not to exceed degrees noted. Refer to Boom Rigging No. 80149429, Wire Rope Specifications chart No. A018-B, and Counterweight Arrangements chart No. A004-A. Crane operator judgment must be used to allow for dynamic load effects of swinging, hoisting or lowering, wind conditions, as well as adverse operating conditions and physical machine depreciation. Refer to the Operator Manual for operating guidelines.

WIND CONDITIONS: Machine may be operated in winds up to 35 mph provided crane operator judgment is used to allow for wind effect on lifted load and other considerations noted on capacity chart are followed. Wind speed to be measured at boom point elevation. **Operation is not permitted when wind is above 35 mph.** Park crane with bucket on ground or secured and position boom at 50 degrees. Lower boom onto blocking at ground level when wind is above 50 mph.



OPERATING RADIUS: Operating radius is horizontal distance from axis of rotation at barge deck to center of gravity of freely suspended load.

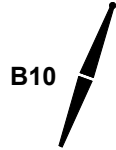


BOOM ANGLE: Boom angle in degrees (°) is angle between horizontal and centerline of boom butt and inserts, and is an indication of operating radius. In all cases, operating radius shall govern capacity.

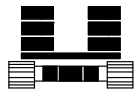
MACHINE EQUIPMENT: Machine equipped with 27 ft 2 in. crawlers, 48 in. treads, 10 ft 3 in. retractable gantry, 27 ft live mast, 20 part boom hoist reeving, and boom support straps.

Raising Ability Over End or Side of Crawlers			
Boom Length (ft)	Maximum Number of Lower Boom Point Sheaves	Machine List	
		0° - 1°	1° - 3°
		Bucket Weight (lb)	
65.6 - 134.5	7	8,000	8,000
Bucket weight includes the weight of all blocks, hooks, bucket, weight ball, slings and hoist lines beneath boom point sheaves.			

Explanation of Symbols



Boom No. B10:76A



Crane Counterweight
+
Carbody Counterweight



360 Degree Rating



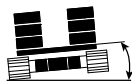
Boom Length



Operating Radius
(see page 1)



Boom Angle
(see page 1)

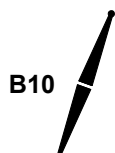


Machine List



Lifting Capacities
(see page 1)

MLC200 S-1



114,600 lb
+
0 lb

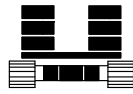
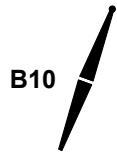


65.6 ft			
ft	o	lb	lb
45	55.7	26,000	26,000
50	50.1	26,000	26,000
55	43.9	26,000	26,000
60	36.9	26,000	26,000
65	28.3	26,000	24,600

75.5 ft			
ft	o	lb	lb
40	65.1	26,000	
45	60.8	26,000	26,000
50	56.2	26,000	26,000
55	51.4	26,000	26,000
60	46.2	26,000	26,000
65	40.5	26,000	24,600
70	34.0	24,900	22,400
75	26.0	23,100	20,600

REFERENCE ONLY

MLC200 S-1



114,600 lb
+
0 lb

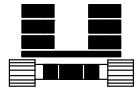


85.3 ft			
ft	o	lb	lb
		0° - 1°	1° - 3°
40	68.2	26,000	
45	64.4	26,000	26,000
50	60.6	26,000	26,000
55	56.6	26,000	26,000
60	52.4	26,000	26,000
65	47.9	26,000	24,600
70	43.1	24,900	22,500
75	37.7	23,100	20,600
80	31.6	21,600	19,000

95.1 ft			
ft	o	lb	lb
		0° - 1°	1° - 3°
45	67.3	26,000	26,000
50	63.9	26,000	26,000
55	60.5	26,000	26,000
60	56.9	26,000	26,000
65	53.2	26,000	24,500
70	49.2	24,900	22,400
75	45.0	23,100	20,600
80	40.5	21,500	19,000
85	35.4	19,200	17,500
90	29.6	16,900	16,300


REFERENCE ONLY


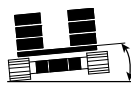
MLC200 S-1





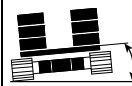
114,600 lb
+
0 lb



 **105.0 ft**

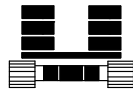
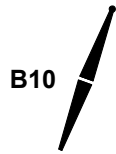
			
ft	°	0° - 1° lb	1° - 3° lb
45	69.5	26,000	26,000
50	66.6	26,000	26,000
55	63.5	26,000	26,000
60	60.4	26,000	26,000
65	57.2	26,000	24,500
70	53.8	24,900	22,400
75	50.3	23,100	20,600
80	46.6	21,600	19,000
85	42.6	19,300	17,600
90	38.3	17,000	16,300
95	33.5	14,900	14,700
100	27.9	12,900	12,800

 **114.8 ft**

			
ft	°	0° - 1° lb	1° - 3° lb
50	68.7	26,000	26,000
55	66.0	26,000	26,000
60	63.2	26,000	26,000
65	60.3	26,000	24,400
70	57.4	24,900	22,300
75	54.3	23,100	20,500
80	51.1	20,900	18,900
85	47.8	18,600	17,500
90	44.2	16,300	15,900
95	40.5	14,300	13,900
100	36.3	12,200	12,000
105	31.8	10,200	10,000


REFERENCE ONLY

MLC200 S-1




114,600 lb
+
0 lb



 **124.7 ft**

ft	°	lb	
		0° - 1°	1° - 3°
55	68.0	26,000	26,000
60	65.5	26,000	26,000
65	62.9	26,000	24,300
70	60.2	24,800	22,200
75	57.5	22,800	20,400
80	54.7	20,300	18,800
85	51.8	18,000	17,300
90	48.8	15,900	15,300
95	45.6	13,800	13,400
100	42.2	11,800	11,500
105	38.6	9,700	9,400

 **134.5 ft**

ft	°	lb	
		0° - 1°	1° - 3°
55	69.7	26,000	26,000
60	67.4	26,000	26,000
65	65.0	26,000	24,100
70	62.6	24,400	22,000
75	60.2	21,900	20,200
80	57.7	19,500	18,400
85	55.1	17,200	16,300
90	52.4	15,000	14,300
95	49.6	12,900	12,400
100	46.7	10,900	10,500
105	43.7	8,600	8,200

REFERENCE ONLY