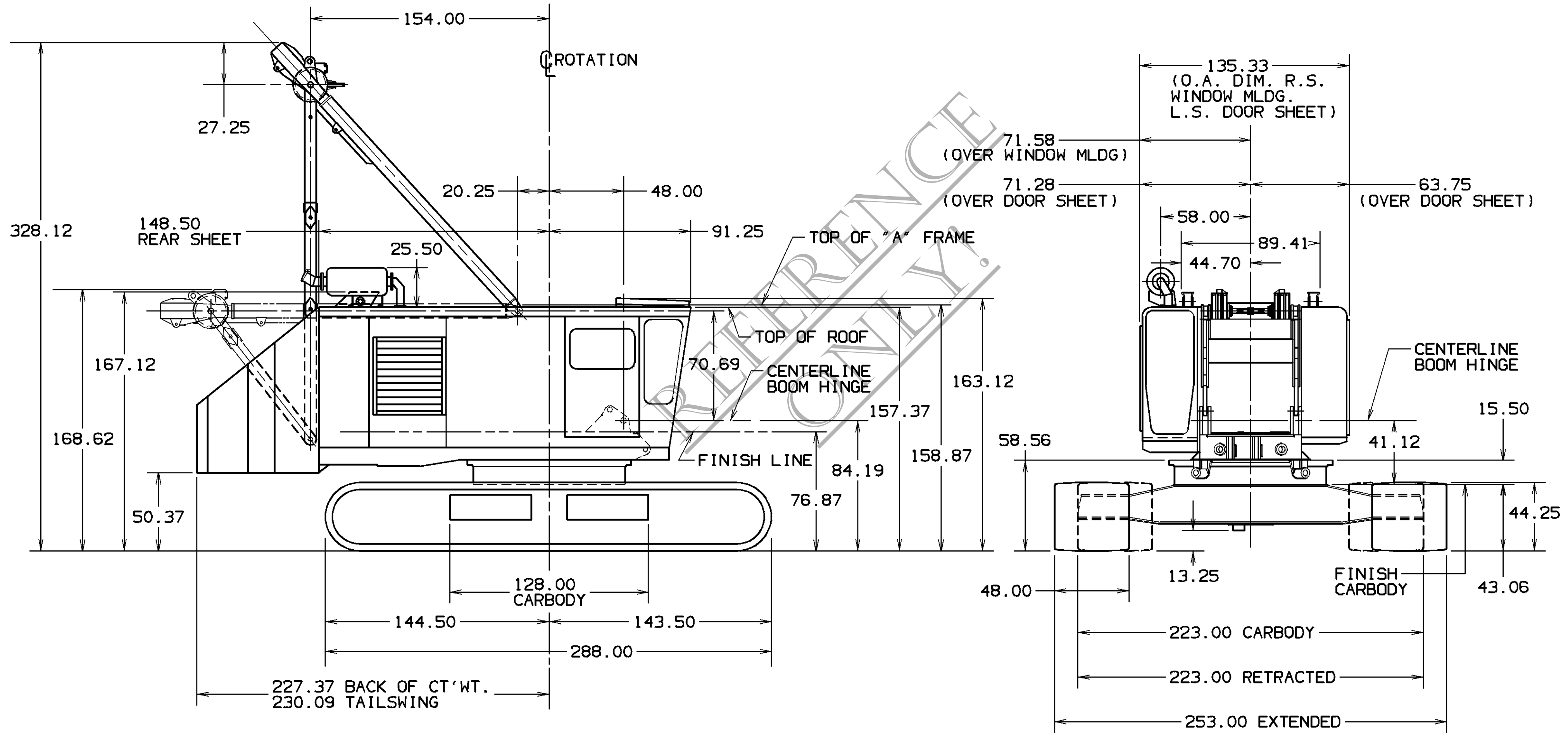


BILL OF MATERIAL					
ITEM NO. NO. REQ.	SEC. TION	DESCRIPTION	LENGTH IN.	MATERIAL	CODE NO. OR DRG. NO.

ASSEMBLIES
USED ON

REVISIONS
3-5-91 DRS
SHT 2 OF 3 &
SHT 3 OF 3
ADDED



DRG. NO.
166688
SHT 1 OF 3

DATE
4-3-86

PATTERN NO.

DRG. NO.
166688

SCALE .25=12	Manitowoc Cranes, Inc.	CRANE OUTLINE
DR. LS	<i>Manitowoc, Wisconsin</i>	DIMENSIONS
CK. LS	MODEL 3950W - UNIVERSAL	WITH 10.00 IN. WIDE
APP TSC	OPERATORS CAB	BOOM HOIST DRUMS

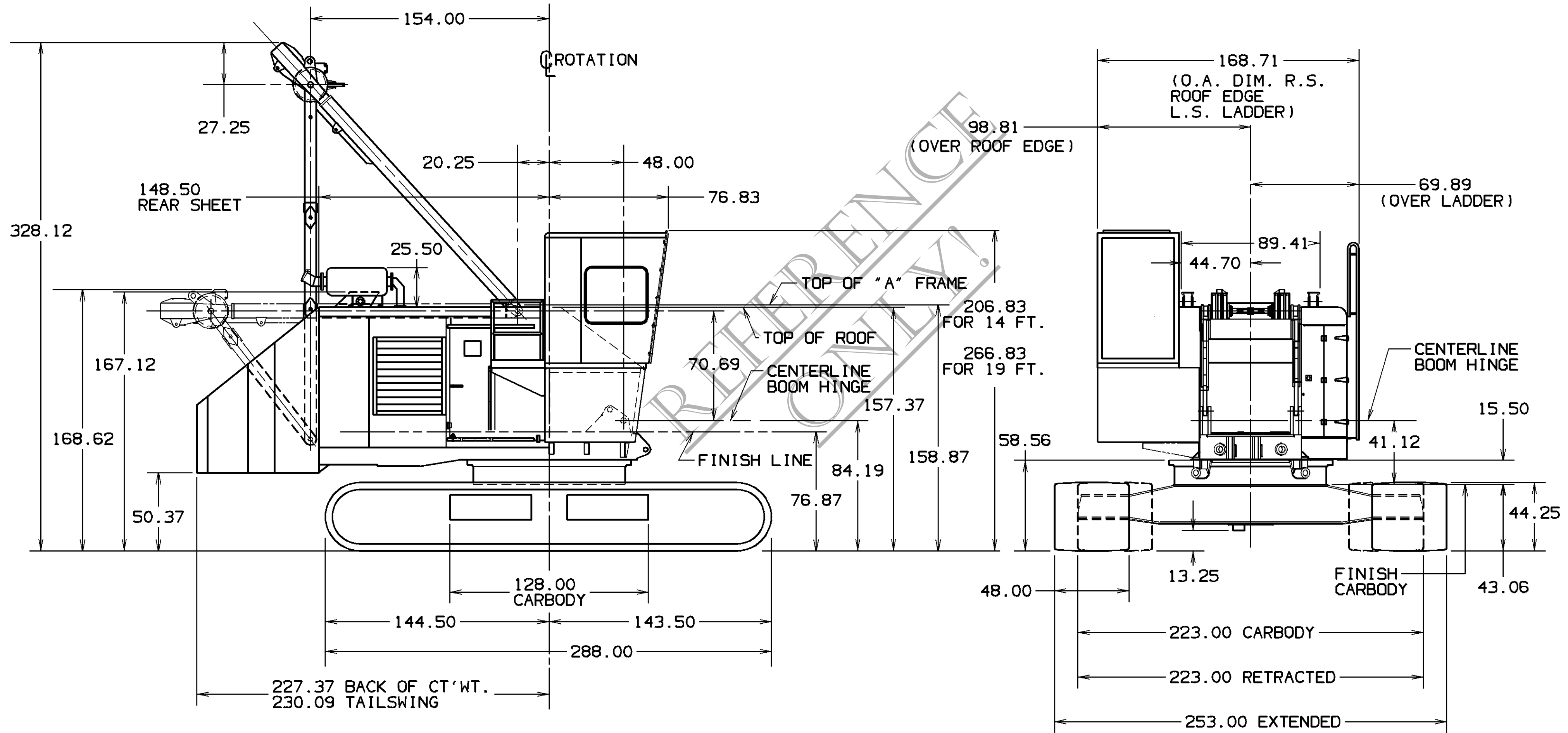
DO NOT SCALE THIS DRAWING

SHT 1 OF 3

BILL OF MATERIAL					
ITEM NO. NO. REQ.	SEC. TION	DESCRIPTION	LENGTH IN.	MATERIAL	CODE NO. OR DRG. NO.

ASSEMBLIES
USED ON

REVISIONS



DRG. NO.
166688
SHT 2 OF 3

DATE
3-5-91

PATTERN NO.

SCALE .25=12	Manitowoc Cranes, Inc.	CRANE OUTLINE DIMENSIONS
DR. DRS	<i>Manitowoc, Wisconsin</i>	14 FT. & 19 FT. ELEVATED CAB
CK. CRP	MODEL 3950W - UNIVERSAL	WITH 10.00 IN. WIDE
APP TSC	OPERATORS CAB	BOOM HOIST DRUMS

DRG. NO.
166688

DO NOT SCALE THIS DRAWING

SHT 2 OF 3

BILL OF MATERIAL					
ITEM NO. NO. REQ.	SEC. TION	DESCRIPTION	LENGTH IN.	MATERIAL	CODE NO. OR DRG. NO.

ASSEMBLIES
USED ON

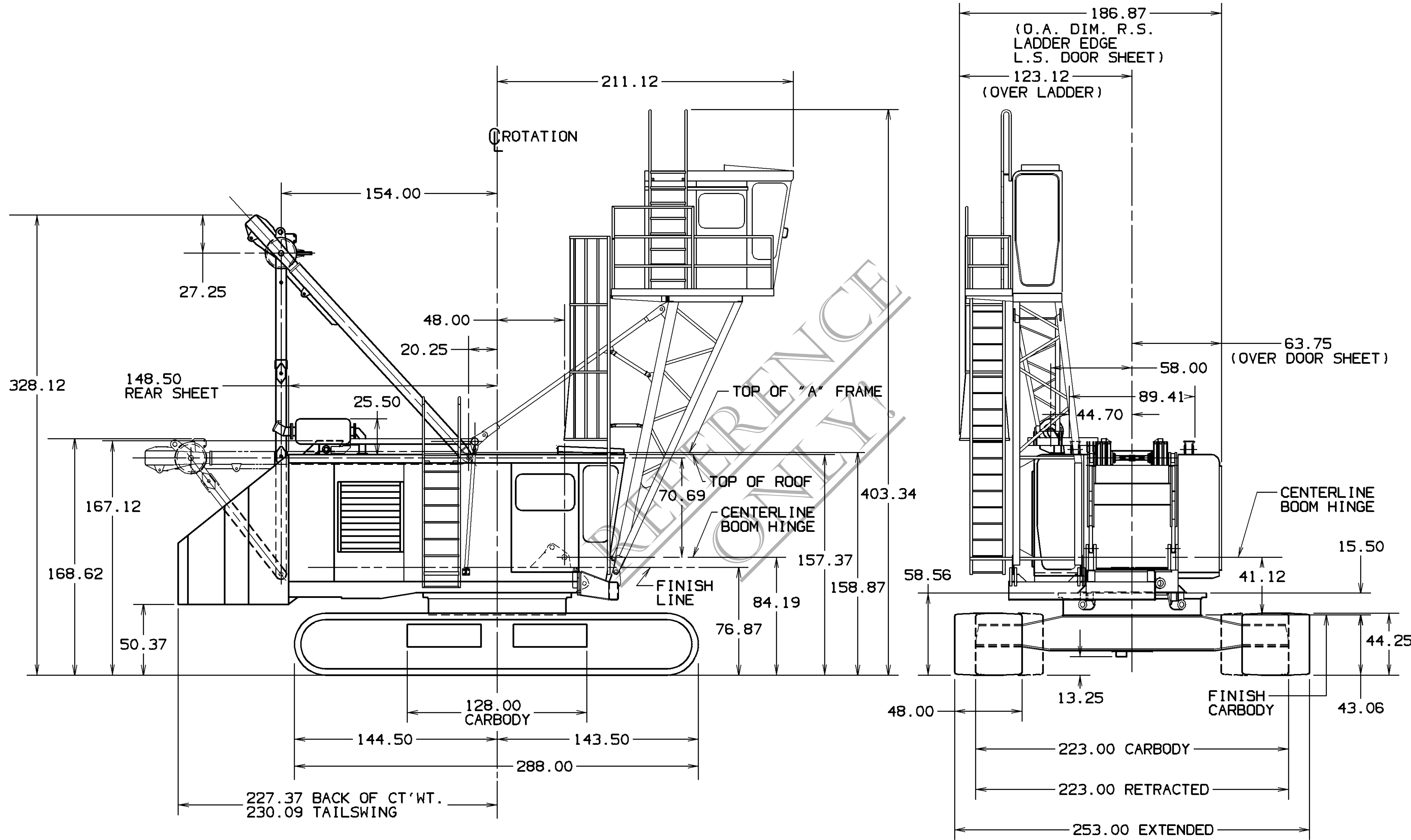
REVISIONS

DRG. NO.
166688
SHT 3 OF 3

DATE
3-5-91

PATTERN NO.

DRG. NO.
166688



SCALE .25=12	Manitowoc Cranes, Inc.	CRANE OUTLINE DIMENSIONS
DR. DRS	<i>Manitowoc, Wisconsin</i>	27 FT. ELEVATED CAB
CK. CRP	MODEL 3950W - UNIVERSAL	WITH 10.00 IN. WIDE
APP TSC	OPERATORS CAB	BOOM HOIST DRUMS

DO NOT SCALE THIS DRAWING

SHT 3 OF 3