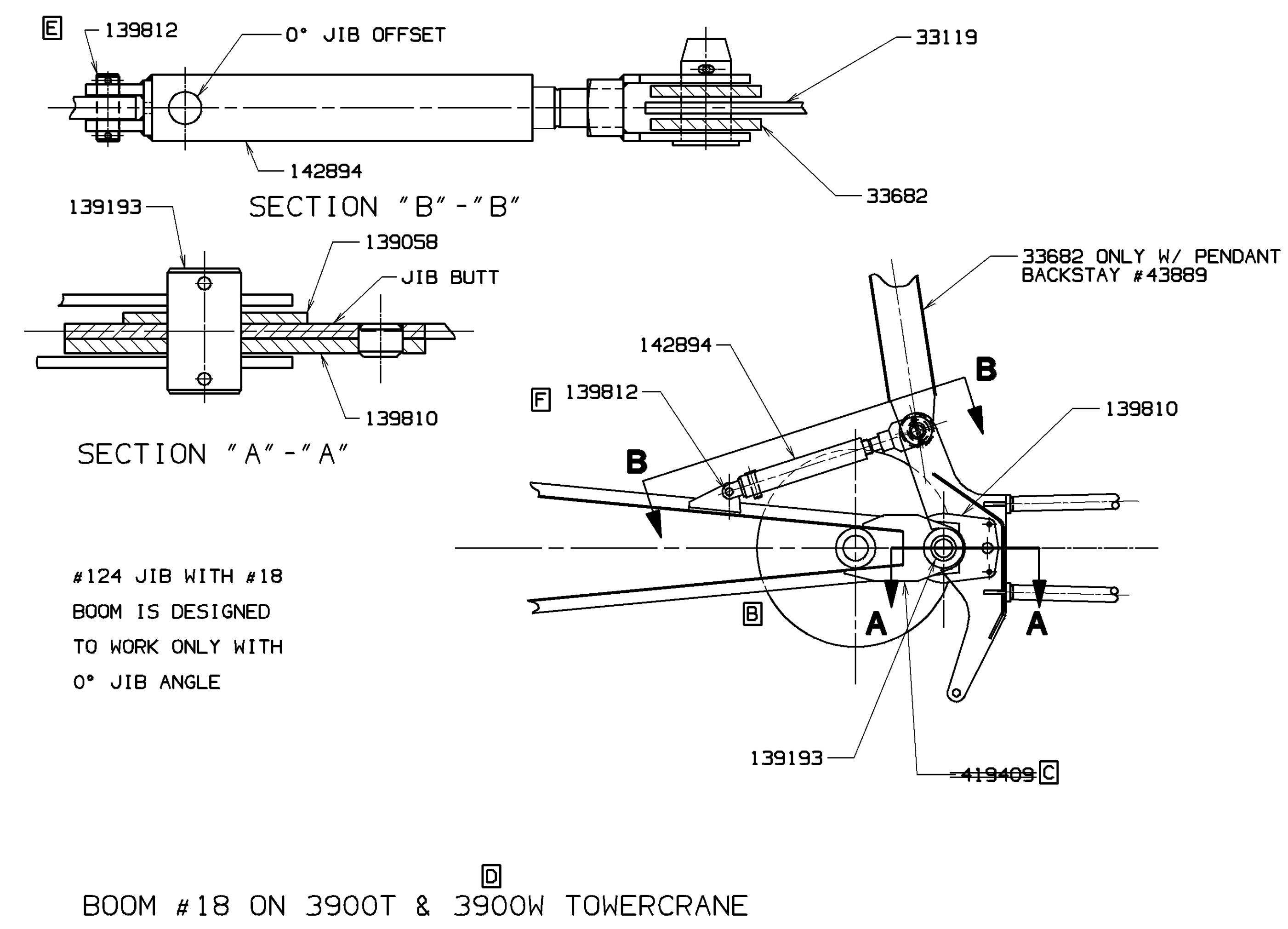
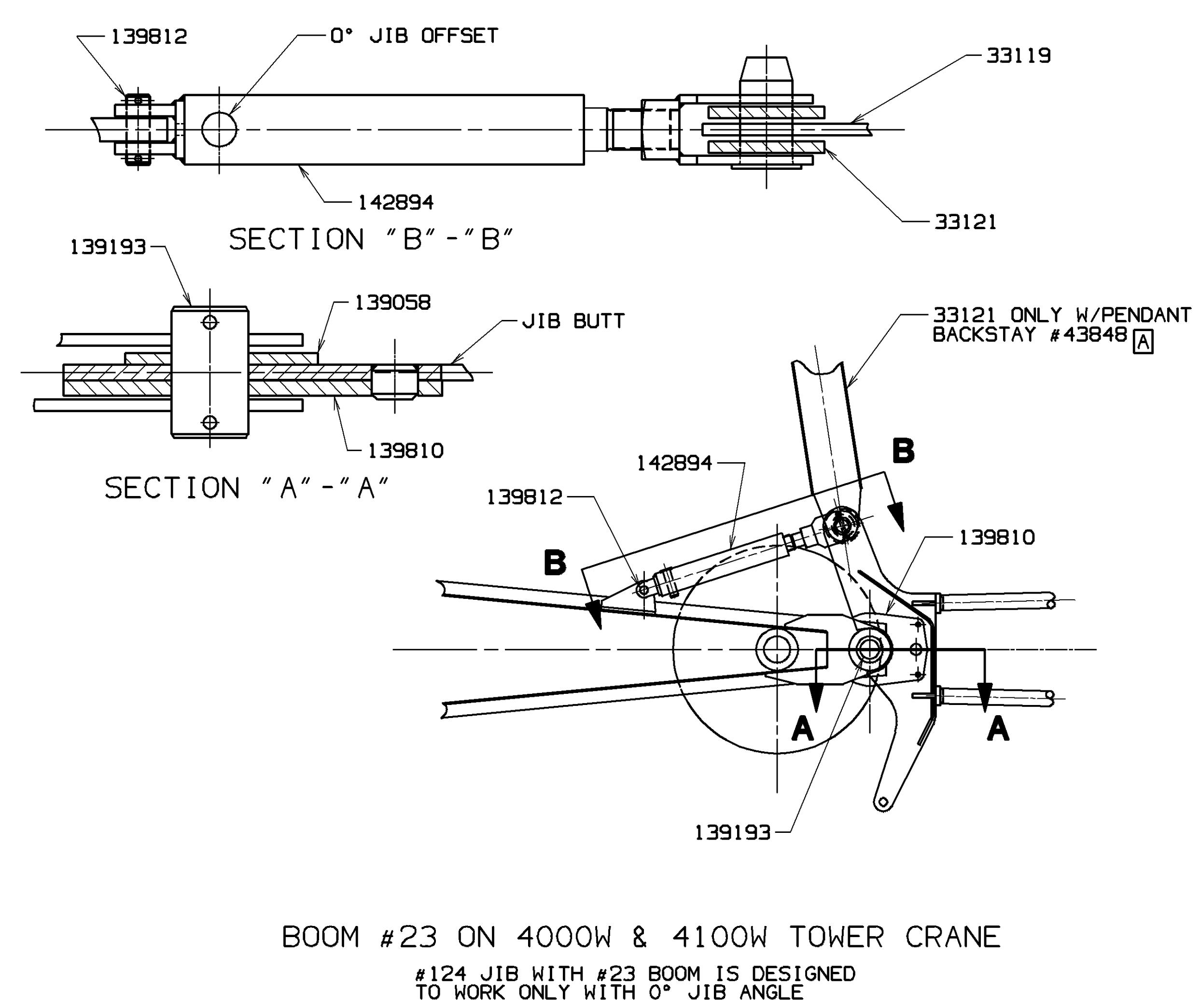
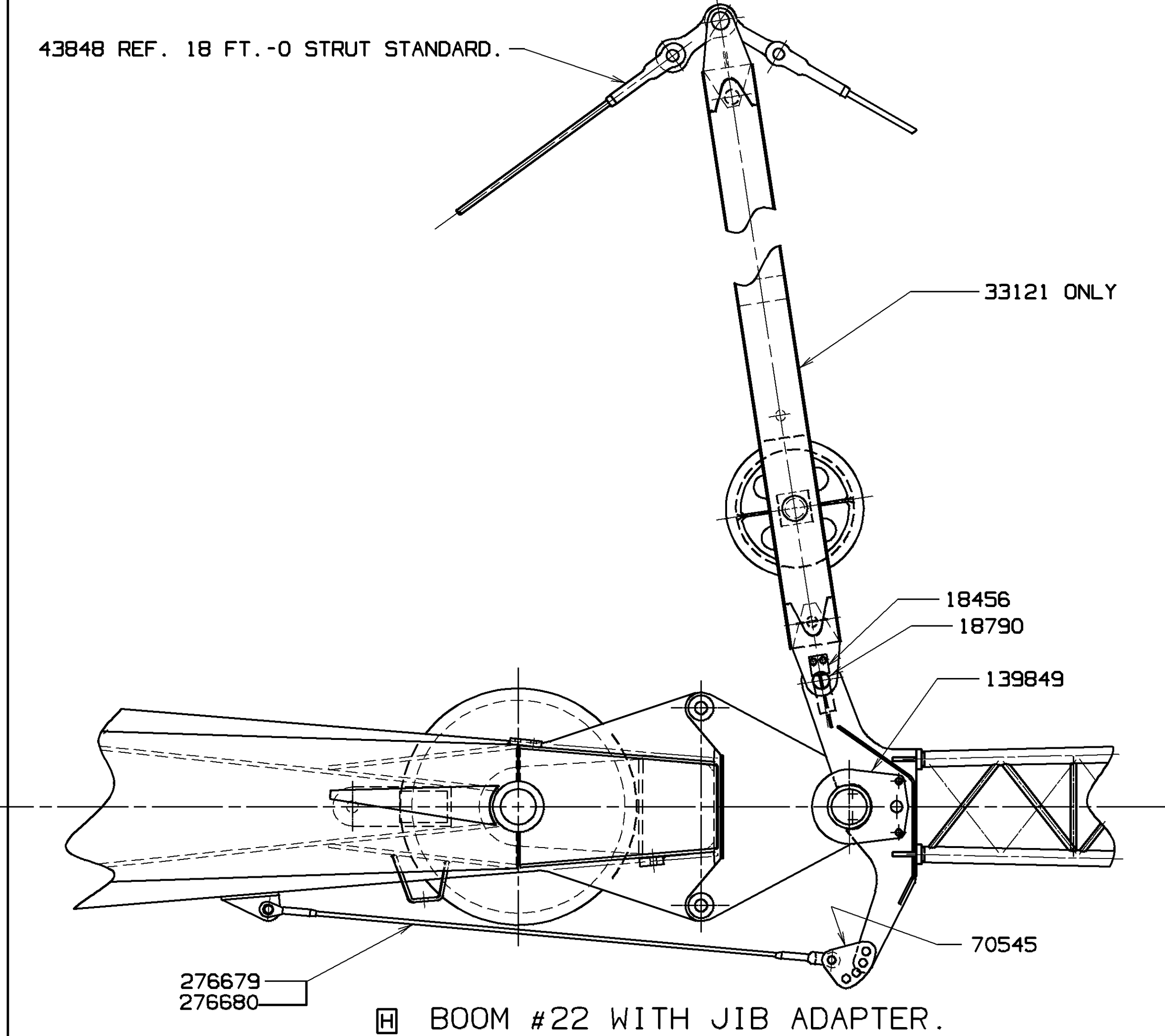
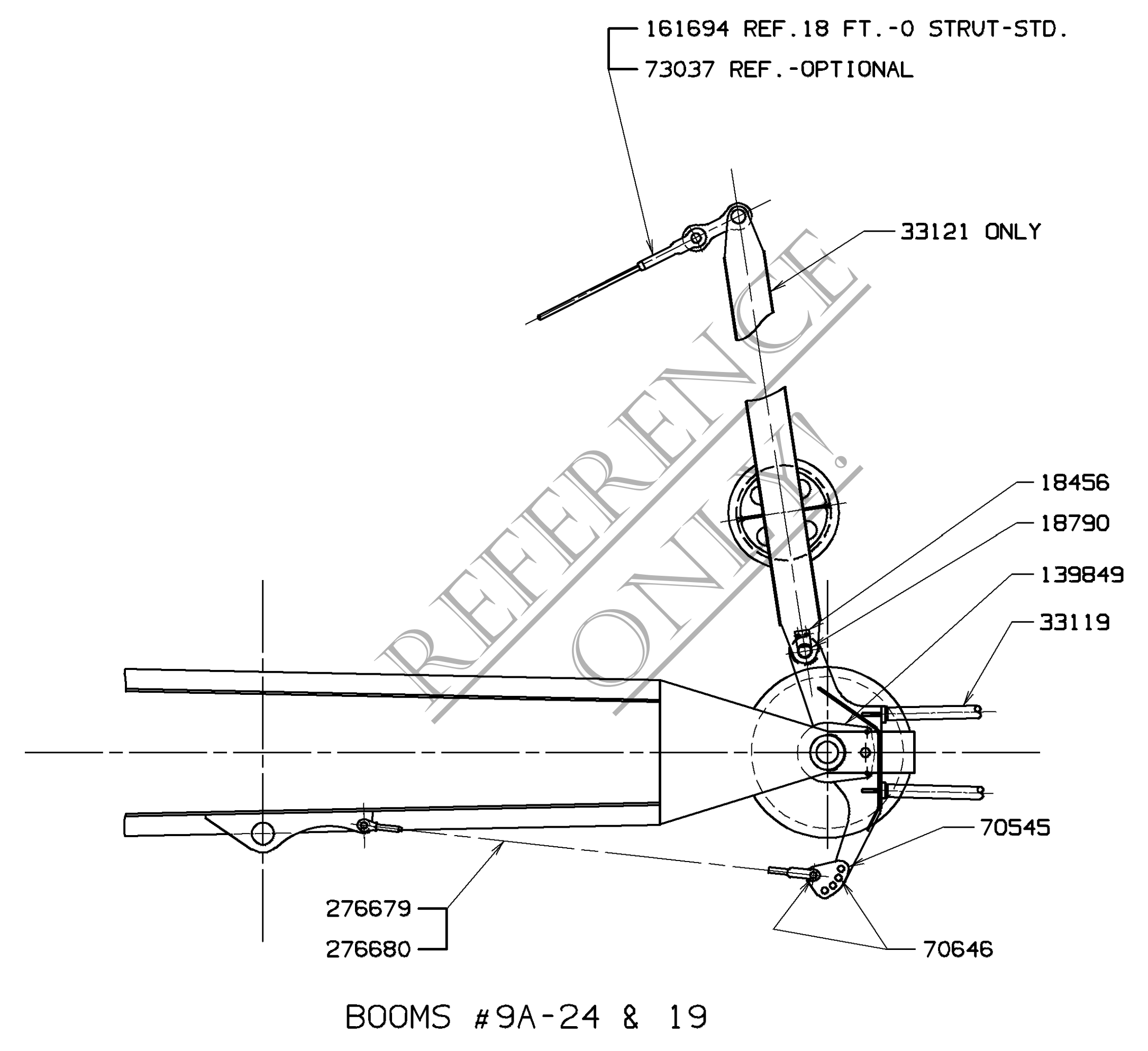
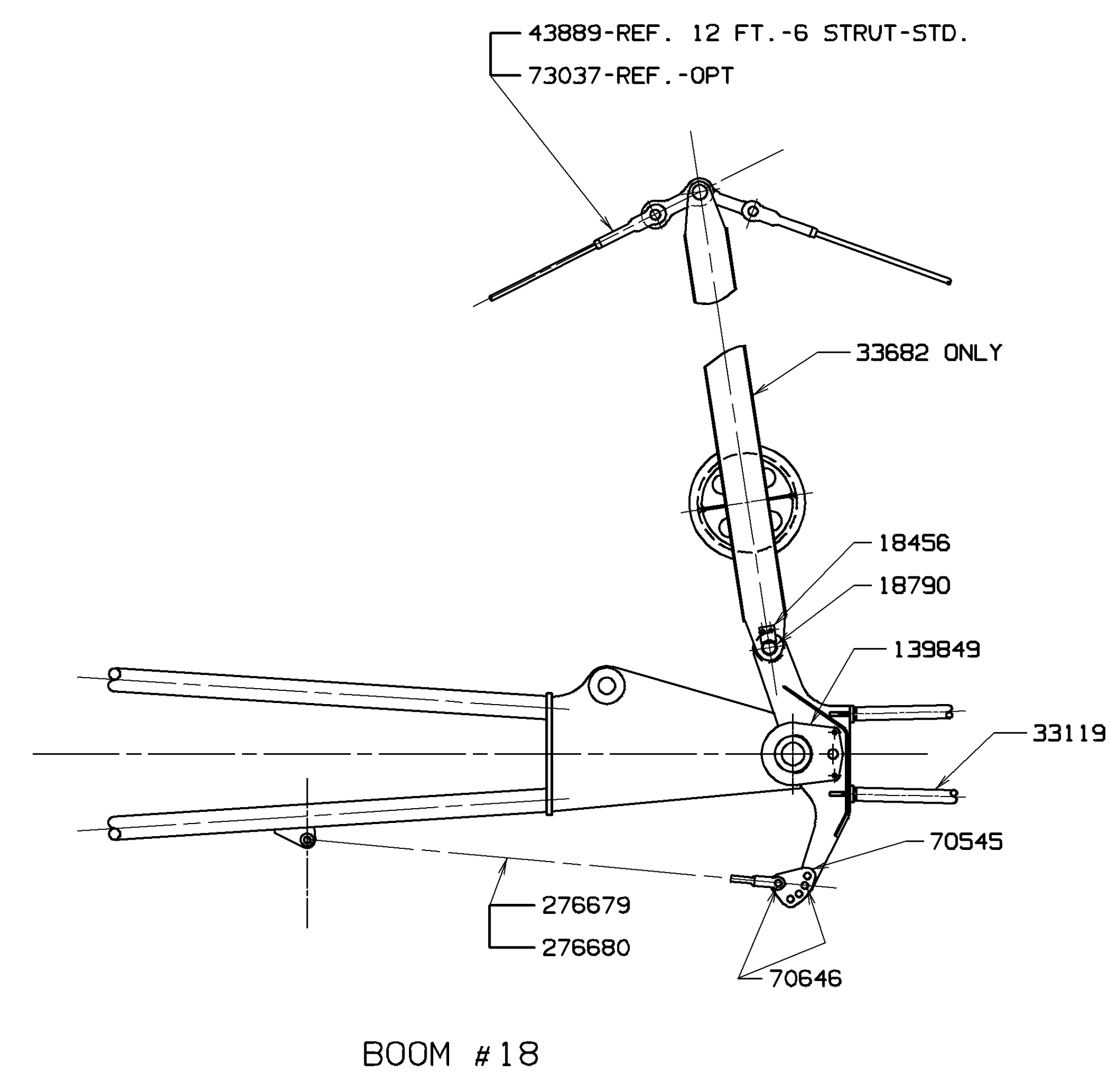


BILL OF MATERIAL				ASSEMBLIES USED IN
REV. NO.	DATE	DESCRIPTION	MATERIAL	QTY. USED
REVISIONS				
2-31-77	SPS	A	ADDED	
11-12-79	SPS	B	VIEW ADDED	
2-20-80	CRP	C	DELETED	
10-15-80	SPS	D	ADDED 3900H	
10-23-80	SPS	E	NUM. CORR.	
8-20-82	JN	22 & 22A	BOOM REMOVED	
8-8-82	MJH	39	ADDED	
8-4-83	SPS		REDRAWN CADAM	
	CK	LS	APP. PMR	
12-11-83	JHS	H	VIEW ADDED	
7-13-84	SPS	J	39A ADDED	



DATE	3-25-77
DRAWN BY	SPS
CHECKED BY	MR
DATE	3-25-77
REV. NO.	1
DESCRIPTION	JIB ASSEMBLY
MODEL	#124 JIB
DATE	3-25-77
REV. NO.	1
DESCRIPTION	JIB ASSEMBLY
MODEL	#124 JIB

DO NOT SCALE THIS DRAWING