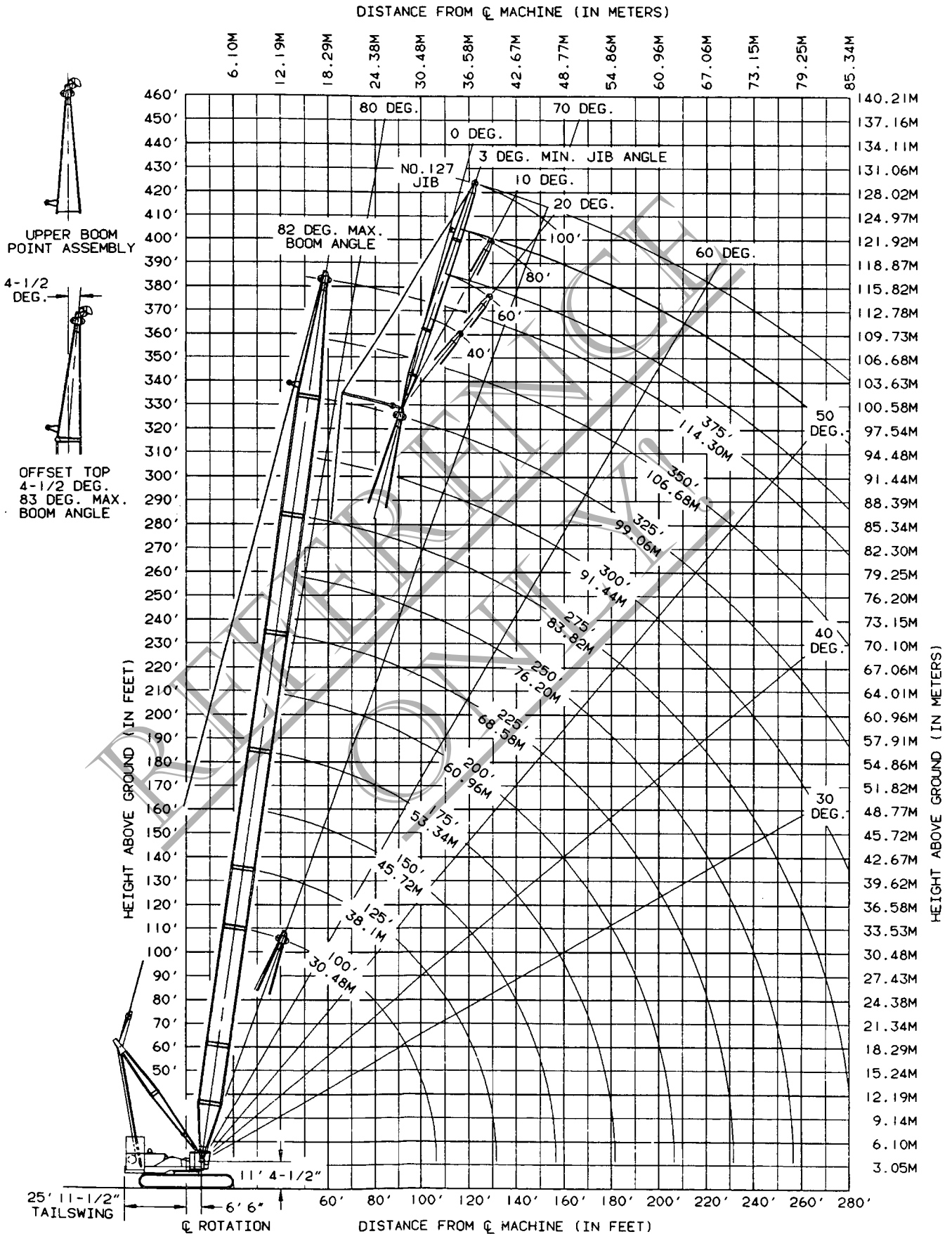


MANITOWOC ENGINEERING CO.

Division of The Manitowoc Company, Inc.

Manitowoc, Wisconsin 54220



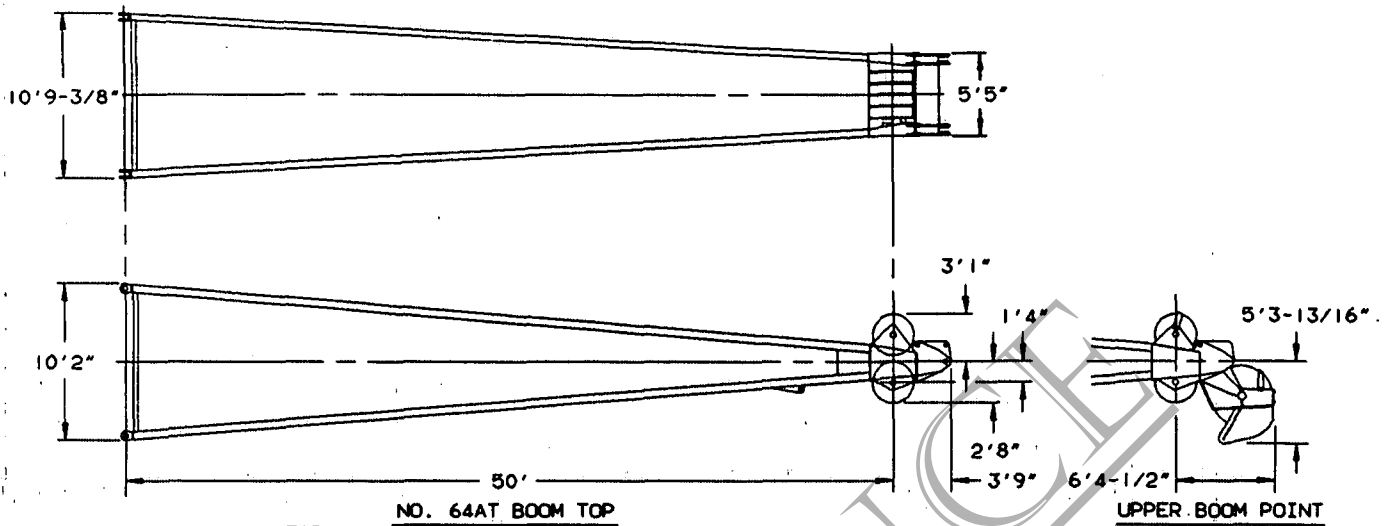
166913-1

RANGE DIAGRAM 6000 SERIES-2 - NO.66T-64AT BOOM - NO.127 JIB

MANITOWOC ENGINEERING CO.

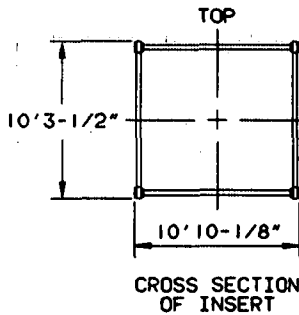
Division of The Manitowoc Company, Inc.

Manitowoc, Wisconsin 54220

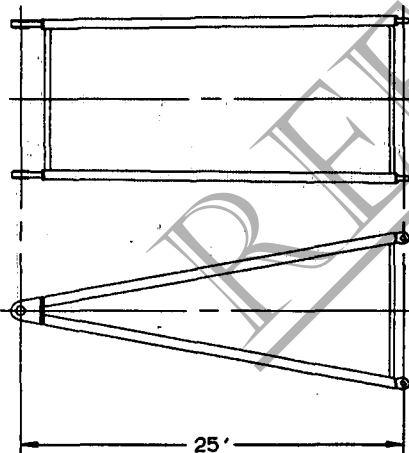


NO. 64AT BOOM TOP

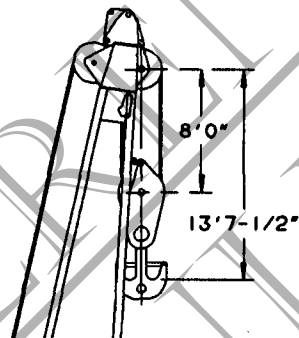
UPPER BOOM POINT



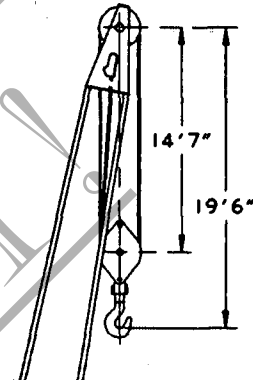
CROSS SECTION OF INSERT



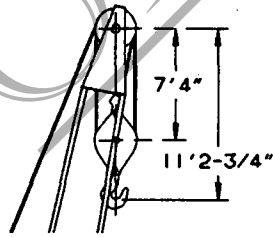
NO. 66T BOOM BUTT



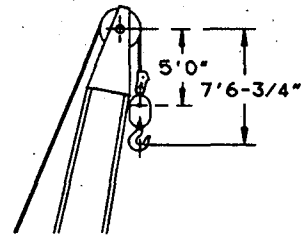
NO. 64AT BOOM WITH 350 TON BLOCK



NO. 127 JIB WITH 80 TON LOAD BLOCK



NO. 127 JIB WITH 50 TON LOAD BLOCK



NO. 127 JIB WITH 25 TON SWIVEL BLOCK

- NOTE 1** - THIS DRAWING IS INTENDED ONLY AS A GUIDE TO ASSIST IN JOB PLANNING.
- NOTE 2** - FOR PLANNING A LIFT, THIS DRAWING IS TO BE USED IN CONJUNCTION WITH APPROPRIATE -
 A. CAPACITY CHARTS B. RANGE CHART C. LOAD LINE SPECIFICATIONS
 D. RIGGING DRAWING E. OUTLINE DIMENSIONS
- NOTE 3** - FOR PLANNING LIFTS WHERE CLEARANCES ARE LIMITED AND ACCURACY IS DESIRED, A DETAIL LAYOUT SHOULD BE PREPARED
- NOTE 4** - DISTANCE OF MANITOWOC LOAD BLOCK TO BOOM POINT BASED ON THREE DEGREE FLEET ANGLE OR PHYSICAL LIMITATIONS.
- NOTE 5** - WHEN EQUIPPED WITH HOIST LINE LIMIT SWITCH, CONTACT FACTORY FOR LOAD BLOCK TO BOOM POINT MINIMUM DISTANCE.
- NOTE 6** - MAXIMUM BOOM ANGLE 82 DEGREES FOR NO.66T-64AT BOOM WITH STRAIGHT TOP.
- NOTE 7** - MAXIMUM BOOM ANGLE 82 DEGREES FOR NO.66T-64AT BOOM WITH 4-1/2 DEGREE OFFSET TOP.

RANGE DIAGRAM 6000 SERIES-2 - NO.66T-64AT BOOM - NO.127 JIB