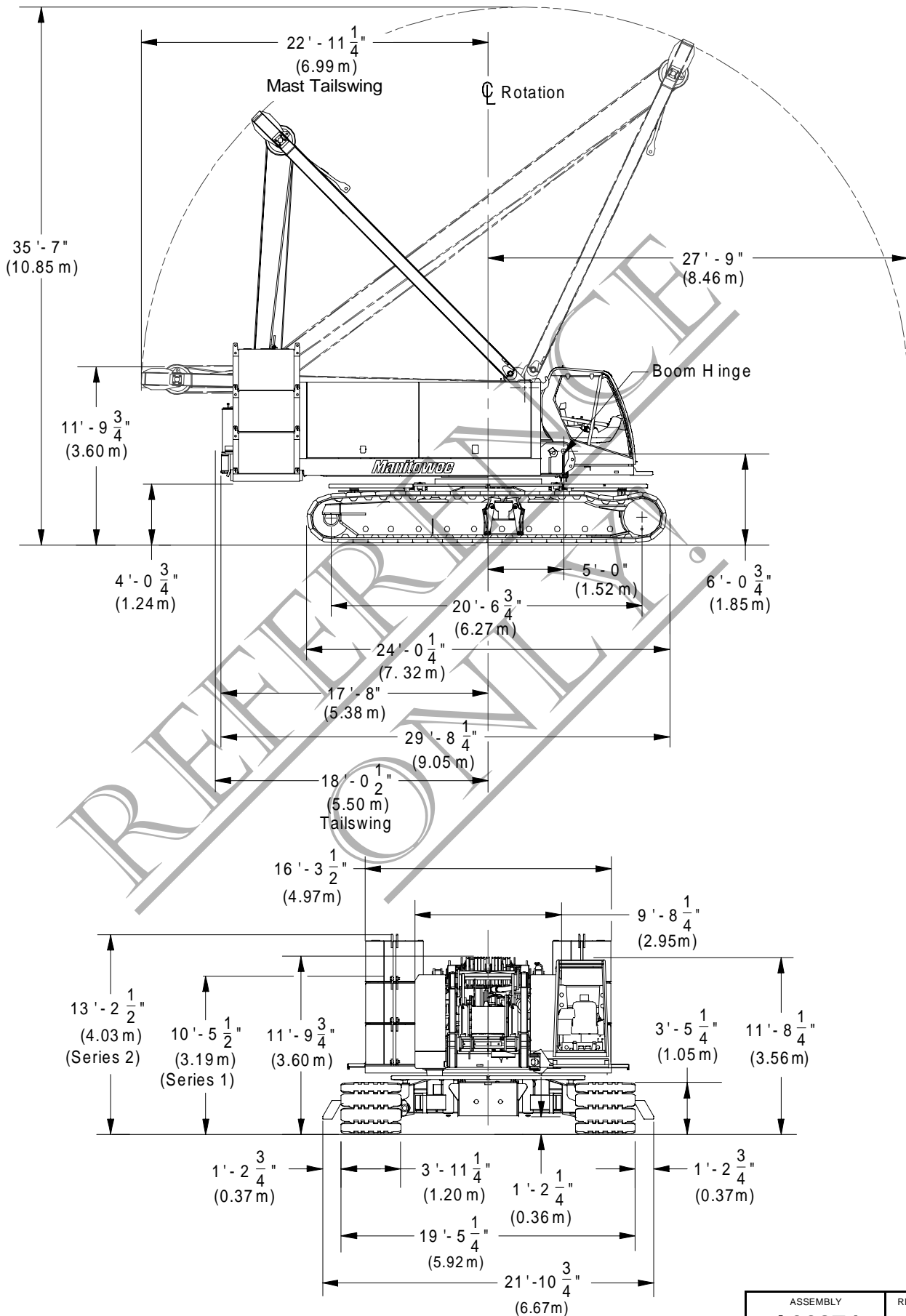


# MANITOWOC CRANES, INC.



Eng Rev A

ASSEMBLY	REVISION
<b>A02874</b>	<b>A</b>

OUTLINE DIMENSIONS, MODEL 555