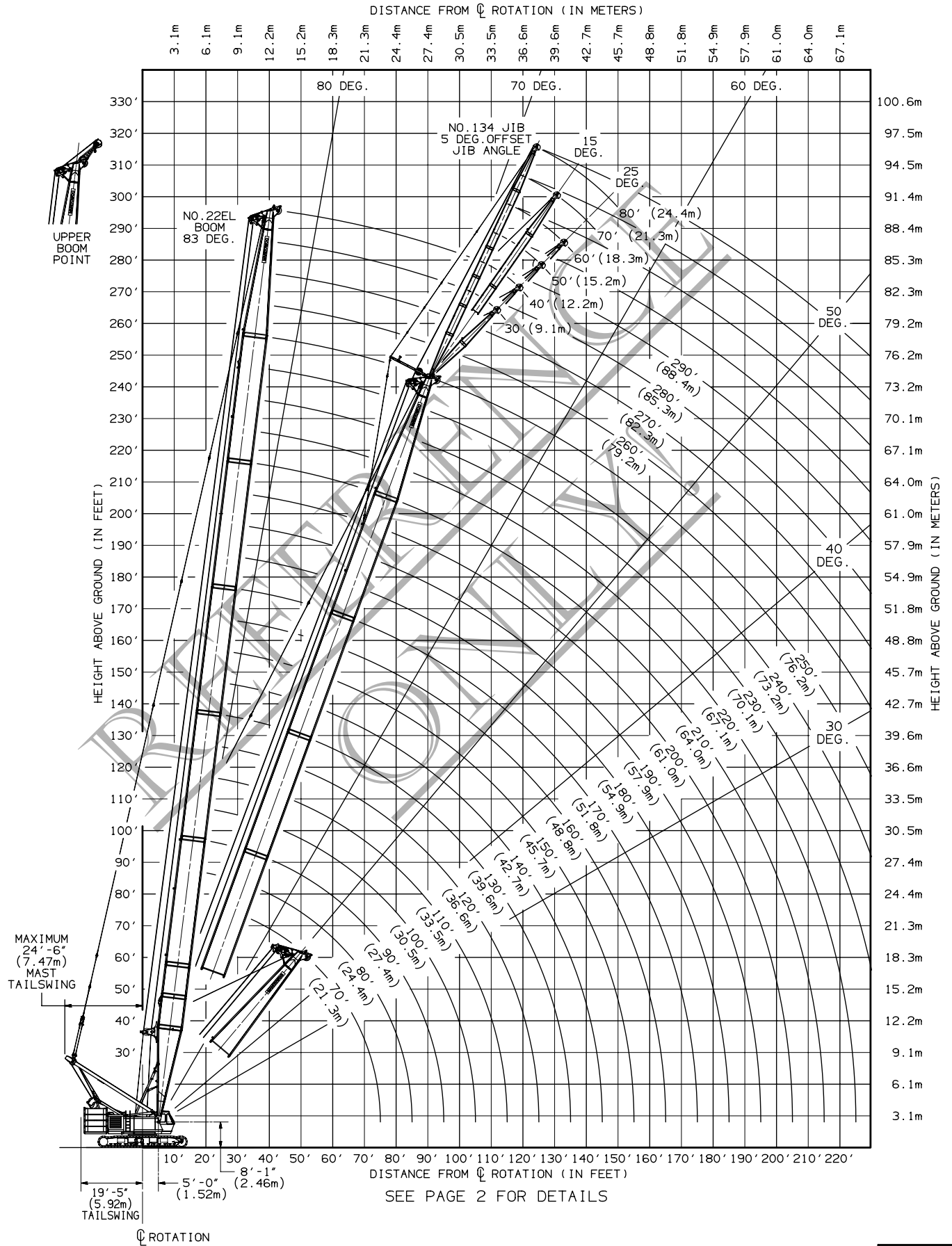
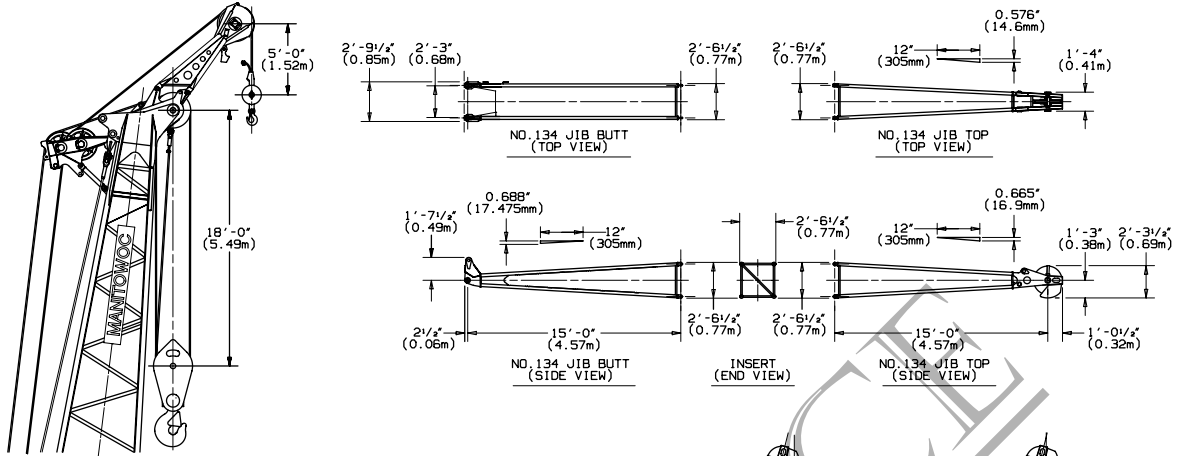


MANITOWOC CRANES, INC.



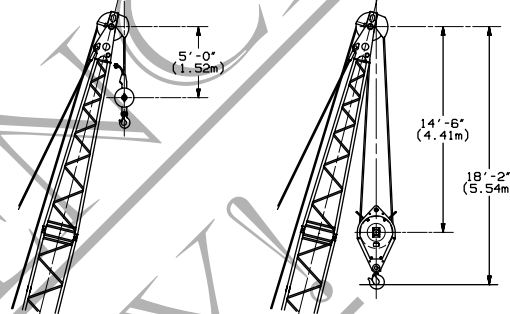
RANGE DIAGRAM - 888 SERIES 1 & 888 SERIES 2 (#22EL BOOM & #134 JIB)



220 US TON (200 METRIC TON)
BLOCK TO BOOM POINT
MINIMUM DISTANCE
NO. 22EL BOOM - 14 PARTS OF LINE

MINIMUM DISTANCE MEASUREMENTS FROM MANITOWOC
LOAD BLOCK TO BOOM POINT SHOWN ABOVE
BASED ON 83 DEGREE BOOM ANGLE AND 2 1/2 DEGREE
FLEET ANGLE OR PHYSICAL LIMITATIONS.

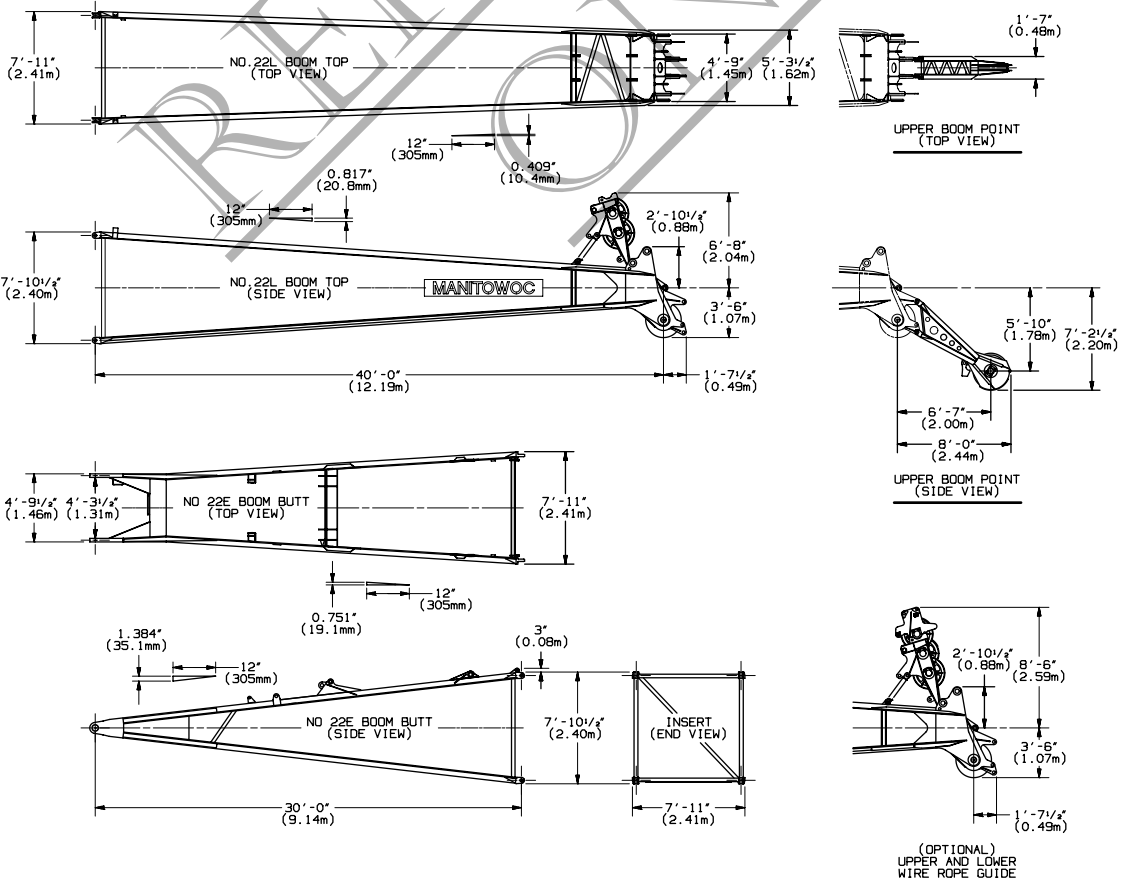
- NOTE 1: THIS DRAWING IS INTENDED ONLY AS A GUIDE TO ASSIST IN JOB PLANNING.
- NOTE 2: FOR PLANNING A LIFT, THIS DRAWING IS TO BE USED IN CONJUNCTION WITH APPROPRIATE CAPACITY CHARTS, RANGE CHART, WIRE ROPE SPECIFICATIONS, RIGGING DRAWING, AND OUTLINE DIMENSIONS.
- NOTE 3: FOR PLANNING LIFTS WHERE CLEARANCES ARE LIMITED AND ACCURACY IS DESIRED, A DETAILED LAYOUT SHOULD BE PREPARED.
- NOTE 4: WHEN EQUIPPED WITH BLOCK-UP LIMIT CONTROL, LOAD BLOCK TO BOOM POINT/JIB POINT MINIMUM DISTANCE MAY BE MORE THAN INDICATED. SEE OPERATOR'S MANUAL FOR "BLOCK-UP LIMIT CONTROL".
- NOTE 5: MAXIMUM BOOM ANGLE 83 DEGREES FOR NO. 22EL BOOM, MAXIMUM BOOM ANGLE 81 DEGREES FOR NO. 22EL BOOM AND NO. 134 JIB.
- NOTE 6: MAXIMUM BOOM AND BOOM AND JIB LENGTHS SHOWN ON SHEET 1 ARE FOR MACHINE EQUIPPED WITH SERIES 2 COUNTERWEIGHT. IN ALL CASES, REFER TO CRANE BOOM RIGGING OR CAPACITY CHART FOR MAXIMUM LENGTHS.



15 US TON (14 METRIC TON)
SWIVEL HOOK & WEIGHT BALL
BLOCK TO JIB POINT
MINIMUM DISTANCE
NO. 134 JIB - SINGLE PART LINE

30 US TON (27 METRIC TON)
SWIVEL HOOK & WEIGHT BALL
BLOCK TO BOOM POINT
MINIMUM DISTANCE
NO. 134 JIB - 2 PARTS OF LINE

MINIMUM DISTANCE MEASUREMENTS FROM MANITOWOC LOAD BLOCK TO JIB POINT BASED ON 76 DEGREE JIB ANGLE AND 2 1/2 DEGREE FLEET ANGLE OR PHYSICAL LIMITATIONS.



(OPTIONAL)
UPPER AND LOWER
WIRE ROPE GUIDE