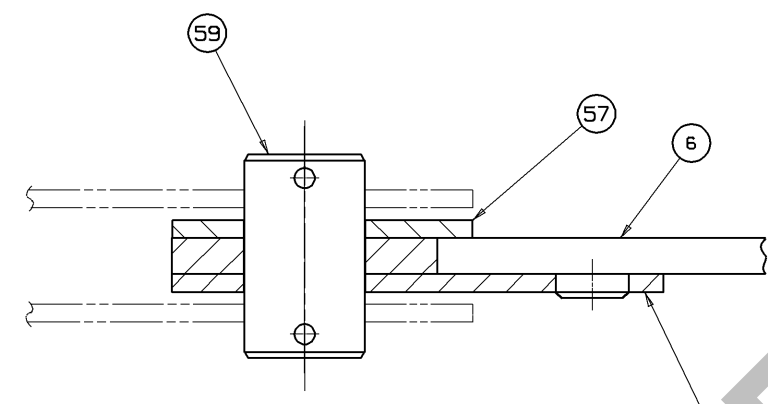
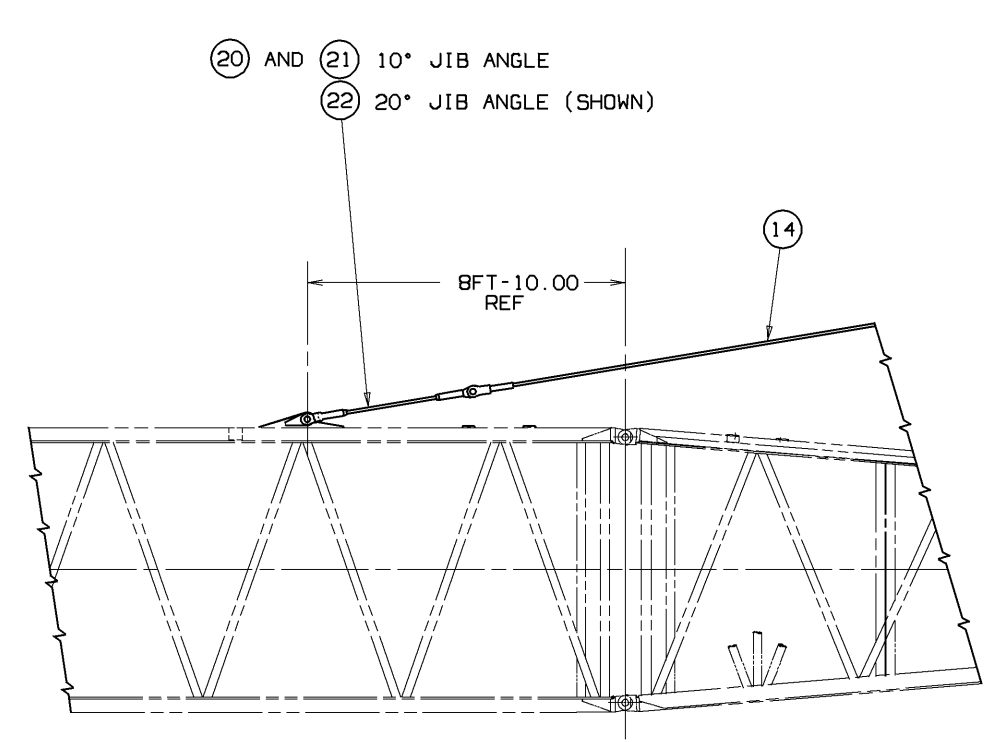


#123 JIB WITH LIGHT TAPERED TOP



SECTION A - A
SCALE: 6 = 1 FT



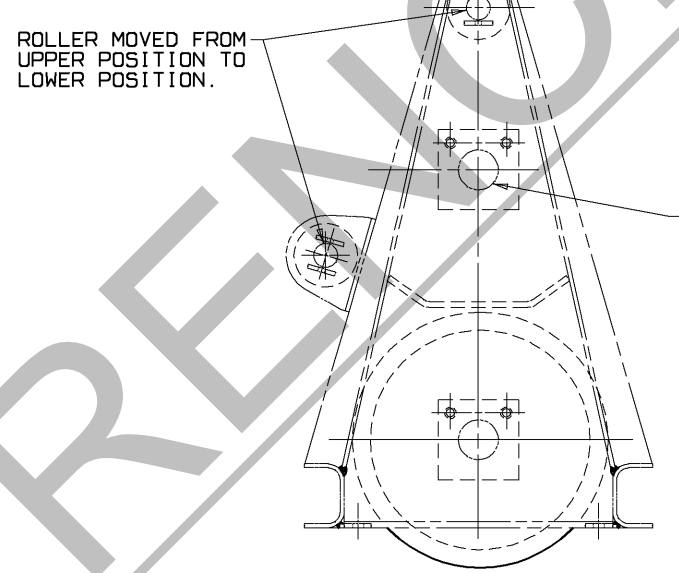
10° OR 20° JIB ANGLE

REQUIRED FOR VARIOUS JIB LENGTHS (5)

DISCRIPTION		AF	AG	AH					
JIB LENGTH	INSERT	INSERT	PENDANT	PENDANT	PIN	JIB	BOLT	WASHER	NUT
FEET	METERS	10 FT-00 3.05 M NO. 32938	20 FT-00 6.10 M NO. 176938	9 FT-6.00 2.89 M NO. 276729	19 FT-00 5.79 M NO. 277422	JIB JOINT NO. 76225	NO 257140	NO 709702	NO 7660181601
40	12.19	1	0	2	0	4	4	8	4
50	15.24	OR 2	0	4	0	8	8	16	8
60	18.29	OR 3	0	6	0	12	12	24	12

REQUIRED FOR VARIOUS JIB ANGLES

DISCRIPTION				
JIB ANGLE	PENDANT	PENDANT	LINK	PIN
	50 FT-4.00 15.34 M NO. 276894	4 FT-8.00 1.42 M NO. 277038	2 FT-4.00 0.71 M NO. 140939	NO. 137378
0°	2	0	0	0
10°	2	0	2	2
20°	2	2	0	0

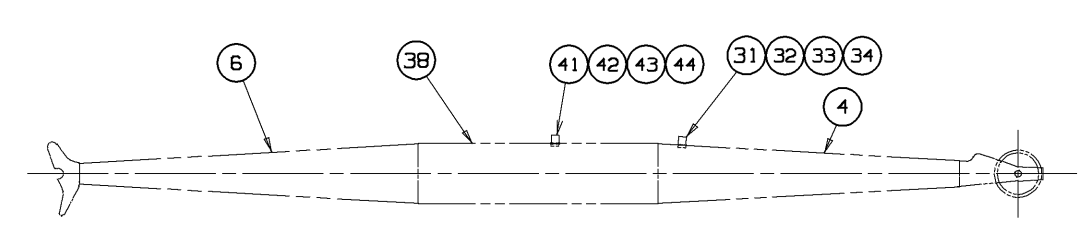


VIEW A

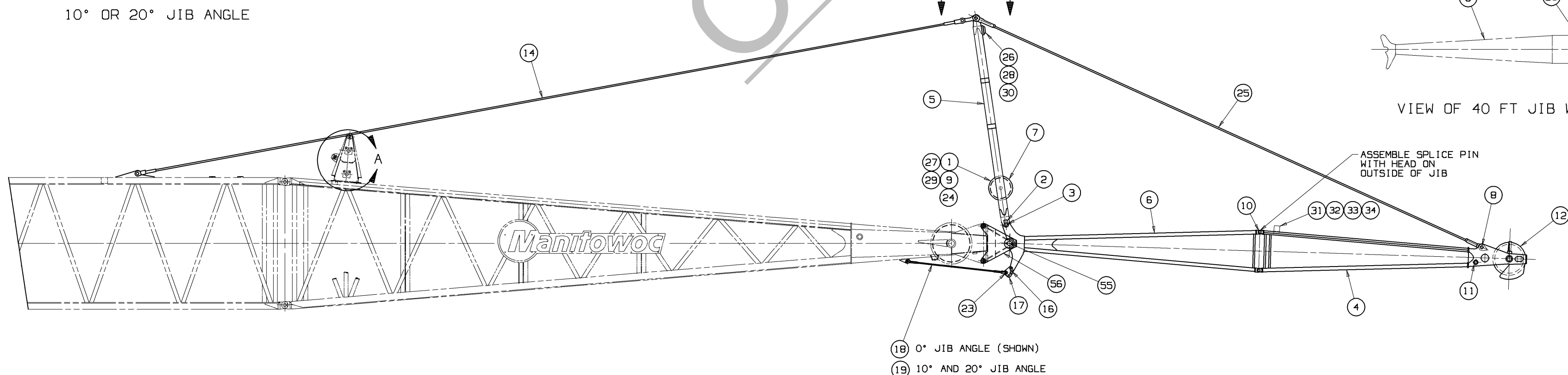
- ① ON DWG. 75023
USE #276730 FOR 0° JIB ANGLE
USE #276731 FOR 10° AND 20° JIB ANGLE
- ② ON DWG. 74958
- ③ ON DWG. 137410
- ④ ON DWG. 140938
- ⑤ INSERTS AND CORRESPONDING PENDANTS MUST BE INSTALLED IN ORDER OF ASCENDING LENGTH STARTING AT JIB BUTT AND STRUT.
- ⑥ MINIMUM BOOM LENGTH REQ'D. FOR JIB = 90 FT. FOR IN-LINE BOOM LENGTHS OF 90 FT. AND 100 FT. WITH JIB, UPPER SHEAVE AND SHAFT MUST BE REMOVED AND ROLLER MOVED TO LOWER POSITION ON ROPE GUIDE ASSEMBLY. SEE VIEW A.
- ⑦ ATTACH TIMBERS SO THEY ARE FREE TO SLIDE UNDER THERMAL EXPANSION/CONTRACTION OF PLASTIC

BILL OF MATERIAL

NO.	QTY.	DESCRIPTION	UNIT	MATERIAL	QTY. NO.	ASSEMBLIES USED IN
4385-0000 #123 JIB ASSEMBLY						
1	2	WASHER			11089	
2	2	KEEPER			18456	
3	2	PIN			18790	
4	1	JIB TOP (15 FT-0)			32948	
5	1	STRUT (12 FT-6)			182852	
6	1	JIB BUTT (15 FT-0)			49685	
7	1	SHEAVE			72172	
8	2	PIN			75052	
9	1	PIN			75694	
10	4	PIN			76225	
11	1	UNIVERSAL WIRE ROPE ANCHOR JOINT			90317	
12	1	JIB POINT SHAFT			90318	
13	2	JIB BACKSTAY STRAP			137081	
14	2	PENDANT (50 FT-4)			276894	
15	2	LOCKING PLATE			139849	
16	2	PIN			75025	
17	4	ADJUSTING LINK			90333	
18	2	JIB STOP PENDANT (71.25 LONG)			276730	
19	2	JIB STOP PENDANT (67.62 LONG)			276731	
20	2	LINK (28.00 LONG)			140939	
21	2	PIN			137378	
22	2	PENDANT (56.00 LONG)			277038	
23	2	PIN			564093	
24	1	ROLLER BEARING			224003	
25	2	PENDANT (33 FT-3.75)			276728	
26	2	RUBBER BUMPER			285220	
27	2	NUT .625-11UNC-2B ELASTIC STOP			548345	
28	4	SCR-.375-16UNC-2A X 1.25 LG HEX HD			612456	
29	2	SCR-.625-11UNC-2A X 5.50 LG HEX HD			612687	
30	4	LOCKWASHER .375			710304	
31	1	TIMBER 27.00 LG X 3.50 W			81017676	
32	4	HEC LOCK NUT 5/8-11UNC Gr5.2			7660201601	
33	4	HHCS 5/8-11UNC X 5.00 GR 5			612685	
34	8	F WASHER SHIM 5/8 ST F436			709747	
NO. REQUIRED FOR THE FOLLOWING ITEMS ARE IN THE JIB LENGTH TABLE						
38		INSERT - 10 FT			32938	
39		PENDANT - 9 FT-6.00			276729	
40		PIN - JIB JOINT			76225	
41		TIMBER 27.00 LG X 3.50 W			81017676	
42		HEC LOCK NUT 5/8-11UNC Gr5.2			7660201601	
43		HHCS 5/8-11UNC X 5.00 GR 5			612685	
44		F WASHER SHIM 5/8 ST F436			709747	
45		INSERT - 20 FT			176938	
46		PENDANT - 19 FT-00			277422	
47		PIN - JIB JOINT			76225	
48		TIMBER 27.00 LG X 3.50 W			81017676	
4385-0150 FOR 4.5' TOP						
52	2	JIB BACKSTAY STRAP			138661	
53						
54						
4385-0200 FOR IN-LINE TOP JIB ADAPTER						
55	2	LOCKING PLATE			139849	
56	1	JIB ADAPTER ASSEMBLY			78169	
4385-0250 FOR LIGHT TAPERED TOP JIB ADAPTER						
57	2	JIB LOCKING PLATE			139058	
58	2	ADAPTER			139853	
59	2	PIN			139193	
60						



VIEW OF 40 FT JIB WITH WIRE ROPE ROLLER GUIDE



30 FT JIB - 0° JIB ANGLE WITH IN LINE TOP SHOWN

THIS PRINT BEING THE PROPERTY OF MANITOWOC CRANES, INC. ALL INFORMATION CONTAINED HEREIN IS CONFIDENTIAL. IT IS LOANED, SUBJECT TO RETURN UPON DEMAND, AND AN EXPRESS CONDITION THAT IT IS NOT TO BE COPIED OR USED DIRECTLY OR INDIRECTLY IN ANY MANNER WHATSOEVER DETRIMENTAL TO OUR INTERESTS.	TOLERANCE UNLESS OTHERWISE SPECIFIED FABRICATION (1) PLACE 0.5 (2) PLACE 0.00 (3) PLACE 0.000 MACHINING 10 FEET ± .18 10 FEET ± .12 10 FEET ± .015 10 FEET ± .005 ANGLES 11.25° ± .01 90° ± .01	SCALE 30=1 FT DR. CRP CHK. MJH APP. DJP	Manitowoc Cranes, Inc. Manitowoc, Wisconsin MODEL 888, 999	JIB ASSEMBLY #123 JIB FOR #22E BOOM	DATE 3-21-95 PATTERN NO. 176953
---	---	---	--	---	--