

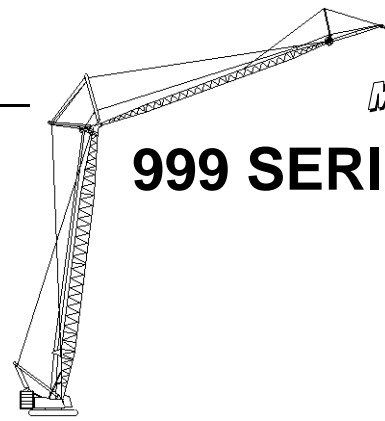


Liftcrane Fixed Jib Capacities

999 SERIES 3

**New York City Code
Fixed Jib No. 138 At
3 Degree Offset Angle On
Luffing Jib No. 135 On
Boom No. 82 or 22EL
219,600 Lb. Crane Counterweight
80,000 Lb. Carbody Counterweight
360 Degree Rating**

**Designed And Tested
With The Intent To
Be In The Scope of
ANSI B30.5**



LIFTING CAPACITIES: Lifting capacities for various boom lengths, boom angles, luffing jib lengths, luffing jib angles, fixed jib lengths, and fixed jib operating radii are for freely suspended loads and do not exceed New York City criteria of 1.4 factor applied to total machine moment. Capacities based on structural competence are denoted by an asterisk (*).

190 Ft. boom length requires only the middle two sheaves in the lower boom point. All other sheaves must be removed from the lower boom point for 190 Ft. boom length. Lower boom point assembly must be completely removed on 200 Ft. boom length.

Weight of all load blocks, hooks, weight ball, slings, hoist lines, etc., beneath boom, luffing jib point and fixed jib point sheaves, is considered part of fixed jib load. Boom, luffing jib and fixed jib are not to be lowered beyond radii where combined weights are greater than rated capacity. Where no capacity is shown, operation is not intended or approved.

OPERATING CONDITIONS: Machine to operate on a firm uniformly supporting surface with gantry up and bearing turntable level within a tolerance of 1/2 in. in 10 Ft. and properly supported. During operation, boom must be maintained at one of the selected angles shown in chart. Refer to fixed jib assembly **No. 179361**, luffing jib assembly **No. 196199** (Boom No. 22EL) or **No. 196200** (Boom No. 82), Wire Rope Specification chart **No. 8247-B** and Luffing Jib Raising Procedure chart **No. 8248-B**. Crane operator judgment must be used to allow for dynamic load effects of swinging, hoisting or lowering, travel, wind conditions, as well as adverse operating conditions and physical machine depreciation. Refer to operators manual for operating guidelines.

MACHINE TRAVEL: Machine to travel on a firm, level and uniformly supporting surface with boom and luffing jib within angle range shown in capacity chart. Refer to Maximum Allowable Travel Specification chart **No. 8249-B**.

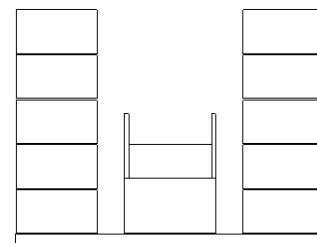
OPERATING RADIUS: Operating radius is horizontal distance from axis of rotation to center of vertical hoist line or load block. Boom angle is angle between horizontal and centerline of boom butt and inserts. Luffing jib angle is angle between horizontal and centerline of luffing jib butt and inserts, and is an indication of operating radius. In all cases, operating radius shall govern capacity.

FIXED JIB POINT ELEVATION: Fixed jib point elevation is vertical distance from ground level to centerline of fixed jib point shaft.

MACHINE EQUIPMENT: Machine equipped with 28 Ft. 2 in. crawlers, 48 in. treads, 10 Ft. 3 in. retractable gantry, 30 Ft. live mast, 20 part boom hoist reeving, boom support straps or four 1-3/8 in. boom pendants, 8 part luffing jib hoist reeving, two 1-1/2 in. luffing jib pendants and backstays, 219,600 Lb. crane counterweight, two 22,000 Lb. and two 18,000 Lb. carbody counterweights.

Maximum capacity on 26 mm wire rope is 27,500 Lbs. per line (20,000 Lbs. on 26 mm or 1 in. wire rope when auxiliary drum is used).

Consult Chart **No. 8272-A** for luffing jib capacities.



219,600 Lb. Crane Counterweight
10 Side Boxes - 1 Center Box

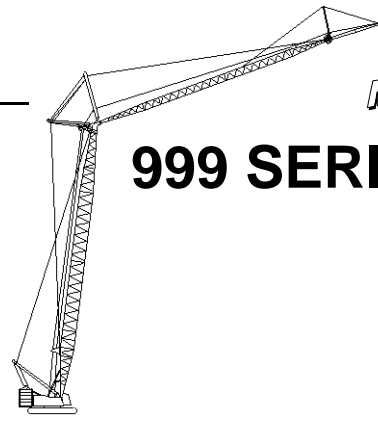


Liftcrane Fixed Jib Capacities

999 SERIES 3

New York City Code
 Fixed Jib No. 138 At
 3 Degree Offset Angle On
 Luffing Jib No. 135 On
 Boom No. 82 or 22EL
 219,600 Lb. Crane Counterweight
 80,000 Lb. Carbody Counterweight
 360 Degree Rating

Designed And Tested
 With The Intent To
 Be In The Scope of
 ANSI B30.5



160 Ft. Boom, 140 Ft. Luffing Jib, 30 Ft. Fixed Jib

Fixed Jib Oper. Rad. Feet	88 Degree Boom Angle			83 Degree Boom Angle			70 Degree Boom Angle			Fixed Jib Oper. Rad. Feet
	Luffing Jib Angle Degrees	Fixed Jib Point Elev. Feet	Fixed Jib Capacity Pounds	Luffing Jib Angle Degrees	Fixed Jib Point Elev. Feet	Fixed Jib Capacity Pounds	Luffing Jib Angle Degrees	Fixed Jib Point Elev. Feet	Fixed Jib Capacity Pounds	
60	74.8	332.4	27,500*							60
65	73.1	330.9	27,200*							65
70	71.3	329.3	26,900*							70
75	69.5	327.4	26,600*							75
80	67.7	325.4	26,400*							80
85	65.9	323.2	26,100*	70.9	327.6	27,000*				85
90	64.0	320.8	25,800*	69.1	325.7	26,800*				90
95	62.1	318.2	24,800*	67.3	323.7	26,600*				95
100	60.2	315.4	23,900*	65.5	321.4	26,400*				100
105	58.2	312.4	23,100*	63.6	319.0	26,000*				105
110	56.2	309.1	22,300*	61.7	316.3	25,000*				110
115	54.2	305.5	21,600*	59.8	313.5	24,100*				115
120	52.1	301.7	20,900*	57.8	310.4	23,300*				120
125	49.9	297.6	20,300*	55.8	307.0	22,500*				125
130	47.6	293.1	19,700*	53.7	303.4	21,800*				130
135	45.3	288.3	19,200*	51.6	299.5	21,100*				135
140	42.9	283.0	18,700*	49.4	295.3	20,500*				140
145	40.3	277.2	18,200*	47.1	290.8	19,900*				145
150	37.6	270.9	17,800*	44.8	285.8	19,400*				150
155	34.8	264.0	17,400*	42.3	280.5	18,800*	57.8	301.5	19,000	155
160	31.6	256.2	17,000*	39.7	274.6	18,400*	55.8	298.1	18,100	160
165	28.2	247.3	16,700*	37.0	268.2	17,900*	53.8	294.5	17,200	165
170	24.4	236.9	16,400*	34.1	261.0	17,500*	51.6	290.7	16,400	170
175	19.8	224.2	15,900*	30.9	253.0	17,100*	49.4	286.5	15,600	175
180	13.8	207.1	15,300*	27.4	243.8	16,800*	47.2	281.9	14,800	180
185				23.4	233.1	16,500*	44.8	277.0	14,200	185
190				18.6	219.7	16,200*	42.4	271.6	13,500	190
195				12.1	200.7	15,900*	39.8	265.8	12,900	195
200							37.1	259.4	12,300	200
205							34.2	252.2	11,700	205
210							31.0	244.2	11,200	210
220							23.5	224.4	10,200	220
230							12.3	192.3	9,200	230

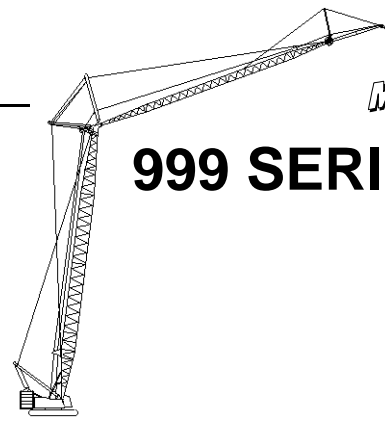


Liftcrane Fixed Jib Capacities

999 SERIES 3

New York City Code
 Fixed Jib No. 138 At
 3 Degree Offset Angle On
 Luffing Jib No. 135 On
 Boom No. 82 or 22EL
 219,600 Lb. Crane Counterweight
 80,000 Lb. Carbody Counterweight
 360 Degree Rating

Designed And Tested
 With The Intent To
 Be In The Scope of
 ANSI B30.5



160 Ft. Boom, 150 Ft. Luffing Jib, 30 Ft. Fixed Jib

Fixed Jib Oper. Rad. Feet	88 Degree Boom Angle			83 Degree Boom Angle			70 Degree Boom Angle			Fixed Jib Oper. Rad. Feet
	Luffing Jib Angle Degrees	Fixed Jib Point Elev. Feet	Fixed Jib Capacity Pounds	Luffing Jib Angle Degrees	Fixed Jib Point Elev. Feet	Fixed Jib Capacity Pounds	Luffing Jib Angle Degrees	Fixed Jib Point Elev. Feet	Fixed Jib Capacity Pounds	
60	75.7	342.8	27,000*							60
65	74.0	341.4	26,700*							65
70	72.4	339.8	26,400*							70
75	70.7	338.1	26,100*							75
80	69.0	336.2	25,900*							80
85	67.3	334.2	25,700*							85
90	65.6	331.9	25,300*	70.3	336.4	26,200*				90
95	63.8	329.5	24,400*	68.6	334.5	26,000*				95
100	62.0	326.9	23,500*	66.9	332.4	25,900*				100
105	60.2	324.1	22,700*	65.2	330.1	25,400*				105
110	58.3	321.0	22,000*	63.4	327.7	24,500*				110
115	56.4	317.8	21,300*	61.6	325.0	23,700*				115
120	54.5	314.3	20,600*	59.8	322.1	22,900*				120
125	52.5	310.5	20,000*	57.9	319.0	22,100*				125
130	50.5	306.4	19,500*	56.0	315.7	21,400*				130
135	48.4	302.1	18,900*	54.1	312.2	20,800*				135
140	46.2	297.4	18,500*	52.1	308.3	20,200*				140
145	44.0	292.3	18,000*	50.0	304.2	19,600*				145
150	41.6	286.8	17,600*	47.9	299.8	19,100*				150
155	39.1	280.8	17,200*	45.7	295.0	18,600*				155
160	36.5	274.2	16,800*	43.5	289.8	18,100*	58.0	310.2	17,900	160
165	33.7	267.0	16,500*	41.1	284.2	17,700*	56.1	306.8	17,000	165
170	30.7	258.9	16,100*	38.6	278.1	17,300*	54.1	303.3	16,200	170
175	27.4	249.7	15,700*	35.9	271.4	16,900*	52.1	299.5	15,400	175
180	23.7	239.0	15,100*	33.1	264.0	16,600*	50.1	295.4	14,700	180
185	19.2	225.9	14,500*	30.0	255.7	16,200*	48.0	290.9	14,000	185
190	13.4	208.2	14,000*	26.6	246.2	15,900*	45.8	286.2	13,300	190
195				22.8	235.0	15,700*	43.5	281.0	12,700	195
200				18.1	221.2	15,400*	41.1	275.4	12,100	200
205				11.7	201.7	15,200*	38.6	269.3	11,600	205
210							36.0	262.6	11,000	210
220							30.1	246.9	10,000	220
230							22.8	226.4	9,100	230
240							11.9	193.3	8,200	240

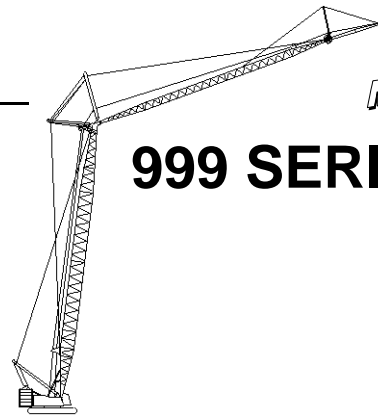


Liftcrane Fixed Jib Capacities

999 SERIES 3

New York City Code
 Fixed Jib No. 138 At
 3 Degree Offset Angle On
 Luffing Jib No. 135 On
 Boom No. 82 or 22EL
 219,600 Lb. Crane Counterweight
 80,000 Lb. Carbody Counterweight
 360 Degree Rating

Designed And Tested
 With The Intent To
 Be In The Scope of
 ANSI B30.5



160 Ft. Boom, 160 Ft. Luffing Jib, 30 Ft. Fixed Jib

Fixed Jib Oper. Rad. Feet	88 Degree Boom Angle			83 Degree Boom Angle			70 Degree Boom Angle			Fixed Jib Oper. Rad. Feet
	Luffing Jib Angle Degrees	Fixed Jib Point Elev. Feet	Fixed Jib Capacity Pounds	Luffing Jib Angle Degrees	Fixed Jib Point Elev. Feet	Fixed Jib Capacity Pounds	Luffing Jib Angle Degrees	Fixed Jib Point Elev. Feet	Fixed Jib Capacity Pounds	
65	74.9	351.8	26,000*							65
70	73.3	350.3	25,800*							70
75	71.7	348.7	25,600*							75
80	70.1	346.9	25,300*							80
85	68.5	345.0	25,100*							85
90	66.9	342.9	24,700*							90
95	65.3	340.6	23,800*	69.8	345.2	24,600*				95
100	63.6	338.2	23,000*	68.2	343.3	24,400*				100
105	61.9	335.6	22,300*	66.6	341.1	24,200*				105
110	60.2	332.7	21,600*	64.9	338.8	24,000*				110
115	58.4	329.7	20,900*	63.2	336.3	23,200*				115
120	56.6	326.5	20,300*	61.5	333.7	22,400*				120
125	54.8	323.0	19,700*	59.8	330.8	21,700*				125
130	52.9	319.3	19,200*	58.0	327.7	21,100*				130
135	51.0	315.3	18,700*	56.2	324.4	20,500*				135
140	49.0	311.0	18,200*	54.4	320.9	19,900*				140
145	47.0	306.4	17,800*	52.5	317.1	19,300*				145
150	44.9	301.5	17,400*	50.6	313.1	18,800*				150
155	42.7	296.2	17,000*	48.6	308.7	18,400*				155
160	40.4	290.5	16,600*	46.6	304.1	17,900*				160
165	38.0	284.3	16,300*	44.4	299.1	17,500*				165
170	35.5	277.4	15,900*	42.2	293.7	17,100*	56.3	315.5	15,600	170
175	32.8	269.9	15,300*	39.9	287.9	16,700*	54.4	312.0	14,900	175
180	29.9	261.5	14,800*	37.5	281.5	16,400*	52.6	308.3	14,100	180
185	26.7	252.0	14,200*	34.9	274.6	16,100*	50.6	304.2	13,500	185
190	23.0	241.0	13,700*	32.2	266.9	15,800*	48.7	299.9	12,800	190
195	18.7	227.5	13,200*	29.2	258.3	15,500*	46.6	295.2	12,200	195
200	13.0	209.3	12,800*	25.9	248.5	15,200*	44.5	290.3	11,600	200
205				22.1	237.0	15,000*	42.3	284.9	11,100	205
210				17.6	222.8	14,800*	40.0	279.0	10,500	210
220							35.0	265.8	9,500	220
230							29.3	249.5	8,600	230
240							22.2	228.3	7,800	240
250							11.6	194.3	7,000	250

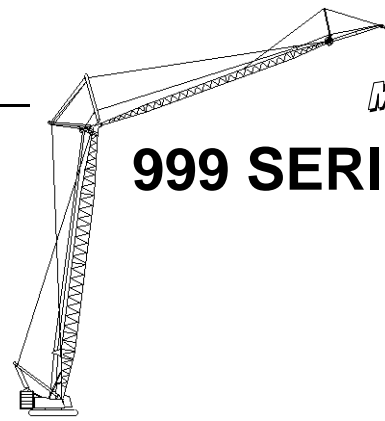


Liftcrane Fixed Jib Capacities

999 SERIES 3

New York City Code
Fixed Jib No. 138 At
3 Degree Offset Angle On
Luffing Jib No. 135 On
Boom No. 82 or 22EL
219,600 Lb. Crane Counterweight
80,000 Lb. Carbody Counterweight
360 Degree Rating

Designed And Tested
With The Intent To
Be In The Scope of
ANSI B30.5



160 Ft. Boom, 170 Ft. Luffing Jib, 30 Ft. Fixed Jib

Fixed Jib Oper. Rad. Feet	88 Degree Boom Angle			83 Degree Boom Angle			70 Degree Boom Angle			Fixed Jib Oper. Rad. Feet
	Luffing Jib Angle Degrees	Fixed Jib Point Elev. Feet	Fixed Jib Capacity Pounds	Luffing Jib Angle Degrees	Fixed Jib Point Elev. Feet	Fixed Jib Capacity Pounds	Luffing Jib Angle Degrees	Fixed Jib Point Elev. Feet	Fixed Jib Capacity Pounds	
65	75.7	362.2	23,700*							65
70	74.2	360.8	23,700*							70
75	72.7	359.2	23,200*							75
80	71.2	357.6	22,800*							80
85	69.7	355.7	22,600*							85
90	68.1	353.8	22,300*							90
95	66.6	351.6	22,000*	70.8	355.9	21,900*				95
100	65.0	349.3	21,800*	69.3	354.0	21,700*				100
105	63.4	346.9	21,500*	67.8	352.0	21,500*				105
110	61.8	344.2	21,100*	66.2	349.8	21,300*				110
115	60.2	341.4	20,400*	64.7	347.5	21,100*				115
120	58.5	338.4	19,900*	63.1	345.0	20,900*				120
125	56.8	335.1	19,300*	61.4	342.3	20,700*				125
130	55.1	331.7	18,800*	59.8	339.4	20,500*				130
135	53.3	328.0	18,300*	58.1	336.4	20,000*				135
140	51.5	324.1	17,900*	56.4	333.1	19,500*				140
145	49.6	319.9	17,500*	54.7	329.6	18,900*				145
150	47.7	315.5	17,100*	52.9	325.9	18,500*				150
155	45.8	310.7	16,700*	51.1	321.9	18,000*				155
160	43.7	305.5	16,300*	49.2	317.7	17,600*				160
165	41.6	300.0	15,900*	47.3	313.1	17,200*				165
170	39.4	294.1	15,400*	45.3	308.3	16,800*				170
175	37.0	287.6	14,900*	43.2	303.1	16,500*	56.5	324.2	14,500	175
180	34.6	280.5	14,300*	41.1	297.5	16,100*	54.7	320.7	13,800	180
185	31.9	272.8	13,800*	38.9	291.4	15,800*	53.0	317.0	13,100	185
190	29.1	264.1	13,400*	36.5	284.8	15,500*	51.1	313.1	12,400	190
195	26.0	254.3	12,900*	34.0	277.6	15,300*	49.3	308.8	11,800	195
200	22.4	243.0	12,500*	31.3	269.7	15,000*	47.3	304.3	11,200	200
205	18.2	229.1	12,100*	28.4	260.8	14,800*	45.4	299.4	10,700	205
210	12.7	210.4	11,800*	25.2	250.7	14,500*	43.3	294.2	10,200	210
220				17.1	224.2	14,200*	38.9	282.6	9,200	220
230							34.1	268.8	8,300	230
240							28.5	252.0	7,500	240
250							21.6	230.2	6,700	250
260							11.3	195.2	5,900	260



Liftcrane Fixed Jib Capacities

999 SERIES 3

New York City Code

Fixed Jib No. 138 At

3 Degree Offset Angle On

Luffing Jib No. 135 On

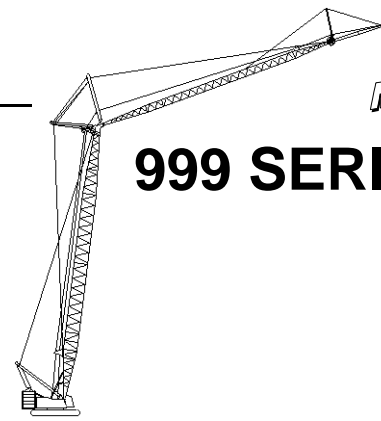
Boom No. 82 or 22EL

219,600 Lb. Crane Counterweight

80,000 Lb. Carbody Counterweight

360 Degree Rating

Designed And Tested
With The Intent To
Be In The Scope of
ANSI B30.5



160 Ft. Boom, 140 Ft. Luffing Jib, 40 Ft. Fixed Jib

Fixed Jib Oper. Rad. Feet	88 Degree Boom Angle			83 Degree Boom Angle			70 Degree Boom Angle			Fixed Jib Oper. Rad. Feet
	Luffing Jib Angle Degrees	Fixed Jib Point Elev. Feet	Fixed Jib Capacity Pounds	Luffing Jib Angle Degrees	Fixed Jib Point Elev. Feet	Fixed Jib Capacity Pounds	Luffing Jib Angle Degrees	Fixed Jib Point Elev. Feet	Fixed Jib Capacity Pounds	
65	74.4	341.3	22,700*							65
70	72.8	339.8	22,400*							70
75	71.1	338.1	22,200*							75
80	69.4	336.2	21,900*							80
85	67.7	334.1	21,700*							85
90	66.0	331.9	21,400*	70.7	336.4	22,300*				90
95	64.2	329.5	21,000*	69.0	334.4	22,000*				95
100	62.4	326.8	20,200*	67.3	332.3	21,800*				100
105	60.6	324.0	19,500*	65.6	330.1	21,600*				105
110	58.7	321.0	18,800*	63.8	327.6	21,100*				110
115	56.9	317.7	18,200*	62.0	324.9	20,400*				115
120	54.9	314.2	17,600*	60.2	322.1	19,600*				120
125	52.9	310.4	17,100*	58.3	319.0	18,900*				125
130	50.9	306.4	16,600*	56.4	315.7	18,300*				130
135	48.8	302.0	16,100*	54.5	312.1	17,700*				135
140	46.6	297.3	15,600*	52.5	308.3	17,200*				140
145	44.4	292.2	15,200*	50.4	304.1	16,700*				145
150	42.0	286.7	14,800*	48.3	299.7	16,200*				150
155	39.5	280.7	14,500*	46.1	294.9	15,700*				155
160	36.9	274.2	14,100*	43.9	289.8	15,300*				160
165	34.1	266.9	13,800*	41.5	284.2	14,900*	56.5	306.8	17,300	165
170	31.1	258.8	13,500*	39.0	278.0	14,600*	54.5	303.2	16,500	170
175	27.8	249.6	13,300*	36.3	271.3	14,200*	52.5	299.4	15,700	175
180	24.0	238.8	13,000*	33.5	263.9	13,900*	50.5	295.3	15,000	180
185	19.6	225.7	12,800*	30.4	255.6	13,600*	48.4	290.9	14,300	185
190	13.7	208.0	12,600*	27.0	246.1	13,400*	46.2	286.1	13,600	190
195				23.1	234.9	13,100*	43.9	280.9	13,000	195
200				18.5	221.1	12,900*	41.5	275.3	12,400	200
205				12.1	201.5	12,700*	39.0	269.2	11,900	205
210							36.4	262.5	11,300	210
220							30.5	246.8	10,300	220
230							23.2	226.2	9,400	230
240							12.2	193.1	8,500	240

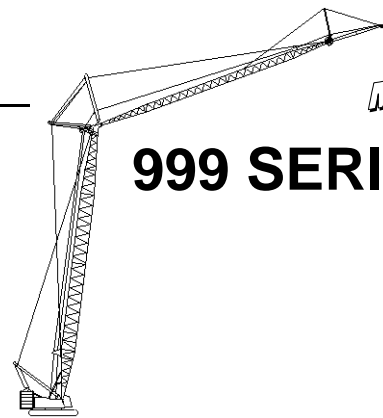


Liftcrane Fixed Jib Capacities

999 SERIES 3

New York City Code
Fixed Jib No. 138 At
3 Degree Offset Angle On
Luffing Jib No. 135 On
Boom No. 82 or 22EL
219,600 Lb. Crane Counterweight
80,000 Lb. Carbody Counterweight
360 Degree Rating

Designed And Tested
With The Intent To
Be In The Scope of
ANSI B30.5



160 Ft. Boom, 150 Ft. Luffing Jib, 40 Ft. Fixed Jib

Fixed Jib Oper. Rad. Feet	88 Degree Boom Angle			83 Degree Boom Angle			70 Degree Boom Angle			Fixed Jib Oper. Rad. Feet
	Luffing Jib Angle Degrees	Fixed Jib Point Elev. Feet	Fixed Jib Capacity Pounds	Luffing Jib Angle Degrees	Fixed Jib Point Elev. Feet	Fixed Jib Capacity Pounds	Luffing Jib Angle Degrees	Fixed Jib Point Elev. Feet	Fixed Jib Capacity Pounds	
65	75.3	351.8	22,300*							65
70	73.7	350.3	22,100*							70
75	72.1	348.7	21,800*							75
80	70.5	346.9	21,600*							80
85	68.9	344.9	21,400*							85
90	67.3	342.8	21,100*							90
95	65.7	340.6	20,600*	70.2	345.2	21,700*				95
100	64.0	338.1	19,800*	68.6	343.2	21,500*				100
105	62.3	335.5	19,200*	66.9	341.1	21,300*				105
110	60.6	332.7	18,500*	65.3	338.8	20,700*				110
115	58.8	329.6	17,900*	63.6	336.3	20,000*				115
120	57.0	326.4	17,300*	61.9	333.6	19,300*				120
125	55.2	322.9	16,800*	60.2	330.7	18,600*				125
130	53.3	319.2	16,300*	58.4	327.7	18,000*				130
135	51.4	315.2	15,800*	56.6	324.4	17,400*				135
140	49.4	311.0	15,400*	54.8	320.8	16,900*				140
145	47.4	306.4	15,000*	52.9	317.1	16,400*				145
150	45.3	301.5	14,600*	51.0	313.0	16,000*				150
155	43.1	296.1	14,300*	49.0	308.7	15,500*				155
160	40.8	290.4	13,900*	46.9	304.0	15,100*				160
165	38.4	284.2	13,600*	44.8	299.0	14,700*				165
170	35.9	277.4	13,300*	42.6	293.6	14,400*	56.7	315.5	16,300	170
175	33.2	269.8	13,100*	40.3	287.8	14,000*	54.8	312.0	15,500	175
180	30.2	261.4	12,800*	37.9	281.4	13,700*	52.9	308.2	14,800	180
185	27.0	251.9	12,600*	35.3	274.5	13,400*	51.0	304.2	14,100	185
190	23.4	240.9	12,400*	32.6	266.8	13,200*	49.0	299.8	13,400	190
195	19.0	227.3	12,200*	29.6	258.2	12,900*	47.0	295.2	12,800	195
200	13.4	209.1	12,000*	26.3	248.4	12,700*	44.9	290.2	12,200	200
205				22.5	236.9	12,500*	42.7	284.8	11,700	205
210				18.0	222.6	12,300*	40.4	279.0	11,200	210
220							35.4	265.7	10,200	220
230							29.6	249.4	9,300	230
240							22.6	228.2	8,400	240
250							11.9	194.0	7,600	250

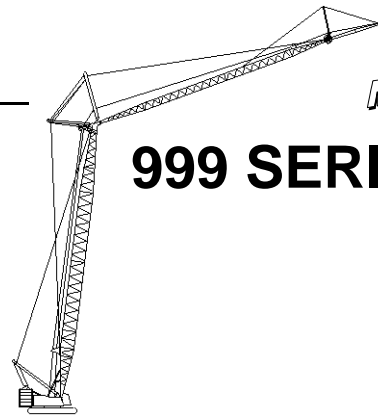


Liftcrane Fixed Jib Capacities

999 SERIES 3

New York City Code
 Fixed Jib No. 138 At
 3 Degree Offset Angle On
 Luffing Jib No. 135 On
 Boom No. 82 or 22EL
 219,600 Lb. Crane Counterweight
 80,000 Lb. Carbody Counterweight
 360 Degree Rating

Designed And Tested
 With The Intent To
 Be In The Scope of
 ANSI B30.5



160 Ft. Boom, 160 Ft. Luffing Jib, 40 Ft. Fixed Jib

Fixed Jib Oper. Rad. Feet	88 Degree Boom Angle			83 Degree Boom Angle			70 Degree Boom Angle			Fixed Jib Oper. Rad. Feet
	Luffing Jib Angle Degrees	Fixed Jib Point Elev. Feet	Fixed Jib Capacity Pounds	Luffing Jib Angle Degrees	Fixed Jib Point Elev. Feet	Fixed Jib Capacity Pounds	Luffing Jib Angle Degrees	Fixed Jib Point Elev. Feet	Fixed Jib Capacity Pounds	
70	74.5	360.7	21,600*							70
75	73.1	359.2	21,400*							75
80	71.6	357.5	21,100*							80
85	70.0	355.7	20,900*							85
90	68.5	353.7	20,700*							90
95	66.9	351.6	20,200*							95
100	65.4	349.3	19,500*	69.7	354.0	21,000*				100
105	63.8	346.8	18,800*	68.2	352.0	20,800*				105
110	62.2	344.2	18,200*	66.6	349.8	20,300*				110
115	60.5	341.3	17,600*	65.0	347.4	19,600*				115
120	58.9	338.3	17,100*	63.4	344.9	18,900*				120
125	57.2	335.1	16,500*	61.8	342.3	18,300*				125
130	55.4	331.6	16,100*	60.2	339.4	17,700*				130
135	53.7	328.0	15,600*	58.5	336.3	17,200*				135
140	51.9	324.0	15,200*	56.8	333.0	16,700*				140
145	50.0	319.9	14,800*	55.1	329.6	16,200*				145
150	48.1	315.4	14,500*	53.3	325.8	15,700*				150
155	46.1	310.6	14,100*	51.5	321.9	15,300*				155
160	44.1	305.5	13,800*	49.6	317.6	14,900*				160
165	41.9	299.9	13,500*	47.7	313.1	14,500*				165
170	39.7	294.0	13,200*	45.7	308.2	14,200*				170
175	37.4	287.5	12,900*	43.6	303.0	13,900*	56.8	324.2	15,000	175
180	34.9	280.5	12,700*	41.5	297.4	13,600*	55.1	320.7	14,300	180
185	32.3	272.7	12,400*	39.2	291.3	13,300*	53.3	317.0	13,600	185
190	29.4	264.0	12,200*	36.9	284.7	13,000*	51.5	313.0	12,900	190
195	26.3	254.2	12,000*	34.4	277.5	12,800*	49.6	308.8	12,300	195
200	22.8	242.8	11,800*	31.7	269.6	12,500*	47.7	304.2	11,700	200
205	18.5	228.9	11,700*	28.8	260.7	12,300*	45.7	299.4	11,200	205
210	13.0	210.1	11,300*	25.6	250.6	12,100*	43.7	294.2	10,700	210
220				17.5	224.1	11,700*	39.3	282.5	9,700	220
230							34.4	268.7	8,800	230
240							28.8	251.9	8,000	240
250							22.0	230.0	7,200	250
260							11.6	195.0	6,400	260

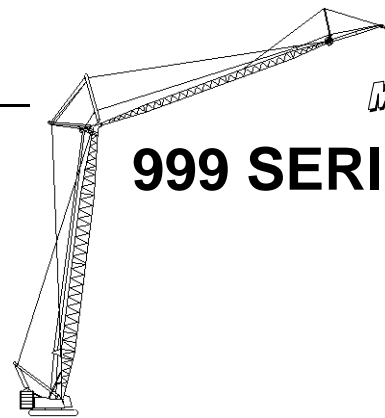


Liftcrane Fixed Jib Capacities

999 SERIES 3

New York City Code
Fixed Jib No. 138 At
3 Degree Offset Angle On
Luffing Jib No. 135 On
Boom No. 82 or 22EL
219,600 Lb. Crane Counterweight
80,000 Lb. Carbody Counterweight
360 Degree Rating

Designed And Tested
With The Intent To
Be In The Scope of
ANSI B30.5



160 Ft. Boom, 170 Ft. Luffing Jib, 40 Ft. Fixed Jib

Fixed Jib Oper. Rad. Feet	88 Degree Boom Angle			83 Degree Boom Angle			70 Degree Boom Angle			Fixed Jib Oper. Rad. Feet
	Luffing Jib Angle Degrees	Fixed Jib Point Elev. Feet	Fixed Jib Capacity Pounds	Luffing Jib Angle Degrees	Fixed Jib Point Elev. Feet	Fixed Jib Capacity Pounds	Luffing Jib Angle Degrees	Fixed Jib Point Elev. Feet	Fixed Jib Capacity Pounds	
70	75.3	371.1	20,800*							70
75	73.9	369.7	20,500*							75
80	72.5	368.1	20,300*							80
85	71.0	366.3	20,000*							85
90	69.6	364.5	19,700*							90
95	68.1	362.5	19,500*							95
100	66.6	360.3	19,000*	70.7	364.7	19,200*				100
105	65.1	358.0	18,400*	69.3	362.7	19,000*				105
110	63.6	355.5	17,800*	67.8	360.7	18,800*				110
115	62.1	352.8	17,200*	66.3	358.5	18,700*				115
120	60.5	350.0	16,700*	64.8	356.1	18,400*				120
125	58.9	347.0	16,200*	63.3	353.6	17,900*				125
130	57.3	343.8	15,700*	61.7	350.9	17,300*				130
135	55.7	340.3	15,300*	60.2	348.0	16,800*				135
140	54.0	336.7	14,900*	58.6	345.0	16,300*				140
145	52.3	332.9	14,500*	57.0	341.7	15,800*				145
150	50.5	328.7	14,200*	55.3	338.3	15,400*				150
155	48.7	324.4	13,800*	53.6	334.6	15,000*				155
160	46.8	319.7	13,500*	51.9	330.7	14,600*				160
165	44.9	314.7	13,200*	50.1	326.5	14,300*				165
170	42.9	309.4	13,000*	48.3	322.1	13,900*				170
175	40.9	303.6	12,700*	46.4	317.3	13,600*				175
180	38.7	297.5	12,500*	44.5	312.3	13,300*	57.0	332.9	13,900	180
185	36.4	290.8	12,200*	42.5	306.9	13,000*	55.3	329.4	13,200	185
190	34.0	283.5	12,000*	40.4	301.0	12,800*	53.7	325.7	12,500	190
195	31.5	275.5	11,800*	38.2	294.7	12,500*	51.9	321.8	11,900	195
200	28.7	266.5	11,600*	35.9	287.9	12,300*	50.2	317.7	11,400	200
205	25.6	256.4	11,400*	33.5	280.5	12,100*	48.3	313.2	10,800	205
210	22.2	244.7	11,100*	30.9	272.3	11,900*	46.5	308.5	10,300	210
220	12.7	211.2	10,400*	24.9	252.7	11,500*	42.5	298.0	9,300	220
230				17.0	225.5	11,200*	38.3	285.9	8,400	230
240							33.6	271.7	7,600	240
250							28.1	254.4	6,800	250
260							21.4	231.9	6,100	260
270							11.3	195.9	5,400	270

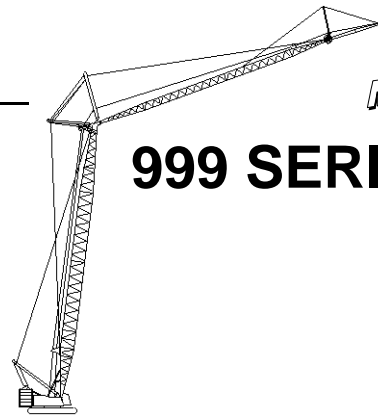


Liftcrane Fixed Jib Capacities

999 SERIES 3

New York City Code
 Fixed Jib No. 138 At
 3 Degree Offset Angle On
 Luffing Jib No. 135 On
 Boom No. 82 or 22EL
 219,600 Lb. Crane Counterweight
 80,000 Lb. Carbody Counterweight
 360 Degree Rating

Designed And Tested
 With The Intent To
 Be In The Scope of
 ANSI B30.5



160 Ft. Boom, 140 Ft. Luffing Jib, 50 Ft. Fixed Jib

Fixed Jib Oper. Rad. Feet	88 Degree Boom Angle			83 Degree Boom Angle			70 Degree Boom Angle			Fixed Jib Oper. Rad. Feet
	Luffing Jib Angle Degrees	Fixed Jib Point Elev. Feet	Fixed Jib Capacity Pounds	Luffing Jib Angle Degrees	Fixed Jib Point Elev. Feet	Fixed Jib Capacity Pounds	Luffing Jib Angle Degrees	Fixed Jib Point Elev. Feet	Fixed Jib Capacity Pounds	
65	75.4	351.8	19,500*							65
70	73.8	350.3	19,200*							70
75	72.2	348.7	18,900*							75
80	70.6	346.9	18,700*							80
85	69.0	345.0	18,400*							85
90	67.4	342.9	18,200*							90
95	65.8	340.6	18,000*	70.3	345.2	18,700*				95
100	64.1	338.1	17,700*	68.7	343.2	18,500*				100
105	62.4	335.5	17,200*	67.0	341.1	18,300*				105
110	60.7	332.7	16,600*	65.4	338.8	18,100*				110
115	58.9	329.6	16,000*	63.7	336.3	17,900*				115
120	57.1	326.4	15,500*	62.0	333.6	17,300*				120
125	55.3	322.9	15,000*	60.3	330.7	16,700*				125
130	53.4	319.2	14,500*	58.5	327.7	16,100*				130
135	51.5	315.2	14,100*	56.7	324.4	15,600*				135
140	49.5	311.0	13,700*	54.9	320.8	15,100*				140
145	47.5	306.4	13,300*	53.0	317.1	14,600*				145
150	45.4	301.5	12,900*	51.1	313.0	14,100*				150
155	43.2	296.2	12,600*	49.1	308.7	13,700*				155
160	40.9	290.4	12,300*	47.0	304.0	13,400*				160
165	38.5	284.2	12,000*	44.9	299.0	13,000*				165
170	36.0	277.4	11,700*	42.7	293.6	12,700*	56.8	315.5	15,600*	170
175	33.3	269.8	11,400*	40.4	287.8	12,300*	54.9	312.0	15,100*	175
180	30.3	261.5	11,200*	38.0	281.4	12,000*	53.0	308.2	14,700*	180
185	27.1	252.0	11,000*	35.4	274.5	11,800*	51.1	304.2	14,300*	185
190	23.5	240.9	10,800*	32.6	266.8	11,500*	49.1	299.8	13,700	190
195	19.1	227.4	10,600*	29.7	258.2	11,300*	47.1	295.2	13,100	195
200	13.5	209.1	10,400*	26.4	248.4	11,000*	45.0	290.2	12,500	200
205				22.6	236.9	10,800*	42.8	284.8	12,000	205
210				18.1	222.6	10,600*	40.5	279.0	11,400	210
220							35.5	265.7	10,400	220
230							29.7	249.4	9,500	230
240							22.7	228.2	8,700	240
250							12.0	194.1	7,900	250

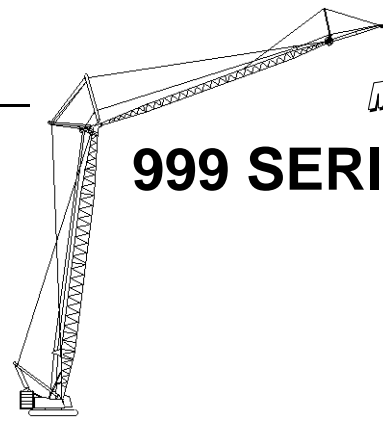


Liftcrane Fixed Jib Capacities

999 SERIES 3

New York City Code
 Fixed Jib No. 138 At
 3 Degree Offset Angle On
 Luffing Jib No. 135 On
 Boom No. 82 or 22EL
 219,600 Lb. Crane Counterweight
 80,000 Lb. Carbody Counterweight
 360 Degree Rating

Designed And Tested
 With The Intent To
 Be In The Scope of
 ANSI B30.5



160 Ft. Boom, 150 Ft. Luffing Jib, 50 Ft. Fixed Jib

Fixed Jib Oper. Rad. Feet	88 Degree Boom Angle			83 Degree Boom Angle			70 Degree Boom Angle			Fixed Jib Oper. Rad. Feet
	Luffing Jib Angle Degrees	Fixed Jib Point Elev. Feet	Fixed Jib Capacity Pounds	Luffing Jib Angle Degrees	Fixed Jib Point Elev. Feet	Fixed Jib Capacity Pounds	Luffing Jib Angle Degrees	Fixed Jib Point Elev. Feet	Fixed Jib Capacity Pounds	
70	74.6	360.7	18,900*							70
75	73.1	359.2	18,600*							75
80	71.6	357.5	18,400*							80
85	70.1	355.7	18,200*							85
90	68.6	353.7	18,000*							90
95	67.0	351.6	17,800*							95
100	65.5	349.3	17,500*	69.8	354.0	18,300*				100
105	63.9	346.8	16,900*	68.3	352.0	18,100*				105
110	62.3	344.2	16,300*	66.7	349.8	17,900*				110
115	60.6	341.3	15,700*	65.1	347.5	17,600*				115
120	59.0	338.3	15,200*	63.5	345.0	17,000*				120
125	57.3	335.1	14,700*	61.9	342.3	16,400*				125
130	55.5	331.6	14,300*	60.3	339.4	15,800*				130
135	53.8	328.0	13,900*	58.6	336.3	15,300*				135
140	52.0	324.1	13,500*	56.9	333.1	14,800*				140
145	50.1	319.9	13,100*	55.1	329.6	14,400*				145
150	48.2	315.4	12,700*	53.4	325.8	13,900*				150
155	46.2	310.6	12,400*	51.5	321.9	13,500*				155
160	44.2	305.5	12,100*	49.7	317.6	13,200*				160
165	42.0	300.0	11,800*	47.8	313.1	12,800*				165
170	39.8	294.0	11,500*	45.8	308.2	12,500*				170
175	37.5	287.5	11,300*	43.7	303.0	12,200*	56.9	324.2	14,800*	175
180	35.0	280.5	11,000*	41.6	297.4	11,900*	55.2	320.7	14,400*	180
185	32.4	272.7	10,800*	39.3	291.3	11,600*	53.4	317.0	14,000*	185
190	29.5	264.0	10,600*	37.0	284.7	11,300*	51.6	313.0	13,500	190
195	26.4	254.2	10,400*	34.5	277.5	11,100*	49.7	308.8	12,900	195
200	22.8	242.8	10,200*	31.8	269.6	10,900*	47.8	304.2	12,300	200
205	18.6	228.9	10,100*	28.9	260.7	10,600*	45.8	299.4	11,800	205
210	13.1	210.2	9,900*	25.7	250.6	10,500*	43.7	294.2	11,200	210
220				17.6	224.1	10,100*	39.4	282.5	10,300	220
230							34.5	268.7	9,400	230
240							28.9	252.0	8,500	240
250							22.1	230.1	7,800	250
260							11.7	195.0	7,000	260

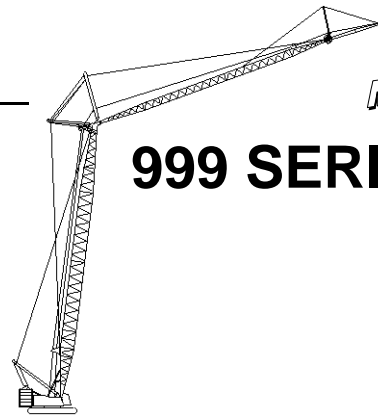


Liftcrane Fixed Jib Capacities

999 SERIES 3

New York City Code
 Fixed Jib No. 138 At
 3 Degree Offset Angle On
 Luffing Jib No. 135 On
 Boom No. 82 or 22EL
 219,600 Lb. Crane Counterweight
 80,000 Lb. Carbody Counterweight
 360 Degree Rating

Designed And Tested
 With The Intent To
 Be In The Scope of
 ANSI B30.5



160 Ft. Boom, 160 Ft. Luffing Jib, 50 Ft. Fixed Jib

Fixed Jib Oper. Rad. Feet	88 Degree Boom Angle			83 Degree Boom Angle			70 Degree Boom Angle			Fixed Jib Oper. Rad. Feet
	Luffing Jib Angle Degrees	Fixed Jib Point Elev. Feet	Fixed Jib Capacity Pounds	Luffing Jib Angle Degrees	Fixed Jib Point Elev. Feet	Fixed Jib Capacity Pounds	Luffing Jib Angle Degrees	Fixed Jib Point Elev. Feet	Fixed Jib Capacity Pounds	
70	75.4	371.1	18,500*							70
75	74.0	369.7	18,300*							75
80	72.5	368.1	18,100*							80
85	71.1	366.4	17,900*							85
90	69.7	364.5	17,700*							90
95	68.2	362.5	17,500*							95
100	66.7	360.3	17,200*	70.8	364.7	17,600*				100
105	65.2	358.0	16,600*	69.3	362.8	17,300*				105
110	63.7	355.5	16,000*	67.9	360.7	17,100*				110
115	62.2	352.8	15,500*	66.4	358.5	16,900*				115
120	60.6	350.0	15,000*	64.9	356.1	16,700*				120
125	59.0	347.0	14,500*	63.4	353.6	16,100*				125
130	57.4	343.8	14,100*	61.8	350.9	15,600*				130
135	55.8	340.4	13,700*	60.3	348.1	15,100*				135
140	54.1	336.7	13,300*	58.7	345.0	14,600*				140
145	52.4	332.9	12,900*	57.0	341.7	14,200*				145
150	50.6	328.8	12,600*	55.4	338.3	13,700*				150
155	48.8	324.4	12,200*	53.7	334.6	13,300*				155
160	46.9	319.7	11,900*	52.0	330.7	13,000*				160
165	45.0	314.7	11,700*	50.2	326.5	12,600*				165
170	43.0	309.4	11,400*	48.4	322.1	12,300*				170
175	41.0	303.7	11,100*	46.5	317.3	12,000*				175
180	38.8	297.5	10,900*	44.6	312.3	11,700*	57.1	332.9	14,100*	180
185	36.5	290.8	10,700*	42.6	306.9	11,500*	55.4	329.4	13,600	185
190	34.1	283.5	10,500*	40.5	301.0	11,200*	53.7	325.7	13,000	190
195	31.6	275.5	10,300*	38.3	294.8	11,000*	52.0	321.8	12,400	195
200	28.8	266.6	10,100*	36.0	287.9	10,700*	50.2	317.7	11,800	200
205	25.7	256.5	9,900*	33.6	280.5	10,500*	48.4	313.2	11,300	205
210	22.3	244.7	9,800*	31.0	272.3	10,300*	46.6	308.5	10,700	210
220	12.8	211.2	9,500*	25.0	252.8	10,000*	42.6	298.0	9,800	220
230				17.1	225.5	9,700*	38.4	285.9	8,900	230
240							33.6	271.7	8,100	240
250							28.2	254.4	7,300	250
260							21.5	231.9	6,600	260
270							11.4	195.9	5,900	270

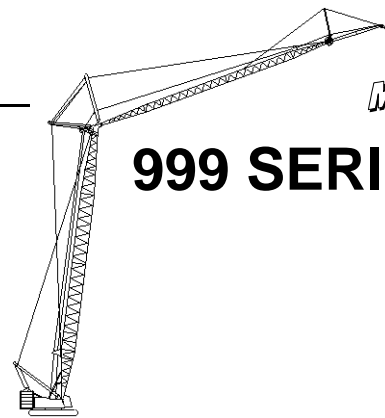


Liftcrane Fixed Jib Capacities

999 SERIES 3

New York City Code
Fixed Jib No. 138 At
3 Degree Offset Angle On
Luffing Jib No. 135 On
Boom No. 82 or 22EL
219,600 Lb. Crane Counterweight
80,000 Lb. Carbody Counterweight
360 Degree Rating

Designed And Tested
With The Intent To
Be In The Scope of
ANSI B30.5



160 Ft. Boom, 170 Ft. Luffing Jib, 50 Ft. Fixed Jib

Fixed Jib Oper. Rad. Feet	88 Degree Boom Angle			83 Degree Boom Angle			70 Degree Boom Angle			Fixed Jib Oper. Rad. Feet
	Luffing Jib Angle Degrees	Fixed Jib Point Elev. Feet	Fixed Jib Capacity Pounds	Luffing Jib Angle Degrees	Fixed Jib Point Elev. Feet	Fixed Jib Capacity Pounds	Luffing Jib Angle Degrees	Fixed Jib Point Elev. Feet	Fixed Jib Capacity Pounds	
75	74.7	380.1	17,400*							75
80	73.4	378.6	17,100*							80
85	72.0	376.9	16,900*							85
90	70.6	375.2	16,700*							90
95	69.2	373.3	16,400*							95
100	67.8	371.2	16,200*							100
105	66.4	369.0	16,000*	70.3	373.5	16,200*				105
110	65.0	366.7	15,700*	68.9	371.5	16,000*				110
115	63.5	364.2	15,200*	67.5	369.4	15,800*				115
120	62.1	361.5	14,700*	66.1	367.2	15,600*				120
125	60.6	358.7	14,200*	64.7	364.8	15,400*				125
130	59.1	355.6	13,800*	63.2	362.3	15,200*				130
135	57.5	352.5	13,400*	61.7	359.6	14,700*				135
140	56.0	349.1	13,000*	60.2	356.7	14,300*				140
145	54.4	345.5	12,700*	58.7	353.7	13,900*				145
150	52.7	341.7	12,300*	57.2	350.4	13,500*				150
155	51.1	337.6	12,000*	55.6	347.0	13,100*				155
160	49.3	333.3	11,700*	54.0	343.4	12,700*				160
165	47.6	328.8	11,500*	52.4	339.5	12,400*				165
170	45.8	323.9	11,200*	50.7	335.4	12,100*				170
175	43.9	318.7	10,900*	49.0	331.0	11,800*				175
180	42.0	313.2	10,700*	47.2	326.4	11,500*				180
185	40.0	307.2	10,500*	45.4	321.5	11,300*	57.2	341.5	13,000*	185
190	37.9	300.9	10,300*	43.5	316.2	11,000*	55.6	338.1	12,600	190
195	35.7	294.0	10,100*	41.5	310.6	10,800*	54.0	334.5	12,000	195
200	33.3	286.4	9,900*	39.5	304.6	10,500*	52.4	330.6	11,400	200
205	30.8	278.2	9,700*	37.4	298.1	10,300*	50.7	326.5	10,900	205
210	28.1	269.0	9,600*	35.2	291.1	10,100*	49.0	322.2	10,400	210
220	21.7	246.6	9,300*	30.2	275.0	9,800*	45.4	312.7	9,400	220
230	12.4	212.2	9,100*	24.4	254.9	9,500*	41.6	301.8	8,500	230
240				16.7	226.9	9,200*	37.4	289.3	7,700	240
250							32.8	274.6	7,000	250
260							27.5	256.8	6,300	260
270							21.0	233.7	5,600	270
280							11.1	196.8	4,900	280

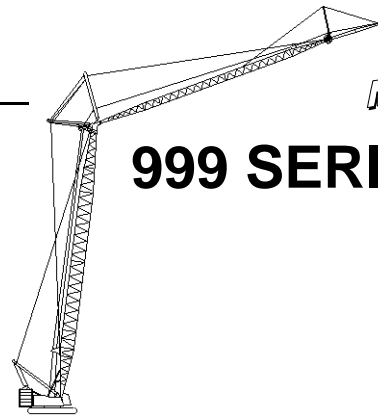


Liftcrane Fixed Jib Capacities

999 SERIES 3

New York City Code
 Fixed Jib No. 138 At
 3 Degree Offset Angle On
 Luffing Jib No. 135 On
 Boom No. 82 or 22EL
 219,600 Lb. Crane Counterweight
 80,000 Lb. Carbody Counterweight
 360 Degree Rating

Designed And Tested
 With The Intent To
 Be In The Scope of
 ANSI B30.5



160 Ft. Boom, 140 Ft. Luffing Jib, 60 Ft. Fixed Jib

Fixed Jib Oper. Rad. Feet	88 Degree Boom Angle			83 Degree Boom Angle			70 Degree Boom Angle			Fixed Jib Oper. Rad. Feet
	Luffing Jib Angle Degrees	Fixed Jib Point Elev. Feet	Fixed Jib Capacity Pounds	Luffing Jib Angle Degrees	Fixed Jib Point Elev. Feet	Fixed Jib Capacity Pounds	Luffing Jib Angle Degrees	Fixed Jib Point Elev. Feet	Fixed Jib Capacity Pounds	
65	75.9	362.2	16,700*							65
70	74.4	360.8	16,400*							70
75	73.0	359.2	16,000*							75
80	71.4	357.6	15,700*							80
85	69.9	355.7	15,400*							85
90	68.4	353.8	15,000*							90
95	66.8	351.6	14,700*							95
100	65.3	349.3	14,400*	69.6	354.0	15,100*				100
105	63.7	346.9	14,100*	68.1	352.0	14,800*				105
110	62.1	344.2	13,800*	66.5	349.8	14,600*				110
115	60.4	341.4	13,500*	64.9	347.5	14,200*				115
120	58.8	338.4	13,300*	63.3	345.0	13,900*				120
125	57.1	335.1	13,000*	61.7	342.3	13,600*				125
130	55.3	331.7	12,800*	60.1	339.4	13,400*				130
135	53.6	328.0	12,600*	58.4	336.4	13,200*				135
140	51.8	324.1	12,200*	56.7	333.1	12,900*				140
145	49.9	319.9	11,900*	55.0	329.6	12,700*				145
150	48.0	315.5	11,600*	53.2	325.9	12,500*				150
155	46.0	310.7	11,200*	51.4	321.9	12,300*				155
160	44.0	305.5	10,900*	49.5	317.7	12,000*				160
165	41.9	300.0	10,700*	47.6	313.1	11,600*				165
170	39.6	294.1	10,400*	45.6	308.3	11,300*				170
175	37.3	287.6	10,100*	43.5	303.1	11,000*	56.7	324.2	12,300*	175
180	34.8	280.5	9,900*	41.4	297.5	10,700*	55.0	320.7	12,100*	180
185	32.2	272.8	9,700*	39.1	291.4	10,500*	53.2	317.0	12,000*	185
190	29.4	264.1	9,500*	36.8	284.8	10,200*	51.4	313.1	11,900*	190
195	26.2	254.3	9,300*	34.3	277.6	10,000*	49.5	308.8	11,700*	195
200	22.7	243.0	9,100*	31.6	269.7	9,700*	47.6	304.3	11,600*	200
205	18.5	229.1	8,800*	28.7	260.8	9,500*	45.6	299.4	11,400*	205
210	13.0	210.4	8,600*	25.5	250.7	9,300*	43.6	294.2	11,100*	210
220				17.4	224.2	9,000*	39.2	282.6	10,500	220
230							34.3	268.8	9,600	230
240							28.8	252.0	8,800	240
250							21.9	230.2	8,000	250
260							11.5	195.2	7,300	260

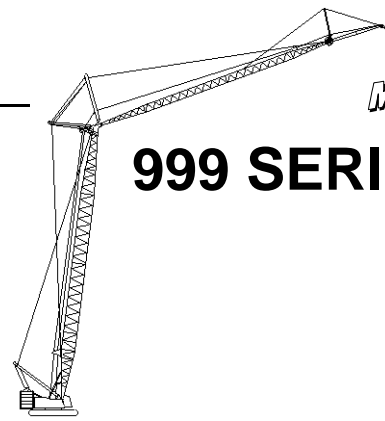


Liftcrane Fixed Jib Capacities

999 SERIES 3

New York City Code
Fixed Jib No. 138 At
3 Degree Offset Angle On
Luffing Jib No. 135 On
Boom No. 82 or 22EL
219,600 Lb. Crane Counterweight
80,000 Lb. Carbody Counterweight
360 Degree Rating

Designed And Tested
With The Intent To
Be In The Scope of
ANSI B30.5



160 Ft. Boom, 150 Ft. Luffing Jib, 60 Ft. Fixed Jib

Fixed Jib Oper. Rad. Feet	88 Degree Boom Angle			83 Degree Boom Angle			70 Degree Boom Angle			Fixed Jib Oper. Rad. Feet
	Luffing Jib Angle Degrees	Fixed Jib Point Elev. Feet	Fixed Jib Capacity Pounds	Luffing Jib Angle Degrees	Fixed Jib Point Elev. Feet	Fixed Jib Capacity Pounds	Luffing Jib Angle Degrees	Fixed Jib Point Elev. Feet	Fixed Jib Capacity Pounds	
70	75.2	371.2	15,800*							70
75	73.8	369.7	15,500*							75
80	72.4	368.1	15,200*							80
85	70.9	366.4	14,900*							85
90	69.5	364.5	14,600*							90
95	68.0	362.5	14,300*							95
100	66.5	360.3	14,000*	70.6	364.7	14,600*				100
105	65.0	358.0	13,700*	69.2	362.8	14,300*				105
110	63.5	355.5	13,500*	67.7	360.8	14,000*				110
115	62.0	352.9	13,200*	66.2	358.6	13,800*				115
120	60.4	350.0	13,000*	64.7	356.2	13,500*				120
125	58.8	347.0	12,800*	63.2	353.7	13,300*				125
130	57.2	343.8	12,500*	61.6	351.0	13,100*				130
135	55.6	340.4	12,300*	60.1	348.1	12,900*				135
140	53.9	336.8	12,100*	58.5	345.1	12,600*				140
145	52.2	332.9	11,700*	56.9	341.8	12,500*				145
150	50.4	328.8	11,400*	55.2	338.3	12,200*				150
155	48.6	324.4	11,100*	53.5	334.7	12,000*				155
160	46.8	319.8	10,800*	51.8	330.7	11,800*				160
165	44.8	314.8	10,500*	50.0	326.6	11,500*				165
170	42.9	309.4	10,200*	48.2	322.1	11,200*				170
175	40.8	303.7	10,000*	46.3	317.4	10,900*				175
180	38.6	297.5	9,800*	44.4	312.4	10,600*	56.9	332.9	11,700*	180
185	36.4	290.9	9,500*	42.4	306.9	10,300*	55.2	329.5	11,600*	185
190	34.0	283.6	9,300*	40.3	301.1	10,100*	53.6	325.8	11,500*	190
195	31.4	275.6	9,100*	38.1	294.8	9,800*	51.8	321.9	11,400*	195
200	28.6	266.6	9,000*	35.8	288.0	9,600*	50.1	317.7	11,300*	200
205	25.6	256.6	8,800*	33.4	280.6	9,400*	48.3	313.3	11,200*	205
210	22.1	244.9	8,600*	30.8	272.4	9,200*	46.4	308.6	10,900*	210
220	12.6	211.4	8,400*	24.8	252.9	8,800*	42.5	298.1	10,300	220
230				17.0	225.7	8,500*	38.2	286.0	9,400	230
240							33.5	271.8	8,600	240
250							28.0	254.5	7,900	250
260							21.4	232.0	7,100	260
270							11.2	196.2	6,500	270

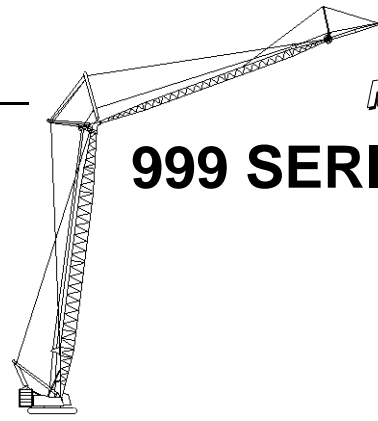


Liftcrane Fixed Jib Capacities

999 SERIES 3

New York City Code
 Fixed Jib No. 138 At
 3 Degree Offset Angle On
 Luffing Jib No. 135 On
 Boom No. 82 or 22EL
 219,600 Lb. Crane Counterweight
 80,000 Lb. Carbody Counterweight
 360 Degree Rating

Designed And Tested
 With The Intent To
 Be In The Scope of
 ANSI B30.5



160 Ft. Boom, 160 Ft. Luffing Jib, 60 Ft. Fixed Jib

Fixed Jib Oper. Rad. Feet	88 Degree Boom Angle			83 Degree Boom Angle			70 Degree Boom Angle			Fixed Jib Oper. Rad. Feet
	Luffing Jib Angle Degrees	Fixed Jib Point Elev. Feet	Fixed Jib Capacity Pounds	Luffing Jib Angle Degrees	Fixed Jib Point Elev. Feet	Fixed Jib Capacity Pounds	Luffing Jib Angle Degrees	Fixed Jib Point Elev. Feet	Fixed Jib Capacity Pounds	
70	75.9	381.5	15,200*							70
75	74.5	380.1	14,900*							75
80	73.2	378.6	14,600*							80
85	71.8	377.0	14,300*							85
90	70.4	375.2	14,100*							90
95	69.1	373.3	13,800*							95
100	67.7	371.3	13,600*							100
105	66.2	369.1	13,300*	70.1	373.5	13,800*				105
110	64.8	366.7	13,000*	68.8	371.6	13,600*				110
115	63.4	364.2	12,800*	67.3	369.5	13,300*				115
120	61.9	361.5	12,600*	65.9	367.3	13,100*				120
125	60.4	358.7	12,400*	64.5	364.9	12,900*				125
130	58.9	355.7	12,200*	63.0	362.3	12,700*				130
135	57.3	352.5	12,000*	61.6	359.6	12,500*				135
140	55.8	349.1	11,800*	60.1	356.8	12,300*				140
145	54.2	345.5	11,600*	58.5	353.7	12,100*				145
150	52.6	341.7	11,300*	57.0	350.5	11,900*				150
155	50.9	337.7	10,900*	55.4	347.1	11,700*				155
160	49.2	333.4	10,700*	53.8	343.4	11,600*				160
165	47.4	328.8	10,400*	52.2	339.6	11,300*				165
170	45.6	324.0	10,100*	50.5	335.5	11,000*				170
175	43.7	318.8	9,900*	48.8	331.1	10,700*				175
180	41.8	313.2	9,600*	47.0	326.5	10,400*				180
185	39.8	307.3	9,400*	45.2	321.6	10,200*	57.0	341.6	11,100*	185
190	37.7	300.9	9,200*	43.3	316.3	9,900*	55.5	338.2	11,000*	190
195	35.5	294.0	9,000*	41.4	310.7	9,700*	53.9	334.5	10,900*	195
200	33.1	286.5	8,800*	39.3	304.7	9,500*	52.2	330.7	10,800*	200
205	30.6	278.3	8,700*	37.2	298.2	9,300*	50.5	326.6	10,800*	205
210	27.9	269.1	8,500*	35.0	291.1	9,100*	48.8	322.2	10,700*	210
220	21.6	246.7	8,200*	30.1	275.0	8,700*	45.2	312.7	9,800	220
230	12.3	212.5	8,000*	24.3	255.0	8,400*	41.4	301.9	8,900	230
240				16.6	227.1	8,100*	37.3	289.4	8,100	240
250							32.7	274.7	7,400	250
260							27.4	256.9	6,700	260
270							20.8	233.8	6,000	270
280							11.0	197.1	5,400	280

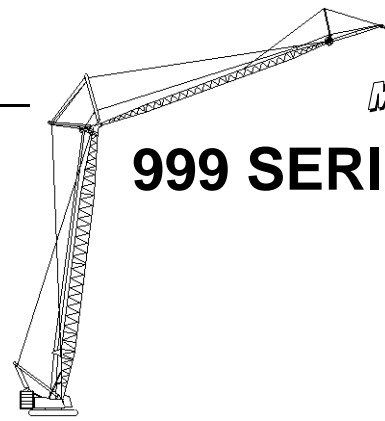


Liftcrane Fixed Jib Capacities

999 SERIES 3

New York City Code
Fixed Jib No. 138 At
3 Degree Offset Angle On
Luffing Jib No. 135 On
Boom No. 82 or 22EL
219,600 Lb. Crane Counterweight
80,000 Lb. Carbody Counterweight
360 Degree Rating

Designed And Tested
With The Intent To
Be In The Scope of
ANSI B30.5



160 Ft. Boom, 170 Ft. Luffing Jib, 60 Ft. Fixed Jib

Fixed Jib Oper. Rad. Feet	88 Degree Boom Angle			83 Degree Boom Angle			70 Degree Boom Angle			Fixed Jib Oper. Rad. Feet
	Luffing Jib Angle Degrees	Fixed Jib Point Elev. Feet	Fixed Jib Capacity Pounds	Luffing Jib Angle Degrees	Fixed Jib Point Elev. Feet	Fixed Jib Capacity Pounds	Luffing Jib Angle Degrees	Fixed Jib Point Elev. Feet	Fixed Jib Capacity Pounds	
75	75.2	390.5	14,200*							75
80	73.9	389.1	13,900*							80
85	72.6	387.5	13,700*							85
90	71.3	385.8	13,500*							90
95	70.0	384.0	13,300*							95
100	68.7	382.1	13,000*							100
105	67.3	380.0	12,800*							105
110	66.0	377.8	12,600*	69.7	382.3	13,000*				110
115	64.6	375.4	12,400*	68.4	380.3	12,800*				115
120	63.2	372.9	12,200*	67.0	378.2	12,600*				120
125	61.8	370.2	12,000*	65.7	376.0	12,400*				125
130	60.4	367.4	11,800*	64.3	373.6	12,200*				130
135	58.9	364.4	11,600*	62.9	371.0	12,000*				135
140	57.5	361.2	11,400*	61.5	368.3	11,800*				140
145	56.0	357.8	11,300*	60.1	365.4	11,700*				145
150	54.4	354.3	11,100*	58.6	362.4	11,500*				150
155	52.9	350.5	10,800*	57.1	359.2	11,300*				155
160	51.3	346.5	10,500*	55.6	355.8	11,200*				160
165	49.7	342.3	10,200*	54.1	352.2	11,100*				165
170	48.0	337.8	10,000*	52.5	348.3	10,800*				170
175	46.3	333.1	9,700*	51.0	344.3	10,500*				175
180	44.5	328.0	9,500*	49.3	340.0	10,300*				180
185	42.7	322.7	9,300*	47.6	335.5	10,000*				185
190	40.8	317.0	9,100*	45.9	330.7	9,800*	57.2	350.3	10,500*	190
195	38.9	310.8	8,900*	44.2	325.6	9,500*	55.7	346.9	10,400*	195
200	36.8	304.2	8,700*	42.3	320.2	9,300*	54.1	343.3	10,400*	200
205	34.7	297.1	8,500*	40.4	314.3	9,100*	52.6	339.5	10,300*	205
210	32.4	289.4	8,400*	38.4	308.1	8,900*	51.0	335.4	10,200*	210
220	27.3	271.5	8,100*	34.2	294.2	8,600*	47.7	326.7	9,400	220
230	21.1	248.5	7,800*	29.4	277.6	8,300*	44.2	316.8	8,600	230
240	12.0	213.5	7,600*	23.7	257.0	8,000*	40.5	305.5	7,800	240
250				16.2	228.5	7,700*	36.4	292.6	7,000	250
260							31.9	277.5	6,300	260
270							26.7	259.2	5,700	270
280							20.4	235.6	5,100	280
290							10.7	198.0	4,500	290

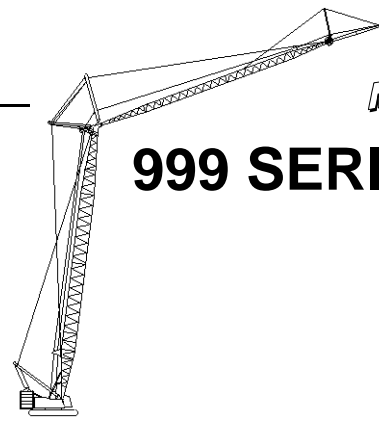


Liftcrane Fixed Jib Capacities

999 SERIES 3

New York City Code
 Fixed Jib No. 138 At
 3 Degree Offset Angle On
 Luffing Jib No. 135 On
 Boom No. 82 or 22EL
 219,600 Lb. Crane Counterweight
 80,000 Lb. Carbody Counterweight
 360 Degree Rating

Designed And Tested
 With The Intent To
 Be In The Scope of
 ANSI B30.5



170 Ft. Boom, 140 Ft. Luffing Jib, 30 Ft. Fixed Jib

Fixed Jib Oper. Rad. Feet	88 Degree Boom Angle			83 Degree Boom Angle			70 Degree Boom Angle			Fixed Jib Oper. Rad. Feet
	Luffing Jib Angle Degrees	Fixed Jib Point Elev. Feet	Fixed Jib Capacity Pounds	Luffing Jib Angle Degrees	Fixed Jib Point Elev. Feet	Fixed Jib Capacity Pounds	Luffing Jib Angle Degrees	Fixed Jib Point Elev. Feet	Fixed Jib Capacity Pounds	
60	74.9	342.5	27,400*							60
65	73.2	341.0	27,100*							65
70	71.4	339.4	26,800*							70
75	69.6	337.6	26,500*							75
80	67.8	335.6	26,300*							80
85	66.0	333.4	26,000*							85
90	64.1	331.0	25,800*	69.6	336.1	26,700*				90
95	62.3	328.4	25,000*	67.7	334.1	26,500*				95
100	60.3	325.6	24,100*	65.9	331.9	26,300*				100
105	58.4	322.6	23,300*	64.1	329.5	26,100*				105
110	56.4	319.3	22,500*	62.2	326.9	25,200*				110
115	54.3	315.8	21,700*	60.2	324.1	24,300*				115
120	52.2	312.0	21,100*	58.3	321.1	23,500*				120
125	50.0	307.9	20,400*	56.3	317.8	22,700*				125
130	47.8	303.4	19,900*	54.2	314.2	22,000*				130
135	45.5	298.6	19,300*	52.1	310.4	21,300*				135
140	43.1	293.4	18,800*	49.9	306.3	20,600*				140
145	40.5	287.7	18,300*	47.7	301.8	20,100*				145
150	37.8	281.4	17,900*	45.4	297.0	19,500*				150
155	35.0	274.5	17,500*	42.9	291.8	19,000*				155
160	31.9	266.7	17,100*	40.4	286.0	18,500*	57.2	309.9	16,900	160
165	28.5	257.9	16,800*	37.7	279.7	18,100*	55.2	306.4	16,100	165
170	24.7	247.7	16,300*	34.8	272.8	17,600*	53.1	302.7	15,300	170
175	20.1	235.2	15,600*	31.7	265.0	17,200*	51.0	298.8	14,600	175
180	14.3	218.5	15,100*	28.3	256.1	16,900*	48.7	294.5	13,900	180
185				24.5	245.8	16,600*	46.5	289.8	13,200	185
190				19.9	233.2	16,300*	44.1	284.8	12,600	190
195				14.0	216.2	16,000*	41.6	279.2	12,000	195
200							39.0	273.2	11,400	200
205							36.2	266.6	10,900	205
210							33.2	259.2	10,300	210
220							26.3	241.3	9,400	220
230							17.0	215.4	8,400	230

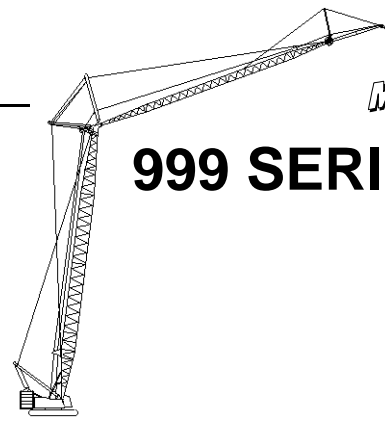


Liftcrane Fixed Jib Capacities

999 SERIES 3

New York City Code
Fixed Jib No. 138 At
3 Degree Offset Angle On
Luffing Jib No. 135 On
Boom No. 82 or 22EL
219,600 Lb. Crane Counterweight
80,000 Lb. Carbody Counterweight
360 Degree Rating

Designed And Tested
With The Intent To
Be In The Scope of
ANSI B30.5



170 Ft. Boom, 150 Ft. Luffing Jib, 30 Ft. Fixed Jib

Fixed Jib Oper. Rad. Feet	88 Degree Boom Angle			83 Degree Boom Angle			70 Degree Boom Angle			Fixed Jib Oper. Rad. Feet
	Luffing Jib Angle Degrees	Fixed Jib Point Elev. Feet	Fixed Jib Capacity Pounds	Luffing Jib Angle Degrees	Fixed Jib Point Elev. Feet	Fixed Jib Capacity Pounds	Luffing Jib Angle Degrees	Fixed Jib Point Elev. Feet	Fixed Jib Capacity Pounds	
60	75.8	352.9	26,800*							60
65	74.1	351.5	26,500*							65
70	72.5	349.9	26,300*							70
75	70.8	348.2	26,000*							75
80	69.1	346.4	25,800*							80
85	67.4	344.3	25,600*							85
90	65.7	342.1	25,400*	70.7	346.8	26,100*				90
95	63.9	339.7	24,500*	69.0	344.9	25,900*				95
100	62.1	337.1	23,700*	67.3	342.9	25,800*				100
105	60.3	334.3	22,900*	65.6	340.6	25,600*				105
110	58.5	331.2	22,100*	63.8	338.2	24,700*				110
115	56.6	328.0	21,400*	62.0	335.6	23,800*				115
120	54.6	324.5	20,800*	60.2	332.8	23,100*				120
125	52.7	320.8	20,200*	58.4	329.7	22,300*				125
130	50.6	316.7	19,600*	56.5	326.5	21,600*				130
135	48.5	312.4	19,100*	54.6	323.0	21,000*				135
140	46.4	307.7	18,600*	52.6	319.2	20,300*				140
145	44.1	302.7	18,100*	50.5	315.2	19,800*				145
150	41.8	297.2	17,700*	48.4	310.8	19,200*				150
155	39.3	291.2	17,300*	46.3	306.1	18,700*				155
160	36.7	284.7	16,900*	44.0	301.1	18,300*				160
165	33.9	277.5	16,500*	41.7	295.6	17,800*	57.4	318.5	15,900	165
170	30.9	269.5	16,100*	39.2	289.6	17,400*	55.5	315.1	15,100	170
175	27.6	260.4	15,400*	36.6	283.0	17,000*	53.5	311.5	14,400	175
180	23.9	249.8	14,800*	33.8	275.8	16,700*	51.5	307.6	13,700	180
185	19.6	236.9	14,200*	30.8	267.7	16,300*	49.4	303.4	13,000	185
190	13.9	219.7	13,800*	27.5	258.6	16,000*	47.3	298.9	12,400	190
195				23.8	247.9	15,700*	45.1	294.0	11,800	195
200				19.3	234.9	15,500*	42.8	288.7	11,200	200
205				13.6	217.3	15,300*	40.3	282.9	10,700	205
210							37.8	276.7	10,200	210
220							32.2	262.1	9,200	220
230							25.5	243.6	8,300	230
240							16.5	216.8	7,500	240

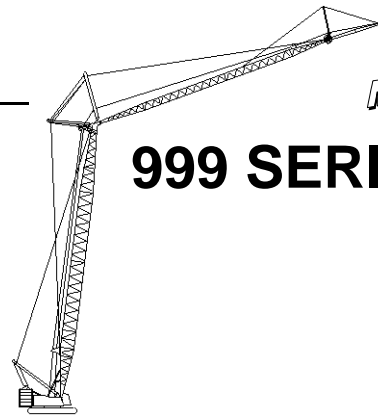


Liftcrane Fixed Jib Capacities

999 SERIES 3

New York City Code
 Fixed Jib No. 138 At
 3 Degree Offset Angle On
 Luffing Jib No. 135 On
 Boom No. 82 or 22EL
 219,600 Lb. Crane Counterweight
 80,000 Lb. Carbody Counterweight
 360 Degree Rating

Designed And Tested
 With The Intent To
 Be In The Scope of
 ANSI B30.5



170 Ft. Boom, 160 Ft. Luffing Jib, 30 Ft. Fixed Jib

Fixed Jib Oper. Rad. Feet	88 Degree Boom Angle			83 Degree Boom Angle			70 Degree Boom Angle			Fixed Jib Oper. Rad. Feet
	Luffing Jib Angle Degrees	Fixed Jib Point Elev. Feet	Fixed Jib Capacity Pounds	Luffing Jib Angle Degrees	Fixed Jib Point Elev. Feet	Fixed Jib Capacity Pounds	Luffing Jib Angle Degrees	Fixed Jib Point Elev. Feet	Fixed Jib Capacity Pounds	
65	75.0	361.9	25,900*							65
70	73.4	360.4	25,700*							70
75	71.9	358.8	25,400*							75
80	70.3	357.1	25,200*							80
85	68.7	355.1	24,900*							85
90	67.0	353.0	24,700*							90
95	65.4	350.8	24,000*	70.2	355.6	24,100*				95
100	63.7	348.4	23,200*	68.6	353.7	24,000*				100
105	62.0	345.7	22,400*	67.0	351.6	23,800*				105
110	60.3	342.9	21,700*	65.3	349.3	23,600*				110
115	58.5	339.9	21,000*	63.6	346.9	23,300*				115
120	56.8	336.7	20,400*	61.9	344.2	22,600*				120
125	54.9	333.2	19,800*	60.2	341.4	21,900*				125
130	53.1	329.5	19,300*	58.5	338.4	21,200*				130
135	51.2	325.6	18,800*	56.7	335.2	20,600*				135
140	49.2	321.3	18,300*	54.9	331.7	20,000*				140
145	47.2	316.8	17,900*	53.0	328.0	19,500*				145
150	45.1	311.9	17,500*	51.1	324.0	19,000*				150
155	42.9	306.6	17,100*	49.1	319.8	18,500*				155
160	40.6	300.9	16,700*	47.1	315.2	18,000*				160
165	38.2	294.7	16,200*	45.0	310.3	17,600*				165
170	35.7	287.9	15,600*	42.8	305.0	17,200*	57.5	327.2	14,600	170
175	33.0	280.5	15,000*	40.5	299.3	16,800*	55.7	323.8	13,800	175
180	30.1	272.2	14,500*	38.1	293.0	16,500*	53.9	320.3	13,100	180
185	26.9	262.8	13,900*	35.6	286.2	16,200*	52.0	316.4	12,500	185
190	23.3	251.8	13,400*	32.9	278.7	15,900*	50.0	312.3	11,900	190
195	19.0	238.6	13,000*	29.9	270.4	15,600*	48.0	307.9	11,300	195
200	13.5	220.8	12,600*	26.7	260.9	15,300*	45.9	303.1	10,700	200
205				23.1	249.9	15,100*	43.8	298.0	10,200	205
210				18.8	236.5	14,900*	41.6	292.5	9,700	210
220							36.8	280.0	8,700	220
230							31.3	264.9	7,900	230
240							24.8	245.7	7,100	240
250							16.0	218.2	6,300	250

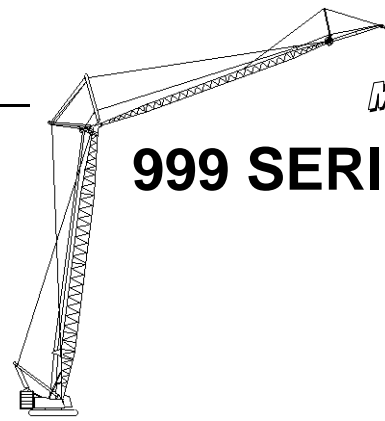


Liftcrane Fixed Jib Capacities

999 SERIES 3

New York City Code
Fixed Jib No. 138 At
3 Degree Offset Angle On
Luffing Jib No. 135 On
Boom No. 82 or 22EL
219,600 Lb. Crane Counterweight
80,000 Lb. Carbody Counterweight
360 Degree Rating

Designed And Tested
With The Intent To
Be In The Scope of
ANSI B30.5



170 Ft. Boom, 170 Ft. Luffing Jib, 30 Ft. Fixed Jib

Fixed Jib Oper. Rad. Feet	88 Degree Boom Angle			83 Degree Boom Angle			70 Degree Boom Angle			Fixed Jib Oper. Rad. Feet
	Luffing Jib Angle Degrees	Fixed Jib Point Elev. Feet	Fixed Jib Capacity Pounds	Luffing Jib Angle Degrees	Fixed Jib Point Elev. Feet	Fixed Jib Capacity Pounds	Luffing Jib Angle Degrees	Fixed Jib Point Elev. Feet	Fixed Jib Capacity Pounds	
65	75.8	372.3	23,300*							65
70	74.3	370.9	23,300*							70
75	72.8	369.3	22,800*							75
80	71.3	367.7	22,500*							80
85	69.8	365.9	22,300*							85
90	68.2	363.9	22,000*							90
95	66.7	361.8	21,700*							95
100	65.1	359.5	21,500*	69.7	364.4	21,300*				100
105	63.5	357.0	21,300*	68.2	362.4	21,100*				105
110	61.9	354.4	21,000*	66.6	360.3	21,000*				110
115	60.3	351.6	20,500*	65.0	358.0	20,800*				115
120	58.6	348.6	20,000*	63.5	355.6	20,600*				120
125	56.9	345.4	19,400*	61.8	352.9	20,400*				125
130	55.2	341.9	18,900*	60.2	350.1	20,300*				130
135	53.4	338.3	18,400*	58.5	347.1	20,100*				135
140	51.6	334.4	18,000*	56.8	343.9	19,600*				140
145	49.8	330.2	17,500*	55.1	340.4	19,100*				145
150	47.9	325.8	17,100*	53.3	336.8	18,600*				150
155	45.9	321.0	16,700*	51.5	332.8	18,100*				155
160	43.9	315.9	16,100*	49.7	328.7	17,700*				160
165	41.7	310.4	15,600*	47.8	324.2	17,300*				165
170	39.5	304.5	15,100*	45.8	319.4	16,900*				170
175	37.2	298.1	14,600*	43.8	314.3	16,500*	57.6	335.9	13,400	175
180	34.7	291.1	14,100*	41.6	308.8	16,200*	55.9	332.5	12,700	180
185	32.1	283.3	13,600*	39.4	302.8	15,900*	54.2	329.0	12,100	185
190	29.3	274.8	13,100*	37.1	296.4	15,600*	52.4	325.2	11,500	190
195	26.2	265.1	12,700*	34.6	289.4	15,300*	50.5	321.1	10,900	195
200	22.7	253.8	12,200*	32.0	281.6	15,100*	48.7	316.8	10,300	200
205	18.5	240.2	11,800*	29.2	273.0	14,800*	46.7	312.2	9,800	205
210	13.1	222.0	11,500*	26.0	263.2	14,600*	44.7	307.2	9,300	210
220				18.3	238.1	14,200*	40.5	296.2	8,400	220
230							35.8	283.2	7,500	230
240							30.5	267.6	6,700	240
250							24.2	247.9	6,000	250
260							15.6	219.5	5,300	260

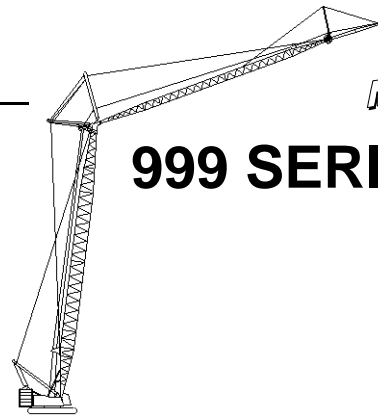


Liftcrane Fixed Jib Capacities

999 SERIES 3

New York City Code
 Fixed Jib No. 138 At
 3 Degree Offset Angle On
 Luffing Jib No. 135 On
 Boom No. 82 or 22EL
 219,600 Lb. Crane Counterweight
 80,000 Lb. Carbody Counterweight
 360 Degree Rating

Designed And Tested
 With The Intent To
 Be In The Scope of
 ANSI B30.5



170 Ft. Boom, 140 Ft. Luffing Jib, 40 Ft. Fixed Jib

Fixed Jib Oper. Rad. Feet	88 Degree Boom Angle			83 Degree Boom Angle			70 Degree Boom Angle			Fixed Jib Oper. Rad. Feet
	Luffing Jib Angle Degrees	Fixed Jib Point Elev. Feet	Fixed Jib Capacity Pounds	Luffing Jib Angle Degrees	Fixed Jib Point Elev. Feet	Fixed Jib Capacity Pounds	Luffing Jib Angle Degrees	Fixed Jib Point Elev. Feet	Fixed Jib Capacity Pounds	
65	74.6	351.4	22,600*							65
70	72.9	349.9	22,400*							70
75	71.2	348.2	22,100*							75
80	69.5	346.3	21,800*							80
85	67.8	344.3	21,600*							85
90	66.1	342.0	21,400*							90
95	64.3	339.6	21,100*	69.5	344.9	22,000*				95
100	62.5	337.0	20,400*	67.7	342.8	21,800*				100
105	60.7	334.2	19,600*	66.0	340.6	21,600*				105
110	58.9	331.2	19,000*	64.2	338.1	21,300*				110
115	57.0	327.9	18,300*	62.5	335.5	20,500*				115
120	55.1	324.4	17,700*	60.6	332.7	19,800*				120
125	53.1	320.7	17,200*	58.8	329.7	19,100*				125
130	51.0	316.7	16,700*	56.9	326.4	18,500*				130
135	48.9	312.3	16,200*	55.0	322.9	17,900*				135
140	46.8	307.6	15,700*	53.0	319.2	17,300*				140
145	44.5	302.6	15,300*	50.9	315.1	16,800*				145
150	42.2	297.1	14,900*	48.8	310.8	16,300*				150
155	39.7	291.2	14,600*	46.7	306.1	15,900*				155
160	37.1	284.6	14,200*	44.4	301.0	15,400*				160
165	34.3	277.4	13,900*	42.1	295.5	15,000*	57.8	318.5	16,200	165
170	31.3	269.4	13,600*	39.6	289.5	14,700*	55.9	315.1	15,400	170
175	28.0	260.3	13,300*	37.0	283.0	14,300*	53.9	311.4	14,700	175
180	24.3	249.7	13,100*	34.2	275.7	14,000*	51.9	307.5	14,000	180
185	19.9	236.8	12,900*	31.2	267.6	13,700*	49.8	303.3	13,300	185
190	14.2	219.5	12,700*	27.9	258.5	13,400*	47.7	298.8	12,700	190
195				24.1	247.8	13,200*	45.5	293.9	12,100	195
200				19.7	234.7	13,000*	43.2	288.6	11,500	200
205				13.9	217.1	12,800*	40.8	282.9	11,000	205
210							38.2	276.6	10,500	210
220							32.6	262.0	9,500	220
230							25.9	243.4	8,600	230
240							16.8	216.6	7,800	240

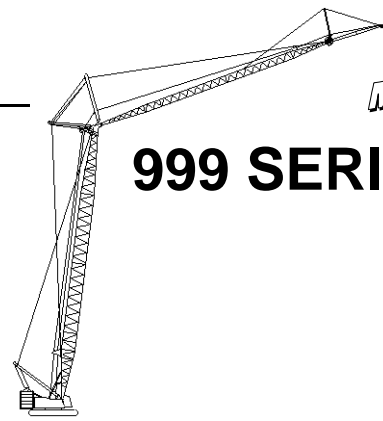


Liftcrane Fixed Jib Capacities

999 SERIES 3

New York City Code
 Fixed Jib No. 138 At
 3 Degree Offset Angle On
 Luffing Jib No. 135 On
 Boom No. 82 or 22EL
 219,600 Lb. Crane Counterweight
 80,000 Lb. Carbody Counterweight
 360 Degree Rating

Designed And Tested
 With The Intent To
 Be In The Scope of
 ANSI B30.5



170 Ft. Boom, 150 Ft. Luffing Jib, 40 Ft. Fixed Jib

Fixed Jib Oper. Rad. Feet	88 Degree Boom Angle			83 Degree Boom Angle			70 Degree Boom Angle			Fixed Jib Oper. Rad. Feet
	Luffing Jib Angle Degrees	Fixed Jib Point Elev. Feet	Fixed Jib Capacity Pounds	Luffing Jib Angle Degrees	Fixed Jib Point Elev. Feet	Fixed Jib Capacity Pounds	Luffing Jib Angle Degrees	Fixed Jib Point Elev. Feet	Fixed Jib Capacity Pounds	
65	75.4	361.8	22,200*							65
70	73.8	360.4	22,000*							70
75	72.2	358.8	21,700*							75
80	70.7	357.0	21,500*							80
85	69.0	355.1	21,300*							85
90	67.4	353.0	21,100*							90
95	65.8	350.7	20,700*	70.6	355.6	21,600*				95
100	64.1	348.3	20,000*	69.0	353.6	21,400*				100
105	62.4	345.7	19,300*	67.3	351.5	21,200*				105
110	60.7	342.9	18,600*	65.7	349.3	20,900*				110
115	58.9	339.9	18,000*	64.0	346.8	20,100*				115
120	57.1	336.6	17,400*	62.3	344.2	19,400*				120
125	55.3	333.2	16,900*	60.6	341.4	18,800*				125
130	53.5	329.5	16,400*	58.9	338.3	18,200*				130
135	51.5	325.5	15,900*	57.1	335.1	17,600*				135
140	49.6	321.3	15,500*	55.2	331.6	17,100*				140
145	47.5	316.7	15,100*	53.4	327.9	16,600*				145
150	45.4	311.8	14,700*	51.5	324.0	16,100*				150
155	43.3	306.5	14,400*	49.5	319.7	15,600*				155
160	41.0	300.8	14,000*	47.4	315.1	15,200*				160
165	38.6	294.6	13,700*	45.3	310.2	14,800*				165
170	36.1	287.8	13,400*	43.2	304.9	14,500*	57.9	327.1	15,200	170
175	33.4	280.4	13,100*	40.9	299.2	14,100*	56.1	323.8	14,500	175
180	30.5	272.1	12,900*	38.5	293.0	13,800*	54.2	320.2	13,800	180
185	27.3	262.6	12,600*	35.9	286.2	13,500*	52.3	316.3	13,100	185
190	23.6	251.7	12,400*	33.2	278.7	13,200*	50.4	312.2	12,500	190
195	19.4	238.4	12,200*	30.3	270.3	13,000*	48.4	307.8	11,900	195
200	13.8	220.6	12,100*	27.1	260.8	12,700*	46.3	303.0	11,400	200
205				23.5	249.8	12,500*	44.2	297.9	10,800	205
210				19.2	236.3	12,300*	41.9	292.4	10,300	210
220							37.1	279.9	9,400	220
230							31.7	264.8	8,500	230
240							25.2	245.6	7,700	240
250							16.4	218.0	6,900	250

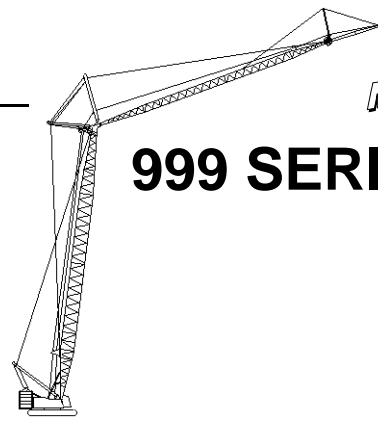


Liftcrane Fixed Jib Capacities

999 SERIES 3

New York City Code
 Fixed Jib No. 138 At
 3 Degree Offset Angle On
 Luffing Jib No. 135 On
 Boom No. 82 or 22EL
 219,600 Lb. Crane Counterweight
 80,000 Lb. Carbody Counterweight
 360 Degree Rating

Designed And Tested
 With The Intent To
 Be In The Scope of
 ANSI B30.5



170 Ft. Boom, 160 Ft. Luffing Jib, 40 Ft. Fixed Jib

Fixed Jib Oper. Rad. Feet	88 Degree Boom Angle			83 Degree Boom Angle			70 Degree Boom Angle			Fixed Jib Oper. Rad. Feet
	Luffing Jib Angle Degrees	Fixed Jib Point Elev. Feet	Fixed Jib Capacity Pounds	Luffing Jib Angle Degrees	Fixed Jib Point Elev. Feet	Fixed Jib Capacity Pounds	Luffing Jib Angle Degrees	Fixed Jib Point Elev. Feet	Fixed Jib Capacity Pounds	
70	74.7	370.8	21,500*							70
75	73.2	369.3	21,300*							75
80	71.7	367.6	21,100*							80
85	70.1	365.8	20,800*							85
90	68.6	363.8	20,600*							90
95	67.1	361.7	20,300*							95
100	65.5	359.4	19,600*	70.1	364.4	20,900*				100
105	63.9	357.0	18,900*	68.5	362.4	20,700*				105
110	62.3	354.3	18,300*	67.0	360.3	20,400*				110
115	60.7	351.5	17,700*	65.4	358.0	19,700*				115
120	59.0	348.5	17,200*	63.8	355.5	19,000*				120
125	57.3	345.3	16,600*	62.2	352.9	18,400*				125
130	55.6	341.9	16,200*	60.6	350.0	17,800*				130
135	53.8	338.2	15,700*	58.9	347.0	17,300*				135
140	52.0	334.3	15,300*	57.2	343.8	16,800*				140
145	50.1	330.2	14,900*	55.5	340.4	16,300*				145
150	48.2	325.7	14,500*	53.7	336.7	15,800*				150
155	46.3	320.9	14,200*	51.9	332.8	15,400*				155
160	44.2	315.8	13,900*	50.0	328.6	15,000*				160
165	42.1	310.3	13,500*	48.1	324.1	14,600*				165
170	39.9	304.4	13,300*	46.2	319.4	14,300*				170
175	37.6	298.0	13,000*	44.1	314.2	14,000*	58.0	335.8	13,900	175
180	35.1	291.0	12,700*	42.0	308.7	13,600*	56.3	332.5	13,200	180
185	32.5	283.2	12,500*	39.8	302.8	13,400*	54.5	328.9	12,600	185
190	29.7	274.7	12,300*	37.5	296.3	13,100*	52.7	325.1	12,000	190
195	26.5	264.9	12,100*	35.0	289.3	12,800*	50.9	321.1	11,400	195
200	23.0	253.7	11,900*	32.4	281.5	12,600*	49.0	316.8	10,800	200
205	18.9	240.0	11,500*	29.5	272.9	12,400*	47.1	312.1	10,300	205
210	13.5	221.7	11,100*	26.4	263.1	12,200*	45.1	307.2	9,800	210
220				18.6	237.9	11,800*	40.8	296.1	8,900	220
230							36.1	283.1	8,000	230
240							30.9	267.5	7,200	240
250							24.5	247.7	6,500	250
260							15.9	219.3	5,800	260

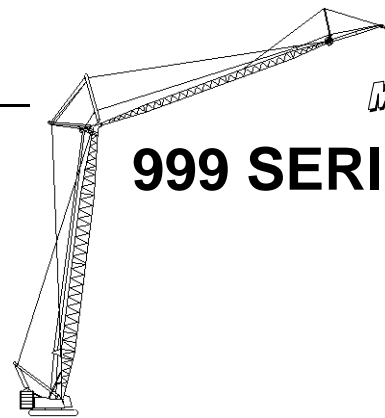


Liftcrane Fixed Jib Capacities

999 SERIES 3

New York City Code
Fixed Jib No. 138 At
3 Degree Offset Angle On
Luffing Jib No. 135 On
Boom No. 82 or 22EL
219,600 Lb. Crane Counterweight
80,000 Lb. Carbody Counterweight
360 Degree Rating

Designed And Tested
With The Intent To
Be In The Scope of
ANSI B30.5



170 Ft. Boom, 170 Ft. Luffing Jib, 40 Ft. Fixed Jib

Fixed Jib Oper. Rad. Feet	88 Degree Boom Angle			83 Degree Boom Angle			70 Degree Boom Angle			Fixed Jib Oper. Rad. Feet
	Luffing Jib Angle Degrees	Fixed Jib Point Elev. Feet	Fixed Jib Capacity Pounds	Luffing Jib Angle Degrees	Fixed Jib Point Elev. Feet	Fixed Jib Capacity Pounds	Luffing Jib Angle Degrees	Fixed Jib Point Elev. Feet	Fixed Jib Capacity Pounds	
70	75.4	381.2	20,500*							70
75	74.0	379.8	20,200*							75
80	72.6	378.2	20,000*							80
85	71.1	376.5	19,700*							85
90	69.7	374.6	19,500*							90
95	68.2	372.6	19,200*							95
100	66.7	370.4	19,000*							100
105	65.2	368.1	18,500*	69.6	373.2	18,700*				105
110	63.7	365.6	17,900*	68.1	371.1	18,700*				110
115	62.2	363.0	17,300*	66.7	369.0	18,400*				115
120	60.6	360.2	16,800*	65.2	366.7	18,300*				120
125	59.0	357.2	16,300*	63.6	364.2	18,000*				125
130	57.4	354.0	15,800*	62.1	361.5	17,400*				130
135	55.8	350.6	15,400*	60.5	358.7	16,900*				135
140	54.1	347.0	15,000*	59.0	355.7	16,400*				140
145	52.4	343.1	14,600*	57.4	352.5	16,000*				145
150	50.6	339.0	14,300*	55.7	349.1	15,500*				150
155	48.8	334.7	13,900*	54.0	345.4	15,100*				155
160	47.0	330.0	13,600*	52.3	341.6	14,700*				160
165	45.1	325.1	13,300*	50.6	337.5	14,400*				165
170	43.1	319.8	13,000*	48.8	333.1	14,000*				170
175	41.0	314.0	12,800*	46.9	328.4	13,700*				175
180	38.9	307.9	12,500*	45.0	323.5	13,400*				180
185	36.6	301.3	12,300*	43.0	318.1	13,100*	56.5	341.2	12,200	185
190	34.2	294.0	12,100*	40.9	312.4	12,800*	54.8	337.7	11,600	190
195	31.7	286.0	11,800*	38.8	306.2	12,600*	53.1	333.9	11,000	195
200	28.9	277.2	11,600*	36.5	299.6	12,400*	51.4	329.9	10,400	200
205	25.9	267.2	11,200*	34.1	292.3	12,100*	49.6	325.7	9,900	205
210	22.4	255.6	10,900*	31.5	284.3	11,900*	47.8	321.2	9,400	210
220	13.1	222.8	10,300*	25.7	265.3	11,600*	43.9	311.2	8,500	220
230				18.2	239.5	11,200*	39.8	299.7	7,600	230
240							35.2	286.3	6,900	240
250							30.1	270.1	6,100	250
260							23.9	249.8	5,400	260
270							15.5	220.6	4,800	270

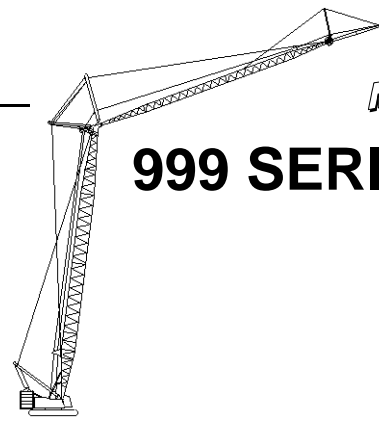


Liftcrane Fixed Jib Capacities

999 SERIES 3

New York City Code
 Fixed Jib No. 138 At
 3 Degree Offset Angle On
 Luffing Jib No. 135 On
 Boom No. 82 or 22EL
 219,600 Lb. Crane Counterweight
 80,000 Lb. Carbody Counterweight
 360 Degree Rating

Designed And Tested
 With The Intent To
 Be In The Scope of
 ANSI B30.5



170 Ft. Boom, 140 Ft. Luffing Jib, 50 Ft. Fixed Jib

Fixed Jib Oper. Rad. Feet	88 Degree Boom Angle			83 Degree Boom Angle			70 Degree Boom Angle			Fixed Jib Oper. Rad. Feet
	Luffing Jib Angle Degrees	Fixed Jib Point Elev. Feet	Fixed Jib Capacity Pounds	Luffing Jib Angle Degrees	Fixed Jib Point Elev. Feet	Fixed Jib Capacity Pounds	Luffing Jib Angle Degrees	Fixed Jib Point Elev. Feet	Fixed Jib Capacity Pounds	
65	75.5	361.8	19,400*							65
70	73.9	360.4	19,100*							70
75	72.3	358.8	18,900*							75
80	70.7	357.0	18,600*							80
85	69.1	355.1	18,400*							85
90	67.5	353.0	18,200*							90
95	65.9	350.7	17,900*	70.7	355.6	18,700*				95
100	64.2	348.3	17,700*	69.1	353.6	18,500*				100
105	62.5	345.7	17,300*	67.4	351.5	18,300*				105
110	60.8	342.9	16,700*	65.8	349.3	18,100*				110
115	59.0	339.9	16,100*	64.1	346.8	17,900*				115
120	57.2	336.6	15,600*	62.4	344.2	17,500*				120
125	55.4	333.2	15,100*	60.7	341.4	16,800*				125
130	53.6	329.5	14,600*	58.9	338.4	16,300*				130
135	51.6	325.5	14,200*	57.2	335.1	15,700*				135
140	49.7	321.3	13,800*	55.3	331.6	15,200*				140
145	47.6	316.7	13,400*	53.5	327.9	14,700*				145
150	45.5	311.8	13,000*	51.5	324.0	14,300*				150
155	43.4	306.5	12,700*	49.6	319.7	13,800*				155
160	41.1	300.8	12,300*	47.5	315.1	13,500*				160
165	38.7	294.6	12,000*	45.4	310.2	13,100*				165
170	36.2	287.9	11,800*	43.3	304.9	12,800*	58.0	327.2	15,500	170
175	33.5	280.4	11,500*	41.0	299.2	12,400*	56.2	323.8	14,700	175
180	30.6	272.1	11,300*	38.6	293.0	12,100*	54.3	320.2	14,000	180
185	27.4	262.7	11,000*	36.0	286.2	11,800*	52.4	316.3	13,400	185
190	23.7	251.7	10,800*	33.3	278.7	11,600*	50.5	312.2	12,800	190
195	19.5	238.4	10,600*	30.4	270.3	11,300*	48.5	307.8	12,200	195
200	13.9	220.7	10,500*	27.2	260.8	11,100*	46.4	303.0	11,600	200
205				23.6	249.8	10,900*	44.3	297.9	11,100	205
210				19.3	236.4	10,700*	42.0	292.4	10,600	210
220							37.2	279.9	9,600	220
230							31.8	264.8	8,800	230
240							25.3	245.6	8,000	240
250							16.5	218.0	7,200	250

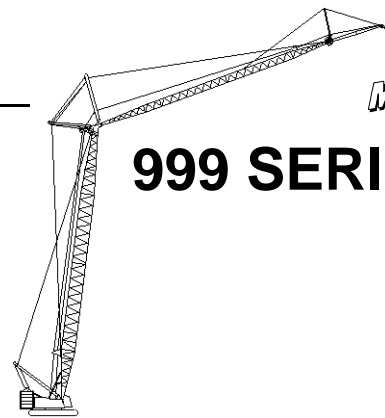


Liftcrane Fixed Jib Capacities

999 SERIES 3

New York City Code
Fixed Jib No. 138 At
3 Degree Offset Angle On
Luffing Jib No. 135 On
Boom No. 82 or 22EL
219,600 Lb. Crane Counterweight
80,000 Lb. Carbody Counterweight
360 Degree Rating

Designed And Tested
With The Intent To
Be In The Scope of
ANSI B30.5



170 Ft. Boom, 150 Ft. Luffing Jib, 50 Ft. Fixed Jib

Fixed Jib Oper. Rad. Feet	88 Degree Boom Angle			83 Degree Boom Angle			70 Degree Boom Angle			Fixed Jib Oper. Rad. Feet
	Luffing Jib Angle Degrees	Fixed Jib Point Elev. Feet	Fixed Jib Capacity Pounds	Luffing Jib Angle Degrees	Fixed Jib Point Elev. Feet	Fixed Jib Capacity Pounds	Luffing Jib Angle Degrees	Fixed Jib Point Elev. Feet	Fixed Jib Capacity Pounds	
70	74.7	370.8	18,800*							70
75	73.3	369.3	18,600*							75
80	71.7	367.6	18,400*							80
85	70.2	365.8	18,100*							85
90	68.7	363.8	17,900*							90
95	67.1	361.7	17,700*							95
100	65.6	359.4	17,500*	70.2	364.4	18,200*				100
105	64.0	357.0	17,000*	68.6	362.4	18,000*				105
110	62.4	354.3	16,400*	67.1	360.3	17,900*				110
115	60.7	351.5	15,900*	65.5	358.0	17,700*				115
120	59.1	348.5	15,300*	63.9	355.5	17,100*				120
125	57.4	345.3	14,800*	62.3	352.9	16,500*				125
130	55.7	341.9	14,400*	60.7	350.0	16,000*				130
135	53.9	338.2	13,900*	59.0	347.0	15,500*				135
140	52.1	334.3	13,600*	57.3	343.8	15,000*				140
145	50.2	330.2	13,200*	55.6	340.4	14,500*				145
150	48.3	325.7	12,800*	53.8	336.7	14,100*				150
155	46.3	321.0	12,500*	52.0	332.8	13,600*				155
160	44.3	315.8	12,200*	50.1	328.6	13,300*				160
165	42.2	310.4	11,900*	48.2	324.1	12,900*				165
170	40.0	304.4	11,600*	46.3	319.4	12,600*				170
175	37.7	298.0	11,300*	44.2	314.2	12,300*				175
180	35.2	291.0	11,100*	42.1	308.7	12,000*	56.4	332.5	13,800	180
185	32.6	283.3	10,900*	39.9	302.8	11,700*	54.6	328.9	13,200	185
190	29.7	274.7	10,600*	37.5	296.3	11,400*	52.8	325.1	12,600	190
195	26.6	265.0	10,400*	35.1	289.3	11,200*	51.0	321.1	12,000	195
200	23.1	253.7	10,300*	32.5	281.5	10,900*	49.1	316.8	11,400	200
205	19.0	240.0	10,100*	29.6	272.9	10,700*	47.2	312.1	10,900	205
210	13.6	221.8	10,000*	26.5	263.1	10,500*	45.2	307.2	10,400	210
220				18.7	238.0	10,200*	40.9	296.1	9,500	220
230							36.2	283.1	8,600	230
240							30.9	267.5	7,800	240
250							24.6	247.8	7,100	250
260							16.0	219.3	6,300	260



Liftcrane Fixed Jib Capacities

999 SERIES 3

New York City Code

Fixed Jib No. 138 At

3 Degree Offset Angle On

Luffing Jib No. 135 On

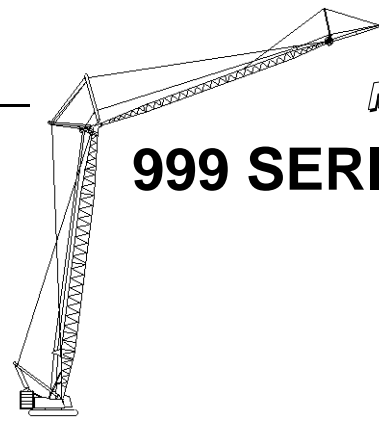
Boom No. 82 or 22EL

219,600 Lb. Crane Counterweight

80,000 Lb. Carbody Counterweight

360 Degree Rating

Designed And Tested
With The Intent To
Be In The Scope of
ANSI B30.5



170 Ft. Boom, 160 Ft. Luffing Jib, 50 Ft. Fixed Jib

Fixed Jib Oper. Rad. Feet	88 Degree Boom Angle			83 Degree Boom Angle			70 Degree Boom Angle			Fixed Jib Oper. Rad. Feet
	Luffing Jib Angle Degrees	Fixed Jib Point Elev. Feet	Fixed Jib Capacity Pounds	Luffing Jib Angle Degrees	Fixed Jib Point Elev. Feet	Fixed Jib Capacity Pounds	Luffing Jib Angle Degrees	Fixed Jib Point Elev. Feet	Fixed Jib Capacity Pounds	
70	75.5	381.2	18,400*							70
75	74.1	379.8	18,200*							75
80	72.6	378.2	18,000*							80
85	71.2	376.5	17,800*							85
90	69.8	374.6	17,600*							90
95	68.3	372.6	17,400*							95
100	66.8	370.4	17,100*							100
105	65.3	368.1	16,700*	69.7	373.2	17,200*				105
110	63.8	365.7	16,100*	68.2	371.1	17,000*				110
115	62.3	363.0	15,600*	66.7	369.0	16,800*				115
120	60.7	360.2	15,100*	65.3	366.7	16,600*				120
125	59.1	357.2	14,600*	63.7	364.2	16,200*				125
130	57.5	354.0	14,200*	62.2	361.5	15,700*				130
135	55.9	350.6	13,700*	60.6	358.7	15,200*				135
140	54.2	347.0	13,300*	59.1	355.7	14,700*				140
145	52.5	343.1	13,000*	57.4	352.5	14,300*				145
150	50.7	339.0	12,600*	55.8	349.1	13,800*				150
155	48.9	334.7	12,300*	54.1	345.4	13,400*				155
160	47.1	330.0	12,000*	52.4	341.6	13,100*				160
165	45.2	325.1	11,700*	50.6	337.5	12,700*				165
170	43.2	319.8	11,500*	48.8	333.1	12,400*				170
175	41.1	314.1	11,200*	47.0	328.5	12,100*				175
180	39.0	307.9	11,000*	45.1	323.5	11,800*				180
185	36.7	301.3	10,700*	43.1	318.1	11,500*	56.6	341.2	12,600	185
190	34.3	294.0	10,500*	41.0	312.4	11,300*	54.9	337.7	12,000	190
195	31.8	286.1	10,300*	38.9	306.3	11,000*	53.2	333.9	11,500	195
200	29.0	277.2	10,100*	36.6	299.6	10,800*	51.5	329.9	10,900	200
205	26.0	267.2	10,000*	34.2	292.3	10,600*	49.7	325.7	10,400	205
210	22.5	255.6	9,800*	31.6	284.3	10,400*	47.8	321.2	9,900	210
220	13.2	222.9	9,500*	25.8	265.4	10,000*	44.0	311.2	9,000	220
230				18.3	239.5	9,700*	39.9	299.7	8,100	230
240							35.3	286.3	7,300	240
250							30.2	270.2	6,600	250
260							24.0	249.8	5,900	260
270							15.6	220.6	5,300	270

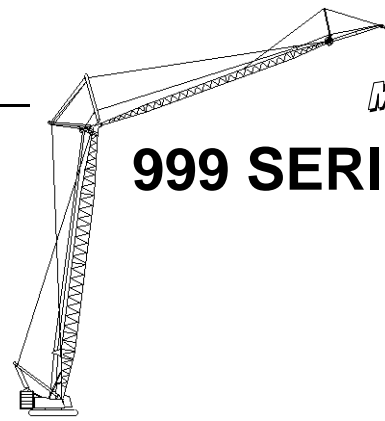


Liftcrane Fixed Jib Capacities

999 SERIES 3

New York City Code
Fixed Jib No. 138 At
3 Degree Offset Angle On
Luffing Jib No. 135 On
Boom No. 82 or 22EL
219,600 Lb. Crane Counterweight
80,000 Lb. Carbody Counterweight
360 Degree Rating

Designed And Tested
With The Intent To
Be In The Scope of
ANSI B30.5



170 Ft. Boom, 170 Ft. Luffing Jib, 50 Ft. Fixed Jib

Fixed Jib Oper. Rad. Feet	88 Degree Boom Angle			83 Degree Boom Angle			70 Degree Boom Angle			Fixed Jib Oper. Rad. Feet
	Luffing Jib Angle Degrees	Fixed Jib Point Elev. Feet	Fixed Jib Capacity Pounds	Luffing Jib Angle Degrees	Fixed Jib Point Elev. Feet	Fixed Jib Capacity Pounds	Luffing Jib Angle Degrees	Fixed Jib Point Elev. Feet	Fixed Jib Capacity Pounds	
75	74.8	390.2	17,200*							75
80	73.5	388.7	17,000*							80
85	72.1	387.1	16,800*							85
90	70.7	385.3	16,500*							90
95	69.3	383.4	16,300*							95
100	67.9	381.3	16,100*							100
105	66.5	379.2	15,800*	70.7	383.8	16,000*				105
110	65.1	376.8	15,700*	69.3	381.9	15,800*				110
115	63.6	374.3	15,300*	67.9	379.9	15,700*				115
120	62.2	371.7	14,800*	66.4	377.7	15,500*				120
125	60.7	368.9	14,300*	65.0	375.3	15,300*				125
130	59.2	365.9	13,900*	63.6	372.8	15,200*				130
135	57.6	362.7	13,500*	62.1	370.2	14,900*				135
140	56.1	359.3	13,100*	60.6	367.4	14,400*				140
145	54.5	355.7	12,700*	59.1	364.4	14,000*				145
150	52.8	351.9	12,400*	57.6	361.2	13,600*				150
155	51.2	347.9	12,100*	56.0	357.8	13,200*				155
160	49.5	343.6	11,800*	54.4	354.2	12,800*				160
165	47.7	339.1	11,500*	52.8	350.4	12,500*				165
170	45.9	334.2	11,200*	51.1	346.3	12,200*				170
175	44.0	329.1	11,000*	49.4	342.1	11,900*				175
180	42.1	323.6	10,800*	47.6	337.5	11,600*				180
185	40.1	317.7	10,500*	45.8	332.7	11,300*				185
190	38.0	311.3	10,300*	44.0	327.5	11,100*	56.7	349.9	11,600	190
195	35.8	304.4	10,100*	42.0	322.0	10,800*	55.1	346.4	11,100	195
200	33.5	297.0	9,900*	40.0	316.0	10,600*	53.5	342.7	10,500	200
205	31.0	288.8	9,800*	37.9	309.7	10,400*	51.9	338.8	10,000	205
210	28.3	279.7	9,600*	35.7	302.8	10,200*	50.2	334.6	9,500	210
220	22.0	257.5	9,300*	30.9	287.0	9,800*	46.7	325.4	8,600	220
230	12.9	223.9	9,100*	25.2	267.5	9,500*	42.9	315.1	7,700	230
240				17.8	241.0	9,200*	38.9	303.2	7,000	240
250							34.5	289.3	6,200	250
260							29.4	272.7	5,600	260
270							23.4	251.8	4,900	270
280							15.2	221.9	4,300	280

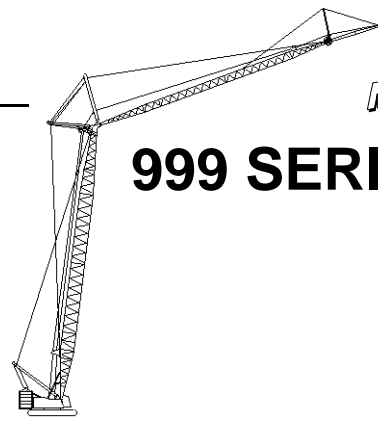


Liftcrane Fixed Jib Capacities

999 SERIES 3

New York City Code
 Fixed Jib No. 138 At
 3 Degree Offset Angle On
 Luffing Jib No. 135 On
 Boom No. 82 or 22EL
 219,600 Lb. Crane Counterweight
 80,000 Lb. Carbody Counterweight
 360 Degree Rating

Designed And Tested
 With The Intent To
 Be In The Scope of
 ANSI B30.5



170 Ft. Boom, 140 Ft. Luffing Jib, 60 Ft. Fixed Jib

Fixed Jib Oper. Rad. Feet	88 Degree Boom Angle			83 Degree Boom Angle			70 Degree Boom Angle			Fixed Jib Oper. Rad. Feet
	Luffing Jib Angle Degrees	Fixed Jib Point Elev. Feet	Fixed Jib Capacity Pounds	Luffing Jib Angle Degrees	Fixed Jib Point Elev. Feet	Fixed Jib Capacity Pounds	Luffing Jib Angle Degrees	Fixed Jib Point Elev. Feet	Fixed Jib Capacity Pounds	
70	74.5	370.9	16,300*							70
75	73.1	369.3	16,000*							75
80	71.6	367.7	15,700*							80
85	70.0	365.9	15,300*							85
90	68.5	363.9	15,000*							90
95	67.0	361.8	14,700*							95
100	65.4	359.5	14,400*	70.0	364.4	15,100*				100
105	63.8	357.0	14,100*	68.4	362.4	14,800*				105
110	62.2	354.4	13,800*	66.9	360.3	14,500*				110
115	60.6	351.6	13,500*	65.3	358.0	14,200*				115
120	58.9	348.6	13,300*	63.7	355.6	13,900*				120
125	57.2	345.4	13,000*	62.1	352.9	13,700*				125
130	55.5	341.9	12,800*	60.5	350.1	13,400*				130
135	53.7	338.3	12,600*	58.8	347.1	13,200*				135
140	51.9	334.4	12,300*	57.1	343.9	12,900*				140
145	50.0	330.2	12,000*	55.4	340.4	12,700*				145
150	48.1	325.8	11,600*	53.6	336.8	12,500*				150
155	46.2	321.0	11,300*	51.8	332.8	12,300*				155
160	44.1	315.9	11,000*	50.0	328.7	12,000*				160
165	42.0	310.4	10,700*	48.0	324.2	11,700*				165
170	39.8	304.5	10,500*	46.1	319.4	11,400*				170
175	37.5	298.1	10,200*	44.0	314.3	11,100*	57.9	335.9	12,300*	175
180	35.0	291.1	10,000*	41.9	308.8	10,800*	56.2	332.5	12,100*	180
185	32.4	283.3	9,700*	39.7	302.8	10,500*	54.4	329.0	12,000*	185
190	29.6	274.8	9,500*	37.4	296.4	10,300*	52.6	325.2	11,900*	190
195	26.5	265.1	9,300*	34.9	289.4	10,000*	50.8	321.1	11,700*	195
200	22.9	253.8	9,100*	32.3	281.6	9,800*	48.9	316.8	11,600*	200
205	18.8	240.2	8,900*	29.4	273.0	9,600*	47.0	312.2	11,100	205
210	13.4	222.0	8,600*	26.3	263.2	9,400*	45.0	307.2	10,600	210
220				18.6	238.1	9,000*	40.7	296.2	9,700	220
230							36.1	283.2	8,800	230
240							30.8	267.6	8,000	240
250							24.5	247.9	7,300	250
260							15.9	219.5	6,600	260

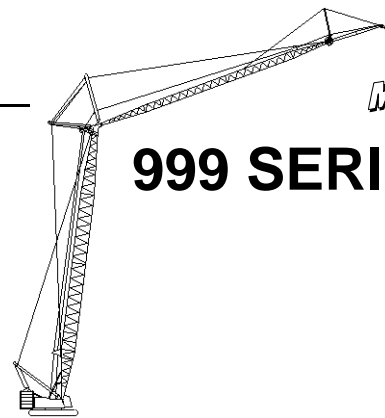


Liftcrane Fixed Jib Capacities

999 SERIES 3

New York City Code
 Fixed Jib No. 138 At
 3 Degree Offset Angle On
 Luffing Jib No. 135 On
 Boom No. 82 or 22EL
 219,600 Lb. Crane Counterweight
 80,000 Lb. Carbody Counterweight
 360 Degree Rating

Designed And Tested
 With The Intent To
 Be In The Scope of
 ANSI B30.5



170 Ft. Boom, 150 Ft. Luffing Jib, 60 Ft. Fixed Jib

Fixed Jib Oper. Rad. Feet	88 Degree Boom Angle			83 Degree Boom Angle			70 Degree Boom Angle			Fixed Jib Oper. Rad. Feet
	Luffing Jib Angle Degrees	Fixed Jib Point Elev. Feet	Fixed Jib Capacity Pounds	Luffing Jib Angle Degrees	Fixed Jib Point Elev. Feet	Fixed Jib Capacity Pounds	Luffing Jib Angle Degrees	Fixed Jib Point Elev. Feet	Fixed Jib Capacity Pounds	
70	75.3	381.3	15,700*							70
75	73.9	379.8	15,400*							75
80	72.5	378.2	15,200*							80
85	71.0	376.5	14,900*							85
90	69.6	374.7	14,600*							90
95	68.1	372.6	14,300*							95
100	66.6	370.5	14,000*	71.0	375.1	14,600*				100
105	65.1	368.2	13,700*	69.5	373.2	14,300*				105
110	63.6	365.7	13,400*	68.0	371.2	14,000*				110
115	62.1	363.1	13,200*	66.6	369.0	13,800*				115
120	60.5	360.2	13,000*	65.1	366.7	13,500*				120
125	58.9	357.2	12,700*	63.6	364.2	13,300*				125
130	57.3	354.0	12,500*	62.0	361.6	13,100*				130
135	55.7	350.6	12,300*	60.5	358.7	12,800*				135
140	54.0	347.0	12,100*	58.9	355.7	12,600*				140
145	52.3	343.2	11,800*	57.3	352.5	12,400*				145
150	50.5	339.1	11,500*	55.6	349.1	12,200*				150
155	48.7	334.7	11,200*	53.9	345.5	12,000*				155
160	46.9	330.1	10,900*	52.2	341.6	11,900*				160
165	45.0	325.1	10,600*	50.5	337.5	11,600*				165
170	43.0	319.8	10,300*	48.7	333.2	11,200*				170
175	40.9	314.1	10,100*	46.8	328.5	10,900*				175
180	38.8	308.0	9,800*	44.9	323.5	10,700*	58.0	344.6	11,700*	180
185	36.5	301.3	9,600*	42.9	318.2	10,400*	56.4	341.2	11,600*	185
190	34.1	294.1	9,400*	40.8	312.5	10,100*	54.7	337.7	11,500*	190
195	31.6	286.1	9,200*	38.7	306.3	9,900*	53.0	334.0	11,400*	195
200	28.8	277.3	9,000*	36.4	299.7	9,700*	51.3	330.0	11,300*	200
205	25.8	267.3	8,800*	34.0	292.4	9,400*	49.5	325.7	10,900	205
210	22.4	255.7	8,700*	31.5	284.4	9,200*	47.7	321.2	10,400	210
220	13.1	223.1	8,400*	25.6	265.5	8,900*	43.8	311.2	9,500	220
230				18.1	239.6	8,600*	39.7	299.8	8,600	230
240							35.1	286.3	7,900	240
250							30.0	270.3	7,100	250
260							23.8	249.9	6,500	260
270							15.5	220.8	5,800	270

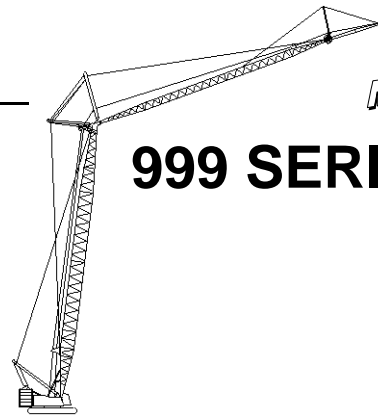


Liftcrane Fixed Jib Capacities

999 SERIES 3

New York City Code
 Fixed Jib No. 138 At
 3 Degree Offset Angle On
 Luffing Jib No. 135 On
 Boom No. 82 or 22EL
 219,600 Lb. Crane Counterweight
 80,000 Lb. Carbody Counterweight
 360 Degree Rating

Designed And Tested
 With The Intent To
 Be In The Scope of
 ANSI B30.5



170 Ft. Boom, 160 Ft. Luffing Jib, 60 Ft. Fixed Jib

Fixed Jib Oper. Rad. Feet	88 Degree Boom Angle			83 Degree Boom Angle			70 Degree Boom Angle			Fixed Jib Oper. Rad. Feet
	Luffing Jib Angle Degrees	Fixed Jib Point Elev. Feet	Fixed Jib Capacity Pounds	Luffing Jib Angle Degrees	Fixed Jib Point Elev. Feet	Fixed Jib Capacity Pounds	Luffing Jib Angle Degrees	Fixed Jib Point Elev. Feet	Fixed Jib Capacity Pounds	
70	76.0	391.6	15,100*							70
75	74.6	390.2	14,800*							75
80	73.3	388.7	14,600*							80
85	71.9	387.1	14,300*							85
90	70.5	385.3	14,000*							90
95	69.2	383.4	13,800*							95
100	67.8	381.4	13,500*							100
105	66.3	379.2	13,300*	70.5	383.9	13,700*				105
110	64.9	376.9	13,000*	69.1	382.0	13,500*				110
115	63.5	374.4	12,800*	67.7	379.9	13,300*				115
120	62.0	371.7	12,600*	66.3	377.7	13,100*				120
125	60.5	368.9	12,400*	64.8	375.4	12,800*				125
130	59.0	365.9	12,200*	63.4	372.9	12,600*				130
135	57.5	362.7	12,000*	61.9	370.2	12,500*				135
140	55.9	359.4	11,800*	60.4	367.4	12,200*				140
145	54.3	355.8	11,600*	58.9	364.4	12,000*				145
150	52.7	352.0	11,300*	57.4	361.2	11,900*				150
155	51.0	348.0	11,000*	55.8	357.8	11,700*				155
160	49.3	343.7	10,700*	54.2	354.2	11,500*				160
165	47.5	339.1	10,400*	52.6	350.4	11,400*				165
170	45.7	334.3	10,200*	50.9	346.4	11,100*				170
175	43.9	329.1	9,900*	49.2	342.1	10,800*				175
180	42.0	323.6	9,700*	47.5	337.6	10,500*				180
185	39.9	317.7	9,500*	45.7	332.7	10,300*				185
190	37.8	311.4	9,300*	43.8	327.5	10,000*	56.5	349.9	11,000*	190
195	35.6	304.5	9,100*	41.9	322.0	9,800*	55.0	346.4	10,900*	195
200	33.3	297.1	8,900*	39.9	316.1	9,500*	53.3	342.7	10,800*	200
205	30.8	288.9	8,700*	37.8	309.7	9,300*	51.7	338.8	10,400	205
210	28.1	279.8	8,600*	35.5	302.8	9,100*	50.0	334.6	9,900	210
220	21.8	257.6	8,300*	30.7	287.1	8,800*	46.5	325.5	9,000	220
230	12.8	224.1	8,000*	25.0	267.6	8,400*	42.8	315.1	8,100	230
240				17.7	241.1	8,200*	38.7	303.2	7,400	240
250							34.3	289.4	6,700	250
260							29.3	272.8	6,000	260
270							23.3	252.0	5,400	270
280							15.1	222.1	4,800	280

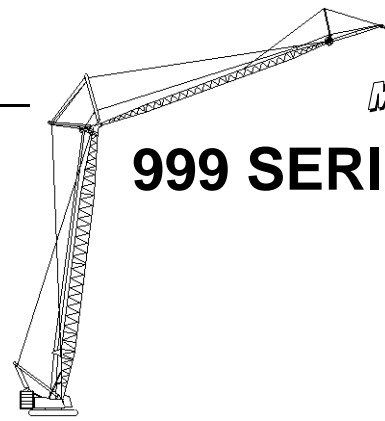


Liftcrane Fixed Jib Capacities

999 SERIES 3

New York City Code
Fixed Jib No. 138 At
3 Degree Offset Angle On
Luffing Jib No. 135 On
Boom No. 82 or 22EL
219,600 Lb. Crane Counterweight
80,000 Lb. Carbody Counterweight
360 Degree Rating

Designed And Tested
With The Intent To
Be In The Scope of
ANSI B30.5



170 Ft. Boom, 170 Ft. Luffing Jib, 60 Ft. Fixed Jib

Fixed Jib Oper. Rad. Feet	88 Degree Boom Angle			83 Degree Boom Angle			70 Degree Boom Angle			Fixed Jib Oper. Rad. Feet
	Luffing Jib Angle Degrees	Fixed Jib Point Elev. Feet	Fixed Jib Capacity Pounds	Luffing Jib Angle Degrees	Fixed Jib Point Elev. Feet	Fixed Jib Capacity Pounds	Luffing Jib Angle Degrees	Fixed Jib Point Elev. Feet	Fixed Jib Capacity Pounds	
75	75.3	400.6	14,100*							75
80	74.0	399.2	13,900*							80
85	72.7	397.6	13,700*							85
90	71.4	396.0	13,400*							90
95	70.1	394.1	13,200*							95
100	68.8	392.2	13,000*							100
105	67.4	390.1	12,800*							105
110	66.1	387.9	12,500*	70.0	392.7	12,900*				110
115	64.7	385.6	12,300*	68.7	390.8	12,700*				115
120	63.3	383.0	12,100*	67.4	388.7	12,500*				120
125	61.9	380.4	11,900*	66.0	386.5	12,300*				125
130	60.5	377.6	11,700*	64.6	384.1	12,100*				130
135	59.0	374.6	11,600*	63.2	381.6	11,900*				135
140	57.6	371.4	11,400*	61.8	378.9	11,800*				140
145	56.1	368.1	11,200*	60.4	376.1	11,600*				145
150	54.6	364.5	11,100*	59.0	373.1	11,500*				150
155	53.0	360.8	10,800*	57.5	369.9	11,300*				155
160	51.4	356.8	10,500*	56.0	366.5	11,100*				160
165	49.8	352.6	10,300*	54.5	363.0	11,000*				165
170	48.1	348.1	10,000*	52.9	359.2	10,900*				170
175	46.4	343.4	9,800*	51.3	355.2	10,600*				175
180	44.7	338.4	9,500*	49.7	351.0	10,300*				180
185	42.9	333.1	9,300*	48.1	346.6	10,100*				185
190	41.0	327.4	9,100*	46.4	341.8	9,800*				190
195	39.0	321.3	8,900*	44.6	336.8	9,600*	56.7	358.6	10,400*	195
200	37.0	314.7	8,700*	42.8	331.4	9,400*	55.2	355.2	10,300*	200
205	34.8	307.6	8,600*	40.9	325.7	9,200*	53.7	351.5	10,000	205
210	32.6	299.9	8,400*	38.9	319.6	9,000*	52.1	347.6	9,500	210
220	27.5	282.2	8,100*	34.7	305.9	8,600*	48.8	339.2	8,600	220
230	21.3	259.5	7,800*	30.0	289.8	8,300*	45.4	329.7	7,800	230
240	12.5	225.2	7,600*	24.5	269.8	8,000*	41.8	318.9	7,000	240
250				17.3	242.6	7,800*	37.8	306.6	6,300	250
260							33.5	292.4	5,600	260
270							28.6	275.3	5,000	270
280							22.7	253.9	4,500	280

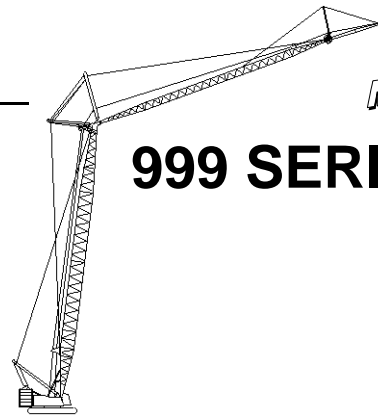


Liftcrane Fixed Jib Capacities

999 SERIES 3

New York City Code
 Fixed Jib No. 138 At
 3 Degree Offset Angle On
 Luffing Jib No. 135 On
 Boom No. 82 or 22EL
 219,600 Lb. Crane Counterweight
 80,000 Lb. Carbody Counterweight
 360 Degree Rating

Designed And Tested
 With The Intent To
 Be In The Scope of
 ANSI B30.5



180 Ft. Boom, 140 Ft. Luffing Jib, 30 Ft. Fixed Jib

Fixed Jib Oper. Rad. Feet	88 Degree Boom Angle			83 Degree Boom Angle			70 Degree Boom Angle			Fixed Jib Oper. Rad. Feet
	Luffing Jib Angle Degrees	Fixed Jib Point Elev. Feet	Fixed Jib Capacity Pounds	Luffing Jib Angle Degrees	Fixed Jib Point Elev. Feet	Fixed Jib Capacity Pounds	Luffing Jib Angle Degrees	Fixed Jib Point Elev. Feet	Fixed Jib Capacity Pounds	
60	75.1	352.6	27,200*							60
65	73.3	351.1	26,900*							65
70	71.5	349.5	26,600*							70
75	69.8	347.7	26,300*							75
80	68.0	345.7	26,100*							80
85	66.1	343.5	25,900*							85
90	64.3	341.2	25,600*	70.0	346.5	26,600*				90
95	62.4	338.6	24,900*	68.2	344.5	26,400*				95
100	60.5	335.8	24,000*	66.4	342.4	26,200*				100
105	58.5	332.8	23,200*	64.5	340.0	26,000*				105
110	56.5	329.5	22,400*	62.6	337.5	25,400*				110
115	54.5	326.0	21,700*	60.7	334.7	24,500*				115
120	52.4	322.2	21,000*	58.8	331.8	23,700*				120
125	50.2	318.1	20,400*	56.8	328.5	22,900*				125
130	48.0	313.7	19,800*	54.7	325.1	22,100*				130
135	45.6	308.9	19,300*	52.6	321.3	21,500*				135
140	43.2	303.7	18,800*	50.5	317.3	20,800*				140
145	40.7	298.1	18,300*	48.3	312.9	20,200*				145
150	38.0	291.8	17,900*	45.9	308.1	19,600*				150
155	35.2	285.0	17,500*	43.5	303.0	19,100*				155
160	32.1	277.3	17,100*	41.0	297.4	18,600*				160
165	28.7	268.6	16,600*	38.4	291.2	18,200*	56.6	318.2	15,000	165
170	24.9	258.4	16,000*	35.5	284.5	17,800*	54.5	314.7	14,300	170
175	20.5	246.2	15,300*	32.5	276.9	17,400*	52.4	310.9	13,600	175
180	14.8	229.9	14,700*	29.2	268.3	17,000*	50.3	306.8	12,900	180
185	3.6	197.0	14,100*	25.5	258.4	16,700*	48.0	302.4	12,300	185
190				21.1	246.5	16,300*	45.7	297.6	11,700	190
195				15.6	230.9	16,100*	43.3	292.5	11,100	195
200				6.4	203.8	15,900*	40.8	286.8	10,500	200
205							38.1	280.6	10,000	205
210							35.3	273.7	9,500	210
220							28.8	257.4	8,600	220
230							20.6	235.1	7,700	230
240							4.4	188.0	6,800	240

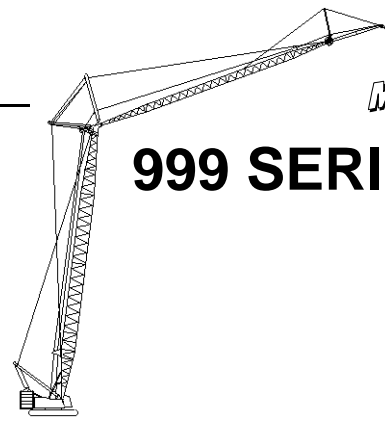


Liftcrane Fixed Jib Capacities

999 SERIES 3

New York City Code
 Fixed Jib No. 138 At
 3 Degree Offset Angle On
 Luffing Jib No. 135 On
 Boom No. 82 or 22EL
 219,600 Lb. Crane Counterweight
 80,000 Lb. Carbody Counterweight
 360 Degree Rating

Designed And Tested
 With The Intent To
 Be In The Scope of
 ANSI B30.5



180 Ft. Boom, 150 Ft. Luffing Jib, 30 Ft. Fixed Jib

Fixed Jib Oper. Rad. Feet	88 Degree Boom Angle			83 Degree Boom Angle			70 Degree Boom Angle			Fixed Jib Oper. Rad. Feet
	Luffing Jib Angle Degrees	Fixed Jib Point Elev. Feet	Fixed Jib Capacity Pounds	Luffing Jib Angle Degrees	Fixed Jib Point Elev. Feet	Fixed Jib Capacity Pounds	Luffing Jib Angle Degrees	Fixed Jib Point Elev. Feet	Fixed Jib Capacity Pounds	
60	75.9	363.0	26,600*							60
65	74.3	361.6	26,300*							65
70	72.6	360.1	26,100*							70
75	70.9	358.4	25,800*							75
80	69.2	356.5	25,600*							80
85	67.5	354.5	25,400*							85
90	65.8	352.2	25,200*							90
95	64.0	349.8	24,400*	69.5	355.3	25,800*				95
100	62.3	347.3	23,500*	67.7	353.3	25,600*				100
105	60.4	344.5	22,800*	66.0	351.1	25,500*				105
110	58.6	341.5	22,000*	64.3	348.7	24,900*				110
115	56.7	338.2	21,300*	62.5	346.2	24,000*				115
120	54.8	334.7	20,700*	60.7	343.4	23,200*				120
125	52.8	331.0	20,100*	58.8	340.4	22,500*				125
130	50.8	327.0	19,500*	57.0	337.2	21,800*				130
135	48.7	322.7	19,000*	55.0	333.8	21,100*				135
140	46.5	318.0	18,500*	53.1	330.1	20,500*				140
145	44.3	313.0	18,100*	51.0	326.1	19,900*				145
150	41.9	307.6	17,600*	49.0	321.8	19,400*				150
155	39.5	301.7	17,200*	46.8	317.2	18,900*				155
160	36.9	295.2	16,800*	44.6	312.3	18,400*				160
165	34.1	288.0	16,300*	42.2	306.9	17,900*				165
170	31.2	280.1	15,700*	39.8	301.0	17,500*	56.8	326.9	14,100	170
175	27.9	271.0	15,100*	37.2	294.6	17,100*	54.8	323.4	13,400	175
180	24.2	260.6	14,500*	34.5	287.6	16,800*	52.9	319.7	12,700	180
185	19.9	247.9	13,900*	31.6	279.7	16,400*	50.8	315.7	12,100	185
190	14.4	231.1	13,400*	28.3	270.8	16,100*	48.7	311.4	11,500	190
195	3.5	197.2	12,900*	24.7	260.6	15,800*	46.6	306.7	10,900	195
200				20.5	248.3	15,500*	44.3	301.7	10,400	200
205				15.2	232.2	15,300*	42.0	296.3	9,900	205
210				6.2	204.3	15,100*	39.6	290.4	9,400	210
220							34.2	276.8	8,500	220
230							28.0	259.9	7,600	230
240							20.0	236.9	6,800	240
250							4.3	188.3	6,000	250

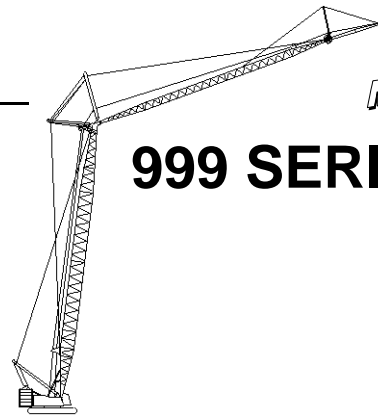


Liftcrane Fixed Jib Capacities

999 SERIES 3

New York City Code
 Fixed Jib No. 138 At
 3 Degree Offset Angle On
 Luffing Jib No. 135 On
 Boom No. 82 or 22EL
 219,600 Lb. Crane Counterweight
 80,000 Lb. Carbody Counterweight
 360 Degree Rating

Designed And Tested
 With The Intent To
 Be In The Scope of
 ANSI B30.5



180 Ft. Boom, 160 Ft. Luffing Jib, 30 Ft. Fixed Jib

Fixed Jib Oper. Rad. Feet	88 Degree Boom Angle			83 Degree Boom Angle			70 Degree Boom Angle			Fixed Jib Oper. Rad. Feet
	Luffing Jib Angle Degrees	Fixed Jib Point Elev. Feet	Fixed Jib Capacity Pounds	Luffing Jib Angle Degrees	Fixed Jib Point Elev. Feet	Fixed Jib Capacity Pounds	Luffing Jib Angle Degrees	Fixed Jib Point Elev. Feet	Fixed Jib Capacity Pounds	
65	75.1	372.0	25,600*							65
70	73.5	370.5	25,200*							70
75	72.0	368.9	25,000*							75
80	70.4	367.2	24,700*							80
85	68.8	365.3	24,500*							85
90	67.1	363.2	24,200*							90
95	65.5	360.9	23,800*	70.6	366.0	23,700*				95
100	63.8	358.5	23,000*	69.0	364.1	23,600*				100
105	62.1	355.9	22,300*	67.4	362.0	23,500*				105
110	60.4	353.1	21,600*	65.7	359.8	23,200*				110
115	58.7	350.1	21,000*	64.0	357.4	23,100*				115
120	56.9	346.9	20,300*	62.4	354.8	22,700*				120
125	55.1	343.5	19,800*	60.6	352.1	22,000*				125
130	53.2	339.8	19,200*	58.9	349.1	21,400*				130
135	51.3	335.8	18,700*	57.1	345.9	20,700*				135
140	49.3	331.6	18,300*	55.3	342.5	20,200*				140
145	47.3	327.1	17,800*	53.4	338.8	19,600*				145
150	45.2	322.2	17,400*	51.5	334.9	19,100*				150
155	43.0	317.0	17,000*	49.6	330.7	18,600*				155
160	40.8	311.3	16,400*	47.6	326.3	18,100*				160
165	38.4	305.1	15,800*	45.5	321.4	17,700*				165
170	35.9	298.4	15,200*	43.3	316.2	17,300*				170
175	33.2	291.0	14,700*	41.1	310.6	16,900*	56.9	335.6	12,800	175
180	30.3	282.8	14,100*	38.7	304.5	16,600*	55.1	332.1	12,200	180
185	27.1	273.4	13,600*	36.2	297.9	16,300*	53.3	328.5	11,500	185
190	23.5	262.6	13,100*	33.5	290.6	15,900*	51.3	324.5	10,900	190
195	19.4	249.6	12,700*	30.7	282.4	15,700*	49.4	320.3	10,400	195
200	14.0	232.3	12,300*	27.5	273.3	15,400*	47.4	315.8	9,900	200
205	3.4	197.5	11,900*	24.0	262.7	15,100*	45.3	310.9	9,300	205
210				19.9	250.0	14,900*	43.1	305.7	8,900	210
220				6.0	204.8	14,400*	38.5	293.9	8,000	220
230							33.3	279.8	7,100	230
240							27.2	262.3	6,400	240
250							19.5	238.6	5,600	250
260							4.2	188.6	4,900	260

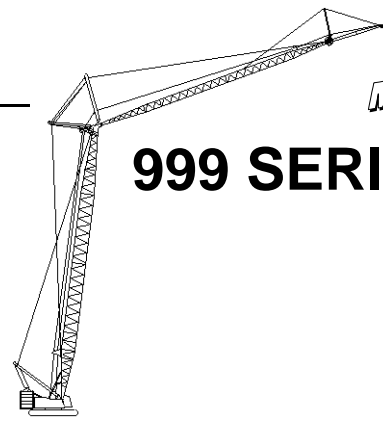


Liftcrane Fixed Jib Capacities

999 SERIES 3

New York City Code
Fixed Jib No. 138 At
3 Degree Offset Angle On
Luffing Jib No. 135 On
Boom No. 82 or 22EL
219,600 Lb. Crane Counterweight
80,000 Lb. Carbody Counterweight
360 Degree Rating

Designed And Tested
With The Intent To
Be In The Scope of
ANSI B30.5



180 Ft. Boom, 170 Ft. Luffing Jib, 30 Ft. Fixed Jib

Fixed Jib Oper. Rad. Feet	88 Degree Boom Angle			83 Degree Boom Angle			70 Degree Boom Angle			Fixed Jib Oper. Rad. Feet
	Luffing Jib Angle Degrees	Fixed Jib Point Elev. Feet	Fixed Jib Capacity Pounds	Luffing Jib Angle Degrees	Fixed Jib Point Elev. Feet	Fixed Jib Capacity Pounds	Luffing Jib Angle Degrees	Fixed Jib Point Elev. Feet	Fixed Jib Capacity Pounds	
65	75.9	382.3	22,900*							65
70	74.4	381.0	22,800*							70
75	72.9	379.4	22,400*							75
80	71.4	377.8	22,100*							80
85	69.9	376.0	21,900*							85
90	68.3	374.0	21,600*							90
95	66.8	371.9	21,300*							95
100	65.2	369.6	21,100*	70.1	374.8	21,100*				100
105	63.6	367.2	20,900*	68.5	372.9	20,800*				105
110	62.0	364.6	20,700*	67.0	370.8	20,700*				110
115	60.4	361.8	20,500*	65.4	368.5	20,500*				115
120	58.7	358.8	19,900*	63.8	366.1	20,300*				120
125	57.0	355.6	19,300*	62.2	363.5	20,200*				125
130	55.3	352.2	18,800*	60.6	360.7	20,000*				130
135	53.6	348.5	18,300*	59.0	357.8	19,900*				135
140	51.8	344.7	17,800*	57.3	354.6	19,700*				140
145	49.9	340.5	17,300*	55.5	351.2	19,200*				145
150	48.0	336.1	16,800*	53.8	347.6	18,700*				150
155	46.0	331.3	16,200*	52.0	343.7	18,200*				155
160	44.0	326.3	15,700*	50.1	339.6	17,800*				160
165	41.9	320.8	15,200*	48.2	335.2	17,400*				165
170	39.7	314.9	14,700*	46.3	330.5	17,000*				170
175	37.4	308.5	14,200*	44.3	325.5	16,600*				175
180	34.9	301.6	13,700*	42.2	320.1	16,300*	57.1	344.3	11,800	180
185	32.3	293.9	13,200*	40.0	314.3	16,000*	55.4	340.8	11,100	185
190	29.5	285.4	12,800*	37.7	307.9	15,700*	53.6	337.2	10,600	190
195	26.4	275.8	12,400*	35.2	301.1	15,400*	51.8	333.3	10,000	195
200	22.9	264.7	12,000*	32.7	293.5	15,100*	50.0	329.2	9,500	200
205	18.8	251.2	11,600*	29.9	285.1	14,900*	48.1	324.8	9,000	205
210	13.6	233.5	11,300*	26.8	275.7	14,600*	46.1	320.1	8,500	210
220				19.4	251.7	14,200*	42.0	309.5	7,600	220
230				5.8	205.2	12,800*	37.4	297.3	6,800	230
240							32.4	282.7	6,000	240
250							26.5	264.6	5,300	250
260							19.0	240.2	4,600	260

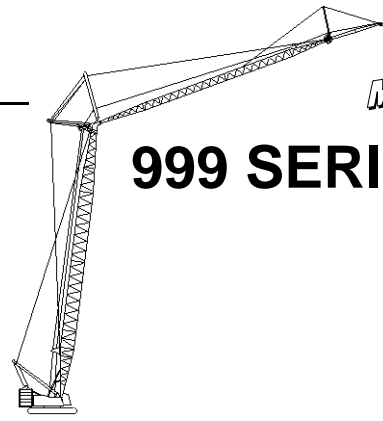


Liftcrane Fixed Jib Capacities

999 SERIES 3

New York City Code
 Fixed Jib No. 138 At
 3 Degree Offset Angle On
 Luffing Jib No. 135 On
 Boom No. 82 or 22EL
 219,600 Lb. Crane Counterweight
 80,000 Lb. Carbody Counterweight
 360 Degree Rating

Designed And Tested
 With The Intent To
 Be In The Scope of
 ANSI B30.5



180 Ft. Boom, 140 Ft. Luffing Jib, 40 Ft. Fixed Jib

Fixed Jib Oper. Rad. Feet	88 Degree Boom Angle			83 Degree Boom Angle			70 Degree Boom Angle			Fixed Jib Oper. Rad. Feet
	Luffing Jib Angle Degrees	Fixed Jib Point Elev. Feet	Fixed Jib Capacity Pounds	Luffing Jib Angle Degrees	Fixed Jib Point Elev. Feet	Fixed Jib Capacity Pounds	Luffing Jib Angle Degrees	Fixed Jib Point Elev. Feet	Fixed Jib Capacity Pounds	
65	74.7	361.5	22,500*							65
70	73.0	360.0	22,200*							70
75	71.3	358.3	22,000*							75
80	69.6	356.4	21,700*							80
85	67.9	354.4	21,500*							85
90	66.2	352.2	21,200*							90
95	64.5	349.8	21,000*	69.9	355.3	21,900*				95
100	62.7	347.2	20,300*	68.2	353.2	21,700*				100
105	60.9	344.4	19,600*	66.4	351.1	21,500*				105
110	59.0	341.4	18,900*	64.7	348.7	21,300*				110
115	57.1	338.2	18,300*	62.9	346.1	20,700*				115
120	55.2	334.7	17,700*	61.1	343.3	20,000*				120
125	53.2	331.0	17,100*	59.2	340.4	19,300*				125
130	51.2	326.9	16,600*	57.4	337.2	18,600*				130
135	49.1	322.6	16,200*	55.4	333.7	18,000*				135
140	46.9	318.0	15,700*	53.5	330.0	17,500*				140
145	44.7	312.9	15,300*	51.4	326.0	16,900*				145
150	42.3	307.5	14,900*	49.4	321.8	16,500*				150
155	39.9	301.6	14,500*	47.2	317.2	16,000*				155
160	37.3	295.1	14,200*	45.0	312.2	15,600*				160
165	34.5	287.9	13,900*	42.6	306.8	15,200*				165
170	31.6	280.0	13,600*	40.2	300.9	14,800*	57.2	326.8	14,400	170
175	28.3	270.9	13,300*	37.6	294.5	14,400*	55.2	323.4	13,700	175
180	24.6	260.5	13,100*	34.9	287.5	14,100*	53.3	319.6	13,000	180
185	20.3	247.8	12,900*	31.9	279.6	13,800*	51.2	315.6	12,400	185
190	14.7	230.9	12,700*	28.7	270.7	13,500*	49.2	311.3	11,800	190
195	3.6	196.3	12,500*	25.1	260.5	13,300*	47.0	306.7	11,200	195
200				20.9	248.1	13,000*	44.8	301.7	10,700	200
205				15.5	232.0	12,800*	42.4	296.2	10,200	205
210				6.5	203.8	12,700*	40.0	290.3	9,700	210
220							34.6	276.7	8,800	220
230							28.4	259.8	7,900	230
240							20.4	236.7	7,100	240
250							4.5	187.6	6,300	250

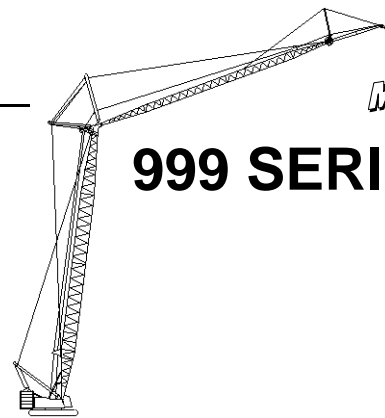


Liftcrane Fixed Jib Capacities

999 SERIES 3

New York City Code
Fixed Jib No. 138 At
3 Degree Offset Angle On
Luffing Jib No. 135 On
Boom No. 82 or 22EL
219,600 Lb. Crane Counterweight
80,000 Lb. Carbody Counterweight
360 Degree Rating

Designed And Tested
With The Intent To
Be In The Scope of
ANSI B30.5



180 Ft. Boom, 150 Ft. Luffing Jib, 40 Ft. Fixed Jib

Fixed Jib Oper. Rad. Feet	88 Degree Boom Angle			83 Degree Boom Angle			70 Degree Boom Angle			Fixed Jib Oper. Rad. Feet
	Luffing Jib Angle Degrees	Fixed Jib Point Elev. Feet	Fixed Jib Capacity Pounds	Luffing Jib Angle Degrees	Fixed Jib Point Elev. Feet	Fixed Jib Capacity Pounds	Luffing Jib Angle Degrees	Fixed Jib Point Elev. Feet	Fixed Jib Capacity Pounds	
65	75.5	371.9	22,100*							65
70	73.9	370.5	21,800*							70
75	72.4	368.9	21,600*							75
80	70.8	367.1	21,300*							80
85	69.2	365.2	21,100*							85
90	67.5	363.1	20,900*							90
95	65.9	360.9	20,600*	71.0	365.9	21,500*				95
100	64.2	358.5	19,900*	69.4	364.0	21,300*				100
105	62.5	355.9	19,200*	67.7	362.0	21,100*				105
110	60.8	353.1	18,600*	66.1	359.8	21,000*				110
115	59.1	350.1	18,000*	64.4	357.4	20,300*				115
120	57.3	346.8	17,400*	62.7	354.8	19,600*				120
125	55.5	343.4	16,900*	61.0	352.0	18,900*				125
130	53.6	339.7	16,400*	59.3	349.0	18,300*				130
135	51.7	335.8	15,900*	57.5	345.8	17,700*				135
140	49.7	331.6	15,500*	55.7	342.4	17,200*				140
145	47.7	327.0	15,100*	53.8	338.8	16,700*				145
150	45.6	322.1	14,700*	51.9	334.9	16,200*				150
155	43.4	316.9	14,300*	50.0	330.7	15,800*				155
160	41.1	311.2	14,000*	48.0	326.2	15,300*				160
165	38.8	305.1	13,700*	45.9	321.4	14,900*				165
170	36.2	298.3	13,400*	43.7	316.2	14,600*				170
175	33.6	290.9	13,100*	41.4	310.5	14,200*	57.3	335.5	13,500	175
180	30.7	282.7	12,900*	39.1	304.4	13,900*	55.5	332.1	12,800	180
185	27.5	273.3	12,600*	36.6	297.8	13,600*	53.6	328.4	12,200	185
190	23.9	262.5	12,400*	33.9	290.5	13,300*	51.7	324.5	11,600	190
195	19.7	249.4	12,200*	31.1	282.3	13,000*	49.8	320.2	11,000	195
200	14.3	232.1	11,800*	27.9	273.2	12,800*	47.7	315.7	10,500	200
205	3.5	196.5	11,400*	24.4	262.6	12,600*	45.7	310.9	10,000	205
210				20.3	249.8	12,400*	43.5	305.6	9,500	210
220				6.3	204.3	12,000*	38.8	293.8	8,600	220
230							33.6	279.7	7,800	230
240							27.6	262.2	7,000	240
250							19.8	238.4	6,200	250
260							4.3	187.8	5,500	260

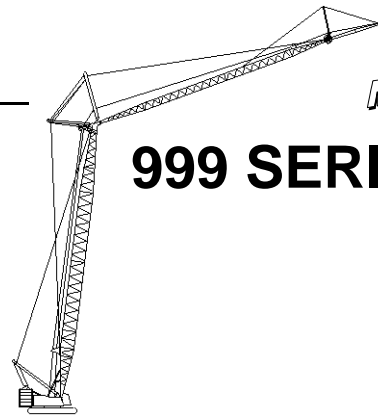


Liftcrane Fixed Jib Capacities

999 SERIES 3

New York City Code
 Fixed Jib No. 138 At
 3 Degree Offset Angle On
 Luffing Jib No. 135 On
 Boom No. 82 or 22EL
 219,600 Lb. Crane Counterweight
 80,000 Lb. Carbody Counterweight
 360 Degree Rating

Designed And Tested
 With The Intent To
 Be In The Scope of
 ANSI B30.5



180 Ft. Boom, 160 Ft. Luffing Jib, 40 Ft. Fixed Jib

Fixed Jib Oper. Rad. Feet	88 Degree Boom Angle			83 Degree Boom Angle			70 Degree Boom Angle			Fixed Jib Oper. Rad. Feet
	Luffing Jib Angle Degrees	Fixed Jib Point Elev. Feet	Fixed Jib Capacity Pounds	Luffing Jib Angle Degrees	Fixed Jib Point Elev. Feet	Fixed Jib Capacity Pounds	Luffing Jib Angle Degrees	Fixed Jib Point Elev. Feet	Fixed Jib Capacity Pounds	
70	74.8	380.9	21,300*							70
75	73.3	379.4	21,100*							75
80	71.8	377.7	20,900*							80
85	70.2	375.9	20,700*							85
90	68.7	374.0	20,500*							90
95	67.2	371.9	20,200*							95
100	65.6	369.6	19,500*	70.4	374.7	20,600*				100
105	64.0	367.1	18,800*	68.9	372.8	20,400*				105
110	62.4	364.5	18,200*	67.4	370.7	20,300*				110
115	60.8	361.7	17,600*	65.8	368.5	19,900*				115
120	59.1	358.7	17,100*	64.2	366.0	19,200*				120
125	57.4	355.5	16,600*	62.6	363.4	18,600*				125
130	55.7	352.1	16,100*	61.0	360.7	18,000*				130
135	53.9	348.5	15,700*	59.3	357.7	17,400*				135
140	52.1	344.6	15,300*	57.6	354.5	16,900*				140
145	50.3	340.5	14,900*	55.9	351.1	16,400*				145
150	48.4	336.0	14,500*	54.2	347.5	16,000*				150
155	46.4	331.3	14,200*	52.4	343.7	15,500*				155
160	44.4	326.2	13,800*	50.5	339.6	15,100*				160
165	42.2	320.7	13,500*	48.6	335.2	14,700*				165
170	40.0	314.8	13,200*	46.7	330.5	14,400*				170
175	37.7	308.4	13,000*	44.6	325.4	14,000*				175
180	35.3	301.5	12,700*	42.5	320.0	13,700*	57.5	344.2	12,300	180
185	32.7	293.8	12,500*	40.3	314.2	13,400*	55.7	340.8	11,600	185
190	29.9	285.3	12,300*	38.0	307.9	13,200*	54.0	337.2	11,100	190
195	26.8	275.7	12,000*	35.6	301.0	12,900*	52.2	333.3	10,500	195
200	23.3	264.5	11,600*	33.0	293.4	12,600*	50.3	329.1	10,000	200
205	19.2	251.1	11,200*	30.2	285.0	12,400*	48.4	324.7	9,500	205
210	13.9	233.3	10,900*	27.2	275.5	12,200*	46.5	320.0	9,000	210
220				19.8	251.5	11,800*	42.3	309.5	8,100	220
230				6.1	204.7	11,600*	37.8	297.2	7,300	230
240							32.8	282.6	6,500	240
250							26.9	264.5	5,800	250
260							19.3	240.1	5,100	260
270							4.2	188.1	4,400	270

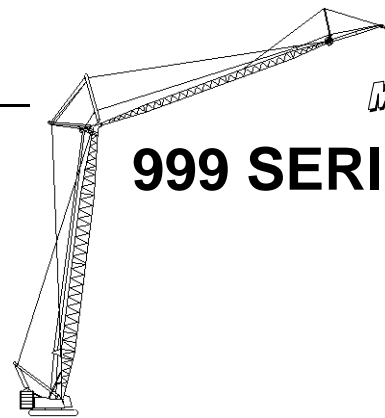


Liftcrane Fixed Jib Capacities

999 SERIES 3

New York City Code
Fixed Jib No. 138 At
3 Degree Offset Angle On
Luffing Jib No. 135 On
Boom No. 82 or 22EL
219,600 Lb. Crane Counterweight
80,000 Lb. Carbody Counterweight
360 Degree Rating

Designed And Tested
With The Intent To
Be In The Scope of
ANSI B30.5



180 Ft. Boom, 170 Ft. Luffing Jib, 40 Ft. Fixed Jib

Fixed Jib Oper. Rad. Feet	88 Degree Boom Angle			83 Degree Boom Angle			70 Degree Boom Angle			Fixed Jib Oper. Rad. Feet
	Luffing Jib Angle Degrees	Fixed Jib Point Elev. Feet	Fixed Jib Capacity Pounds	Luffing Jib Angle Degrees	Fixed Jib Point Elev. Feet	Fixed Jib Capacity Pounds	Luffing Jib Angle Degrees	Fixed Jib Point Elev. Feet	Fixed Jib Capacity Pounds	
70	75.5	391.3	20,200*							70
75	74.1	389.9	19,900*							75
80	72.7	388.3	19,700*							80
85	71.2	386.6	19,400*							85
90	69.8	384.7	19,200*							90
95	68.3	382.7	18,900*							95
100	66.8	380.6	18,700*							100
105	65.3	378.3	18,400*	70.0	383.5	18,500*				105
110	63.8	375.8	17,800*	68.5	381.6	18,300*				110
115	62.3	373.2	17,200*	67.0	379.4	18,200*				115
120	60.7	370.4	16,700*	65.5	377.2	18,000*				120
125	59.1	367.4	16,200*	64.0	374.7	17,900*				125
130	57.5	364.2	15,800*	62.5	372.1	17,500*				130
135	55.9	360.8	15,400*	60.9	369.3	17,000*				135
140	54.2	357.2	15,000*	59.4	366.4	16,500*				140
145	52.5	353.4	14,600*	57.7	363.2	16,100*				145
150	50.8	349.3	14,200*	56.1	359.8	15,600*				150
155	49.0	345.0	13,900*	54.4	356.3	15,200*				155
160	47.1	340.4	13,600*	52.7	352.5	14,800*				160
165	45.2	335.4	13,300*	51.0	348.4	14,500*				165
170	43.2	330.1	13,000*	49.2	344.1	14,100*				170
175	41.2	324.5	12,700*	47.4	339.5	13,800*				175
180	39.0	318.3	12,500*	45.5	334.6	13,500*				180
185	36.8	311.7	12,300*	43.5	329.4	13,200*	57.6	352.9	11,200	185
190	34.4	304.5	12,000*	41.4	323.8	12,900*	55.9	349.5	10,700	190
195	31.8	296.6	11,700*	39.3	317.7	12,700*	54.3	345.9	10,100	195
200	29.1	287.8	11,400*	37.1	311.2	12,400*	52.6	342.1	9,600	200
205	26.1	277.9	11,000*	34.7	304.1	12,200*	50.8	338.0	9,100	205
210	22.7	266.5	10,600*	32.2	296.2	12,000*	49.0	333.7	8,600	210
220	13.6	234.4	10,000*	26.5	277.8	11,600*	45.3	324.1	7,700	220
230				19.3	253.2	11,300*	41.2	313.2	6,900	230
240				5.9	205.1	11,000*	36.8	300.5	6,100	240
250							31.9	285.4	5,400	250
260							26.2	266.8	4,800	260
270							18.8	241.7	4,200	270

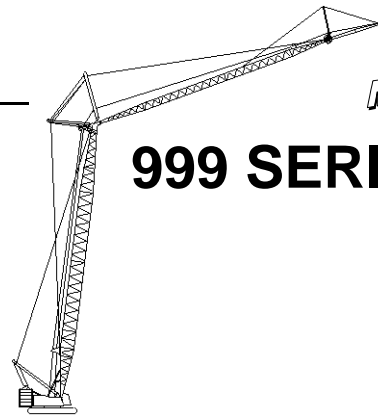


Liftcrane Fixed Jib Capacities

999 SERIES 3

New York City Code
 Fixed Jib No. 138 At
 3 Degree Offset Angle On
 Luffing Jib No. 135 On
 Boom No. 82 or 22EL
 219,600 Lb. Crane Counterweight
 80,000 Lb. Carbody Counterweight
 360 Degree Rating

Designed And Tested
 With The Intent To
 Be In The Scope of
 ANSI B30.5



180 Ft. Boom, 140 Ft. Luffing Jib, 50 Ft. Fixed Jib

Fixed Jib Oper. Rad. Feet	88 Degree Boom Angle			83 Degree Boom Angle			70 Degree Boom Angle			Fixed Jib Oper. Rad. Feet
	Luffing Jib Angle Degrees	Fixed Jib Point Elev. Feet	Fixed Jib Capacity Pounds	Luffing Jib Angle Degrees	Fixed Jib Point Elev. Feet	Fixed Jib Capacity Pounds	Luffing Jib Angle Degrees	Fixed Jib Point Elev. Feet	Fixed Jib Capacity Pounds	
65	75.6	371.9	19,300*							65
70	74.0	370.5	19,000*							70
75	72.5	368.9	18,800*							75
80	70.9	367.1	18,500*							80
85	69.3	365.2	18,300*							85
90	67.6	363.1	18,100*							90
95	66.0	360.9	17,800*							95
100	64.3	358.5	17,600*	69.5	364.0	18,500*				100
105	62.6	355.9	17,300*	67.8	362.0	18,300*				105
110	60.9	353.1	16,700*	66.2	359.8	18,100*				110
115	59.2	350.1	16,100*	64.5	357.4	17,900*				115
120	57.4	346.9	15,500*	62.8	354.8	17,600*				120
125	55.5	343.4	15,000*	61.1	352.0	17,000*				125
130	53.7	339.7	14,600*	59.4	349.0	16,400*				130
135	51.8	335.8	14,100*	57.6	345.9	15,900*				135
140	49.8	331.6	13,700*	55.8	342.4	15,300*				140
145	47.8	327.0	13,300*	53.9	338.8	14,800*				145
150	45.7	322.2	13,000*	52.0	334.9	14,400*				150
155	43.5	316.9	12,600*	50.1	330.7	14,000*				155
160	41.2	311.2	12,300*	48.0	326.2	13,600*				160
165	38.9	305.1	12,000*	46.0	321.4	13,200*				165
170	36.3	298.3	11,700*	43.8	316.2	12,900*				170
175	33.7	290.9	11,500*	41.5	310.6	12,500*	57.4	335.5	13,700	175
180	30.8	282.7	11,200*	39.2	304.5	12,200*	55.6	332.1	13,100	180
185	27.6	273.4	11,000*	36.7	297.8	11,900*	53.7	328.4	12,400	185
190	24.0	262.5	10,800*	34.0	290.5	11,700*	51.8	324.5	11,800	190
195	19.8	249.5	10,600*	31.2	282.4	11,400*	49.9	320.3	11,300	195
200	14.4	232.1	10,500*	28.0	273.2	11,200*	47.8	315.7	10,700	200
205	3.6	196.6	10,400*	24.5	262.6	10,900*	45.8	310.9	10,200	205
210				20.4	249.9	10,800*	43.6	305.6	9,800	210
220				6.4	204.3	10,400*	38.9	293.8	8,900	220
230							33.7	279.7	8,000	230
240							27.7	262.2	7,300	240
250							19.9	238.4	6,500	250
260							4.5	188.0	5,800	260

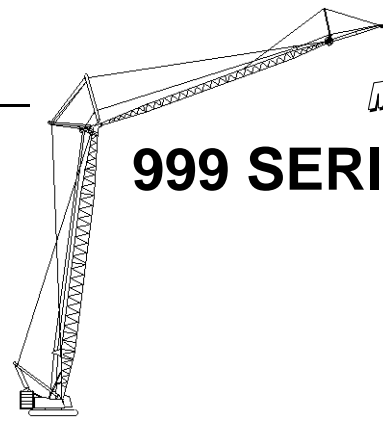


Liftcrane Fixed Jib Capacities

999 SERIES 3

New York City Code
 Fixed Jib No. 138 At
 3 Degree Offset Angle On
 Luffing Jib No. 135 On
 Boom No. 82 or 22EL
 219,600 Lb. Crane Counterweight
 80,000 Lb. Carbody Counterweight
 360 Degree Rating

Designed And Tested
 With The Intent To
 Be In The Scope of
 ANSI B30.5



180 Ft. Boom, 150 Ft. Luffing Jib, 50 Ft. Fixed Jib

Fixed Jib Oper. Rad. Feet	88 Degree Boom Angle			83 Degree Boom Angle			70 Degree Boom Angle			Fixed Jib Oper. Rad. Feet
	Luffing Jib Angle Degrees	Fixed Jib Point Elev. Feet	Fixed Jib Capacity Pounds	Luffing Jib Angle Degrees	Fixed Jib Point Elev. Feet	Fixed Jib Capacity Pounds	Luffing Jib Angle Degrees	Fixed Jib Point Elev. Feet	Fixed Jib Capacity Pounds	
70	74.8	380.9	18,700*							70
75	73.4	379.4	18,500*							75
80	71.9	377.7	18,200*							80
85	70.3	375.9	18,000*							85
90	68.8	374.0	17,800*							90
95	67.3	371.9	17,600*							95
100	65.7	369.6	17,400*	70.5	374.8	18,200*				100
105	64.1	367.2	17,000*	69.0	372.8	18,000*				105
110	62.5	364.5	16,400*	67.5	370.7	17,800*				110
115	60.9	361.7	15,800*	65.9	368.5	17,600*				115
120	59.2	358.7	15,300*	64.3	366.0	17,300*				120
125	57.5	355.5	14,800*	62.7	363.4	16,700*				125
130	55.8	352.1	14,300*	61.1	360.7	16,100*				130
135	54.0	348.5	13,900*	59.4	357.7	15,600*				135
140	52.2	344.6	13,500*	57.7	354.5	15,100*				140
145	50.4	340.5	13,100*	56.0	351.1	14,600*				145
150	48.5	336.0	12,800*	54.2	347.5	14,200*				150
155	46.5	331.3	12,500*	52.4	343.7	13,800*				155
160	44.5	326.2	12,100*	50.6	339.6	13,400*				160
165	42.3	320.7	11,900*	48.7	335.2	13,000*				165
170	40.1	314.8	11,600*	46.7	330.5	12,700*				170
175	37.8	308.5	11,300*	44.7	325.4	12,300*				175
180	35.4	301.5	11,100*	42.6	320.0	12,000*	57.6	344.2	12,900	180
185	32.8	293.8	10,800*	40.4	314.2	11,800*	55.8	340.8	12,200	185
190	29.9	285.3	10,600*	38.1	307.9	11,500*	54.1	337.2	11,600	190
195	26.9	275.7	10,400*	35.7	301.0	11,200*	52.3	333.3	11,100	195
200	23.4	264.5	10,300*	33.1	293.4	11,000*	50.4	329.1	10,500	200
205	19.3	251.1	10,100*	30.3	285.0	10,800*	48.5	324.7	10,000	205
210	14.0	233.3	9,900*	27.3	275.6	10,600*	46.5	320.0	9,600	210
220				19.9	251.6	10,200*	42.4	309.5	8,700	220
230				6.2	204.8	9,900*	37.9	297.2	7,800	230
240							32.8	282.6	7,100	240
250							27.0	264.5	6,400	250
260							19.4	240.1	5,700	260
270							4.3	188.2	5,000	270

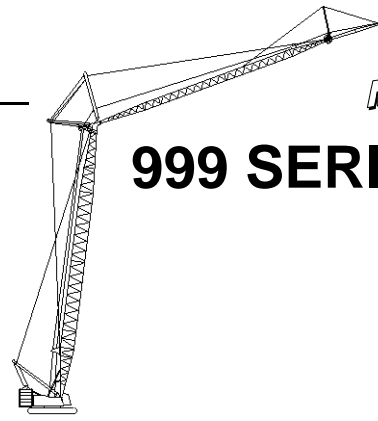


Liftcrane Fixed Jib Capacities

999 SERIES 3

New York City Code
 Fixed Jib No. 138 At
 3 Degree Offset Angle On
 Luffing Jib No. 135 On
 Boom No. 82 or 22EL
 219,600 Lb. Crane Counterweight
 80,000 Lb. Carbody Counterweight
 360 Degree Rating

Designed And Tested
 With The Intent To
 Be In The Scope of
 ANSI B30.5



180 Ft. Boom, 160 Ft. Luffing Jib, 50 Ft. Fixed Jib

Fixed Jib Oper. Rad. Feet	88 Degree Boom Angle			83 Degree Boom Angle			70 Degree Boom Angle			Fixed Jib Oper. Rad. Feet
	Luffing Jib Angle Degrees	Fixed Jib Point Elev. Feet	Fixed Jib Capacity Pounds	Luffing Jib Angle Degrees	Fixed Jib Point Elev. Feet	Fixed Jib Capacity Pounds	Luffing Jib Angle Degrees	Fixed Jib Point Elev. Feet	Fixed Jib Capacity Pounds	
70	75.6	391.3	18,300*							70
75	74.2	389.9	18,100*							75
80	72.7	388.3	17,900*							80
85	71.3	386.6	17,700*							85
90	69.9	384.7	17,400*							90
95	68.4	382.7	17,200*							95
100	66.9	380.6	16,900*							100
105	65.4	378.3	16,600*	70.0	383.6	17,000*				105
110	63.9	375.8	16,100*	68.6	381.6	16,800*				110
115	62.4	373.2	15,500*	67.1	379.4	16,600*				115
120	60.8	370.4	15,000*	65.6	377.2	16,500*				120
125	59.2	367.4	14,600*	64.1	374.7	16,200*				125
130	57.6	364.2	14,100*	62.6	372.1	15,800*				130
135	56.0	360.8	13,700*	61.0	369.3	15,300*				135
140	54.3	357.2	13,300*	59.4	366.4	14,800*				140
145	52.6	353.4	13,000*	57.8	363.2	14,400*				145
150	50.8	349.3	12,600*	56.2	359.9	14,000*				150
155	49.1	345.0	12,300*	54.5	356.3	13,600*				155
160	47.2	340.4	12,000*	52.8	352.5	13,200*				160
165	45.3	335.4	11,700*	51.1	348.4	12,800*				165
170	43.3	330.1	11,400*	49.3	344.1	12,500*				170
175	41.3	324.5	11,200*	47.4	339.5	12,200*				175
180	39.1	318.4	10,900*	45.5	334.6	11,900*				180
185	36.9	311.7	10,700*	43.6	329.4	11,600*	57.7	352.9	11,700	185
190	34.5	304.5	10,500*	41.5	323.8	11,300*	56.0	349.5	11,100	190
195	31.9	296.6	10,300*	39.4	317.7	11,100*	54.4	345.9	10,500	195
200	29.2	287.9	10,100*	37.2	311.2	10,900*	52.7	342.1	10,000	200
205	26.2	277.9	9,900*	34.8	304.1	10,600*	50.9	338.0	9,500	205
210	22.8	266.5	9,800*	32.3	296.3	10,400*	49.1	333.7	9,000	210
220	13.6	234.4	9,500*	26.6	277.9	10,100*	45.3	324.1	8,200	220
230				19.3	253.2	9,700*	41.3	313.2	7,300	230
240				6.0	205.2	9,500*	36.9	300.5	6,600	240
250							32.0	285.4	5,900	250
260							26.3	266.8	5,300	260
270							18.9	241.7	4,600	270
280							4.2	188.5	4,000	280

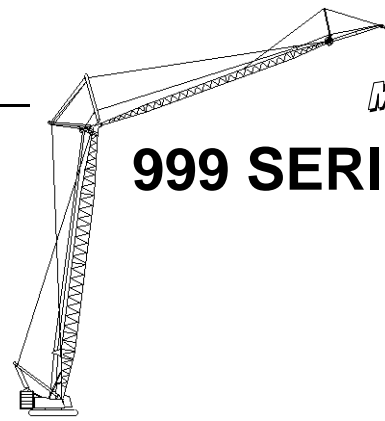


Liftcrane Fixed Jib Capacities

999 SERIES 3

New York City Code
Fixed Jib No. 138 At
3 Degree Offset Angle On
Luffing Jib No. 135 On
Boom No. 82 or 22EL
219,600 Lb. Crane Counterweight
80,000 Lb. Carbody Counterweight
360 Degree Rating

Designed And Tested
With The Intent To
Be In The Scope of
ANSI B30.5



180 Ft. Boom, 170 Ft. Luffing Jib, 50 Ft. Fixed Jib

Fixed Jib Oper. Rad. Feet	88 Degree Boom Angle			83 Degree Boom Angle			70 Degree Boom Angle			Fixed Jib Oper. Rad. Feet
	Luffing Jib Angle Degrees	Fixed Jib Point Elev. Feet	Fixed Jib Capacity Pounds	Luffing Jib Angle Degrees	Fixed Jib Point Elev. Feet	Fixed Jib Capacity Pounds	Luffing Jib Angle Degrees	Fixed Jib Point Elev. Feet	Fixed Jib Capacity Pounds	
75	74.9	400.3	17,000*							75
80	73.6	398.8	16,800*							80
85	72.2	397.2	16,500*							85
90	70.8	395.4	16,300*							90
95	69.4	393.5	16,100*							95
100	68.0	391.5	15,900*							100
105	66.6	389.3	15,700*	71.0	394.2	15,900*				105
110	65.2	387.0	15,500*	69.6	392.3	15,700*				110
115	63.7	384.5	15,200*	68.2	390.3	15,500*				115
120	62.3	381.9	14,700*	66.8	388.2	15,300*				120
125	60.8	379.0	14,300*	65.4	385.9	15,200*				125
130	59.3	376.1	13,800*	63.9	383.4	15,000*				130
135	57.7	372.9	13,400*	62.5	380.8	14,900*				135
140	56.2	369.5	13,100*	61.0	378.0	14,500*				140
145	54.6	366.0	12,700*	59.5	375.0	14,100*				145
150	53.0	362.2	12,400*	57.9	371.9	13,700*				150
155	51.3	358.2	12,100*	56.4	368.5	13,300*				155
160	49.6	353.9	11,800*	54.8	365.0	12,900*				160
165	47.8	349.4	11,500*	53.2	361.3	12,600*				165
170	46.0	344.6	11,200*	51.5	357.3	12,300*				170
175	44.2	339.4	11,000*	49.8	353.1	12,000*				175
180	42.3	334.0	10,700*	48.1	348.6	11,700*				180
185	40.3	328.1	10,500*	46.3	343.8	11,400*				185
190	38.2	321.8	10,300*	44.4	338.7	11,100*	57.8	361.6	10,700	190
195	36.0	314.9	10,100*	42.5	333.3	10,900*	56.2	358.2	10,100	195
200	33.6	307.5	9,900*	40.5	327.4	10,700*	54.6	354.6	9,600	200
205	31.2	299.4	9,800*	38.4	321.2	10,500*	53.0	350.9	9,100	205
210	28.5	290.3	9,600*	36.3	314.4	10,200*	51.3	346.9	8,700	210
220	22.2	268.4	9,300*	31.5	299.0	9,900*	47.9	338.1	7,800	220
230	13.3	235.5	8,900*	25.9	280.1	9,600*	44.2	328.2	7,000	230
240				18.9	254.8	9,300*	40.3	316.8	6,200	240
250				5.8	205.7	9,100*	36.0	303.7	5,500	250
260							31.2	288.2	4,900	260
270							25.6	269.0	4,300	270



Liftcrane Fixed Jib Capacities

999 SERIES 3

New York City Code

Fixed Jib No. 138 At

3 Degree Offset Angle On

Luffing Jib No. 135 On

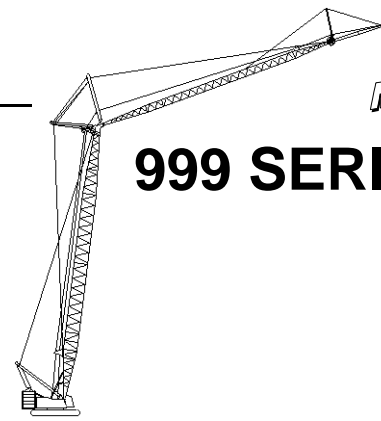
Boom No. 82 or 22EL

219,600 Lb. Crane Counterweight

80,000 Lb. Carbody Counterweight

360 Degree Rating

Designed And Tested
With The Intent To
Be In The Scope of
ANSI B30.5



180 Ft. Boom, 140 Ft. Luffing Jib, 60 Ft. Fixed Jib

Fixed Jib Oper. Rad. Feet	88 Degree Boom Angle			83 Degree Boom Angle			70 Degree Boom Angle			Fixed Jib Oper. Rad. Feet
	Luffing Jib Angle Degrees	Fixed Jib Point Elev. Feet	Fixed Jib Capacity Pounds	Luffing Jib Angle Degrees	Fixed Jib Point Elev. Feet	Fixed Jib Capacity Pounds	Luffing Jib Angle Degrees	Fixed Jib Point Elev. Feet	Fixed Jib Capacity Pounds	
70	74.6	381.0	16,200*							70
75	73.2	379.4	15,800*							75
80	71.7	377.8	15,500*							80
85	70.1	376.0	15,200*							85
90	68.6	374.0	14,900*							90
95	67.1	371.9	14,600*							95
100	65.5	369.6	14,300*	70.3	374.8	15,000*				100
105	63.9	367.2	14,000*	68.8	372.9	14,700*				105
110	62.3	364.6	13,700*	67.3	370.8	14,400*				110
115	60.7	361.8	13,400*	65.7	368.5	14,100*				115
120	59.0	358.8	13,200*	64.1	366.1	13,900*				120
125	57.3	355.6	13,000*	62.5	363.5	13,600*				125
130	55.6	352.2	12,700*	60.9	360.7	13,400*				130
135	53.8	348.5	12,500*	59.2	357.8	13,200*				135
140	52.0	344.7	12,300*	57.5	354.6	12,900*				140
145	50.2	340.5	11,900*	55.8	351.2	12,700*				145
150	48.3	336.1	11,600*	54.1	347.6	12,500*				150
155	46.3	331.3	11,300*	52.3	343.7	12,300*				155
160	44.3	326.3	11,000*	50.4	339.6	12,100*				160
165	42.2	320.8	10,700*	48.5	335.2	11,800*				165
170	40.0	314.9	10,400*	46.6	330.5	11,500*				170
175	37.6	308.5	10,200*	44.5	325.5	11,200*				175
180	35.2	301.6	10,000*	42.4	320.1	10,900*	57.4	344.3	12,100*	180
185	32.6	293.9	9,700*	40.2	314.3	10,600*	55.6	340.8	12,000*	185
190	29.8	285.4	9,500*	37.9	307.9	10,300*	53.9	337.2	11,800	190
195	26.7	275.8	9,300*	35.5	301.1	10,100*	52.1	333.3	11,300	195
200	23.2	264.7	9,000*	32.9	293.5	9,900*	50.2	329.2	10,800	200
205	19.1	251.2	8,800*	30.1	285.1	9,600*	48.3	324.8	10,300	205
210	13.9	233.5	8,600*	27.1	275.7	9,400*	46.4	320.1	9,800	210
220				19.7	251.7	9,100*	42.2	309.5	8,900	220
230				6.1	205.2	8,700*	37.7	297.3	8,100	230
240							32.7	282.7	7,300	240
250							26.8	264.6	6,600	250
260							19.2	240.2	6,000	260
270							4.3	188.9	5,300	270

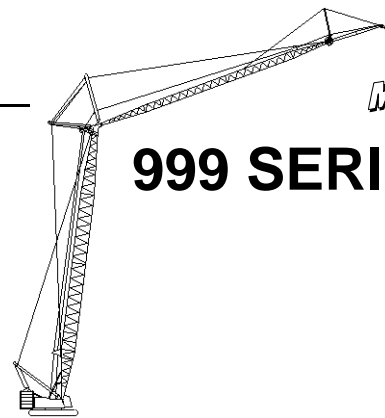


Liftcrane Fixed Jib Capacities

999 SERIES 3

New York City Code
Fixed Jib No. 138 At
3 Degree Offset Angle On
Luffing Jib No. 135 On
Boom No. 82 or 22EL
219,600 Lb. Crane Counterweight
80,000 Lb. Carbody Counterweight
360 Degree Rating

Designed And Tested
With The Intent To
Be In The Scope of
ANSI B30.5



180 Ft. Boom, 150 Ft. Luffing Jib, 60 Ft. Fixed Jib

Fixed Jib Oper. Rad. Feet	88 Degree Boom Angle			83 Degree Boom Angle			70 Degree Boom Angle			Fixed Jib Oper. Rad. Feet
	Luffing Jib Angle Degrees	Fixed Jib Point Elev. Feet	Fixed Jib Capacity Pounds	Luffing Jib Angle Degrees	Fixed Jib Point Elev. Feet	Fixed Jib Capacity Pounds	Luffing Jib Angle Degrees	Fixed Jib Point Elev. Feet	Fixed Jib Capacity Pounds	
70	75.4	391.3	15,600*							70
75	74.0	389.9	15,300*							75
80	72.6	388.3	15,000*							80
85	71.1	386.6	14,700*							85
90	69.7	384.8	14,500*							90
95	68.2	382.8	14,200*							95
100	66.7	380.6	13,900*							100
105	65.2	378.3	13,600*	69.9	383.6	14,200*				105
110	63.7	375.9	13,400*	68.4	381.6	14,000*				110
115	62.2	373.2	13,100*	66.9	379.5	13,700*				115
120	60.6	370.4	12,900*	65.4	377.2	13,500*				120
125	59.1	367.5	12,600*	63.9	374.8	13,300*				125
130	57.4	364.3	12,500*	62.4	372.2	13,000*				130
135	55.8	360.9	12,200*	60.8	369.4	12,800*				135
140	54.1	357.3	12,000*	59.3	366.4	12,600*				140
145	52.4	353.5	11,800*	57.7	363.3	12,400*				145
150	50.7	349.4	11,500*	56.0	359.9	12,200*				150
155	48.9	345.0	11,100*	54.3	356.3	12,000*				155
160	47.0	340.4	10,800*	52.6	352.5	11,800*				160
165	45.1	335.5	10,600*	50.9	348.5	11,700*				165
170	43.1	330.2	10,300*	49.1	344.2	11,300*				170
175	41.1	324.5	10,000*	47.3	339.6	11,000*				175
180	38.9	318.4	9,800*	45.4	334.7	10,700*				180
185	36.7	311.8	9,600*	43.4	329.5	10,500*	57.5	352.9	11,500*	185
190	34.3	304.6	9,400*	41.4	323.9	10,200*	55.9	349.6	11,400*	190
195	31.8	296.7	9,200*	39.2	317.8	10,000*	54.2	346.0	11,100	195
200	29.0	287.9	9,000*	37.0	311.3	9,700*	52.5	342.1	10,600	200
205	26.0	278.0	8,800*	34.6	304.1	9,500*	50.7	338.1	10,100	205
210	22.6	266.6	8,700*	32.1	296.3	9,300*	48.9	333.7	9,600	210
220	13.5	234.6	8,400*	26.4	278.0	8,900*	45.2	324.2	8,700	220
230				19.2	253.3	8,600*	41.1	313.3	7,900	230
240				5.9	205.7	8,400*	36.8	300.6	7,100	240
250							31.8	285.5	6,500	250
260							26.1	266.9	5,800	260
270							18.8	241.8	5,200	270
280							4.2	189.2	4,500	280

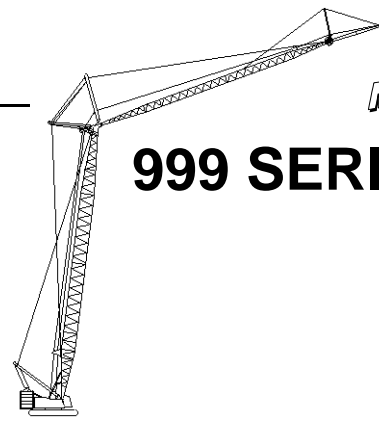


Liftcrane Fixed Jib Capacities

999 SERIES 3

New York City Code
 Fixed Jib No. 138 At
 3 Degree Offset Angle On
 Luffing Jib No. 135 On
 Boom No. 82 or 22EL
 219,600 Lb. Crane Counterweight
 80,000 Lb. Carbody Counterweight
 360 Degree Rating

Designed And Tested
 With The Intent To
 Be In The Scope of
 ANSI B30.5



180 Ft. Boom, 160 Ft. Luffing Jib, 60 Ft. Fixed Jib

Fixed Jib Oper. Rad. Feet	88 Degree Boom Angle			83 Degree Boom Angle			70 Degree Boom Angle			Fixed Jib Oper. Rad. Feet
	Luffing Jib Angle Degrees	Fixed Jib Point Elev. Feet	Fixed Jib Capacity Pounds	Luffing Jib Angle Degrees	Fixed Jib Point Elev. Feet	Fixed Jib Capacity Pounds	Luffing Jib Angle Degrees	Fixed Jib Point Elev. Feet	Fixed Jib Capacity Pounds	
75	74.7	400.3	14,700*							75
80	73.4	398.8	14,400*							80
85	72.0	397.2	14,100*							85
90	70.6	395.5	13,900*							90
95	69.3	393.6	13,700*							95
100	67.9	391.5	13,400*							100
105	66.4	389.4	13,200*	70.8	394.3	13,700*				105
110	65.0	387.0	12,900*	69.4	392.4	13,400*				110
115	63.6	384.5	12,700*	68.0	390.4	13,200*				115
120	62.1	381.9	12,500*	66.6	388.2	13,000*				120
125	60.6	379.1	12,300*	65.2	385.9	12,800*				125
130	59.1	376.1	12,100*	63.7	383.4	12,600*				130
135	57.6	372.9	11,900*	62.3	380.8	12,400*				135
140	56.0	369.6	11,700*	60.8	378.0	12,200*				140
145	54.4	366.0	11,500*	59.3	375.1	12,000*				145
150	52.8	362.2	11,300*	57.8	371.9	11,800*				150
155	51.1	358.2	11,000*	56.2	368.6	11,700*				155
160	49.4	354.0	10,700*	54.6	365.1	11,500*				160
165	47.7	349.5	10,400*	53.0	361.3	11,400*				165
170	45.9	344.6	10,200*	51.3	357.3	11,200*				170
175	44.0	339.5	9,900*	49.6	353.1	10,900*				175
180	42.1	334.0	9,700*	47.9	348.6	10,600*				180
185	40.1	328.2	9,500*	46.1	343.8	10,300*				185
190	38.0	321.8	9,300*	44.3	338.8	10,100*	57.6	361.6	10,900*	190
195	35.8	315.0	9,100*	42.3	333.3	9,800*	56.0	358.3	10,500	195
200	33.5	307.6	8,900*	40.3	327.5	9,600*	54.5	354.7	10,000	200
205	31.0	299.5	8,700*	38.3	321.2	9,400*	52.8	350.9	9,500	205
210	28.3	290.4	8,500*	36.1	314.5	9,200*	51.2	346.9	9,100	210
220	22.1	268.5	8,200*	31.3	299.1	8,800*	47.7	338.2	8,200	220
230	13.2	235.7	8,000*	25.8	280.2	8,500*	44.1	328.2	7,400	230
240				18.7	254.9	8,200*	40.1	316.9	6,600	240
250				5.8	206.1	8,000*	35.9	303.8	6,000	250
260							31.1	288.3	5,300	260
270							25.5	269.1	4,700	270
280							18.3	243.4	4,200	280

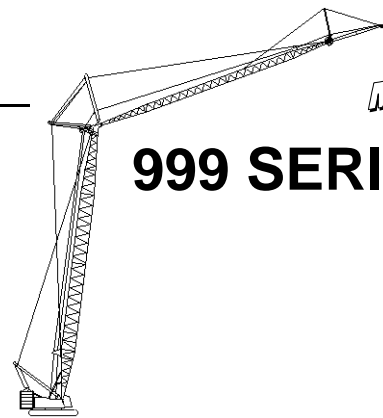


Liftcrane Fixed Jib Capacities

999 SERIES 3

New York City Code
 Fixed Jib No. 138 At
 3 Degree Offset Angle On
 Luffing Jib No. 135 On
 Boom No. 82 or 22EL
 219,600 Lb. Crane Counterweight
 80,000 Lb. Carbody Counterweight
 360 Degree Rating

Designed And Tested
 With The Intent To
 Be In The Scope of
 ANSI B30.5



180 Ft. Boom, 170 Ft. Luffing Jib, 60 Ft. Fixed Jib

Fixed Jib Oper. Rad. Feet	88 Degree Boom Angle			83 Degree Boom Angle			70 Degree Boom Angle			Fixed Jib Oper. Rad. Feet
	Luffing Jib Angle Degrees	Fixed Jib Point Elev. Feet	Fixed Jib Capacity Pounds	Luffing Jib Angle Degrees	Fixed Jib Point Elev. Feet	Fixed Jib Capacity Pounds	Luffing Jib Angle Degrees	Fixed Jib Point Elev. Feet	Fixed Jib Capacity Pounds	
75	75.4	410.7	13,900*							75
80	74.1	409.3	13,700*							80
85	72.8	407.7	13,500*							85
90	71.5	406.1	13,300*							90
95	70.2	404.3	13,100*							95
100	68.9	402.3	12,900*							100
105	67.5	400.3	12,600*							105
110	66.2	398.1	12,500*	70.4	403.1	12,800*				110
115	64.8	395.7	12,300*	69.0	401.2	12,600*				115
120	63.4	393.2	12,000*	67.7	399.1	12,500*				120
125	62.0	390.6	11,800*	66.3	396.9	12,200*				125
130	60.6	387.8	11,700*	65.0	394.6	12,100*				130
135	59.1	384.8	11,500*	63.6	392.1	11,900*				135
140	57.7	381.6	11,300*	62.2	389.5	11,700*				140
145	56.2	378.3	11,200*	60.8	386.7	11,600*				145
150	54.7	374.8	11,000*	59.3	383.7	11,400*				150
155	53.1	371.0	10,800*	57.9	380.6	11,300*				155
160	51.5	367.1	10,500*	56.4	377.3	11,100*				160
165	49.9	362.9	10,200*	54.9	373.8	11,000*				165
170	48.3	358.4	10,000*	53.3	370.1	10,800*				170
175	46.6	353.7	9,700*	51.7	366.2	10,700*				175
180	44.8	348.8	9,500*	50.1	362.0	10,400*				180
185	43.0	343.4	9,300*	48.5	357.6	10,100*				185
190	41.1	337.8	9,100*	46.8	352.9	9,900*				190
195	39.2	331.7	8,900*	45.0	348.0	9,700*	57.7	370.3	10,100	195
200	37.1	325.2	8,700*	43.2	342.7	9,400*	56.2	367.0	9,600	200
205	35.0	318.1	8,600*	41.4	337.1	9,200*	54.7	363.4	9,100	205
210	32.7	310.5	8,400*	39.4	331.1	9,000*	53.2	359.7	8,700	210
220	27.7	292.9	8,100*	35.3	317.6	8,700*	50.0	351.6	7,800	220
230	21.6	270.4	7,800*	30.6	301.8	8,300*	46.6	342.5	7,000	230
240	12.9	236.8	7,600*	25.2	282.4	8,000*	43.0	332.2	6,300	240
250				18.3	256.5	7,800*	39.2	320.4	5,600	250
260				5.6	206.6	7,600*	35.0	306.9	5,000	260
270							30.4	291.0	4,400	270

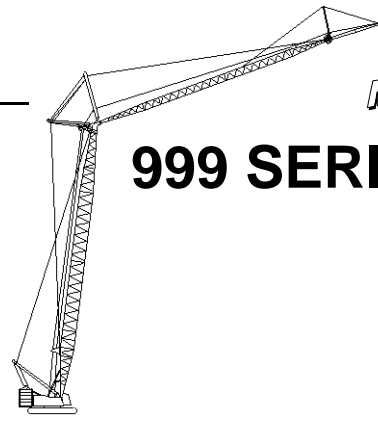


Liftcrane Fixed Jib Capacities

999 SERIES 3

New York City Code
Fixed Jib No. 138 At
3 Degree Offset Angle On
Luffing Jib No. 135 On
Boom No. 82 or 22EL
219,600 Lb. Crane Counterweight
80,000 Lb. Carbody Counterweight
360 Degree Rating

Designed And Tested
With The Intent To
Be In The Scope of
ANSI B30.5



190 Ft. Boom, 140 Ft. Luffing Jib, 30 Ft. Fixed Jib

Fixed Jib Oper. Rad. Feet	88 Degree Boom Angle			83 Degree Boom Angle			70 Degree Boom Angle			Fixed Jib Oper. Rad. Feet
	Luffing Jib Angle Degrees	Fixed Jib Point Elev. Feet	Fixed Jib Capacity Pounds	Luffing Jib Angle Degrees	Fixed Jib Point Elev. Feet	Fixed Jib Capacity Pounds	Luffing Jib Angle Degrees	Fixed Jib Point Elev. Feet	Fixed Jib Capacity Pounds	
60	75.2	362.7	27,000*							60
65	73.4	361.2	26,700*							65
70	71.7	359.6	26,400*							70
75	69.9	357.8	26,200*							75
80	68.1	355.8	25,900*							80
85	66.3	353.7	25,700*							85
90	64.4	351.3	25,500*	70.4	356.9	26,400*				90
95	62.5	348.8	24,900*	68.6	355.0	26,200*				95
100	60.6	346.0	24,000*	66.8	352.9	26,000*				100
105	58.7	343.0	23,200*	65.0	350.6	25,900*				105
110	56.7	339.8	22,400*	63.1	348.1	25,600*				110
115	54.6	336.3	21,700*	61.2	345.4	24,700*				115
120	52.5	332.5	21,000*	59.2	342.4	23,900*				120
125	50.4	328.4	20,400*	57.3	339.3	23,100*				125
130	48.1	324.0	19,800*	55.2	335.9	22,300*				130
135	45.8	319.3	19,300*	53.2	332.2	21,600*				135
140	43.4	314.1	18,800*	51.0	328.2	21,000*				140
145	40.9	308.5	18,300*	48.8	323.9	20,400*				145
150	38.2	302.3	17,900*	46.5	319.3	19,800*				150
155	35.4	295.5	17,500*	44.1	314.2	19,300*				155
160	32.3	287.9	16,900*	41.6	308.7	18,800*				160
165	29.0	279.2	16,200*	39.0	302.7	18,300*	57.9	329.8	14,200	165
170	25.2	269.2	15,500*	36.2	296.1	17,900*	55.9	326.5	13,400	170
175	20.8	257.1	14,900*	33.3	288.7	17,500*	53.9	322.9	12,800	175
180	15.3	241.2	14,400*	30.0	280.5	17,100*	51.8	319.1	12,100	180
185	5.3	212.1	13,900*	26.4	270.9	16,700*	49.6	314.9	11,500	185
190				22.2	259.6	16,400*	47.3	310.4	10,900	190
195				17.1	245.1	16,100*	45.0	305.5	10,400	195
200				9.6	223.1	15,900*	42.5	300.1	9,800	200
205							39.9	294.3	9,300	205
210							37.2	287.9	8,900	210
220							31.2	272.9	8,000	220
230							23.7	253.2	7,100	230
240							12.7	221.7	6,300	240

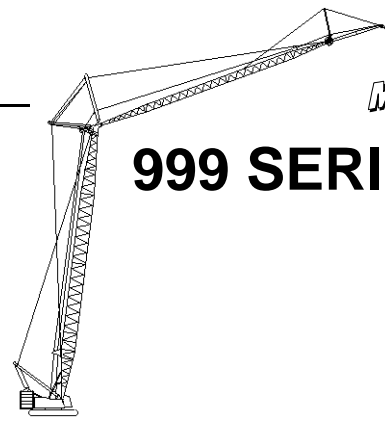


Liftcrane Fixed Jib Capacities

999 SERIES 3

New York City Code
Fixed Jib No. 138 At
3 Degree Offset Angle On
Luffing Jib No. 135 On
Boom No. 82 or 22EL
219,600 Lb. Crane Counterweight
80,000 Lb. Carbody Counterweight
360 Degree Rating

Designed And Tested
With The Intent To
Be In The Scope of
ANSI B30.5



190 Ft. Boom, 150 Ft. Luffing Jib, 30 Ft. Fixed Jib

Fixed Jib Oper. Rad. Feet	88 Degree Boom Angle			83 Degree Boom Angle			70 Degree Boom Angle			Fixed Jib Oper. Rad. Feet
	Luffing Jib Angle Degrees	Fixed Jib Point Elev. Feet	Fixed Jib Capacity Pounds	Luffing Jib Angle Degrees	Fixed Jib Point Elev. Feet	Fixed Jib Capacity Pounds	Luffing Jib Angle Degrees	Fixed Jib Point Elev. Feet	Fixed Jib Capacity Pounds	
60	76.0	373.1	26,400*							60
65	74.4	371.7	26,200*							65
70	72.7	370.2	25,900*							70
75	71.0	368.5	25,700*							75
80	69.4	366.6	25,400*							80
85	67.6	364.6	25,200*							85
90	65.9	362.4	25,000*							90
95	64.2	360.0	24,400*	69.9	365.7	25,600*				95
100	62.4	357.4	23,500*	68.2	363.7	25,500*				100
105	60.6	354.7	22,800*	66.4	361.6	25,300*				105
110	58.7	351.7	22,000*	64.7	359.3	25,100*				110
115	56.8	348.4	21,400*	62.9	356.7	24,200*				115
120	54.9	345.0	20,700*	61.1	354.0	23,400*				120
125	52.9	341.3	20,100*	59.3	351.1	22,600*				125
130	50.9	337.3	19,600*	57.4	347.9	21,900*				130
135	48.8	333.0	19,000*	55.5	344.6	21,300*				135
140	46.7	328.4	18,500*	53.5	340.9	20,600*				140
145	44.4	323.4	18,100*	51.5	337.0	20,100*				145
150	42.1	318.0	17,600*	49.5	332.8	19,500*				150
155	39.7	312.1	17,200*	47.3	328.3	19,000*				155
160	37.1	305.6	16,500*	45.1	323.4	18,500*				160
165	34.3	298.6	15,900*	42.8	318.1	18,100*				165
170	31.4	290.6	15,300*	40.4	312.4	17,600*				170
175	28.1	281.7	14,700*	37.9	306.2	17,200*	56.2	335.2	12,600	175
180	24.5	271.4	14,100*	35.2	299.3	16,900*	54.2	331.7	11,900	180
185	20.2	258.9	13,600*	32.3	291.6	16,500*	52.2	327.9	11,300	185
190	14.8	242.5	13,100*	29.1	283.0	16,200*	50.2	323.8	10,700	190
195	5.2	212.5	12,600*	25.6	273.2	15,900*	48.1	319.4	10,200	195
200				21.6	261.4	15,600*	45.9	314.6	9,700	200
205				16.6	246.6	15,400*	43.6	309.5	9,200	205
210				9.3	223.9	15,200*	41.3	303.9	8,700	210
220							36.1	291.2	7,800	220
230							30.3	275.6	7,000	230
240							23.1	255.2	6,200	240
250							12.3	222.8	5,500	250

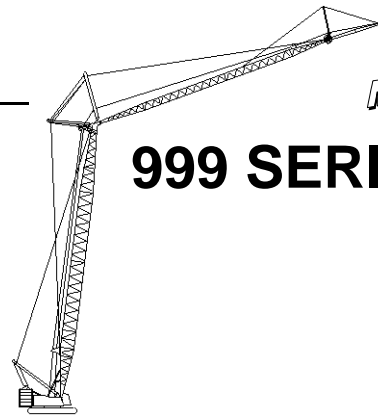


Liftcrane Fixed Jib Capacities

999 SERIES 3

New York City Code
 Fixed Jib No. 138 At
 3 Degree Offset Angle On
 Luffing Jib No. 135 On
 Boom No. 82 or 22EL
 219,600 Lb. Crane Counterweight
 80,000 Lb. Carbody Counterweight
 360 Degree Rating

Designed And Tested
 With The Intent To
 Be In The Scope of
 ANSI B30.5



190 Ft. Boom, 160 Ft. Luffing Jib, 30 Ft. Fixed Jib

Fixed Jib Oper. Rad. Feet	88 Degree Boom Angle			83 Degree Boom Angle			70 Degree Boom Angle			Fixed Jib Oper. Rad. Feet
	Luffing Jib Angle Degrees	Fixed Jib Point Elev. Feet	Fixed Jib Capacity Pounds	Luffing Jib Angle Degrees	Fixed Jib Point Elev. Feet	Fixed Jib Capacity Pounds	Luffing Jib Angle Degrees	Fixed Jib Point Elev. Feet	Fixed Jib Capacity Pounds	
65	75.2	382.1	25,000*							65
70	73.6	380.6	24,700*							70
75	72.1	379.0	24,500*							75
80	70.5	377.3	24,200*							80
85	68.9	375.4	24,000*							85
90	67.3	373.3	23,700*							90
95	65.6	371.1	23,500*	71.0	376.3	23,200*				95
100	63.9	368.7	23,000*	69.4	374.5	23,100*				100
105	62.3	366.1	22,300*	67.7	372.5	23,200*				105
110	60.5	363.3	21,600*	66.1	370.3	22,800*				110
115	58.8	360.3	21,000*	64.5	367.9	22,600*				115
120	57.0	357.1	20,400*	62.8	365.4	22,500*				120
125	55.2	353.7	19,800*	61.1	362.7	22,200*				125
130	53.3	350.0	19,300*	59.3	359.8	21,500*				130
135	51.4	346.1	18,800*	57.6	356.6	20,900*				135
140	49.5	341.9	18,300*	55.7	353.3	20,300*				140
145	47.4	337.4	17,700*	53.9	349.7	19,700*				145
150	45.4	332.6	17,100*	52.0	345.8	19,200*				150
155	43.2	327.3	16,500*	50.1	341.7	18,700*				155
160	40.9	321.7	16,000*	48.1	337.3	18,300*				160
165	38.6	315.6	15,400*	46.0	332.6	17,800*				165
170	36.1	308.9	14,800*	43.9	327.5	17,400*				170
175	33.4	301.5	14,300*	41.6	322.0	17,000*				175
180	30.5	293.4	13,800*	39.3	316.0	16,700*	56.4	343.9	11,400	180
185	27.4	284.1	13,300*	36.8	309.5	16,300*	54.5	340.4	10,800	185
190	23.8	273.4	12,800*	34.2	302.3	16,000*	52.7	336.6	10,200	190
195	19.7	260.6	12,400*	31.4	294.4	15,700*	50.7	332.6	9,700	195
200	14.4	243.7	12,000*	28.3	285.6	15,500*	48.8	328.3	9,100	200
205	5.0	212.9	11,600*	24.9	275.4	15,200*	46.7	323.7	8,600	205
210				21.0	263.3	15,000*	44.6	318.7	8,200	210
220				9.0	224.6	14,600*	40.1	307.5	7,300	220
230							35.1	294.3	6,500	230
240							29.4	278.2	5,800	240
250							22.4	257.1	5,100	250
260							12.0	223.8	4,400	260

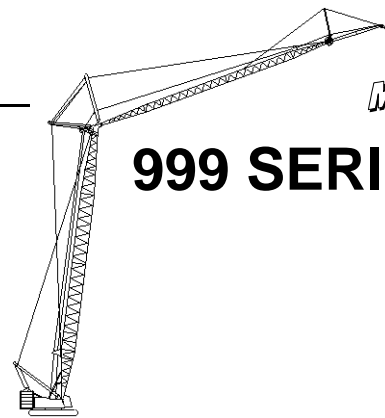


Liftcrane Fixed Jib Capacities

999 SERIES 3

New York City Code
Fixed Jib No. 138 At
3 Degree Offset Angle On
Luffing Jib No. 135 On
Boom No. 82 or 22EL
219,600 Lb. Crane Counterweight
80,000 Lb. Carbody Counterweight
360 Degree Rating

Designed And Tested
With The Intent To
Be In The Scope of
ANSI B30.5



190 Ft. Boom, 170 Ft. Luffing Jib, 30 Ft. Fixed Jib

Fixed Jib Oper. Rad. Feet	88 Degree Boom Angle			83 Degree Boom Angle			70 Degree Boom Angle			Fixed Jib Oper. Rad. Feet
	Luffing Jib Angle Degrees	Fixed Jib Point Elev. Feet	Fixed Jib Capacity Pounds	Luffing Jib Angle Degrees	Fixed Jib Point Elev. Feet	Fixed Jib Capacity Pounds	Luffing Jib Angle Degrees	Fixed Jib Point Elev. Feet	Fixed Jib Capacity Pounds	
65	76.0	392.4	22,400*							65
70	74.5	391.1	22,400*							70
75	73.0	389.6	22,000*							75
80	71.5	387.9	21,700*							80
85	70.0	386.1	21,500*							85
90	68.5	384.2	21,200*							90
95	66.9	382.1	21,000*							95
100	65.3	379.8	20,700*	70.4	385.2	20,600*				100
105	63.8	377.4	20,500*	68.9	383.3	20,500*				105
110	62.1	374.8	20,300*	67.4	381.2	20,300*				110
115	60.5	372.0	20,000*	65.8	379.0	20,100*				115
120	58.9	369.0	19,500*	64.2	376.6	20,000*				120
125	57.2	365.8	18,900*	62.6	374.1	19,800*				125
130	55.4	362.4	18,400*	61.0	371.3	19,700*				130
135	53.7	358.8	17,900*	59.4	368.4	19,500*				135
140	51.9	354.9	17,300*	57.7	365.3	19,400*				140
145	50.0	350.8	16,800*	56.0	362.0	19,300*				145
150	48.1	346.4	16,300*	54.2	358.4	18,800*				150
155	46.2	341.7	15,800*	52.4	354.6	18,300*				155
160	44.1	336.6	15,300*	50.6	350.6	17,900*				160
165	42.0	331.2	14,800*	48.7	346.3	17,500*				165
170	39.8	325.3	14,300*	46.8	341.6	17,100*				170
175	37.5	319.0	13,800*	44.8	336.7	16,700*				175
180	35.1	312.1	13,400*	42.7	331.4	16,400*				180
185	32.5	304.5	12,900*	40.5	325.7	16,000*	56.6	352.6	10,400	185
190	29.7	296.0	12,500*	38.2	319.5	15,700*	54.8	349.1	9,800	190
195	26.6	286.5	12,000*	35.9	312.7	15,500*	53.0	345.4	9,300	195
200	23.2	275.5	11,700*	33.3	305.3	15,200*	51.2	341.5	8,700	200
205	19.2	262.3	11,300*	30.6	297.2	14,900*	49.4	337.2	8,300	205
210	14.0	244.9	11,000*	27.6	288.0	14,700*	47.4	332.7	7,800	210
220				20.5	265.1	14,300*	43.4	322.7	6,900	220
230				8.8	225.4	13,500*	39.0	311.1	6,100	230
240							34.2	297.4	5,400	240
250							28.7	280.7	4,700	250
260							21.8	259.1	4,100	260

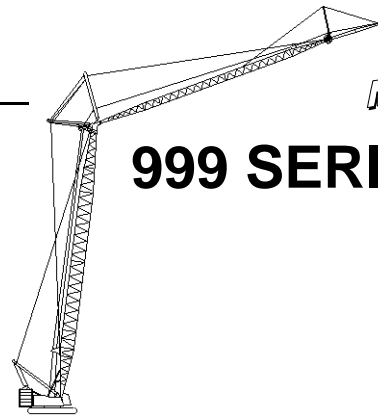


Liftcrane Fixed Jib Capacities

999 SERIES 3

New York City Code
 Fixed Jib No. 138 At
 3 Degree Offset Angle On
 Luffing Jib No. 135 On
 Boom No. 82 or 22EL
 219,600 Lb. Crane Counterweight
 80,000 Lb. Carbody Counterweight
 360 Degree Rating

Designed And Tested
 With The Intent To
 Be In The Scope of
 ANSI B30.5



190 Ft. Boom, 140 Ft. Luffing Jib, 40 Ft. Fixed Jib

Fixed Jib Oper. Rad. Feet	88 Degree Boom Angle			83 Degree Boom Angle			70 Degree Boom Angle			Fixed Jib Oper. Rad. Feet
	Luffing Jib Angle Degrees	Fixed Jib Point Elev. Feet	Fixed Jib Capacity Pounds	Luffing Jib Angle Degrees	Fixed Jib Point Elev. Feet	Fixed Jib Capacity Pounds	Luffing Jib Angle Degrees	Fixed Jib Point Elev. Feet	Fixed Jib Capacity Pounds	
65	74.8	371.6	22,300*							65
70	73.1	370.1	22,100*							70
75	71.5	368.4	21,800*							75
80	69.8	366.6	21,600*							80
85	68.1	364.5	21,400*							85
90	66.3	362.3	21,100*							90
95	64.6	360.0	20,900*	70.3	365.6	21,800*				95
100	62.8	357.4	20,300*	68.6	363.7	21,600*				100
105	61.0	354.6	19,600*	66.9	361.5	21,400*				105
110	59.1	351.6	18,900*	65.1	359.2	21,300*				110
115	57.3	348.4	18,300*	63.3	356.7	20,900*				115
120	55.3	344.9	17,700*	61.5	354.0	20,200*				120
125	53.4	341.2	17,200*	59.7	351.0	19,500*				125
130	51.3	337.2	16,700*	57.8	347.9	18,800*				130
135	49.2	332.9	16,200*	55.9	344.5	18,200*				135
140	47.1	328.3	15,700*	54.0	340.9	17,600*				140
145	44.8	323.3	15,300*	51.9	337.0	17,100*				145
150	42.5	317.9	14,900*	49.9	332.8	16,600*				150
155	40.1	312.0	14,600*	47.7	328.2	16,100*				155
160	37.5	305.6	14,200*	45.5	323.4	15,700*				160
165	34.7	298.5	13,900*	43.2	318.1	15,300*				165
170	31.8	290.6	13,600*	40.8	312.3	14,900*				170
175	28.5	281.6	13,300*	38.3	306.1	14,500*	56.6	335.2	12,900	175
180	24.9	271.2	13,100*	35.6	299.2	14,200*	54.6	331.6	12,200	180
185	20.6	258.7	12,900*	32.7	291.5	13,900*	52.6	327.8	11,600	185
190	15.2	242.3	12,600*	29.5	282.9	13,600*	50.6	323.7	11,000	190
195	5.4	211.9	12,300*	26.0	273.1	13,300*	48.5	319.3	10,500	195
200				22.0	261.3	13,100*	46.3	314.5	10,000	200
205				17.0	246.4	12,900*	44.0	309.4	9,500	205
210				9.6	223.5	12,700*	41.7	303.8	9,000	210
220							36.5	291.1	8,100	220
230							30.6	275.5	7,300	230
240							23.4	255.0	6,500	240
250							12.7	222.5	5,800	250

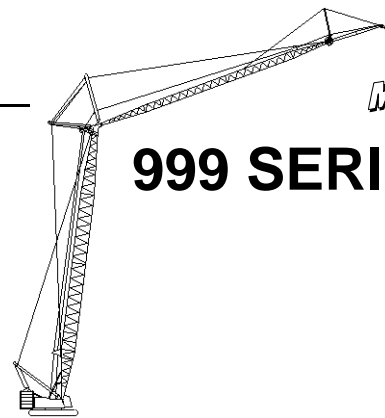


Liftcrane Fixed Jib Capacities

999 SERIES 3

New York City Code
Fixed Jib No. 138 At
3 Degree Offset Angle On
Luffing Jib No. 135 On
Boom No. 82 or 22EL
219,600 Lb. Crane Counterweight
80,000 Lb. Carbody Counterweight
360 Degree Rating

Designed And Tested
With The Intent To
Be In The Scope of
ANSI B30.5



190 Ft. Boom, 150 Ft. Luffing Jib, 40 Ft. Fixed Jib

Fixed Jib Oper. Rad. Feet	88 Degree Boom Angle			83 Degree Boom Angle			70 Degree Boom Angle			Fixed Jib Oper. Rad. Feet
	Luffing Jib Angle Degrees	Fixed Jib Point Elev. Feet	Fixed Jib Capacity Pounds	Luffing Jib Angle Degrees	Fixed Jib Point Elev. Feet	Fixed Jib Capacity Pounds	Luffing Jib Angle Degrees	Fixed Jib Point Elev. Feet	Fixed Jib Capacity Pounds	
65	75.6	382.0	21,900*							65
70	74.0	380.6	21,700*							70
75	72.5	379.0	21,400*							75
80	70.9	377.2	21,200*							80
85	69.3	375.3	21,000*							85
90	67.6	373.3	20,800*							90
95	66.0	371.0	20,600*							95
100	64.3	368.6	19,900*	69.8	374.4	21,200*				100
105	62.6	366.0	19,200*	68.1	372.4	21,000*				105
110	60.9	363.3	18,600*	66.5	370.2	20,900*				110
115	59.2	360.3	18,000*	64.8	367.9	20,500*				115
120	57.4	357.1	17,400*	63.2	365.3	19,800*				120
125	55.6	353.6	16,900*	61.5	362.6	19,100*				125
130	53.7	350.0	16,400*	59.7	359.7	18,500*				130
135	51.8	346.1	15,900*	57.9	356.6	17,900*				135
140	49.9	341.9	15,500*	56.1	353.2	17,300*				140
145	47.8	337.3	15,100*	54.3	349.6	16,800*				145
150	45.7	332.5	14,700*	52.4	345.8	16,300*				150
155	43.6	327.3	14,400*	50.4	341.7	15,900*				155
160	41.3	321.6	14,000*	48.4	337.2	15,500*				160
165	38.9	315.5	13,700*	46.4	332.5	15,100*				165
170	36.4	308.8	13,400*	44.2	327.4	14,700*				170
175	33.8	301.5	13,100*	42.0	321.9	14,300*				175
180	30.9	293.3	12,900*	39.7	315.9	14,000*	56.8	343.8	12,000	180
185	27.7	284.0	12,600*	37.2	309.4	13,700*	54.9	340.3	11,400	185
190	24.2	273.3	12,400*	34.6	302.3	13,400*	53.0	336.6	10,800	190
195	20.0	260.4	12,000*	31.8	294.3	13,100*	51.1	332.6	10,300	195
200	14.7	243.5	11,600*	28.7	285.4	12,900*	49.1	328.2	9,800	200
205	5.2	212.2	11,200*	25.3	275.2	12,600*	47.1	323.6	9,300	205
210				21.4	263.1	12,400*	45.0	318.6	8,800	210
220				9.3	224.3	12,100*	40.5	307.5	7,900	220
230							35.5	294.2	7,100	230
240							29.8	278.1	6,400	240
250							22.8	257.0	5,700	250
260							12.3	223.5	5,000	260

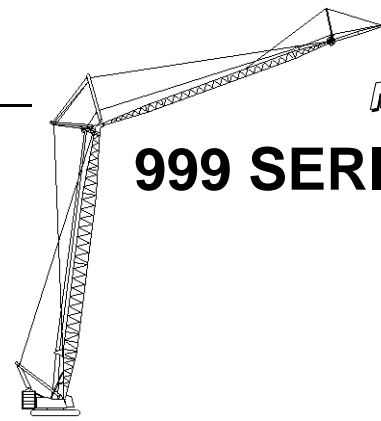


Liftcrane Fixed Jib Capacities

999 SERIES 3

New York City Code
Fixed Jib No. 138 At
3 Degree Offset Angle On
Luffing Jib No. 135 On
Boom No. 82 or 22EL
219,600 Lb. Crane Counterweight
80,000 Lb. Carbody Counterweight
360 Degree Rating

Designed And Tested
With The Intent To
Be In The Scope of
ANSI B30.5



190 Ft. Boom, 160 Ft. Luffing Jib, 40 Ft. Fixed Jib

Fixed Jib Oper. Rad. Feet	88 Degree Boom Angle			83 Degree Boom Angle			70 Degree Boom Angle			Fixed Jib Oper. Rad. Feet
	Luffing Jib Angle Degrees	Fixed Jib Point Elev. Feet	Fixed Jib Capacity Pounds	Luffing Jib Angle Degrees	Fixed Jib Point Elev. Feet	Fixed Jib Capacity Pounds	Luffing Jib Angle Degrees	Fixed Jib Point Elev. Feet	Fixed Jib Capacity Pounds	
70	74.9	391.0	21,200*							70
75	73.4	389.5	21,000*							75
80	71.9	387.9	20,800*							80
85	70.4	386.1	20,600*							85
90	68.8	384.1	20,400*							90
95	67.3	382.0	20,200*							95
100	65.7	379.7	19,500*	70.8	385.1	20,300*				100
105	64.1	377.3	18,800*	69.3	383.2	20,100*				105
110	62.5	374.7	18,200*	67.7	381.2	19,900*				110
115	60.9	371.9	17,700*	66.2	378.9	19,800*				115
120	59.2	368.9	17,100*	64.6	376.6	19,300*				120
125	57.5	365.8	16,600*	63.0	374.0	18,700*				125
130	55.8	362.4	16,100*	61.4	371.3	18,100*				130
135	54.0	358.7	15,700*	59.7	368.4	17,500*				135
140	52.2	354.9	15,300*	58.0	365.2	17,000*				140
145	50.4	350.7	14,900*	56.3	361.9	16,500*				145
150	48.5	346.3	14,500*	54.6	358.4	16,100*				150
155	46.5	341.6	14,200*	52.8	354.6	15,600*				155
160	44.5	336.6	13,800*	51.0	350.5	15,200*				160
165	42.4	331.1	13,500*	49.1	346.2	14,800*				165
170	40.2	325.3	13,300*	47.1	341.6	14,500*				170
175	37.9	318.9	13,000*	45.1	336.6	14,100*				175
180	35.5	312.0	12,700*	43.0	331.3	13,800*				180
185	32.9	304.4	12,500*	40.9	325.6	13,500*	56.9	352.5	10,900	185
190	30.1	295.9	12,200*	38.6	319.4	13,200*	55.2	349.1	10,300	190
195	27.0	286.4	11,700*	36.2	312.6	13,000*	53.4	345.4	9,800	195
200	23.5	275.4	11,300*	33.7	305.2	12,700*	51.6	341.4	9,200	200
205	19.5	262.1	11,000*	30.9	297.1	12,500*	49.7	337.2	8,800	205
210	14.3	244.7	10,600*	28.0	287.9	12,300*	47.8	332.7	8,300	210
220				20.8	264.9	11,900*	43.8	322.6	7,400	220
230				9.0	225.0	11,600*	39.4	311.0	6,600	230
240							34.6	297.3	5,900	240
250							29.0	280.6	5,200	250
260							22.2	258.9	4,600	260
270							12.0	224.5	4,000	270

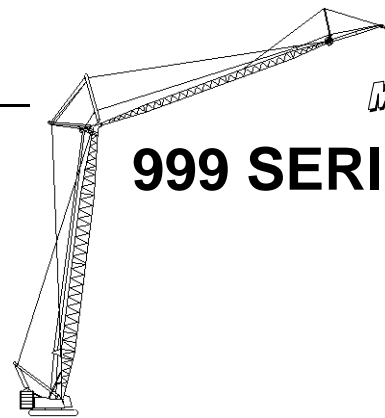


Liftcrane Fixed Jib Capacities

999 SERIES 3

New York City Code
Fixed Jib No. 138 At
3 Degree Offset Angle On
Luffing Jib No. 135 On
Boom No. 82 or 22EL
219,600 Lb. Crane Counterweight
80,000 Lb. Carbody Counterweight
360 Degree Rating

Designed And Tested
With The Intent To
Be In The Scope of
ANSI B30.5



190 Ft. Boom, 170 Ft. Luffing Jib, 40 Ft. Fixed Jib

Fixed Jib Oper. Rad. Feet	88 Degree Boom Angle			83 Degree Boom Angle			70 Degree Boom Angle			Fixed Jib Oper. Rad. Feet
	Luffing Jib Angle Degrees	Fixed Jib Point Elev. Feet	Fixed Jib Capacity Pounds	Luffing Jib Angle Degrees	Fixed Jib Point Elev. Feet	Fixed Jib Capacity Pounds	Luffing Jib Angle Degrees	Fixed Jib Point Elev. Feet	Fixed Jib Capacity Pounds	
70	75.6	401.4	19,800*							70
75	74.2	400.0	19,600*							75
80	72.8	398.4	19,300*							80
85	71.3	396.7	19,100*							85
90	69.9	394.9	18,900*							90
95	68.4	392.9	18,700*							95
100	66.9	390.7	18,400*							100
105	65.4	388.4	18,300*	70.3	393.9	18,200*				105
110	63.9	386.0	17,800*	68.9	392.0	18,100*				110
115	62.4	383.4	17,300*	67.4	389.9	17,900*				115
120	60.8	380.6	16,700*	65.9	387.7	17,800*				120
125	59.3	377.6	16,300*	64.4	385.3	17,600*				125
130	57.7	374.4	15,800*	62.9	382.7	17,500*				130
135	56.0	371.1	15,400*	61.3	379.9	17,100*				135
140	54.3	367.5	15,000*	59.7	377.0	16,600*				140
145	52.6	363.7	14,600*	58.1	373.9	16,200*				145
150	50.9	359.6	14,200*	56.5	370.6	15,700*				150
155	49.1	355.3	13,900*	54.9	367.1	15,300*				155
160	47.2	350.7	13,600*	53.2	363.3	14,900*				160
165	45.3	345.8	13,300*	51.4	359.4	14,500*				165
170	43.4	340.5	13,000*	49.6	355.1	14,200*				170
175	41.3	334.9	12,700*	47.8	350.6	13,900*				175
180	39.2	328.8	12,500*	45.9	345.8	13,600*				180
185	36.9	322.2	12,200*	44.0	340.6	13,300*				185
190	34.6	315.0	11,800*	41.9	335.1	13,000*	57.1	361.2	9,900	190
195	32.0	307.2	11,400*	39.8	329.2	12,700*	55.4	357.8	9,400	195
200	29.3	298.5	11,100*	37.6	322.7	12,500*	53.7	354.1	8,800	200
205	26.3	288.7	10,700*	35.3	315.8	12,300*	52.0	350.2	8,400	205
210	22.9	277.3	10,400*	32.8	308.1	12,000*	50.3	346.1	7,900	210
220	14.0	245.9	9,800*	27.2	290.3	11,600*	46.6	336.9	7,000	220
230				20.3	266.6	11,300*	42.6	326.5	6,300	230
240				8.8	225.7	11,100*	38.4	314.5	5,500	240
250							33.7	300.3	4,900	250
260							28.3	283.1	4,300	260

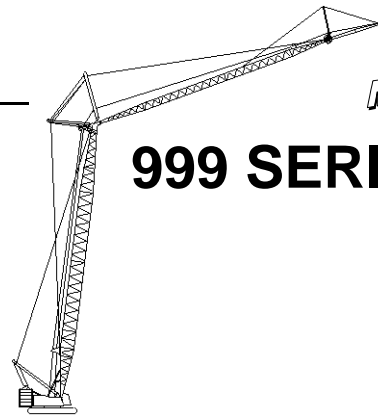


Liftcrane Fixed Jib Capacities

999 SERIES 3

New York City Code
 Fixed Jib No. 138 At
 3 Degree Offset Angle On
 Luffing Jib No. 135 On
 Boom No. 82 or 22EL
 219,600 Lb. Crane Counterweight
 80,000 Lb. Carbody Counterweight
 360 Degree Rating

Designed And Tested
 With The Intent To
 Be In The Scope of
 ANSI B30.5



190 Ft. Boom, 140 Ft. Luffing Jib, 50 Ft. Fixed Jib

Fixed Jib Oper. Rad. Feet	88 Degree Boom Angle			83 Degree Boom Angle			70 Degree Boom Angle			Fixed Jib Oper. Rad. Feet
	Luffing Jib Angle Degrees	Fixed Jib Point Elev. Feet	Fixed Jib Capacity Pounds	Luffing Jib Angle Degrees	Fixed Jib Point Elev. Feet	Fixed Jib Capacity Pounds	Luffing Jib Angle Degrees	Fixed Jib Point Elev. Feet	Fixed Jib Capacity Pounds	
65	75.7	382.0	19,200*							65
70	74.1	380.6	18,900*							70
75	72.6	379.0	18,700*							75
80	71.0	377.3	18,400*							80
85	69.4	375.4	18,200*							85
90	67.7	373.3	18,000*							90
95	66.1	371.1	17,800*							95
100	64.4	368.6	17,500*	69.9	374.4	18,400*				100
105	62.7	366.1	17,300*	68.2	372.4	18,200*				105
110	61.0	363.3	16,700*	66.6	370.2	18,000*				110
115	59.3	360.3	16,100*	64.9	367.9	17,800*				115
120	57.5	357.1	15,600*	63.3	365.4	17,700*				120
125	55.7	353.7	15,100*	61.5	362.6	17,200*				125
130	53.8	350.0	14,600*	59.8	359.7	16,600*				130
135	51.9	346.1	14,200*	58.0	356.6	16,000*				135
140	49.9	341.9	13,800*	56.2	353.2	15,500*				140
145	47.9	337.4	13,400*	54.4	349.6	15,000*				145
150	45.8	332.5	13,000*	52.5	345.8	14,500*				150
155	43.7	327.3	12,700*	50.5	341.7	14,100*				155
160	41.4	321.6	12,400*	48.5	337.3	13,700*				160
165	39.0	315.5	12,100*	46.5	332.5	13,300*				165
170	36.5	308.8	11,800*	44.3	327.4	13,000*				170
175	33.9	301.5	11,500*	42.1	321.9	12,600*				175
180	31.0	293.3	11,300*	39.8	315.9	12,300*	56.9	343.9	12,300	180
185	27.8	284.0	11,000*	37.3	309.4	12,000*	55.0	340.3	11,600	185
190	24.3	273.3	10,800*	34.7	302.3	11,700*	53.1	336.6	11,100	190
195	20.1	260.5	10,600*	31.9	294.4	11,500*	51.2	332.6	10,500	195
200	14.8	243.6	10,500*	28.8	285.5	11,200*	49.2	328.3	10,000	200
205	5.3	212.3	10,400*	25.4	275.3	11,000*	47.2	323.6	9,500	205
210				21.5	263.2	10,800*	45.1	318.7	9,100	210
220				9.4	224.3	10,500*	40.6	307.5	8,200	220
230							35.6	294.3	7,400	230
240							29.9	278.1	6,700	240
250							22.9	257.0	6,000	250
260							12.4	223.6	5,300	260

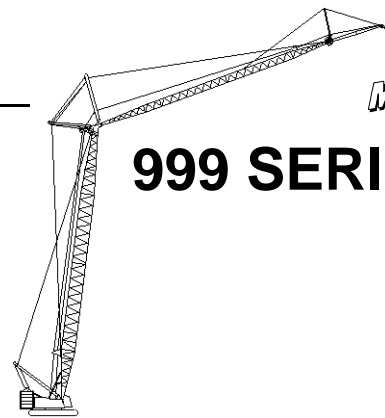


Liftcrane Fixed Jib Capacities

999 SERIES 3

New York City Code
Fixed Jib No. 138 At
3 Degree Offset Angle On
Luffing Jib No. 135 On
Boom No. 82 or 22EL
219,600 Lb. Crane Counterweight
80,000 Lb. Carbody Counterweight
360 Degree Rating

Designed And Tested
With The Intent To
Be In The Scope of
ANSI B30.5



190 Ft. Boom, 150 Ft. Luffing Jib, 50 Ft. Fixed Jib

Fixed Jib Oper. Rad. Feet	88 Degree Boom Angle			83 Degree Boom Angle			70 Degree Boom Angle			Fixed Jib Oper. Rad. Feet
	Luffing Jib Angle Degrees	Fixed Jib Point Elev. Feet	Fixed Jib Capacity Pounds	Luffing Jib Angle Degrees	Fixed Jib Point Elev. Feet	Fixed Jib Capacity Pounds	Luffing Jib Angle Degrees	Fixed Jib Point Elev. Feet	Fixed Jib Capacity Pounds	
70	74.9	391.0	18,600*							70
75	73.5	389.5	18,400*							75
80	72.0	387.9	18,100*							80
85	70.4	386.1	17,900*							85
90	68.9	384.1	17,700*							90
95	67.4	382.0	17,500*							95
100	65.8	379.8	17,300*	70.9	385.1	18,100*				100
105	64.2	377.3	17,000*	69.4	383.2	17,900*				105
110	62.6	374.7	16,400*	67.8	381.2	17,700*				110
115	61.0	371.9	15,800*	66.3	379.0	17,500*				115
120	59.3	368.9	15,300*	64.7	376.6	17,200*				120
125	57.6	365.8	14,800*	63.1	374.0	16,800*				125
130	55.9	362.4	14,400*	61.5	371.3	16,300*				130
135	54.1	358.7	13,900*	59.8	368.4	15,700*				135
140	52.3	354.9	13,500*	58.1	365.2	15,200*				140
145	50.5	350.8	13,200*	56.4	361.9	14,700*				145
150	48.6	346.3	12,800*	54.7	358.4	14,300*				150
155	46.6	341.6	12,500*	52.9	354.6	13,900*				155
160	44.6	336.6	12,200*	51.1	350.5	13,500*				160
165	42.5	331.1	11,900*	49.2	346.2	13,100*				165
170	40.3	325.3	11,600*	47.2	341.6	12,800*				170
175	38.0	318.9	11,300*	45.2	336.6	12,400*				175
180	35.6	312.0	11,100*	43.1	331.3	12,100*				180
185	33.0	304.4	10,900*	41.0	325.6	11,800*	57.0	352.5	11,400	185
190	30.2	295.9	10,600*	38.7	319.4	11,600*	55.3	349.1	10,900	190
195	27.1	286.4	10,500*	36.3	312.6	11,300*	53.5	345.4	10,300	195
200	23.6	275.4	10,300*	33.8	305.3	11,100*	51.7	341.4	9,800	200
205	19.6	262.1	10,100*	31.0	297.1	10,800*	49.8	337.2	9,300	205
210	14.4	244.8	10,000*	28.0	287.9	10,600*	47.9	332.7	8,900	210
220				20.9	264.9	10,300*	43.9	322.6	8,000	220
230				9.2	225.1	10,000*	39.5	311.0	7,200	230
240							34.6	297.3	6,500	240
250							29.1	280.6	5,800	250
260							22.3	258.9	5,200	260
270							12.1	224.6	4,500	270

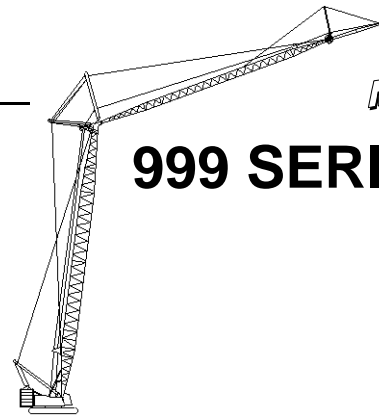


Liftcrane Fixed Jib Capacities

999 SERIES 3

New York City Code
 Fixed Jib No. 138 At
 3 Degree Offset Angle On
 Luffing Jib No. 135 On
 Boom No. 82 or 22EL
 219,600 Lb. Crane Counterweight
 80,000 Lb. Carbody Counterweight
 360 Degree Rating

Designed And Tested
 With The Intent To
 Be In The Scope of
 ANSI B30.5



190 Ft. Boom, 160 Ft. Luffing Jib, 50 Ft. Fixed Jib

Fixed Jib Oper. Rad. Feet	88 Degree Boom Angle			83 Degree Boom Angle			70 Degree Boom Angle			Fixed Jib Oper. Rad. Feet
	Luffing Jib Angle Degrees	Fixed Jib Point Elev. Feet	Fixed Jib Capacity Pounds	Luffing Jib Angle Degrees	Fixed Jib Point Elev. Feet	Fixed Jib Capacity Pounds	Luffing Jib Angle Degrees	Fixed Jib Point Elev. Feet	Fixed Jib Capacity Pounds	
70	75.7	401.4	18,200*							70
75	74.3	400.0	18,000*							75
80	72.8	398.4	17,700*							80
85	71.4	396.7	17,500*							85
90	70.0	394.9	17,200*							90
95	68.5	392.9	17,000*							95
100	67.0	390.7	16,800*							100
105	65.5	388.5	16,500*	70.4	393.9	16,800*				105
110	64.0	386.0	16,100*	68.9	392.0	16,700*				110
115	62.5	383.4	15,500*	67.5	389.9	16,500*				115
120	60.9	380.6	15,100*	66.0	387.7	16,300*				120
125	59.3	377.6	14,600*	64.5	385.3	16,100*				125
130	57.7	374.4	14,100*	62.9	382.7	15,900*				130
135	56.1	371.1	13,700*	61.4	380.0	15,400*				135
140	54.4	367.5	13,300*	59.8	377.0	14,900*				140
145	52.7	363.7	13,000*	58.2	373.9	14,500*				145
150	51.0	359.6	12,600*	56.6	370.6	14,100*				150
155	49.2	355.3	12,300*	54.9	367.1	13,700*				155
160	47.3	350.7	12,000*	53.2	363.4	13,300*				160
165	45.4	345.8	11,700*	51.5	359.4	12,900*				165
170	43.5	340.5	11,500*	49.7	355.1	12,600*				170
175	41.4	334.9	11,200*	47.9	350.6	12,300*				175
180	39.3	328.8	11,000*	46.0	345.8	12,000*				180
185	37.0	322.2	10,700*	44.1	340.6	11,700*				185
190	34.7	315.1	10,500*	42.0	335.1	11,400*	57.2	361.2	10,300	190
195	32.1	307.2	10,300*	39.9	329.2	11,200*	55.5	357.8	9,800	195
200	29.4	298.5	10,100*	37.7	322.8	10,900*	53.8	354.1	9,300	200
205	26.4	288.7	10,000*	35.4	315.8	10,700*	52.1	350.2	8,800	205
210	23.0	277.4	9,800*	32.9	308.2	10,500*	50.3	346.1	8,400	210
220	14.1	245.9	9,400*	27.3	290.3	10,100*	46.7	336.9	7,500	220
230				20.4	266.7	9,800*	42.7	326.5	6,700	230
240				8.9	225.8	9,500*	38.5	314.5	6,000	240
250							33.8	300.3	5,300	250
260							28.4	283.1	4,700	260
270							21.7	260.8	4,100	270

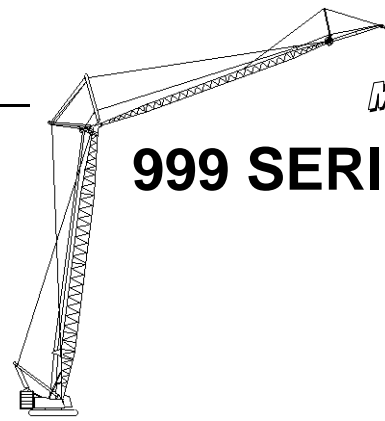


Liftcrane Fixed Jib Capacities

999 SERIES 3

New York City Code
Fixed Jib No. 138 At
3 Degree Offset Angle On
Luffing Jib No. 135 On
Boom No. 82 or 22EL
219,600 Lb. Crane Counterweight
80,000 Lb. Carbody Counterweight
360 Degree Rating

Designed And Tested
With The Intent To
Be In The Scope of
ANSI B30.5



190 Ft. Boom, 170 Ft. Luffing Jib, 50 Ft. Fixed Jib

Fixed Jib Oper. Rad. Feet	88 Degree Boom Angle			83 Degree Boom Angle			70 Degree Boom Angle			Fixed Jib Oper. Rad. Feet
	Luffing Jib Angle Degrees	Fixed Jib Point Elev. Feet	Fixed Jib Capacity Pounds	Luffing Jib Angle Degrees	Fixed Jib Point Elev. Feet	Fixed Jib Capacity Pounds	Luffing Jib Angle Degrees	Fixed Jib Point Elev. Feet	Fixed Jib Capacity Pounds	
75	75.0	410.4	16,800*							75
80	73.6	408.9	16,600*							80
85	72.3	407.3	16,300*							85
90	70.9	405.5	16,100*							90
95	69.5	403.7	15,900*							95
100	68.1	401.6	15,700*							100
105	66.7	399.5	15,500*							105
110	65.3	397.1	15,300*	69.9	402.7	15,500*				110
115	63.8	394.7	15,100*	68.6	400.8	15,300*				115
120	62.4	392.0	14,700*	67.1	398.6	15,200*				120
125	60.9	389.2	14,300*	65.7	396.4	15,000*				125
130	59.4	386.3	13,900*	64.3	393.9	14,900*				130
135	57.8	383.1	13,500*	62.8	391.4	14,700*				135
140	56.3	379.8	13,100*	61.3	388.6	14,600*				140
145	54.7	376.2	12,700*	59.8	385.7	14,200*				145
150	53.1	372.5	12,400*	58.3	382.6	13,800*				150
155	51.4	368.5	12,100*	56.8	379.3	13,400*				155
160	49.7	364.2	11,800*	55.2	375.8	13,000*				160
165	48.0	359.7	11,500*	53.6	372.1	12,700*				165
170	46.2	354.9	11,200*	51.9	368.2	12,300*				170
175	44.3	349.8	11,000*	50.2	364.0	12,000*				175
180	42.4	344.4	10,800*	48.5	359.6	11,800*				180
185	40.4	338.5	10,500*	46.7	354.9	11,500*				185
190	38.3	332.2	10,300*	44.9	349.9	11,200*				190
195	36.1	325.4	10,100*	43.0	344.5	11,000*	57.3	369.9	9,400	195
200	33.8	318.0	9,900*	41.0	338.8	10,700*	55.7	366.5	8,900	200
205	31.3	310.0	9,800*	39.0	332.7	10,500*	54.1	362.9	8,400	205
210	28.7	301.0	9,600*	36.8	326.0	10,300*	52.5	359.0	8,000	210
220	22.5	279.3	9,200*	32.1	311.0	9,900*	49.1	350.6	7,100	220
230	13.7	247.1	8,700*	26.7	292.6	9,600*	45.5	341.1	6,300	230
240				19.9	268.4	9,300*	41.7	330.3	5,600	240
250				8.7	226.4	9,100*	37.5	317.8	5,000	250
260							33.0	303.2	4,400	260

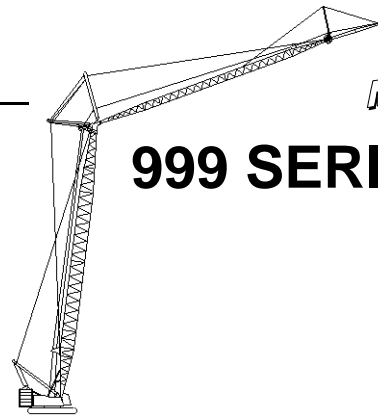


Liftcrane Fixed Jib Capacities

999 SERIES 3

New York City Code
 Fixed Jib No. 138 At
 3 Degree Offset Angle On
 Luffing Jib No. 135 On
 Boom No. 82 or 22EL
 219,600 Lb. Crane Counterweight
 80,000 Lb. Carbody Counterweight
 360 Degree Rating

Designed And Tested
 With The Intent To
 Be In The Scope of
 ANSI B30.5



190 Ft. Boom, 140 Ft. Luffing Jib, 60 Ft. Fixed Jib

Fixed Jib Oper. Rad. Feet	88 Degree Boom Angle			83 Degree Boom Angle			70 Degree Boom Angle			Fixed Jib Oper. Rad. Feet
	Luffing Jib Angle Degrees	Fixed Jib Point Elev. Feet	Fixed Jib Capacity Pounds	Luffing Jib Angle Degrees	Fixed Jib Point Elev. Feet	Fixed Jib Capacity Pounds	Luffing Jib Angle Degrees	Fixed Jib Point Elev. Feet	Fixed Jib Capacity Pounds	
70	74.8	391.1	16,100*							70
75	73.3	389.6	15,800*							75
80	71.8	387.9	15,500*							80
85	70.2	386.1	15,100*							85
90	68.7	384.2	14,800*							90
95	67.2	382.1	14,500*							95
100	65.6	379.8	14,200*	70.7	385.2	14,900*				100
105	64.0	377.4	13,900*	69.2	383.3	14,700*				105
110	62.4	374.8	13,700*	67.6	381.2	14,400*				110
115	60.8	372.0	13,400*	66.1	379.0	14,100*				115
120	59.1	369.0	13,100*	64.5	376.6	13,800*				120
125	57.4	365.8	12,900*	62.9	374.1	13,600*				125
130	55.7	362.4	12,700*	61.3	371.3	13,400*				130
135	53.9	358.8	12,500*	59.6	368.4	13,100*				135
140	52.1	354.9	12,300*	57.9	365.3	12,900*				140
145	50.3	350.8	11,900*	56.2	362.0	12,700*				145
150	48.4	346.4	11,600*	54.5	358.4	12,500*				150
155	46.4	341.7	11,300*	52.7	354.6	12,300*				155
160	44.4	336.6	11,000*	50.9	350.6	12,100*				160
165	42.3	331.2	10,700*	49.0	346.3	11,900*				165
170	40.1	325.3	10,500*	47.0	341.6	11,600*				170
175	37.8	319.0	10,200*	45.0	336.7	11,300*				175
180	35.4	312.1	10,000*	43.0	331.4	11,000*				180
185	32.8	304.5	9,800*	40.8	325.7	10,700*	56.8	352.6	11,600	185
190	30.0	296.0	9,500*	38.5	319.5	10,400*	55.1	349.1	11,100	190
195	26.9	286.5	9,300*	36.1	312.7	10,200*	53.3	345.4	10,500	195
200	23.5	275.5	9,000*	33.6	305.3	9,900*	51.5	341.5	10,000	200
205	19.4	262.3	8,800*	30.8	297.2	9,700*	49.6	337.2	9,600	205
210	14.3	244.9	8,600*	27.9	288.0	9,500*	47.7	332.7	9,100	210
220				20.7	265.1	9,100*	43.7	322.7	8,200	220
230				9.0	225.4	8,700*	39.3	311.1	7,500	230
240							34.5	297.4	6,700	240
250							28.9	280.7	6,100	250
260							22.1	259.0	5,400	260
270							11.9	224.8	4,800	270

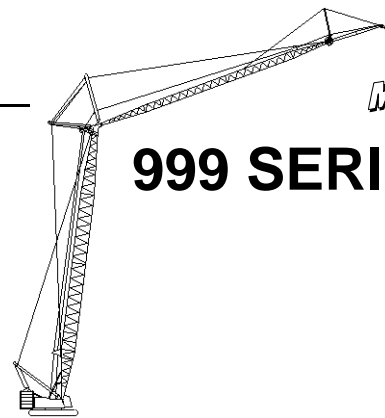


Liftcrane Fixed Jib Capacities

999 SERIES 3

New York City Code
 Fixed Jib No. 138 At
 3 Degree Offset Angle On
 Luffing Jib No. 135 On
 Boom No. 82 or 22EL
 219,600 Lb. Crane Counterweight
 80,000 Lb. Carbody Counterweight
 360 Degree Rating

Designed And Tested
 With The Intent To
 Be In The Scope of
 ANSI B30.5



190 Ft. Boom, 150 Ft. Luffing Jib, 60 Ft. Fixed Jib

Fixed Jib Oper. Rad. Feet	88 Degree Boom Angle			83 Degree Boom Angle			70 Degree Boom Angle			Fixed Jib Oper. Rad. Feet
	Luffing Jib Angle Degrees	Fixed Jib Point Elev. Feet	Fixed Jib Capacity Pounds	Luffing Jib Angle Degrees	Fixed Jib Point Elev. Feet	Fixed Jib Capacity Pounds	Luffing Jib Angle Degrees	Fixed Jib Point Elev. Feet	Fixed Jib Capacity Pounds	
70	75.5	401.4	15,400*							70
75	74.1	400.0	15,200*							75
80	72.7	398.5	14,900*							80
85	71.2	396.8	14,600*							85
90	69.8	394.9	14,400*							90
95	68.3	392.9	14,100*							95
100	66.8	390.8	13,800*							100
105	65.3	388.5	13,600*	70.2	394.0	14,200*				105
110	63.8	386.0	13,300*	68.8	392.0	13,900*				110
115	62.3	383.4	13,000*	67.3	390.0	13,700*				115
120	60.7	380.6	12,800*	65.8	387.7	13,400*				120
125	59.2	377.7	12,600*	64.3	385.3	13,200*				125
130	57.6	374.5	12,400*	62.8	382.7	13,000*				130
135	55.9	371.1	12,200*	61.2	380.0	12,800*				135
140	54.2	367.5	12,000*	59.6	377.1	12,600*				140
145	52.5	363.7	11,800*	58.0	374.0	12,400*				145
150	50.8	359.7	11,500*	56.4	370.7	12,200*				150
155	49.0	355.4	11,200*	54.8	367.1	12,000*				155
160	47.2	350.8	10,900*	53.1	363.4	11,800*				160
165	45.2	345.8	10,600*	51.3	359.4	11,700*				165
170	43.3	340.6	10,300*	49.5	355.2	11,400*				170
175	41.2	334.9	10,100*	47.7	350.7	11,100*				175
180	39.1	328.9	9,800*	45.8	345.9	10,800*				180
185	36.8	322.3	9,600*	43.9	340.7	10,500*				185
190	34.5	315.1	9,400*	41.9	335.2	10,300*	57.0	361.3	10,900	190
195	32.0	307.3	9,200*	39.7	329.2	10,000*	55.3	357.8	10,300	195
200	29.2	298.6	9,000*	37.5	322.8	9,800*	53.6	354.2	9,800	200
205	26.2	288.8	8,800*	35.2	315.9	9,600*	51.9	350.3	9,300	205
210	22.9	277.5	8,700*	32.7	308.2	9,400*	50.2	346.1	8,900	210
220	13.9	246.1	8,400*	27.2	290.4	9,000*	46.5	337.0	8,000	220
230				20.2	266.8	8,600*	42.6	326.6	7,300	230
240				8.8	226.1	8,400*	38.3	314.5	6,500	240
250							33.6	300.4	5,900	250
260							28.2	283.2	5,300	260
270							21.6	260.9	4,700	270
280							11.6	225.7	4,100	280

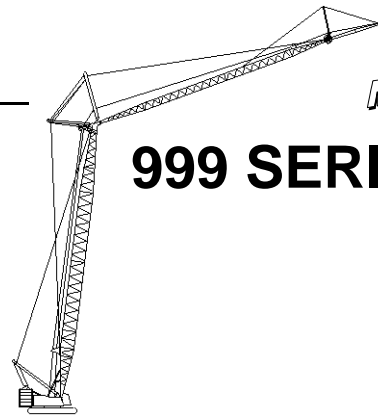


Liftcrane Fixed Jib Capacities

999 SERIES 3

New York City Code
 Fixed Jib No. 138 At
 3 Degree Offset Angle On
 Luffing Jib No. 135 On
 Boom No. 82 or 22EL
 219,600 Lb. Crane Counterweight
 80,000 Lb. Carbody Counterweight
 360 Degree Rating

Designed And Tested
 With The Intent To
 Be In The Scope of
 ANSI B30.5



190 Ft. Boom, 160 Ft. Luffing Jib, 60 Ft. Fixed Jib

Fixed Jib Oper. Rad. Feet	88 Degree Boom Angle			83 Degree Boom Angle			70 Degree Boom Angle			Fixed Jib Oper. Rad. Feet
	Luffing Jib Angle Degrees	Fixed Jib Point Elev. Feet	Fixed Jib Capacity Pounds	Luffing Jib Angle Degrees	Fixed Jib Point Elev. Feet	Fixed Jib Capacity Pounds	Luffing Jib Angle Degrees	Fixed Jib Point Elev. Feet	Fixed Jib Capacity Pounds	
75	74.8	410.4	14,500*							75
80	73.5	408.9	14,300*							80
85	72.1	407.3	14,000*							85
90	70.7	405.6	13,800*							90
95	69.3	403.7	13,600*							95
100	68.0	401.7	13,300*							100
105	66.5	399.5	13,100*							105
110	65.1	397.2	12,800*	69.8	402.8	13,400*				110
115	63.7	394.7	12,600*	68.4	400.8	13,100*				115
120	62.2	392.1	12,400*	67.0	398.7	13,000*				120
125	60.7	389.3	12,200*	65.5	396.4	12,700*				125
130	59.2	386.3	12,000*	64.1	394.0	12,500*				130
135	57.7	383.2	11,900*	62.6	391.4	12,400*				135
140	56.1	379.8	11,600*	61.2	388.7	12,200*				140
145	54.5	376.3	11,500*	59.7	385.7	12,000*				145
150	52.9	372.5	11,300*	58.1	382.6	11,800*				150
155	51.2	368.5	11,000*	56.6	379.4	11,600*				155
160	49.5	364.3	10,700*	55.0	375.9	11,500*				160
165	47.8	359.8	10,400*	53.4	372.2	11,300*				165
170	46.0	355.0	10,200*	51.7	368.3	11,200*				170
175	44.1	349.9	9,900*	50.1	364.1	11,000*				175
180	42.2	344.4	9,700*	48.3	359.7	10,700*				180
185	40.2	338.6	9,500*	46.5	355.0	10,400*				185
190	38.1	332.3	9,300*	44.7	350.0	10,100*				190
195	36.0	325.5	9,100*	42.8	344.6	9,900*	57.1	370.0	9,800	195
200	33.7	318.1	8,900*	40.8	338.9	9,700*	55.5	366.5	9,300	200
205	31.2	310.0	8,700*	38.8	332.7	9,500*	53.9	362.9	8,800	205
210	28.5	301.1	8,600*	36.6	326.1	9,300*	52.3	359.1	8,400	210
220	22.3	279.4	8,300*	31.9	311.1	8,900*	48.9	350.7	7,500	220
230	13.6	247.3	8,000*	26.5	292.7	8,500*	45.3	341.2	6,700	230
240				19.7	268.5	8,200*	41.5	330.4	6,000	240
250				8.6	226.8	8,000*	37.4	317.9	5,400	250
260							32.8	303.3	4,800	260
270							27.5	285.6	4,200	270

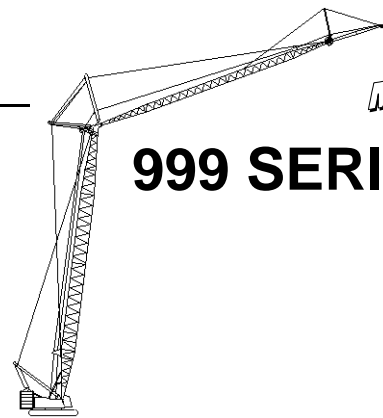


Liftcrane Fixed Jib Capacities

999 SERIES 3

New York City Code
Fixed Jib No. 138 At
3 Degree Offset Angle On
Luffing Jib No. 135 On
Boom No. 82 or 22EL
219,600 Lb. Crane Counterweight
80,000 Lb. Carbody Counterweight
360 Degree Rating

Designed And Tested
With The Intent To
Be In The Scope of
ANSI B30.5



190 Ft. Boom, 170 Ft. Luffing Jib, 60 Ft. Fixed Jib

Fixed Jib Oper. Rad. Feet	88 Degree Boom Angle			83 Degree Boom Angle			70 Degree Boom Angle			Fixed Jib Oper. Rad. Feet
	Luffing Jib Angle Degrees	Fixed Jib Point Elev. Feet	Fixed Jib Capacity Pounds	Luffing Jib Angle Degrees	Fixed Jib Point Elev. Feet	Fixed Jib Capacity Pounds	Luffing Jib Angle Degrees	Fixed Jib Point Elev. Feet	Fixed Jib Capacity Pounds	
75	75.5	420.8	13,800*							75
80	74.2	419.4	13,600*							80
85	72.9	417.9	13,400*							85
90	71.6	416.2	13,200*							90
95	70.3	414.4	13,000*							95
100	69.0	412.5	12,800*							100
105	67.6	410.4	12,600*							105
110	66.3	408.2	12,400*	70.7	413.5	12,700*				110
115	64.9	405.9	12,200*	69.4	411.6	12,500*				115
120	63.5	403.4	12,000*	68.0	409.6	12,400*				120
125	62.1	400.8	11,800*	66.7	407.4	12,200*				125
130	60.7	398.0	11,600*	65.3	405.1	12,000*				130
135	59.2	395.0	11,400*	63.9	402.7	11,800*				135
140	57.8	391.8	11,300*	62.5	400.1	11,700*				140
145	56.3	388.5	11,100*	61.1	397.3	11,500*				145
150	54.8	385.0	11,000*	59.7	394.4	11,400*				150
155	53.2	381.3	10,800*	58.2	391.3	11,200*				155
160	51.6	377.3	10,500*	56.7	388.0	11,100*				160
165	50.0	373.2	10,300*	55.2	384.6	10,900*				165
170	48.4	368.8	10,000*	53.7	380.9	10,800*				170
175	46.7	364.1	9,800*	52.1	377.1	10,700*				175
180	44.9	359.1	9,500*	50.5	373.0	10,500*				180
185	43.1	353.8	9,300*	48.9	368.6	10,200*				185
190	41.2	348.2	9,100*	47.2	364.0	10,000*				190
195	39.3	342.1	8,900*	45.5	359.1	9,700*				195
200	37.3	335.6	8,700*	43.7	353.9	9,500*	57.2	378.6	8,900	200
205	35.1	328.6	8,600*	41.8	348.4	9,300*	55.7	375.3	8,400	205
210	32.9	321.1	8,400*	39.9	342.5	9,100*	54.2	371.7	8,000	210
220	27.9	303.5	8,100*	35.8	329.3	8,700*	51.1	363.9	7,100	220
230	21.8	281.3	7,800*	31.2	313.8	8,400*	47.8	355.1	6,400	230
240	13.3	248.4	7,600*	25.9	295.0	8,100*	44.3	345.2	5,700	240
250				19.3	270.1	7,800*	40.6	334.0	5,000	250
260				8.4	227.4	7,600*	36.5	321.2	4,400	260

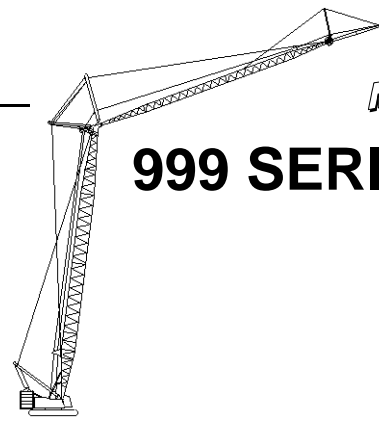


Liftcrane Fixed Jib Capacities

999 SERIES 3

New York City Code
 Fixed Jib No. 138 At
 3 Degree Offset Angle On
 Luffing Jib No. 135 On
 Boom No. 82 or 22EL
 219,600 Lb. Crane Counterweight
 80,000 Lb. Carbody Counterweight
 360 Degree Rating

Designed And Tested
 With The Intent To
 Be In The Scope of
 ANSI B30.5



200 Ft. Boom, 140 Ft. Luffing Jib, 30 Ft. Fixed Jib

Fixed Jib Oper. Rad. Feet	88 Degree Boom Angle			83 Degree Boom Angle			70 Degree Boom Angle			Fixed Jib Oper. Rad. Feet
	Luffing Jib Angle Degrees	Fixed Jib Point Elev. Feet	Fixed Jib Capacity Pounds	Luffing Jib Angle Degrees	Fixed Jib Point Elev. Feet	Fixed Jib Capacity Pounds	Luffing Jib Angle Degrees	Fixed Jib Point Elev. Feet	Fixed Jib Capacity Pounds	
60	75.3	372.8	26,800*							60
65	73.5	371.3	26,500*							65
70	71.8	369.7	26,300*							70
75	70.0	367.9	26,000*							75
80	68.2	366.0	25,800*							80
85	66.4	363.8	25,500*							85
90	64.5	361.5	25,300*	70.9	367.3	26,200*				90
95	62.7	358.9	24,900*	69.1	365.4	26,000*				95
100	60.7	356.2	24,000*	67.3	363.3	25,900*				100
105	58.8	353.2	23,200*	65.4	361.1	25,700*				105
110	56.8	350.0	22,400*	63.6	358.6	25,500*				110
115	54.8	346.5	21,700*	61.7	356.0	24,900*				115
120	52.7	342.8	21,100*	59.7	353.1	24,100*				120
125	50.5	338.7	20,500*	57.7	350.0	23,300*				125
130	48.3	334.4	19,900*	55.7	346.6	22,500*				130
135	46.0	329.6	19,300*	53.7	343.0	21,800*				135
140	43.6	324.5	18,800*	51.5	339.1	21,100*				140
145	41.1	318.9	18,400*	49.3	334.9	20,500*				145
150	38.4	312.7	17,900*	47.1	330.4	19,900*				150
155	35.6	306.0	17,200*	44.7	325.4	19,400*				155
160	32.5	298.4	16,500*	42.3	320.0	18,900*				160
165	29.2	289.9	15,800*	39.7	314.2	18,400*				165
170	25.5	280.0	15,200*	36.9	307.7	18,000*	57.3	338.2	12,600	170
175	21.2	268.0	14,600*	34.0	300.5	17,600*	55.3	334.8	12,000	175
180	15.7	252.5	14,100*	30.8	292.5	17,200*	53.2	331.1	11,300	180
185	6.6	225.8	13,700*	27.3	283.3	16,800*	51.1	327.2	10,800	185
190				23.3	272.5	16,500*	48.9	322.9	10,200	190
195				18.5	259.0	16,200*	46.6	318.2	9,700	195
200				11.9	239.8	16,000*	44.2	313.2	9,200	200
205							41.7	307.7	8,700	205
210							39.1	301.7	8,200	210
220							33.3	287.8	7,400	220
230							26.5	270.0	6,600	230
240							17.3	244.4	5,800	240

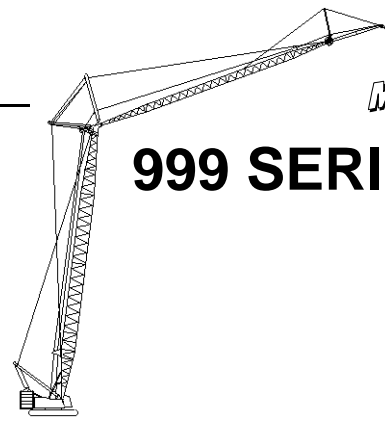


Liftcrane Fixed Jib Capacities

999 SERIES 3

New York City Code
Fixed Jib No. 138 At
3 Degree Offset Angle On
Luffing Jib No. 135 On
Boom No. 82 or 22EL
219,600 Lb. Crane Counterweight
80,000 Lb. Carbody Counterweight
360 Degree Rating

Designed And Tested
With The Intent To
Be In The Scope of
ANSI B30.5



200 Ft. Boom, 150 Ft. Luffing Jib, 30 Ft. Fixed Jib

Fixed Jib Oper. Rad. Feet	88 Degree Boom Angle			83 Degree Boom Angle			70 Degree Boom Angle			Fixed Jib Oper. Rad. Feet
	Luffing Jib Angle Degrees	Fixed Jib Point Elev. Feet	Fixed Jib Capacity Pounds	Luffing Jib Angle Degrees	Fixed Jib Point Elev. Feet	Fixed Jib Capacity Pounds	Luffing Jib Angle Degrees	Fixed Jib Point Elev. Feet	Fixed Jib Capacity Pounds	
65	74.5	381.8	25,900*							65
70	72.8	380.3	25,700*							70
75	71.2	378.6	25,500*							75
80	69.5	376.7	25,300*							80
85	67.8	374.7	25,000*							85
90	66.0	372.5	24,800*							90
95	64.3	370.2	24,400*	70.3	376.1	25,400*				95
100	62.5	367.6	23,500*	68.6	374.1	25,300*				100
105	60.7	364.9	22,800*	66.9	372.0	25,100*				105
110	58.9	361.9	22,000*	65.1	369.8	25,000*				110
115	57.0	358.7	21,400*	63.4	367.3	24,400*				115
120	55.1	355.2	20,700*	61.6	364.6	23,500*				120
125	53.1	351.5	20,100*	59.7	361.8	22,800*				125
130	51.1	347.6	19,600*	57.9	358.7	22,100*				130
135	49.0	343.3	19,100*	56.0	355.3	21,400*				135
140	46.8	338.7	18,600*	54.0	351.8	20,800*				140
145	44.6	333.7	18,100*	52.0	347.9	20,200*				145
150	42.3	328.4	17,400*	50.0	343.8	19,600*				150
155	39.8	322.5	16,800*	47.9	339.4	19,100*				155
160	37.3	316.1	16,100*	45.7	334.6	18,600*				160
165	34.5	309.1	15,500*	43.4	329.4	18,200*				165
170	31.6	301.2	14,900*	41.0	323.8	17,700*				170
175	28.4	292.4	14,300*	38.5	317.7	17,300*	57.5	346.9	11,800	175
180	24.8	282.1	13,800*	35.9	310.9	17,000*	55.6	343.5	11,200	180
185	20.6	269.8	13,300*	33.0	303.5	16,600*	53.6	339.9	10,600	185
190	15.3	253.9	12,800*	29.9	295.2	16,300*	51.6	336.0	10,000	190
195	6.4	226.3	12,600*	26.5	285.6	16,000*	49.5	331.8	9,500	195
200				22.7	274.4	15,700*	47.4	327.3	9,000	200
205				18.0	260.5	15,400*	45.2	322.4	8,500	205
210				11.5	240.8	15,200*	42.9	317.2	8,100	210
220							37.9	305.2	7,200	220
230							32.4	290.7	6,400	230
240							25.7	272.3	5,700	240
250							16.8	245.9	5,000	250

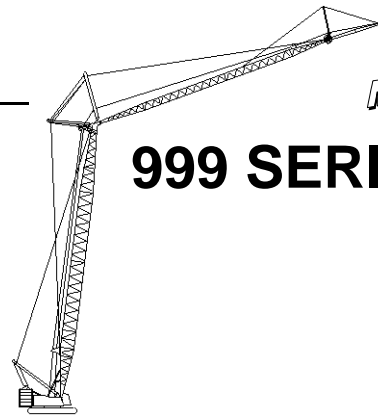


Liftcrane Fixed Jib Capacities

999 SERIES 3

New York City Code
 Fixed Jib No. 138 At
 3 Degree Offset Angle On
 Luffing Jib No. 135 On
 Boom No. 82 or 22EL
 219,600 Lb. Crane Counterweight
 80,000 Lb. Carbody Counterweight
 360 Degree Rating

Designed And Tested
 With The Intent To
 Be In The Scope of
 ANSI B30.5



200 Ft. Boom, 160 Ft. Luffing Jib, 30 Ft. Fixed Jib

Fixed Jib Oper. Rad. Feet	88 Degree Boom Angle			83 Degree Boom Angle			70 Degree Boom Angle			Fixed Jib Oper. Rad. Feet
	Luffing Jib Angle Degrees	Fixed Jib Point Elev. Feet	Fixed Jib Capacity Pounds	Luffing Jib Angle Degrees	Fixed Jib Point Elev. Feet	Fixed Jib Capacity Pounds	Luffing Jib Angle Degrees	Fixed Jib Point Elev. Feet	Fixed Jib Capacity Pounds	
65	75.3	392.2	24,400*							65
70	73.8	390.7	24,400*							70
75	72.2	389.2	23,900*							75
80	70.6	387.4	23,700*							80
85	69.0	385.5	23,500*							85
90	67.4	383.5	23,300*							90
95	65.7	381.3	23,000*							95
100	64.1	378.9	22,600*	69.8	384.9	22,600*				100
105	62.4	376.3	22,100*	68.1	382.9	22,400*				105
110	60.7	373.5	21,500*	66.5	380.8	22,300*				110
115	58.9	370.5	20,900*	64.9	378.5	22,200*				115
120	57.1	367.4	20,300*	63.2	376.0	22,100*				120
125	55.3	364.0	19,700*	61.5	373.3	21,900*				125
130	53.5	360.3	19,100*	59.8	370.4	21,600*				130
135	51.6	356.4	18,500*	58.0	367.3	21,000*				135
140	49.6	352.2	17,900*	56.2	364.0	20,400*				140
145	47.6	347.7	17,300*	54.4	360.5	19,800*				145
150	45.5	342.9	16,700*	52.5	356.7	19,300*				150
155	43.3	337.7	16,100*	50.5	352.7	18,800*				155
160	41.1	332.1	15,500*	48.6	348.3	18,400*				160
165	38.7	326.0	15,000*	46.5	343.7	17,900*				165
170	36.2	319.4	14,500*	44.4	338.7	17,500*				170
175	33.6	312.1	13,900*	42.2	333.3	17,100*				175
180	30.7	304.0	13,500*	39.9	327.4	16,800*	57.6	355.6	10,600	180
185	27.6	294.8	13,000*	37.4	321.0	16,400*	55.8	352.2	10,000	185
190	24.1	284.2	12,500*	34.9	314.1	16,100*	53.9	348.6	9,500	190
195	20.0	271.6	12,100*	32.1	306.4	15,800*	52.1	344.8	8,900	195
200	14.8	255.1	11,700*	29.1	297.7	15,500*	50.1	340.7	8,400	200
205	6.2	226.8	11,500*	25.8	287.9	15,300*	48.1	336.3	8,000	205
210				22.0	276.4	15,000*	46.1	331.6	7,500	210
220				11.2	241.8	14,500*	41.7	321.0	6,700	220
230							36.9	308.5	5,900	230
240							31.5	293.5	5,200	240
250							25.0	274.5	4,500	250

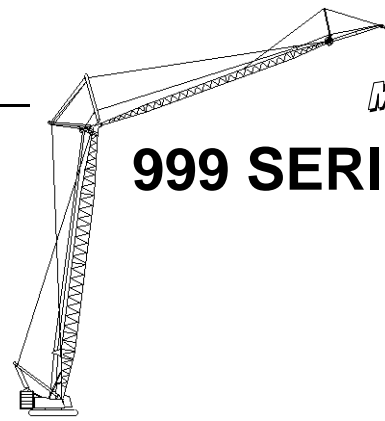


Liftcrane Fixed Jib Capacities

999 SERIES 3

New York City Code
 Fixed Jib No. 138 At
 3 Degree Offset Angle On
 Luffing Jib No. 135 On
 Boom No. 82 or 22EL
 219,600 Lb. Crane Counterweight
 80,000 Lb. Carbody Counterweight
 360 Degree Rating

Designed And Tested
 With The Intent To
 Be In The Scope of
 ANSI B30.5



200 Ft. Boom, 170 Ft. Luffing Jib, 30 Ft. Fixed Jib

Fixed Jib Oper. Rad. Feet	88 Degree Boom Angle			83 Degree Boom Angle			70 Degree Boom Angle			Fixed Jib Oper. Rad. Feet
	Luffing Jib Angle Degrees	Fixed Jib Point Elev. Feet	Fixed Jib Capacity Pounds	Luffing Jib Angle Degrees	Fixed Jib Point Elev. Feet	Fixed Jib Capacity Pounds	Luffing Jib Angle Degrees	Fixed Jib Point Elev. Feet	Fixed Jib Capacity Pounds	
70	74.6	401.2	21,700*							70
75	73.1	399.7	21,500*							75
80	71.6	398.0	21,300*							80
85	70.1	396.2	21,100*							85
90	68.6	394.3	20,800*							90
95	67.0	392.2	20,600*							95
100	65.4	390.0	20,300*	70.8	395.5	20,200*				100
105	63.9	387.5	20,100*	69.3	393.7	20,100*				105
110	62.3	384.9	19,900*	67.7	391.7	19,900*				110
115	60.6	382.2	19,400*	66.2	389.5	19,800*				115
120	59.0	379.2	18,900*	64.6	387.1	19,600*				120
125	57.3	376.0	18,400*	63.0	384.6	19,500*				125
130	55.6	372.7	17,900*	61.4	381.9	19,300*				130
135	53.8	369.1	17,400*	59.8	379.1	19,200*				135
140	52.0	365.2	16,900*	58.1	376.0	19,100*				140
145	50.2	361.1	16,400*	56.4	372.7	19,000*				145
150	48.3	356.7	15,900*	54.6	369.2	18,900*				150
155	46.3	352.0	15,400*	52.9	365.5	18,400*				155
160	44.3	347.0	14,900*	51.0	361.5	18,000*				160
165	42.2	341.6	14,400*	49.2	357.3	17,500*				165
170	40.0	335.8	13,900*	47.2	352.7	17,200*				170
175	37.7	329.4	13,500*	45.3	347.9	16,800*				175
180	35.3	322.6	13,000*	43.2	342.6	16,400*				180
185	32.7	315.0	12,600*	41.1	337.0	16,100*	57.7	364.2	9,600	185
190	29.9	306.6	12,200*	38.8	330.9	15,800*	56.0	360.9	9,100	190
195	26.9	297.2	11,800*	36.4	324.3	15,500*	54.3	357.4	8,500	195
200	23.5	286.3	11,400*	33.9	317.1	15,200*	52.5	353.6	8,000	200
205	19.5	273.3	11,100*	31.3	309.2	15,000*	50.6	349.6	7,600	205
210	14.4	256.4	10,800*	28.4	300.3	14,800*	48.8	345.2	7,100	210
220				21.5	278.2	14,200*	44.8	335.7	6,300	220
230				10.9	242.7	13,300*	40.6	324.7	5,500	230
240							35.9	311.8	4,800	240
250							30.7	296.2	4,200	250

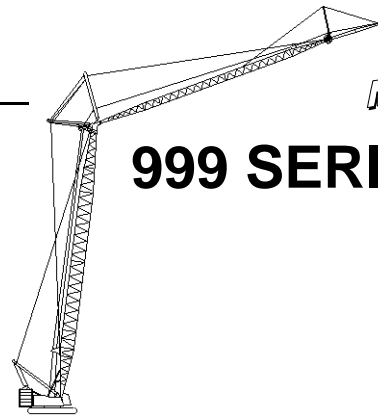


Liftcrane Fixed Jib Capacities

999 SERIES 3

New York City Code
 Fixed Jib No. 138 At
 3 Degree Offset Angle On
 Luffing Jib No. 135 On
 Boom No. 82 or 22EL
 219,600 Lb. Crane Counterweight
 80,000 Lb. Carbody Counterweight
 360 Degree Rating

Designed And Tested
 With The Intent To
 Be In The Scope of
 ANSI B30.5



200 Ft. Boom, 140 Ft. Luffing Jib, 40 Ft. Fixed Jib

Fixed Jib Oper. Rad. Feet	88 Degree Boom Angle			83 Degree Boom Angle			70 Degree Boom Angle			Fixed Jib Oper. Rad. Feet
	Luffing Jib Angle Degrees	Fixed Jib Point Elev. Feet	Fixed Jib Capacity Pounds	Luffing Jib Angle Degrees	Fixed Jib Point Elev. Feet	Fixed Jib Capacity Pounds	Luffing Jib Angle Degrees	Fixed Jib Point Elev. Feet	Fixed Jib Capacity Pounds	
65	74.9	381.7	22,200*							65
70	73.2	380.2	21,900*							70
75	71.6	378.5	21,700*							75
80	69.9	376.7	21,500*							80
85	68.2	374.7	21,200*							85
90	66.5	372.5	21,000*							90
95	64.7	370.1	20,800*	70.7	376.0	21,700*				95
100	62.9	367.6	20,300*	69.0	374.1	21,500*				100
105	61.1	364.8	19,600*	67.3	372.0	21,300*				105
110	59.3	361.8	19,000*	65.5	369.7	21,100*				110
115	57.4	358.6	18,300*	63.8	367.2	21,000*				115
120	55.5	355.2	17,700*	62.0	364.6	20,300*				120
125	53.5	351.5	17,200*	60.1	361.7	19,600*				125
130	51.5	347.5	16,700*	58.3	358.6	19,000*				130
135	49.4	343.2	16,200*	56.4	355.3	18,400*				135
140	47.2	338.6	15,800*	54.4	351.7	17,800*				140
145	45.0	333.7	15,400*	52.4	347.9	17,200*				145
150	42.7	328.3	15,000*	50.4	343.7	16,700*				150
155	40.2	322.4	14,600*	48.3	339.3	16,200*				155
160	37.7	316.0	14,300*	46.1	334.5	15,800*				160
165	34.9	309.0	13,900*	43.8	329.3	15,400*				165
170	32.0	301.1	13,600*	41.4	323.7	15,000*				170
175	28.8	292.3	13,400*	38.9	317.6	14,600*	57.9	346.8	12,100	175
180	25.1	282.0	13,100*	36.3	310.9	14,300*	56.0	343.5	11,400	180
185	20.9	269.7	12,800*	33.4	303.4	14,000*	54.0	339.8	10,800	185
190	15.6	253.7	12,300*	30.3	295.1	13,700*	52.0	335.9	10,300	190
195	6.6	225.8	12,000*	26.9	285.5	13,400*	49.9	331.7	9,800	195
200				23.0	274.3	13,200*	47.8	327.2	9,300	200
205				18.3	260.4	12,900*	45.6	322.4	8,800	205
210				11.9	240.5	12,700*	43.3	317.1	8,300	210
220							38.3	305.1	7,500	220
230							32.8	290.6	6,700	230
240							26.1	272.2	6,000	240
250							17.1	245.7	5,300	250

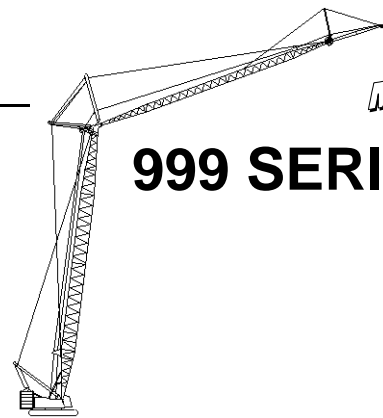


Liftcrane Fixed Jib Capacities

999 SERIES 3

New York City Code
Fixed Jib No. 138 At
3 Degree Offset Angle On
Luffing Jib No. 135 On
Boom No. 82 or 22EL
219,600 Lb. Crane Counterweight
80,000 Lb. Carbody Counterweight
360 Degree Rating

Designed And Tested
With The Intent To
Be In The Scope of
ANSI B30.5



200 Ft. Boom, 150 Ft. Luffing Jib, 40 Ft. Fixed Jib

Fixed Jib Oper. Rad. Feet	88 Degree Boom Angle			83 Degree Boom Angle			70 Degree Boom Angle			Fixed Jib Oper. Rad. Feet
	Luffing Jib Angle Degrees	Fixed Jib Point Elev. Feet	Fixed Jib Capacity Pounds	Luffing Jib Angle Degrees	Fixed Jib Point Elev. Feet	Fixed Jib Capacity Pounds	Luffing Jib Angle Degrees	Fixed Jib Point Elev. Feet	Fixed Jib Capacity Pounds	
65	75.7	392.1	21,800*							65
70	74.1	390.7	21,500*							70
75	72.6	389.1	21,300*							75
80	71.0	387.4	21,100*							80
85	69.4	385.5	20,900*							85
90	67.8	383.4	20,700*							90
95	66.1	381.2	20,500*							95
100	64.5	378.8	19,900*	70.1	384.8	21,100*				100
105	62.8	376.2	19,200*	68.5	382.9	20,900*				105
110	61.1	373.5	18,600*	66.9	380.7	20,700*				110
115	59.3	370.5	18,000*	65.2	378.4	20,600*				115
120	57.5	367.3	17,400*	63.6	375.9	19,900*				120
125	55.7	363.9	16,900*	61.9	373.2	19,200*				125
130	53.9	360.2	16,400*	60.1	370.4	18,600*				130
135	51.9	356.3	16,000*	58.4	367.3	18,000*				135
140	50.0	352.1	15,500*	56.6	364.0	17,500*				140
145	48.0	347.7	15,100*	54.7	360.4	16,900*				145
150	45.9	342.8	14,700*	52.9	356.7	16,500*				150
155	43.7	337.6	14,400*	50.9	352.6	16,000*				155
160	41.5	332.0	14,000*	48.9	348.3	15,600*				160
165	39.1	325.9	13,700*	46.9	343.6	15,200*				165
170	36.6	319.3	13,400*	44.8	338.6	14,800*				170
175	34.0	312.0	13,200*	42.6	333.2	14,400*				175
180	31.1	303.9	12,900*	40.2	327.3	14,100*	58.0	355.5	11,200	180
185	28.0	294.7	12,600*	37.8	321.0	13,800*	56.2	352.2	10,700	185
190	24.4	284.1	12,200*	35.2	314.0	13,500*	54.3	348.6	10,100	190
195	20.3	271.4	11,700*	32.5	306.3	13,200*	52.4	344.7	9,600	195
200	15.2	254.9	11,300*	29.5	297.6	12,900*	50.5	340.6	9,100	200
205	6.4	226.3	11,100*	26.2	287.8	12,700*	48.5	336.2	8,600	205
210				22.4	276.2	12,500*	46.4	331.5	8,200	210
220				11.5	241.5	12,100*	42.1	320.9	7,300	220
230							37.3	308.4	6,500	230
240							31.8	293.4	5,800	240
250							25.4	274.4	5,200	250
260							16.7	247.1	4,500	260



Liftcrane Fixed Jib Capacities

999 SERIES 3

New York City Code

Fixed Jib No. 138 At

3 Degree Offset Angle On

Luffing Jib No. 135 On

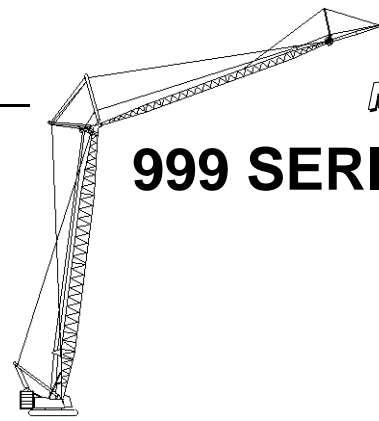
Boom No. 82 or 22EL

219,600 Lb. Crane Counterweight

80,000 Lb. Carbody Counterweight

360 Degree Rating

Designed And Tested
With The Intent To
Be In The Scope of
ANSI B30.5



200 Ft. Boom, 160 Ft. Luffing Jib, 40 Ft. Fixed Jib

Fixed Jib Oper. Rad. Feet	88 Degree Boom Angle			83 Degree Boom Angle			70 Degree Boom Angle			Fixed Jib Oper. Rad. Feet
	Luffing Jib Angle Degrees	Fixed Jib Point Elev. Feet	Fixed Jib Capacity Pounds	Luffing Jib Angle Degrees	Fixed Jib Point Elev. Feet	Fixed Jib Capacity Pounds	Luffing Jib Angle Degrees	Fixed Jib Point Elev. Feet	Fixed Jib Capacity Pounds	
70	75.0	401.1	21,000*							70
75	73.5	399.6	20,800*							75
80	72.0	398.0	20,600*							80
85	70.5	396.2	20,400*							85
90	68.9	394.2	20,200*							90
95	67.4	392.2	20,000*							95
100	65.8	389.9	19,500*							100
105	64.2	387.5	18,900*	69.7	393.6	19,700*				105
110	62.6	384.9	18,200*	68.1	391.6	19,600*				110
115	61.0	382.1	17,700*	66.6	389.4	19,500*				115
120	59.3	379.1	17,100*	65.0	387.1	19,300*				120
125	57.7	376.0	16,600*	63.4	384.6	18,800*				125
130	55.9	372.6	16,100*	61.8	381.9	18,200*				130
135	54.2	369.0	15,700*	60.1	379.0	17,700*				135
140	52.4	365.1	15,300*	58.5	375.9	17,100*				140
145	50.5	361.0	14,900*	56.8	372.7	16,600*				145
150	48.6	356.6	14,500*	55.0	369.2	16,200*				150
155	46.7	351.9	14,200*	53.2	365.4	15,700*				155
160	44.7	346.9	13,900*	51.4	361.5	15,300*				160
165	42.5	341.5	13,600*	49.5	357.2	14,900*				165
170	40.4	335.7	13,300*	47.6	352.7	14,600*				170
175	38.1	329.4	13,000*	45.6	347.8	14,200*				175
180	35.6	322.5	12,700*	43.6	342.6	13,900*				180
185	33.0	314.9	12,300*	41.4	336.9	13,600*				185
190	30.3	306.5	11,900*	39.2	330.9	13,300*	56.4	360.9	9,500	190
195	27.2	297.1	11,500*	36.8	324.3	13,000*	54.6	357.3	9,000	195
200	23.8	286.2	11,100*	34.3	317.0	12,800*	52.8	353.5	8,500	200
205	19.8	273.1	10,700*	31.6	309.1	12,500*	51.0	349.5	8,100	205
210	14.8	256.2	10,400*	28.7	300.2	12,300*	49.1	345.2	7,600	210
220				21.8	278.1	11,900*	45.2	335.6	6,800	220
230				11.2	242.4	11,600*	40.9	324.6	6,000	230
240							36.3	311.7	5,300	240
250							31.0	296.1	4,700	250
260							24.7	276.5	4,100	260

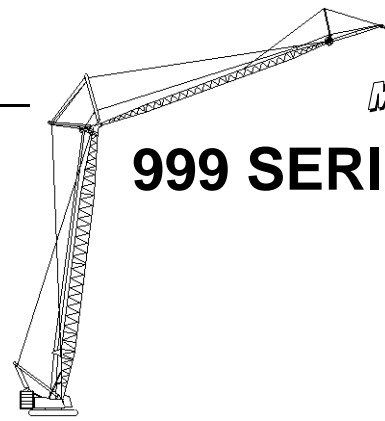


Liftcrane Fixed Jib Capacities

999 SERIES 3

New York City Code
Fixed Jib No. 138 At
3 Degree Offset Angle On
Luffing Jib No. 135 On
Boom No. 82 or 22EL
219,600 Lb. Crane Counterweight
80,000 Lb. Carbody Counterweight
360 Degree Rating

Designed And Tested
With The Intent To
Be In The Scope of
ANSI B30.5



200 Ft. Boom, 170 Ft. Luffing Jib, 40 Ft. Fixed Jib

Fixed Jib Oper. Rad. Feet	88 Degree Boom Angle			83 Degree Boom Angle			70 Degree Boom Angle			Fixed Jib Oper. Rad. Feet
	Luffing Jib Angle Degrees	Fixed Jib Point Elev. Feet	Fixed Jib Capacity Pounds	Luffing Jib Angle Degrees	Fixed Jib Point Elev. Feet	Fixed Jib Capacity Pounds	Luffing Jib Angle Degrees	Fixed Jib Point Elev. Feet	Fixed Jib Capacity Pounds	
70	75.7	411.5	19,400*							70
75	74.3	410.1	19,200*							75
80	72.9	408.5	19,000*							80
85	71.4	406.8	18,800*							85
90	70.0	405.0	18,500*							90
95	68.5	403.0	18,300*							95
100	67.0	400.9	18,100*							100
105	65.5	398.6	18,000*	70.7	404.3	17,900*				105
110	64.0	396.2	17,800*	69.2	402.4	17,800*				110
115	62.5	393.6	17,200*	67.7	400.3	17,600*				115
120	61.0	390.8	16,700*	66.3	398.1	17,500*				120
125	59.4	387.8	16,200*	64.8	395.8	17,300*				125
130	57.8	384.7	15,800*	63.2	393.2	17,200*				130
135	56.1	381.3	15,400*	61.7	390.6	17,100*				135
140	54.5	377.7	15,000*	60.1	387.7	16,700*				140
145	52.8	373.9	14,600*	58.5	384.6	16,300*				145
150	51.0	369.9	14,200*	56.9	381.4	15,800*				150
155	49.2	365.6	13,900*	55.3	377.9	15,400*				155
160	47.4	361.0	13,600*	53.6	374.2	15,000*				160
165	45.5	356.1	13,300*	51.8	370.3	14,600*				165
170	43.5	350.9	13,000*	50.1	366.1	14,300*				170
175	41.5	345.3	12,700*	48.3	361.7	13,900*				175
180	39.3	339.2	12,300*	46.4	356.9	13,600*				180
185	37.1	332.7	11,900*	44.5	351.8	13,300*				185
190	34.7	325.6	11,600*	42.4	346.4	13,100*				190
195	32.2	317.8	11,200*	40.4	340.6	12,800*	56.6	369.6	8,600	195
200	29.5	309.1	10,800*	38.2	334.3	12,500*	54.9	366.0	8,100	200
205	26.5	299.4	10,500*	35.9	327.5	12,300*	53.2	362.3	7,700	205
210	23.2	288.2	10,100*	33.4	320.0	12,100*	51.5	358.3	7,200	210
220	14.4	257.4	9,600*	28.0	302.6	11,700*	47.9	349.6	6,400	220
230				21.2	279.9	11,400*	44.0	339.6	5,700	230
240				10.9	243.3	11,100*	39.9	328.2	5,000	240
250							35.4	314.8	4,300	250

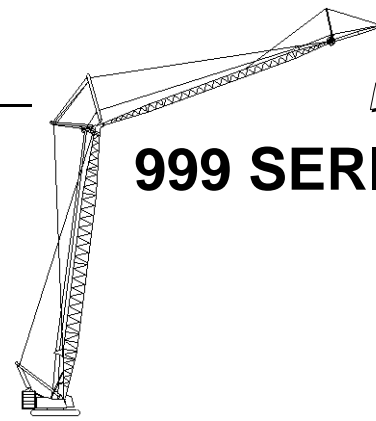


Liftcrane Fixed Jib Capacities

999 SERIES 3

New York City Code
 Fixed Jib No. 138 At
 3 Degree Offset Angle On
 Luffing Jib No. 135 On
 Boom No. 82 or 22EL
 219,600 Lb. Crane Counterweight
 80,000 Lb. Carbody Counterweight
 360 Degree Rating

Designed And Tested
 With The Intent To
 Be In The Scope of
 ANSI B30.5



200 Ft. Boom, 140 Ft. Luffing Jib, 50 Ft. Fixed Jib

Fixed Jib Oper. Rad. Feet	88 Degree Boom Angle			83 Degree Boom Angle			70 Degree Boom Angle			Fixed Jib Oper. Rad. Feet
	Luffing Jib Angle Degrees	Fixed Jib Point Elev. Feet	Fixed Jib Capacity Pounds	Luffing Jib Angle Degrees	Fixed Jib Point Elev. Feet	Fixed Jib Capacity Pounds	Luffing Jib Angle Degrees	Fixed Jib Point Elev. Feet	Fixed Jib Capacity Pounds	
65	75.8	392.1	19,000*							65
70	74.2	390.7	18,800*							70
75	72.7	389.1	18,600*							75
80	71.1	387.4	18,300*							80
85	69.5	385.5	18,100*							85
90	67.9	383.4	17,900*							90
95	66.2	381.2	17,700*							95
100	64.6	378.8	17,500*	70.2	384.8	18,300*				100
105	62.9	376.2	17,300*	68.6	382.9	18,100*				105
110	61.1	373.5	16,700*	67.0	380.7	17,900*				110
115	59.4	370.5	16,100*	65.3	378.4	17,800*				115
120	57.6	367.3	15,600*	63.7	375.9	17,600*				120
125	55.8	363.9	15,100*	62.0	373.2	17,300*				125
130	53.9	360.3	14,600*	60.2	370.4	16,700*				130
135	52.0	356.3	14,200*	58.5	367.3	16,100*				135
140	50.1	352.2	13,800*	56.7	364.0	15,600*				140
145	48.1	347.7	13,400*	54.8	360.5	15,100*				145
150	46.0	342.8	13,000*	53.0	356.7	14,600*				150
155	43.8	337.7	12,700*	51.0	352.6	14,200*				155
160	41.6	332.0	12,400*	49.0	348.3	13,800*				160
165	39.2	326.0	12,100*	47.0	343.6	13,400*				165
170	36.7	319.3	11,800*	44.9	338.6	13,100*				170
175	34.0	312.0	11,500*	42.7	333.2	12,700*				175
180	31.2	303.9	11,300*	40.3	327.3	12,400*				180
185	28.1	294.7	11,100*	37.9	321.0	12,100*	56.3	352.2	10,900	185
190	24.5	284.1	10,800*	35.3	314.0	11,800*	54.4	348.6	10,300	190
195	20.4	271.5	10,700*	32.6	306.3	11,600*	52.5	344.7	9,800	195
200	15.3	255.0	10,500*	29.6	297.7	11,300*	50.6	340.6	9,300	200
205	6.6	226.4	10,400*	26.3	287.8	11,100*	48.6	336.2	8,900	205
210				22.5	276.3	10,900*	46.5	331.5	8,400	210
220				11.6	241.5	10,500*	42.2	320.9	7,600	220
230							37.4	308.4	6,800	230
240							31.9	293.4	6,100	240
250							25.5	274.4	5,400	250
260							16.8	247.1	4,800	260

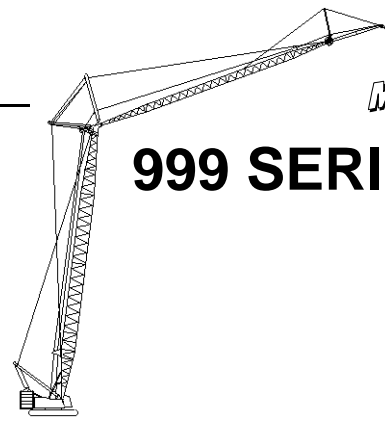


Liftcrane Fixed Jib Capacities

999 SERIES 3

New York City Code
 Fixed Jib No. 138 At
 3 Degree Offset Angle On
 Luffing Jib No. 135 On
 Boom No. 82 or 22EL
 219,600 Lb. Crane Counterweight
 80,000 Lb. Carbody Counterweight
 360 Degree Rating

Designed And Tested
 With The Intent To
 Be In The Scope of
 ANSI B30.5



200 Ft. Boom, 150 Ft. Luffing Jib, 50 Ft. Fixed Jib

Fixed Jib Oper. Rad. Feet	88 Degree Boom Angle			83 Degree Boom Angle			70 Degree Boom Angle			Fixed Jib Oper. Rad. Feet
	Luffing Jib Angle Degrees	Fixed Jib Point Elev. Feet	Fixed Jib Capacity Pounds	Luffing Jib Angle Degrees	Fixed Jib Point Elev. Feet	Fixed Jib Capacity Pounds	Luffing Jib Angle Degrees	Fixed Jib Point Elev. Feet	Fixed Jib Capacity Pounds	
70	75.1	401.1	18,500*							70
75	73.6	399.6	18,200*							75
80	72.1	398.0	18,000*							80
85	70.5	396.2	17,800*							85
90	69.0	394.3	17,600*							90
95	67.5	392.2	17,400*							95
100	65.9	389.9	17,200*							100
105	64.3	387.5	17,000*	69.7	393.6	17,800*				105
110	62.7	384.9	16,400*	68.2	391.6	17,600*				110
115	61.1	382.1	15,900*	66.7	389.4	17,300*				115
120	59.4	379.2	15,300*	65.1	387.1	17,100*				120
125	57.7	376.0	14,900*	63.5	384.6	16,800*				125
130	56.0	372.6	14,400*	61.9	381.9	16,400*				130
135	54.3	369.0	14,000*	60.2	379.0	15,900*				135
140	52.5	365.2	13,600*	58.6	376.0	15,300*				140
145	50.6	361.0	13,200*	56.8	372.7	14,900*				145
150	48.7	356.7	12,800*	55.1	369.2	14,400*				150
155	46.8	352.0	12,500*	53.3	365.4	14,000*				155
160	44.7	346.9	12,200*	51.5	361.5	13,600*				160
165	42.6	341.5	11,900*	49.6	357.2	13,200*				165
170	40.5	335.7	11,600*	47.7	352.7	12,900*				170
175	38.2	329.4	11,400*	45.7	347.8	12,500*				175
180	35.7	322.5	11,100*	43.7	342.6	12,200*				180
185	33.1	314.9	10,900*	41.5	336.9	11,900*				185
190	30.4	306.5	10,700*	39.3	330.9	11,600*	56.5	360.9	10,100	190
195	27.3	297.1	10,500*	36.9	324.3	11,400*	54.7	357.3	9,600	195
200	23.9	286.2	10,300*	34.4	317.0	11,100*	52.9	353.5	9,100	200
205	19.9	273.1	10,100*	31.7	309.1	10,900*	51.1	349.5	8,700	205
210	14.9	256.2	10,000*	28.8	300.2	10,700*	49.2	345.2	8,200	210
220				21.9	278.1	10,300*	45.3	335.6	7,400	220
230				11.3	242.4	10,000*	41.0	324.6	6,600	230
240							36.4	311.7	5,900	240
250							31.1	296.2	5,300	250
260							24.8	276.5	4,700	260
270							16.3	248.5	4,100	270

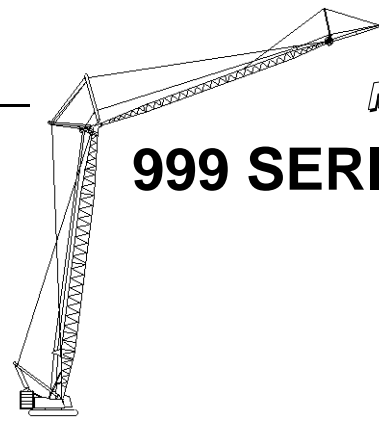


Liftcrane Fixed Jib Capacities

999 SERIES 3

New York City Code
 Fixed Jib No. 138 At
 3 Degree Offset Angle On
 Luffing Jib No. 135 On
 Boom No. 82 or 22EL
 219,600 Lb. Crane Counterweight
 80,000 Lb. Carbody Counterweight
 360 Degree Rating

Designed And Tested
 With The Intent To
 Be In The Scope of
 ANSI B30.5



200 Ft. Boom, 160 Ft. Luffing Jib, 50 Ft. Fixed Jib

Fixed Jib Oper. Rad. Feet	88 Degree Boom Angle			83 Degree Boom Angle			70 Degree Boom Angle			Fixed Jib Oper. Rad. Feet
	Luffing Jib Angle Degrees	Fixed Jib Point Elev. Feet	Fixed Jib Capacity Pounds	Luffing Jib Angle Degrees	Fixed Jib Point Elev. Feet	Fixed Jib Capacity Pounds	Luffing Jib Angle Degrees	Fixed Jib Point Elev. Feet	Fixed Jib Capacity Pounds	
70	75.8	411.5	18,000*							70
75	74.4	410.1	17,700*							75
80	72.9	408.5	17,500*							80
85	71.5	406.8	17,300*							85
90	70.1	405.0	17,000*							90
95	68.6	403.0	16,800*							95
100	67.1	400.9	16,600*							100
105	65.6	398.6	16,400*	70.8	404.3	16,600*				105
110	64.1	396.2	16,100*	69.3	402.4	16,500*				110
115	62.6	393.6	15,600*	67.8	400.4	16,300*				115
120	61.0	390.8	15,100*	66.3	398.1	16,100*				120
125	59.5	387.8	14,600*	64.8	395.8	15,900*				125
130	57.9	384.7	14,200*	63.3	393.3	15,700*				130
135	56.2	381.3	13,800*	61.8	390.6	15,500*				135
140	54.5	377.7	13,400*	60.2	387.7	15,100*				140
145	52.8	373.9	13,000*	58.6	384.6	14,600*				145
150	51.1	369.9	12,700*	57.0	381.4	14,200*				150
155	49.3	365.6	12,300*	55.3	377.9	13,800*				155
160	47.5	361.0	12,000*	53.7	374.2	13,400*				160
165	45.6	356.1	11,700*	51.9	370.3	13,000*				165
170	43.6	350.9	11,500*	50.2	366.1	12,700*				170
175	41.6	345.3	11,200*	48.3	361.7	12,300*				175
180	39.4	339.2	11,000*	46.5	356.9	12,000*				180
185	37.2	332.7	10,700*	44.5	351.9	11,800*				185
190	34.8	325.6	10,500*	42.5	346.4	11,500*				190
195	32.3	317.8	10,300*	40.4	340.6	11,200*	56.6	369.6	9,100	195
200	29.6	309.1	10,100*	38.3	334.3	11,000*	55.0	366.0	8,600	200
205	26.6	299.4	10,000*	36.0	327.5	10,800*	53.3	362.3	8,100	205
210	23.3	288.2	9,800*	33.5	320.0	10,600*	51.6	358.3	7,700	210
220	14.5	257.4	9,200*	28.1	302.6	10,200*	47.9	349.6	6,900	220
230				21.3	279.9	9,800*	44.1	339.6	6,100	230
240				11.0	243.3	9,600*	40.0	328.2	5,400	240
250							35.4	314.8	4,800	250
260							30.3	298.8	4,200	260

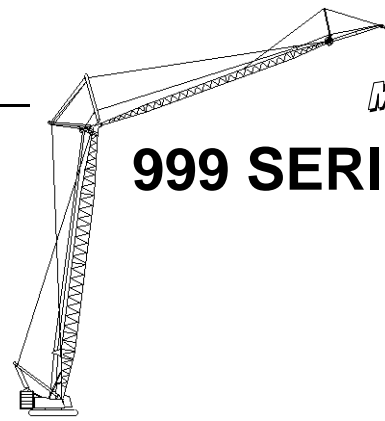


Liftcrane Fixed Jib Capacities

999 SERIES 3

New York City Code
Fixed Jib No. 138 At
3 Degree Offset Angle On
Luffing Jib No. 135 On
Boom No. 82 or 22EL
219,600 Lb. Crane Counterweight
80,000 Lb. Carbody Counterweight
360 Degree Rating

Designed And Tested
With The Intent To
Be In The Scope of
ANSI B30.5



200 Ft. Boom, 170 Ft. Luffing Jib, 50 Ft. Fixed Jib

Fixed Jib Oper. Rad. Feet	88 Degree Boom Angle			83 Degree Boom Angle			70 Degree Boom Angle			Fixed Jib Oper. Rad. Feet
	Luffing Jib Angle Degrees	Fixed Jib Point Elev. Feet	Fixed Jib Capacity Pounds	Luffing Jib Angle Degrees	Fixed Jib Point Elev. Feet	Fixed Jib Capacity Pounds	Luffing Jib Angle Degrees	Fixed Jib Point Elev. Feet	Fixed Jib Capacity Pounds	
75	75.1	420.5	16,500*							75
80	73.7	419.0	16,300*							80
85	72.4	417.4	16,100*							85
90	71.0	415.7	15,900*							90
95	69.6	413.8	15,700*							95
100	68.2	411.8	15,600*							100
105	66.8	409.6	15,300*							105
110	65.4	407.3	15,100*	70.3	413.1	15,300*				110
115	63.9	404.8	14,900*	68.9	411.2	15,100*				115
120	62.5	402.2	14,700*	67.5	409.1	15,000*				120
125	61.0	399.4	14,300*	66.1	406.9	14,800*				125
130	59.5	396.5	13,900*	64.6	404.5	14,700*				130
135	58.0	393.3	13,500*	63.2	401.9	14,600*				135
140	56.4	390.0	13,100*	61.7	399.2	14,400*				140
145	54.8	386.5	12,700*	60.2	396.3	14,300*				145
150	53.2	382.7	12,400*	58.7	393.3	13,900*				150
155	51.5	378.7	12,100*	57.1	390.0	13,500*				155
160	49.8	374.5	11,800*	55.6	386.6	13,100*				160
165	48.1	370.0	11,500*	54.0	383.0	12,800*				165
170	46.3	365.3	11,300*	52.3	379.1	12,400*				170
175	44.4	360.2	11,000*	50.6	375.0	12,100*				175
180	42.5	354.7	10,800*	48.9	370.6	11,800*				180
185	40.5	348.9	10,500*	47.2	366.0	11,500*				185
190	38.5	342.7	10,300*	45.3	361.1	11,300*				190
195	36.3	335.9	10,100*	43.4	355.8	11,000*				195
200	34.0	328.6	10,000*	41.5	350.2	10,800*	56.8	378.3	8,200	200
205	31.5	320.5	9,800*	39.5	344.1	10,600*	55.2	374.8	7,700	205
210	28.9	311.6	9,600*	37.3	337.6	10,400*	53.6	371.1	7,300	210
220	22.7	290.1	9,000*	32.7	322.9	10,000*	50.3	363.0	6,500	220
230	14.1	258.6	8,500*	27.4	305.0	9,600*	46.8	353.9	5,700	230
240				20.8	281.7	9,300*	43.0	343.5	5,000	240
250				10.7	244.2	9,100*	39.0	331.7	4,400	250

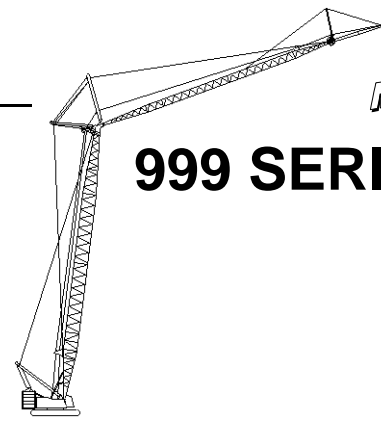


Liftcrane Fixed Jib Capacities

999 SERIES 3

New York City Code
 Fixed Jib No. 138 At
 3 Degree Offset Angle On
 Luffing Jib No. 135 On
 Boom No. 82 or 22EL
 219,600 Lb. Crane Counterweight
 80,000 Lb. Carbody Counterweight
 360 Degree Rating

Designed And Tested
 With The Intent To
 Be In The Scope of
 ANSI B30.5



200 Ft. Boom, 140 Ft. Luffing Jib, 60 Ft. Fixed Jib

Fixed Jib Oper. Rad. Feet	88 Degree Boom Angle			83 Degree Boom Angle			70 Degree Boom Angle			Fixed Jib Oper. Rad. Feet
	Luffing Jib Angle Degrees	Fixed Jib Point Elev. Feet	Fixed Jib Capacity Pounds	Luffing Jib Angle Degrees	Fixed Jib Point Elev. Feet	Fixed Jib Capacity Pounds	Luffing Jib Angle Degrees	Fixed Jib Point Elev. Feet	Fixed Jib Capacity Pounds	
70	74.9	401.2	15,900*							70
75	73.4	399.7	15,600*							75
80	71.9	398.0	15,300*							80
85	70.4	396.2	15,000*							85
90	68.8	394.3	14,700*							90
95	67.3	392.2	14,400*							95
100	65.7	390.0	14,100*							100
105	64.1	387.5	13,900*	69.6	393.7	14,600*				105
110	62.5	384.9	13,600*	68.0	391.7	14,300*				110
115	60.9	382.2	13,300*	66.5	389.5	14,100*				115
120	59.2	379.2	13,100*	64.9	387.1	13,800*				120
125	57.6	376.0	12,800*	63.3	384.6	13,600*				125
130	55.8	372.7	12,800*	61.7	381.9	13,300*				130
135	54.1	369.1	12,400*	60.0	379.1	13,100*				135
140	52.3	365.2	12,200*	58.4	376.0	12,900*				140
145	50.4	361.1	12,000*	56.7	372.7	12,700*				145
150	48.5	356.7	11,600*	54.9	369.2	12,500*				150
155	46.6	352.0	11,300*	53.1	365.5	12,300*				155
160	44.6	347.0	11,000*	51.3	361.5	12,100*				160
165	42.5	341.6	10,800*	49.4	357.3	11,900*				165
170	40.3	335.7	10,500*	47.5	352.7	11,700*				170
175	38.0	329.4	10,200*	45.5	347.9	11,400*				175
180	35.5	322.6	10,000*	43.5	342.6	11,100*				180
185	33.0	315.0	9,800*	41.3	337.0	10,800*	58.0	364.2	10,900	185
190	30.2	306.6	9,500*	39.1	330.9	10,500*	56.3	360.9	10,300	190
195	27.1	297.2	9,300*	36.7	324.3	10,300*	54.5	357.4	9,800	195
200	23.7	286.3	9,000*	34.2	317.1	10,000*	52.7	353.6	9,300	200
205	19.7	273.3	8,800*	31.5	309.2	9,800*	50.9	349.6	8,900	205
210	14.7	256.4	8,600*	28.6	300.3	9,600*	49.0	345.2	8,400	210
220				21.7	278.2	9,200*	45.1	335.7	7,600	220
230				11.2	242.7	8,800*	40.8	324.7	6,800	230
240							36.2	311.8	6,100	240
250							30.9	296.2	5,500	250
260							24.6	276.7	4,900	260
270							16.2	248.7	4,300	270

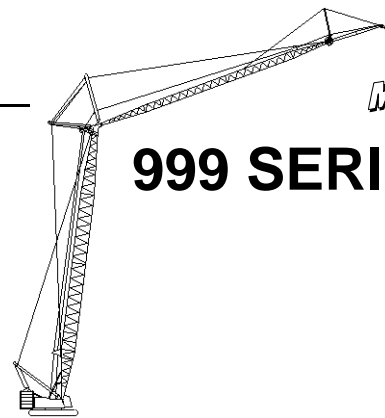


Liftcrane Fixed Jib Capacities

999 SERIES 3

New York City Code
Fixed Jib No. 138 At
3 Degree Offset Angle On
Luffing Jib No. 135 On
Boom No. 82 or 22EL
219,600 Lb. Crane Counterweight
80,000 Lb. Carbody Counterweight
360 Degree Rating

Designed And Tested
With The Intent To
Be In The Scope of
ANSI B30.5



200 Ft. Boom, 150 Ft. Luffing Jib, 60 Ft. Fixed Jib

Fixed Jib Oper. Rad. Feet	88 Degree Boom Angle			83 Degree Boom Angle			70 Degree Boom Angle			Fixed Jib Oper. Rad. Feet
	Luffing Jib Angle Degrees	Fixed Jib Point Elev. Feet	Fixed Jib Capacity Pounds	Luffing Jib Angle Degrees	Fixed Jib Point Elev. Feet	Fixed Jib Capacity Pounds	Luffing Jib Angle Degrees	Fixed Jib Point Elev. Feet	Fixed Jib Capacity Pounds	
70	75.6	411.5	15,300*							70
75	74.2	410.1	15,100*							75
80	72.8	408.6	14,800*							80
85	71.3	406.9	14,600*							85
90	69.9	405.0	14,300*							90
95	68.4	403.1	14,000*							95
100	66.9	400.9	13,700*							100
105	65.5	398.7	13,500*	70.6	404.4	14,100*				105
110	63.9	396.2	13,200*	69.1	402.5	13,900*				110
115	62.4	393.6	13,000*	67.6	400.4	13,600*				115
120	60.9	390.8	12,800*	66.2	398.2	13,400*				120
125	59.3	387.9	12,500*	64.7	395.8	13,200*				125
130	57.7	384.7	12,300*	63.1	393.3	12,900*				130
135	56.0	381.4	12,100*	61.6	390.6	12,700*				135
140	54.4	377.8	12,000*	60.0	387.7	12,500*				140
145	52.7	374.0	11,800*	58.4	384.7	12,300*				145
150	50.9	370.0	11,500*	56.8	381.4	12,200*				150
155	49.1	365.7	11,200*	55.2	378.0	12,000*				155
160	47.3	361.1	10,900*	53.5	374.3	11,800*				160
165	45.4	356.2	10,600*	51.8	370.3	11,600*				165
170	43.4	351.0	10,300*	50.0	366.2	11,500*				170
175	41.4	345.3	10,100*	48.2	361.7	11,200*				175
180	39.2	339.3	9,800*	46.3	357.0	10,900*				180
185	37.0	332.8	9,600*	44.4	351.9	10,600*				185
190	34.6	325.6	9,400*	42.4	346.5	10,300*				190
195	32.1	317.9	9,200*	40.3	340.7	10,100*	56.5	369.6	9,600	195
200	29.4	309.2	9,000*	38.1	334.4	9,900*	54.8	366.1	9,100	200
205	26.5	299.5	8,800*	35.8	327.5	9,600*	53.1	362.4	8,600	205
210	23.1	288.3	8,700*	33.4	320.1	9,400*	51.4	358.4	8,200	210
220	14.3	257.6	8,400*	27.9	302.7	9,000*	47.8	349.7	7,400	220
230				21.2	280.1	8,700*	43.9	339.7	6,600	230
240				10.9	243.6	8,400*	39.8	328.3	6,000	240
250							35.3	314.9	5,300	250
260							30.1	298.9	4,700	260
270							24.0	278.7	4,200	270

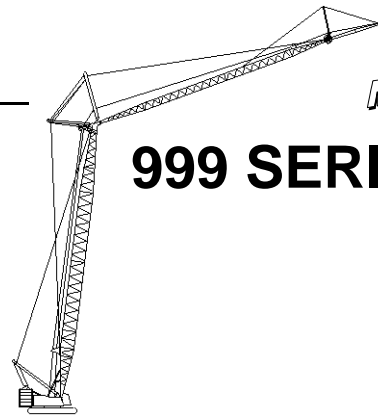


Liftcrane Fixed Jib Capacities

999 SERIES 3

New York City Code
 Fixed Jib No. 138 At
 3 Degree Offset Angle On
 Luffing Jib No. 135 On
 Boom No. 82 or 22EL
 219,600 Lb. Crane Counterweight
 80,000 Lb. Carbody Counterweight
 360 Degree Rating

Designed And Tested
 With The Intent To
 Be In The Scope of
 ANSI B30.5



200 Ft. Boom, 160 Ft. Luffing Jib, 60 Ft. Fixed Jib

Fixed Jib Oper. Rad. Feet	88 Degree Boom Angle			83 Degree Boom Angle			70 Degree Boom Angle			Fixed Jib Oper. Rad. Feet
	Luffing Jib Angle Degrees	Fixed Jib Point Elev. Feet	Fixed Jib Capacity Pounds	Luffing Jib Angle Degrees	Fixed Jib Point Elev. Feet	Fixed Jib Capacity Pounds	Luffing Jib Angle Degrees	Fixed Jib Point Elev. Feet	Fixed Jib Capacity Pounds	
75	74.9	420.5	14,400*							75
80	73.6	419.0	14,200*							80
85	72.2	417.4	13,900*							85
90	70.8	415.7	13,700*							90
95	69.4	413.8	13,500*							95
100	68.0	411.8	13,300*							100
105	66.6	409.7	13,100*							105
110	65.2	407.4	12,800*	70.1	413.2	13,300*				110
115	63.8	404.9	12,500*	68.7	411.2	13,100*				115
120	62.3	402.3	12,400*	67.3	409.1	12,900*				120
125	60.8	399.5	12,100*	65.9	406.9	12,600*				125
130	59.3	396.5	12,000*	64.5	404.5	12,500*				130
135	57.8	393.4	11,800*	63.0	402.0	12,300*				135
140	56.2	390.1	11,600*	61.5	399.3	12,100*				140
145	54.6	386.5	11,400*	60.0	396.4	11,900*				145
150	53.0	382.8	11,300*	58.5	393.3	11,800*				150
155	51.4	378.8	11,000*	57.0	390.1	11,600*				155
160	49.7	374.6	10,700*	55.4	386.7	11,400*				160
165	47.9	370.1	10,500*	53.8	383.0	11,300*				165
170	46.1	365.3	10,200*	52.1	379.2	11,200*				170
175	44.3	360.2	10,000*	50.5	375.1	11,000*				175
180	42.4	354.8	9,700*	48.8	370.7	10,800*				180
185	40.4	349.0	9,500*	47.0	366.1	10,500*				185
190	38.3	342.7	9,300*	45.2	361.1	10,200*				190
195	36.1	336.0	9,100*	43.3	355.9	10,000*				195
200	33.8	328.7	8,900*	41.3	350.2	9,700*	56.6	378.3	8,600	200
205	31.4	320.6	8,700*	39.3	344.2	9,500*	55.0	374.8	8,100	205
210	28.7	311.7	8,600*	37.2	337.7	9,300*	53.4	371.1	7,700	210
220	22.6	290.3	8,300*	32.6	323.0	8,900*	50.1	363.1	6,900	220
230	14.0	258.7	8,000*	27.2	305.1	8,600*	46.6	354.0	6,100	230
240				20.7	281.9	8,300*	42.9	343.6	5,400	240
250				10.6	244.4	8,000*	38.8	331.8	4,800	250
260							34.4	318.0	4,200	260

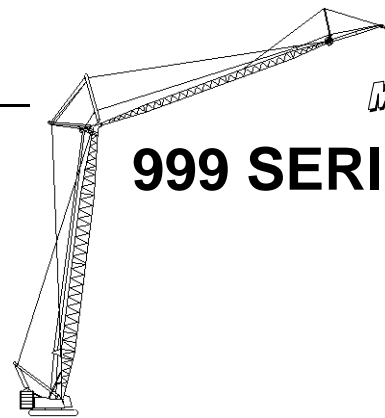


Liftcrane Fixed Jib Capacities

999 SERIES 3

New York City Code
Fixed Jib No. 138 At
3 Degree Offset Angle On
Luffing Jib No. 135 On
Boom No. 82 or 22EL
219,600 Lb. Crane Counterweight
80,000 Lb. Carbody Counterweight
360 Degree Rating

Designed And Tested
With The Intent To
Be In The Scope of
ANSI B30.5



200 Ft. Boom, 170 Ft. Luffing Jib, 60 Ft. Fixed Jib

Fixed Jib Oper. Rad. Feet	88 Degree Boom Angle			83 Degree Boom Angle			70 Degree Boom Angle			Fixed Jib Oper. Rad. Feet
	Luffing Jib Angle Degrees	Fixed Jib Point Elev. Feet	Fixed Jib Capacity Pounds	Luffing Jib Angle Degrees	Fixed Jib Point Elev. Feet	Fixed Jib Capacity Pounds	Luffing Jib Angle Degrees	Fixed Jib Point Elev. Feet	Fixed Jib Capacity Pounds	
75	75.6	430.9	13,700*							75
80	74.3	429.5	13,500*							80
85	73.0	428.0	13,300*							85
90	71.7	426.3	13,100*							90
95	70.4	424.5	12,800*							95
100	69.0	422.6	12,700*							100
105	67.7	420.6	12,500*							105
110	66.4	418.4	12,200*	71.0	423.8	12,600*				110
115	65.0	416.0	12,000*	69.7	422.0	12,500*				115
120	63.6	413.6	11,900*	68.3	420.0	12,300*				120
125	62.2	410.9	11,700*	67.0	417.9	12,100*				125
130	60.8	408.1	11,500*	65.6	415.6	11,900*				130
135	59.3	405.2	11,300*	64.3	413.2	11,800*				135
140	57.9	402.1	11,200*	62.9	410.6	11,600*				140
145	56.4	398.8	11,000*	61.5	407.9	11,500*				145
150	54.9	395.2	10,900*	60.0	405.1	11,300*				150
155	53.3	391.5	10,700*	58.6	402.0	11,200*				155
160	51.8	387.6	10,500*	57.1	398.8	11,000*				160
165	50.1	383.5	10,300*	55.6	395.4	10,900*				165
170	48.5	379.1	10,000*	54.1	391.8	10,800*				170
175	46.8	374.4	9,800*	52.5	387.9	10,700*				175
180	45.0	369.5	9,600*	50.9	383.9	10,500*				180
185	43.2	364.2	9,300*	49.3	379.6	10,300*				185
190	41.4	358.6	9,100*	47.6	375.1	10,000*				190
195	39.4	352.6	8,900*	45.9	370.3	9,800*				195
200	37.4	346.1	8,800*	44.1	365.2	9,600*				200
205	35.3	339.1	8,600*	42.3	359.7	9,300*	56.8	387.0	7,700	205
210	33.0	331.6	8,400*	40.4	353.9	9,100*	55.3	383.5	7,300	210
220	28.1	314.2	8,100*	36.3	341.0	8,800*	52.2	376.0	6,500	220
230	22.1	292.2	7,800*	31.8	325.8	8,400*	48.9	367.6	5,700	230
240	13.7	259.9	7,600*	26.6	307.4	8,100*	45.5	358.1	5,100	240
250				20.2	283.6	7,900*	41.9	347.4	4,400	250
260				10.4	245.3	7,600*				260