


Clamshell/Grapple Capacities

Boom No. B10:500
75 200 kg VPC (Variable Position Counterweight)
Crawler Machine on a Barge
0 Degree thru 1 Degree and
1 Degree thru 3 Degree Static Machine List
No Travel - 360 Degree Rating

MLC300 SERIES 0


 **LIFTING CAPACITIES:** Lifting capacities are for a crawler machine when operating on a barge. Machine shall be positively secured to prevent shifting. Lifting capacities for various boom lengths and operating radii are for freely suspended loads and may be based on percent of static tipping or strength of structural components. Capacities must be reduced by applicable deducts.


Weight of bucket is considered part of load. Where no capacity is shown, operation is not intended or approved.

Clamshell/grapple capacities shown are intended for limited duration applications. Continuous operation at these capacities may reduce component life.

OPERATING CONDITIONS: Machine to operate on a firm and uniformly supporting surface with machine list not to exceed degrees noted. Refer to Boom Rigging No. 81023380, Wire Rope Specification chart No. 9572-A, and Counterweight Arrangement No. 9345-A. Crane operator judgment must be used to allow for dynamic load effects of swinging, hoisting or lowering, wind conditions, as well as adverse operating conditions and physical machine depreciation. Refer to the Operator Manual for operating guidelines.

WIND CONDITIONS: Machine may be operated in winds up to 16 m/s provided crane operator judgment is used to allow for wind effect on lifted load and other considerations noted on capacity chart are followed. Wind speed to be measured at boom point elevation. **Operation is not permitted when wind is above 16 m/s.** Park crane with bucket on barge deck or secured and position boom at 50 degrees. Lower boom onto blocking at barge deck level when wind is above 22 m/s.

 **OPERATING RADIUS:** Operating radius is horizontal distance from axis of rotation at barge deck to center of vertical hoist line or load block.

 **BOOM ANGLE:** Boom angle in degrees (°) is angle between horizontal and centerline of boom butt and inserts, and is an indication of operating radius. In all cases, operating radius shall govern capacity.


MACHINE EQUIPMENT: Machine equipped with 9 700 mm crawlers, 1 219 mm or 1 524 mm treads, 9 144 mm live mast, 24 part boom hoist reeving, boom support straps, and 75 200 kg VPC.


Warning: Free fall operation is limited to 8 300 kg per part of line when lowering load with free fall clutch/brake pedal. Hydraulic power must be used for full line pull. *Structural damage can occur.*

Warning: Luffing jib backstay straps must be removed before use of this chart. *Crane tipping or structural damage can occur.*

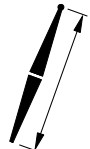
Raising Ability Over End or Side of Crawlers	
Boom Length (m)	Bucket Weight (kg)
30,0	10 300
36,0	10 300
42,0	10 300
Bucket weight includes the weight of all blocks, hooks, bucket, weight balls, slings and hoist lines beneath lower and/or upper boom point sheaves.	

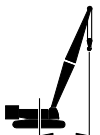
Explanation of Symbols


B10:500  Boom No. B10:500

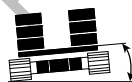
 VPC (Variable Position Counterweight)


 360 Degree Rating

 Boom Length

 Operating Radius
(see page 1)


 Boom Angle
(see page 1)

 Machine List

 Lifting Capacities
(see page 1)




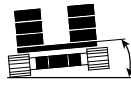
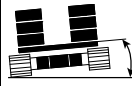
MLC300 S-0




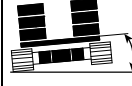



B10:500 

 75 200 kg


360°


 30,0 m			
 m	 °	 0° - 1° kg	 1° - 3° kg
16,8	61,6	20 000	
17,0	61,0	20 000	
18,0	58,8	20 000	
19,0	56,5	20 000	20 000
20,0	54,1	20 000	20 000
22,0	49,0	20 000	20 000
24,0	43,6	20 000	18 900

 36,0 m			
 m	 °	 0° - 1° kg	 1° - 3° kg
19,8	61,2	20 000	20 000
20,0	60,9	20 000	20 000
22,0	57,1	20 000	20 000
24,0	53,1	20 000	19 100
26,0	48,9	19 900	17 300
28,0	44,4	18 700	15 600
30,0	39,5	17 300	14 100

REFERENCE


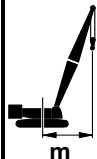

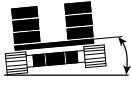
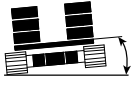
MLC300 S-0



B10:500 

 75 200 kg



 <p>42,0 m</p>			
			
m	o	kg	kg
21,3	63,3	20 000	
22,0	62,3	20 000	
24,0	59,1	20 000	19 300
26,0	55,8	19 900	17 500
28,0	52,4	18 900	15 800
30,0	48,8	17 400	14 300
32,0	45,0	16 100	13 000
34,0	40,9	14 400	11 900
36,0	36,3	12 800	10 900

REFERENCE ONLY!