

# Liftcrane Boom Butt Handling Capacities

## Operating Limits for Crane Assembly Drum 2 only

**HANDLING CAPACITIES:** Handling capacities are for crane self-assembly using boom butt guide sheave. Weight of weight ball, slings, hoist lines, etc., beneath boom butt guide sheave is considered part of load. Where no capacity is shown, operation is not intended or approved.

**OPERATING CONDITIONS:** Machine to operate on firm, level and uniformly supporting surface. Crane operator judgment must be used to allow for dynamic load effects of swinging, hoisting or lowering, travel, wind conditions, as well as adverse operating conditions and physical machine depreciation. Refer to the Operator Manual for operating guidelines.

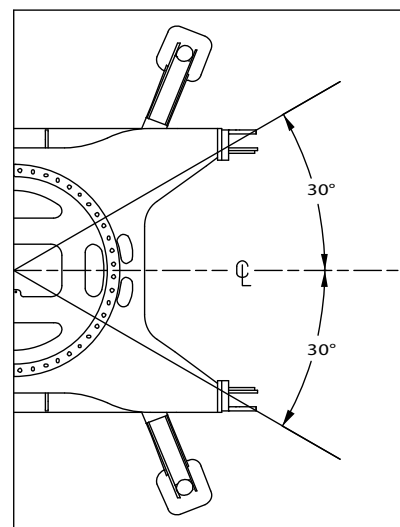
**MACHINE EQUIPMENT:** Machine equipped with 5 300 mm gantry, load drums 1 and 2, 10 part boom hoist reeving, and equalizer pinned to boom butt.

Crane on 2 or 4 jacks must be equipped with 0 kg crane counterweight and 0 kg carbody counterweight.

Crane equipped with 7 980 mm crawlers and 1 200 mm treads must be equipped with 0 kg crane counterweight and 0 kg carbody counterweight; 0 kg crane counterweight and 15 880 kg carbody counterweight; 26 090 kg crane counterweight and 0 kg carbody counterweight; 34 110 kg crane counterweight and 0 kg carbody counterweight; or 50 120 kg crane counterweight and 15 880 kg carbody counterweight.

**OPERATING RADIUS:** Operating radius is horizontal distance from axis of rotation to center of vertical hoist line. Boom angle in degrees (°) is angle between horizontal and centerline of boom butt, and is an indication of operating radius. In all cases, operating radius shall govern capacity.

6,8 m BOOM				
Operating Radius	Boom Angle	Crane on 4 Jacks	Crane on 2 Jacks	Crane on Crawlers
Meters	Degrees	Kilograms	Kilograms	Kilograms
2,7	85,9	19 000	19 000	19 000
3,0	83,0	19 000	19 000	19 000
3,5	77,9	19 000	19 000	19 000
4,0	72,7	19 000	19 000	19 000
4,5	67,2	19 000	19 000	19 000
5,0	61,4	17 200	19 000	19 000
5,5	55,0	14 600	18 700	19 000
6,0	47,9	12 600	17 300	19 000
6,5	39,5	11 000	16 100	19 000
6,7	35,5	10 400	15 600	19 000



### Operating Restrictions on Jacks (four jacks, no crawlers)

2,7 m to 6,7 m operating radius —  
360 degree swing permitted for handling loads.

### Operating Restrictions on Jacks with One Crawler Installed (four jacks, one crawler installed)

2,7 m to 6,7 m operating radius —  
30 degree swing either side of center permitted until crawler is set on ground for handling loads. Refer to swing diagram.

### Operating Restrictions on Jacks and One Crawler Down (two jacks with one crawler on ground)

2,7 m to 6,7 m operating radius —  
360 degree swing permitted for handling loads.

### Operating Restrictions on Crawlers

2,7 m to 6,7 m operating radius —  
360 degree swing permitted for handling loads.