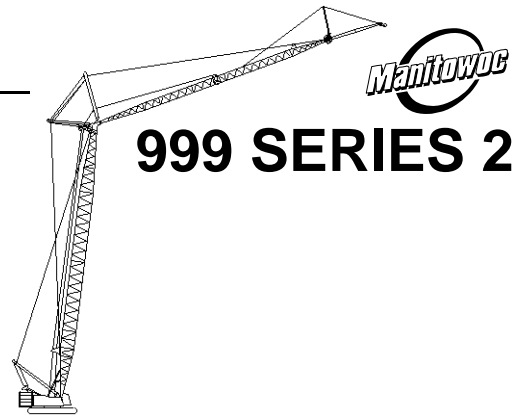


Liftcrane Luffing Jib Intermediate Fall Capacities

**Fixed Jib No. 134 At
5 Degree Offset Angle On
Luffing Jib No. 149 On
Boom No. 82
83 730 kg Crane Counterweight
19 960 kg Carbody Counterweight
360 Degree Rating**

**Designed And Tested
With The Intent To Be In
The Scope of ANSI B30.5**



LIFTING CAPACITIES: Lifting capacities for various boom lengths, boom angles, luffing jib lengths, fixed jib lengths and intermediate fall operating radii are for freely suspended loads and do not exceed 75% of a static tipping load. Capacities based on structural competence are denoted by an asterisk (*).

Consult Luffing Jib Raising Procedure chart **No. 8422-B** for Maximum Number of Lower Boom Point Sheaves (Layout Jack-Knife Method table, column A).

Weight of all load blocks, hooks, weight ball, slings, hoist lines, etc., beneath intermediate fall is considered part of intermediate fall load. 1 770 kg suspended beneath luffing jib point sheaves has been included in capacity determination. Fixed jib weight and 1 220 kg suspended beneath fixed jib point also included in capacity determination. Boom and luffing jib are not to be lowered beyond radii where combined weights are greater than rated capacity. Where no capacity is shown, operation is not intended or approved.

OPERATING CONDITIONS: Machine to operate on a firm uniformly supporting surface with gantry up and bearing turntable level within a tolerance of 13 mm in 3m and properly supported. During operation, boom must be maintained at one of the selected angles shown in chart. Refer to fixed jib assembly **No. 196404**, luffing jib assembly **No. A01031**, Wire Rope Specification chart **No. 8357-A** and Luffing Jib Raising Procedure chart **No. 8422-B**. Crane operator judgment must be used to allow for dynamic load effects of swinging, hoisting or lowering, travel, wind conditions, as well as adverse operating conditions and physical machine depreciation. Refer to operators manual for operating guidelines.

Boom Catwalks Deduct
Deduct 150 kg from capacities when boom catwalks are attached.

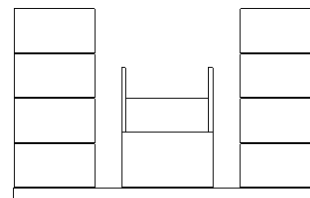
MACHINE TRAVEL: Machine to travel on a firm, level and uniformly supporting surface with boom and luffing jib within angle range shown in capacity chart. Refer to Maximum Allowable Travel Specification chart **No. 8360-B**.

OPERATING RADIUS: Operating radius is horizontal distance from axis of rotation to center of vertical hoist line or load block. Boom angle is angle between horizontal and centerline of boom butt and inserts. Luffing jib angle is angle between horizontal and centerline of luffing jib butt and inserts, and is an indication of operating radius. In all cases, operating radius shall govern capacity.

INTERMEDIATE FALL ELEVATION: Intermediate fall elevation is vertical distance from ground level to centerline of intermediate fall shaft.

MACHINE EQUIPMENT: Machine equipped with 8 585 mm crawlers, 1 219 mm treads, 3 124 mm retractable gantry, 9 144 mm live mast, 20 part boom hoist reeving, boom support straps, 9 part luffing jib hoist reeving, luffing jib straps, two 38 mm luffing jib backstay pendants, 83 730 kg crane counterweight and two 9 980 kg carbody counterweights.

Consult chart **No. 8416-AM** for luffing jib capacities. Consult chart **No. 8351-AM** for fixed jib on luffing jib capacities.



83 730 kg Crane Counterweight
8 Side Boxes - 1 Center Box

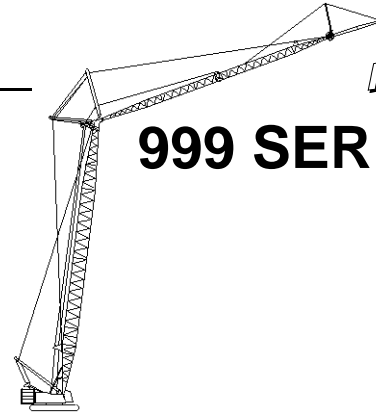


Liftcrane Luffing Jib Intermediate Fall Capacities

999 SERIES 2

Fixed Jib No. 134 At
5 Degree Offset Angle On
Luffing Jib No. 149 On
Boom No. 82
83 730 kg Crane Counterweight
19 960 kg Carbody Counterweight
360 Degree Rating

Designed And Tested
With The Intent To Be In
The Scope of ANSI B30.5



24.4m (80 Ft.) Boom, 51.8m (170 Ft.) Luffing Jib, 9.1m (30 Ft.) - 24.4m (80 Ft.) Fixed Jib

Int. Fall Oper. Rad. Meters	88 Degree Boom Angle			86 Degree Boom Angle			83 Degree Boom Angle			80 Degree Boom Angle			Int. Fall Oper. Rad. Meters
	Jib Angle Degrees	Intermediate Fall		Jib Angle Degrees	Intermediate Fall		Jib Angle Degrees	Intermediate Fall		Jib Angle Degrees	Intermediate Fall		
		Elev. Meters	Capacity Kilograms		Elev. Meters	Capacity Kilograms		Elev. Meters	Capacity Kilograms		Elev. Meters	Capacity Kilograms	
10.7	74.2	50.0	26 700*										10.7
11.0	73.3	49.9	25 800*										11.0
12.0	70.8	49.5	23 100*										12.0
13.0	68.3	49.1	20 300*	70.4	49.4	23 000*							13.0
14.0	65.7	48.7	17 700*	67.9	49.0	19 800*							14.0
15.0	63.0	48.2	15 700*	65.3	48.5	17 400*							15.0
16.0	60.3	47.6	14 000*	62.6	48.0	15 500*	66.0	48.5	18 200*				16.0
17.0	57.5	46.9	12 700*	59.9	47.4	13 900*	63.3	48.0	16 000*	66.7	48.4	18 700*	17.0
18.0	54.6	46.2	11 400*	57.1	46.8	12 500*	60.6	47.4	14 300*	64.0	47.9	16 600*	18.0
19.0	51.6	45.4	10 400*	54.2	46.1	11 300*	57.8	46.8	12 900*	61.3	47.4	14 700*	19.0
20.0	48.4	44.6	9 500*	51.1	45.2	10 300*	54.9	46.1	11 700*	58.6	46.7	13 200*	20.0
21.0	45.1	43.6	8 700*	48.0	44.3	9 400*	52.0	45.3	10 600*	55.7	46.1	12 000*	21.0
22.0	41.6	42.4	8 000*	44.6	43.3	8 600*	48.8	44.4	9 600*	52.7	45.3	10 900*	22.0
23.0	37.8	41.2	7 300*	41.0	42.2	7 900*	45.5	43.5	8 800*	49.6	44.4	9 900*	23.0
24.0	33.5	39.7	6 700*	37.1	40.9	7 200*	42.0	42.4	8 100*	46.4	43.5	9 100*	24.0
25.0	28.8	37.9	6 200*	32.9	39.4	6 700*	38.2	41.1	7 500*	42.9	42.4	8 300*	25.0
26.0				28.0	37.6	6 200*	34.1	39.7	6 900*	39.2	41.2	7 600*	26.0
27.0				22.1	35.3	5 700*	29.4	37.9	6 300*	35.2	39.8	7 000*	27.0
28.0							23.8	35.8	5 800*	30.6	38.2	6 500*	28.0
29.0										25.3	36.2	6 000*	29.0
30.0										18.6	33.5	5 600*	30.0



Liftcrane Luffing Jib Intermediate Fall Capacities



999 SERIES 2

Fixed Jib No. 134 At
5 Degree Offset Angle On
Luffing Jib No. 149 On
Boom No. 82
83 730 kg Crane Counterweight
19 960 kg Carbody Counterweight
360 Degree Rating

Designed And Tested
With The Intent To Be In
The Scope of ANSI B30.5

24.4m (80 Ft.) Boom, 54.9m (180 Ft.) Luffing Jib, 9.1m (30 Ft.) - 24.4m (80 Ft.) Fixed Jib

Int. Fall Oper. Rad. Meters	88 Degree Boom Angle			86 Degree Boom Angle			83 Degree Boom Angle			80 Degree Boom Angle			Int. Fall Oper. Rad. Meters
	Jib Angle Degrees	Intermediate Fall		Jib Angle Degrees	Intermediate Fall		Jib Angle Degrees	Intermediate Fall		Jib Angle Degrees	Intermediate Fall		
		Elev. Meters	Capacity Kilograms		Elev. Meters	Capacity Kilograms		Elev. Meters	Capacity Kilograms		Elev. Meters	Capacity Kilograms	
10.7	76.0	53.2	26 700*										10.7
11.0	75.2	53.1	26 700*										11.0
12.0	73.1	52.8	26 700*										12.0
13.0	70.8	52.4	24 900*										13.0
14.0	68.6	52.0	22 600*	70.5	52.3	25 100*							14.0
15.0	66.3	51.6	20 100*	68.2	51.9	22 200*							15.0
16.0	63.9	51.1	17 900*	65.9	51.4	19 700*	68.8	51.8	23 000*				16.0
17.0	61.5	50.5	16 200*	63.6	50.9	17 700*	66.5	51.4	20 300*				17.0
18.0	59.1	49.9	14 700*	61.2	50.4	16 000*	64.2	50.9	18 200*				18.0
19.0	56.6	49.3	13 400*	58.7	49.8	14 500*	61.8	50.4	16 400*	64.8	50.8	18 900*	19.0
20.0	54.0	48.5	12 200*	56.2	49.1	13 200*	59.4	49.8	15 000*	62.4	50.3	16 900*	20.0
21.0	51.3	47.7	11 200*	53.6	48.4	12 100*	56.9	49.1	13 600*	60.0	49.7	15 400*	21.0
22.0	48.5	46.9	10 300*	50.9	47.5	11 100*	54.3	48.4	12 400*	57.5	49.1	14 000*	22.0
23.0	45.6	45.9	9 500*	48.1	46.6	10 300*	51.6	47.6	11 400*	55.0	48.4	12 800*	23.0
24.0	42.5	44.8	8 800*	45.1	45.7	9 400*	48.8	46.7	10 500*	52.3	47.6	11 800*	24.0
25.0	39.2	43.6	8 200*	42.0	44.6	8 700*	45.9	45.8	9 700*	49.6	46.7	10 800*	25.0
26.0	35.6	42.2	7 600*	38.7	43.3	8 100*	42.8	44.7	9 000*	46.7	45.8	9 900*	26.0
27.0	31.7	40.6	7 000*	35.0	41.9	7 500*	39.6	43.5	8 300*	43.7	44.8	9 200*	27.0
28.0	27.2	38.8	6 500*	31.1	40.3	7 000*	36.0	42.2	7 700*	40.4	43.6	8 500*	28.0
29.0				26.5	38.4	6 500*	32.2	40.6	7 200*	37.0	42.3	7 900*	29.0
30.0				21.0	35.9	5 600*	27.8	38.8	6 700*	33.2	40.8	7 400*	30.0
31.0							22.6	36.5	5 900*	29.0	39.0	6 800*	31.0
32.0							15.7	33.4	4 700*	24.0	36.9	6 200*	32.0
33.0										17.8	34.1	5 100*	33.0

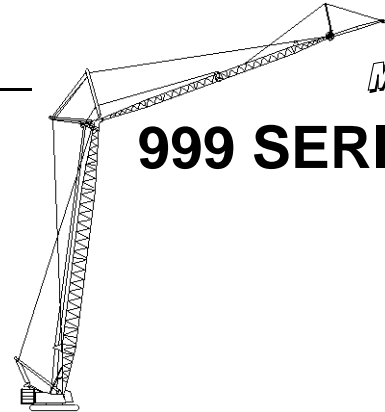


Liftcrane Luffing Jib Intermediate Fall Capacities

999 SERIES 2

Fixed Jib No. 134 At
5 Degree Offset Angle On
Luffing Jib No. 149 On
Boom No. 82
83 730 kg Crane Counterweight
19 960 kg Carbody Counterweight
360 Degree Rating

Designed And Tested
With The Intent To Be In
The Scope of ANSI B30.5

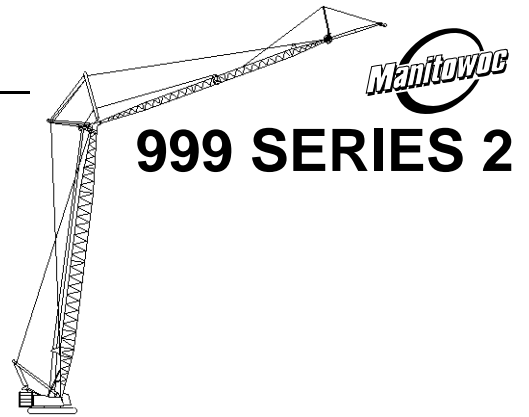


24.4m (80 Ft.) Boom, 57.9m (190 Ft.) Luffing Jib, 9.1m (30 Ft.) - 24.4m (80 Ft.) Fixed Jib

Int. Fall Oper. Rad. Meters	88 Degree Boom Angle			86 Degree Boom Angle			83 Degree Boom Angle			80 Degree Boom Angle			Int. Fall Oper. Rad. Meters		
	Jib Angle Degrees	Intermediate Fall		Jib Angle Degrees	Intermediate Fall		Jib Angle Degrees	Intermediate Fall		Jib Angle Degrees	Intermediate Fall				
		Elev. Meters	Capacity Kilograms		Elev. Meters	Capacity Kilograms		Elev. Meters	Capacity Kilograms		Elev. Meters	Capacity Kilograms			
10.7	74.2	50.0	26 600*										10.7		
11.0	73.3	49.9	25 300*										11.0		
12.0	70.8	49.5	21 600*										12.0		
13.0	68.3	49.1	18 600*	70.4	49.4	21 300*							13.0		
14.0	65.7	48.7	16 400*	67.9	49.0	18 300*							14.0		
15.0	63.0	48.2	14 500*	65.3	48.5	16 100*							15.0		
16.0	60.3	47.6	13 000*	62.6	48.0	14 300*	66.0	48.5	16 800*				16.0		
17.0	57.5	46.9	11 700*	59.9	47.4	12 800*	63.3	48.0	14 800*	66.7	48.4	17 400*	17.0		
18.0	54.6	46.2	10 600*	57.1	46.8	11 500*	60.6	47.4	13 200*	64.0	47.9	15 400*	18.0		
19.0	51.6	45.4	9 600*	54.2	46.1	10 400*	57.8	46.8	11 900*	61.3	47.4	13 600*	19.0		
20.0	48.4	44.6	8 700*	51.1	45.2	9 500*	54.9	46.1	10 800*	58.6	46.7	12 300*	20.0		
21.0	45.1	43.6	8 000*	48.0	44.3	8 600*	52.0	45.3	9 800*	55.7	46.1	11 100*	21.0		
22.0	41.6	42.4	7 300*	44.6	43.3	7 900*	48.8	44.4	8 900*	52.7	45.3	10 100*	22.0		
23.0	37.8	41.2	6 700*	41.0	42.2	7 300*	45.5	43.5	8 100*	49.6	44.4	9 200*	23.0		
24.0	33.5	39.7	6 200*	37.1	40.9	6 700*	42.0	42.4	7 500*	46.4	43.5	8 400*	24.0		
25.0	28.8	37.9	5 700*	32.9	39.4	6 200*	38.2	41.1	6 900*	42.9	42.4	7 700*	25.0		
26.0				28.0	37.6	5 600*	34.1	39.7	6 300*	39.2	41.2	7 100*	26.0		
27.0				22.1	35.3	4 800*	29.4	37.9	5 800*	35.2	39.8	6 500*	27.0		
28.0							23.8	35.8	5 100*	30.6	38.2	6 000*	28.0		
29.0												25.3	36.2	5 500*	29.0
30.0												18.6	33.5	4 300*	30.0



Liftcrane Luffing Jib Intermediate Fall Capacities



999 SERIES 2

Fixed Jib No. 134 At
5 Degree Offset Angle On
Luffing Jib No. 149 On
Boom No. 82
83 730 kg Crane Counterweight
19 960 kg Carbody Counterweight
360 Degree Rating

Designed And Tested
With The Intent To Be In
The Scope of ANSI B30.5

24.4m (80 Ft.) Boom, 61.0m (200 Ft.) Luffing Jib, 9.1m (30 Ft.) - 24.4m (80 Ft.) Fixed Jib

Int. Fall Oper. Rad. Meters	88 Degree Boom Angle			86 Degree Boom Angle			83 Degree Boom Angle			80 Degree Boom Angle			Int. Fall Oper. Rad. Meters
	Jib Angle Degrees	Intermediate Fall		Jib Angle Degrees	Intermediate Fall		Jib Angle Degrees	Intermediate Fall		Jib Angle Degrees	Intermediate Fall		
		Elev. Meters	Capacity Kilograms		Elev. Meters	Capacity Kilograms		Elev. Meters	Capacity Kilograms		Elev. Meters	Capacity Kilograms	
10.7	76.0	53.2	26 700*										10.7
11.0	75.2	53.1	26 600*										11.0
12.0	73.1	52.8	26 300*										12.0
13.0	70.8	52.4	24 300*										13.0
14.0	68.6	52.0	20 700*	70.5	52.3	23 200*							14.0
15.0	66.3	51.6	18 400*	68.2	51.9	20 500*							15.0
16.0	63.9	51.1	16 500*	65.9	51.4	18 100*	68.8	51.8	21 200*				16.0
17.0	61.5	50.5	14 900*	63.6	50.9	16 300*	66.5	51.4	18 800*				17.0
18.0	59.1	49.9	13 500*	61.2	50.4	14 700*	64.2	50.9	16 800*				18.0
19.0	56.6	49.3	12 300*	58.7	49.8	13 300*	61.8	50.4	15 200*	64.8	50.8	17 400*	19.0
20.0	54.0	48.5	11 200*	56.2	49.1	12 200*	59.4	49.8	13 800*	62.4	50.3	15 600*	20.0
21.0	51.3	47.7	10 300*	53.6	48.4	11 100*	56.9	49.1	12 500*	60.0	49.7	14 100*	21.0
22.0	48.5	46.9	9 500*	50.9	47.5	10 200*	54.3	48.4	11 500*	57.5	49.1	12 900*	22.0
23.0	45.6	45.9	8 700*	48.1	46.6	9 400*	51.6	47.6	10 500*	55.0	48.4	11 800*	23.0
24.0	42.5	44.8	8 100*	45.1	45.7	8 700*	48.8	46.7	9 700*	52.3	47.6	10 800*	24.0
25.0	39.2	43.6	7 500*	42.0	44.6	8 000*	45.9	45.8	8 900*	49.6	46.7	9 900*	25.0
26.0	35.6	42.2	6 900*	38.7	43.3	7 400*	42.8	44.7	8 200*	46.7	45.8	9 100*	26.0
27.0	31.7	40.6	5 500*	35.0	41.9	6 500*	39.6	43.5	7 600*	43.7	44.8	8 400*	27.0
28.0	27.2	38.8	4 000*	31.1	40.3	5 300*	36.0	42.2	6 800*	40.4	43.6	7 800*	28.0
29.0				26.5	38.4	3 700*	32.2	40.6	5 500*	37.0	42.3	7 300*	29.0
30.0				21.0	35.9	2 400*	27.8	38.8	4 100*	33.2	40.8	6 000*	30.0
31.0										29.0	39.0	4 400*	31.0
32.0										24.0	36.9	3 100*	32.0

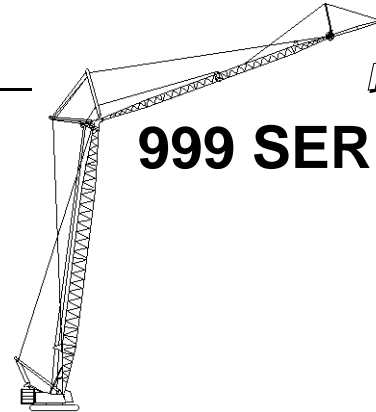


Liftcrane Luffing Jib Intermediate Fall Capacities

999 SERIES 2

Fixed Jib No. 134 At
5 Degree Offset Angle On
Luffing Jib No. 149 On
Boom No. 82
83 730 kg Crane Counterweight
19 960 kg Carbody Counterweight
360 Degree Rating

Designed And Tested
With The Intent To Be In
The Scope of ANSI B30.5

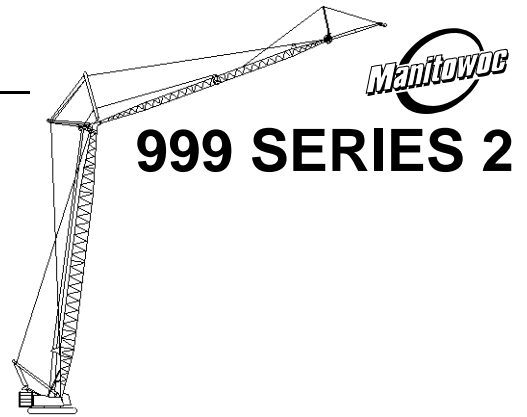


24.4m (80 Ft.) Boom, 64.0m (210 Ft.) Luffing Jib, 9.1m (30 Ft.) - 24.4m (80 Ft.) Fixed Jib

Int. Fall Oper. Rad. Meters	88 Degree Boom Angle			86 Degree Boom Angle			83 Degree Boom Angle			80 Degree Boom Angle			Int. Fall Oper. Rad. Meters
	Jib Angle Degrees	Intermediate Fall		Jib Angle Degrees	Intermediate Fall		Jib Angle Degrees	Intermediate Fall		Jib Angle Degrees	Intermediate Fall		
		Elev. Meters	Capacity Kilograms		Elev. Meters	Capacity Kilograms		Elev. Meters	Capacity Kilograms		Elev. Meters	Capacity Kilograms	
12.2	74.4	55.9	26 700*										12.2
13.0	72.8	55.6	25 400*										13.0
14.0	70.8	55.3	23 600*	72.5	55.5	25 700*							14.0
15.0	68.8	54.9	21 400*	70.5	55.2	23 200*							15.0
16.0	66.7	54.5	19 300*	68.5	54.8	20 900*							16.0
17.0	64.7	54.0	17 500*	66.4	54.3	19 100*	69.0	54.7	21 600*				17.0
18.0	62.5	53.5	15 900*	64.3	53.8	17 300*	67.0	54.3	19 600*				18.0
19.0	60.4	52.9	14 500*	62.2	53.3	15 700*	64.9	53.8	17 800*				19.0
20.0	58.1	52.3	13 200*	60.0	52.7	14 400*	62.8	53.3	16 100*	65.4	53.7	18 300*	20.0
21.0	55.8	51.6	12 200*	57.8	52.1	13 200*	60.6	52.7	14 700*	63.3	53.2	16 600*	21.0
22.0	53.5	50.9	11 300*	55.5	51.4	12 100*	58.4	52.1	13 500*	61.2	52.7	15 100*	22.0
23.0	51.1	50.0	10 400*	53.1	50.7	11 200*	56.1	51.4	12 500*	59.0	52.1	13 900*	23.0
24.0	48.6	49.2	9 600*	50.7	49.8	10 300*	53.8	50.7	11 500*	56.7	51.4	12 800*	24.0
25.0	45.9	48.2	8 900*	48.2	49.0	9 600*	51.4	49.9	10 600*	54.4	50.7	11 800*	25.0
26.0	43.2	47.1	8 200*	45.5	48.0	8 900*	48.9	49.0	9 900*	52.0	49.9	10 900*	26.0
27.0	40.3	46.0	6 800*	42.8	46.9	7 800*	46.2	48.1	9 100*	49.5	49.0	10 100*	27.0
28.0	37.2	44.7	5 200*	39.8	45.7	6 500*	43.5	47.0	8 200*	46.9	48.1	9 400*	28.0
29.0	33.8	43.2	3 900*	36.7	44.4	5 000*	40.6	45.9	6 800*	44.2	47.1	8 700*	29.0
30.0	30.1	41.5	2 700*	33.3	42.9	3 700*	37.6	44.6	5 400*	41.4	46.0	7 300*	30.0
31.0							34.2	43.1	4 000*	38.4	44.7	5 700*	31.0
32.0							30.6	41.5	2 800*	35.1	43.3	4 400*	32.0
33.0										31.6	41.7	3 100*	33.0



Liftcrane Luffing Jib Intermediate Fall Capacities



999 SERIES 2

Fixed Jib No. 134 At
5 Degree Offset Angle On
Luffing Jib No. 149 On
Boom No. 82
83 730 kg Crane Counterweight
19 960 kg Carbody Counterweight
360 Degree Rating

Designed And Tested
With The Intent To Be In
The Scope of ANSI B30.5

36.6m (120 Ft.) Boom, 51.8m (170 Ft.) Luffing Jib, 9.1m (30 Ft.) - 24.4m (80 Ft.) Fixed Jib

Int. Fall Oper. Rad. Meters	88 Degree Boom Angle			86 Degree Boom Angle			83 Degree Boom Angle			80 Degree Boom Angle			Int. Fall Oper. Rad. Meters
	Jib Angle Degrees	Intermediate Fall		Jib Angle Degrees	Intermediate Fall		Jib Angle Degrees	Intermediate Fall		Jib Angle Degrees	Intermediate Fall		
		Elev. Meters	Capacity Kilograms		Elev. Meters	Capacity Kilograms		Elev. Meters	Capacity Kilograms		Elev. Meters	Capacity Kilograms	
10.7	75.2	62.3	26 700*										10.7
11.0	74.4	62.2	26 200*										11.0
12.0	71.9	61.9	24 700*										12.0
13.0	69.4	61.5	22 100*										13.0
14.0	66.8	61.1	18 900*	70.1	61.5	22 700*							14.0
15.0	64.2	60.6	16 600*	67.5	61.1	19 700*							15.0
16.0	61.5	60.0	14 800*	64.9	60.6	17 200*							16.0
17.0	58.7	59.4	13 300*	62.2	60.1	15 300*	67.3	60.8	19 500*				17.0
18.0	55.9	58.7	11 900*	59.5	59.5	13 700*	64.6	60.4	17 200*				18.0
19.0	52.9	58.0	10 800*	56.6	58.8	12 300*	62.0	59.8	15 200*				19.0
20.0	49.8	57.1	9 800*	53.7	58.1	11 200*	59.2	59.2	13 600*	64.3	60.0	17 000*	20.0
21.0	46.6	56.2	9 000*	50.7	57.3	10 100*	56.4	58.5	12 300*	61.7	59.4	15 200*	21.0
22.0	43.1	55.1	8 200*	47.5	56.4	9 300*	53.4	57.8	11 100*	58.9	58.8	13 500*	22.0
23.0	39.4	53.9	7 500*	44.1	55.3	8 500*	50.4	57.0	10 100*	56.0	58.2	12 200*	23.0
24.0	35.4	52.5	6 900*	40.5	54.2	7 800*	47.1	56.1	9 200*	53.1	57.4	11 100*	24.0
25.0	30.9	50.9	6 400*	36.5	52.8	7 100*	43.7	55.0	8 500*	50.0	56.6	10 100*	25.0
26.0	25.6	48.9	5 900*	32.2	51.3	6 600*	40.1	53.8	7 800*	46.8	55.6	9 200*	26.0
27.0	19.0	46.3	5 500*	27.2	49.4	6 100*	36.1	52.5	7 100*	43.3	54.6	8 400*	27.0
28.0				21.0	47.0	5 600*	31.7	50.9	6 600*	39.7	53.4	7 700*	28.0
29.0							26.6	49.0	6 100*	35.7	52.0	7 100*	29.0
30.0							20.3	46.5	5 600*	31.2	50.4	6 600*	30.0
31.0										26.0	48.4	6 000*	31.0
32.0										19.5	45.9	5 600*	32.0

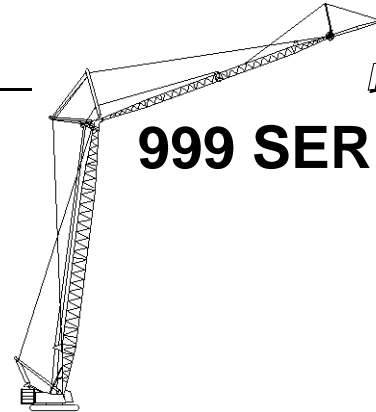


Liftcrane Luffing Jib Intermediate Fall Capacities

999 SERIES 2

Fixed Jib No. 134 At
5 Degree Offset Angle On
Luffing Jib No. 149 On
Boom No. 82
83 730 kg Crane Counterweight
19 960 kg Carbody Counterweight
360 Degree Rating

Designed And Tested
With The Intent To Be In
The Scope of ANSI B30.5

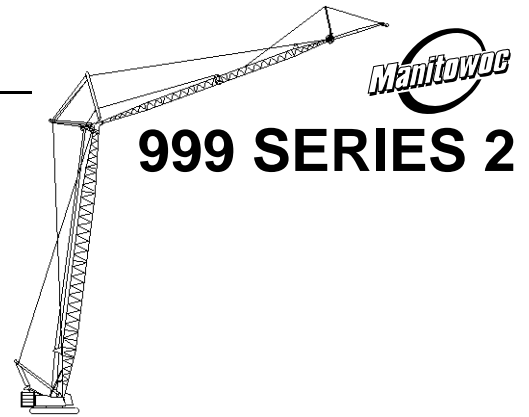


36.6m (120 Ft.) Boom, 54.9m (180 Ft.) Luffing Jib, 9.1m (30 Ft.) - 24.4m (80 Ft.) Fixed Jib

Int. Fall Oper. Rad. Meters	88 Degree Boom Angle			86 Degree Boom Angle			83 Degree Boom Angle			80 Degree Boom Angle			Int. Fall Oper. Rad. Meters
	Jib Angle Degrees	Intermediate Fall		Jib Angle Degrees	Intermediate Fall		Jib Angle Degrees	Intermediate Fall		Jib Angle Degrees	Intermediate Fall		
		Elev. Meters	Capacity Kilograms		Elev. Meters	Capacity Kilograms		Elev. Meters	Capacity Kilograms		Elev. Meters	Capacity Kilograms	
12.2	73.6	65.0	26 700*										12.2
13.0	71.8	64.8	25 800*										13.0
14.0	69.5	64.4	24 300*	72.4	64.8	26 200*							14.0
15.0	67.3	64.0	21 500*	70.2	64.4	24 500*							15.0
16.0	64.9	63.5	18 900*	67.9	64.0	22 300*							16.0
17.0	62.6	63.0	17 000*	65.6	63.5	19 600*	69.9	64.1	24 700*				17.0
18.0	60.2	62.4	15 300*	63.2	63.0	17 500*	67.7	63.7	21 900*				18.0
19.0	57.7	61.7	13 900*	60.8	62.5	15 800*	65.4	63.3	19 400*				19.0
20.0	55.1	61.0	12 700*	58.4	61.8	14 400*	63.0	62.7	17 500*	67.4	63.4	21 600*	20.0
21.0	52.5	60.3	11 600*	55.8	61.2	13 100*	60.6	62.2	15 800*	65.1	62.9	19 400*	21.0
22.0	49.7	59.4	10 700*	53.2	60.4	12 000*	58.1	61.6	14 300*	62.7	62.4	17 300*	22.0
23.0	46.8	58.5	9 800*	50.5	59.6	11 000*	55.6	60.9	13 100*	60.3	61.8	15 700*	23.0
24.0	43.8	57.5	9 000*	47.6	58.7	10 100*	52.9	60.1	12 000*	57.8	61.2	14 300*	24.0
25.0	40.6	56.3	8 300*	44.7	57.7	9 300*	50.2	59.3	11 000*	55.3	60.5	13 000*	25.0
26.0	37.2	55.0	7 700*	41.5	56.5	8 600*	47.4	58.4	10 100*	52.6	59.7	11 900*	26.0
27.0	33.4	53.5	7 200*	38.1	55.3	8 000*	44.4	57.3	9 300*	49.9	58.9	10 900*	27.0
28.0	29.2	51.8	6 600*	34.5	53.9	7 400*	41.2	56.2	8 600*	47.0	57.9	10 100*	28.0
29.0	24.3	49.7	6 200*	30.4	52.2	6 800*	37.8	54.9	8 000*	44.0	56.9	9 300*	29.0
30.0	18.1	46.9	5 800*	25.7	50.2	6 300*	34.1	53.5	7 400*	40.8	55.8	8 600*	30.0
31.0				20.0	47.7	5 900*	30.0	51.8	6 800*	37.4	54.5	8 000*	31.0
32.0				11.6	43.8	5 400*	25.2	49.8	6 400*	33.7	53.0	7 400*	32.0
33.0							19.4	47.2	5 900*	29.5	51.3	6 700	33.0
34.0										24.7	49.2	5 900	34.0
35.0										18.6	46.5	5 000	35.0



Liftcrane Luffing Jib Intermediate Fall Capacities



999 SERIES 2

Fixed Jib No. 134 At
 5 Degree Offset Angle On
 Luffing Jib No. 149 On
 Boom No. 82
 83 730 kg Crane Counterweight
 19 960 kg Carbody Counterweight
 360 Degree Rating

Designed And Tested
 With The Intent To Be In
 The Scope of ANSI B30.5

36.6m (120 Ft.) Boom, 57.9m (190 Ft.) Luffing Jib, 9.1m (30 Ft.) - 24.4m (80 Ft.) Fixed Jib

Int. Fall Oper. Rad. Meters	88 Degree Boom Angle			86 Degree Boom Angle			83 Degree Boom Angle			80 Degree Boom Angle			Int. Fall Oper. Rad. Meters
	Jib Angle Degrees	Intermediate Fall		Jib Angle Degrees	Intermediate Fall		Jib Angle Degrees	Intermediate Fall		Jib Angle Degrees	Intermediate Fall		
		Elev. Meters	Capacity Kilograms		Elev. Meters	Capacity Kilograms		Elev. Meters	Capacity Kilograms		Elev. Meters	Capacity Kilograms	
10.7	75.2	62.3	26 700*										10.7
11.0	74.4	62.2	25 800*										11.0
12.0	71.9	61.9	23 100*										12.0
13.0	69.4	61.5	20 200*										13.0
14.0	66.8	61.1	17 500*	70.1	61.5	21 000*							14.0
15.0	64.2	60.6	15 400*	67.5	61.1	18 300*							15.0
16.0	61.5	60.0	13 700*	64.9	60.6	16 000*							16.0
17.0	58.7	59.4	12 200*	62.2	60.1	14 200*	67.3	60.8	18 100*				17.0
18.0	55.9	58.7	11 000*	59.5	59.5	12 700*	64.6	60.4	15 900*				18.0
19.0	52.9	58.0	10 000*	56.6	58.8	11 400*	62.0	59.8	14 100*				19.0
20.0	49.8	57.1	9 100*	53.7	58.1	10 300*	59.2	59.2	12 600*	64.3	60.0	15 800*	20.0
21.0	46.6	56.2	8 300*	50.7	57.3	9 400*	56.4	58.5	11 400*	61.7	59.4	14 000*	21.0
22.0	43.1	55.1	7 600*	47.5	56.4	8 500*	53.4	57.8	10 300*	58.9	58.8	12 500*	22.0
23.0	39.4	53.9	6 900*	44.1	55.3	7 800*	50.4	57.0	9 300*	56.0	58.2	11 300*	23.0
24.0	35.4	52.5	6 400*	40.5	54.2	7 100*	47.1	56.1	8 500*	53.1	57.4	10 200*	24.0
25.0	30.9	50.9	5 900*	36.5	52.8	6 500*	43.7	55.0	7 800*	50.0	56.6	9 300*	25.0
26.0	25.6	48.9	5 400*	32.2	51.3	6 000*	40.1	53.8	7 200*	46.8	55.6	8 500*	26.0
27.0	19.0	46.3	5 000*	27.2	49.4	5 600*	36.1	52.5	6 600*	43.3	54.6	7 800*	27.0
28.0				21.0	47.0	5 200*	31.7	50.9	6 000*	39.7	53.4	7 100*	28.0
29.0							26.6	49.0	5 600*	35.7	52.0	6 500*	29.0
30.0							20.3	46.5	5 100*	31.2	50.4	6 000*	30.0
31.0										26.0	48.4	5 500	31.0
32.0										19.5	45.9	4 800	32.0

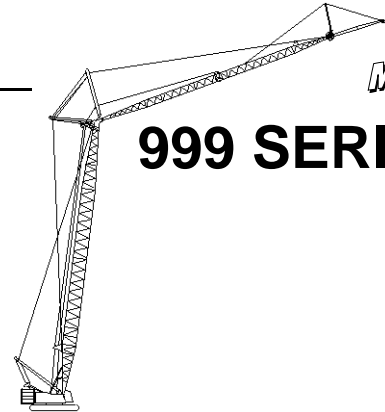


Liftcrane Luffing Jib Intermediate Fall Capacities

999 SERIES 2

Fixed Jib No. 134 At
5 Degree Offset Angle On
Luffing Jib No. 149 On
Boom No. 82
83 730 kg Crane Counterweight
19 960 kg Carbody Counterweight
360 Degree Rating

**Designed And Tested
With The Intent To Be In
The Scope of ANSI B30.5**



36.6m (120 Ft.) Boom, 61.0m (200 Ft.) Luffing Jib, 9.1m (30 Ft.) - 24.4m (80 Ft.) Fixed Jib

Int. Fall Oper. Rad. Meters	88 Degree Boom Angle			86 Degree Boom Angle			83 Degree Boom Angle			80 Degree Boom Angle			Int. Fall Oper. Rad. Meters
	Jib Angle Degrees	Intermediate Fall		Jib Angle Degrees	Intermediate Fall		Jib Angle Degrees	Intermediate Fall		Jib Angle Degrees	Intermediate Fall		
		Elev. Meters	Capacity Kilograms		Elev. Meters	Capacity Kilograms		Elev. Meters	Capacity Kilograms		Elev. Meters	Capacity Kilograms	
12.2	73.6	65.0	26 700*										12.2
13.0	71.8	64.8	24 700*										13.0
14.0	69.5	64.4	22 200*	72.4	64.8	25 900*							14.0
15.0	67.3	64.0	19 600*	70.2	64.4	22 900*							15.0
16.0	64.9	63.5	17 400*	67.9	64.0	20 300*							16.0
17.0	62.6	63.0	15 600*	65.6	63.5	18 000*	69.9	64.1	22 800*				17.0
18.0	60.2	62.4	14 100*	63.2	63.0	16 200*	67.7	63.7	20 200*				18.0
19.0	57.7	61.7	12 800*	60.8	62.5	14 600*	65.4	63.3	17 900*				19.0
20.0	55.1	61.0	11 600*	58.4	61.8	13 200*	63.0	62.7	16 100*	67.4	63.4	19 900*	20.0
21.0	52.5	60.3	10 600*	55.8	61.2	12 000*	60.6	62.2	14 500*	65.1	62.9	17 800*	21.0
22.0	49.7	59.4	9 800*	53.2	60.4	11 000*	58.1	61.6	13 200*	62.7	62.4	16 000*	22.0
23.0	46.8	58.5	9 000*	50.5	59.6	10 100*	55.6	60.9	12 000*	60.3	61.8	14 400*	23.0
24.0	43.8	57.5	8 300*	47.6	58.7	9 300*	52.9	60.1	11 000*	57.8	61.2	13 100*	24.0
25.0	40.6	56.3	7 600*	44.7	57.7	8 500*	50.2	59.3	10 100*	55.3	60.5	12 000*	25.0
26.0	37.2	55.0	7 100*	41.5	56.5	7 900*	47.4	58.4	9 300*	52.6	59.7	11 000*	26.0
27.0	33.4	53.5	6 600*	38.1	55.3	7 300*	44.4	57.3	8 500*	49.9	58.9	10 100*	27.0
28.0	29.2	51.8	6 100*	34.5	53.9	6 700*	41.2	56.2	7 900*	47.0	57.9	9 300*	28.0
29.0	24.3	49.7	5 600*	30.4	52.2	6 200*	37.8	54.9	7 300*	44.0	56.9	8 500	29.0
30.0	18.1	46.9	4 000*	25.7	50.2	5 700*	34.1	53.5	6 800*	40.8	55.8	7 600	30.0
31.0							30.0	51.8	6 300	37.4	54.5	6 700	31.0
32.0							25.2	49.8	5 800	33.7	53.0	5 700	32.0
33.0							19.4	47.2	4 600	29.5	51.3	4 700	33.0
34.0										24.7	49.2	3 900	34.0
35.0										18.6	46.5	3 000	35.0

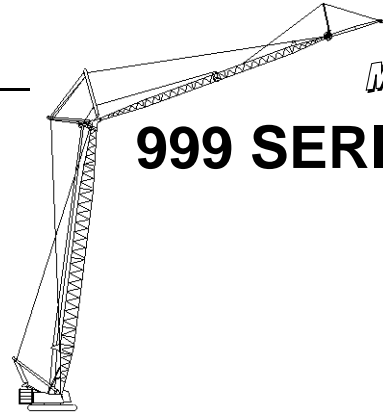


Liftcrane Luffing Jib Intermediate Fall Capacities

999 SERIES 2

Fixed Jib No. 134 At
5 Degree Offset Angle On
Luffing Jib No. 149 On
Boom No. 82
83 730 kg Crane Counterweight
19 960 kg Carbody Counterweight
360 Degree Rating

Designed And Tested
With The Intent To Be In
The Scope of ANSI B30.5



**36.6m (120 Ft.) Boom, 64.0m (210 Ft.) Luffing Jib
9.1m (30 Ft.) - 24.4m (80 Ft.) Fixed Jib**

Int. Fall Oper. Rad. Meters	88 Degree Boom Angle			86 Degree Boom Angle			83 Degree Boom Angle			Int. Fall Oper. Rad. Meters
	Jib Angle Degrees	Intermediate Fall		Jib Angle Degrees	Intermediate Fall		Jib Angle Degrees	Intermediate Fall		
		Elev. Meters	Capacity Kilograms		Elev. Meters	Capacity Kilograms		Elev. Meters	Capacity Kilograms	
12.2	75.3	68.2	26 700*							12.2
13.0	73.7	68.0	26 100*							13.0
14.0	71.7	67.6	25 000*							14.0
15.0	69.7	67.3	22 600*							15.0
16.0	67.6	66.8	20 300*	70.2	67.3	23 200*				16.0
17.0	65.5	66.4	18 300*	68.2	66.9	20 900*				17.0
18.0	63.4	65.9	16 600*	66.1	66.4	18 900*				18.0
19.0	61.3	65.3	15 000*	64.0	65.9	17 100*	68.0	66.6	20 800*	19.0
20.0	59.1	64.7	13 800*	61.9	65.4	15 500*	65.9	66.2	18 800*	20.0
21.0	56.8	64.1	12 600*	59.7	64.8	14 200*	63.8	65.7	17 100*	21.0
22.0	54.5	63.4	11 600*	57.4	64.2	13 000*	61.7	65.1	15 500*	22.0
23.0	52.1	62.6	10 700*	55.1	63.5	11 900*	59.5	64.5	14 200*	23.0
24.0	49.6	61.7	9 900*	52.8	62.7	11 000*	57.2	63.9	13 000*	24.0
25.0	47.1	60.8	9 100*	50.3	61.9	10 200*	54.9	63.2	12 000*	25.0
26.0	44.4	59.8	8 500*	47.8	61.0	9 400*	52.5	62.4	11 000*	26.0
27.0	41.5	58.7	7 900*	45.1	60.0	8 700*	50.1	61.6	10 200*	27.0
28.0	38.5	57.4	7 300*	42.3	58.9	8 100*	47.5	60.7	9 500*	28.0
29.0	35.3	56.0	6 800*	39.4	57.7	7 500*	44.9	59.7	8 800*	29.0
30.0	31.8	54.4	5 700*	36.2	56.3	6 900*	42.0	58.6	8 100*	30.0
31.0	27.8	52.6	4 400*	32.8	54.8	6 100*	39.1	57.3	7 400	31.0
32.0	23.2	50.4	3 200*	28.9	53.0	4 700*	35.9	56.0	6 600	32.0
33.0				24.6	51.0	3 500*	32.4	54.4	5 600	33.0
34.0							28.5	52.6	4 600*	34.0
35.0							24.1	50.5	3 400*	35.0

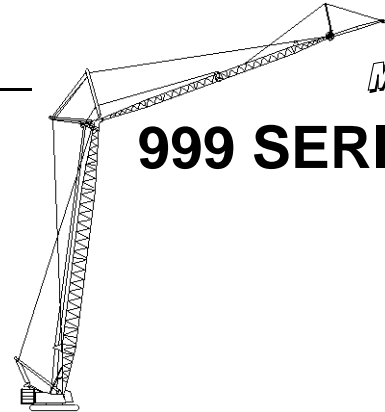


Liftcrane Luffing Jib Intermediate Fall Capacities

999 SERIES 2

Fixed Jib No. 134 At
5 Degree Offset Angle On
Luffing Jib No. 149 On
Boom No. 82
83 730 kg Crane Counterweight
19 960 kg Carbody Counterweight
360 Degree Rating

**Designed And Tested
With The Intent To Be In
The Scope of ANSI B30.5**



48.8m (160 Ft.) Boom, 51.8m (170 Ft.) Luffing Jib, 9.1m (30 Ft.) - 24.4m (80 Ft.) Fixed Jib

Int. Fall Oper. Rad. Meters	88 Degree Boom Angle			86 Degree Boom Angle			83 Degree Boom Angle			80 Degree Boom Angle			Int. Fall Oper. Rad. Meters
	Jib Angle Degrees	Intermediate Fall		Jib Angle Degrees	Intermediate Fall		Jib Angle Degrees	Intermediate Fall		Jib Angle Degrees	Intermediate Fall		
		Elev. Meters	Capacity Kilograms		Elev. Meters	Capacity Kilograms		Elev. Meters	Capacity Kilograms		Elev. Meters	Capacity Kilograms	
12.2	72.5	74.1	26 600*										12.2
13.0	70.4	73.8	23 700*										13.0
14.0	67.9	73.4	20 200*	72.2	74.0	25 800*							14.0
15.0	65.3	73.0	17 700*	69.7	73.6	22 500*							15.0
16.0	62.6	72.5	15 700*	67.1	73.2	19 600*							16.0
17.0	59.9	71.9	14 000*	64.5	72.7	17 200*							17.0
18.0	57.1	71.2	12 600*	61.8	72.2	15 300*							18.0
19.0	54.2	70.5	11 300*	59.1	71.6	13 600*	65.9	72.7	18 700*				19.0
20.0	51.1	69.7	10 200*	56.2	70.9	12 300*	63.3	72.2	16 400*				20.0
21.0	48.0	68.8	9 300*	53.3	70.1	11 100*	60.6	71.6	14 600*				21.0
22.0	44.6	67.8	8 500*	50.2	69.3	10 000*	57.8	71.0	13 100*	64.7	72.0	17 700*	22.0
23.0	41.0	66.6	7 800*	47.0	68.4	9 200*	54.9	70.3	11 800*	62.0	71.5	15 700*	23.0
24.0	37.2	65.3	7 200*	43.6	67.3	8 400*	51.9	69.5	10 700*	59.2	70.9	14 000*	24.0
25.0	32.9	63.8	6 600*	39.9	66.2	7 600*	48.7	68.6	9 700*	56.4	70.2	12 600*	25.0
26.0	28.0	62.0	6 100*	35.9	64.8	7 000*	45.4	67.6	8 900*	53.4	69.5	11 400*	26.0
27.0	22.1	59.7	5 600*	31.5	63.2	6 500*	41.9	66.5	8 100*	50.4	68.7	10 300*	27.0
28.0				26.3	61.3	6 000*	38.1	65.3	7 500*	47.2	67.7	9 400*	28.0
29.0							33.9	63.8	6 900*	43.8	66.7	8 600*	29.0
30.0							29.2	62.1	6 300*	40.1	65.5	7 900*	30.0
31.0							23.6	59.9	5 800*	36.2	64.2	7 200*	31.0
32.0							16.1	56.9	5 400*	31.8	62.6	6 700*	32.0
33.0										26.7	60.7	5 900	33.0

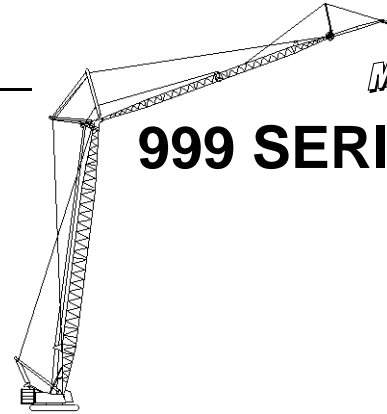


Liftcrane Luffing Jib Intermediate Fall Capacities

999 SERIES 2

Fixed Jib No. 134 At
 5 Degree Offset Angle On
 Luffing Jib No. 149 On
 Boom No. 82
 83 730 kg Crane Counterweight
 19 960 kg Carbody Counterweight
 360 Degree Rating

Designed And Tested
 With The Intent To Be In
 The Scope of ANSI B30.5



48.8m (160 Ft.) Boom, 54.9m (180 Ft.) Luffing Jib, 9.1m (30 Ft.) - 24.4m (80 Ft.) Fixed Jib

Int. Fall Oper. Rad. Meters	88 Degree Boom Angle			86 Degree Boom Angle			83 Degree Boom Angle			80 Degree Boom Angle			Int. Fall Oper. Rad. Meters
	Jib Angle Degrees	Intermediate Fall		Jib Angle Degrees	Intermediate Fall		Jib Angle Degrees	Intermediate Fall		Jib Angle Degrees	Intermediate Fall		
		Elev. Meters	Capacity Kilograms		Elev. Meters	Capacity Kilograms		Elev. Meters	Capacity Kilograms		Elev. Meters	Capacity Kilograms	
12.2	74.5	77.3	26 700*										12.2
13.0	72.7	77.1	26 700*										13.0
14.0	70.5	76.7	25 800*										14.0
15.0	68.2	76.3	22 700*										15.0
16.0	65.9	75.9	20 000*	69.8	76.5	24 700*							16.0
17.0	63.6	75.4	17 900*	67.5	76.1	22 000*							17.0
18.0	61.2	74.8	16 100*	65.2	75.6	19 600*							18.0
19.0	58.7	74.2	14 600*	62.9	75.1	17 500*	68.8	76.0	23 700*				19.0
20.0	56.2	73.5	13 200*	60.5	74.5	15 700*	66.5	75.6	20 900*				20.0
21.0	53.6	72.8	12 100*	58.0	73.9	14 300*	64.1	75.1	18 700*				21.0
22.0	50.9	72.0	11 000*	55.4	73.2	13 000*	61.8	74.6	16 800*				22.0
23.0	48.1	71.1	10 100*	52.8	72.4	11 900*	59.3	74.0	15 200*	65.4	75.0	18 900	23.0
24.0	45.1	70.1	9 300*	50.1	71.6	10 900*	56.8	73.3	13 800*	63.0	74.4	17 200	24.0
25.0	42.0	69.0	8 600*	47.2	70.7	10 000*	54.2	72.6	12 600*	60.6	73.9	15 600	25.0
26.0	38.7	67.8	7 900*	44.2	69.7	9 200*	51.5	71.8	11 500*	58.1	73.2	14 100	26.0
27.0	35.1	66.4	7 300*	41.0	68.5	8 500*	48.8	70.9	10 600*	55.6	72.6	12 700	27.0
28.0	31.1	64.7	6 600*	37.6	67.2	7 800*	45.8	69.9	9 700*	52.9	71.8	11 500	28.0
29.0	26.5	62.8	5 700*	33.9	65.8	7 200*	42.8	68.9	9 000*	50.2	71.0	10 300	29.0
30.0	21.0	60.4	5 100*	29.8	64.1	6 700*	39.5	67.7	8 300*	47.4	70.1	9 200	30.0
31.0				25.0	62.0	6 200*	35.9	66.3	7 700*	44.4	69.0	8 200	31.0
32.0				19.0	59.4	5 800*	32.0	64.8	7 100*	41.2	67.9	7 300	32.0
33.0							27.7	62.9	6 600*	37.8	66.6	6 400	33.0
34.0							22.4	60.6	6 000	34.1	65.2	5 600	34.0
35.0							15.5	57.5	5 100	30.0	63.5	4 800	35.0
36.0										25.3	61.5	4 100	36.0

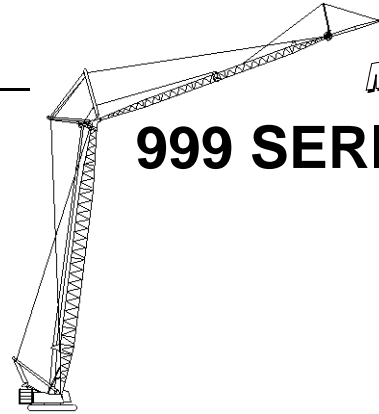


Liftcrane Luffing Jib Intermediate Fall Capacities

999 SERIES 2

Fixed Jib No. 134 At
 5 Degree Offset Angle On
 Luffing Jib No. 149 On
 Boom No. 82
 83 730 kg Crane Counterweight
 19 960 kg Carbody Counterweight
 360 Degree Rating

Designed And Tested
 With The Intent To Be In
 The Scope of ANSI B30.5



**48.8m (160 Ft.) Boom, 57.9m (190 Ft.) Luffing Jib
 9.1m (30 Ft.) - 24.4m (80 Ft.) Fixed Jib**

Int. Fall Oper. Rad. Meters	88 Degree Boom Angle			86 Degree Boom Angle			83 Degree Boom Angle			Int. Fall Oper. Rad. Meters
	Jib Angle Degrees	Intermediate Fall		Jib Angle Degrees	Intermediate Fall		Jib Angle Degrees	Intermediate Fall		
		Elev. Meters	Capacity Kilograms		Elev. Meters	Capacity Kilograms		Elev. Meters	Capacity Kilograms	
12.2	72.5	74.1	24 600*							12.2
13.0	70.4	73.8	21 900*							13.0
14.0	67.9	73.4	18 700*	72.2	74.0	24 500*				14.0
15.0	65.3	73.0	16 400*	69.7	73.6	21 000*				15.0
16.0	62.6	72.5	14 500*	67.1	73.2	18 100*				16.0
17.0	59.9	71.9	12 900*	64.5	72.7	15 900*				17.0
18.0	57.1	71.2	11 600*	61.8	72.2	14 100*				18.0
19.0	54.2	70.5	10 400*	59.1	71.6	12 600*	65.9	72.7	17 300*	19.0
20.0	51.1	69.7	9 400*	56.2	70.9	11 300*	63.3	72.2	15 200*	20.0
21.0	48.0	68.8	8 600*	53.3	70.1	10 200*	60.6	71.6	13 500*	21.0
22.0	44.6	67.8	7 800*	50.2	69.3	9 300*	57.8	71.0	12 100*	22.0
23.0	41.0	66.6	7 200*	47.0	68.4	8 400*	54.9	70.3	10 900*	23.0
24.0	37.2	65.3	6 600*	43.6	67.3	7 700*	51.9	69.5	9 900*	24.0
25.0	32.9	63.8	6 000*	39.9	66.2	7 000*	48.7	68.6	9 000*	25.0
26.0	28.0	62.0	5 500*	35.9	64.8	6 500*	45.4	67.6	8 200*	26.0
27.0	22.1	59.7	5 000*	31.5	63.2	5 900*	41.9	66.5	7 500*	27.0
28.0				26.3	61.3	5 500*	38.1	65.3	6 900*	28.0
29.0							33.9	63.8	6 300*	29.0
30.0							29.2	62.1	5 800*	30.0
31.0							23.6	59.9	5 300	31.0
32.0							16.1	56.9	4 800	32.0

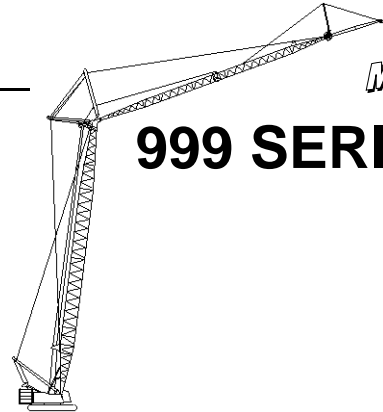


Liftcrane Luffing Jib Intermediate Fall Capacities

999 SERIES 2

Fixed Jib No. 134 At
 5 Degree Offset Angle On
 Luffing Jib No. 149 On
 Boom No. 82
 83 730 kg Crane Counterweight
 19 960 kg Carbody Counterweight
 360 Degree Rating

Designed And Tested
 With The Intent To Be In
 The Scope of ANSI B30.5



**48.8m (160 Ft.) Boom, 61.0m (200 Ft.) Luffing Jib
 9.1m (30 Ft.) - 24.4m (80 Ft.) Fixed Jib**

Int. Fall Oper. Rad. Meters	88 Degree Boom Angle			86 Degree Boom Angle			Int. Fall Oper. Rad. Meters
	Jib Angle Degrees	Intermediate Fall		Jib Angle Degrees	Intermediate Fall		
		Elev. Meters	Capacity Kilograms		Elev. Meters	Capacity Kilograms	
12.2	74.5	77.3	26 700*				12.2
13.0	72.7	77.1	25 600*				13.0
14.0	70.5	76.7	23 900*				14.0
15.0	68.2	76.3	21 000*				15.0
16.0	65.9	75.9	18 400*	69.8	76.5	23 000*	16.0
17.0	63.6	75.4	16 500*	67.5	76.1	20 200*	17.0
18.0	61.2	74.8	14 800*	65.2	75.6	17 900*	18.0
19.0	58.7	74.2	13 400*	62.9	75.1	16 000*	19.0
20.0	56.2	73.5	12 100*	60.5	74.5	14 500*	20.0
21.0	53.6	72.8	11 000*	58.0	73.9	13 100*	21.0
22.0	50.9	72.0	10 100*	55.4	73.2	11 900*	22.0
23.0	48.1	71.1	9 300*	52.8	72.4	10 900*	23.0
24.0	45.1	70.1	8 500*	50.1	71.6	9 900*	24.0
25.0	42.0	69.0	7 800*	47.2	70.7	9 100*	25.0
26.0	38.7	67.8	6 900*	44.2	69.7	8 400*	26.0
27.0	35.1	66.4	5 900*	41.0	68.5	7 700*	27.0
28.0	31.1	64.7	5 000*	37.6	67.2	7 100*	28.0
29.0	26.5	62.8	4 200*	33.9	65.8	6 600*	29.0
30.0	21.0	60.4	3 600*	29.8	64.1	6 100*	30.0
31.0				25.0	62.0	5 500*	31.0
32.0				19.0	59.4	4 500*	32.0

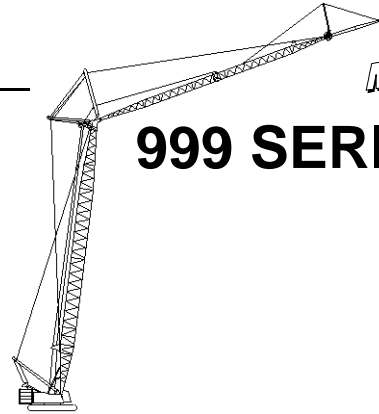


Liftcrane Luffing Jib Intermediate Fall Capacities

999 SERIES 2

Fixed Jib No. 134 At
5 Degree Offset Angle On
Luffing Jib No. 149 On
Boom No. 82
83 730 kg Crane Counterweight
19 960 kg Carbody Counterweight
360 Degree Rating

**Designed And Tested
With The Intent To Be In
The Scope of ANSI B30.5**



**48.8m (160 Ft.) Boom, 64.0m (210 Ft.) Luffing Jib
9.1m (30 Ft.) - 21.3m (70 Ft.) Fixed Jib**

Int. Fall Oper. Rad. Meters	88 Degree Boom Angle			86 Degree Boom Angle			Int. Fall Oper. Rad. Meters
	Jib Angle Degrees	Intermediate Fall		Jib Angle Degrees	Intermediate Fall		
		Elev. Meters	Capacity Kilograms		Elev. Meters	Capacity Kilograms	
13.7	73.1	80.1	26 700*				13.7
14.0	72.5	80.0	26 000*				14.0
15.0	70.5	79.6	23 700*				15.0
16.0	68.5	79.2	21 400*	71.9	79.8	25 200*	16.0
17.0	66.4	78.8	19 300*	69.9	79.4	23 100*	17.0
18.0	64.3	78.3	17 400*	67.9	79.0	20 900*	18.0
19.0	62.2	77.8	15 700*	65.8	78.5	18 800*	19.0
20.0	60.0	77.2	14 300*	63.7	78.0	17 000*	20.0
21.0	57.8	76.5	13 100*	61.6	77.5	15 400*	21.0
22.0	55.5	75.9	12 000*	59.4	76.9	14 100*	22.0
23.0	53.1	75.1	11 000*	57.1	76.2	12 900*	23.0
24.0	50.7	74.3	10 000*	54.8	75.5	11 800*	24.0
25.0	48.2	73.4	8 900*	52.4	74.8	10 900*	25.0
26.0	45.5	72.4	7 700*	49.9	73.9	10 000*	26.0
27.0	42.8	71.3	6 700*	47.4	73.0	9 300*	27.0
28.0	39.8	70.1	5 800*	44.7	72.0	8 500*	28.0
29.0	36.7	68.8	5 000*	41.9	70.9	8 000*	29.0
30.0	33.3	67.3	4 200*	38.9	69.7	7 300*	30.0
31.0	29.6	65.6	3 500*	35.7	68.3	6 600*	31.0
32.0	25.3	63.6	2 900*	32.2	66.7	5 600*	32.0
33.0				28.3	64.9	4 600*	33.0
34.0				23.8	62.8	3 500*	34.0
35.0				18.3	60.0	2 300*	35.0