


Liftcrane Boom

Extended Upper Point Capacities

MLC300 SERIES 3

Boom No. B45:505-500
with 7,0 m Extended Upper Boom Point
215 200 kg VPC (Variable Position Counterweight)
360 Degree Rating


 **LIFTING CAPACITIES:** Lifting capacities for various boom lengths and operating radii are for freely suspended loads and may be based on percent of static tipping or strength of structural components. Capacities must be reduced by applicable deducts.


Upper boom point (upper sheave) capacity for liftcrane service with single part whip line from Drum 6 is 13 600 kg. When Drum 2 or Drum 3 is used, capacity with single part whip line is 16 600 kg. In all cases, upper boom point capacities cannot exceed those listed for extended upper boom point (lower sheave) capacity.


Weight of all load blocks, hooks, weight ball, slings, hoist lines, etc., beneath sheaves is considered part of load. Boom is not to be lowered beyond radii where combined weights are greater than rated capacity. Where no capacity is shown, operation is not intended or approved.

OPERATING CONDITIONS: Machine to operate on a firm, level, and uniformly supporting surface. Refer to Boom Rigging **No. 84049567**, Wire Rope Specifications chart **No. 9647-A**, Counterweight Arrangements chart **No. 9345-A**, and Wind Conditions chart **No. 9646-A**. Crane operator judgment must be used to allow for dynamic load effects of swinging, hoisting or lowering, travel, wind conditions, as well as adverse operating conditions and physical machine depreciation. Refer to the Operator Manual for operating guidelines.

MACHINE TRAVEL: Machine to travel on a firm, level, and uniformly supporting surface. Boom must be within boom angle range shown in capacity chart. Refer to Maximum Allowable Travel Specifications chart **No. 9645-A**.

 **EXTENDED UPPER BOOM POINT OPERATING RADIUS:** Extended upper boom point operating radius is horizontal distance from axis of rotation to center of vertical hoist line or load block.

 **BOOM ANGLE:** Boom angle in degrees (°) is angle between horizontal and centerline of boom butt and inserts, and is an indication of operating radius. In all cases, operating radius shall govern capacity.

 **EXTENDED UPPER BOOM POINT ELEVATION:** Extended upper boom point elevation is vertical distance from ground level to centerline of extended upper boom point shaft.

MACHINE EQUIPMENT: Machine equipped with 9 700 mm crawlers, 1 219 mm or 1 524 mm treads, 9 144 mm live mast, 24 part boom hoist reeving, boom support straps, and 215 200 kg VPC.

Luffing Jib Backstay Deduct	
Boom Length (m)	Deduct (kg)
35,0	1 400
38,0	1 500
41,0	1 700
44,0	1 800
47,0	2 000
50,0	2 100
53,0	2 200
56,0	2 300
59,0	2 400
62,0	2 600
65,0	2 700
68,0	2 900
71,0	3 000
74,0	3 200
77,0	3 200

Deduct the appropriate value from capacities when luffing jib backstays are stored on boom.

Refer to Table 1 (with luffing jib backstays stored) and Table 2 (without luffing jib backstays stored) for raising ability with the maximum weight of all load blocks, hooks, weight ball, slings, and hoist lines beneath extended upper boom point (lower or upper sheaves). For block weights shown with #, load blocks, hooks, weight ball, and slings must remain on ground until combined weights are within rated capacity of chart. Raising is not permitted in shaded areas of table.

Combined weight beneath extended upper boom point (lower or upper sheaves) must not exceed block weight shown.

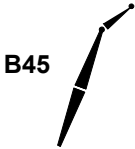


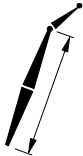




Table 1: With Luffing Jib Backstays

Over End or Side of Crawlers	
Boom Length (m)	Block Weight (kg)
35,0	3 400
38,0	3 400
41,0	3 400
44,0	3 400
47,0	3 400
50,0	3 400
53,0	3 400
56,0	3 400
59,0	3 400
62,0	3 400
65,0	3 400
68,0	3 400
71,0	3 400
74,0	3 400
77,0	#
80,0	Raising Not Permitted
83,0	
86,0	
89,0	

Table 2: Without Luffing Jib Backstays

Over End or Side of Crawlers	
Boom Length (m)	Block Weight (kg)
35,0	3 400
38,0	3 400
41,0	3 400
44,0	3 400
47,0	3 400
50,0	3 400
53,0	3 400
56,0	3 400
59,0	3 400
62,0	3 400
65,0	3 400
68,0	3 400
71,0	3 400
74,0	3 400
77,0	3 400
80,0	#
83,0	#
86,0	#
89,0	#

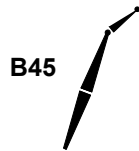
Explanation of Symbols

-  Boom No. B45:505-500
-  VPC (Variable Position Counterweight)
-  360 Degree Rating
-  Boom Length
-  Extended Upper Boom Point Operating Radius
(see page 1)
-  Boom Angle
(see page 1)
-  Extended Upper Boom Point Elevation
(see page 1)
-  Lifting Capacities
(see page 1)

REFERENCE ONLY!

MLC300 S-3

ASME B30.5



215 200 kg



35,0 m			
m	°	m	kg
11,0	82,7	42,5	86 600
11,5	81,9	42,4	86 000
12,0	81,2	42,3	85 500
12,5	80,5	42,1	84 900
13,0	79,8	42,0	84 400
14,0	78,3	41,7	83 400
16,0	75,4	41,0	81 500
18,0	72,4	40,2	79 800
20,0	69,4	39,3	78 300
22,0	66,2	38,2	76 100
24,0	63,0	37,0	70 200
26,0	59,6	35,6	63 700
28,0	56,1	34,0	58 300
30,0	52,4	32,3	53 700
32,0	48,5	30,2	49 700
34,0	44,2	27,9	46 300
36,0	39,5	25,2	43 300

38,0 m			
m	°	m	kg
11,3	82,8	45,5	90 400
11,5	82,5	45,5	90 200
12,0	81,8	45,4	89 800
12,5	81,2	45,2	89 300
13,0	80,5	45,1	88 900
14,0	79,1	44,8	88 100
16,0	76,4	44,2	86 500
18,0	73,7	43,4	85 100
20,0	70,9	42,6	83 700
22,0	68,0	41,6	78 500
24,0	65,1	40,5	70 600
26,0	62,0	39,3	64 000
28,0	58,9	37,9	58 700
30,0	55,6	36,3	54 000
32,0	52,2	34,5	50 000
34,0	48,5	32,5	46 600
36,0	44,6	30,2	43 600
38,0	40,3	27,6	40 900

41,0 m			
m	°	m	kg
11,6	82,9	48,5	94 100
12,0	82,3	48,4	93 800
12,5	81,7	48,3	93 500
13,0	81,1	48,2	93 200
13,5	80,5	48,0	92 900
14,0	79,9	47,9	92 600
16,0	77,3	47,3	91 400
18,0	74,8	46,6	90 400
20,0	72,2	45,8	88 100
22,0	69,5	44,9	78 800
24,0	66,8	43,9	70 800
26,0	64,0	42,8	64 300
28,0	61,2	41,5	58 900
30,0	58,2	40,1	54 300
32,0	55,1	38,5	50 300
34,0	51,9	36,7	46 900
36,0	48,5	34,7	43 800
38,0	44,8	32,5	41 100
40,0	40,9	29,9	38 800

REFERENCE ONLY

MLC300 S-3

ASME B30.5



44,0 m			
m	o	m	kg
11,9	82,9	51,5	97 600
12,0	82,8	51,5	97 600
12,5	82,2	51,4	97 400
13,0	81,6	51,3	97 100
13,5	81,1	51,1	96 900
14,0	80,5	51,0	96 700
16,0	78,1	50,5	95 800
18,0	75,7	49,8	93 300
20,0	73,3	49,1	89 000
22,0	70,8	48,2	79 200
24,0	68,3	47,3	71 200
26,0	65,8	46,3	64 600
28,0	63,1	45,1	59 200
30,0	60,4	43,8	54 600
32,0	57,6	42,3	50 600
34,0	54,7	40,7	47 100
36,0	51,7	39,0	44 100
38,0	48,5	37,0	41 400
40,0	45,1	34,8	39 000
42,0	41,4	32,2	36 900
44,0	37,4	29,3	34 900

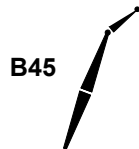
47,0 m			
m	o	m	kg
12,5	82,7	54,4	100 000
13,0	82,1	54,3	100 000
13,5	81,6	54,2	100 000
14,0	81,0	54,1	99 900
14,5	80,5	54,0	99 600
16,0	78,8	53,6	97 900
18,0	76,6	53,0	94 500
20,0	74,3	52,3	89 300
22,0	72,0	51,5	79 500
24,0	69,6	50,6	71 500
26,0	67,3	49,6	64 900
28,0	64,8	48,5	59 500
30,0	62,3	47,3	54 800
32,0	59,7	46,0	50 800
34,0	57,1	44,6	47 300
36,0	54,3	42,9	44 300
38,0	51,4	41,2	41 600
40,0	48,4	39,2	39 200
42,0	45,2	37,0	37 000
44,0	41,8	34,5	35 100
46,0	38,1	31,7	33 300

50,0 m			
m	o	m	kg
12,8	82,8	57,4	100 000
13,0	82,6	57,4	100 000
13,5	82,0	57,3	100 000
14,0	81,5	57,1	100 000
14,5	81,0	57,0	100 000
16,0	79,4	56,7	98 700
18,0	77,3	56,1	95 500
20,0	75,2	55,4	89 700
22,0	73,0	54,7	79 900
24,0	70,8	53,9	71 800
26,0	68,6	53,0	65 200
28,0	66,3	51,9	59 800
30,0	64,0	50,8	55 100
32,0	61,6	49,6	51 000
34,0	59,1	48,3	47 600
36,0	56,6	46,8	44 500
38,0	54,0	45,2	41 800
40,0	51,3	43,4	39 400
42,0	48,4	41,4	37 300
44,0	45,4	39,2	35 300
46,0	42,2	36,8	33 500
48,0	38,8	34,1	31 700

REFERENCE ONLY

MLC300 S-3

ASME B30.5



215 200 kg



360°

53,0 m				56,0 m				59,0 m			
m	o	m	kg	m	o	m	kg	m	o	m	kg
13,1	82,8	60,4	100 000	13,4	82,9	63,4	100 000	13,7	83,0	66,4	100 000
13,5	82,4	60,3	100 000	13,5	82,8	63,4	100 000	14,0	82,7	66,3	100 000
14,0	82,0	60,2	100 000	14,0	82,3	63,3	100 000	14,5	82,3	66,2	100 000
14,5	81,5	60,1	100 000	14,5	81,9	63,2	100 000	15,0	81,8	66,1	100 000
15,0	81,0	60,0	100 000	15,0	81,4	63,1	100 000	15,5	81,4	66,0	100 000
16,0	80,0	59,8	99 200	16,0	80,5	62,8	99 600	16,0	80,9	65,9	100 000
18,0	78,0	59,2	96 500	18,0	78,6	62,3	97 300	18,0	79,1	65,4	98 200
20,0	76,0	58,6	90 000	20,0	76,7	61,7	90 400	20,0	77,3	64,9	90 700
22,0	73,9	57,9	80 100	22,0	74,7	61,1	80 500	22,0	75,5	64,3	80 800
24,0	71,8	57,1	72 100	24,0	72,8	60,3	72 400	24,0	73,6	63,6	72 700
26,0	69,7	56,3	65 400	26,0	70,8	59,5	65 800	26,0	71,7	62,8	66 000
28,0	67,6	55,3	60 000	28,0	68,8	58,6	60 300	28,0	69,8	61,9	60 500
30,0	65,4	54,3	55 300	30,0	66,7	57,7	55 600	30,0	67,9	61,0	55 800
32,0	63,2	53,1	51 200	32,0	64,6	56,6	51 500	32,0	65,9	60,0	51 700
34,0	60,9	51,9	47 800	34,0	62,5	55,4	48 000	34,0	63,9	58,9	48 200
36,0	58,6	50,5	44 700	36,0	60,3	54,1	44 900	36,0	61,9	57,7	45 100
38,0	56,2	49,0	42 000	38,0	58,1	52,8	42 200	38,0	59,8	56,4	42 300
40,0	53,7	47,4	39 600	40,0	55,8	51,3	39 800	40,0	57,6	55,0	39 900
42,0	51,1	45,6	37 400	42,0	53,4	49,6	37 600	42,0	55,4	53,5	37 800
44,0	48,4	43,7	35 500	44,0	51,0	47,8	35 600	44,0	53,2	51,9	35 300
46,0	45,6	41,5	33 600	46,0	48,4	45,9	33 100	46,0	50,8	50,1	32 800
48,0	42,6	39,1	31 500	48,0	45,7	43,8	30 800	48,0	48,4	48,1	30 500
50,0	39,4	36,5	29 300	50,0	42,9	41,4	28 700	50,0	45,8	46,0	28 400
				52,0	39,8	38,8	26 700	52,0	43,2	43,7	26 400
				54,0	36,6	35,9	24 800	54,0	40,3	41,2	24 600
								56,0	37,3	38,3	22 900

MLC300 S-3

ASME B30.5



215 200 kg



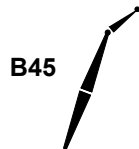
62,0 m			
m	o	m	kg
14,3	82,7	69,3	100 000
14,5	82,6	69,3	100 000
15,0	82,2	69,2	100 000
15,5	81,7	69,1	100 000
16,0	81,3	69,0	100 000
18,0	79,6	68,5	98 800
20,0	77,9	68,0	91 100
22,0	76,1	67,4	81 100
24,0	74,3	66,7	73 000
26,0	72,6	66,0	66 300
28,0	70,8	65,2	60 800
30,0	68,9	64,3	56 000
32,0	67,1	63,4	51 900
34,0	65,2	62,3	48 400
36,0	63,3	61,2	45 300
38,0	61,3	60,0	42 600
40,0	59,3	58,7	40 000
42,0	57,2	57,3	37 200
44,0	55,1	55,7	34 500
46,0	52,9	54,1	32 000
48,0	50,7	52,3	29 800
50,0	48,4	50,4	27 700
52,0	45,9	48,3	25 700
54,0	43,4	46,0	23 900
56,0	40,7	43,5	22 200
58,0	37,8	40,7	20 600

65,0 m			
m	o	m	kg
14,6	82,8	72,3	100 000
15,0	82,5	72,3	100 000
15,5	82,1	72,2	100 000
16,0	81,7	72,1	100 000
16,5	81,3	72,0	99 900
18,0	80,0	71,6	99 400
20,0	78,4	71,1	91 400
22,0	76,7	70,5	81 400
24,0	75,0	69,9	73 200
26,0	73,3	69,2	66 500
28,0	71,6	68,4	60 900
30,0	69,9	67,6	56 200
32,0	68,1	66,7	52 100
34,0	66,3	65,7	48 600
36,0	64,5	64,7	45 500
38,0	62,7	63,5	42 700
40,0	60,8	62,3	39 800
42,0	58,8	61,0	36 900
44,0	56,9	59,5	34 200
46,0	54,8	58,0	31 700
48,0	52,8	56,3	29 500
50,0	50,6	54,5	27 400
52,0	48,4	52,6	25 500
54,0	46,1	50,5	23 700
56,0	43,6	48,3	22 000
58,0	41,1	45,8	20 400
60,0	38,4	43,1	18 900

68,0 m			
m	o	m	kg
14,9	82,9	75,3	100 000
15,0	82,8	75,3	100 000
15,5	82,4	75,2	100 000
16,0	82,0	75,1	100 000
16,5	81,6	75,0	100 000
18,0	80,5	74,7	99 900
20,0	78,9	74,2	91 800
22,0	77,3	73,6	81 700
24,0	75,7	73,0	73 500
26,0	74,0	72,4	66 800
28,0	72,4	71,6	61 200
30,0	70,7	70,9	56 400
32,0	69,1	70,0	52 300
34,0	67,4	69,1	48 800
36,0	65,6	68,0	45 600
38,0	63,9	67,0	42 200
40,0	62,1	65,8	39 000
42,0	60,3	64,5	36 000
44,0	58,4	63,2	33 400
46,0	56,5	61,8	30 900
48,0	54,6	60,2	28 700
50,0	52,6	58,5	26 600
52,0	50,5	56,8	24 700
54,0	48,4	54,8	22 900
56,0	46,1	52,8	21 200
58,0	43,8	50,5	19 700
60,0	41,4	48,1	18 200
62,0	38,8	45,4	16 800
64,0	36,1	42,5	15 500

MLC300 S-3

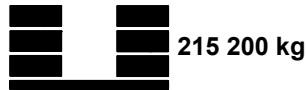
ASME B30.5



71,0 m				74,0 m				77,0 m			
m	o	m	kg	m	o	m	kg	m	o	m	kg
15,2	82,9	78,3	100 000	15,5	83,0	81,3	100 000	16,2	82,8	84,2	100 000
15,5	82,7	78,2	100 000	16,0	82,6	81,2	100 000	16,5	82,6	84,1	99 900
16,0	82,3	78,1	100 000	16,5	82,3	81,1	99 900	17,0	82,2	84,1	99 800
16,5	82,0	78,0	99 900	17,0	81,9	81,0	99 900	17,5	81,9	84,0	99 400
17,0	81,6	77,9	99 900	17,5	81,5	80,9	99 900	18,0	81,5	83,9	99 000
18,0	80,8	77,7	99 800	18,0	81,2	80,8	99 800	20,0	80,1	83,4	92 200
20,0	79,3	77,3	91 500	20,0	79,7	80,4	92 000	22,0	78,7	82,9	82 100
22,0	77,8	76,7	81 500	22,0	78,2	79,9	81 800	24,0	77,3	82,4	73 800
24,0	76,2	76,2	73 200	24,0	76,8	79,3	73 600	26,0	75,8	81,8	67 000
26,0	74,7	75,5	66 500	26,0	75,3	78,7	66 800	28,0	74,4	81,2	61 400
28,0	73,1	74,8	60 900	28,0	73,8	78,0	61 200	30,0	72,9	80,5	56 600
30,0	71,5	74,1	56 100	30,0	72,3	77,3	56 400	32,0	71,5	79,7	52 400
32,0	69,9	73,2	52 000	32,0	70,7	76,5	52 200	34,0	70,0	78,9	48 400
34,0	68,3	72,4	48 500	34,0	69,2	75,7	48 600	36,0	68,5	78,0	44 400
36,0	66,7	71,4	45 300	36,0	67,6	74,7	44 800	38,0	66,9	77,1	40 800
38,0	65,0	70,4	42 000	38,0	66,0	73,8	41 200	40,0	65,4	76,1	37 600
40,0	63,3	69,3	38 800	40,0	64,4	72,7	37 900	42,0	63,8	75,0	34 600
42,0	61,6	68,1	35 800	42,0	62,8	71,6	35 000	44,0	62,3	73,9	32 000
44,0	59,8	66,8	33 200	44,0	61,1	70,4	32 300	46,0	60,6	72,6	29 600
46,0	58,0	65,4	30 700	46,0	59,4	69,1	29 900	48,0	59,0	71,3	27 300
48,0	56,2	64,0	28 500	48,0	57,7	67,7	27 700	50,0	57,3	69,9	25 300
50,0	54,3	62,4	26 400	50,0	55,9	66,2	25 600	52,0	55,6	68,5	23 400
52,0	52,4	60,8	24 500	52,0	54,1	64,7	23 700	54,0	53,9	66,9	21 600
54,0	50,4	59,0	22 800	54,0	52,2	63,0	22 000	56,0	52,1	65,2	20 000
56,0	48,3	57,1	21 100	56,0	50,3	61,2	20 300	58,0	50,2	63,4	18 500
58,0	46,2	55,0	19 600	58,0	48,3	59,3	18 800	60,0	48,3	61,5	17 100
60,0	44,0	52,8	18 100	60,0	46,3	57,3	17 300	62,0	46,4	59,5	15 700
62,0	41,7	50,4	16 700	62,0	44,2	55,1	16 000	64,0	44,3	57,3	14 400
64,0	39,2	47,7	15 400	64,0	42,0	52,7	14 700	66,0	42,2	55,0	13 200
66,0	36,6	44,9	14 200	66,0	39,6	50,1	13 500	68,0	40,0	52,4	12 100
68,0				68,0	37,2	47,3	12 300	70,0	37,6	49,7	11 000

MLC300 S-3

ASME B30.5



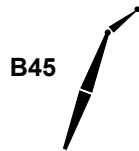
80,0 m			
m	o	m	kg
16,5	82,8	87,2	97 800
17,0	82,5	87,1	97 400
17,5	82,1	87,0	97 100
18,0	81,8	86,9	96 700
18,5	81,5	86,8	96 200
20,0	80,4	86,5	92 700
22,0	79,1	86,1	82 500
24,0	77,7	85,5	74 200
26,0	76,3	85,0	67 400
28,0	74,9	84,4	61 700
30,0	73,5	83,7	56 500
32,0	72,1	83,0	51 400
34,0	70,7	82,2	46 900
36,0	69,3	81,3	42 900
38,0	67,8	80,4	39 300
40,0	66,3	79,5	36 100
42,0	64,8	78,4	33 200
44,0	63,3	77,3	30 500
46,0	61,8	76,2	28 100
48,0	60,2	74,9	25 900
50,0	58,6	73,6	23 900
52,0	57,0	72,2	22 000
54,0	55,4	70,7	20 300
56,0	53,7	69,2	18 700
58,0	52,0	67,5	17 200
60,0	50,2	65,7	15 800
62,0	48,3	63,8	14 400
64,0	46,5	61,8	13 200
66,0	44,5	59,6	12 000
68,0	42,5	57,3	10 900
70,0	40,3	54,8	9 800
72,0	38,1	52,0	8 800

83,0 m			
m	o	m	kg
16,8	82,9	90,2	95 100
17,0	82,7	90,1	94 900
17,5	82,4	90,1	94 600
18,0	82,1	90,0	94 300
18,5	81,8	89,9	94 000
20,0	80,8	89,6	92 200
22,0	79,5	89,1	82 600
24,0	78,1	88,6	74 300
26,0	76,8	88,1	67 400
28,0	75,5	87,5	61 800
30,0	74,1	86,8	56 800
32,0	72,8	86,1	51 800
34,0	71,4	85,4	47 300
36,0	70,0	84,6	43 300
38,0	68,6	83,7	39 700
40,0	67,2	82,8	36 500
42,0	65,8	81,8	33 600
44,0	64,3	80,8	31 000
46,0	62,8	79,6	28 600
48,0	61,4	78,5	26 400
50,0	59,8	77,2	24 400
52,0	58,3	75,9	22 500
54,0	56,7	74,5	20 800
56,0	55,1	73,0	19 200
58,0	53,5	71,4	17 700
60,0	51,8	69,7	16 300
62,0	50,1	67,9	15 000
64,0	48,3	66,0	13 700
66,0	46,5	64,0	12 500
68,0	44,6	61,8	11 400
70,0	42,7	59,5	10 400
72,0	40,6	57,1	9 400
74,0	38,5	54,4	8 400
76,0	36,2	51,5	7 500

86,0 m			
m	o	m	kg
17,1	82,9	93,2	89 000
17,5	82,7	93,1	88 500
18,0	82,3	93,0	88 000
18,5	82,0	92,9	87 500
19,0	81,7	92,8	87 000
20,0	81,1	92,6	86 100
22,0	79,8	92,2	82 300
24,0	78,5	91,7	74 600
26,0	77,3	91,2	67 700
28,0	76,0	90,6	61 900
30,0	74,7	90,0	56 300
32,0	73,4	89,3	51 100
34,0	72,0	88,6	46 600
36,0	70,7	87,8	42 600
38,0	69,4	87,0	39 000
40,0	68,0	86,1	35 800
42,0	66,6	85,2	32 900
44,0	65,2	84,2	30 200
46,0	63,8	83,1	27 800
48,0	62,4	82,0	25 600
50,0	61,0	80,8	23 600
52,0	59,5	79,5	21 700
54,0	58,0	78,2	20 000
56,0	56,5	76,7	18 400
58,0	54,9	75,2	16 900
60,0	53,3	73,6	15 500
62,0	51,7	72,0	14 200
64,0	50,0	70,2	12 900
66,0	48,3	68,3	11 800
68,0	46,6	66,3	10 700
70,0	44,8	64,1	9 600
72,0	42,9	61,8	8 600
74,0	40,9	59,4	7 700
76,0	38,9	56,8	6 800
78,0	36,7	53,9	5 900

MLC300 S-3

ASME B30.5



215 200 kg



 m	 o	 m	 kg
17,4	83,0	96,2	83 300
17,5	82,9	96,1	83 100
18,0	82,6	96,1	82 500
18,5	82,3	96,0	82 000
19,0	82,0	95,9	81 400
20,0	81,4	95,7	80 400
22,0	80,1	95,3	77 100
24,0	78,9	94,8	72 500
26,0	77,7	94,3	67 900
28,0	76,4	93,7	61 900
30,0	75,2	93,1	56 000
32,0	73,9	92,5	50 800
34,0	72,6	91,8	46 300
36,0	71,3	91,0	42 300
38,0	70,0	90,2	38 700
40,0	68,7	89,4	35 500
42,0	67,4	88,5	32 600
44,0	66,1	87,5	29 900
46,0	64,7	86,5	27 500
48,0	63,4	85,4	25 300
50,0	62,0	84,2	23 300
52,0	60,6	83,0	21 400
54,0	59,1	81,8	19 700
56,0	57,7	80,4	18 100
58,0	56,2	79,0	16 600
60,0	54,7	77,5	15 200
62,0	53,2	75,9	13 900
64,0	51,6	74,2	12 600
66,0	50,0	72,4	11 500
68,0	48,3	70,5	10 400
70,0	46,6	68,5	9 300
72,0	44,9	66,4	8 400
74,0	43,0	64,1	7 400
76,0	41,2	61,7	6 500
78,0	39,2	59,1	5 700
80,0	37,1	56,3	4 800

REFERENCE ONLY!