

GROVE®

GMK6450-1

Product Guide

ASME B30.5 Imperial 85%



500 USt
(450 t)



197 ft
(60 m)

GVW

158,730 lbs
(72 000 kg)

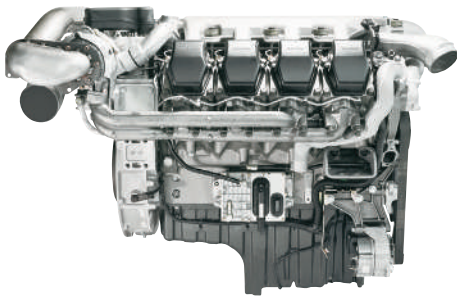


448 ft
(136 m)

GROVE GMK6450-1

FEATURES

The GMK6450-1 is the strongest heavy-duty 6 axle crane on the market with a self-rigging MegaWingLift™ (rigging time < 20 min). Able to take on jobs that would usually require a seven- or eight-axle model, this outstanding all-terrain crane features an improved hydraulic system with faster flow to provide quicker operating speeds and even smoother movements. With MAXbase™ variable outrigger positioning, capacities on the main boom are increased.



6-Cylinder In-Line Diesel Engine

The GMK6450-1 comes equipped with a Mercedes-Benz OM473LA.E5, 6-cylinder In-line Diesel Engine, EU Stage V

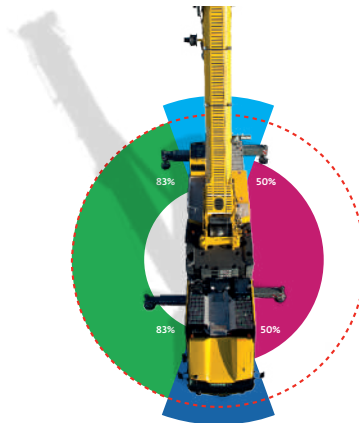
Rated Power: 577 hp (430 kW) at 1600 rpm

Torque Max.: 2102 ft/lb (2850 Nm) at 1300 rpm

Engine Emissions Stage: Off Highway Euromot 5

MAXbase™ Variable Outrigger Positioning

MAXbase provides increased flexibility on the jobsite by allowing asymmetrical outrigger spans. This makes it easier to work in congested jobsites with obstructions and allows for increased capacities.



Self-rigging MegaWingLift™ and Auxiliary Hoist

The patented self-rigging MegaWingLift™ reduces transportation and erection costs to a minimum. Both the MegaWingLift™ and the auxiliary hoist can be installed without an auxiliary crane.

Rigging time: < 20 min

Transport weight: < 24,000 lb (11 t)

Transport height: < 8.2 ft (2500 mm)



GROVE®

CONNECT™

GROVE CONNECT transforms the user experience of crane owners and makes everyday work easier.

Get access to secure, accurate data with an easy and intuitive remote 'real time' view on your crane's operation.

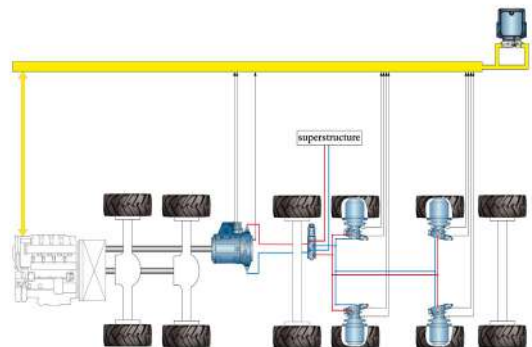


Scan to learn more or visit manitowoc.com/support.



Grove MegaDrive™

- Conventional drive at the front and hybrid drive for slow speed
- Automatic on/off of MegaDrive™: over 16 mph (25 km/h) off, less than 20 km/h (12 mph)
- Better traction in bad surface conditions
- Longer lifecycle of parts because of less direct contact
- Smooth and powerful acceleration from standstill



The world's most advanced crane service and support network

WORLDWIDE SUPPORT NETWORK

Manitowoc's customer service extends beyond any borders. Our locations span the globe, covering five continents. No matter where the job takes you, you have a business partner nearby.



PARTS

Locating the correct part quickly is vital to managing your operations. With Manitowoc Customer Support, the parts you need are just a phone call or click away.

LIFT SOLUTIONS

The Manitowoc Crane Lift Solutions Team is dedicated to helping customers with unique and customized applications for their Manitowoc cranes, regardless of product line.

TRAINING

Manitowoc Training Centers offer courses for operators and technicians across the globe to provide in-depth instruction on crane operation, maintenance, and troubleshooting procedures.

EnCORE

Manitowoc's EnCORE program maximizes your investment by rebuilding or repairing your crane to extend its life significantly. EnCORE also includes remanufactured parts.



MANITOWOC FINANCE

Manitowoc Finance gets you in the field with the right equipment by giving you access to flexible, affordable financing. With Manitowoc Finance, equipment can be acquired with virtually no cash outlay, and unlike traditional lending, our financial products don't affect bank lines of credit. Your capital resources remain intact for times when you need ready access to cash.

Competitive rates with flexible financing options and payment schedules put you in control.

Did you know? Manitowoc Finance can finance used Manitowoc cranes. You can also trade-in your used fleet for upgrade and get financed by Manitowoc Finance.





CONTENTS

8

Dimensions

14

Transport Proposals

17

Working Range/Load Charts - Main Boom

28

Working Range/Load Charts - Main Boom and MegaWingLift™

36

Working Range/Load Charts - Main Boom and Lattice Extension

40

Working Range/Load Charts - Main Boom, Lattice Extension, and MegaWingLift™

43

Working Range/Load Charts - Main Boom and Luffing Jibs

54

Working Range/Load Charts - Main Boom, Luffing Jib with MegaWingLift™

66

Working Range/Load Charts - Main Boom and Heavy Duty Jib

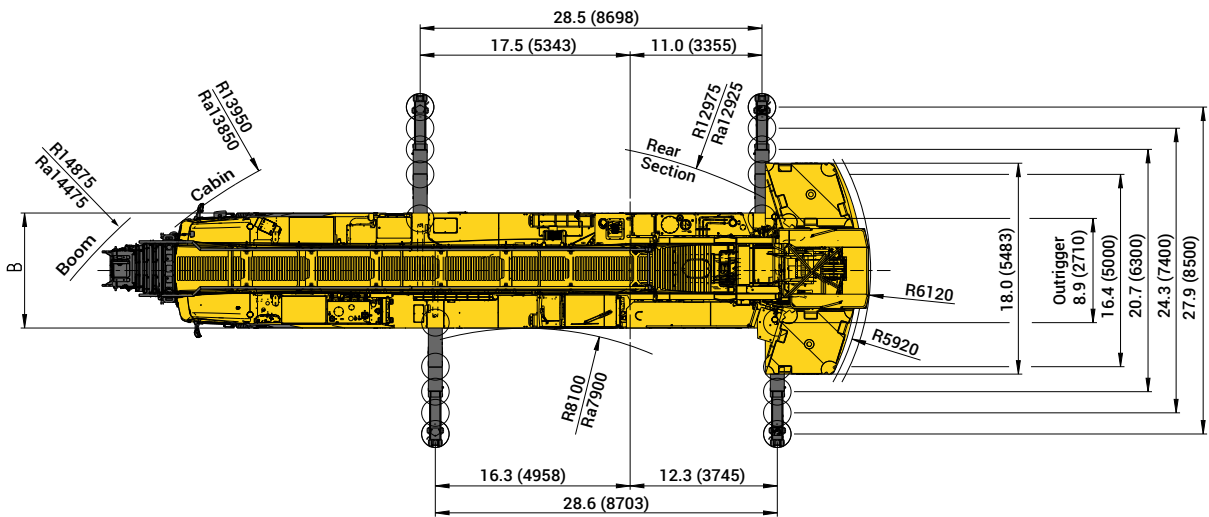
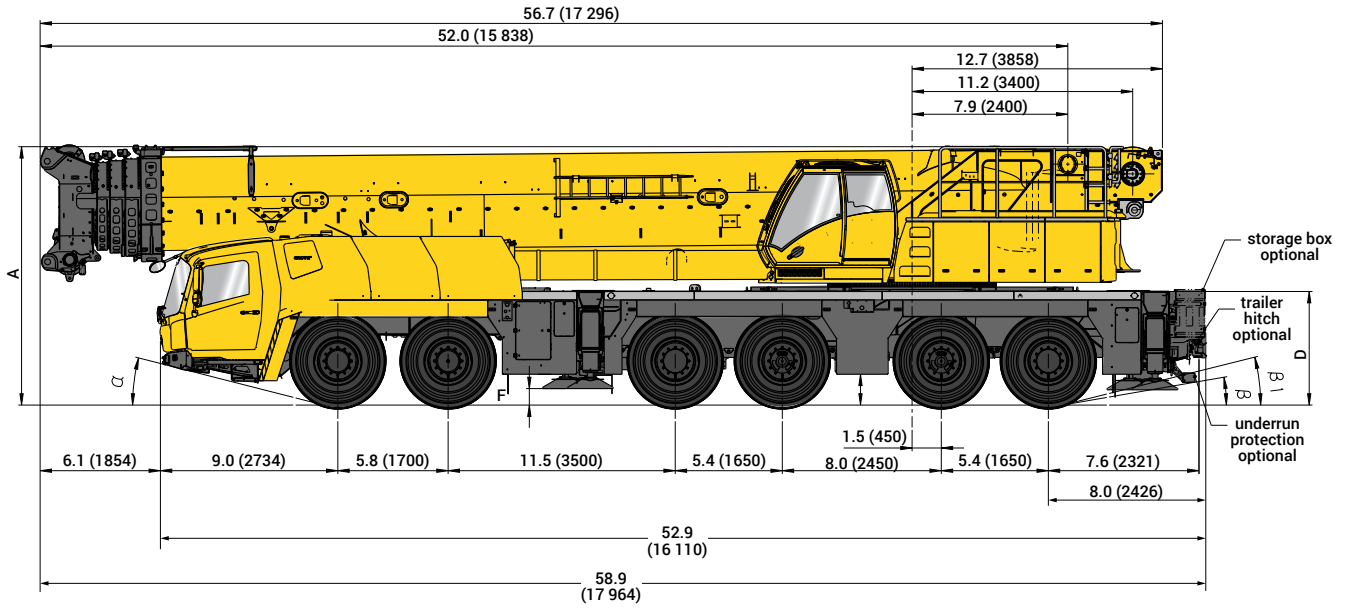
68

Working Range/Load Charts - Main Boom, Heavy Duty Jib, and MegaWingLift™

72

Specifications

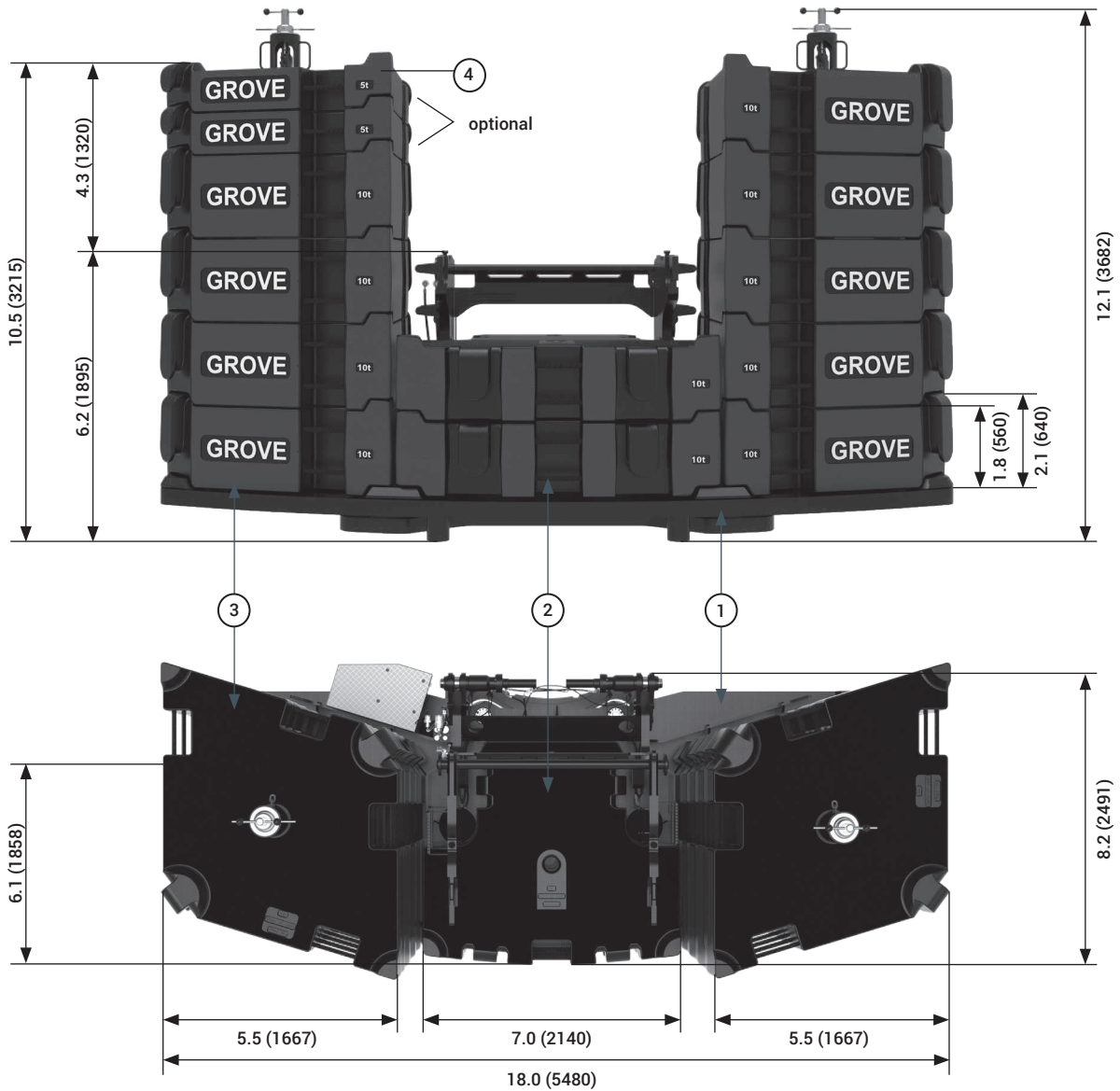
DIMENSIONS




Dimensions shown are in ft (mm)

	A	A 0.4 (130)*	B	C	D	E	F	α	β	β_1
14.00 R25 (385/95 R25)	13.1 (4000)	12.7 (3874)	9.8 (3000)	8.4 (2570)	5.8 (1755)	1.6 (475)	0.8 (254)	14°	10°	14°
16.00 R25 (445/95 R25)	13.1 (4000)	12.9 (3924)	9.8 (3000)	8.2 (2510)	5.8 (1755)	1.6 (475)	0.8 (254)	14°	10°	14°
20.5 R25 (525/80 R25)	13.1 (4000)	12.9 (3924)	10.2 (3100)	8.3 (2530)	5.8 (1755)	1.6 (475)	0.8 (254)	14°	10°	14°

DIMENSIONS

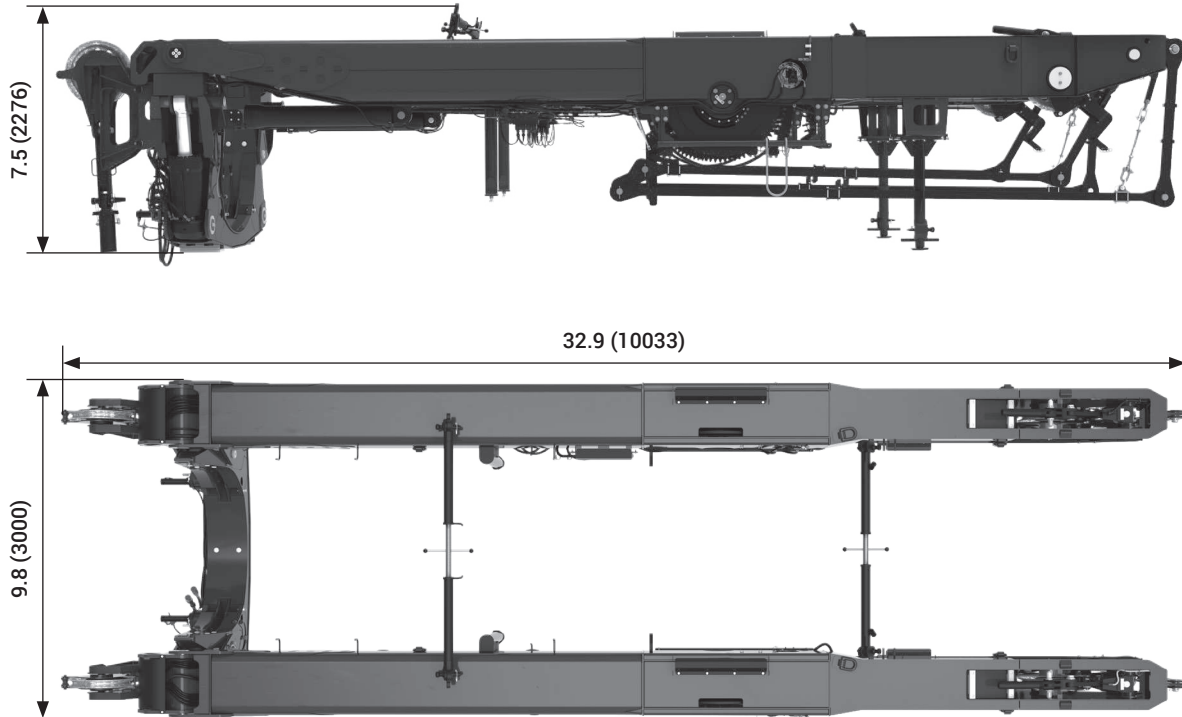


Dimensions shown are in ft (mm)

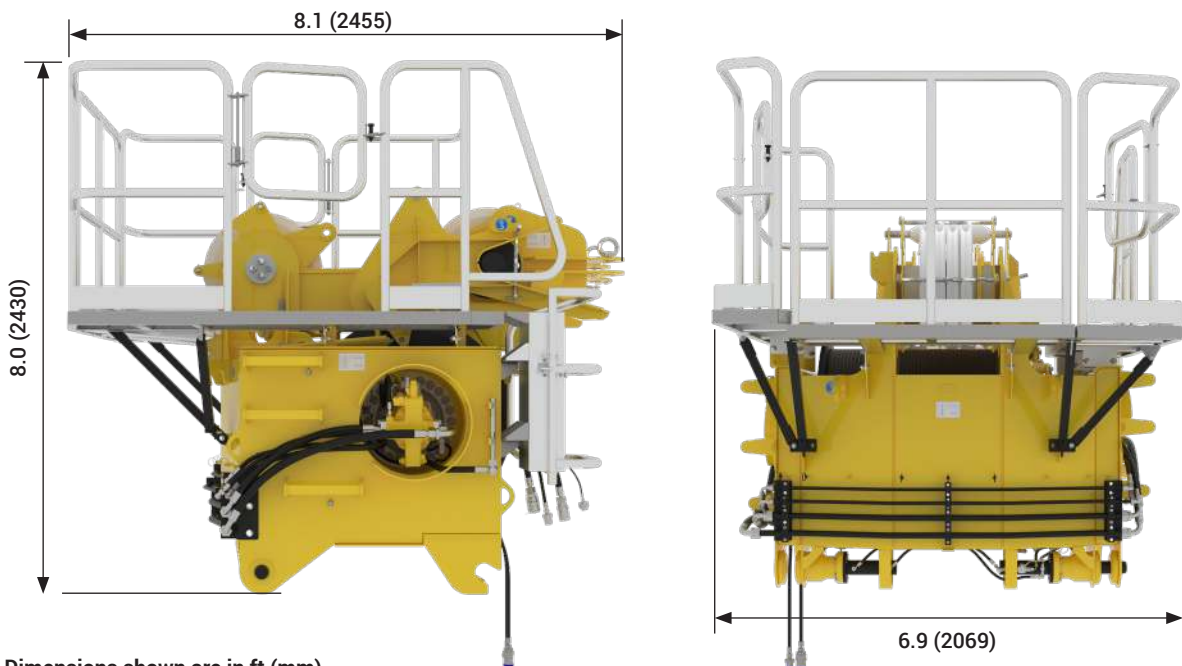
 lb (t)	①	②	③	④
33,000 (15,0)	X			optional
77,000 (35,0)	X		2X	
121,000 (55,0)	X	2X	2X	
165,500 (75,0)	X	2X	4X	
209,500 (95,0)	X	2X	6X	
253,500 (115,0)	X	2X	8X	
297,600 (135,0)	X	2X	10X	

DIMENSIONS

MegaWingLift™



Auxiliary Hoist

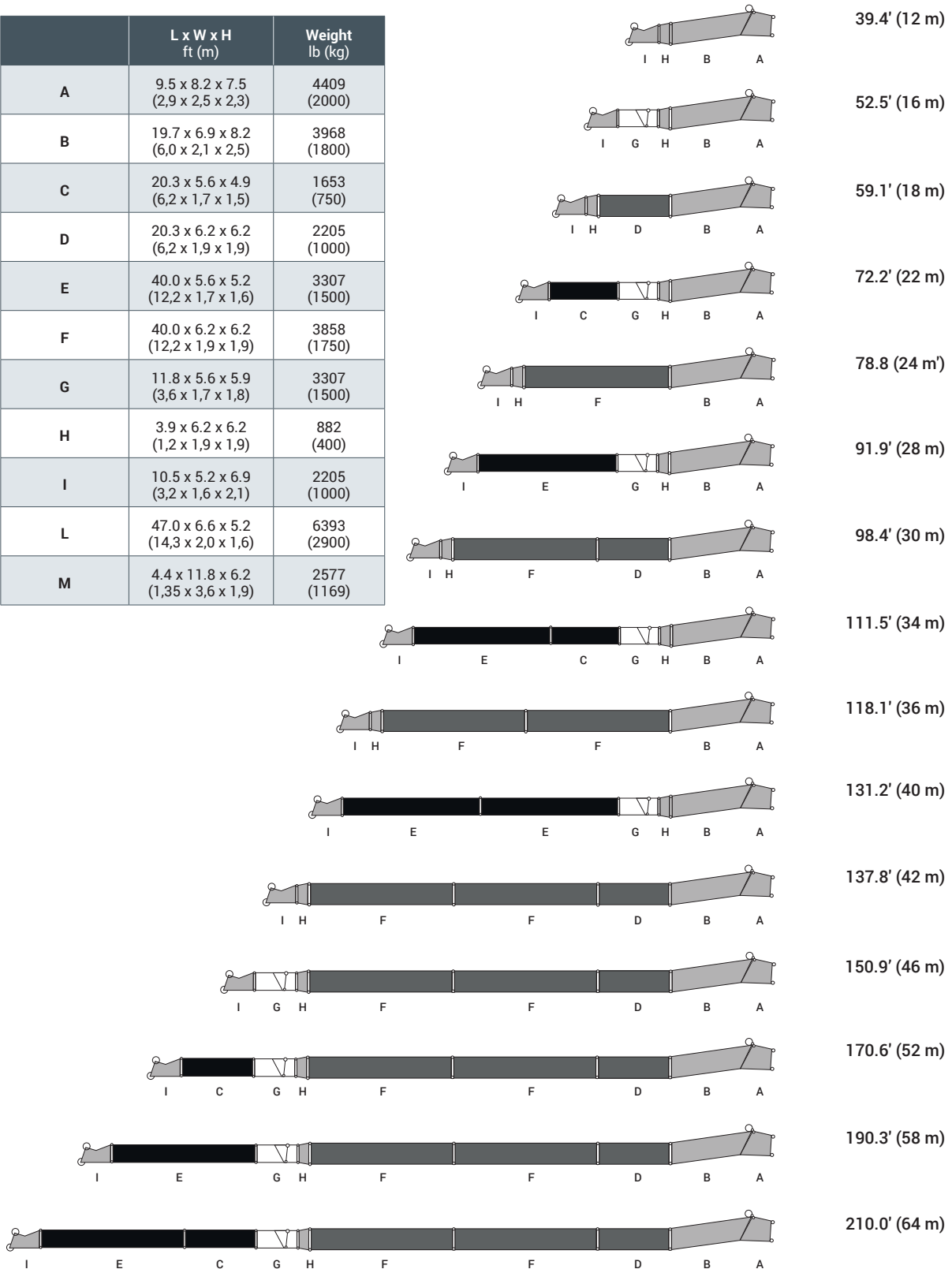


Dimensions shown are in ft (mm)

DIMENSIONS

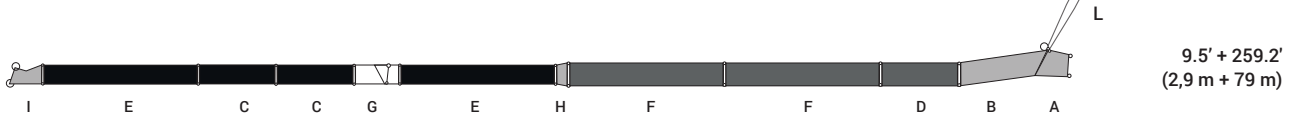
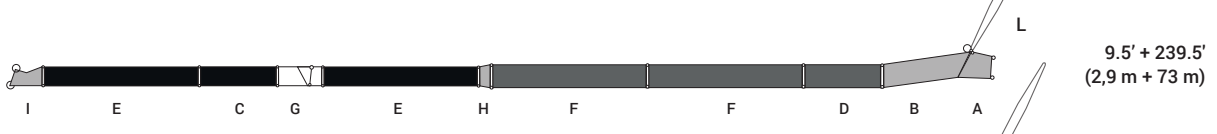
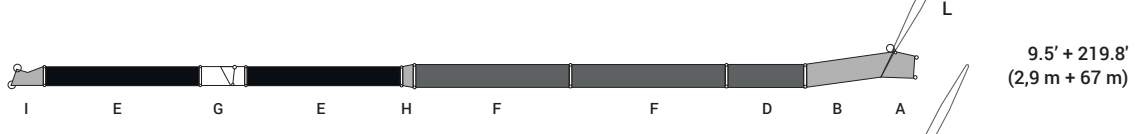
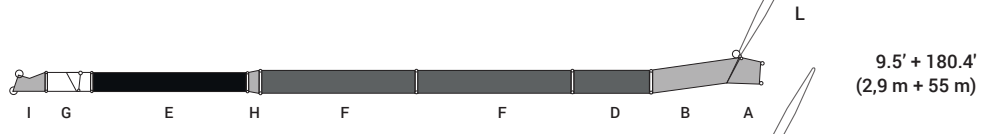
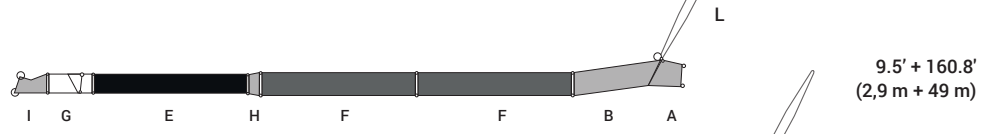
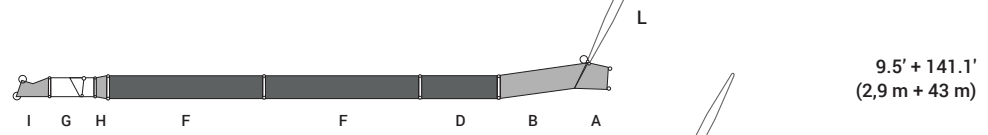
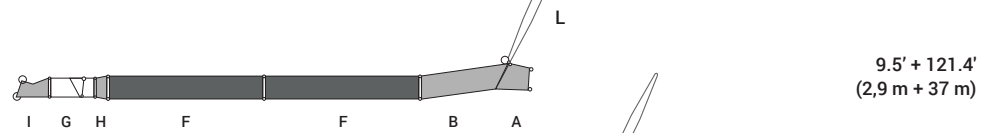
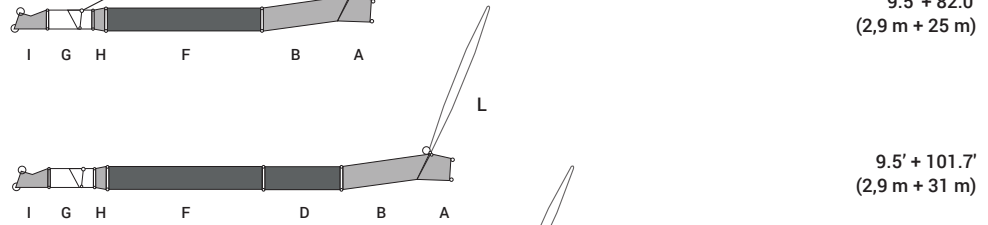
Lattice Extension

	L x W x H ft (m)	Weight lb (kg)
A	9.5 x 8.2 x 7.5 (2,9 x 2,5 x 2,3)	4409 (2000)
B	19.7 x 6.9 x 8.2 (6,0 x 2,1 x 2,5)	3968 (1800)
C	20.3 x 5.6 x 4.9 (6,2 x 1,7 x 1,5)	1653 (750)
D	20.3 x 6.2 x 6.2 (6,2 x 1,9 x 1,9)	2205 (1000)
E	40.0 x 5.6 x 5.2 (12,2 x 1,7 x 1,6)	3307 (1500)
F	40.0 x 6.2 x 6.2 (12,2 x 1,9 x 1,9)	3858 (1750)
G	11.8 x 5.6 x 5.9 (3,6 x 1,7 x 1,8)	3307 (1500)
H	3.9 x 6.2 x 6.2 (1,2 x 1,9 x 1,9)	882 (400)
I	10.5 x 5.2 x 6.9 (3,2 x 1,6 x 2,1)	2205 (1000)
L	47.0 x 6.6 x 5.2 (14,3 x 2,0 x 1,6)	6393 (2900)
M	4.4 x 11.8 x 6.2 (1,35 x 3,6 x 1,9)	2577 (1169)



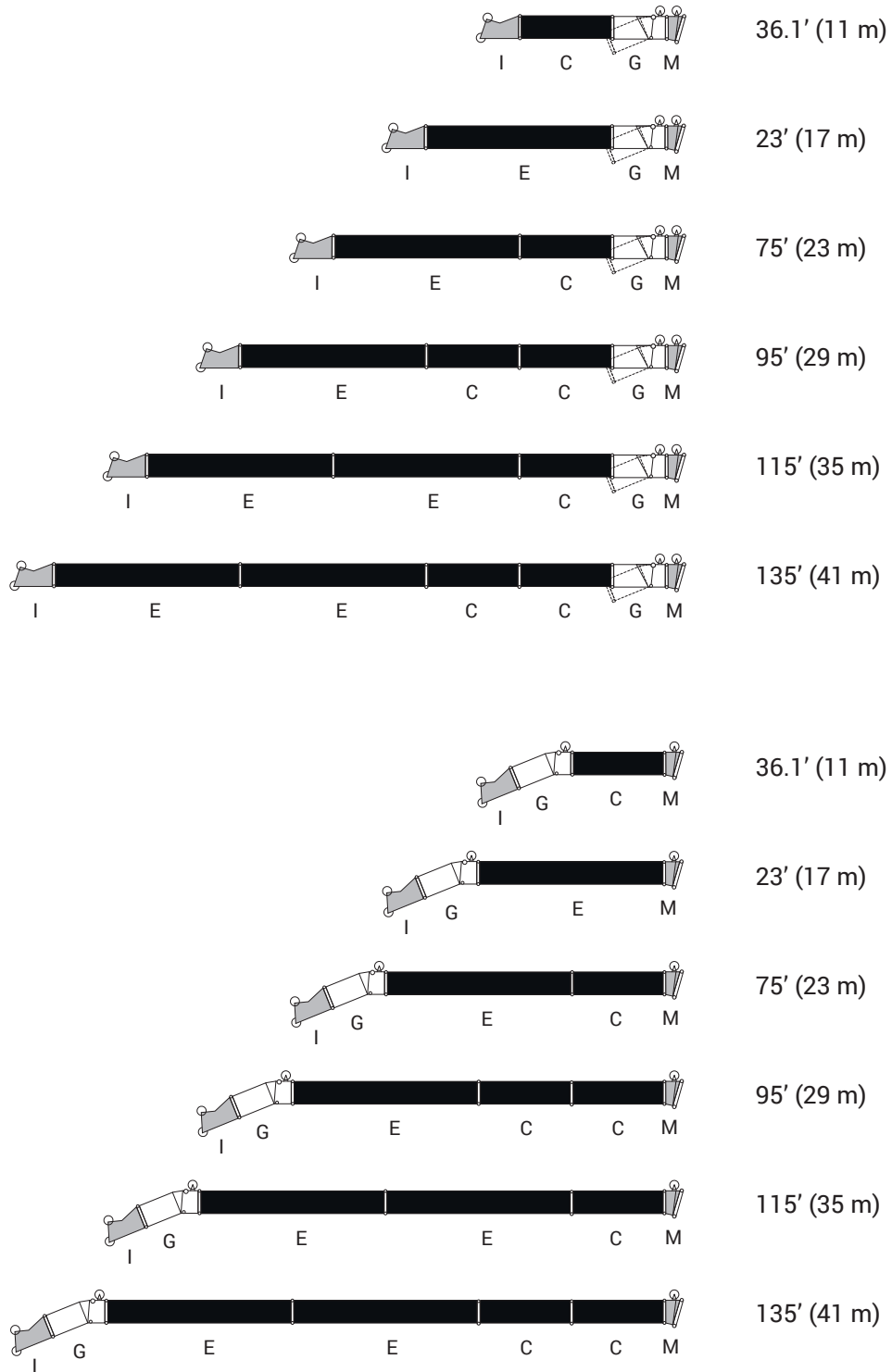
DIMENSIONS

Luffing Jib



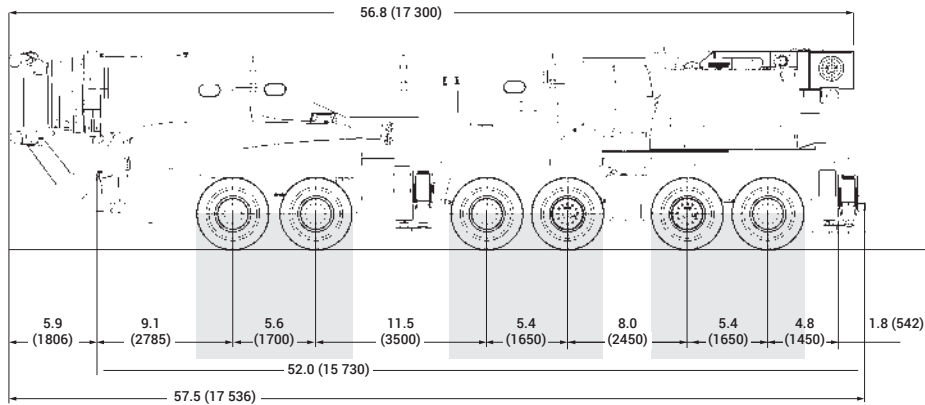
DIMENSIONS

Light Boom Jib Combinations



TRANSPORT PROPOSALS

Boom Over Front



Dimensions shown are in ft (mm)

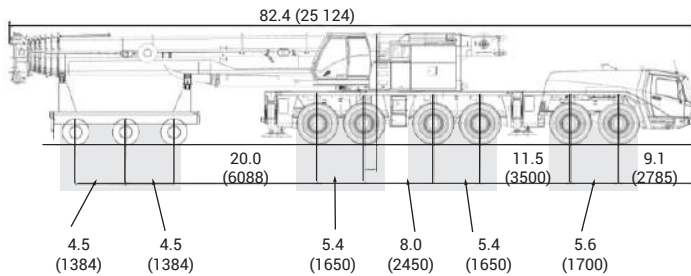
	Axles 1-2	Axles 3-6	Total GVW
Boom over front, rear outrigger box removed	57,054 lb (25 879 kg)	92,973 lb (42 172 kg)	150,027 lb (68 051 kg)
Boom over front, rear outrigger box installed	50,825 lb (23 054 kg)	110,446 lb (50 097 kg)	161,271 lb (73 151 kg)
Boom removed, rear outrigger box installed	18,776 lb (8517 kg)	85,180 lb (38 637 kg)	103,956 lb (47 154 kg)

Unit equipped with:

- 20.5 tires on aluminum rims
- Operator, 165 lb (75 kg)
- Welded on MegaWingLift™
- Removable rear outrigger box

Allow 3% variation in weight due to manufacturing tolerances

Trailing Boom with Dolly



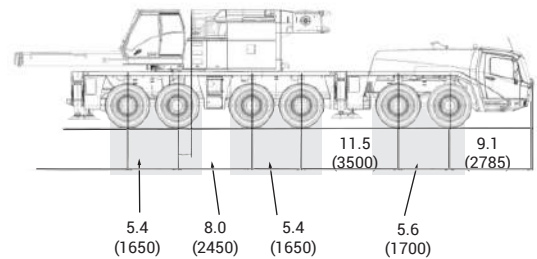
	Axles 1-2	Axles 3-6	Dolly	Total GVW
Boom in dolly over rear, rear outrigger box removed	28,290 lb (12 832 kg)	84,889 lb (38 506 kg)	49,421 lb (22 417 kg)	162,600 lb (73 754 kg)
Boom in dolly over rear, rear outrigger box installed	21,417 lb (9715 kg)	103,244 lb (46 831 kg)	49,659 lb (22 525 kg)	174,320 lb (79 070 kg)

Unit equipped with:

- 20.5 tires on aluminum rims
- Operator, 165 lb (75 kg)
- Welded on MegaWingLift™
- 3-axle dolly (11,023 lb [5000 kg])

Allow 3% variation in weight due to manufacturing tolerances

Boom Removed, Superstructure Over Rear



	Axles 1-2	Axles 3-6	Total GVW
Boom removed, superstructure over rear	23,589 lb (10 700 kg)	68,063 lb (30 873 kg)	91,652 lb (41 573 kg)

Unit equipped with:

- Rear outrigger box removed
- 20.5 tires on aluminum rims
- Operator, 165 lb (75 kg)

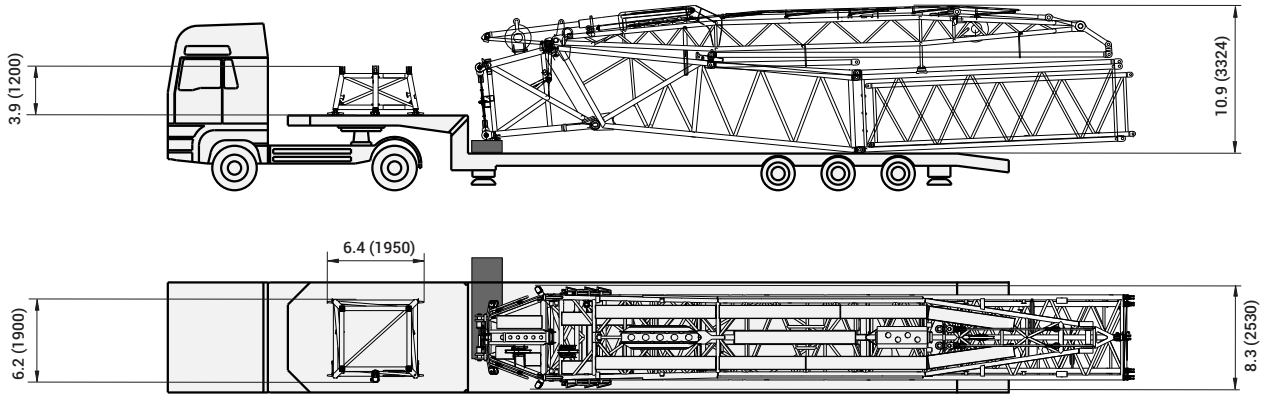
Allow 3% variation in weight due to manufacturing tolerances

Weight information

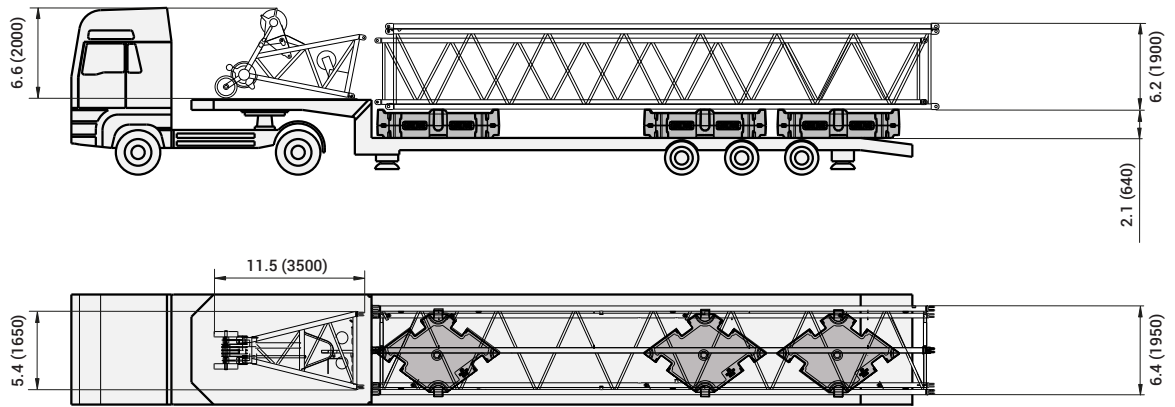
Removable rear outrigger box	11,244 lb (5100 kg)
Main boom	57,320 lb (26 000 kg)

TRANSPORT PROPOSALS

A+B+C+D+H+L

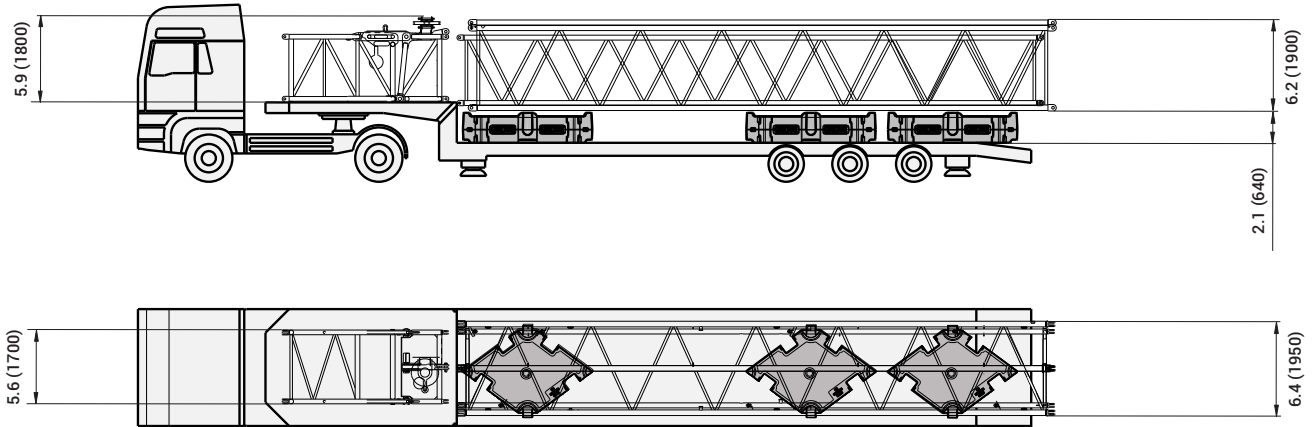


F+E+I

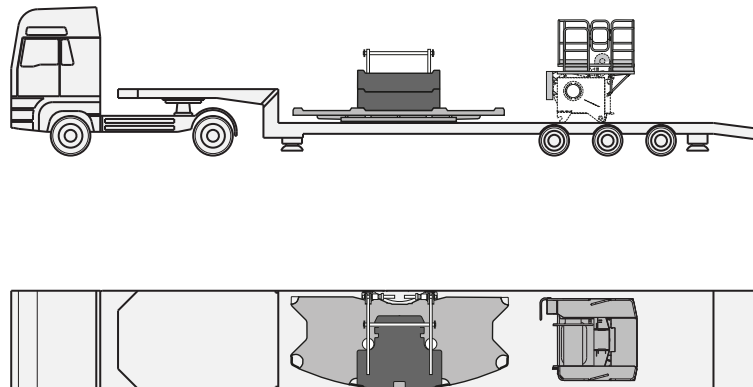


TRANSPORT PROPOSALS

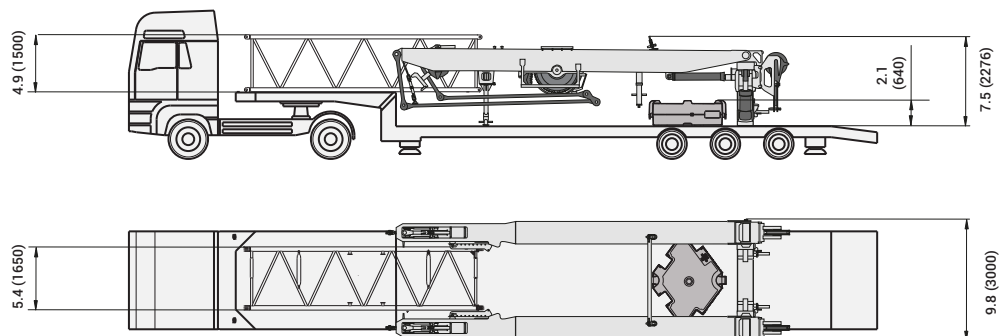
F+E+G



15 t (33,070 lb) baseplate + 2x10 t (22,046 lb) slab + auxiliary hoist

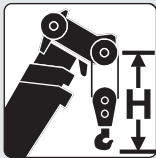
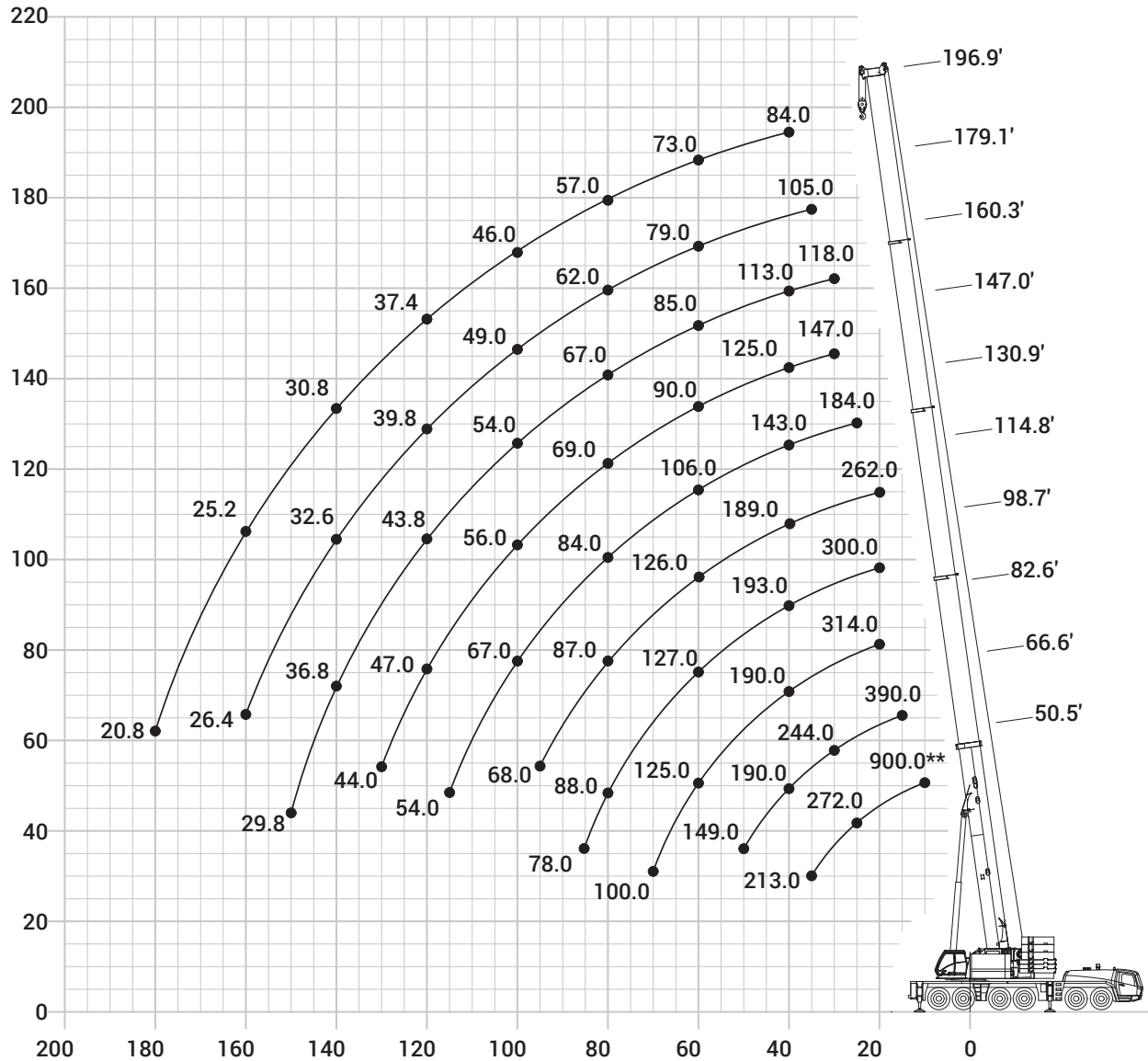


MegaWingLift™ + C



WORKING RANGE

Main Boom



Hook Block USt (t)	Height ft (mm)
352 D (320 D)	13.3 (4050)
275 D (250 D)	13.0 ft (3950)
220 D (200 D)	12.0 ft (3650)
176 D (160 D)	12.0 ft (3650)
110 D/E (100 D/E)	10.8 ft (3300)
44 D/E (40 D/E)	10.5 ft (3200)
18 H/B (16 H/B)	8.5 ft (2600)

THIS CHART IS ONLY A GUIDE AND SHOULD NOT BE USED TO OPERATE THE CRANE.

The individual crane's load chart, operating instructions and other instructional plates must be read and understood prior to operating the crane

LOAD CHART

Main Boom



51 ft - 197 ft
(15,4 m - 60,0 m)



297,600 lb
(135 t)



28.5 ft x 27.8 ft
(8,7 m x 8,5m)



360°



Pounds

Feet	50.5	66.6	82.6	87.3	98.7	114.8	123.9	130.9	139.9	147.0	163.0	179.1	192.4	196.9
25.0		280.00												
30.0	242.00	244.00	244.00	200.00	234.00		170.00	168.00		147.00				
35.0	213.00	215.00	215.00	178.00	213.00	206.00	153.00	154.00		136.00	120.00	105.00		
40.0		190.00	190.00	160.00	193.00	189.00	139.00	143.00	103.00	125.00	113.00	102.00	88.00	84.00
45.0		170.00	170.00	146.00	173.00	172.00	125.00	132.00	95.00	115.00	105.00	97.00	88.00	84.00
50.0		149.00	153.00	133.00	156.00	154.00	114.00	122.00	87.00	106.00	98.00	91.00	84.00	82.00
55.0			138.00	123.00	140.00	139.00	104.00	114.00	81.00	97.00	91.00	85.00	80.00	78.00
60.0			125.00	114.00	127.00	126.00	95.00	106.00	75.00	90.00	85.00	79.00	75.00	73.00
65.0			113.00	106.00	116.00	114.00	87.00	99.00	70.00	84.00	79.00	74.00	70.00	69.00
70.0			100.00	97.00	105.00	104.00	81.00	94.00	65.00	78.00	75.00	70.00	66.00	65.00
75.0					97.00	95.00	76.00	89.00	61.00	73.00	70.00	65.00	62.00	61.00
80.0					88.00	87.00	70.00	84.00	58.00	69.00	67.00	62.00	59.00	57.00
85.0					78.00	81.00	65.00	80.00	54.00	65.00	63.00	58.00	55.00	54.00
90.0						75.00	60.00	76.00	52.00	62.00	60.00	55.00	52.00	51.00
95.0						68.00	56.00	71.00	49.00	59.00	57.00	52.00	50.00	48.00
100.0							53.00	67.00	47.00	56.00	54.00	50.00	47.00	46.00
105.0							50.00	62.00	45.00	54.00	51.00	47.00	44.00	43.40
110.0							48.00	57.00	42.40	51.00	48.00	45.00	42.20	41.20
115.0								54.00	40.60	49.00	46.00	43.20	40.20	39.20
120.0									39.00	47.00	43.80	41.40	38.40	37.40
125.0										46.00	41.80	39.60	36.60	35.80
130.0										44.00	39.80	37.80	34.80	34.00
135.0											38.20	36.20	33.20	32.40
140.0											36.80	34.20	31.60	30.80
145.0											35.20	33.20	30.20	29.40
150.0											29.80	32.00	28.80	28.00
155.0												30.80	27.40	26.60
160.0												29.40	25.80	25.20
165.0													24.60	24.00
170.0													23.40	22.80
175.0													22.40	21.80
180.0														20.80

THIS CHART IS ONLY A GUIDE AND SHOULD NOT BE USED TO OPERATE THE CRANE.

The individual crane's load chart, operating instructions and other instructional plates must be read and understood prior to operating the crane

LOAD CHART

Main Boom



51 ft - 197 ft
(15,4 m - 60,0 m)



253,500 lb
(115 t)



28.5 ft x 27.8 ft
(8,7 m x 8,5m)



360°



Pounds

Feet	50.5	66.6	82.6	87.3	98.7	114.8	123.9	130.9	139.9	147.0	163.0	179.1	192.4	196.9
15.0		384.00												
20.0	328.00	326.00	314.00	256.00	300.00	262.00								
25.0	276.00	278.00	278.00	226.00	264.00	254.00		184.00						
30.0	238.00	240.00	240.00	200.00	238.00	226.00	170.00	168.00	124.00	147.00	126.00			
35.0	208.00	210.00	210.00	178.00	213.00	206.00	153.00	154.00	113.00	136.00	120.00	105.00		
40.0		184.00	185.00	160.00	187.00	186.00	139.00	143.00	103.00	125.00	113.00	102.00	88.00	84.00
45.0		162.00	162.00	146.00	165.00	164.00	125.00	132.00	95.00	115.00	105.00	97.00	88.00	84.00
50.0		145.00	143.00	133.00	146.00	144.00	114.00	122.00	87.00	106.00	98.00	91.00	84.00	82.00
55.0			130.00	123.00	130.00	128.00	104.00	114.00	81.00	97.00	91.00	85.00	80.00	78.00
60.0			117.00	112.00	116.00	115.00	95.00	106.00	75.00	90.00	85.00	79.00	75.00	73.00
65.0			106.00	100.00	105.00	104.00	87.00	99.00	70.00	84.00	79.00	74.00	70.00	69.00
70.0			96.00	91.00	96.00	94.00	81.00	94.00	65.00	78.00	75.00	70.00	66.00	65.00
75.0					88.00	86.00	76.00	88.00	61.00	73.00	70.00	65.00	62.00	61.00
80.0					81.00	79.00	70.00	81.00	58.00	69.00	67.00	62.00	59.00	57.00
85.0					74.00	73.00	65.00	75.00	54.00	65.00	63.00	58.00	55.00	54.00
90.0						68.00	60.00	69.00	52.00	62.00	60.00	55.00	52.00	51.00
95.0						65.00	56.00	64.00	49.00	59.00	57.00	52.00	50.00	48.00
100.0							53.00	60.00	47.00	56.00	54.00	50.00	47.00	46.00
105.0							50.00	56.00	45.00	54.00	51.00	47.00	44.00	43.40
110.0							48.00	52.00	42.40	51.00	48.00	45.00	42.20	41.20
115.0								49.00	40.60	49.00	46.00	43.20	40.20	39.20
120.0									39.00	47.00	43.80	41.40	38.40	37.40
125.0										44.00	41.80	39.60	36.60	35.80
130.0										41.60	39.80	37.80	34.80	34.00
135.0											38.20	36.20	33.20	32.40
140.0											36.80	34.60	31.60	30.80
145.0											34.80	33.20	30.20	29.40
150.0											29.80	32.00	28.80	28.00
155.0												30.80	27.40	26.60
160.0												29.40	25.80	25.20
165.0													24.60	24.00
170.0													23.40	22.80
175.0													22.40	21.80
180.0														20.80

THIS CHART IS ONLY A GUIDE AND SHOULD NOT BE USED TO OPERATE THE CRANE.

The individual crane's load chart, operating instructions and other instructional plates must be read and understood prior to operating the crane

LOAD CHART

Main Boom



51 ft - 197 ft
(15,4 m - 60,0 m)



209,400 lb
(95 t)



28.5 ft x 27.8 ft
(8,7 m x 8,5m)



360°



Pounds

Feet	50.5	66.6	82.6	87.3	98.7	114.8	123.9	130.9	139.9	147.0	163.0	179.1	192.4	196.9
10.0	494.00													
15.0	392.00	390.00												
20.0	320.00	322.00	314.00	256.00	300.00	262.00								
25.0	272.00	274.00	274.00	226.00	264.00	254.00		184.00						
30.0	232.00	234.00	236.00	200.00	238.00	226.00	170.00	168.00	124.00	147.00	126.00			
35.0	199.00	201.00	201.00	178.00	204.00	202.00	153.00	154.00	113.00	136.00	120.00	105.00		
40.0		172.00	171.00	160.00	174.00	173.00	139.00	143.00	103.00	125.00	113.00	102.00	88.00	84.00
45.0		150.00	151.00	146.00	151.00	149.00	125.00	132.00	95.00	115.00	105.00	97.00	88.00	84.00
50.0		131.00	133.00	127.00	132.00	131.00	114.00	122.00	87.00	106.00	98.00	91.00	84.00	82.00
55.0			118.00	113.00	117.00	116.00	104.00	114.00	81.00	97.00	91.00	85.00	80.00	78.00
60.0			106.00	100.00	105.00	104.00	95.00	106.00	75.00	90.00	85.00	79.00	75.00	73.00
65.0			95.00	90.00	95.00	93.00	87.00	95.00	70.00	84.00	79.00	74.00	70.00	69.00
70.0			87.00	81.00	86.00	85.00	80.00	87.00	65.00	78.00	75.00	70.00	66.00	65.00
75.0					79.00	79.00	72.00	79.00	61.00	73.00	70.00	65.00	62.00	61.00
80.0					72.00	74.00	67.00	73.00	58.00	69.00	67.00	62.00	59.00	57.00
85.0					67.00	69.00	63.00	67.00	54.00	65.00	63.00	58.00	55.00	54.00
90.0							60.00	62.00	52.00	62.00	60.00	55.00	52.00	51.00
95.0							55.00	57.00	49.00	58.00	57.00	52.00	50.00	48.00
100.0							50.00	52.00	47.00	53.00	53.00	50.00	47.00	46.00
105.0							46.00	48.00	45.00	49.00	49.00	47.00	44.00	43.40
110.0							42.40	46.00	42.40	45.00	45.00	45.00	42.20	41.20
115.0								44.00	40.60	42.00	41.60	42.40	40.20	39.20
120.0									39.00	40.00	38.60	39.20	37.80	37.20
125.0										37.20	35.80	36.40	35.00	34.40
130.0										34.80	33.20	33.80	32.40	32.00
135.0											31.00	31.60	30.00	29.60
140.0											28.80	29.40	27.80	27.40
145.0											26.80	27.40	25.80	25.40
150.0											25.00	25.60	24.00	23.40
155.0												23.80	22.20	21.80
160.0												22.20	20.60	20.20
165.0													19.00	18.60
170.0													17.60	17.20
175.0													16.40	16.00
180.0														14.80

THIS CHART IS ONLY A GUIDE AND SHOULD NOT BE USED TO OPERATE THE CRANE.

The individual crane's load chart, operating instructions and other instructional plates must be read and understood prior to operating the crane

LOAD CHART

Main Boom



51 ft - 197 ft
(15,4 m - 60,0 m)



165,300 lb
(75 t)



28.5 ft x 27.8 ft
(8,7 m x 8,5m)



360°



Pounds

Feet	50.5	66.6	82.6	87.3	98.7	114.8	123.9	130.9	139.9	147.0	163.0	179.1	192.4	196.9
10.0	484.00													
15.0	384.00	386.00												
20.0	314.00	316.00	314.00	256.00	300.00	262.00								
25.0	264.00	266.00	268.00	226.00	264.00	254.00		184.00						
30.0	218.00	220.00	220.00	200.00	224.00	220.00	170.00	168.00	124.00	147.00	126.00			
35.0	179.00	184.00	186.00	178.00	185.00	182.00	153.00	154.00	113.00	136.00	120.00	105.00		
40.0		156.00	157.00	152.00	157.00	154.00	139.00	143.00	103.00	125.00	113.00	102.00	88.00	84.00
45.0		134.00	136.00	131.00	135.00	133.00	123.00	131.00	95.00	115.00	105.00	97.00	88.00	84.00
50.0		118.00	119.00	114.00	119.00	116.00	106.00	115.00	87.00	106.00	98.00	91.00	84.00	82.00
55.0			105.00	99.00	105.00	103.00	96.00	102.00	81.00	94.00	91.00	85.00	80.00	78.00
60.0			93.00	88.00	92.00	96.00	88.00	91.00	75.00	88.00	85.00	79.00	75.00	73.00
65.0			82.00	80.00	81.00	85.00	80.00	82.00	70.00	81.00	78.00	74.00	70.00	69.00
70.0			74.00	75.00	74.00	76.00	71.00	73.00	65.00	73.00	71.00	69.00	66.00	65.00
75.0					69.00	68.00	63.00	66.00	61.00	66.00	65.00	64.00	61.00	60.00
80.0					62.00	61.00	57.00	62.00	58.00	61.00	59.00	59.00	56.00	55.00
85.0					56.00	55.00	51.00	56.00	54.00	55.00	54.00	54.00	51.00	51.00
90.0						50.00	46.00	51.00	52.00	50.00	50.00	49.00	47.00	46.00
95.0						47.00	43.60	47.00	47.00	46.00	46.00	45.00	43.40	42.80
100.0							41.60	42.80	43.60	41.80	42.00	41.00	39.60	39.00
105.0							39.40	39.40	40.00	38.20	38.60	37.60	36.00	35.60
110.0							37.20	36.20	37.00	35.20	35.40	34.40	32.80	32.40
115.0								33.40	34.00	32.20	32.60	31.60	30.00	29.60
120.0									31.40	29.80	30.00	29.00	27.40	27.00
125.0										27.40	27.60	26.60	25.00	24.60
130.0										25.20	25.40	23.20	22.80	22.40
135.0											23.60	22.40	20.80	20.40
140.0											21.80	20.60	19.00	18.60
145.0												19.00	17.40	17.00
150.0												17.40	15.80	15.40
155.0												16.00	14.40	14.00
160.0												14.60	13.00	12.60
165.0													11.80	11.40
170.0													10.60	10.20
175.0													9.60	9.00
180.0														8.00

THIS CHART IS ONLY A GUIDE AND SHOULD NOT BE USED TO OPERATE THE CRANE.

The individual crane's load chart, operating instructions and other instructional plates must be read and understood prior to operating the crane

LOAD CHART

Main Boom



51 ft - 197 ft
(15,4 m - 60,0 m)



121,200 lb
(55 t)



28.5 ft x 27.8 ft
(8,7 m x 8,5m)



360°



Pounds

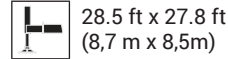
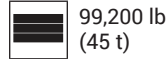
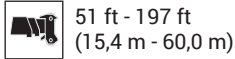
Feet	50.5	66.6	82.6	87.3	98.7	114.8	123.9	130.9	139.9	147.0	163.0	179.1	192.4	196.9
10.0	476.00													
15.0	376.00	378.00												
20.0	308.00	308.00	310.00	256.00	300.00	262.00								
25.0	246.00	248.00	248.00	226.00	244.00	226.00		177.00	184.00					
30.0	194.00	199.00	201.00	191.00	191.00	179.00	166.00	161.00	168.00	147.00	126.00			
35.0	159.00	164.00	165.00	154.00	157.00	147.00	137.00	144.00	144.00	133.00	120.00	105.00		
40.0		134.00	137.00	128.00	131.00	130.00	122.00	122.00	122.00	118.00	113.00	102.00	88.00	84.00
45.0		111.00	113.00	111.00	112.00	112.00	104.00	105.00	105.00	102.00	99.00	95.00	88.00	84.00
50.0		93.00	95.00	98.00	99.00	97.00	91.00	95.00	94.00	91.00	87.00	85.00	81.00	80.00
55.0			81.00	84.00	86.00	84.00	80.00	84.00	84.00	80.00	79.00	75.00	72.00	71.00
60.0			72.00	73.00	74.00	73.00	69.00	74.00	74.00	72.00	70.00	67.00	64.00	63.00
65.0			63.00	64.00	65.00	64.00	63.00	65.00	65.00	64.00	63.00	60.00	57.00	56.00
70.0			56.00	57.00	58.00	57.00	59.00	57.00	58.00	57.00	57.00	54.00	52.00	51.00
75.0					51.00	52.00	53.00	51.00	51.00	50.00	51.00	49.00	47.00	46.00
80.0					46.00	46.00	47.00	45.00	46.00	45.00	45.00	44.00	42.20	41.40
85.0					41.40	41.60	43.40	40.80	41.20	40.20	40.60	39.40	38.00	37.40
90.0						37.60	38.40	36.80	37.20	36.20	36.40	35.40	33.80	33.40
95.0						34.00	34.80	33.20	33.60	32.60	32.80	31.80	30.20	29.80
100.0							31.60	30.00	30.40	29.40	29.60	28.60	27.00	26.60
105.0							28.60	27.20	27.60	26.40	26.80	25.80	24.20	23.80
110.0							26.00	24.60	25.00	24.00	24.20	23.20	21.60	21.20
115.0								22.40	22.80	21.60	21.80	20.80	19.40	18.80
120.0										19.60	19.80	18.80	17.20	16.80
125.0										17.60	17.80	16.80	15.20	14.80
130.0										16.00	16.20	15.00	13.60	13.20
135.0											14.60	13.40	12.00	11.60
140.0											13.20	12.00	10.40	10.00
145.0											10.20	10.60	9.00	8.60
150.0											9.00	9.40	7.80	7.40
155.0												8.20	6.60	6.20
160.0												7.20	5.60	5.20
165.0													4.60	4.20
170.0													3.60	

THIS CHART IS ONLY A GUIDE AND SHOULD NOT BE USED TO OPERATE THE CRANE.

The individual crane's load chart, operating instructions and other instructional plates must be read and understood prior to operating the crane

LOAD CHART

Main Boom



Pounds

Feet	50.5	66.6	82.6	87.3	98.7	114.8	123.9	130.9	139.9	147.0	163.0	179.1	192.4	196.9					
10.0	470.00																		
15.0	372.00	374.00																	
20.0	300.00	302.00	302.00	256.00	292.00	262.00													
25.0	232.00	234.00	234.00	219.00	218.00	201.00		184.00											
30.0	183.00	188.00	181.00	169.00	170.00	159.00	152.00	154.00	124.00	142.00	126.00								
35.0	138.00	146.00	147.00	137.00	139.00	136.00	128.00	128.00	113.00	123.00	118.00	105.00							
40.0		116.00	119.00	117.00	118.00	115.00	107.00	111.00	103.00	106.00	102.00	98.00	88.00	84.00					
45.0		95.00	99.00	100.00	102.00	98.00	92.00	96.00	95.00	91.00	89.00	85.00	81.00	79.00					
50.0		79.00	83.00	84.00	86.00	85.00	83.00	84.00	83.00	80.00	78.00	74.00	71.00	69.00					
55.0			71.00	72.00	73.00	74.00	75.00	73.00	73.00	70.00	69.00	66.00	62.00	61.00					
60.0			61.00	62.00	64.00	64.00	65.00	63.00	64.00	62.00	61.00	58.00	55.00	54.00					
65.0			53.00	54.00	55.00	56.00	57.00	55.00	56.00	54.00	55.00	52.00	49.00	48.00					
70.0			47.00	47.00	49.00	49.00	50.00	49.00	50.00	48.00	48.00	47.00	44.00	43.20					
75.0					43.20	43.40	44.00	43.00	43.80	42.00	42.40	41.20	39.40	38.60					
80.0					38.40	38.60	39.40	38.20	39.00	37.20	37.60	36.40	35.00	34.40					
85.0					34.20	34.40	35.20	34.00	34.80	33.00	33.40	32.20	30.80	30.20					
90.0						30.80	31.60	30.40	31.20	29.40	29.60	28.60	27.20	26.60					
95.0						27.60	28.40	27.20	28.00	26.20	26.40	25.40	23.80	23.40					
100.0							25.40	24.40	25.00	23.40	23.60	22.60	21.00	20.60					
105.0								23.00	21.80	22.60	20.80	21.00	20.00	18.40	18.00				
110.0								20.60	19.60	20.20	18.60	18.80	17.80	16.20	15.80				
115.0									17.60	18.20	16.40	16.80	15.60	14.20	13.80				
120.0										16.40	14.60	14.80	13.80	12.40	11.80				
125.0											13.00	13.20	12.20	10.60	10.20				
130.0												11.40	10.60	9.00	8.60				
135.0													10.20	9.20	7.60	7.20			
140.0														9.00	7.80	6.20	5.80		
145.0															6.20	6.60	5.00	4.60	
150.0																5.00	5.60	4.00	4.60
155.0																	4.60		
160.0																		3.60	

THIS CHART IS ONLY A GUIDE AND SHOULD NOT BE USED TO OPERATE THE CRANE.

The individual crane's load chart, operating instructions and other instructional plates must be read and understood prior to operating the crane

LOAD CHART

Main Boom



51 ft - 197 ft
(15,4 m - 60,0 m)



77,100 lb
(35 t)



28.5 ft x 27.8 ft
(8,7 m x 8,5m)



360°



Pounds

Feet	50.5	66.6	82.6	87.3	98.7	114.8	123.9	130.9	139.9	147.0	163.0	179.1	192.4	196.9
10.0	466.00													
15.0	368.00	370.00												
20.0	288.00	292.00	276.00	256.00	256.00	232.00	157.00							
25.0	217.00	216.00	204.00	190.00	189.00	175.00	138.00	168.00						
30.0	153.00	161.00	157.00	152.00	148.00	137.00	134.00	135.00	124.00	130.00	122.00			
35.0	115.00	122.00	126.00	123.00	125.00	118.00	110.00	114.00	112.00	108.00	102.00	99.00		
40.0		96.00	101.00	102.00	104.00	100.00	99.00	96.00	95.00	91.00	86.00	84.00	79.00	78.00
45.0		78.00	82.00	84.00	85.00	86.00	86.00	82.00	81.00	78.00	74.00	72.00	68.00	67.00
50.0		65.00	69.00	70.00	71.00	72.00	73.00	71.00	71.00	68.00	64.00	63.00	59.00	58.00
55.0			58.00	59.00	60.00	61.00	62.00	60.00	61.00	59.00	56.00	55.00	52.00	51.00
60.0			49.00	50.00	52.00	52.00	53.00	52.00	53.00	51.00	49.00	48.00	45.00	44.00
65.0			42.40	43.40	45.00	45.00	46.00	45.00	46.00	43.80	42.20	42.60	39.60	38.80
70.0			36.80	37.80	39.00	39.40	40.20	39.00	39.80	38.00	36.40	37.20	35.00	34.20
75.0					34.20	34.40	35.40	34.00	34.80	33.00	31.40	32.20	30.80	30.20
80.0					30.00	30.20	31.20	29.80	30.60	28.80	27.40	28.20	26.60	26.20
85.0					26.40	26.60	27.40	26.20	27.00	25.20	23.80	24.40	23.00	22.40
90.0						23.40	24.20	23.00	23.80	22.00	20.60	21.40	19.80	19.40
95.0						20.60	21.40	20.40	21.00	19.20	17.80	18.60	17.00	16.60
100.0							19.00	17.80	18.60	16.80	15.40	16.00	14.60	14.20
105.0							16.80	15.60	16.40	14.60	13.20	13.80	12.40	12.00
110.0							14.80	13.80	14.40	12.60	11.20	12.00	10.40	10.00
115.0								12.00	12.60	11.00	9.40	10.20	8.60	8.20
120.0									11.20	9.40	7.80	8.60	7.00	6.60
125.0										7.80	6.40	7.00	5.60	5.20
130.0											5.20	5.80	4.20	3.80
135.0											4.00	4.60		

THIS CHART IS ONLY A GUIDE AND SHOULD NOT BE USED TO OPERATE THE CRANE.

The individual crane's load chart, operating instructions and other instructional plates must be read and understood prior to operating the crane

LOAD CHART

Main Boom



51 ft - 197 ft
(15,4 m - 60,0 m)



55,100 lb
(25 t)



28.5 ft x 27.8 ft
(8,7 m x 8,5m)



360°



Pounds

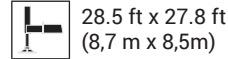
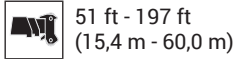
Feet	50.5	66.6	82.6	87.3	98.7	114.8	123.9	130.9	139.9	147.0	163.0	179.1	192.4	196.9
10.0	462.00													
15.0	364.00	366.00												
20.0	270.00	258.00	242.00	224.00	220.00	201.00	157.00							
25.0	182.00	186.00	175.00	162.00	163.00	152.00	138.00	149.00						
30.0	125.00	133.00	136.00	136.00	131.00	125.00	124.00	118.00	116.00	111.00	107.00			
35.0	92.00	100.00	105.00	106.00	107.00	102.00	102.00	97.00	96.00	92.00	89.00	84.00		
40.0		78.00	82.00	84.00	85.00	85.00	85.00	81.00	80.00	77.00	74.00	70.00	65.00	64.00
45.0		62.00	66.00	68.00	69.00	70.00	71.00	68.00	68.00	65.00	63.00	59.00	55.00	54.00
50.0		51.00	55.00	56.00	57.00	58.00	59.00	57.00	58.00	55.00	54.00	51.00	47.00	46.00
55.0			46.00	47.00	48.00	48.00	49.00	48.00	49.00	47.00	47.00	43.80	40.60	39.60
60.0			38.40	39.40	40.80	41.00	42.20	40.60	41.60	39.60	40.00	38.00	35.00	34.20
65.0			27.60	33.40	34.80	35.00	36.00	34.60	35.60	33.60	34.00	33.00	30.40	29.60
70.0				28.60	29.80	30.20	31.00	29.80	30.60	28.80	29.00	28.00	26.40	25.60
75.0					25.60	26.00	26.80	25.60	26.40	24.60	24.80	23.80	22.20	21.80
80.0					22.20	22.40	23.20	22.00	22.80	21.00	21.40	20.20	18.60	18.20
85.0					19.00	19.20	20.20	18.80	19.60	17.80	18.20	17.20	15.60	15.20
90.0						16.60	17.40	16.20	17.00	15.20	15.60	14.40	13.00	12.40
95.0						14.20	15.00	13.80	14.60	12.80	13.20	12.00	10.60	10.20
100.0							13.00	11.80	12.60	10.80	11.00	10.00	8.40	8.00
105.0								11.00	10.00	10.60	8.80	9.20	8.00	6.60
110.0								9.40	8.20	9.00	7.20	7.40	6.40	5.00
115.0									6.80	7.40	5.60	6.00	5.00	
120.0										6.20	4.40	4.60	3.60	

THIS CHART IS ONLY A GUIDE AND SHOULD NOT BE USED TO OPERATE THE CRANE.

The individual crane's load chart, operating instructions and other instructional plates must be read and understood prior to operating the crane

LOAD CHART

Main Boom



Pounds

Feet	50.5	66.6	82.6	87.3	98.7	114.8	123.9	130.9	139.9	147.0	163.0	179.1	192.4	196.9
10.0	456.00													
15.0	358.00	360.00												
20.0	234.00	220.00	203.00	195.00	185.00	167.00	157.00							
25.0	142.00	152.00	148.00	147.00	141.00	133.00	131.00	129.00						
30.0	95.00	104.00	109.00	111.00	109.00	104.00	103.00	102.00	95.00	91.00	87.00			
35.0	69.00	77.00	81.00	83.00	84.00	83.00	82.00	81.00	77.00	73.00	70.00	66.00		
40.0		58.00	63.00	64.00	66.00	66.00	67.00	67.00	63.00	60.00	58.00	54.00	50.00	49.00
45.0		46.00	50.00	51.00	53.00	53.00	54.00	54.00	53.00	50.00	48.00	45.00	41.40	40.40
50.0		36.20	40.20	41.40	42.80	43.20	44.00	44.00	43.80	41.80	40.80	37.80	34.40	33.40
55.0			32.80	33.80	35.20	35.60	36.60	36.60	36.20	34.20	34.40	31.60	28.60	27.80
60.0			26.80	27.80	29.20	29.60	30.60	30.60	30.00	28.20	28.60	26.60	23.80	23.00
65.0			22.00	23.00	24.40	24.60	25.60	25.60	25.20	23.20	23.60	22.40	19.80	19.00
70.0			18.00	19.00	20.20	20.60	21.60	21.60	21.00	19.20	19.60	18.40	16.20	15.60
75.0					16.80	17.00	18.00	18.00	17.60	15.80	16.00	15.00	13.40	12.60
80.0					14.00	14.20	15.00	15.00	14.60	12.80	13.20	12.00	10.60	10.00
85.0					11.40	11.60	12.40	12.40	12.00	10.20	10.60	9.60	8.00	7.60
90.0						9.40	10.20	10.20	9.80	8.00	8.40	7.40	5.80	5.40
95.0						7.40	8.20	8.20	7.80	6.00	6.40	5.40	3.80	
100.0							6.60	6.60	6.20	4.40	4.60	3.60		
105.0							5.00	5.00	4.60					
110.0							3.60	3.60						

THIS CHART IS ONLY A GUIDE AND SHOULD NOT BE USED TO OPERATE THE CRANE.

The individual crane's load chart, operating instructions and other instructional plates must be read and understood prior to operating the crane

LOAD CHART

Main Boom



51 ft - 197 ft
(15,4 m - 60,0 m)



0 lb
(0 t)



28.5 ft x 27.8 ft
(8,7 m x 8,5m)



360°



Pounds

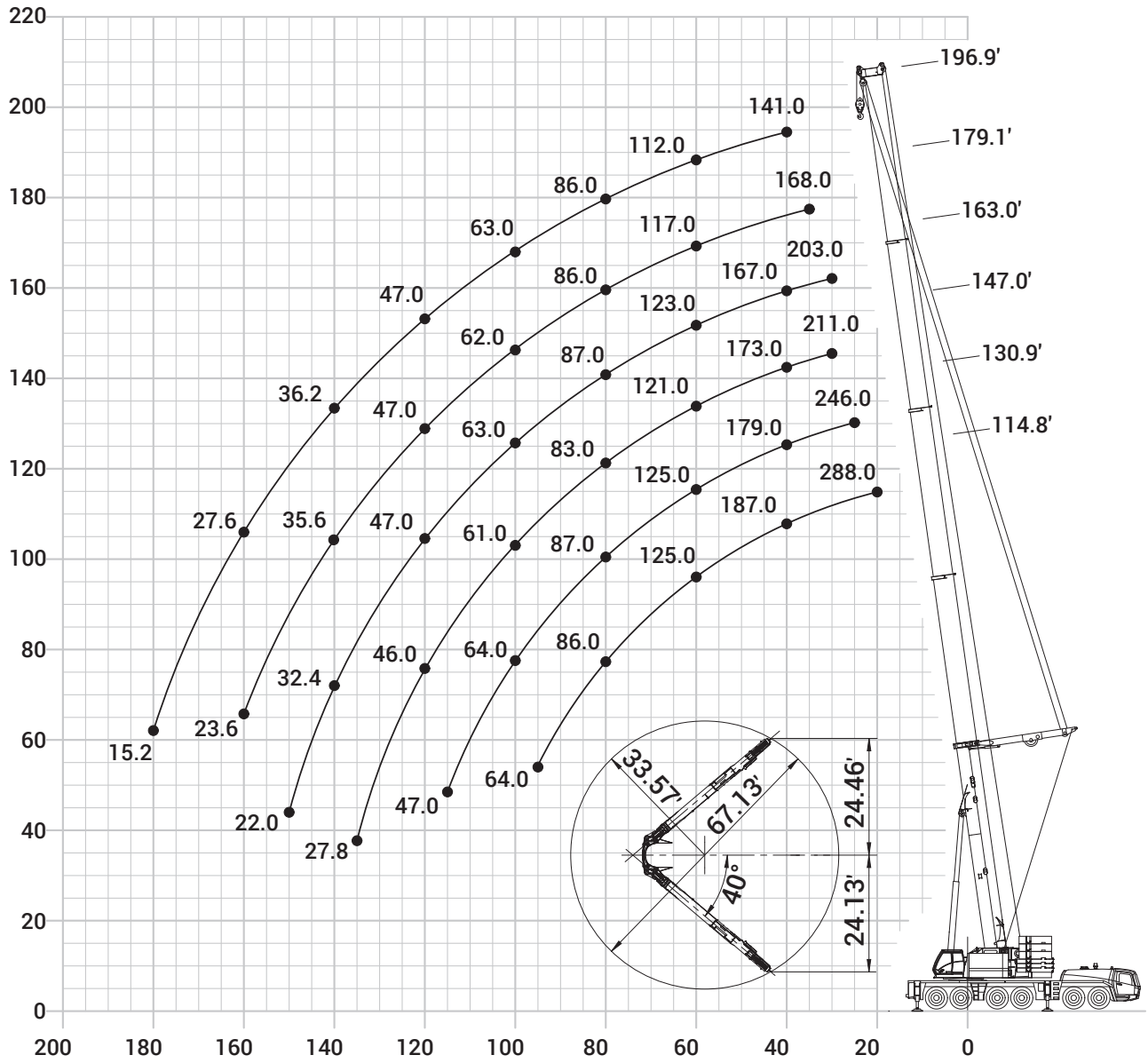
Feet	50.5	66.6	82.6	87.3	98.7	114.8	123.9	130.9	139.9	147.0	163.0
10.0	448.00										
15.0	304.00	266.00									
20.0	140.00	153.00	145.00	143.00	135.00	124.00	122.00				
25.0	80.00	90.00	96.00	97.00	93.00	87.00	86.00	80.00			
30.0	50.00	59.00	64.00	65.00	67.00	63.00	63.00	58.00	57.00	53.00	51.00
35.0	33.00	40.80	45.00	47.00	50.00	47.00	47.00	43.40	43.00	39.40	38.80
40.0		28.60	33.20	34.40	37.00	35.80	36.20	33.20	33.00	29.80	29.60
45.0		20.20	24.40	25.60	28.20	27.60	28.20	25.60	25.80	22.80	22.80
50.0		14.00	18.00	19.20	21.40	21.00	22.00	19.80	20.20	17.40	17.60
55.0			13.00	14.20	16.40	15.80	17.00	15.40	15.60	13.20	13.40
60.0			9.00	10.20	12.40	11.80	12.80	11.40	12.00	9.60	10.00
65.0			5.80	6.80	9.00	8.60	9.60	8.20	9.00	6.80	7.00
70.0				4.20	6.40	5.80	6.80	5.40	6.20	4.40	4.60
75.0					4.00	3.40	4.40		4.00		

THIS CHART IS ONLY A GUIDE AND SHOULD NOT BE USED TO OPERATE THE CRANE.

The individual crane's load chart, operating instructions and other instructional plates must be read and understood prior to operating the crane

WORKING RANGE

Main Boom and MegaWingLift™



THIS CHART IS ONLY A GUIDE AND SHOULD NOT BE USED TO OPERATE THE CRANE.

The individual crane's load chart, operating instructions and other instructional plates must be read and understood prior to operating the crane

LOAD CHART

Main Boom and MegaWingLift™



51 ft - 197 ft
(15,4 m - 60,0 m)



297,600 lb
(135 t)



28.5 ft x 27.8 ft
(8,7 m x 8,5m)



360°



Pounds

Feet	114.8	130.9	147.0	163.0	179.1	196.9
25.0		240.00				
30.0	226.00	212.00	206.00	203.00		
35.0	204.00	196.00	190.00	184.00	168.00	
40.0	187.00	179.00	172.00	167.00	161.00	141.00
45.0	168.00	165.00	158.00	153.00	147.00	132.00
50.0	151.00	152.00	147.00	141.00	135.00	125.00
55.0	137.00	138.00	137.00	131.00	126.00	118.00
60.0	125.00	125.00	125.00	123.00	117.00	112.00
65.0	113.00	114.00	114.00	113.00	110.00	106.00
70.0	103.00	104.00	104.00	104.00	103.00	100.00
75.0	94.00	95.00	95.00	95.00	94.00	94.00
80.0	86.00	87.00	87.00	87.00	86.00	86.00
85.0	79.00	80.00	80.00	80.00	79.00	79.00
90.0	73.00	74.00	74.00	73.00	73.00	73.00
95.0	64.00	68.00	68.00	68.00	67.00	68.00
100.0		64.00	63.00	63.00	62.00	63.00
105.0		59.00	59.00	58.00	58.00	58.00
110.0		51.00	55.00	54.00	54.00	54.00
115.0		47.00	51.00	51.00	50.00	50.00
120.0			47.00	47.00	47.00	47.00
125.0			41.40	44.00	43.40	44.00
130.0			38.00	41.60	40.60	41.20
135.0				37.60	38.00	38.60
140.0				32.40	35.60	36.20
145.0				30.60	33.20	33.80
150.0				22.00	29.20	31.80
155.0					25.80	29.80
160.0					23.60	27.60
165.0						24.40
170.0						20.80
175.0						20.40
180.0						15.20

THIS CHART IS ONLY A GUIDE AND SHOULD NOT BE USED TO OPERATE THE CRANE.

The individual crane's load chart, operating instructions and other instructional plates must be read and understood prior to operating the crane

LOAD CHART

Main Boom and MegaWingLift™



51 ft - 197 ft
(15,4 m - 60,0 m)



253,500 lb
(115 t)



28.5 ft x 27.8 ft
(8,7 m x 8,5m)



360°



Pounds

Feet	114.8	130.9	147.0	163.0	179.1	196.9
20.0	288.00					
25.0	254.00	246.00				
30.0	226.00	218.00	211.00	203.00		
35.0	204.00	196.00	190.00	184.00	168.00	
40.0	185.00	179.00	172.00	167.00	161.00	141.00
45.0	164.00	165.00	158.00	153.00	147.00	132.00
50.0	145.00	146.00	146.00	141.00	135.00	125.00
55.0	129.00	130.00	130.00	130.00	126.00	118.00
60.0	116.00	116.00	116.00	116.00	115.00	112.00
65.0	104.00	105.00	105.00	104.00	103.00	104.00
70.0	94.00	95.00	95.00	94.00	93.00	94.00
75.0	85.00	86.00	86.00	86.00	85.00	85.00
80.0	78.00	79.00	79.00	78.00	77.00	78.00
85.0	72.00	72.00	72.00	72.00	71.00	72.00
90.0	66.00	67.00	66.00	66.00	65.00	66.00
95.0	61.00	61.00	61.00	61.00	60.00	61.00
100.0		57.00	57.00	56.00	55.00	56.00
105.0		53.00	53.00	52.00	51.00	52.00
110.0		49.00	49.00	48.00	48.00	48.00
115.0		46.00	45.00	45.00	44.00	45.00
120.0			42.40	42.00	41.00	41.60
125.0			39.60	39.00	38.20	38.80
130.0			37.00	36.40	35.60	36.20
135.0				34.00	33.20	33.60
140.0				31.80	30.80	31.40
145.0				29.80	28.60	29.40
150.0				22.00	26.40	27.00
155.0					24.20	25.00
160.0					22.20	23.00
165.0						21.00
170.0						19.40
175.0						17.80
180.0						15.20

THIS CHART IS ONLY A GUIDE AND SHOULD NOT BE USED TO OPERATE THE CRANE.

The individual crane's load chart, operating instructions and other instructional plates must be read and understood prior to operating the crane

LOAD CHART

Main Boom and MegaWingLift™



51 ft - 197 ft
(15,4 m - 60,0 m)



209,400 lb
(95 t)



28.5 ft x 27.8 ft
(8,7 m x 8,5m)



360°



Pounds

Feet	114.8	130.9	147.0	163.0	179.1	196.9
20.0	292.00					
25.0	254.00	246.00				
30.0	226.00	218.00	211.00	203.00		
35.0	204.00	196.00	190.00	184.00	168.00	
40.0	176.00	176.00	172.00	167.00	161.00	141.00
45.0	152.00	153.00	153.00	151.00	145.00	132.00
50.0	133.00	133.00	133.00	132.00	127.00	124.00
55.0	117.00	118.00	118.00	117.00	113.00	111.00
60.0	104.00	105.00	105.00	104.00	101.00	99.00
65.0	93.00	94.00	94.00	94.00	91.00	89.00
70.0	84.00	85.00	85.00	85.00	82.00	81.00
75.0	76.00	77.00	77.00	77.00	75.00	74.00
80.0	70.00	70.00	70.00	70.00	68.00	67.00
85.0	64.00	64.00	64.00	64.00	62.00	61.00
90.0	58.00	59.00	59.00	59.00	57.00	56.00
95.0	54.00	54.00	54.00	54.00	52.00	52.00
100.0		50.00	50.00	49.00	48.00	48.00
105.0		46.00	46.00	45.00	43.80	43.80
110.0		41.80	41.60	41.00	39.80	40.40
115.0		38.20	38.00	37.40	36.20	37.00
120.0			34.60	34.20	33.00	33.80
125.0			31.60	31.20	30.00	30.80
130.0			29.00	28.40	27.20	28.00
135.0				25.80	24.60	25.40
140.0				23.60	22.40	23.20
145.0				21.40	20.20	21.00
150.0				19.66	18.20	19.00
155.0					16.40	17.00
160.0					14.80	15.40
165.0						13.80
170.0						12.20
175.0						10.80
180.0						9.60

THIS CHART IS ONLY A GUIDE AND SHOULD NOT BE USED TO OPERATE THE CRANE.

The individual crane's load chart, operating instructions and other instructional plates must be read and understood prior to operating the crane

LOAD CHART

Main Boom and MegaWingLift™



51 ft - 197 ft
(15,4 m - 60,0 m)



165,300 lb
(75 t)



28.5 ft x 27.8 ft
(8,7 m x 8,5m)



360°



Pounds

Feet	114.8	130.9	147.0	163.0	179.1	196.9
20.0	292.00					
25.0	254.00	246.00				
30.0	226.00	218.00	211.00	199.00		
35.0	189.00	186.00	178.00	170.00	162.00	
40.0	159.00	157.00	151.00	145.00	139.00	135.00
45.0	136.00	135.00	130.00	125.00	120.00	117.00
50.0	119.00	118.00	114.00	110.00	105.00	103.00
55.0	105.00	104.00	100.00	97.00	93.00	91.00
60.0	93.00	92.00	89.00	86.00	83.00	81.00
65.0	83.00	82.00	80.00	77.00	74.00	72.00
70.0	73.00	74.00	72.00	69.00	66.00	65.00
75.0	64.00	65.00	65.00	62.00	60.00	59.00
80.0	57.00	58.00	58.00	56.00	54.00	53.00
85.0	51.00	52.00	52.00	51.00	49.00	48.00
90.0	46.00	47.00	46.00	46.00	44.00	43.80
95.0	40.80	41.80	41.60	41.00	40.00	39.80
100.0		37.60	37.40	36.80	35.80	36.20
105.0		33.80	33.60	33.00	31.80	32.80
110.0		30.40	30.20	29.60	28.40	29.40
115.0		27.40	27.20	26.60	25.40	26.20
120.0			24.40	23.80	22.60	23.40
125.0			21.80	21.20	20.00	20.80
130.0			19.60	19.00	17.80	18.60
135.0				16.80	15.60	16.40
140.0				14.80	13.60	14.40
145.0				13.00	11.80	12.60
150.0				11.40	10.20	10.80
155.0					8.60	9.20
160.0					7.20	7.80
165.0						6.40
170.0						5.20
175.0						4.00

THIS CHART IS ONLY A GUIDE AND SHOULD NOT BE USED TO OPERATE THE CRANE.

The individual crane's load chart, operating instructions and other instructional plates must be read and understood prior to operating the crane

LOAD CHART

Main Boom and MegaWingLift™



51 ft - 197 ft
(15,4 m - 60,0 m)



121,200 lb
(55 t)



28.5 ft x 27.8 ft
(8,7 m x 8,5m)



360°



Pounds


Feet	114.8	130.9	147.0	163.0	179.1	196.9
20.0	292.00					
25.0	244.00	230.00				
30.0	192.00	184.00	175.00	166.00		
35.0	157.00	152.00	145.00	138.00	132.00	
40.0	131.00	127.00	122.00	117.00	112.00	108.00
45.0	112.00	109.00	105.00	101.00	96.00	93.00
50.0	97.00	94.00	91.00	87.00	83.00	81.00
55.0	84.00	82.00	79.00	76.00	73.00	71.00
60.0	72.00	72.00	70.00	67.00	64.00	63.00
65.0	62.00	63.00	62.00	60.00	57.00	56.00
70.0	54.00	55.00	55.00	53.00	50.00	50.00
75.0	47.00	48.00	48.00	47.00	45.00	44.00
80.0	41.00	42.20	42.00	41.60	39.80	39.40
85.0	36.00	37.00	36.80	36.40	35.20	35.20
90.0	31.40	32.60	32.40	31.80	30.80	31.60
95.0	27.60	29.60	28.40	27.80	26.80	27.60
100.0		25.00	25.00	24.40	23.20	24.20
105.0		22.00	21.80	21.20	20.00	21.00
110.0		19.20	19.00	18.40	17.20	18.20
115.0		16.60	16.40	15.80	14.80	15.60
120.0			14.20	13.60	12.40	13.20
125.0			12.00	11.60	10.40	11.20
130.0			10.20	9.60	8.40	9.20
135.0				7.80	6.60	7.40
140.0				6.20	5.00	5.80
145.0				4.80	3.60	4.20


THIS CHART IS ONLY A GUIDE AND SHOULD NOT BE USED TO OPERATE THE CRANE.


The individual crane's load chart, operating instructions and other instructional plates must be read and understood prior to operating the crane

LOAD CHART

Main Boom and MegaWingLift™

 51 ft - 197 ft
(15,4 m - 60,0 m)

 99,200 lb
(45 t)

 28.5 ft x 27.8 ft
(8,7 m x 8,5m)

 360°



Pounds

Feet	114.8	130.9	147.0	163.0	179.1	196.9
20.0	292.00					
25.0	219.00	208.00				
30.0	172.00	165.00	157.00	149.00		
35.0	140.00	135.00	129.00	123.00	117.00	
40.0	117.00	113.00	108.00	104.00	98.00	96.00
45.0	99.00	96.00	93.00	89.00	84.00	82.00
50.0	85.00	83.00	80.00	76.00	73.00	71.00
55.0	72.00	72.00	69.00	66.00	63.00	62.00
60.0	61.00	62.00	61.00	58.00	55.00	54.00
65.0	52.00	53.00	53.00	51.00	48.00	48.00
70.0	45.00	46.00	46.00	45.00	42.60	42.00
75.0	38.60	39.80	39.60	39.20	37.60	37.20
80.0	33.40	34.40	34.20	33.80	32.60	32.80
85.0	28.80	29.80	29.60	29.20	28.00	28.80
90.0	24.80	25.80	25.60	25.00	24.00	24.80
95.0	21.20	22.20	22.00	21.60	20.40	21.20
100.0		19.00	19.00	18.40	17.20	18.00
105.0		16.20	16.00	15.60	14.40	15.20
110.0		13.80	13.60	13.00	11.80	12.80
115.0		11.60	11.20	10.80	9.60	10.80
120.0			9.20	8.60	7.60	8.40
125.0			7.40	6.80	5.60	6.40
130.0			5.60	5.00	4.00	4.60
135.0				3.60		

THIS CHART IS ONLY A GUIDE AND SHOULD NOT BE USED TO OPERATE THE CRANE.

The individual crane's load chart, operating instructions and other instructional plates must be read and understood prior to operating the crane

LOAD CHART

Main Boom and MegaWingLift™



51 ft - 197 ft
(15,4 m - 60,0 m)



77,100 lb
(35 t)



28.5 ft x 27.8 ft
(8,7 m x 8,5m)



360°



Pounds

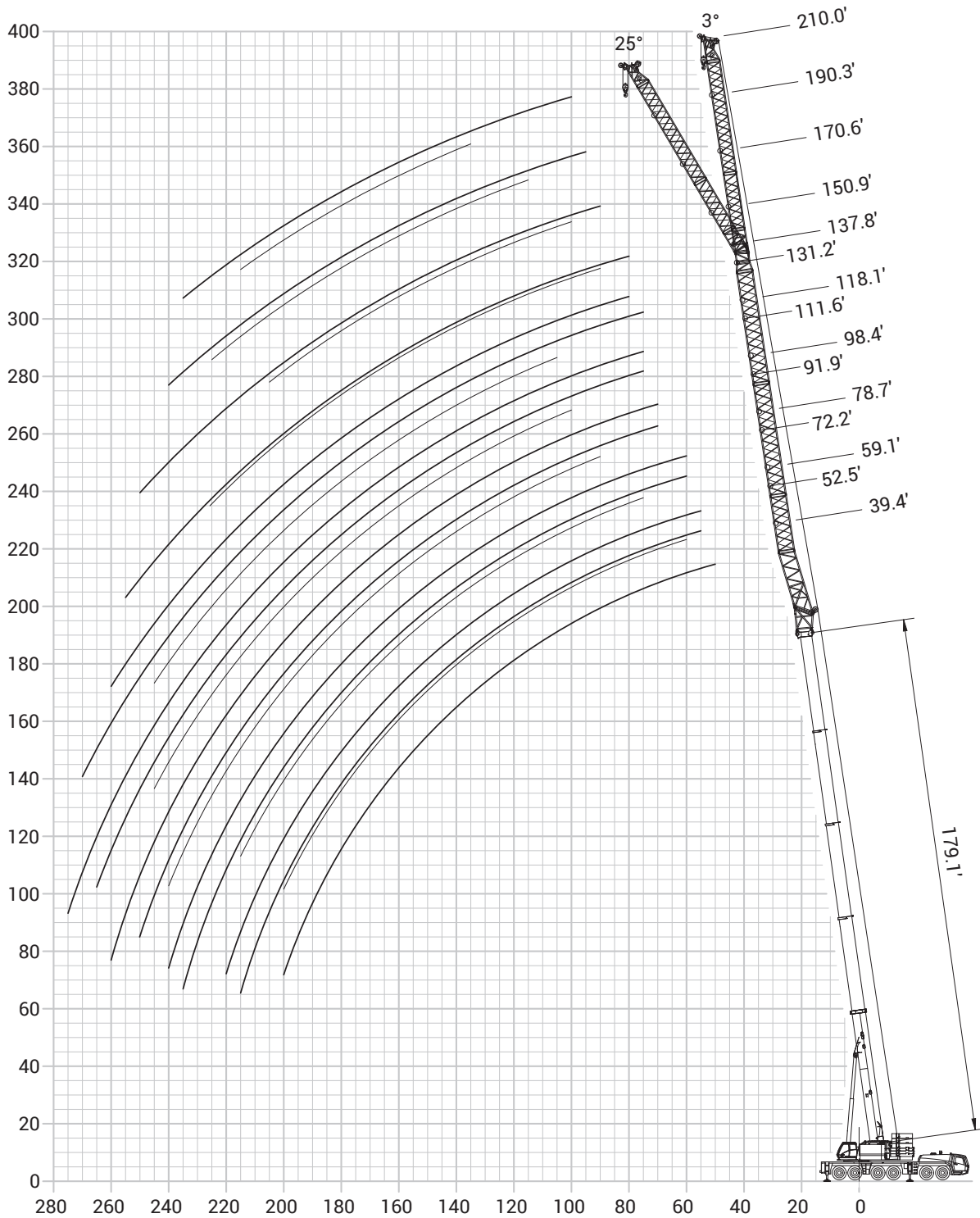
Feet	114.8	130.9	147.0	163.0	179.1	196.9
20.0	258.00					
25.0	192.00	182.00				
30.0	150.00	144.00	137.00	129.00		
35.0	122.00	117.00	112.00	107.00	101.00	
40.0	101.00	98.00	93.00	89.00	84.00	82.00
45.0	85.00	83.00	79.00	76.00	72.00	70.00
50.0	71.00	71.00	68.00	65.00	61.00	60.00
55.0	59.00	60.00	59.00	56.00	53.00	52.00
60.0	49.00	51.00	51.00	48.00	46.00	45.00
65.0	41.60	42.80	42.60	42.20	39.60	39.00
70.0	35.20	36.20	36.20	35.60	34.20	33.80
75.0	29.60	30.80	30.60	30.20	29.00	29.40
80.0	25.00	26.00	26.00	25.40	24.20	25.20
85.0	21.00	22.00	21.80	21.40	20.20	21.20
90.0	17.40	18.40	18.40	17.80	16.60	17.60
95.0	14.20	15.40	15.20	14.60	13.60	14.40
100.0		12.60	12.40	12.00	10.80	11.60
105.0		10.20	10.00	9.40	8.20	9.20
110.0		8.00	7.80	7.20	6.00	6.80
115.0		6.00	5.80	5.20	4.00	4.80
120.0			4.00			

THIS CHART IS ONLY A GUIDE AND SHOULD NOT BE USED TO OPERATE THE CRANE.

The individual crane's load chart, operating instructions and other instructional plates must be read and understood prior to operating the crane

LOAD CHART

Main Boom and Lattice Extension



THIS CHART IS ONLY A GUIDE AND SHOULD NOT BE USED TO OPERATE THE CRANE.

The individual crane's load chart, operating instructions and other instructional plates must be read and understood prior to operating the crane

LOAD CHART

Lattice Extension



163 ft
(49,69 m)



39.4 ft - 210 ft
(12 m - 64 m)



297,600 lb
(135 t)



28.5 ft x 27.8 ft
(8,7 m x 8,5m)



360°



Pounds

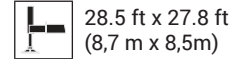
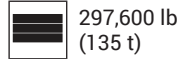
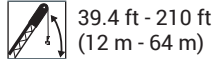
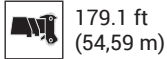
Feet	39.4	52.5	72.2	91.9	111.6	131.2	150.9	170.6	190.3	210.0
45.0	76.00									
50.0	74.00	66.00								
55.0	71.00	64.00	53.00							
60.0	67.00	62.00	53.00	40.60						
65.0	63.00	59.00	52.00	39.40						
70.0	59.00	55.00	50.00	38.20	32.20					
75.0	56.00	52.00	48.00	37.20	31.20	26.00	22.80			
80.0	52.00	49.00	45.00	36.00	30.20	25.20	22.00	18.60		
85.0	49.00	46.00	43.60	35.00	29.40	24.40	21.40	18.00		
90.0	46.00	43.00	41.40	34.00	28.40	23.60	20.60	17.40	15.00	
95.0	43.20	40.60	39.40	33.00	27.40	23.00	20.00	16.80	14.40	12.60
100.0	40.80	38.20	37.20	32.20	26.40	22.20	19.40	16.20	14.00	12.20
105.0	38.60	36.00	35.20	31.20	25.60	21.60	18.80	15.80	13.40	11.80
110.0	36.40	33.80	33.00	30.40	24.80	21.00	18.20	15.20	13.00	11.40
115.0	34.40	31.80	31.20	29.20	24.20	20.40	17.60	14.60	12.60	11.00
120.0	32.60	30.00	29.40	28.00	23.60	19.80	17.00	14.20	12.00	10.60
125.0	30.80	28.20	27.60	26.60	23.00	19.20	16.40	13.60	11.60	10.00
130.0	29.00	26.20	25.80	25.40	22.20	18.60	15.80	13.20	11.20	9.80
135.0	27.40	24.80	24.40	24.20	21.80	18.20	15.40	12.80	10.80	9.40
140.0	25.80	23.40	23.20	23.00	21.20	17.80	15.00	12.40	10.40	9.00
145.0	24.20	22.00	21.80	21.80	20.60	17.20	14.40	11.80	10.00	8.60
150.0	22.80	20.60	20.60	20.40	20.00	16.80	14.00	11.40	9.60	8.20
155.0	21.40	19.60	19.40	19.40	19.20	16.40	13.60	11.20	9.40	8.00
160.0	20.20	18.40	18.40	18.40	18.20	16.00	13.20	10.80	9.00	7.60
165.0	19.00	17.20	17.20	17.40	17.20	15.60	12.80	10.40	8.60	7.40
170.0	18.00	16.20	16.20	16.40	16.20	15.20	12.40	10.00	8.20	7.00
175.0	17.00	15.40	15.40	15.60	15.40	14.60	12.00	9.60	8.00	6.80
180.0	16.00	14.40	14.60	14.60	14.60	14.00	11.60	9.40	7.80	6.40
185.0	15.00	13.40	13.80	13.80	13.80	13.40	11.40	9.00	7.40	6.20
190.0	11.00	12.60	12.80	13.00	13.00	12.80	11.00	8.80	7.20	6.00
195.0		11.60	12.00	12.20	12.20	12.20	10.60	8.40	6.80	5.80
200.0			11.20	11.40	11.40	11.60	10.20	8.20	6.60	5.40
205.0			10.40	10.80	10.80	11.00	9.60	8.00	6.40	5.20
210.0			9.80	10.20	10.20	10.20	9.00	7.60	6.20	5.00
215.0			9.00	9.40	9.40	9.60	8.40	7.40	6.00	4.80
220.0			5.40	8.80	8.80	9.00	7.80	7.00	5.60	4.60
225.0				8.20	8.20	8.40	7.20	6.60	5.40	4.40
230.0				7.60	7.80	7.80	6.60	6.00	5.20	4.20
235.0				6.60	7.20	7.40	6.20	5.60	5.00	4.00
240.0					6.60	6.80	5.80	5.00	4.80	3.80
245.0					6.00	6.40	5.20	4.60	4.40	3.60
250.0					5.60	5.80	4.80	4.00	4.00	
255.0					3.80	5.40	4.20	3.60	3.60	
260.0						4.80	3.80			
265.0						4.40				
270.0						4.00				

THIS CHART IS ONLY A GUIDE AND SHOULD NOT BE USED TO OPERATE THE CRANE.

The individual crane's load chart, operating instructions and other instructional plates must be read and understood prior to operating the crane

LOAD CHART

Lattice Extension



Pounds

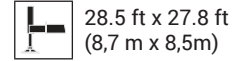
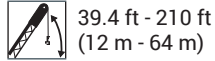
Feet	39.4	52.5	72.2	91.9	111.6	131.2	150.9	170.6	190.3	210.0
50.0	62.00									
55.0	61.00	53.00								
60.0	59.00	53.00	42.80							
65.0	57.00	51.00	42.80							
70.0	54.00	49.00	42.80	35.80						
75.0	52.00	47.00	41.40	35.00	29.80	24.40				
80.0	49.00	45.00	39.80	34.20	29.20	23.80	19.80			
85.0	46.00	42.80	38.20	33.60	28.40	23.20	19.80			
90.0	43.80	40.80	36.60	32.80	27.40	22.60	19.20	15.80		
95.0	41.40	38.60	35.20	31.60	26.60	22.00	18.80	15.60	13.20	
100.0	39.00	36.40	33.60	30.40	26.00	21.40	18.40	15.20	12.80	11.00
105.0	37.00	34.40	32.20	29.20	25.40	21.00	17.80	14.80	12.40	10.80
110.0	34.80	32.40	30.80	28.00	24.80	20.40	17.40	14.40	12.20	10.40
115.0	33.00	30.60	29.20	26.80	24.00	20.00	16.80	14.00	11.80	10.20
120.0	31.00	28.80	27.80	25.60	23.00	19.40	16.40	13.60	11.40	9.80
125.0	29.20	27.00	26.20	24.20	22.20	19.00	16.00	13.20	11.00	9.40
130.0	27.40	25.20	24.60	23.00	21.20	18.40	15.40	12.80	10.80	9.20
135.0	26.00	23.80	23.40	22.00	20.40	18.00	15.00	12.40	10.40	8.80
140.0	24.60	22.40	22.20	21.00	19.60	17.60	14.60	12.00	10.00	8.60
145.0	23.20	21.20	21.00	20.20	18.80	17.00	14.20	11.60	9.60	8.20
150.0	22.00	20.00	19.60	19.20	17.80	16.60	13.80	11.20	9.40	8.00
155.0	20.80	18.80	18.60	18.40	17.20	16.00	13.20	11.00	9.00	7.60
160.0	19.60	17.80	17.60	17.40	16.40	15.20	12.80	10.60	8.80	7.40
165.0	18.60	16.60	16.60	16.60	15.80	14.60	12.20	10.20	8.40	7.20
170.0	17.60	15.60	15.60	15.60	15.00	14.00	11.60	10.00	8.20	6.80
175.0	16.60	14.80	14.80	14.80	14.40	13.40	11.20	9.40	8.00	6.60
180.0	15.80	14.00	14.00	14.00	13.60	12.80	10.60	9.00	7.60	6.40
185.0	14.80	13.00	13.20	13.20	13.00	12.40	10.00	8.60	7.40	6.20
190.0	14.00	12.20	12.20	12.40	12.20	11.80	9.60	8.20	7.20	6.00
195.0	13.20	11.40	11.40	11.60	11.60	11.20	9.00	7.80	6.80	5.60
200.0	12.20	10.60	10.80	11.00	11.00	10.80	8.60	7.20	6.40	5.40
205.0		9.80	10.00	10.20	10.20	10.20	8.20	6.80	6.00	5.20
210.0		9.20	9.40	9.60	9.60	9.60	7.80	6.40	5.80	5.00
215.0		6.60	8.80	9.00	9.00	9.00	7.40	6.00	5.40	4.80
220.0			8.00	8.40	8.40	8.40	7.00	5.60	5.00	4.60
225.0			7.40	7.80	7.80	7.80	6.60	5.20	4.60	4.20
230.0			6.80	7.20	7.20	7.40	6.20	5.00	4.40	4.00
235.0			3.60	6.60	6.80	6.80	5.80	4.60	4.00	3.60
240.0				6.00	6.20	6.40	5.20	4.20	3.60	
245.0				5.60	5.80	5.80	4.80	4.00		
250.0				4.60	5.20	5.40	4.40	3.40		
255.0					4.80	4.80	3.80			
260.0					4.20	4.40				
265.0					3.80	4.00				
270.0						3.60				

THIS CHART IS ONLY A GUIDE AND SHOULD NOT BE USED TO OPERATE THE CRANE.

The individual crane's load chart, operating instructions and other instructional plates must be read and understood prior to operating the crane

LOAD CHART

Lattice Extension



Pounds

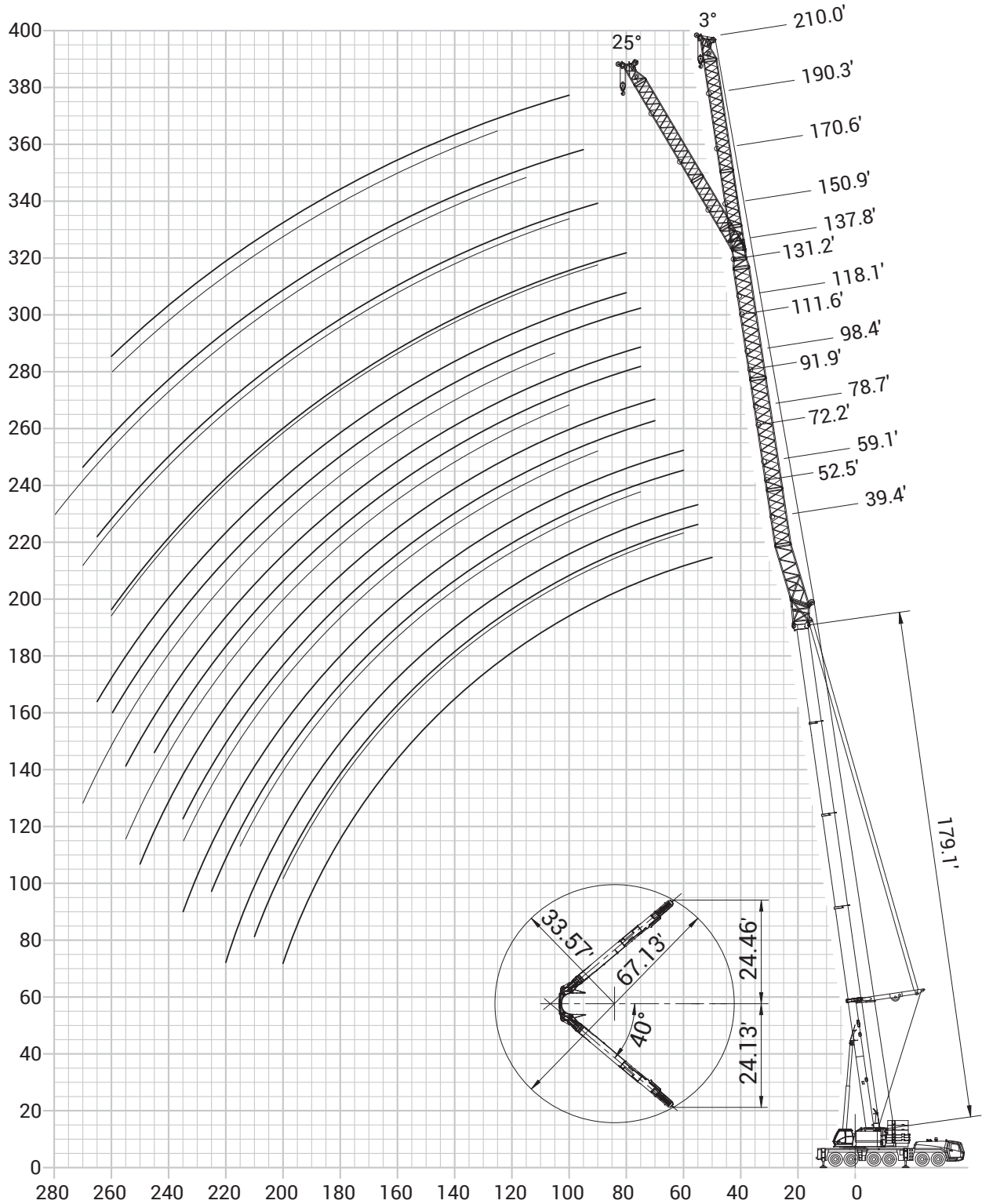
Feet	39.4	52.5	72.2	91.9	111.6	131.2	150.9	170.6	190.3	210.0
55.0	49.00									
60.0	49.00	41.80								
65.0	49.00	41.80								
70.0	49.00	41.80	41.80	34.20						
75.0	47.00	41.80	40.40	34.20		28.60				
80.0	45.00	40.80	39.00	34.20	34.20	28.60		23.40	22.40	
85.0	42.80	39.20	37.60	34.20	33.40	28.60		23.40	22.40	
90.0	40.60	37.40	36.00	33.60	32.20	28.60		23.40	22.40	
95.0	38.40	35.60	34.60	32.40	31.00	28.60	26.40	23.40	22.40	12.60
100.0	36.40	33.60	33.00	31.00	29.80	27.80	26.00	23.40	22.40	12.20
105.0	34.40	31.80	31.20	30.00	28.40	26.60	25.40	23.40	22.40	11.80
110.0	32.40	30.00	29.20	28.80	27.20	25.40	24.40	23.00	22.40	11.40
115.0	30.60	28.20	27.40	27.40	26.00	24.40	23.60	22.20	22.20	11.00
120.0	28.80	26.60	25.80	25.80	25.00	23.60	22.80	21.40	21.40	10.60
125.0	27.20	24.80	24.40	24.20	24.00	22.60	21.80	20.60	20.60	10.00
130.0	25.40	23.20	23.20	22.80	23.00	21.60	21.00	19.80	19.80	9.80
135.0	24.00	21.80	21.80	21.40	22.20	20.80	20.20	19.00	19.20	9.40
140.0	22.80	20.60	20.40	20.40	21.20	19.80	19.40	18.40	18.40	9.00
145.0	21.40	19.40	19.20	19.20	20.00	18.80	18.60	17.60	17.80	8.60
150.0	20.20	18.20	18.00	18.00	19.00	18.00	17.80	16.80	17.00	8.20
155.0	19.20	17.20	17.00	17.00	17.80	17.00	17.00	16.00	16.40	8.00
160.0	18.00	16.00	16.00	16.00	16.80	16.00	16.40	15.40	15.60	7.60
165.0	17.00	15.00	15.00	15.00	15.80	15.00	15.60	14.80	15.00	7.40
170.0	16.00	14.20	14.00	14.00	14.80	14.20	14.80	14.00	14.40	7.00
175.0	15.20	13.20	13.00	13.20	14.00	13.40	14.00	13.20	13.80	6.80
180.0	14.40	12.40	12.20	12.40	13.20	12.60	13.40	12.60	13.20	6.40
185.0	13.40	11.60	11.40	11.60	12.40	11.80	12.60	11.80	12.40	6.20
190.0	12.60	10.80	10.60	10.80	11.40	11.00	11.80	11.00	11.80	6.00
195.0	11.80	10.00	9.80	10.00	10.60	10.40	11.20	10.40	11.20	5.80
200.0	11.00	9.20	9.00	9.40	10.00	9.60	10.40	9.60	10.60	5.40
205.0	10.40	8.60	8.20	8.80	9.20	9.00	9.80	9.00	10.00	5.20
210.0	9.60	7.80	7.60	8.00	8.60	8.40	9.00	8.40	9.40	5.00
215.0	9.00	7.20	7.00	7.40	8.00	7.60	8.40	7.80	8.80	4.80
220.0		6.60		6.80	7.20	7.00	7.80	7.20	8.20	4.60
225.0		6.00		6.20	6.60	6.40	7.20	6.60	7.60	4.40
230.0				5.60	6.00	6.00	6.60	6.00	7.00	4.20
235.0				5.20	5.40	5.40	6.00	5.60	6.60	4.00
240.0				4.60		5.00	5.40	5.00	6.00	3.80
245.0				4.20		4.40	4.80	4.60	5.60	3.60
250.0						4.00	4.40	4.00	5.00	
255.0						3.60	3.80	3.60	4.60	
260.0									4.20	
265.0									3.80	

THIS CHART IS ONLY A GUIDE AND SHOULD NOT BE USED TO OPERATE THE CRANE.

The individual crane's load chart, operating instructions and other instructional plates must be read and understood prior to operating the crane

WORKING RANGE

Main Boom, Lattice Extension, and MegaWingLift™



THIS CHART IS ONLY A GUIDE AND SHOULD NOT BE USED TO OPERATE THE CRANE.

The individual crane's load chart, operating instructions and other instructional plates must be read and understood prior to operating the crane

LOAD CHART

Lattice Extension and MegaWingLift™



163 ft
(49,69 m)



39.4 ft - 210 ft
(12 m - 64 m)



297,600 lb
(135 t)



28.5 ft x 27.8 ft
(8,7 m x 8,5m)



360°



Pounds

Feet	39.4	52.5	72.2	91.9	111.6	131.2	150.9	170.6	190.3	210.0
45.0	127.00									
50.0	119.00	104.00								
55.0	112.00	100.00	73.00							
60.0	106.00	96.00	70.00	53.00						
65.0	99.00	91.00	68.00	51.00						
70.0	93.00	86.00	65.00	49.00	39.80					
75.0	87.00	82.00	63.00	47.00	38.20	32.00	28.00			
80.0	82.00	78.00	61.00	45.00	36.80	30.80	26.20	22.80		
85.0	77.00	73.00	59.00	43.80	35.60	29.60	25.00	21.60		
90.0	70.00	69.00	57.00	42.40	34.20	28.20	24.00	20.60	18.20	
95.0	65.00	64.00	55.00	41.20	33.00	26.80	23.00	19.80	17.40	15.00
100.0	60.00	59.00	53.00	39.80	31.80	25.60	22.00	18.80	16.60	14.40
105.0	55.00	55.00	51.00	38.60	30.60	24.60	21.00	18.20	16.00	13.80
110.0	51.00	50.00	50.00	37.40	29.40	23.80	20.20	17.40	15.20	13.20
115.0	47.00	47.00	48.00	36.40	28.20	23.00	19.40	16.80	14.60	12.60
120.0	43.60	43.20	45.00	35.40	27.00	22.40	18.80	16.00	14.00	12.20
125.0	40.40	40.00	42.00	34.60	26.20	21.60	18.20	15.60	13.40	11.60
130.0	37.60	37.20	39.20	33.60	25.60	20.80	17.60	15.00	12.80	11.20
135.0	35.00	34.40	36.40	32.60	24.80	20.20	16.80	14.40	12.40	10.60
140.0	32.40	32.00	33.80	31.80	24.20	19.80	16.20	14.00	11.80	10.20
145.0	30.20	29.60	31.60	30.80	23.40	19.20	15.60	13.40	11.40	9.80
150.0	28.00	27.60	29.40	30.00	22.80	18.60	15.20	13.00	11.00	9.40
155.0	26.00	25.40	27.40	29.00	22.20	18.00	14.80	12.40	10.40	9.00
160.0	24.00	23.60	25.40	27.20	21.60	17.60	14.40	12.00	10.00	8.80
165.0	21.20	21.60	23.60	25.40	21.20	17.00	13.80	11.60	9.60	8.40
170.0	18.20	19.60	22.00	23.60	20.60	16.60	13.40	11.20	9.20	8.00
175.0	15.00	17.00	20.20	22.00	20.20	16.20	13.00	11.00	9.00	7.60
180.0	14.40	14.20	18.40	20.60	19.80	15.80	12.40	10.60	8.60	7.40
185.0	10.40	11.40	16.80	18.80	19.20	15.40	12.00	10.20	8.20	7.00
190.0	4.60	8.20	14.80	17.40	18.60	15.00	11.60	9.80	8.00	6.80
195.0		7.60	12.60	16.00	17.20	14.60	11.20	9.40	7.60	6.60
200.0			10.20	14.60	15.80	14.20	11.00	9.00	7.40	6.20
205.0			7.80	13.00	14.40	14.00	10.60	8.80	7.00	6.00
210.0			7.80	11.20	13.20	13.60	10.20	8.40	6.80	5.60
215.0			4.40	9.20	12.00	13.20	9.80	8.20	6.60	5.40
220.0				7.20	10.80	12.00	9.40	7.80	6.20	5.20
225.0				4.80	9.20	11.00	9.00	7.40	6.00	5.00
230.0				4.80	7.60	9.80	8.80	7.20	5.80	4.60
235.0					5.80	8.80	8.40	6.80	5.60	4.40
240.0					4.00	7.60	7.40	6.60	5.40	4.20
245.0					3.80	6.20	6.40	6.40	5.20	4.00
250.0						4.80	5.60	6.20	4.80	3.80
255.0							4.60	5.60	4.60	3.60
260.0								4.80	4.40	
265.0								4.00	4.20	
270.0									4.00	

THIS CHART IS ONLY A GUIDE AND SHOULD NOT BE USED TO OPERATE THE CRANE.

The individual crane's load chart, operating instructions and other instructional plates must be read and understood prior to operating the crane

LOAD CHART

Lattice Extension and MegaWingLift™



179.1 ft
(54,59 m)



39.4 ft - 210 ft
(12 m - 64 m)



297,600 lb
(135 t)



28.5 ft x 27.8 ft
(8,7 m x 8,5m)



360°



Pounds

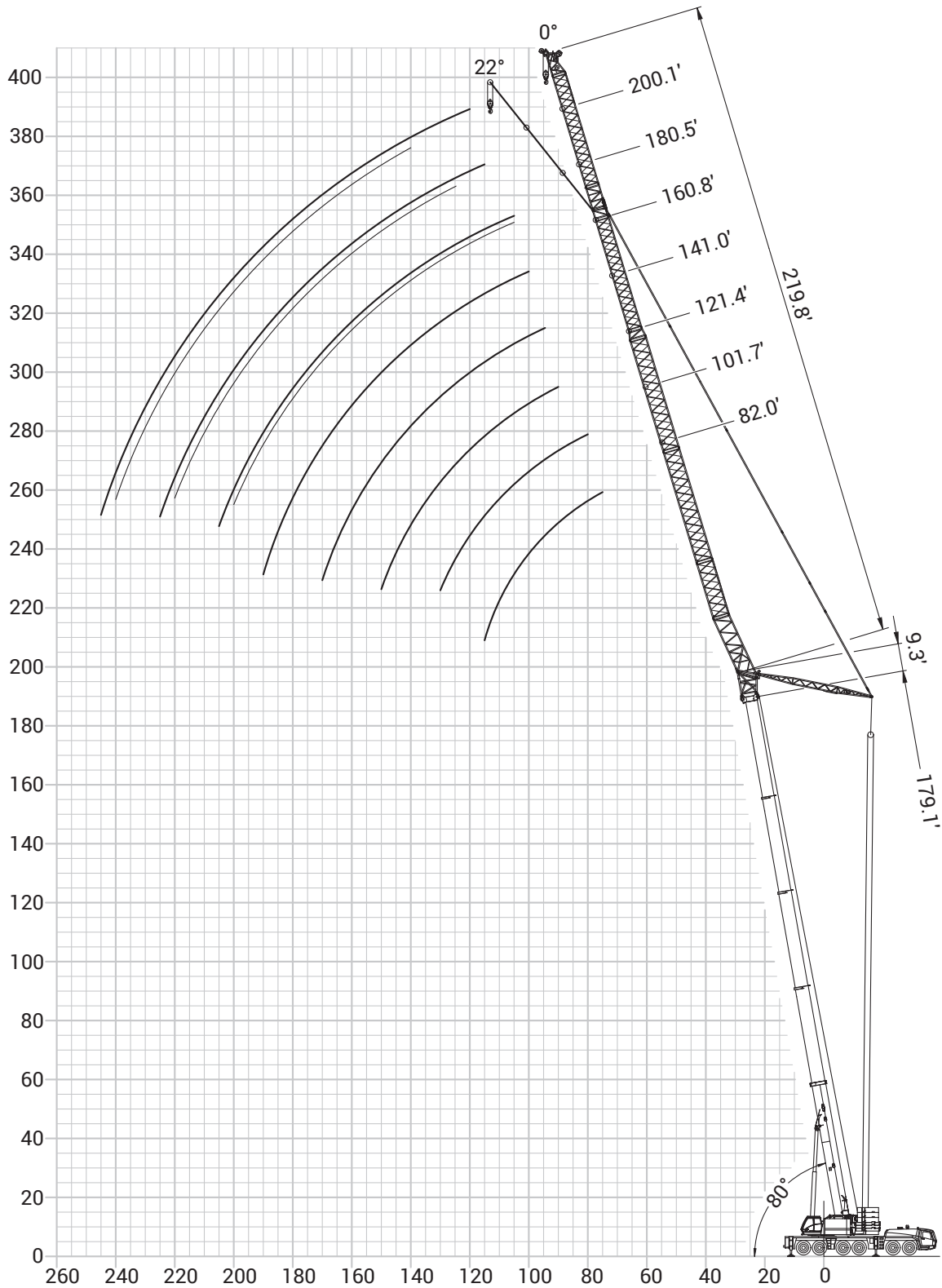
Feet	39.4	52.5	72.2	91.9	111.6	131.2	150.9	170.6	190.3	210.0
50.0	108.00									
55.0	102.00	93.00								
60.0	96.00	88.00	69.00							
65.0	91.00	83.00	67.00							
70.0	85.00	79.00	64.00	48.00						
75.0	81.00	74.00	62.00	46.00	37.80	31.40				
80.0	77.00	70.00	61.00	45.00	36.40	30.40	25.40			
85.0	73.00	67.00	59.00	43.60	35.20	29.20	24.60			
90.0	69.00	64.00	57.00	42.20	34.00	28.20	23.60	20.40		
95.0	66.00	61.00	55.00	40.80	33.00	27.20	22.60	19.60	17.20	
100.0	61.00	57.00	52.00	39.60	31.80	26.00	21.80	18.80	16.40	13.80
105.0	56.00	55.00	50.00	38.60	30.80	25.00	21.00	18.20	15.80	13.80
110.0	52.00	51.00	48.00	37.60	29.80	23.80	20.40	17.40	15.20	13.20
115.0	48.00	47.00	46.00	36.40	28.80	23.20	19.60	16.80	14.60	12.60
120.0	45.00	44.00	44.00	35.40	27.80	22.40	18.80	16.20	14.00	12.20
125.0	41.60	40.80	42.40	34.60	26.80	21.80	18.20	15.60	13.60	11.60
130.0	38.80	37.80	39.60	33.80	25.80	21.20	17.60	15.00	13.00	11.20
135.0	36.00	35.20	36.80	33.00	25.00	20.60	17.20	14.60	12.40	10.80
140.0	33.60	32.60	34.40	32.20	24.40	20.00	16.60	14.20	12.00	10.40
145.0	31.20	30.40	32.00	31.40	23.80	19.40	16.00	13.60	11.40	10.00
150.0	29.00	28.20	29.80	30.60	23.40	19.00	15.40	13.20	11.00	9.40
155.0	27.00	26.20	27.80	29.40	22.80	18.60	15.00	12.80	10.60	9.20
160.0	25.20	24.20	26.00	27.40	22.20	18.00	14.60	12.20	10.20	8.80
165.0	23.40	22.40	24.20	25.60	21.60	17.60	14.20	11.80	9.80	8.40
170.0	21.60	20.60	22.40	24.00	21.20	17.00	13.80	11.40	9.40	8.20
175.0	19.60	18.80	20.80	22.40	20.80	16.60	13.20	11.20	9.00	7.80
180.0	17.20	17.00	19.00	20.80	20.20	16.20	12.80	10.80	8.80	7.60
185.0	14.60	15.20	17.40	19.20	19.80	15.80	12.40	10.40	8.40	7.20
190.0	11.80	13.00	15.80	17.80	18.80	15.40	12.00	10.00	8.20	7.00
195.0	10.00	10.60	14.40	16.20	17.40	15.20	11.60	9.80	7.80	6.60
200.0	8.00	8.20	13.00	15.00	16.00	14.80	11.20	9.40	7.60	6.40
205.0		6.80	11.20	13.60	14.60	14.40	11.00	9.00	7.40	6.20
210.0		5.00	9.20	12.40	13.40	14.20	10.60	8.80	7.00	6.00
215.0			7.20	11.20	12.20	13.20	10.20	8.40	6.80	5.60
220.0			5.00	9.80	11.00	12.00	10.00	8.20	6.40	5.40
225.0			4.00	8.00	10.00	11.00	9.60	7.80	6.20	5.20
230.0				6.40	9.00	10.00	9.20	7.60	6.00	5.00
235.0				4.40	7.80	9.00	8.80	7.40	5.80	4.60
240.0					6.40	8.00	7.80	7.00	5.60	4.40
245.0					5.00	7.00	6.80	6.80	5.40	4.20
250.0						6.20	6.00	6.40	5.20	4.00
255.0						5.00	5.00	5.60	5.00	3.80
260.0						3.80	4.20	4.80	4.80	3.60
265.0								4.00	4.60	
270.0									3.80	

THIS CHART IS ONLY A GUIDE AND SHOULD NOT BE USED TO OPERATE THE CRANE.

The individual crane's load chart, operating instructions and other instructional plates must be read and understood prior to operating the crane

LOAD CHART

Main Boom and Luffing Jib



THIS CHART IS ONLY A GUIDE AND SHOULD NOT BE USED TO OPERATE THE CRANE.

The individual crane's load chart, operating instructions and other instructional plates must be read and understood prior to operating the crane

LOAD CHART

Luffing Jib



50.5 ft
(15,39 m)



101.7 ft - 239.5 ft
(31 m - 73 m)



297,600 lb
(135 t)



28.5 ft x 27.8 ft
(8,7 m x 8,5m)



360°



Pounds

Feet	101.7		121.4		141.1		160.8		180.5		200.1		219.8		239.5	
	0°	0°	0°	0°	0°	22°	0°	22°	0°	22°	0°	22°	0°	22°	0°	22°
65.0			68.00													
70.0		81.00	67.00	56.00												
75.0		80.00	67.00	56.00	46.00											
80.0	89.00	79.00	67.00	56.00	46.00	47.00	38.60									
85.0	86.00	78.00	66.00	55.00	46.00	46.00	38.60									
90.0	84.00	76.00	66.00	55.00	46.00	46.00	38.60			32.60						
95.0	78.00	74.00	65.00	55.00	46.00	46.00	38.60	38.80	32.60					27.20		
100.0	68.00	72.00	65.00	54.00	45.00	46.00	38.60	38.80	32.60					27.20		
105.0		70.00	63.00	54.00	45.00	46.00	38.60	38.80	32.60	29.20				27.20		
110.0		68.00	62.00	54.00	45.00	45.00	38.60	38.60	32.60	28.60				27.20		
115.0		60.00	61.00	53.00	45.00	45.00	38.60	38.40	32.60	27.80				27.20		
120.0		53.00	59.00	53.00	45.00	45.00	38.40	38.20	32.60	27.20				27.00	20.80	
125.0			58.00	52.00	44.00	45.00	38.20	38.00	32.60	26.80				26.40	20.60	
130.0			53.00	51.00	44.00	45.00	38.20	37.80	32.60	26.60				25.80	20.20	
135.0			48.00	50.00	43.60	44.00	38.00	37.60	32.20	26.20				25.20	19.80	
140.0				49.00	43.40	43.80	37.80	37.40	31.80	25.80				24.60	19.40	
145.0				47.00	42.80	43.20	37.60	37.20	31.20	25.40				24.00	19.20	
150.0				43.20	42.40	42.80	37.40	37.00	30.80	25.20				23.40	18.80	
155.0				38.80	41.80	42.20	37.40	37.00	30.20	24.80				23.00	18.40	
160.0					41.40	41.80	37.00	37.00	29.40	24.60				22.40	18.20	
165.0					38.20	38.60	36.60	36.80	28.80	24.20				22.00	18.00	
170.0					35.00	35.20	36.20	36.40	28.00	24.00				21.40	17.60	
175.0					31.60		36.00	36.20	27.40	23.80				21.00	17.40	
180.0							34.00	35.20	26.80	23.60				20.60	17.20	
185.0							31.40	32.40	26.40	23.40				20.00	17.00	
190.0							28.60	29.60	25.80	23.40				19.60	16.80	
195.0							25.80		25.40	23.20				19.20	16.60	
200.0									25.00	23.20				18.80	16.60	
205.0									24.40	23.20				18.40	16.40	
210.0									23.60					18.00	16.20	
215.0									21.20					17.60	16.20	
220.0														17.40	16.20	
225.0														17.00	16.20	
230.0														16.80		
235.0														16.40		

THIS CHART IS ONLY A GUIDE AND SHOULD NOT BE USED TO OPERATE THE CRANE.

The individual crane's load chart, operating instructions and other instructional plates must be read and understood prior to operating the crane

LOAD CHART

Luffing Jib



82.6 ft
(25,19 m)



82.0 ft - 239.5 ft
(25 m - 73 m)



297,600 lb
(135 t)



28.5 ft x 27.8 ft
(8,7 m x 8,5m)



360°



Pounds

Feet	82.0	101.7	121.4	141.1	160.8	180.5		200.1		219.8		239.5	
	0°	0°	0°	0°	0°	0°	22°	0°	22°	0°	22°	0°	22°
50.0	111.00												
55.0	111.00	88.00											
60.0	109.00	88.00	71.00										
65.0	105.00	88.00	71.00										
70.0	100.00	88.00	71.00	58.00									
75.0	96.00	88.00	71.00	58.00	48.00								
80.0	92.00	88.00	71.00	58.00	48.00	39.60							
85.0	90.00	88.00	71.00	58.00	48.00	39.60							
90.0	84.00	88.00	71.00	58.00	48.00	39.60	40.20	33.20					
95.0		84.00	71.00	58.00	48.00	39.60	40.20	33.20		28.20			
100.0		79.00	71.00	58.00	48.00	39.60	40.20	33.20	33.80	28.20		23.40	
105.0		75.00	71.00	58.00	48.00	39.60	40.20	33.20	33.80	28.20		23.40	
110.0		64.00	70.00	58.00	48.00	39.60	40.20	33.20	33.80	28.20		23.40	
115.0			67.00	58.00	48.00	39.60	40.20	33.20	33.80	28.20	27.60	23.40	
120.0			63.00	58.00	48.00	39.60	40.20	33.20	33.80	28.20	27.00	23.40	
125.0			60.00	58.00	48.00	39.60	40.20	33.20	33.80	28.20	26.60	23.40	20.60
130.0			51.00	57.00	48.00	39.60	40.20	33.20	33.80	28.20	26.20	23.40	20.20
135.0				54.00	48.00	39.60	40.20	33.20	33.80	28.20	26.00	23.40	19.80
140.0				48.00	48.00	39.60	40.20	33.20	33.80	28.20	25.60	23.40	19.60
145.0					48.00	39.60	40.20	33.20	33.80	28.20	25.40	23.40	19.20
150.0					48.00	39.60	40.20	33.20	33.80	28.20	25.00	23.20	19.00
155.0					46.00	39.60	40.20	33.20	33.80	28.20	24.80	22.80	18.60
160.0					43.80	39.60	40.20	33.20	33.80	28.20	24.60	22.40	18.40
165.0						39.60	40.20	33.20	33.80	28.20	24.20	22.00	18.00
170.0						39.60	39.80	33.20	33.80	28.00	24.00	21.60	17.80
175.0						38.20	38.20	33.20	33.80	27.40	23.80	21.20	17.60
180.0						36.00		33.20	33.80	26.80	23.60	20.80	17.40
185.0								33.20	33.80	26.40	23.60	20.40	17.20
190.0								33.20	33.80	26.00	23.40	20.00	17.00
195.0								32.60	32.80	25.60	23.20	19.60	16.80
200.0								29.60		25.20	23.20	19.20	16.60
205.0										24.80	23.00	18.80	16.40
210.0										24.40	23.00	18.40	16.40
215.0										24.00	23.00	18.00	16.20
220.0										23.60		17.60	16.20
225.0												17.40	16.00
230.0												17.00	16.00
235.0												16.80	16.00
240.0												16.40	

THIS CHART IS ONLY A GUIDE AND SHOULD NOT BE USED TO OPERATE THE CRANE.

The individual crane's load chart, operating instructions and other instructional plates must be read and understood prior to operating the crane

LOAD CHART

Luffing Jib



114.8 ft
(34,99 m)



82.0 ft - 239.5 ft
(25 m - 73 m)



297,600 lb
(135 t)



28.5 ft x 27.8 ft
(8,7 m x 8,5m)



360°



Pounds

Feet	82.0		101.7		121.4		141.1		160.8		180.5		200.1		219.8		239.5	
	0°	0°	0°	0°	0°	0°	0°	22°	0°	22°	0°	22°	0°	22°	0°	22°		
60.0	70.00	59.00																
65.0	70.00	58.00																
70.0	70.00	58.00	48.00															
75.0	70.00	58.00	48.00	39.40														
80.0	70.00	58.00	48.00	39.40	33.00													
85.0	70.00	58.00	48.00	39.40	33.00													
90.0	70.00	58.00	48.00	39.40	33.00	26.20												
95.0	70.00	58.00	48.00	39.40	33.00	26.20	26.80	21.80										
100.0		58.00	48.00	39.40	33.00	26.20	26.80	21.80		18.20								
105.0		58.00	48.00	39.40	33.00	26.20	26.80	21.80	22.40	18.20			15.00					
110.0		58.00	48.00	39.40	33.00	26.20	26.80	21.80	22.40	18.20			15.00					
115.0		58.00	48.00	39.40	33.00	26.20	26.80	21.80	22.40	18.20			15.00					
120.0			48.00	39.40	33.00	26.20	26.80	21.80	22.40	18.20	18.80	15.00						
125.0			48.00	39.40	33.00	26.20	26.80	21.80	22.40	18.20	18.80	15.00						
130.0			48.00	39.40	33.00	26.20	26.80	21.80	22.40	18.20	18.80	15.00						
135.0			48.00	39.40	33.00	26.20	26.80	21.80	22.40	18.20	18.80	15.00	15.40					
140.0				39.40	33.00	26.20	26.80	21.80	22.40	18.20	18.80	15.00	15.40					
145.0				39.40	33.00	26.20	26.80	21.80	22.40	18.20	18.80	15.00	15.40					
150.0				39.40	33.00	26.20	26.80	21.80	22.40	18.20	18.80	15.00	15.40					
155.0					33.00	26.20	26.80	21.80	22.40	18.20	18.80	15.00	15.40					
160.0					33.00	26.20	26.80	21.80	22.40	18.20	18.80	15.00	15.40					
165.0					33.00	26.20	26.80	21.80	22.40	18.20	18.80	15.00	15.40					
170.0					33.00	26.20	26.80	21.80	22.40	18.20	18.80	15.00	15.40					
175.0						26.20	26.80	21.80	22.40	18.20	18.80	15.00	15.40					
180.0						26.20	26.80	21.80	22.40	18.20	18.80	15.00	15.40					
185.0						26.20		21.80	22.40	18.20	18.80	15.00	15.40					
190.0						26.20		21.80	22.40	18.20	18.80	15.00	15.40					
195.0								21.80	22.40	18.20	18.80	15.00	15.40					
200.0								21.80	22.40	18.20	18.80	15.00	15.40					
205.0								21.80		18.20	18.80	15.00	15.40					
210.0										18.20	18.80	15.00	15.40					
215.0										18.20	18.80	15.00	15.40					
220.0										18.20	18.80	15.00	15.40					
225.0												15.00	15.40					
230.0												15.00	15.40					
235.0												15.00	15.40					
240.0												15.00	15.40					
245.0												15.00						

THIS CHART IS ONLY A GUIDE AND SHOULD NOT BE USED TO OPERATE THE CRANE.

The individual crane's load chart, operating instructions and other instructional plates must be read and understood prior to operating the crane

LOAD CHART

Luffing Jib



147.0 ft
(44,79 m)



82.0 ft - 239.5 ft
(25 m - 73 m)



297,600 lb
(135 t)



28.5 ft x 27.8 ft
(8,7 m x 8,5m)



360°



Pounds

Feet	82.0		101.7		121.4		141.1		160.8		180.5		200.1		219.8		239.5	
	0°	0°	0°	0°	0°	0°	0°	22°	0°	22°	0°	22°	0°	22°	0°	22°		
60.0	52.00																	
65.0	52.00																	
70.0	52.00	42.60																
75.0	51.00	42.60	34.80															
80.0	50.00	42.60	34.80	28.40														
85.0	49.00	42.60	34.80	28.40														
90.0	48.00	42.60	34.80	28.40	23.00													
95.0	47.00	42.40	34.80	28.40	23.00	18.40												
100.0	45.00	41.40	34.80	28.40	23.00	18.40	18.80											
105.0		40.20	34.80	28.40	23.00	18.40	18.80	15.20			12.40							
110.0		39.20	34.80	28.40	23.00	18.40	18.80	15.20			12.40							
115.0		38.00	34.80	28.40	23.00	18.40	18.80	15.20	15.60	12.40			9.60					
120.0		37.00	34.00	28.40	23.00	18.40	18.80	15.20	15.60	12.40			9.60					
125.0			33.20	28.40	23.00	18.40	18.80	15.20	15.60	12.40	12.80	9.60						
130.0			32.40	28.40	23.00	18.40	18.80	15.20	15.60	12.40	12.80	9.60						
135.0			31.40	28.00	23.00	18.40	18.80	15.20	15.60	12.40	12.80	9.60						
140.0			30.80	27.40	23.00	18.40	18.80	15.20	15.60	12.40	12.80	9.60	10.20					
145.0				26.60	23.00	18.40	18.80	15.20	15.60	12.40	12.80	9.60	10.20					
150.0				26.00	23.00	18.40	18.80	15.20	15.60	12.40	12.80	9.60	10.20					
155.0				25.40	23.00	18.40	18.80	15.20	15.60	12.40	12.80	9.60	10.20					
160.0				24.80	22.80	18.40	18.80	15.20	15.60	12.40	12.80	9.60	10.20					
165.0					22.40	18.40	18.80	15.20	15.60	12.40	12.80	9.60	10.20					
170.0					21.80	18.40	18.80	15.20	15.60	12.40	12.80	9.60	10.20					
175.0					21.40	18.40	18.80	15.20	15.60	12.40	12.80	9.60	10.20					
180.0						18.40	18.80	15.20	15.60	12.40	12.80	9.60	10.20					
185.0						18.20	18.40	15.20	15.60	12.40	12.80	9.60	10.20					
190.0						17.80	18.00	15.20	15.60	12.40	12.80	9.60	10.20					
195.0						17.40		15.20	15.60	12.40	12.80	9.60	10.20					
200.0								15.20	15.60	12.40	12.80	9.60	10.20					
205.0								15.20	15.60	12.40	12.80	9.60	10.20					
210.0								15.00		12.40	12.80	9.60	10.20					
215.0								14.60		12.40	12.80	9.60	10.20					
220.0										12.40	12.80	9.60	10.20					
225.0										12.40	12.80	9.60	10.20					
230.0										12.40		9.60	10.20					
235.0										12.40		9.60	10.20					
240.0												9.60	10.20					
245.0												9.60	10.20					
250.0												9.60						
255.0												9.60						

THIS CHART IS ONLY A GUIDE AND SHOULD NOT BE USED TO OPERATE THE CRANE.

The individual crane's load chart, operating instructions and other instructional plates must be read and understood prior to operating the crane

LOAD CHART

Luffing Jib



179.1 ft
(54,59 m)



25 m - 61 m
(82.0 ft - 200.1 ft)



297,600 lb
(135 t)



28.5 ft x 27.8 ft
(8,7 m x 8,5m)



360°



Pounds

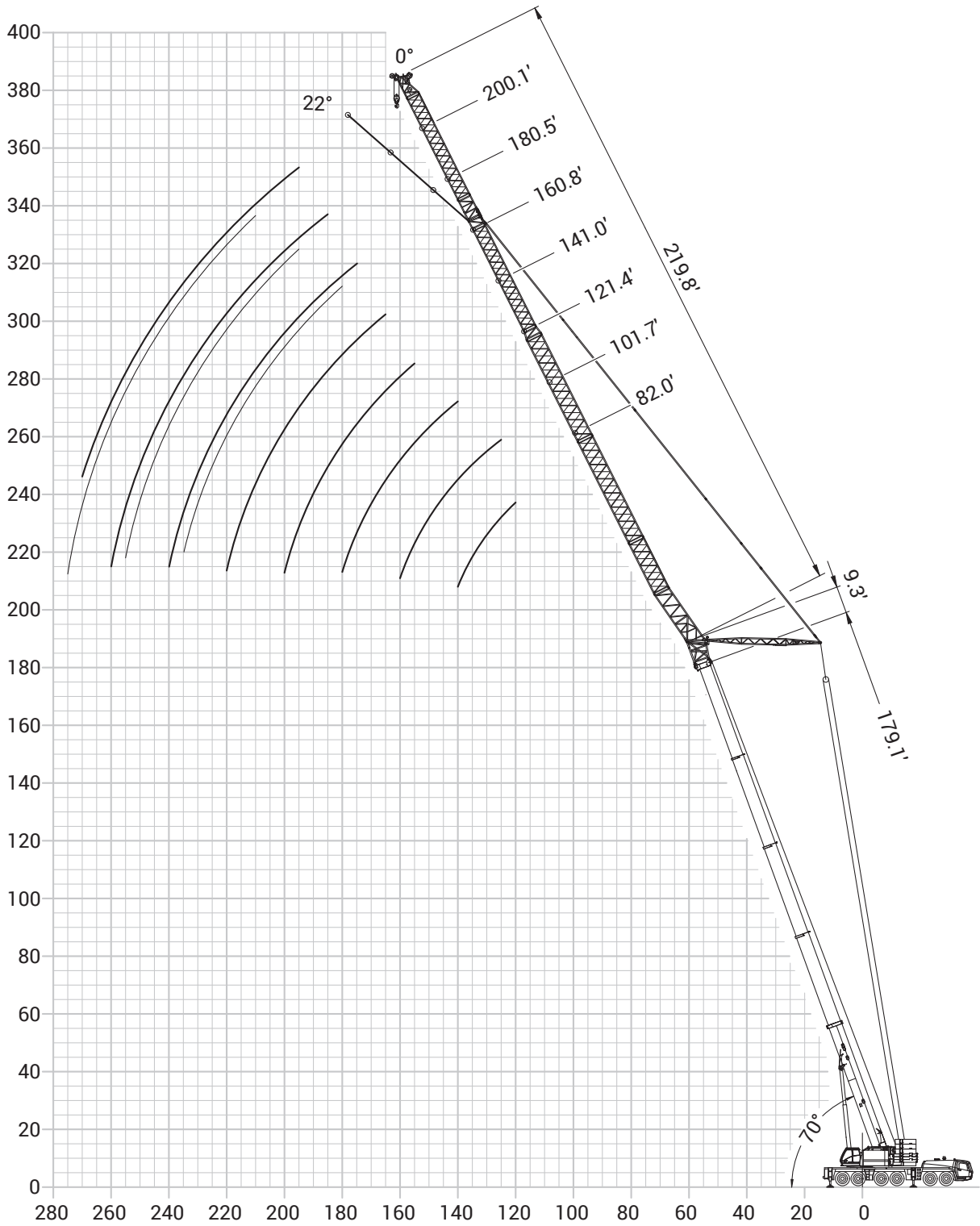
Feet	82.0	101.7	121.4	141.1	160.8	180.5		200.1		219.8	
	0°	0°	0°	0°	0°	0°	22°	0°	22°	0°	22°
75.0	33.00										
80.0	33.00	26.40									
85.0	33.00	26.40									
90.0	33.00	26.40	21.20								
95.0	33.00	26.40	21.20	16.60							
100.0	33.00	26.40	21.20	16.60	13.20						
105.0	32.80	26.40	21.20	16.60	13.20	9.80	10.20	7.40			
110.0	31.60	26.40	21.20	16.60	13.20	9.80	10.20	7.40			
115.0	30.20	26.20	21.20	16.60	13.20	9.80	10.20	7.40			
120.0		25.60	21.20	16.60	13.20	9.80	10.20	7.40		5.40	
125.0		25.00	21.20	16.60	13.20	9.80	10.20	7.40	7.80	5.40	
130.0		24.40	21.20	16.60	13.20	9.80	10.20	7.40	7.80	5.40	
135.0			21.20	16.60	13.20	9.80	10.20	7.40	7.80	5.40	
140.0			20.80	16.60	13.20	9.80	10.20	7.40	7.80	5.40	6.00
145.0			20.40	16.60	13.20	9.80	10.20	7.40	7.80	5.40	6.00
150.0			20.00	16.60	13.20	9.80	10.20	7.40	7.80	5.40	6.00
155.0				16.60	13.20	9.80	10.20	7.40	7.80	5.40	6.00
160.0				16.60	13.20	9.80	10.20	7.40	7.80	5.40	6.00
165.0				16.40	13.20	9.80	10.20	7.40	7.80	5.40	6.00
170.0				16.00	13.20	9.80	10.20	7.40	7.80	5.40	6.00
175.0					13.20	9.80	10.20	7.40	7.80	5.40	6.00
180.0					13.20	9.80	10.20	7.40	7.80	5.40	6.00
185.0					13.20	9.80	10.20	7.40	7.80	5.40	6.00
190.0					13.00	9.80	10.20	7.40	7.80	5.40	6.00
195.0						9.80	10.20	7.40	7.80	5.40	6.00
200.0						9.80	10.20	7.40	7.80	5.40	6.00
205.0						9.80		7.40	7.80	5.40	6.00
210.0								7.40	7.80	5.40	6.00
215.0								7.40	7.80	5.40	6.00
220.0								7.40	7.80	5.40	6.00
225.0								7.40		5.40	6.00
230.0										5.40	6.00
235.0										5.40	6.00
240.0										5.40	6.00
245.0										5.40	

THIS CHART IS ONLY A GUIDE AND SHOULD NOT BE USED TO OPERATE THE CRANE.

The individual crane's load chart, operating instructions and other instructional plates must be read and understood prior to operating the crane

WORKING RANGE

Main Boom and Luffing Jib



THIS CHART IS ONLY A GUIDE AND SHOULD NOT BE USED TO OPERATE THE CRANE.

The individual crane's load chart, operating instructions and other instructional plates must be read and understood prior to operating the crane

LOAD CHART

Luffing Jib



179.1 ft
(54,59 m)



82.0 ft - 219.8 ft
(25 m - 67 m)



297,600 lb
(135 t)



28.5 ft x 27.8 ft
(8,7 m x 8,5m)



360°



Pounds

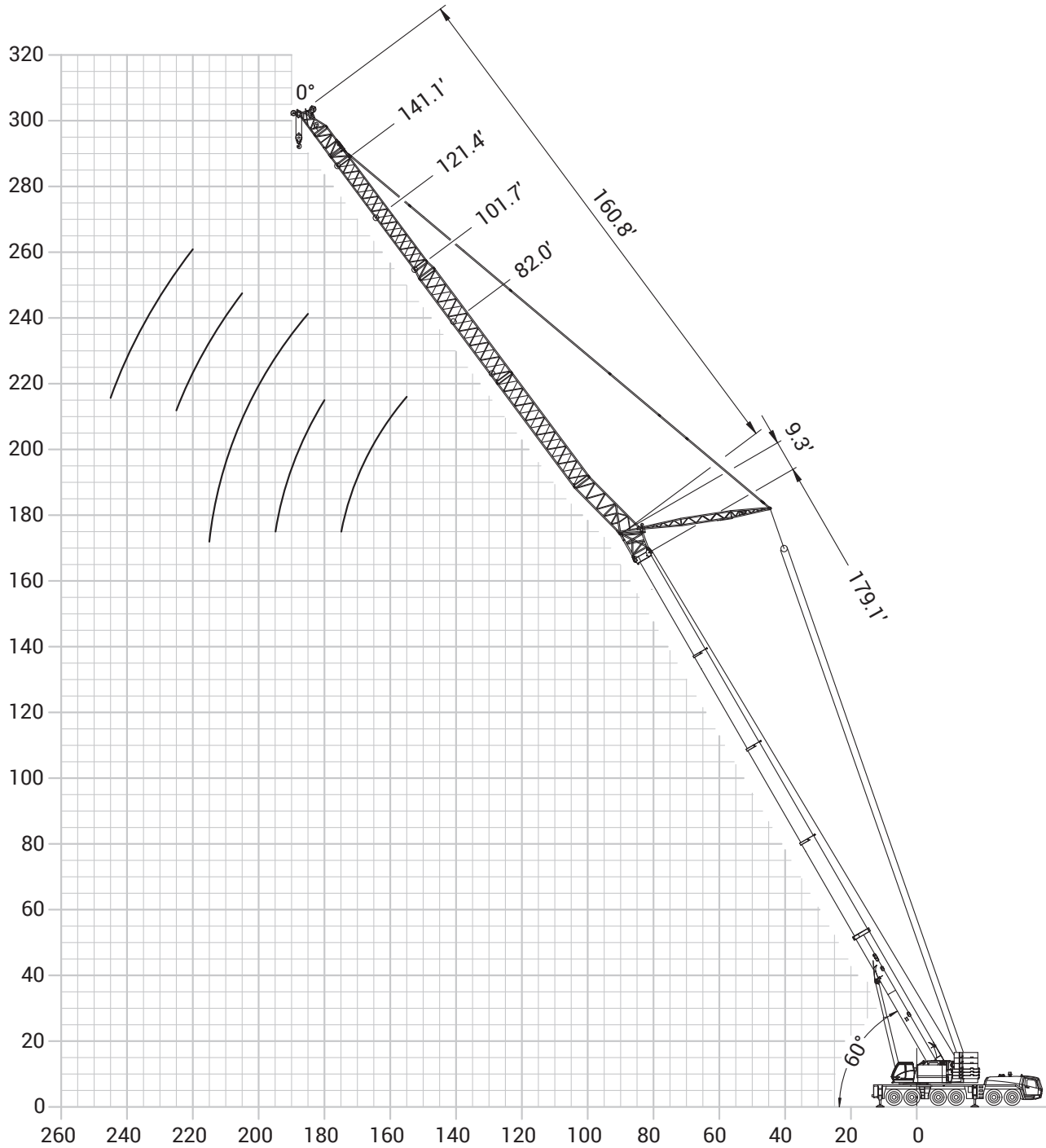
Feet	82.0		101.7		121.4		141.1		160.8		180.5		200.1		219.8	
	0°	0°	0°	0°	0°	0°	0°	22°	0°	22°	0°	22°	0°	22°	0°	22°
120.0	25.80															
125.0	25.00	21.80														
130.0	24.00	21.80														
135.0	23.20	21.20														
140.0	22.60	20.60	18.80													
145.0		20.00	18.20													
150.0		19.20	17.60													
155.0		18.60	17.20	15.20												
160.0		18.00	16.60	14.80												
165.0			16.00	14.20	12.80											
170.0			15.60	13.80	12.40											
175.0			15.20	13.40	12.00	10.20										
180.0			14.60	13.00	11.80	9.80	10.00									
185.0				12.60	11.40	9.60	9.80	8.20								
190.0				12.20	11.00	9.40	9.40	8.00								
195.0				11.80	10.60	9.00	9.20	7.80	8.00	6.00						
200.0				11.40	10.40	8.80	8.80	7.60	7.80	6.00						
205.0					10.00	8.40	8.60	7.20	7.60	6.00						
210.0					9.60	8.20	8.20	7.00	7.40	6.00	6.40					
215.0					9.40	7.80	8.00	6.80	7.00	5.80	6.20					
220.0					9.00	7.60	7.60	6.60	6.80	5.60	6.00					
225.0						7.20	7.40	6.20	6.60	5.40	5.80					
230.0						7.00	7.20	6.00	6.20	5.20	5.60					
235.0							6.80	6.80	5.80	6.00	5.40					
240.0							6.40		5.60	5.80	4.80	5.20				
245.0									5.40	5.60	4.60	5.00				
250.0									5.20	5.40	4.40	4.80				
255.0									4.80	5.20	4.20	4.40				
260.0									4.60		4.00	4.20				
265.0											3.80	4.00				
270.0											3.60	3.80				
275.0												3.60				

THIS CHART IS ONLY A GUIDE AND SHOULD NOT BE USED TO OPERATE THE CRANE.

The individual crane's load chart, operating instructions and other instructional plates must be read and understood prior to operating the crane

WORKING RANGE

Luffing Jib



THIS CHART IS ONLY A GUIDE AND SHOULD NOT BE USED TO OPERATE THE CRANE.

The individual crane's load chart, operating instructions and other instructional plates must be read and understood prior to operating the crane

LOAD CHART

Luffing Jib



147.0 ft
(44,79 m)



82.0 ft - 239.5 ft
(25 m - 73 m)



297,600 lb
(135 t)



28.5 ft x 27.8 ft
(8,7 m x 8,5m)



360°



Pounds

Feet	82.0	101.7	121.4	141.1	160.8	180.5		200.1		219.8		239.5	
	0°	0°	0°	0°	0°	0°	22°	0°	22°	0°	22°	0°	22°
140.0	26.00												
145.0	25.00												
150.0	24.20												
155.0	23.40	22.00											
160.0		21.20											
165.0		20.40	19.40										
170.0		19.80	18.60										
175.0		19.00	18.00										
180.0			17.40	16.00									
185.0			16.80	15.40									
190.0			16.40	15.00									
195.0			15.80	14.40	13.40								
200.0				14.00	13.00								
205.0				13.40	12.60	11.20							
210.0					12.20	10.80	10.80						
215.0					11.80	10.40	10.40						
220.0					11.40	10.00	10.00	9.00					
225.0					11.00	9.60	9.80	8.80	9.00				
230.0						9.20	9.40	8.40	8.60	7.80			
235.0						9.00	9.00	8.00	8.40	7.40			
240.0						8.60	8.60	7.80	8.00	7.20			
245.0						8.20		7.40	7.60	6.80	7.20	6.00	
250.0								7.20	7.40	6.60	7.00	5.60	
255.0								6.80	7.00	6.20	6.60	5.40	
260.0								6.60	6.80	6.00	6.40	5.20	
265.0								6.40		5.80	6.00	5.00	5.40
270.0										5.60	5.80	4.60	5.20
275.0										5.20	5.40	4.40	4.80
280.0										5.00	5.20	4.20	4.60
285.0										4.80		4.00	4.40
290.0												3.80	4.00
295.0												3.60	3.80
300.0													3.60

THIS CHART IS ONLY A GUIDE AND SHOULD NOT BE USED TO OPERATE THE CRANE.

The individual crane's load chart, operating instructions and other instructional plates must be read and understood prior to operating the crane

LOAD CHART

Luffing Jib



179.1 ft
(54,59 m)



82.0 ft - 160.8 ft
(25 m - 49 m)



297,600 lb
(135 t)



28.5 ft x 27.8 ft
(8,7 m x 8,5m)



360°



Pounds

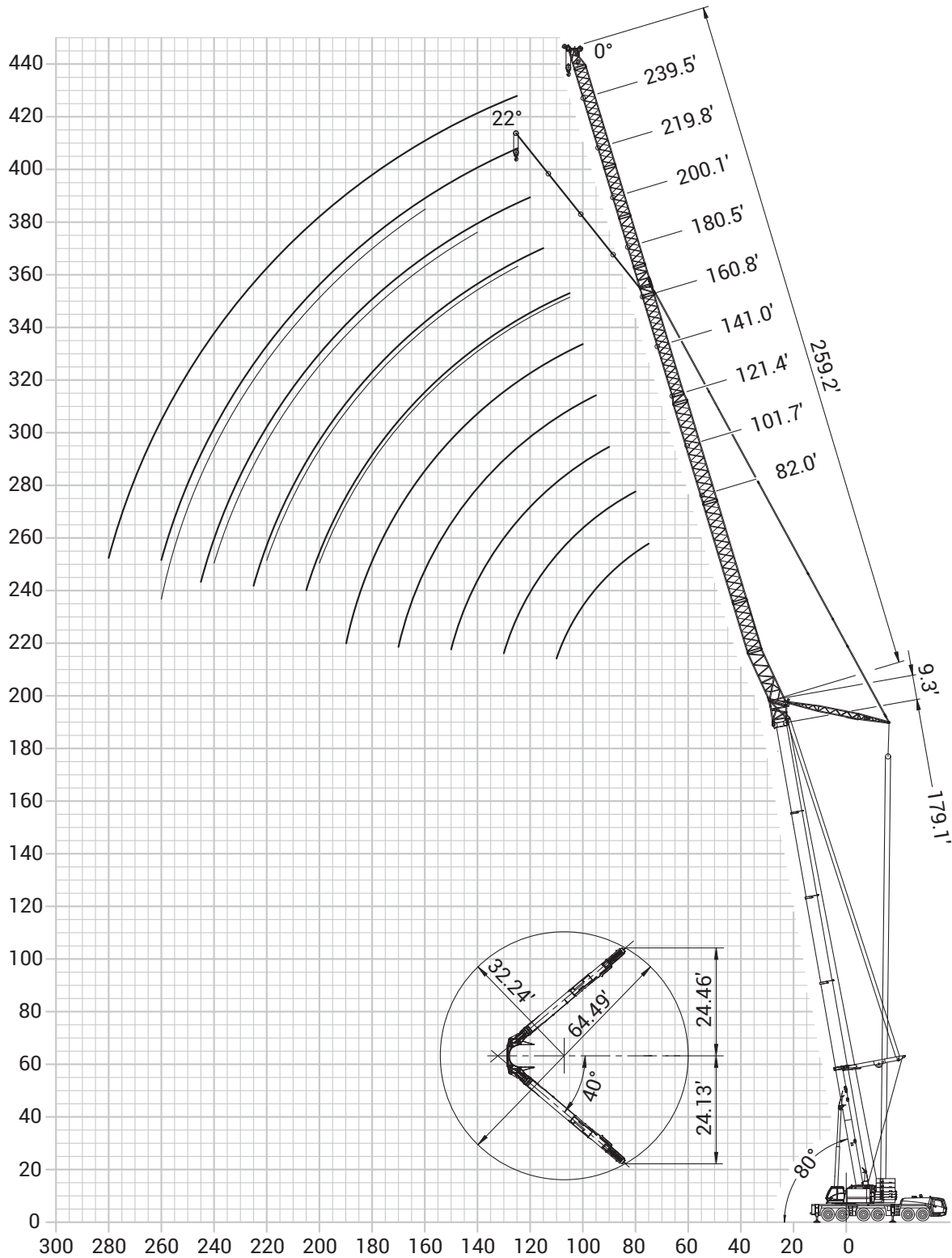
Feet	82.0	101.7	121.4	141.1	160.8
	0°	0°	0°	0°	0°
155.0	15.60				
160.0	15.40				
165.0	14.80				
170.0	14.20				
175.0	13.80				
180.0		11.80			
185.0		11.40	10.20		
190.0		11.00	9.80		
195.0		10.60	9.40		
200.0			9.20		
205.0			8.80	7.40	
210.0			8.40	7.00	
215.0			8.00	6.80	
220.0				6.40	5.60
225.0				6.20	5.20
230.0					5.00
235.0					4.80
240.0					4.40
245.0					4.20

THIS CHART IS ONLY A GUIDE AND SHOULD NOT BE USED TO OPERATE THE CRANE.

The individual crane's load chart, operating instructions and other instructional plates must be read and understood prior to operating the crane

WORKING RANGE

Main Boom, Luffing Jib with MegaWingLift™



THIS CHART IS ONLY A GUIDE AND SHOULD NOT BE USED TO OPERATE THE CRANE.

The individual crane's load chart, operating instructions and other instructional plates must be read and understood prior to operating the crane

LOAD CHART

Luffing Jib with MegaWingLift™



114.8 ft
(34,99 m)



82.0 ft - 259.2 ft
(25 m - 79 m)



297,600 lb
(135 t)



28.5 ft x 27.8 ft
(8,7 m x 8,5m)



360°



Pounds

Feet	82.0	101.7	121.4	141.1	160.8	180.5		200.1		219.8		239.5		259.2
	0°	0°	0°	0°	0°	0°	22°	0°	22°	0°	22°	0°	22°	0°
55.0	126.00													
60.0	117.00	106.00												
65.0	109.00	106.00												
70.0	103.00	101.00	84.00											
75.0	97.00	95.00	84.00	68.00										
80.0	91.00	89.00	84.00	68.00	56.00									
85.0	87.00	85.00	83.00	68.00	56.00									
90.0	83.00	80.00	78.00	68.00	56.00	44.00								
95.0	81.00	76.00	74.00	68.00	56.00	44.00	46.00	36.80						
100.0		73.00	71.00	68.00	56.00	44.00	46.00	36.80		30.60				
105.0		70.00	68.00	66.00	56.00	44.00	46.00	36.80	38.40	30.60		25.20		
110.0		68.00	65.00	63.00	56.00	44.00	46.00	36.80	38.40	30.60		25.20		
115.0		66.00	62.00	61.00	56.00	44.00	46.00	36.80	38.40	30.60		25.20		19.80
120.0			60.00	58.00	56.00	44.00	46.00	36.80	38.40	30.60	29.00	25.20		19.80
125.0			58.00	56.00	54.00	44.00	46.00	36.80	38.40	30.60	28.40	25.20		19.80
130.0			56.00	54.00	52.00	44.00	46.00	36.80	38.40	30.60	27.80	25.20		19.80
135.0			54.00	52.00	50.00	44.00	46.00	36.80	38.40	30.60	27.20	25.20	20.80	19.80
140.0				50.00	48.00	44.00	46.00	36.80	38.20	30.60	26.80	25.20	20.40	19.80
145.0				48.00	46.00	44.00	45.00	36.80	37.80	30.60	26.40	25.20	20.00	19.80
150.0				47.00	45.00	43.40	43.40	36.80	37.60	30.60	26.00	25.00	19.60	19.80
155.0					43.40	41.80	41.80	36.80	37.40	30.60	25.60	24.40	19.40	19.80
160.0					42.20	40.40	40.20	36.80	37.20	30.60	25.40	23.80	19.00	19.40
165.0					41.00	39.00	39.00	36.80	37.20	30.60	25.00	23.40	18.60	18.80
170.0					40.00	37.80	37.80	36.80	36.60	30.20	24.80	22.80	18.40	18.40
175.0						36.80	36.60	35.60	35.40	29.40	24.40	22.40	18.00	18.00
180.0						35.60	35.60	34.40	34.20	28.60	24.20	21.80	17.80	17.60
185.0						34.80		33.40	33.20	28.00	24.00	21.40	17.60	17.20
190.0						33.80		32.40	32.20	27.20	23.80	20.80	17.40	16.60
195.0								31.40	31.20	26.80	23.60	20.40	17.20	16.20
200.0								30.60	30.40	26.20	23.40	20.00	17.00	15.80
205.0								30.00		25.80	23.40	19.40	16.80	15.60
210.0										25.20	23.20	19.00	16.60	15.20
215.0										24.80	23.20	18.60	16.40	14.80
220.0										24.40	23.20	18.20	16.40	14.40
225.0										24.00		18.00	16.20	14.20
230.0												17.60	16.20	13.80
235.0												17.20	16.20	13.60
240.0												17.00	16.20	13.20
245.0												16.60		13.00
250.0														12.60
255.0														12.40
260.0														12.20
265.0														12.00

THIS CHART IS ONLY A GUIDE AND SHOULD NOT BE USED TO OPERATE THE CRANE.

The individual crane's load chart, operating instructions and other instructional plates must be read and understood prior to operating the crane

LOAD CHART

Luffing Jib with MegaWingLift™



130.9 ft
(39,89 m)



82.0 ft - 259.2 ft
(25 m - 79 m)



297,600 lb
(135 t)



28.5 ft x 27.8 ft
(8,7 m x 8,5m)



360°



Pounds

Feet	82.0	101.7	121.4	141.1	160.8	180.5		200.1		219.8		239.5		259.2
	0°	0°	0°	0°	0°	0°	22°	0°	22°	0°	22°	0°	22°	0°
60.0	112.00													
65.0	104.00													
70.0	98.00	96.00												
75.0	92.00	90.00	82.00											
80.0	87.00	85.00	82.00	67.00										
85.0	83.00	81.00	80.00	67.00										
90.0	79.00	77.00	75.00	67.00	55.00									
95.0	76.00	73.00	72.00	67.00	55.00	44.00								
100.0		70.00	68.00	66.00	55.00	44.00	46.00	36.60						
105.0		67.00	65.00	63.00	55.00	44.00	46.00	36.60		30.60		25.20		
110.0		64.00	62.00	60.00	55.00	44.00	46.00	36.60		30.60		25.20		
115.0		62.00	59.00	58.00	55.00	44.00	46.00	36.60	38.20	30.60		25.20		20.20
120.0			57.00	55.00	54.00	44.00	46.00	36.60	38.20	30.60		25.20		20.20
125.0			55.00	53.00	52.00	44.00	46.00	36.60	38.20	30.60	28.60	25.20		20.20
130.0			53.00	51.00	50.00	44.00	46.00	36.60	38.20	30.60	28.00	25.20		20.20
135.0			52.00	49.00	48.00	44.00	46.00	36.60	38.20	30.60	27.40	25.20		20.20
140.0				47.00	46.00	44.00	44.00	36.60	37.80	30.60	27.00	25.20	20.60	20.20
145.0				46.00	44.00	42.80	42.60	36.60	37.60	30.60	26.60	25.20	20.20	20.20
150.0				44.00	42.40	41.20	41.00	36.60	37.40	30.60	26.20	25.00	19.80	20.20
155.0				43.40	41.00	39.60	39.60	36.60	37.20	30.60	25.80	24.40	19.40	20.00
160.0					39.80	38.20	38.20	36.60	37.00	30.60	25.60	23.80	18.80	19.60
165.0					38.60	36.80	36.80	36.00	35.80	30.60	25.20	23.40	18.60	19.20
170.0					37.60	35.60	35.60	34.60	34.60	30.40	25.00	22.80	18.20	18.60
175.0					36.80	34.60	34.40	33.40	33.40	29.80	24.60	22.40	18.00	18.20
180.0						33.60	33.40	32.40	32.20	29.00	24.40	21.80	17.80	17.80
185.0						32.60	32.60	31.40	31.20	28.40	24.00	21.40	17.60	17.40
190.0						31.80	31.80	30.40	30.20	27.60	24.00	20.80	17.20	17.00
195.0						31.20		29.60	29.40	27.00	23.80	20.40	17.00	16.40
200.0								28.60	28.40	26.60	23.60	20.00	16.80	16.00
205.0								28.00	27.80	26.00	23.40	19.40	16.80	15.80
210.0								27.40		25.60	23.40	19.00	16.60	15.40
215.0								27.00		25.20	23.20	18.60	16.40	15.00
220.0										24.80	23.20	18.20	16.40	14.60
225.0										24.20	23.20	18.00	16.20	14.40
230.0										22.00		17.60	16.20	14.00
235.0										21.60		17.20	16.20	13.80
240.0												17.00	16.20	13.40
245.0												16.60	16.20	13.20
250.0												16.20		12.80
255.0														12.60
260.0														12.40
265.0														12.20

THIS CHART IS ONLY A GUIDE AND SHOULD NOT BE USED TO OPERATE THE CRANE.

The individual crane's load chart, operating instructions and other instructional plates must be read and understood prior to operating the crane

LOAD CHART

Luffing Jib with MegaWingLift™



147.0 ft
(44,79 m)



82.0 ft - 259.2 ft
(25 m - 79 m)



297,600 lb
(135 t)



28.5 ft x 27.8 ft
(8,7 m x 8,5m)



360°



Pounds

Feet	82.0	101.7	121.4	141.1	160.8	180.5		200.1		219.8		239.5		259.2	
	0°	0°	0°	0°	0°	0°	22°	0°	22°	0°	22°	0°	22°	0°	
60.0	107.00														
65.0	100.00														
70.0	94.00	92.00													
75.0	88.00	87.00	79.00												
80.0	83.00	82.00	79.00	64.00											
85.0	79.00	77.00	76.00	64.00											
90.0	75.00	73.00	72.00	64.00	53.00										
95.0	72.00	70.00	69.00	64.00	53.00	43.60									
100.0	69.00	66.00	65.00	64.00	53.00	43.60	43.80	36.60							
105.0		63.00	62.00	61.00	53.00	43.60	43.80	36.60		30.40					
110.0		61.00	59.00	58.00	53.00	43.60	43.80	36.60		30.40					
115.0		59.00	57.00	55.00	53.00	43.60	43.80	36.60	37.00	30.40		25.00			
120.0		57.00	54.00	53.00	52.00	43.60	43.80	36.60	37.00	30.40		25.00		20.60	
125.0			52.00	50.00	50.00	43.60	43.80	36.60	37.00	30.40	29.00	25.00		20.60	
130.0			49.00	48.00	48.00	43.60	43.80	36.60	37.00	30.40	28.40	25.00		20.60	
135.0			48.00	47.00	46.00	43.60	43.80	36.60	37.00	30.40	27.80	25.00		20.60	
140.0				45.00	44.00	42.40	42.40	36.60	37.00	30.40	27.20	25.00	20.80	20.60	
145.0				43.40	42.40	40.80	40.60	36.60	37.00	30.40	26.60	25.00	20.40	20.60	
150.0				42.00	40.80	39.20	39.00	36.60	37.00	30.40	26.40	25.00	20.00	20.60	
155.0				40.80	39.40	37.60	37.60	36.60	36.60	30.40	26.00	24.80	19.60	20.40	
160.0				39.80	38.20	36.20	36.20	35.40	35.20	30.40	25.60	24.20	19.40	19.80	
165.0					37.00	35.00	35.00	34.20	34.00	30.40	25.40	23.80	19.00	19.40	
170.0					35.80	33.80	33.80	32.80	32.80	30.40	25.00	23.20	18.80	19.00	
175.0					35.00	32.60	32.60	31.80	31.60	30.00	24.80	22.80	18.40	18.40	
180.0						31.60	31.60	30.60	30.40	29.40	24.40	22.40	18.20	18.00	
185.0							30.80	30.60	29.60	29.40	28.80	24.20	21.80	18.00	17.60
190.0							29.80	29.80	28.60	28.40	27.80	24.00	21.40	17.60	17.20
195.0							29.20		27.80	27.60	27.00	23.80	21.00	17.40	16.80
200.0								27.00	26.80	26.00	23.60	20.40	17.20	16.40	
205.0								26.20	26.00	25.20	23.40	20.00	17.00	16.00	
210.0								25.60		24.40	23.40	19.60	16.80	15.60	
215.0								25.00		23.80	23.20	19.20	16.60	15.20	
220.0										23.20	23.00	18.80	16.60	14.80	
225.0										22.60	22.40	18.40	16.40	14.60	
230.0										20.60		18.00	16.20	14.20	
235.0										20.00		17.80	16.20	13.80	
240.0										19.60		17.40	16.20	13.60	
245.0												17.20	16.20	13.40	
250.0												16.80		13.00	
255.0												16.60		12.80	
260.0														12.60	
265.0														12.20	
270.0														12.00	
275.0														11.80	

THIS CHART IS ONLY A GUIDE AND SHOULD NOT BE USED TO OPERATE THE CRANE.

The individual crane's load chart, operating instructions and other instructional plates must be read and understood prior to operating the crane

LOAD CHART

Luffing Jib with MegaWingLift™



163.0 ft
(49,69 m)



82.0 ft - 259.2 ft
(25 m - 79 m)



297,600 lb
(135 t)



28.5 ft x 27.8 ft
(8,7 m x 8,5m)



360°



Pounds

Feet	82.0	101.7	121.4	141.1	160.8	180.5		200.1		219.8		239.5		259.2
	0°	0°	0°	0°	0°	0°	22°	0°	22°	0°	22°	0°	22°	0°
70.0	89.00													
75.0	84.00	83.00												
80.0	79.00	79.00	74.00											
85.0	75.00	74.00	73.00											
90.0	71.00	70.00	69.00	61.00										
95.0	68.00	67.00	66.00	61.00	50.00									
100.0	65.00	64.00	63.00	61.00	50.00	41.40								
105.0	62.00	61.00	60.00	58.00	50.00	41.40	42.00	35.00						
110.0	61.00	58.00	57.00	55.00	50.00	41.40	42.00	35.00						
115.0		56.00	54.00	53.00	50.00	41.40	42.00	35.00		29.80				
120.0		54.00	52.00	50.00	50.00	41.40	42.00	35.00	35.20	29.80		24.60		20.80
125.0			50.00	48.00	48.00	41.40	42.00	35.00	35.20	29.80		24.60		20.80
130.0			48.00	46.00	46.00	41.40	42.00	35.00	35.20	29.80		24.60		20.80
135.0			46.00	45.00	43.80	41.40	42.00	35.00	35.20	29.80	28.00	24.60		20.80
140.0			45.00	42.80	42.00	40.60	40.60	35.00	35.20	29.80	27.40	24.60		20.80
145.0				41.20	40.40	39.00	38.80	35.00	35.20	29.80	26.80	24.60	20.60	20.80
150.0				39.80	39.00	37.40	37.40	35.00	35.20	29.80	26.40	24.60	20.20	20.80
155.0				38.60	37.60	36.00	35.80	35.00	35.00	29.80	26.00	24.60	19.80	20.40
160.0				37.60	36.20	34.60	34.60	33.80	33.60	29.80	25.80	24.20	19.60	20.00
165.0					35.00	33.40	33.20	32.40	32.40	29.80	25.40	23.80	19.20	19.60
170.0					34.00	32.20	32.00	31.20	31.20	29.80	25.20	23.40	19.00	19.00
175.0					33.00	31.00	31.00	30.20	30.00	29.40	24.80	23.00	18.60	18.60
180.0					32.20	30.00	29.00	29.00	29.00	28.40	24.60	22.60	18.40	18.20
185.0						30.00	28.20	28.00	28.00	27.40	24.40	22.00	18.00	17.80
190.0						29.00	27.40	27.20	27.00	26.40	24.20	21.60	17.80	17.40
195.0						28.20		26.20	26.00	25.40	23.80	21.20	17.60	17.00
200.0						27.40		25.40	25.20	24.60	23.80	20.80	17.40	16.60
205.0						26.80		24.60	24.60	23.80	23.60	20.40	17.20	16.20
210.0								24.00	23.80	23.00	23.00	20.00	17.00	15.80
215.0								23.40	23.20	22.40	22.20	19.40	16.80	15.40
220.0								22.80		21.60	21.60	19.00	16.60	15.20
225.0										21.00	21.00	18.80	16.40	14.80
230.0										20.60	20.40	18.40	16.40	14.40
235.0										20.00	19.80	18.00	16.20	14.20
240.0										19.60		17.60	16.20	13.80
245.0												17.40	16.00	13.60
250.0												17.00	16.00	13.20
255.0												16.80	16.00	13.00
260.0												16.40		12.80
265.0														12.40
270.0														12.20
275.0														12.00

THIS CHART IS ONLY A GUIDE AND SHOULD NOT BE USED TO OPERATE THE CRANE.

The individual crane's load chart, operating instructions and other instructional plates must be read and understood prior to operating the crane

LOAD CHART

Luffing Jib with MegaWingLift™



179.1 ft
(54,59 m)



82.0 ft - 259.2 ft
(25 m - 79 m)



297,600 lb
(135 t)



28.5 ft x 27.8 ft
(8,7 m x 8,5m)



360°



Pounds

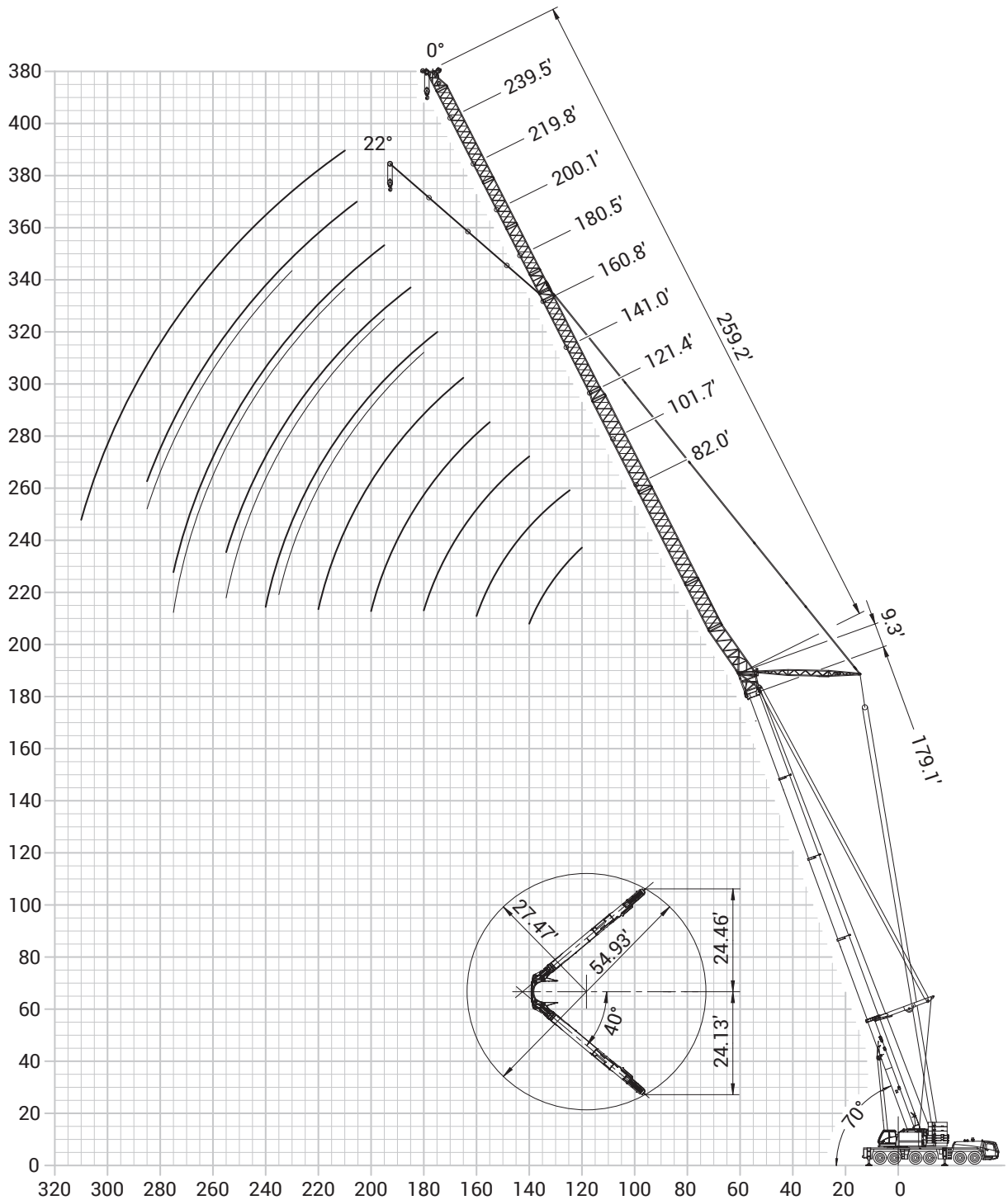
Feet	82.0	101.7	121.4	141.1	160.8	180.5		200.1		219.8		239.5		259.2
	0°	0°	0°	0°	0°	0°	22°	0°	22°	0°	22°	0°	22°	0°
75.0	81.00													
80.0	76.00	75.00												
85.0	72.00	71.00												
90.0	68.00	67.00	67.00											
95.0	65.00	64.00	63.00	58.00										
100.0	62.00	61.00	60.00	58.00	48.00									
105.0	59.00	58.00	57.00	56.00	48.00	39.20	39.60							
110.0	57.00	55.00	54.00	53.00	48.00	39.20	39.60							
115.0		53.00	52.00	51.00	48.00	39.20	39.60	33.20						
120.0		51.00	50.00	48.00	48.00	39.20	39.60	33.20		28.20				
125.0		49.00	48.00	46.00	48.00	39.20	39.60	33.20	33.60	28.20		23.40		19.60
130.0		48.00	46.00	44.00	43.80	39.20	39.60	33.20	33.60	28.20		23.40		19.60
135.0			44.00	42.40	42.00	39.20	39.60	33.20	33.60	28.20		23.40		19.60
140.0			42.60	40.80	40.20	38.80	38.60	33.20	33.60	28.20	26.80	23.40		19.60
145.0			41.40	39.20	38.60	37.20	37.00	33.20	33.60	28.20	26.40	23.40		19.60
150.0			40.20	37.80	37.20	35.60	35.60	33.20	33.60	28.20	26.20	23.40		19.60
155.0				36.60	35.80	34.20	34.20	33.20	33.40	28.20	26.00	23.40		19.60
160.0				35.40	34.60	33.00	32.80	32.00	32.00	28.20	25.60	23.40	19.60	19.60
165.0				34.40	33.40	31.60	31.60	30.80	30.80	28.20	25.40	23.40	19.40	19.40
170.0				33.60	32.20	30.60	30.40	29.60	29.60	28.20	25.20	23.20	19.00	19.00
175.0					31.20	29.40	29.40	28.60	28.40	28.00	24.80	23.00	18.80	18.60
180.0					30.20	28.40	28.40	27.60	27.40	26.80	24.60	22.60	18.60	18.40
185.0					29.60	27.40	27.40	26.60	26.40	25.80	24.40	22.20	18.20	18.00
190.0					29.00	26.60	26.40	25.60	25.60	25.00	24.20	21.80	18.00	17.60
195.0						25.80	25.60	24.80	24.60	24.00	24.00	21.40	17.80	17.20
200.0						25.00	25.00	24.00	23.80	23.20	23.80	21.00	17.60	16.80
205.0						24.40		23.20	23.00	22.40	23.00	20.60	17.20	16.40
210.0								22.40	22.40	21.60	22.20	20.20	17.00	16.00
215.0								21.80	21.60	21.00	21.40	19.80	16.80	15.60
220.0								21.20	21.20	20.20	20.80	19.40	16.60	15.40
225.0								20.80		19.60	20.20	19.00	16.60	15.00
230.0										19.20	19.60		16.40	14.60
235.0										18.60	19.00		16.40	14.40
240.0										18.20	18.60		16.20	14.00
245.0										17.80			16.20	13.80
250.0													16.00	13.40
255.0													16.00	13.20
260.0													15.60	13.00
265.0														12.60
270.0														12.40
275.0														12.20
280.0														12.00

THIS CHART IS ONLY A GUIDE AND SHOULD NOT BE USED TO OPERATE THE CRANE.

The individual crane's load chart, operating instructions and other instructional plates must be read and understood prior to operating the crane

WORKING RANGE

Main Boom, Luffing Jib with MegaWingLift™



THIS CHART IS ONLY A GUIDE AND SHOULD NOT BE USED TO OPERATE THE CRANE.

The individual crane's load chart, operating instructions and other instructional plates must be read and understood prior to operating the crane

LOAD CHART

Luffing Jib with MegaWingLift™



179.1 ft
(54,59 m)



82.0 ft - 259.2 ft
(25 m - 79 m)



297,600 lb
(135 t)



28.5 ft x 27.8 ft
(8,7 m x 8,5m)



360°



Pounds

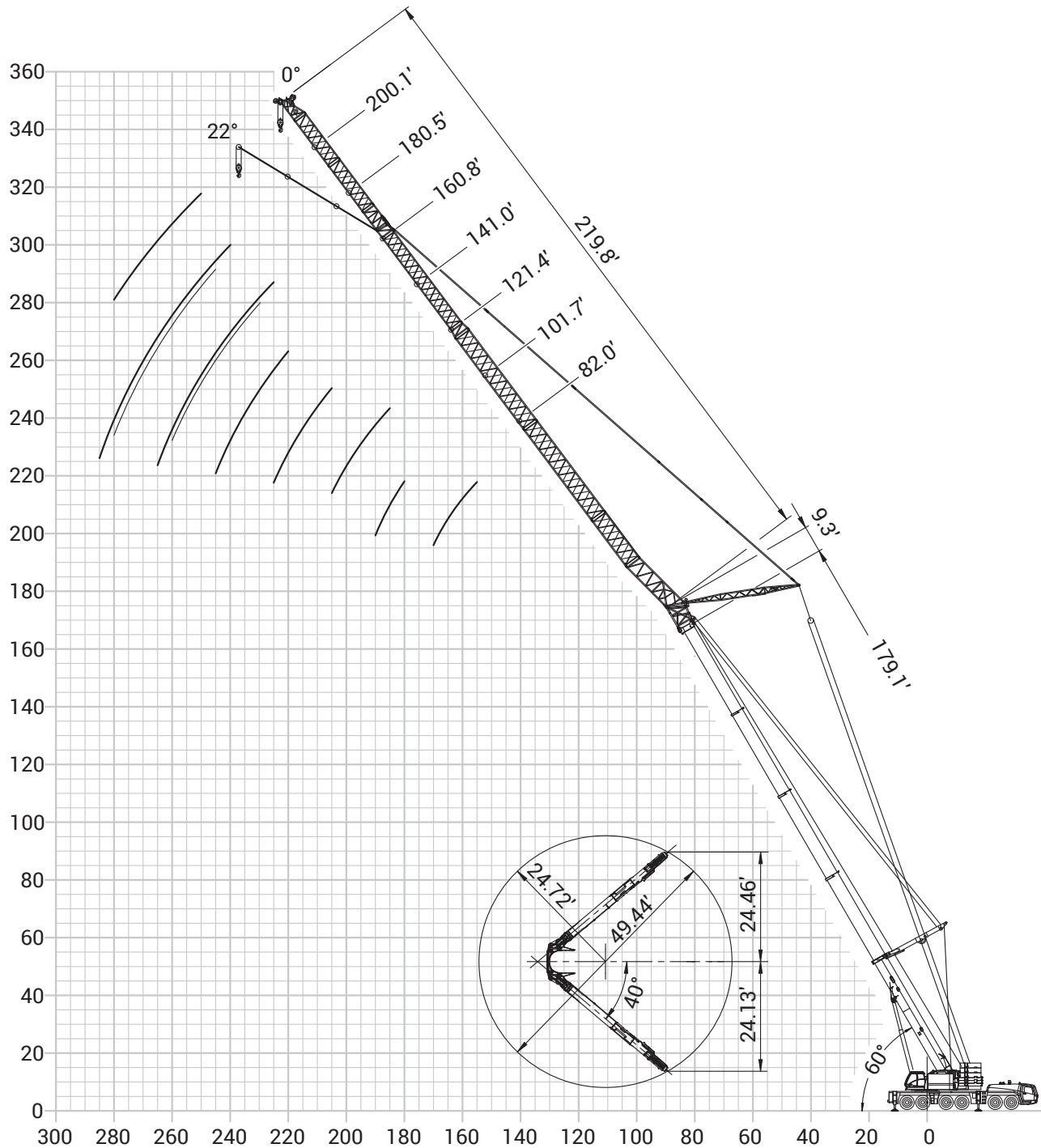
Feet	82.0	101.7	121.4	141.1	160.8	180.5		200.1		219.8		239.5		259.2
	0°	0°	0°	0°	0°	0°	22°	0°	22°	0°	22°	0°	22°	0°
120.0	47.00													
125.0	45.00	43.60												
130.0	43.00	41.80												
135.0	41.00	39.80												
140.0	39.20	38.20	36.80											
145.0		36.40	35.20											
150.0		35.00	33.80											
155.0		33.40	32.40	31.40										
160.0		32.00	31.00	30.20										
165.0			29.80	29.00	28.00									
170.0			28.60	27.80	26.80									
175.0			27.40	26.60	25.80	24.60								
180.0			26.20	25.60	24.80	23.60	23.60							
185.0				24.60	23.80	22.60	22.60	21.80						
190.0				23.60	22.80	21.60	21.60	20.80						
195.0				22.60	21.80	20.80	20.80	20.00	20.00	20.00				
200.0				21.80	21.00	20.00	20.00	19.20	19.20	19.20				
205.0					20.20	19.20	19.20	18.40	18.40	18.40		17.40		
210.0					19.40	18.40	18.40	17.60	17.60	17.60	17.60	16.60		15.60
215.0					18.60	17.60	17.60	16.80	16.80	16.80	16.80	16.00		15.00
220.0					17.80	17.00	17.00	16.20	16.20	16.20	16.20	15.40		14.40
225.0						16.20	16.20	15.40	15.60	15.60	15.60	14.60		13.80
230.0						15.60	15.60	14.80	14.80	14.80	15.00	14.00	14.00	13.20
235.0						15.00	14.80	14.20	14.20	14.20	14.40	13.40	13.40	12.60
240.0						14.20		13.60	13.60	13.60	13.80	12.80	12.80	12.00
245.0								13.00	13.20	13.20	13.20	12.40	12.20	11.60
250.0								12.60	12.60	12.60	12.60	11.80	11.80	11.00
255.0								12.00	12.00	12.00	12.00	11.20	11.20	10.40
260.0										11.60	11.60	10.80	10.80	10.00
265.0										11.00	11.00	10.20	10.20	9.60
270.0										10.60	10.60	9.80	9.80	9.00
275.0										10.00	10.00	9.40	9.40	8.60
280.0												9.00	9.00	8.20
285.0												8.60	8.60	7.80
290.0														7.40
295.0														7.00
300.0														6.60
305.0														6.20
310.0														5.80

THIS CHART IS ONLY A GUIDE AND SHOULD NOT BE USED TO OPERATE THE CRANE.

The individual crane's load chart, operating instructions and other instructional plates must be read and understood prior to operating the crane

WORKING RANGE

Main Boom, Luffing Jib with MegaWingLift™



THIS CHART IS ONLY A GUIDE AND SHOULD NOT BE USED TO OPERATE THE CRANE.

The individual crane's load chart, operating instructions and other instructional plates must be read and understood prior to operating the crane

LOAD CHART

Luffing Jib with MegaWingLift™



179.1 ft
(54,59 m)



82.0 ft - 219.8 ft
(25 m - 67 m)



297,600 lb
(135 t)



28.5 ft x 27.8 ft
(8,7 m x 8,5m)



360°



Pounds

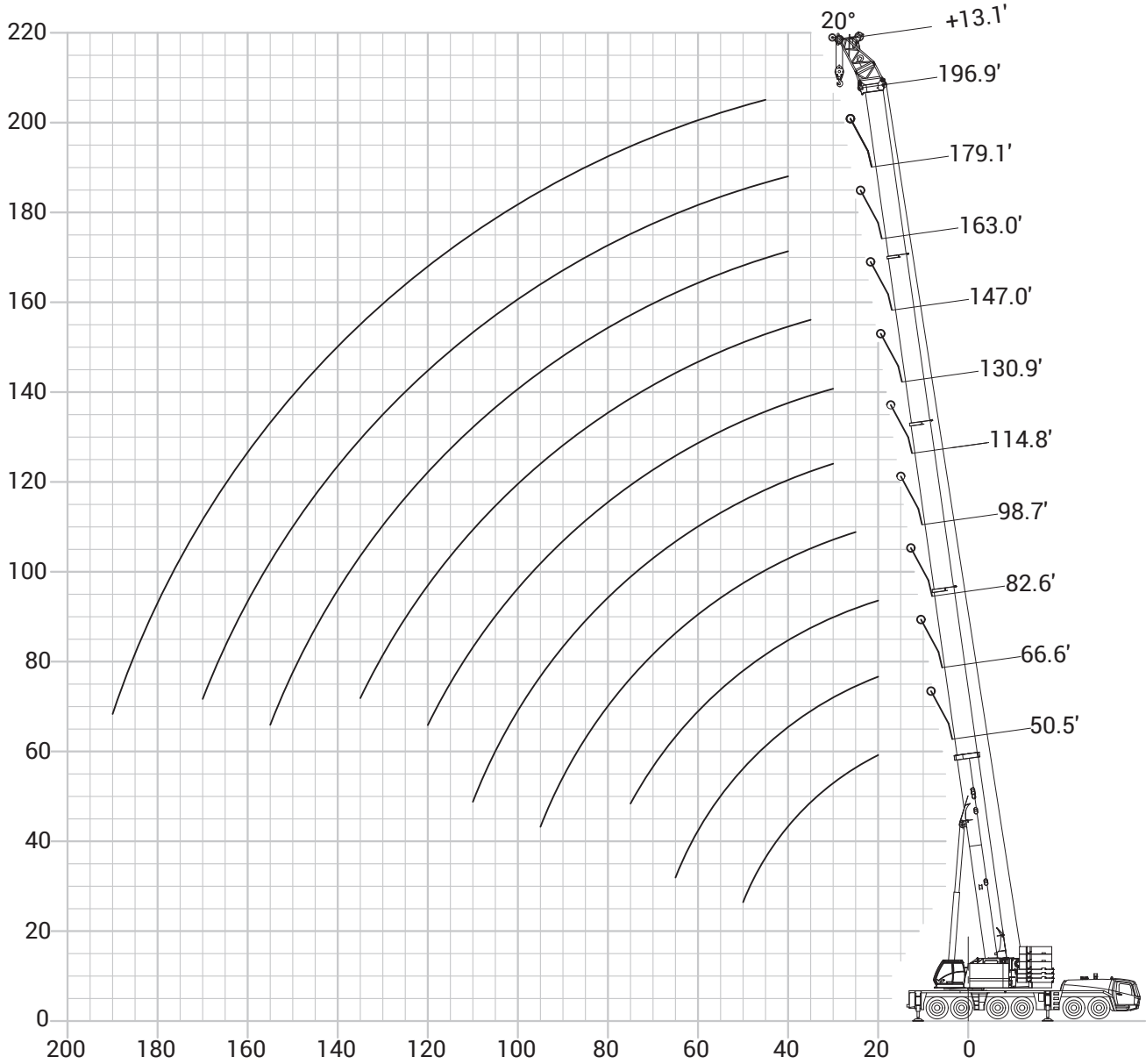
Feet	82.0	101.7	121.4	141.1	160.8	180.5		200.1		219.8
	0°	0°	0°	0°	0°	0°	22°	0°	22°	0°
155.0	26.40									
160.0	25.40									
165.0	24.20									
170.0	23.20									
175.0										
180.0		20.00								
185.0		19.20	18.00							
190.0		18.40	17.20							
195.0			16.60							
200.0			15.80							
205.0			15.20	13.80						
210.0				13.20						
215.0				12.60						
220.0				12.00	11.80					
225.0				11.40	11.00	9.40				
230.0					10.40	9.00	9.00			
235.0					10.00	8.40	8.40			
240.0					9.40	8.00	8.00	7.20		
245.0					9.00	7.60	7.60	6.80	6.80	
250.0						7.20	7.20	6.40	6.40	5.60
255.0						6.60	6.60	6.00	6.00	5.20
260.0						6.20	6.20	5.60	5.60	4.80
265.0						5.80		5.20	5.20	4.60
270.0								4.80	4.80	4.20
275.0								4.40	4.40	3.80
280.0								4.00	4.00	3.40
285.0								3.60		

THIS CHART IS ONLY A GUIDE AND SHOULD NOT BE USED TO OPERATE THE CRANE.

The individual crane's load chart, operating instructions and other instructional plates must be read and understood prior to operating the crane

WORKING RANGE

Heavy Duty Jib



THIS CHART IS ONLY A GUIDE AND SHOULD NOT BE USED TO OPERATE THE CRANE.

The individual crane's load chart, operating instructions and other instructional plates must be read and understood prior to operating the crane

LOAD CHART

Luffing Jib with MegaWingLift™



114.8 ft - 196.9 ft
(34,9 m - 60,0 m)



13.1 ft
(4,0 m)



297,600 lb
(135 t)



28.5 ft x 27.8 ft
(8,7 m x 8,5m)

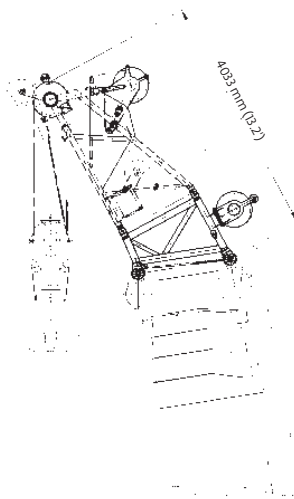


360°



Pounds

Feet	114.8	130.9	147.0	163.0	179.1	196.9
35.0	165.00	137.00	120.00			
40.0	164.00	126.00	112.00	99.00	82.00	
45.0	155.00	116.00	104.00	94.00	82.00	66.00
50.0	146.00	106.00	97.00	89.00	81.00	66.00
55.0	138.00	99.00	90.00	83.00	77.00	66.00
60.0	126.00	91.00	83.00	77.00	72.00	65.00
65.0	114.00	84.00	77.00	72.00	68.00	62.00
70.0	104.00	78.00	72.00	68.00	64.00	59.00
75.0	95.00	73.00	68.00	64.00	60.00	56.00
80.0	87.00	68.00	64.00	59.00	57.00	52.00
85.0	80.00	63.00	59.00	56.00	53.00	49.00
90.0	74.00	59.00	56.00	53.00	50.00	47.00
95.0	69.00	55.00	52.00	49.00	47.00	44.00
100.0	64.00	52.00	49.00	47.00	45.00	41.80
105.0	60.00	49.00	46.00	44.00	42.40	39.80
110.0	53.00	46.00	43.00	41.60	40.20	37.60
115.0		43.40	40.60	39.40	38.20	35.60
120.0		41.20	38.40	37.20	36.20	33.80
125.0			36.20	35.00	34.40	32.00
130.0			34.20	33.00	32.60	30.40
135.0			32.40	31.40	31.00	28.80
140.0				29.60	29.60	27.20
145.0				28.00	28.00	25.60
150.0				26.60	26.50	24.40
155.0				25.00	25.00	23.20
160.0					23.60	22.00
165.0					22.20	20.80
170.0					21.00	19.80
175.0						18.80
180.0						18.00
185.0						17.00
190.0						16.20

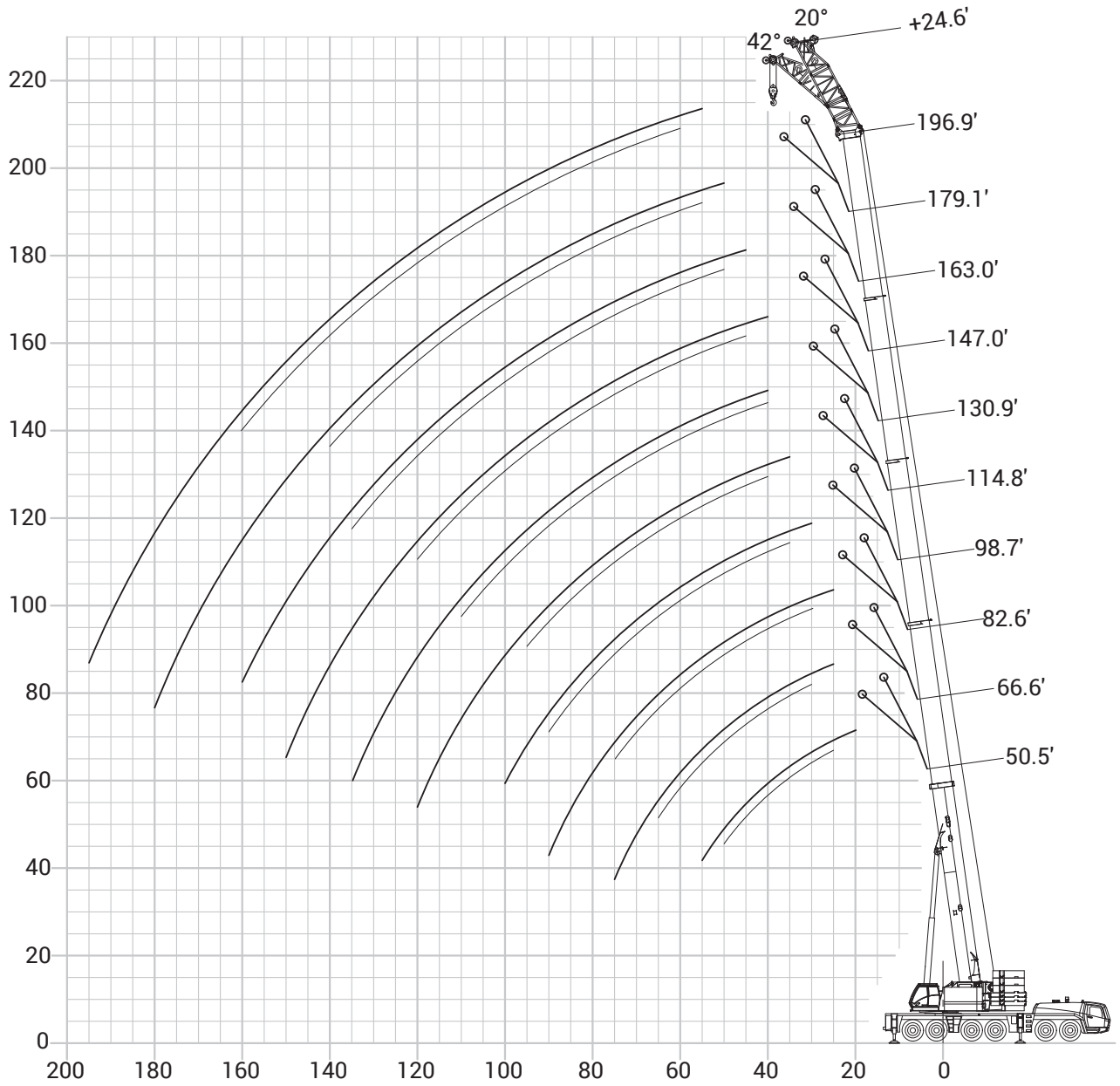


THIS CHART IS ONLY A GUIDE AND SHOULD NOT BE USED TO OPERATE THE CRANE.

The individual crane's load chart, operating instructions and other instructional plates must be read and understood prior to operating the crane

WORKING RANGE

Main Boom and Heavy Duty Jib



THIS CHART IS ONLY A GUIDE AND SHOULD NOT BE USED TO OPERATE THE CRANE.

The individual crane's load chart, operating instructions and other instructional plates must be read and understood prior to operating the crane

LOAD CHART

Heavy Duty Jib



114.8 ft - 196.9 ft
(34,9 m - 60,0 m)



24.6 ft
(7,5 m)



297,600 lb
(135 t)



28.5 ft x 27.8 ft
(8,7 m x 8,5m)

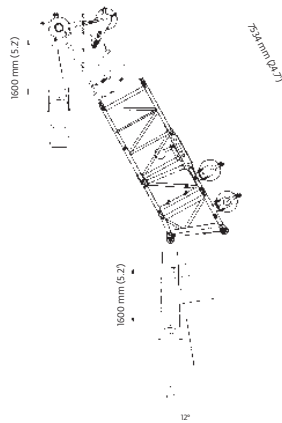


360°



Pounds

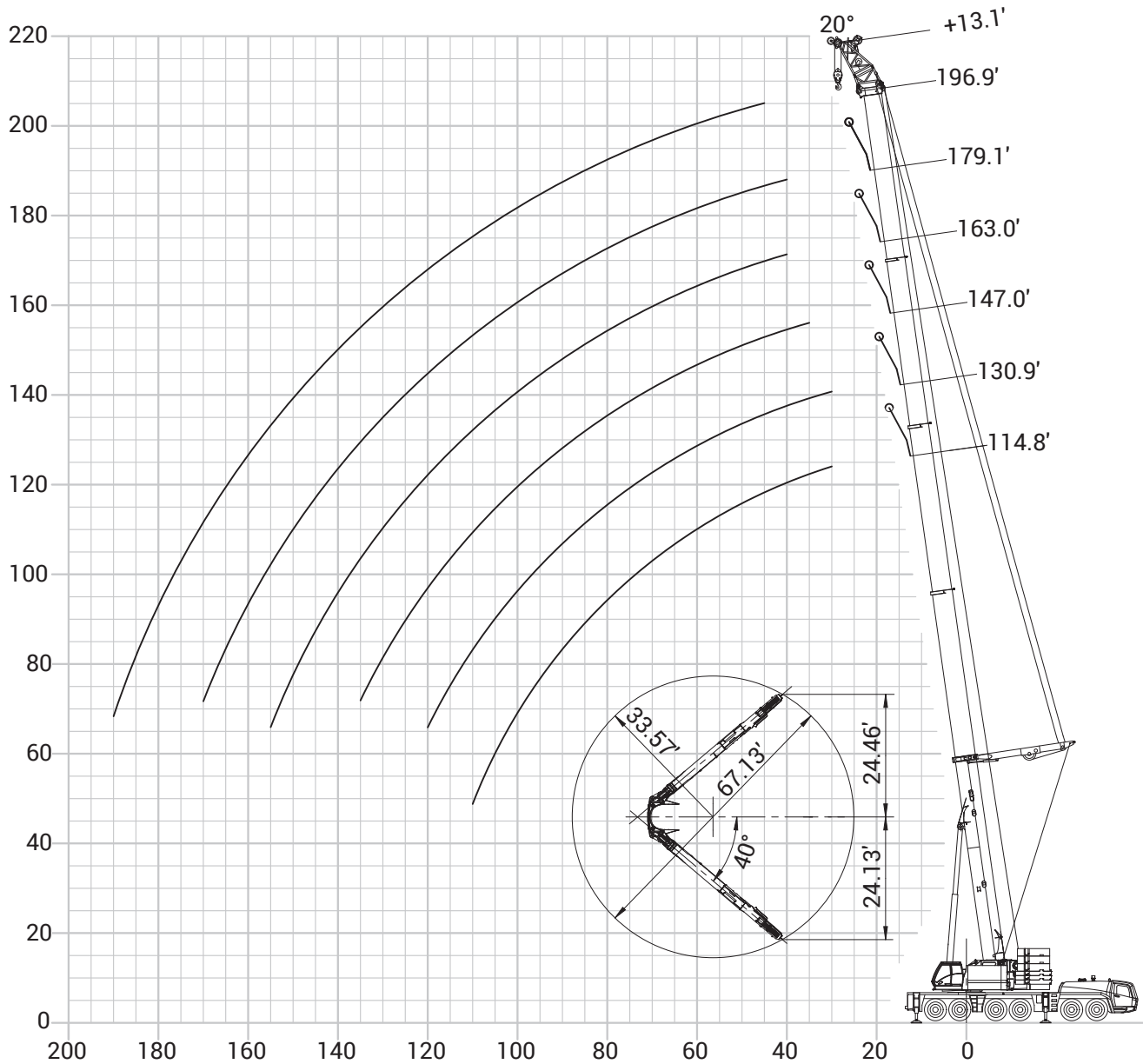
Feet	114.8	130.9	147.0	163.0	179.1	196.9
35.0	93.00					
40.0	89.00	90.00	94.00			
45.0	86.00	87.00	92.00	85.00		
50.0	83.00	84.00	90.00	83.00	72.00	
55.0	80.00	82.00	84.00	78.00	70.00	59.00
60.0	77.00	79.00	78.00	73.00	67.00	59.00
65.0	75.00	77.00	73.00	68.00	64.00	58.00
70.0	73.00	73.00	68.00	64.00	60.00	55.00
75.0	71.00	69.00	64.00	60.00	57.00	52.00
80.0	69.00	65.00	60.00	56.00	53.00	49.00
85.0	68.00	61.00	56.00	52.00	50.00	47.00
90.0	67.00	57.00	53.00	49.00	47.00	44.00
95.0	65.00	53.00	50.00	46.00	45.00	41.80
100.0	64.00	50.00	47.00	43.80	42.20	39.40
105.0	60.00	47.00	43.80	41.40	40.00	37.40
110.0	56.00	44.00	41.20	39.20	37.80	35.20
115.0	52.00	41.40	38.80	37.00	35.80	33.40
120.0	49.00	39.20	36.60	35.00	34.00	31.60
125.0		37.00	34.40	33.20	32.00	29.80
130.0		35.00	32.60	31.40	30.40	27.80
135.0		33.00	30.80	29.60	28.80	26.20
140.0			29.00	27.60	27.00	25.00
145.0			27.40	25.80	25.40	23.60
150.0			25.80	24.60	24.20	22.40
155.0				23.20	23.00	21.20
160.0				21.80	21.80	20.20
165.0					20.60	19.00
170.0					19.40	18.00
175.0					18.40	17.00
180.0					17.40	16.20
185.0						15.20
190.0						14.40
195.0						13.60



THIS CHART IS ONLY A GUIDE AND SHOULD NOT BE USED TO OPERATE THE CRANE.
The individual crane's load chart, operating instructions and other instructional plates must be read and understood prior to operating the crane

WORKING RANGE

Main Boom, Heavy Duty Jib, and MegaWingLift™



THIS CHART IS ONLY A GUIDE AND SHOULD NOT BE USED TO OPERATE THE CRANE.

The individual crane's load chart, operating instructions and other instructional plates must be read and understood prior to operating the crane

LOAD CHART

Heavy Duty Jib and MegaWingLift™



114.8 ft - 196.9 ft
(34,9 m - 60,0 m)



13.1 ft
(4,0 m)



297,600 lb
(135 t)



28.5 ft x 27.8 ft
(8,7 m x 8,5m)

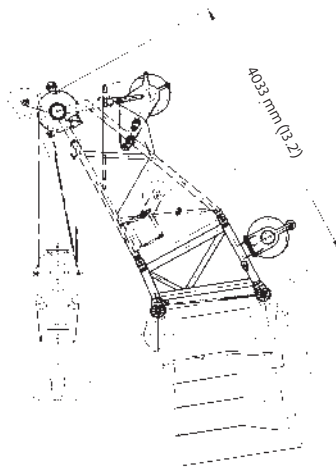


360°



Pounds

Feet	114.8	130.9	147.0	163.0	179.1	196.9
30.0	165.00	165.00				
35.0	165.00	165.00	165.00			
40.0	165.00	165.00	161.00	157.00	150.00	
45.0	160.00	152.00	147.00	143.00	141.00	128.00
50.0	148.00	140.00	135.00	132.00	130.00	121.00
55.0	134.00	131.00	126.00	122.00	120.00	114.00
60.0	121.00	120.00	117.00	114.00	111.00	108.00
65.0	110.00	109.00	110.00	107.00	104.00	101.00
70.0	100.00	99.00	100.00	100.00	98.00	95.00
75.0	91.00	90.00	91.00	92.00	93.00	89.00
80.0	83.00	82.00	83.00	84.00	85.00	85.00
85.0	76.00	75.00	75.00	77.00	78.00	78.00
90.0	70.00	69.00	69.00	70.00	72.00	72.00
95.0	64.00	63.00	64.00	65.00	66.00	67.00
100.0	59.00	58.00	59.00	60.00	61.00	62.00
105.0	52.00	54.00	54.00	55.00	56.00	57.00
110.0	45.00	49.00	50.00	51.00	52.00	53.00
115.0		45.00	46.00	47.00	49.00	49.00
120.0		38.80	42.80	43.80	45.00	46.00
125.0			39.60	40.80	42.20	42.60
130.0			35.40	37.80	39.20	39.60
135.0			30.20	35.20	36.60	37.00
140.0				32.80	34.20	34.60
145.0				28.60	31.80	32.20
150.0				24.20	29.80	30.20
155.0				23.00	27.20	28.20
160.0					23.80	26.20
165.0					20.00	24.40
170.0					18.60	22.00
175.0						19.20
180.0						16.00
185.0						13.80
190.0						11.60

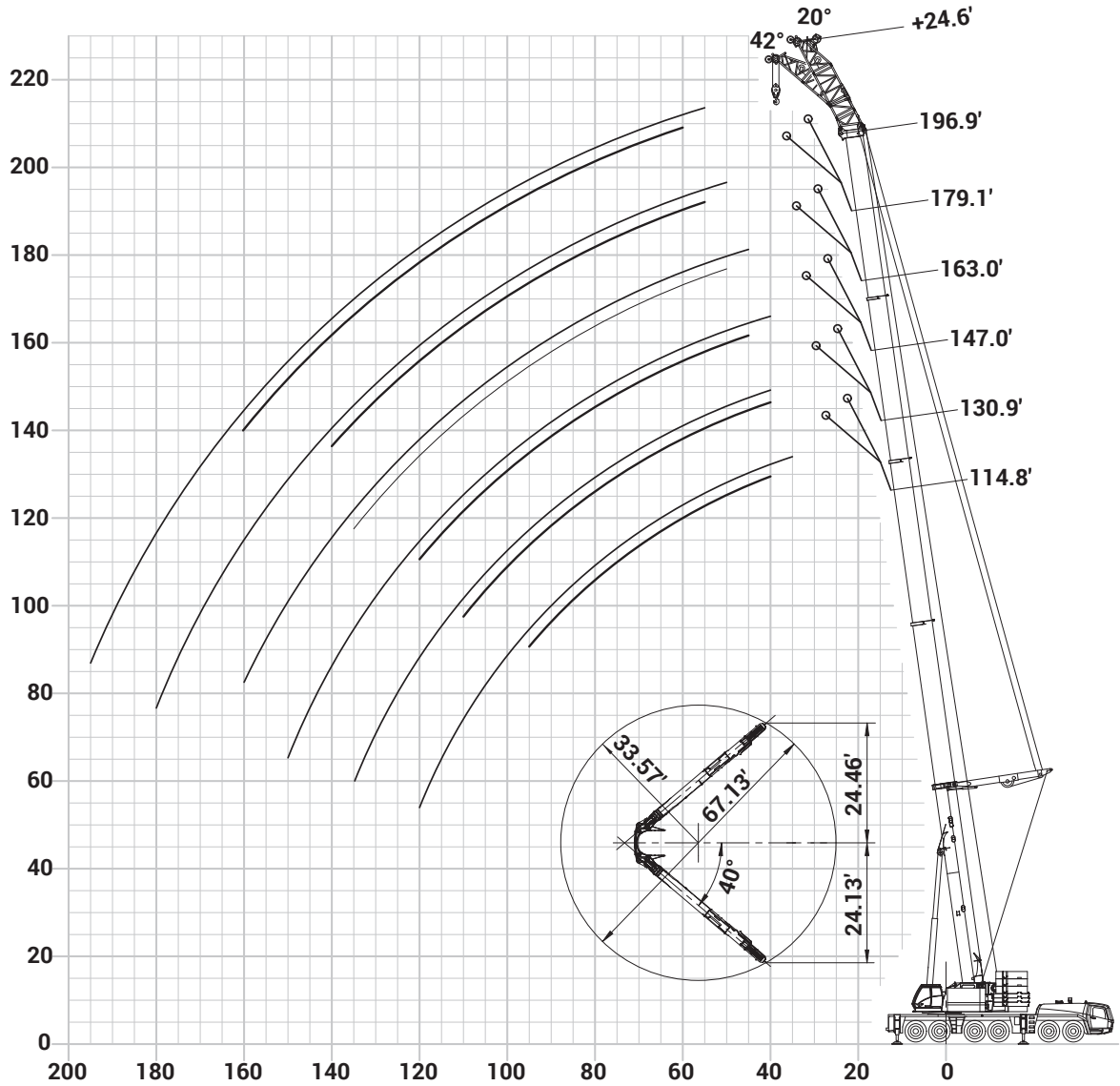


THIS CHART IS ONLY A GUIDE AND SHOULD NOT BE USED TO OPERATE THE CRANE.

The individual crane's load chart, operating instructions and other instructional plates must be read and understood prior to operating the crane

WORKING RANGE

Main Boom, Heavy Duty Jib, and MegaWingLift™



THIS CHART IS ONLY A GUIDE AND SHOULD NOT BE USED TO OPERATE THE CRANE.

The individual crane's load chart, operating instructions and other instructional plates must be read and understood prior to operating the crane

LOAD CHART

Heavy Duty Jib and MegaWingLift™



114.8 ft - 196.9 ft
(34,9 m - 60,0 m)



24.6 ft
(7,5 m)



297,600 lb
(135 t)



28.5 ft x 27.8 ft
(8,7 m x 8,5m)

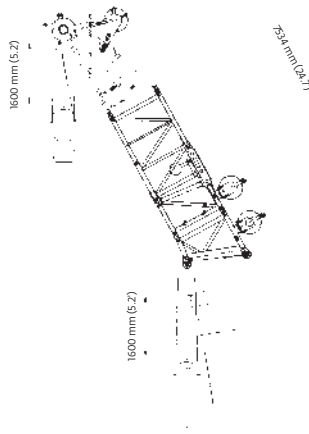


360°



Pounds

Feet	114.8	130.9	147.0	163.0	179.1	196.9
35.0	97.00					
40.0	94.00	95.00	97.00			
45.0	91.00	93.00	94.00	95.00		
50.0	89.00	90.00	92.00	93.00	93.00	
55.0	86.00	88.00	90.00	91.00	91.00	91.00
60.0	84.00	86.00	88.00	89.00	90.00	89.00
65.0	82.00	84.00	86.00	87.00	88.00	87.00
70.0	80.00	82.00	84.00	86.00	86.00	84.00
75.0	78.00	81.00	83.00	84.00	84.00	81.00
80.0	77.00	79.00	81.00	82.00	82.00	78.00
85.0	76.00	77.00	77.00	78.00	79.00	74.00
90.0	71.00	70.00	70.00	71.00	73.00	71.00
95.0	66.00	64.00	65.00	66.00	67.00	67.00
100.0	60.00	59.00	60.00	56.00	62.00	62.00
105.0	56.00	55.00	55.00	52.00	57.00	57.00
110.0	52.00	51.00	51.00	48.00	53.00	53.00
115.0	46.00	47.00	47.00	44.00	49.00	49.00
120.0	41.00	43.20	43.60	41.20	46.00	46.00
125.0		39.80	40.20	38.20	42.40	42.60
130.0		34.20	37.40	35.60	39.60	39.60
135.0			34.60	33.00	36.80	36.80
140.0			31.00	30.60	34.20	34.40
145.0			26.40	28.40	32.00	32.00
150.0			24.00	24.80	29.80	29.80
155.0				20.80	27.60	27.80
160.0					25.80	26.00
165.0					23.40	24.20
170.0					20.20	22.40
175.0					16.80	20.80
180.0					16.00	18.40
185.0						15.80
190.0						13.00
195.0						11.20



THIS CHART IS ONLY A GUIDE AND SHOULD NOT BE USED TO OPERATE THE CRANE.

The individual crane's load chart, operating instructions and other instructional plates must be read and understood prior to operating the crane

SPECIFICATIONS

Superstructure



Boom

51 ft - 197 ft (15,4 m - 60,0 m) five-section, full power MEGAFORM™ boom with TWIN-LOCK™ Pinning.
Maximum tip height: 206 ft (63 m).



Boom nose

Ten nylatron sheaves, mounted on heavy duty tapered roller bearings with removable pin-type rope guards.
Quick reeve boom nose. Optional removable auxiliary boom nose with removable pin type rope guard.



Boom elevation

Single lift cylinder with safety valve provides boom angle from -1.5° to +82°.



*Optional jibs

82 ft - 259 ft (25 m - 79 m) luffing jib and offsettable 39 ft - 210 ft (12 m - 64 m) fixed jib (3° to 25°).
Maximum tip height: 448 ft (136.6 m).

*MegaWingLift™

Lift enhancing system to improve load charts. The self-rigging MegaWingLift™ can be installed without the help of an auxiliary crane.



Load moment and anti-two block system

Load moment and anti-two block system with audio/visual warning and control lever lockout provides electronic display of boom angle, length, radius, tip height, relative load moment, maximum permissible load, load indication and warning of impending two-block condition with lock-out hoist function.



Cab

All aluminum constructed cab, hydraulically tiltable up to 20°. Includes safety glass, hinged front window with wiper, sliding door and window, sun visor and window shade, adjustable operator's seat with suspension, hot water heater / defroster and air conditioning. Other features include armrest-integrated crane controls, ergonomically arranged instrumentation, radio, working range limiter and engine independent diesel cab heater, with engine pre-heater and includes a 24-hour timer.



Control system

Full electronic control of all crane movements using electrical control levers with automatic reset to zero. Integrated with the RCL and engine management system by CAN-BUS. Crane Control System (CCS) with system with graphic display and Grove CONNECT telematics system.



Swing

3 slewing gears with axial piston motors, planetary reduction gear and automatic brake. Infinitely variable to 1.33 rpm.



Counterweight

297,600 lb (135 t) consisting of various sections with hydraulic installation/removal system controlled from the superstructure cab.
Vehicle width 9.8 ft (3,0 m).



Hydraulic system

Hydraulic tank capacity: 343 gal (1300 L). Five separate circuits, three axial piston variable displacement pumps with power limiting control and two gear pumps for slewing. Standard thermostatically controlled oil coolers keep oil at optimum operating temperature. Driven by hydraulic motor.

SPECIFICATIONS



Hoist

Axial piston motor with planetary gear and brake. Drum rotation indicator.

	Main	Auxiliary
Rope length	1247 ft (380 m)	2263 ft (690 m)
Rope diameter	24 mm	24 mm
Line speed	397 fpm (121 m/min)	397 fpm (121 m/min)
Line pull	24,728 lb (110 kN)	23,380 lb (104 kN)

Hoist camera and light included. Auxiliary hoist is self-rigging.

*Optional Hook Blocks

Lifting capacity	Sheaves	Weight	Possible load with the crane*
352 USt (320 t)	11	7716 lb (3500 kg)	259 USt (235 t)**
275 USt (250 t)	9	6614 lb (3000 kg)	237 USt (215 t)
220 USt (200 t)	7	5291 lb (2400 kg)	199 USt (181 t)
176 USt (160 t)	5	3669 lb (1800 kg)	147 USt (134 t)
110 USt (100 t)	3	2866 lb (1300 kg)	95 USt (87 t)
44 USt (40 t)	1	1874 lb (850 kg)	41 USt (38 t)
18 USt (16 t)	H/B	992 lb (450 kg)	13 USt (12,5 t)

* varies depending on national regulations

**0° over rear with additional equipment

Optional equipment

- Work lights, mounted on boom base section
- Boom mounted aircraft warning light
- Hook blocks/headache ball
- 360° NYC swing lock
- Boom removal kit
- 3.3 ft (1 m) adapter which can be used to make up 11.5 ft (3,5 m) or 24.6 ft (7,5 m) heavy duty jib

SPECIFICATIONS

Carrier



Chassis

Special 6-axle chassis, all-welded torsion-resistant box type construction in high strength steel



Transmission

ZF Traxon, 12 forward and 2 reverse speeds, electronic automatic shifting.



Outrigger System

Four hydraulic two stage outrigger beams with vertical cylinders and outrigger pads, 27.6 in (700 mm) round.

Outrigger can be set in 5 positions:

Full: 27.9 ft (8,5 m)

Partial: 24.3 ft (7,4 m)

Partial: 20.7 ft (6,3 m)

Partial: 16.4 ft (5,0 m)

Retracted: 8.9 ft (2,7 m)

Independent horizontal and vertical movement controlled from each side of carrier and the superstructure cab. Electronic crane level indicators with auto level. Optional hydraulic disconnect for front outrigger beams and removable rear outrigger box. Work light for each outrigger beam and outrigger pad load indicator with read out on both sides of carrier and in superstructure cabin. Includes outrigger monitoring system.



Drive/Steer

12 x 8 x 12

*MegaDrive™

Hydrostatic hybrid drive system with axles 4 and 5 hydrostatically driven. Axles disconnect at speeds greater than 16 mph (25 km/h) and connect at speeds below 12 mph (20 km/h).



Suspension

Grove exclusive MEGATRAK™ suspension. Independent hydro-pneumatic system acting on all wheels with hydraulic lockout.

Suspension can be raised 6.7 in (170 mm) or lowered 5.1 in (130 mm), both longitudinally and transversely. Features an automatic leveling system for highway travel. Active suspension control on outrigger control units.



Cab

Composite designed aluminum and fiber reinforced plastic, 2-man-design, safety glass, driver seat with pneumatic suspension, engine-dependent hot water heater. Complete instrumentation and driving controls. Reversing camera system. Air conditioning. 12 V plug. Two strobe lights. Fire extinguisher.



Axles

1st axle line – drive/steer

2nd axle line – drive/steer

3rd axle line – steer

4th axle line – drive/steer (disconnects >16 mph [25 km/h])

5th axle line – drive/steer (disconnects >16 mph [25 km/h])

6th axle line – steer

Axles 1 and 2 with planetary hub reduction and center mounted gearing

Axles 4 and 5 MegaDrive™



Tires

12 tires, 14.00R25 (385/95R25) tires (vehicle width. 9.8 ft [3 m])



Steering

Dual circuit, hydraulic power assisted steering system. Transfer case mounted, ground driven emergency steering pump. Axles 1, 2, 5 and 6 steer on highway, axles 4 and 5 disconnect at speeds greater than 16 mph (25 km/h). Separate steering (steer by wire) of the 3rd to 6th axles for all wheel and crab steering, controlled by an electronic rocker switch.

SPECIFICATIONS



Engine

Mercedes-Benz OM473LA.E5, 6-cylinder In-line Diesel Engine, EU Stage V
Horsepower: 577 hp (430 KW) at 1600 rpm
Torque max.: 2102 ft/lb (2850 Nm) at 1300 rpm
Engine emissions stage: Euromot V /T4F (Off Highway)



Fuel Tank Capacity

172 gal (650 L)



Brakes

Service brakes: pneumatic dual circuit acting on all wheels. Parking brake: pneumatically operated spring loaded brake acting on axle lines 2, 4, 5 and 6. Air dryer.



Electrical System

24V system with three phase alternator, 28V/100A, 2 batteries, 12V/170 Ah.



Maximum Speed

53 mph (85 km/h)

Miscellaneous standard equipment

Work lights; tool kit; fire extinguishers; wind speed indicator.

* Optional equipment

- 16.00R25 (445/95R25) (vehicle width – 9.8 ft [3,0 m])
- 20.5R25 (525/80R25) tires (vehicle width – 10.2 ft [3,1 m])
- Hydraulic retarder integrated into gear box
- Spare tire and wheel with carry bracket
- Trailer hitch
- Steel outrigger pads
- Engine shut down valve

The Manitowoc Company, Inc.

Regional headquarters

Americas

Milwaukee, Wisconsin, USA
Tel: +1 414 760 4600

Shady Grove, Pennsylvania, USA
Tel: +1 717 597 8121

Europe and Africa

Dardilly, France - TOWERS
Tel: +33 (0) 4 72 18 20 20

Wilhelmshaven, Germany - MOBILE
Tel: +49 (0) 4421 294 0

APAC

Shanghai, China
Tel: +86 21 6457 0066

Singapore

Tel: +65 6264 1188

Middle East and India

Dubai, UAE
Tel: +971 4 8862677

© 2026 The Manitowoc Company, Inc.
Form No. GMK6450-1 PG
Part No. 1150.26-001-GU/.025M/0626

This document is non-contractual. Constant improvement and engineering progress make it necessary that we reserve the right to make specification, equipment, and price changes without notice. Illustrations shown may include optional equipment and accessories and may not include all standard equipment.



[manitowoc.com](https://www.manitowoc.com)