

BILL OF MATERIAL							
ITEM NO.	NO. REQ'D	SECTION	DESCRIPTION	LENGTH FT. IN.	MATERIAL	CODE NO. OR DWG. NO.	REMARKS

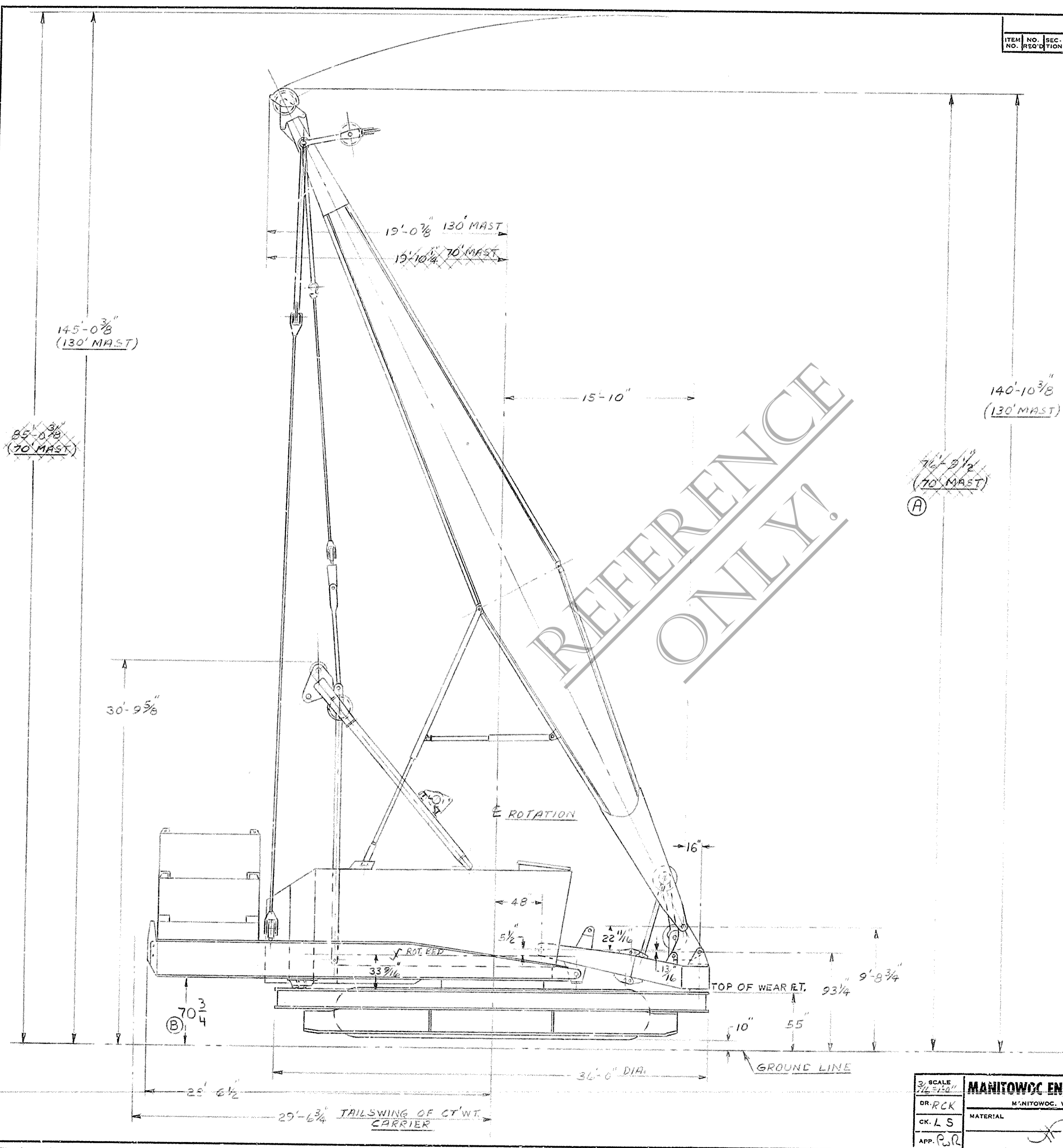
ASSEMBLIES USED ON

REVISIONS
12-4-72 RCK A 70' MAST DELETED
3-20-80 JHS B ADDED

DWG. NO. 181553
SHT. 1 OF 2

DATE 10-20-71
PATTERN NO.

CODE NO.
DWG. NO. 181553
SHT. 1 OF 2



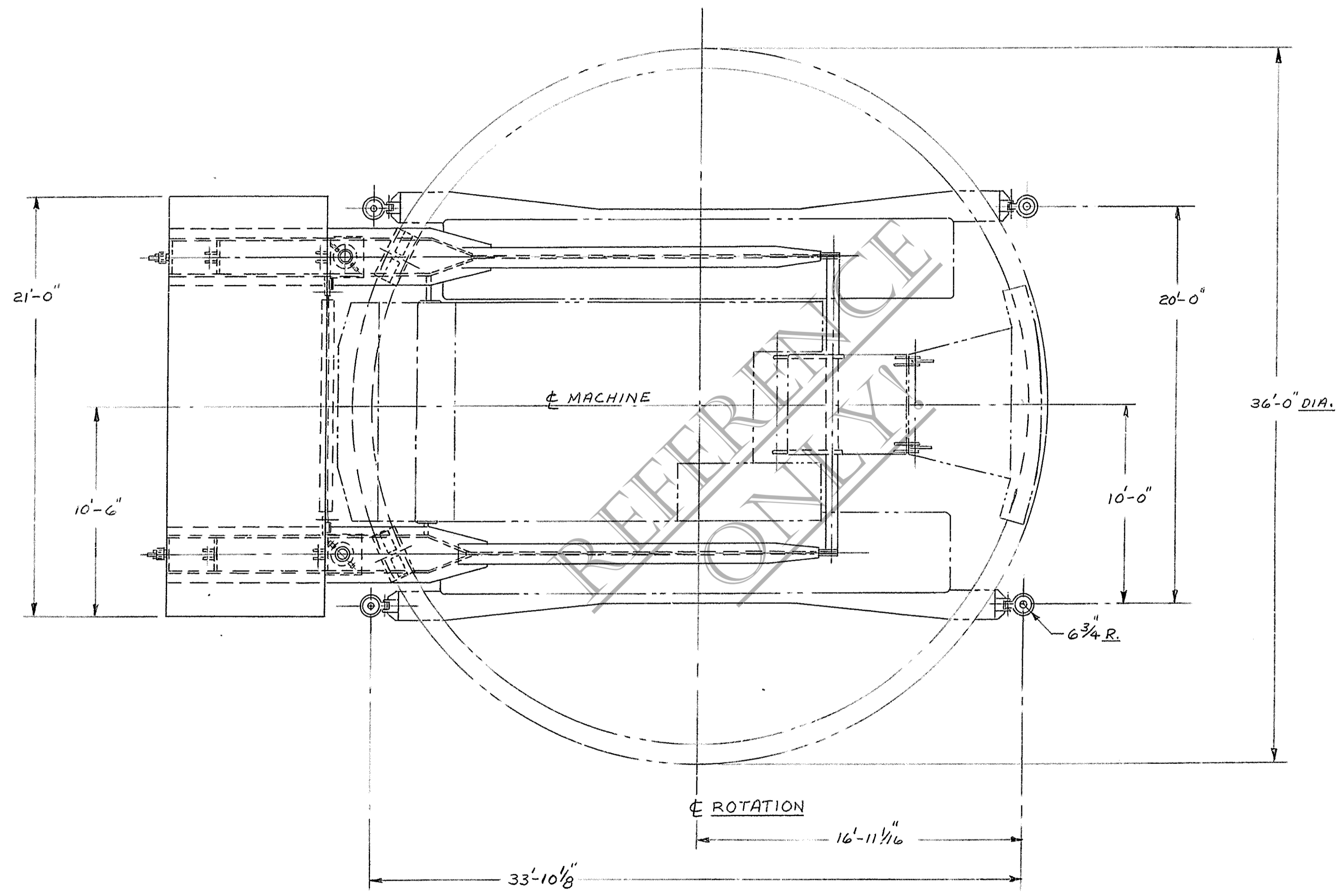
SCALE 3/16" = 1'-0"	MANITOWOC ENGINEERING CO.	OUTLINE DIMENSIONS
DR. RCK	MANITOWOC, WISCONSIN	FOR 70' & 130' MAST
CK. L S	MATERIAL	
APP. P. R.		MODEL 4100-W RINGER-SERIES III

DO NOT SCALE THIS DRAWING

BILL OF MATERIAL					
ITEM NO.	SEC. NO.	DESCRIPTION	LENGTH		REMARKS
			FT.	IN.	

ASSEMBLIES USED ON

REVISIONS
 12-4-72 RCK
 (A) 70EI MAST DELETED



DWG. NO.
 181553
 SHT. 2 OF 2

DATE
 10-20-71

SCALE 1/4" = 1'-0"	MANITOWOC ENGINEERING CO. MANITOWOC, WISCONSIN	OUTLINE DIMENSIONS	PATTERN NO.
DR. R.C.K.		FOR 70EI & 130FT MAST	CODE NO.
CK. L.S.	MATERIAL	(A)	DWG. NO. 181553
APP. P.W.R.	MODEL 4-100-W RINGER-SERIES III	(A)	SHT. 2 OF 2

DO NOT SCALE THIS DRAWING