

ROTATING UPPERWORKS WEIGHT AND CENTER OF GRAVITY (WU)			
EQUIPPED AS	WEIGHT (lbs)	DIM "A" (in.)	DIM "B" (in.)
15000 SERIES 1 (67 990 kg CTWT)	209.812	139.1	-11.4
15000 SERIES 2 (83 870 kg CTWT)	244.812	144.9	-4.1
15000 SERIES 3 (99 740 kg CTWT)	279.812	149.2	4.2
15000 SERIES 4 (107 680 kg CTWT)	297.812	151.0	8.7
LOWERWORKS WEIGHT AND CENTER OF GRAVITY (WL)			
EQUIPPED AS	WEIGHT (lbs)	DIM "C" (in.)	DIM "D" (in.)
15000 SERIES 1	110.474	0	-73.7
15000 SERIES 2 (19 960 kg CTWT)	154.474	0	-74.4
15000 SERIES 3 (36 290 kg CTWT)	190.474	0	-71.7
15000 SERIES 4 (52 160 kg CTWT)	225.474	0	-72.3

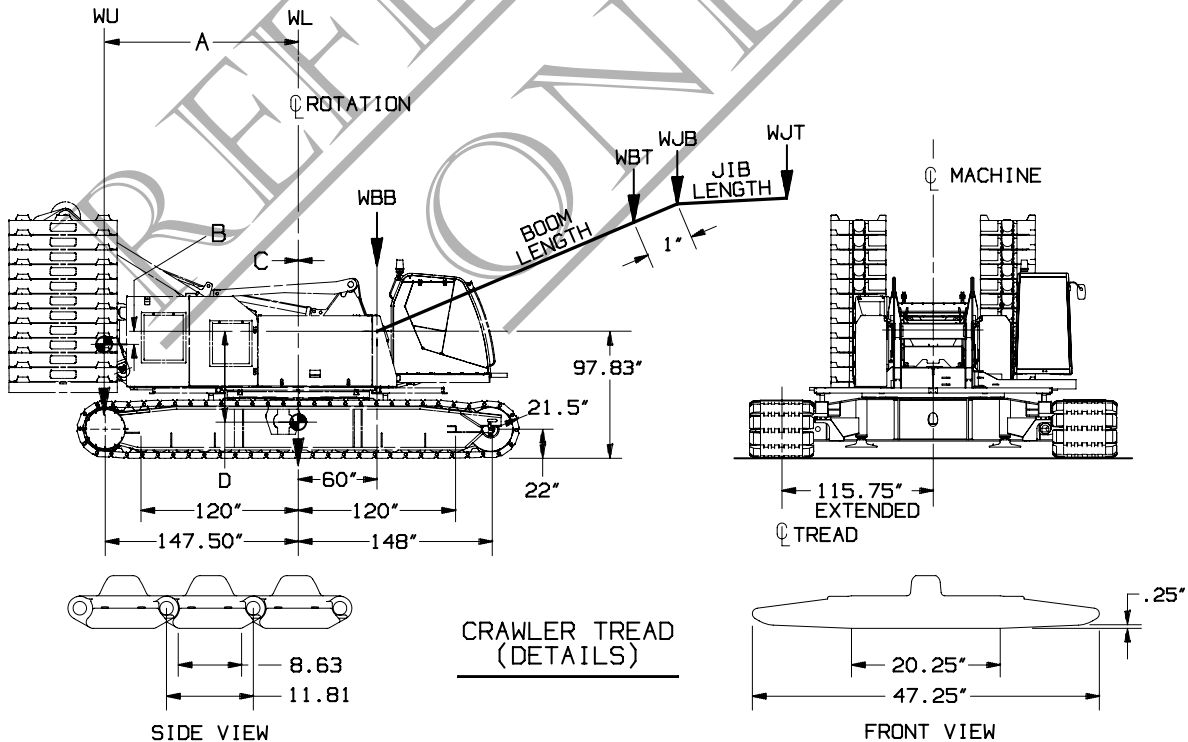
BOOM WEIGHTS			BOOM WEIGHTS		
BOOM LENGTH (ft.)	#57 FOR JIB		BOOM LENGTH (ft.)	#57	
	WBB (lbs)	WBT (lbs)		WBB (lbs)	WBT (lbs)
70.5	21,964	17,181	70.5	21,891	18,362
80.4	24,031	18,027	80.4	23,966	19,198
90.2	25,734	18,756	90.2	25,676	19,920
100.1	26,627	18,559	100.1	26,575	20,017
109.9	28,217	19,707	109.9	28,169	20,860
119.8	28,919	20,011	119.8	28,875	21,161
129.6	30,102	20,482	129.6	30,062	21,628
139.4	30,710	20,886	139.4	30,673	22,029
149.3	32,240	21,797	149.3	32,205	22,937
159.1	32,762	22,290	159.1	32,729	23,428
169.0	33,809	22,878	169.0	33,778	24,014
178.8	34,296	23,409	178.8	34,267	24,543
188.7	35,830	24,315	188.7	35,802	25,447
198.5	36,266	24,899	198.5	36,240	26,030
208.3	37,253	25,550	208.3	37,228	26,680
218.2	37,675	26,148	218.2	37,651	27,277
228.0	39,202	27,062	228.0	39,179	28,190
237.9	39,590	27,696	237.9	39,568	28,823
247.7	40,543	27,406	247.7	40,522	28,532
257.6	40,926	28,046	257.6	40,905	29,171
267.4	42,461	28,951	267.4	42,441	30,075
277.2	42,819	29,617	277.2	42,800	30,740
			287.1	43,732	31,449

#134 JIB WEIGHTS		
LENGTH (ft.)	WJB (lbs)	WJT (lbs)
30	2,354	1,252
40	2,644	1,492
50	2,927	1,740
60	3,205	1,993
70	3,481	2,248
80	3,756	2,506

NOTE 1: BOOM AND JIB WEIGHTS INCLUDE WEIGHT OF MAST, BOOM, JIB, STRAPS, PENDANTS ETC.; BUT DO NOT INCLUDE WEIGHT OF LOAD, LOAD BLOCK, WEIGHT BALL, SLINGS, ETC. ALL ITEMS SUSPENDED FROM BOOM AND JIB MUST BE CONSIDERED PART OF THE LOAD.

NOTE 3: CONSULT PROPER CRANE CAPACITY CHART FOR LIFTING CAPACITIES AND ALLOWABLE BOOM AND JIB COMBINATIONS.

CAUTION: NOT TO BE USED FOR CRANE RATING PURPOSES.



DATE 2-1-10	SCALE DR. JLD	MANITOWOC CRANES, INC. MANITOWOC, WISCONSIN	C G CHART
DWG. NO. T.S. 340	CK. JLD APP.		MODEL 15000
			BOOM NO. 57