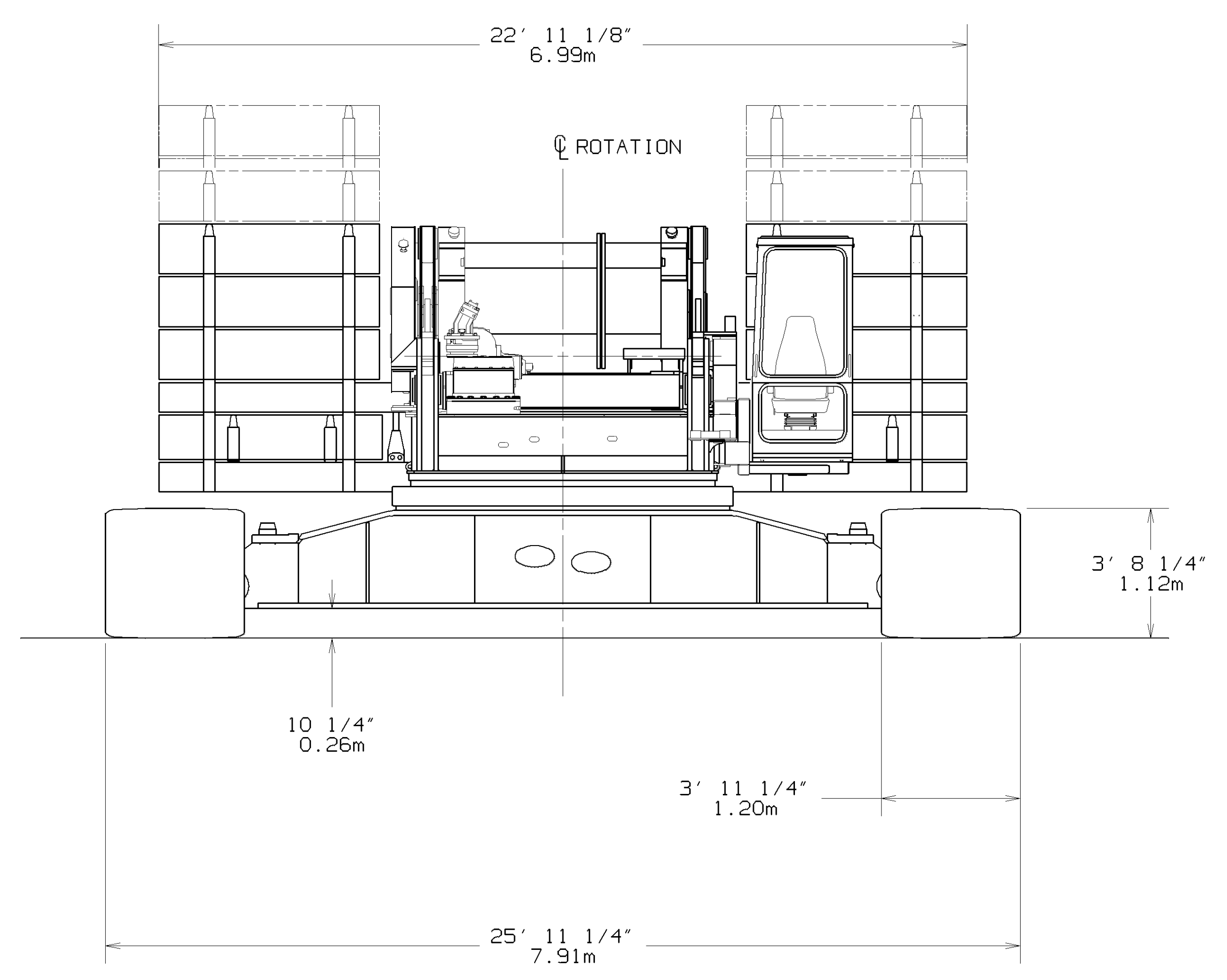
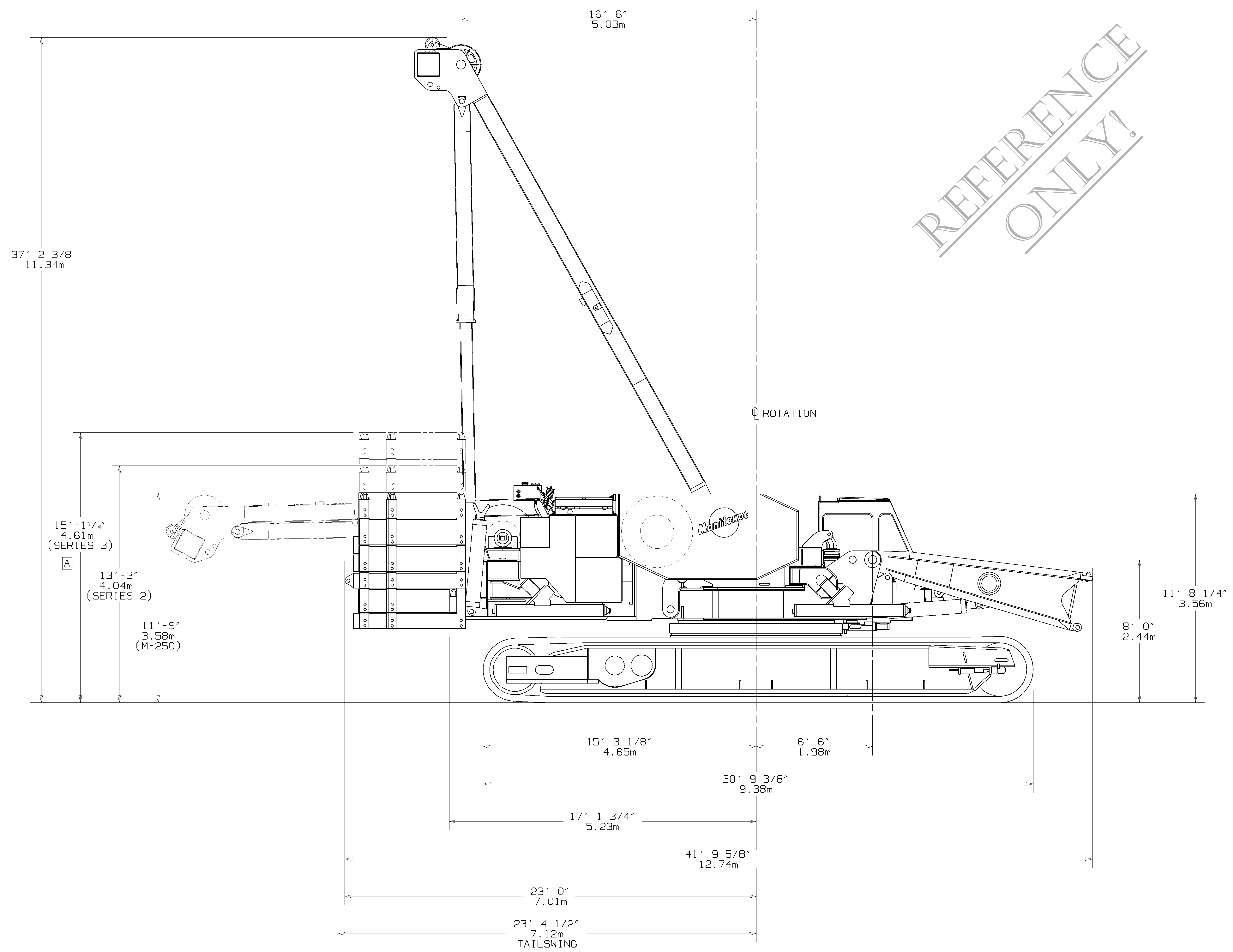


BILL OF MATERIAL			
ITEM NO.	QTY	DESCRIPTION	UNIT

REVISIONS
04-02-02 NVS A ADDED SERIES 3

REFERENCE  
ONLY!



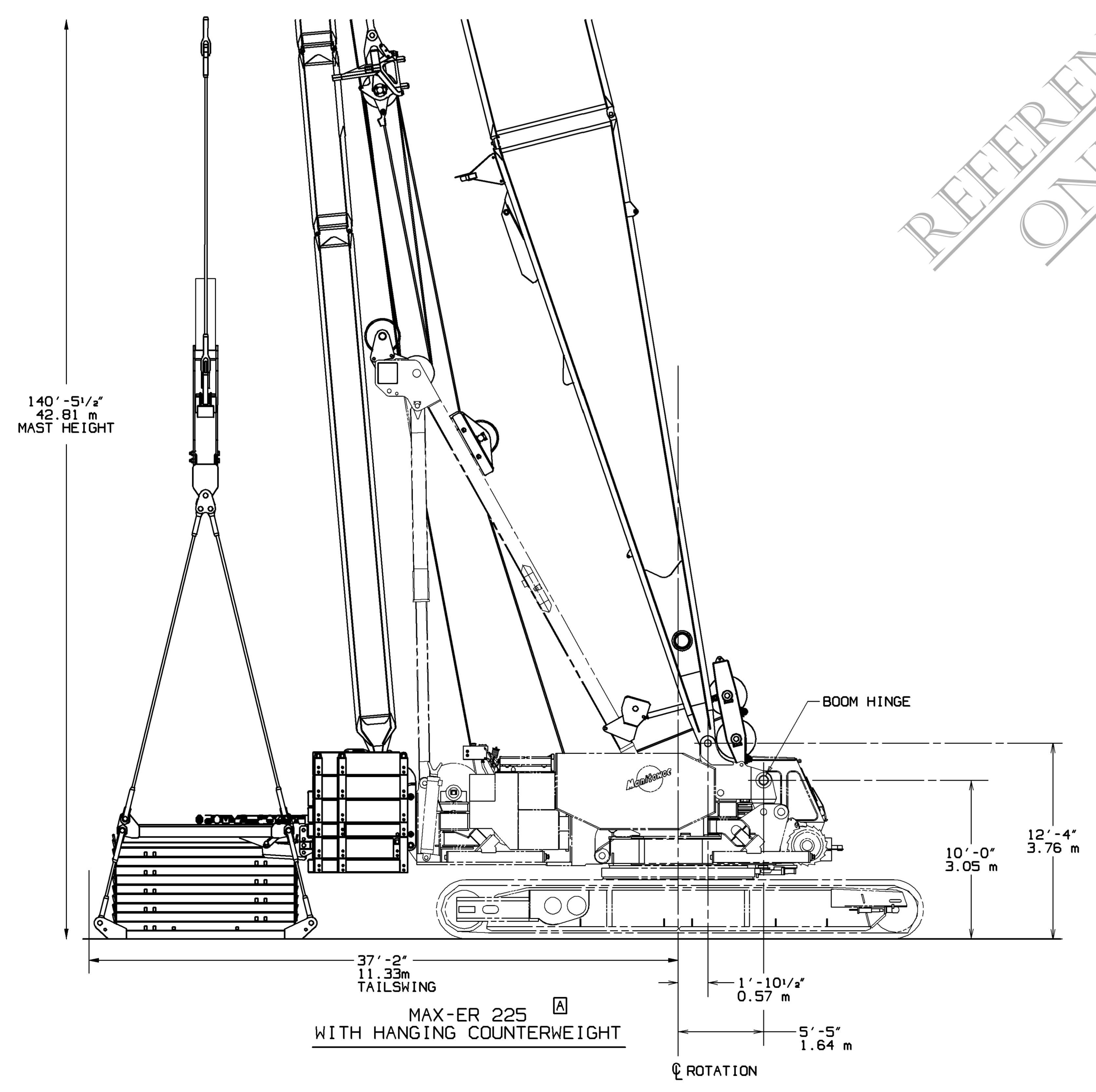
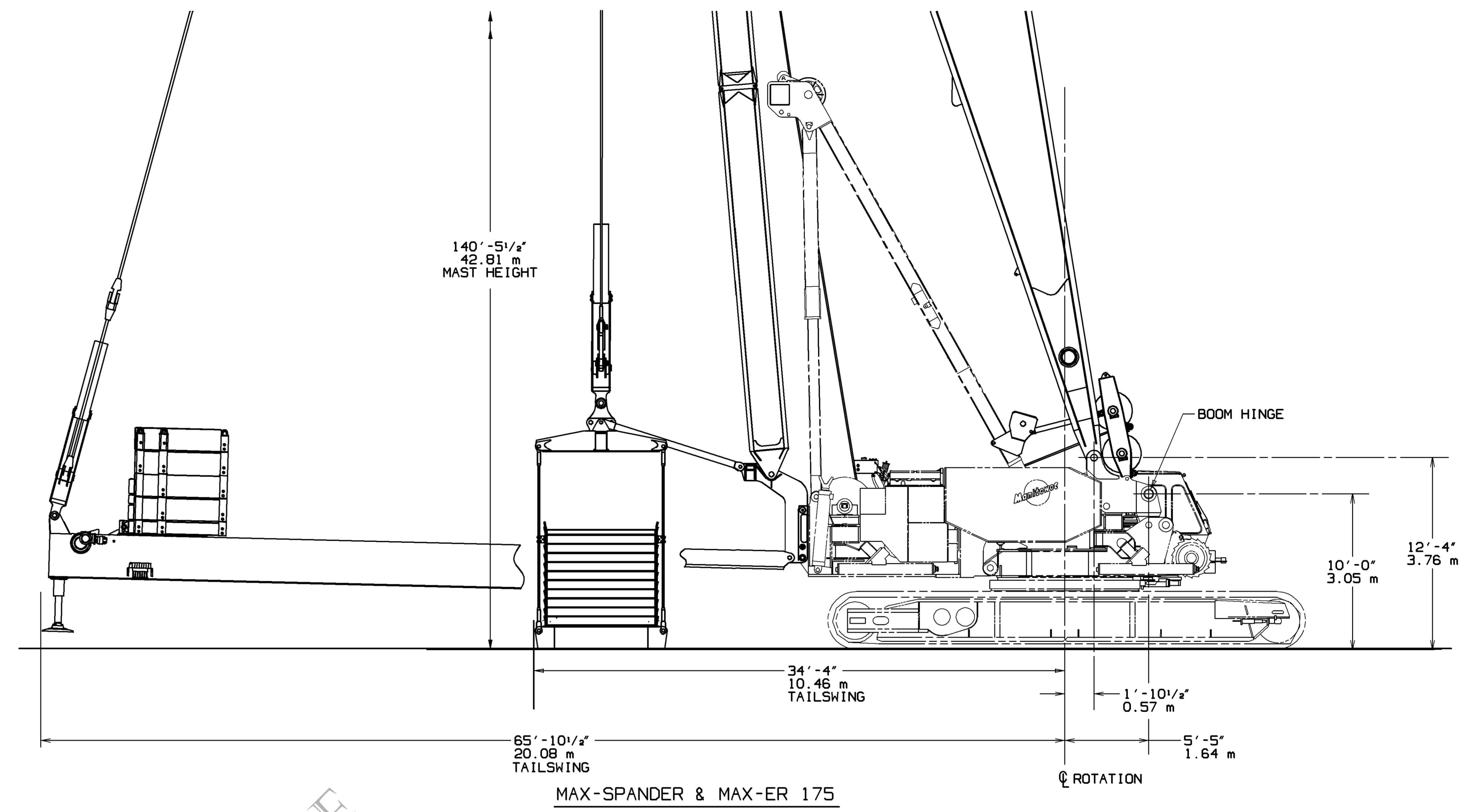
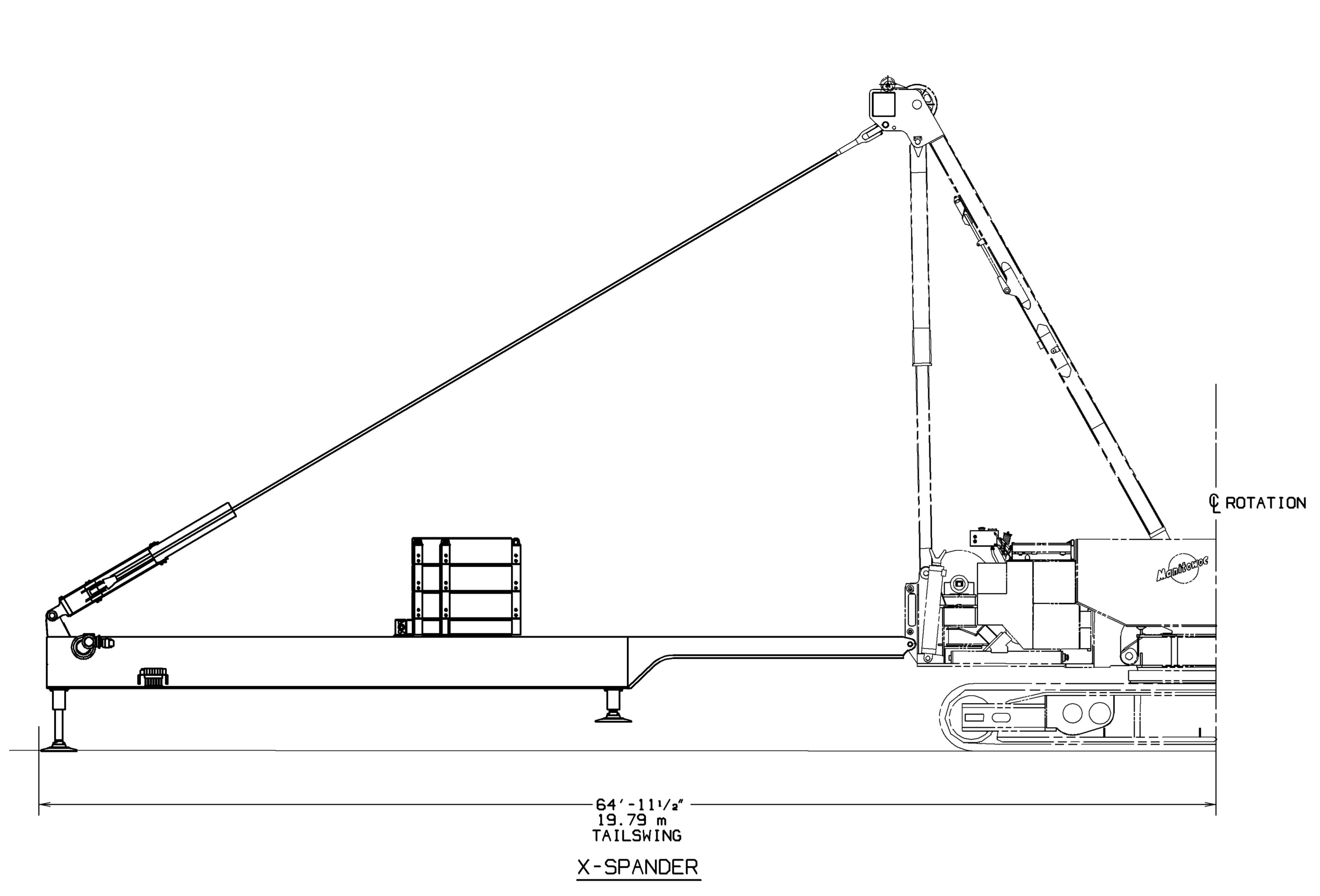
SUPERSEDES 173147 OF 7-8-94

SCALE 3/8"=1FT	Manitowoc Cranes, Inc. Manitowoc, Wisconsin	CRANE OUTLINE
DR. NVS	MODEL M-250	DIMENSIONS
APP. NVS	M-250 SERIES-2 & 3	173147

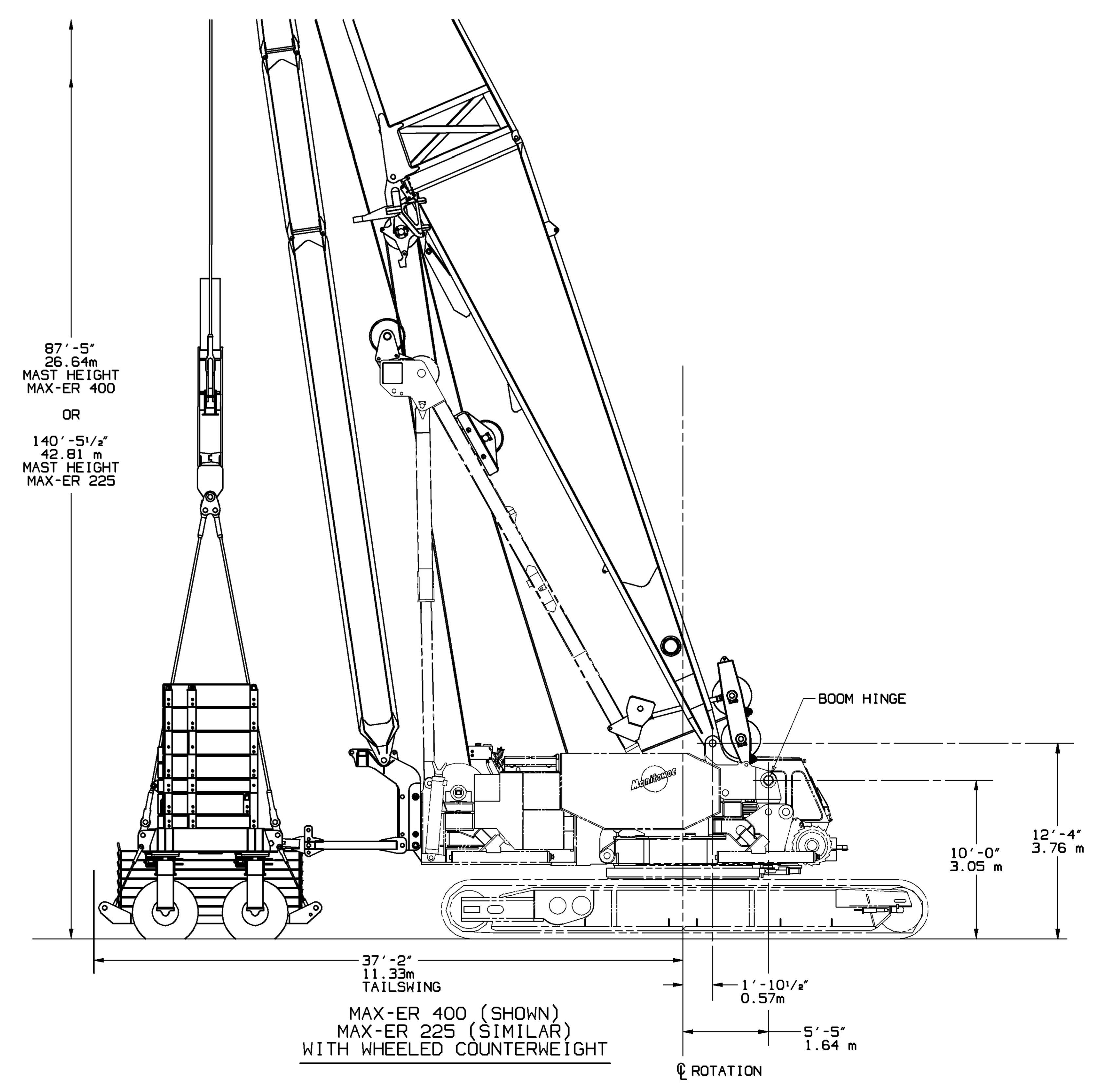
DATE 12-19-94
PATTERN NO.
DRG. NO. 173147
SHT 1 OF 2

BILL OF MATERIAL			
QTY	DESC	MATERIAL	UNIT

REVISIONS  
3-27-95 NVS  
A) ADDED  
MAX-ER 225



REFERENCE ONLY!



DWG. NO.  
173147  
SHT 2 OF 2

SUPERSEDES 173147 OF 7-8-94

SCALE 3/8"=1'	Mantowoc Cranes, Inc.	DATE 12-19-94
DR. NVS	Mantowoc, Wisconsin	PATTERN NO.
DC. NVS	MOD. M-250 ATTACHMENTS	CRANE OUTLINE
APP. NVS	173147	DIMENSIONS

DO NOT SCALE THIS DRAWING

SHT 2 OF 2