

ROTATING UPPERWORKS WEIGHT AND CENTER OF GRAVITY (WU)			
EQUIPPED AS	WEIGHT (lbs)	DIM "A" (in.)	DIM "B" (in.)
MLC165 SERIES 2 (156,750 lb. CTWT)	188,188	137.1	22.2
LOWERWORKS WEIGHT AND CENTER OF GRAVITY (WL)			
EQUIPPED AS	WEIGHT (lbs)	DIM "C" (in.)	DIM "D" (in.)
MLC165 SERIES 2	124,138	0	-53.5
MLC165 SERIES 2 - WITH OPTIONAL CARBODY JACKS	127,677	0	-53.4

BOOM WEIGHTS		
BOOM LENGTH (ft.)	#74	
	WBB (lbs)	WBT (lbs)
68.9	11,494	16,584
78.7	12,529	17,230
88.6	13,193	17,563
98.4	14,221	18,173
108.3	14,490	18,334
118.1	15,489	19,018
128.0	16,028	19,482
137.8	17,012	20,182
147.6	17,097	19,680
157.5	18,098	20,362
167.3	18,407	19,658

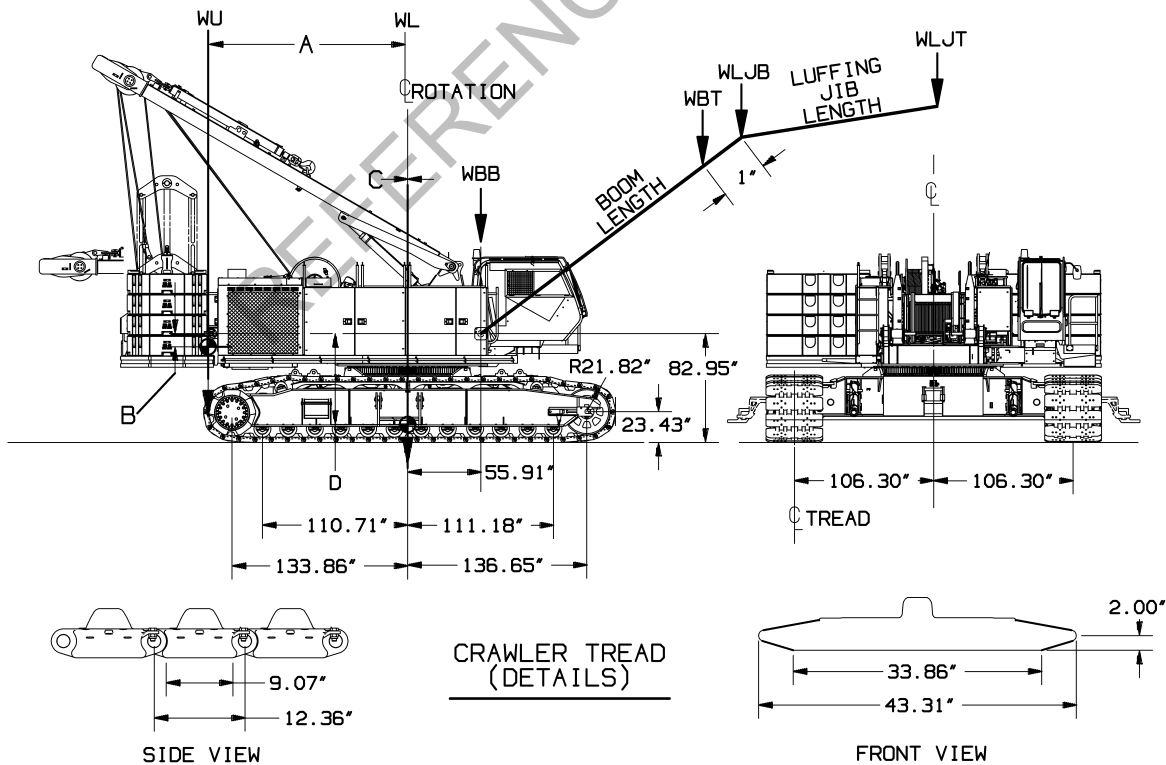
#135 LUFFING JIB WEIGHTS		
LENGTH (ft.)	WLJB (lbs)	WLJT (lbs)
70	9,612	5,902
80	10,134	6,321
90	10,415	6,594
100	10,934	7,016
110	10,883	7,111
120	11,419	7,517
130	11,668	7,821
140	12,205	8,225
150	12,236	8,376
160	12,787	8,767
170	13,025	9,082

NOTE 1: BOOM AND JIB WEIGHTS INCLUDE WEIGHT OF BOOM, JIB, PENDANTS ETC.; BUT DO NOT INCLUDE WEIGHT OF LOAD, LOAD BLOCK, WEIGHT BALL, SLINGS, ETC. ALL ITEMS SUSPENDED FROM BOOM OR JIB MUST BE CONSIDERED PART OF THE LOAD.

NOTE 2: FOR #74 BOOM ONLY, WEIGHTS FOR 68.9 THRU 137.8 FT. BOOMS INCLUDE A 6 SHEAVE BOOM POINT, 147.6 FT THRU 167.3 FT BOOM INCLUDES A 3 SHEAVE BOOM POINT.

NOTE 3: CONSULT PROPER CRANE CAPACITY CHART FOR LIFTING CAPACITIES AND ALLOWABLE BOOM AND JIB COMBINATIONS.

CAUTION: NOT TO BE USED FOR CRANE RATING PURPOSES.



DATE 5-19-14	SCALE NONE DR. DJS	MANITOWOC CRANES, INC. MANITOWOC, WISCONSIN	C G CHART
DWG. NO. T.S. 357	CK. X X X APP.	MODEL MLC165	43" TREADS
			BOOM NO. 74
			LUFFING JIB NO. 135